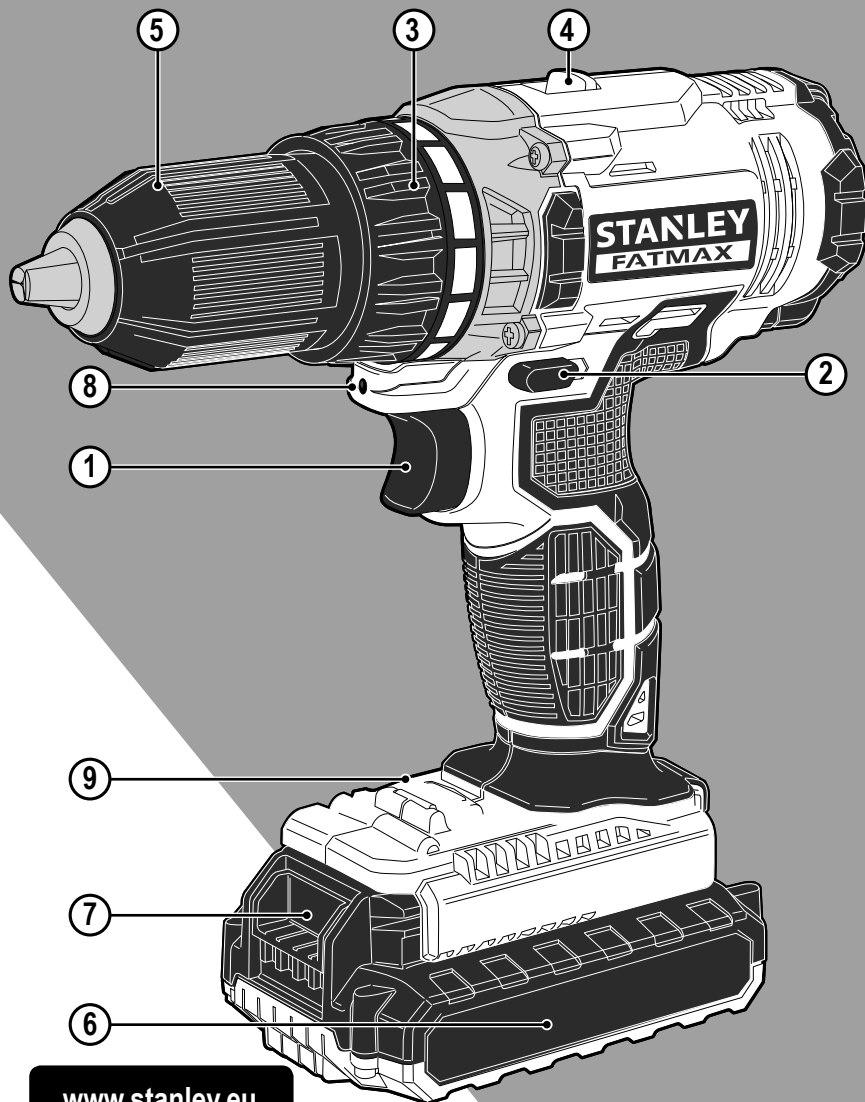


# STANLEY<sup>®</sup>

## FATMAX<sup>®</sup>

EN

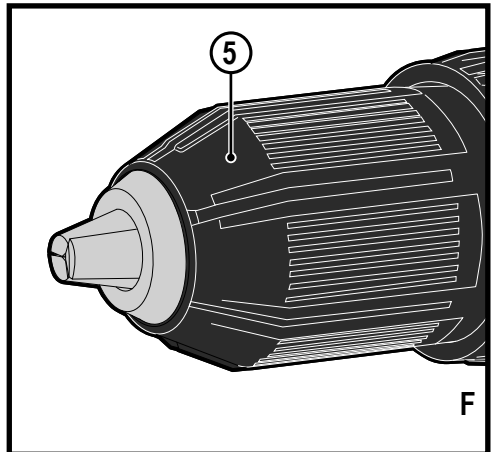
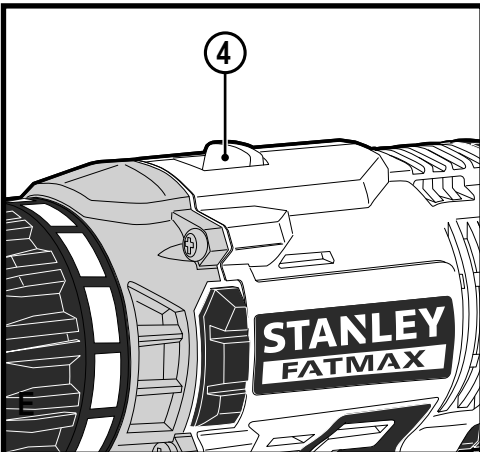
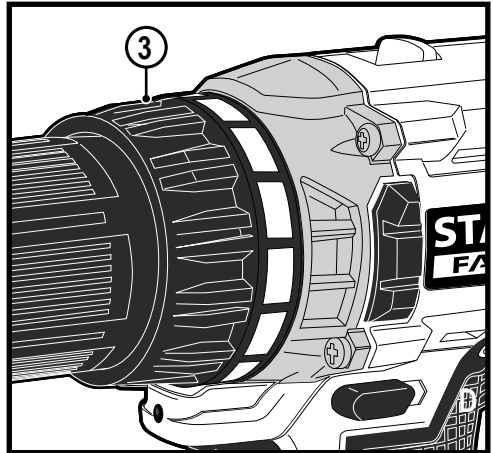
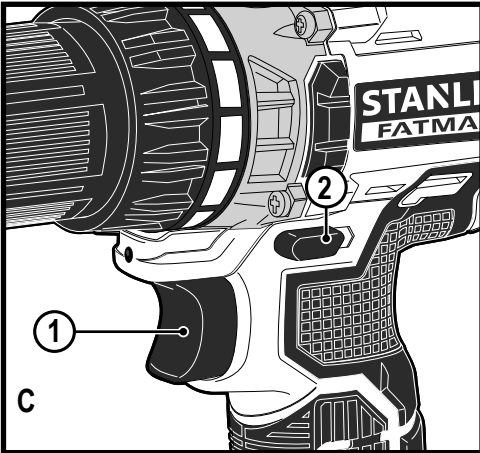
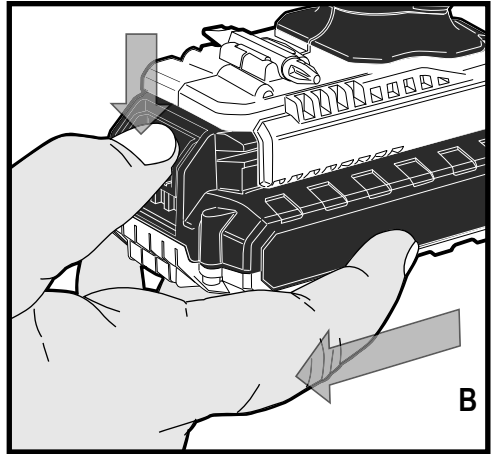
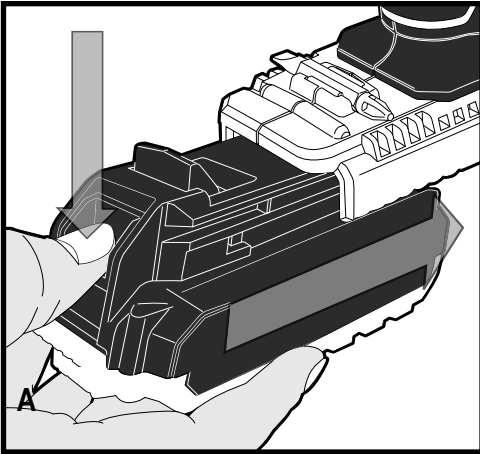
UA



[www.stanley.eu](http://www.stanley.eu)

503913 - 59

FMC601



## Intended use

Your Stanley Fat Max FMC601 drill/screwdriver has been designed for screwdriving applications and for drilling in wood, metal and plastics. This appliance is intended for professional and private, non professional users.

## Safety instructions

### General power tool safety warnings



**Warning!** Read all safety warnings and all instructions. Failure to follow the warnings and instructions listed below may result in electric shock, fire and/or serious injury.

### Save all warnings and instructions for future reference.

The term "power tool" in all of the warnings listed below refers to your mains operated (corded) power tool or battery operated (cordless) power tool.

#### 1. Work area safety

- a. **Keep work area clean and well lit.** Cluttered or dark areas invite accidents.
- b. **Do not operate power tools in explosive atmospheres, such as in the presence of flammable liquids, gases or dust.** Power tools create sparks which may ignite the dust or fumes.
- c. **Keep children and bystanders away while operating a power tool.** Distractions can cause you to lose control.

#### 2. Electrical safety

- a. **Power tool plugs must match the outlet. Never modify the plug in any way. Do not use any adapter plugs with earthed (grounded) power tools.** Unmodified plugs and matching outlets will reduce risk of electric shock.
- b. **Avoid body contact with earthed or grounded surfaces such as pipes, radiators, ranges and refrigerators.** There is an increased risk of electric shock if your body is earthed or grounded.
- c. **Do not expose power tools to rain or wet conditions.** Water entering a power tool will increase the risk of electric shock.
- d. **Do not abuse the cord. Never use the cord for carrying, pulling or unplugging the power tool. Keep cord away from heat, oil, sharp edges or moving parts.** Damaged or entangled cords increase the risk of electric shock.
- e. **When operating a power tool outdoors, use an extension cord suitable for outdoor use.** Use of a cord suitable for outdoor use reduces the risk of electric shock.
- f. **If operating a power tool in a damp location is unavoidable, use a residual current device (RCD) protected supply.** Use of an RCD reduces the risk of electric shock.

#### 3. Personal safety

- a. **Stay alert, watch what you are doing and use common sense when operating a power tool. Do not use a power tool while you are tired or under the influence of drugs, alcohol or medication.** A moment of inattention while operating power tools may result in serious personal injury.
  - b. **Use personal protective equipment. Always wear eye protection.** Protective equipment such as dust mask, non-skid safety shoes, hard hat, or hearing protection used for appropriate conditions will reduce personal injuries.
  - c. **Prevent unintentional starting. Ensure the switch is in the off-position before connecting to power source and/or battery pack, picking up or carrying the tool.** Carrying power tools with your finger on the switch or energising power tools that have the switch on invites accidents.
  - d. **Remove any adjusting key or wrench before turning the power tool on.** A wrench or a key left attached to a rotating part of the power tool may result in personal injury.
  - e. **Do not overreach. Keep proper footing and balance at all times.** This enables better control of the power tool in unexpected situations.
  - f. **Dress properly. Do not wear loose clothing or jewellery. Keep your hair, clothing and gloves away from moving parts.** Loose clothes, jewellery or long hair can be caught in moving parts.
  - g. **If devices are provided for the connection of dust extraction and collection facilities, ensure these are connected and properly used.** Use of dust collection can reduce dust-related hazards.
- #### 4. Power tool use and care
- a. **Do not force the power tool. Use the correct power tool for your application.** The correct power tool will do the job better and safer at the rate for which it was designed.
  - b. **Do not use the power tool if the switch does not turn it on and off.** Any power tool that cannot be controlled with the switch is dangerous and must be repaired.
  - c. **Disconnect the plug from the power source and/or the battery pack from the power tool before making any adjustments, changing accessories, or storing power tools.** Such preventive safety measures reduce the risk of starting the power tool accidentally.
  - d. **Store idle power tools out of the reach of children and do not allow persons unfamiliar with the power tool or these instructions to operate the power tool.** Power tools are dangerous in the hands of untrained users.
  - e. **Maintain power tools. Check for misalignment or binding of moving parts, breakage of parts and any**

other condition that may affect the power tools operation. If damaged, have the power tool repaired before use. Many accidents are caused by poorly maintained power tools.

- f. **Keep cutting tools sharp and clean.** Properly maintained cutting tools with sharp cutting edges are less likely to bind and are easier to control.
  - g. **Use the power tool, accessories and tool bits etc. in accordance with these instructions, taking into account the working conditions and the work to be performed.** Use of the power tool for operations different from those intended could result in a hazardous situation.
5. **Battery tool use and care**
    - a. **Recharge only with the charger specified by the manufacturer.** A charger that is suitable for one type of battery pack may create a risk of fire when used with another battery pack.
    - b. **Use power tools only with specifically designated battery packs.** Use of any other battery packs may create a risk of injury and fire.
    - c. **When battery pack is not in use, keep it away from other metal objects, like paper clips, coins, keys, nails, screws, or other small metal objects, that can make a connection from one terminal to another.** Shorting the battery terminals together may cause burns or a fire.
    - d. **Under abusive conditions, liquid may be ejected from the battery; avoid contact. If contact accidentally occurs, flush with water. If liquid contacts eyes, additionally seek medical help.** Liquid ejected from the battery may cause irritation or burns.
  6. **Service**
    - a. **Have your power tool serviced by a qualified repair person using only identical replacement parts.** This will ensure that the safety of the power tool is maintained.

### Additional power tool safety warnings



**Warning!** Additional safety warnings for drills/screwdrivers

- ◆ **Use auxiliary handles supplied with the tool.** Loss of control can cause personal injury.
- ◆ **Hold power tool by insulated gripping surfaces when performing an operation where the cutting accessory may contact hidden wiring.** Cutting accessory contacting a "live" wire may make exposed metal parts of the power tool "live" and could give the operator an electric shock.
- ◆ **Hold power tool by insulated gripping surfaces, when performing an operation where the fastener may contact hidden wiring.** Fasteners contacting a "live" wire

may make exposed metal parts of the power tool "live" and could give the operator an electric shock.

- ◆ **Use clamps or another practical way to secure and support the workpiece to a stable platform.** Holding the work by hand or against your body leaves it unstable and may lead to loss of control.
- ◆ Before drilling into walls, floors or ceilings, check for the location of wiring and pipes.
- ◆ Avoid touching the tip of a drill bit just after drilling, as it may be hot.
- ◆ The intended use is described in this instruction manual. The use of any accessory or attachment or performance of any operation with this tool other than those recommended in this instruction manual may present a risk of personal injury and/or damage to property.

### Safety of others

- ◆ This tool is not intended for use by persons (including children) with reduced physical, sensory or mental capabilities, or lack of experience and knowledge, unless they have been given supervision or instruction concerning use of the tool by a person responsible for their safety.
- ◆ Children should be supervised to ensure that they do not play with the appliance.

### Residual risks

Additional residual risks may arise when using the tool which may not be included in the enclosed safety warnings. These risks can arise from misuse, prolonged use etc.

Even with the application of the relevant safety regulations and the implementation of safety devices, certain residual risks can not be avoided. These include:

- ◆ Injuries caused by touching any rotating/moving parts.
- ◆ Injuries caused when changing any parts, blades or accessories.
- ◆ Injuries caused by prolonged use of a tool. When using any tool for prolonged periods ensure you take regular breaks.
- ◆ Impairment of hearing.
- ◆ Health hazards caused by breathing dust developed when using your tool (example:- working with wood, especially oak, beech and MDF.)

### Vibration

The declared vibration emission values stated in the technical data and the declaration of conformity have been measured in accordance with a standard test method provided by EN 60745 and may be used for comparing one tool with another. The declared vibration emission value may also be used in a preliminary assessment of exposure.

**Warning!** The vibration emission value during actual use of the power tool can differ from the declared value depending on the ways in which the tool is used. The vibration level may increase above the level stated.



When assessing vibration exposure to determine safety measures required by 2002/44/EC to protect persons regularly using power tools in employment, an estimation of vibration exposure should consider, the actual conditions of use and the way the tool is used, including taking account of all parts of the operating cycle such as the times when the tool is switched off and when it is running idle in addition to the trigger time.

### Labels on tool

The following symbols are shown on the tool along with the date code:



**Warning!** To reduce the risk of injury, the user must read the instruction manual.

### Additional safety instructions for batteries and chargers (Not provided with the tool)

#### Batteries

- ◆ Never attempt to open for any reason.
- ◆ Do not expose the battery to water.
- ◆ Do not store in locations where the temperature may exceed 40 °C.
- ◆ Charge only at ambient temperatures between 10 °C and 40 °C.
- ◆ Charge only using the charger provided with the tool.
- ◆ When disposing of batteries, follow the instructions given in the section "Protecting the environment".



Do not attempt to charge damaged batteries.

#### Chargers

- ◆ Use your Stanley Fat Max charger only to charge the battery in the tool with which it was supplied. Other batteries could burst, causing personal injury and damage.
- ◆ Never attempt to charge non-rechargeable batteries.
- ◆ Have defective cords replaced immediately.
- ◆ Do not expose the charger to water.
- ◆ Do not open the charger.
- ◆ Do not probe the charger.



The charger is intended for indoor use only.



Read the instruction manual before use.

### Electrical safety



Your charger is double insulated; therefore no earth wire is required. Always check that the mains voltage corresponds to the voltage on the rating plate. Never attempt to replace the charger unit with a regular mains plug.

- ◆ If the supply cord is damaged, it must be replaced by the manufacturer or an authorised Stanley Fat Max Service Centre in order to avoid a hazard.

### Features

This appliance includes some or all of the following features.

1. Trigger Switch
2. Forward/Reverse Button
3. Torque Adjust Collar
4. Dual Range Gear Selector
5. Keyless Chuck
6. Battery
7. Battery Release Button
8. LED Work Light
9. Bit Tip Holder

### Use

**Warning!** Let the tool work at its own pace. Do not overload.

### Charging the battery

The battery needs to be charged before first use and whenever it fails to produce sufficient power on jobs that were easily done before. The battery may become warm while charging; this is normal and does not indicate a problem.

**Warning!** Do not charge the battery at ambient temperatures below 10 °C or above 40 °C. Recommended charging temperature: approx. 24 °C.

**Note:** The charger will not charge a battery if the cell temperature is below approximately 10 °C or above 40 °C.

The battery should be left in the charger and the charger will begin to charge automatically when the cell temperature warms up or cools down.

- ◆ Plug the charger into an appropriate outlet before inserting the battery pack.
- ◆ Insert the battery pack into the charger.



The green LED will flash indicating that the battery is being charged.



The completion of charge is indicated by the green LED remaining on continuously. The pack is fully charged and may be used at this time or left in the charger.

**Warning!** Recharge discharged batteries as soon as possible after use or battery life may be greatly diminished.

### Charger diagnostics

This charger is designed to detect certain problems that can arise with the battery packs or the power source. Problems are indicated by one LED flashing in different patterns.

### Bad Battery



The charger can detect a weak or damaged battery. The red LED flashes in the pattern indicated on the label. If you see this bad battery blink pattern, do not continue to charge the battery. Return it to a service centre or a collection site for recycling.

### Hot/Cold Pack Delay



When the charger detects a battery that is excessively hot or excessively cold, it automatically starts a Hot/Cold Pack delay, suspending charging until the battery has normalised. After this happens, the charger automatically switches to the Pack Charging mode. This feature ensures maximum battery life. The red LED flashes in the pattern indicated on the label when the Hot/Cold pack delay is detected.

### Problem Power Line



When the charger is used with some portable power sources such as generators or sources that convert DC to AC, the charger may temporarily suspend operation. The LED flashes in the pattern indicated on the label. This indicates that the power source is out of limits.

### Leaving the battery in the charger

The charger and battery pack can be left connected with the LED glowing indefinitely. The charger will keep the battery pack fresh and fully charged.

### Important charging Notes

- ◆ Longest life and best performance can be obtained if the battery pack is charged when the air temperature is between 65°F and 75°F (18° - 24°C). DO NOT charge the battery pack in an air temperature below +40°F (+4.5°C), or above +105°F (+40.5°C). This is important and will prevent serious damage to the battery pack.
- ◆ The charger and battery pack may become warm to touch while charging. This is a normal condition, and does not indicate a problem. To facilitate the cooling of the battery pack after use, avoid placing the charger or battery pack in a warm environment such as in a metal shed, or an uninsulated trailer.
- ◆ If the battery pack does not charge properly:
  - ◆ Check current at receptacle by plugging in a lamp or other appliance.
  - ◆ Check to see if receptacle is connected to a light switch which turns power off when you turn out the lights.
  - ◆ Move charger and battery pack to a location where the surrounding air temperature is approximately 65°F - 75°F (18° - 24°C). d. If charging problems persist, take the tool, battery pack and charger to your local Stanley Fat Max service center.
- ◆ The battery pack should be recharged when it fails to produce sufficient power on jobs which were easily done previously.
- ◆ DO NOT CONTINUE to use under these conditions. Follow the charging procedure.
- ◆ You may also charge a partially used pack whenever you desire with no adverse affect on the battery pack.

### Installing and Removing the Battery Pack from the tool

**Warning!** Make certain the lock-off button is engaged to prevent switch actuation before removing or installing battery.

#### To install battery pack

- ◆ Insert battery pack firmly into tool until an audible click is heard as shown in figure A. Ensure battery pack is fully seated and fully latched into position.

#### To remove battery pack

- ◆ Depress the battery release button (7) as shown in figure B and pull battery pack out of tool.

#### Trigger switch & forward/reverse button - figure C

- ◆ The drill is turned ON and OFF by pulling and releasing the trigger switch (1) shown in figure C. The farther the

trigger is depressed, the higher the speed of the drill.

- ◆ A forward/reverse control button (2) determines the rotational direction of the tool and also serves as a lock off button.
- ◆ To select forward rotation, release the trigger switch and depress the forward/reverse control button on the right side of the tool.
- ◆ To select reverse, depress the forward/reverse control button on the left side of the tool.
- ◆ The center position of the control button locks the tool in the off position. When changing the position of the control button, be sure the trigger is released.

### Adjusting torque control - figure D

This tool is fitted with a torque adjustment collar (3) to select the operating mode and to set the torque for tightening screws. Large screws and hard workpiece materials require a higher torque setting than small screws and soft workpiece materials.

- ◆ For drilling in wood, metal and plastics, set the collar to the drilling position symbol.
- ◆ For screwdriving, set the collar to the desired setting. If you do not yet know the appropriate setting, proceed as follows:
  - ◆ Set the collar to the lowest torque setting.
  - ◆ Tighten the first screw.
  - ◆ If the clutch ratchets before the desired result is achieved, increase the collar setting and continue tightening the screw.
  - ◆ Repeat until you reach the correct setting.
  - ◆ Use this setting for the remaining screws.

### Dual range switch - figure E

The dual range feature of your drill allows you to shift gears for greater versatility.

- ◆ To select low speed, high torque setting (position 1), turn tool off and permit to stop. Slide gear shifter button (4) away from the chuck.
- ◆ To select the high speed, low torque setting (position 2), turn tool off and permit to stop. Slide gear shifter button back toward the chuck.

**Note:** Do not change gears when tool is running. If you are having trouble changing gears, make sure that the dual range gear button is either completely pushed forward or completely pushed back.

### keyless chuck - figure F

**Warning!** Make certain the battery pack is removed to prevent tool actuation before installing or removing accessories.

To insert a drill bit or other accessory:

- ◆ Grasp the chuck (5) and rotate it in the counterclockwise direction, as viewed from the chuck end.

- ◆ Insert the bit or other accessory fully into the chuck, and tighten securely by rotating the chuck in the clockwise direction as viewed from the chuck end.

**Warning!** Do not attempt to tighten or loosen drill bits (or any other accessory) by gripping the front part of the chuck and turning the tool on. Damage to the chuck and personal injury may occur when changing accessories.

### Screw driving

- ◆ For driving fasteners, the forward/reverse button should be pushed to the left.
- ◆ Use reverse (button pushed to the right) for removing fasteners.

**Note:** When moving from forward to reverse, or vice versa, always release the trigger switch first.

### Drilling

- ◆ Use sharp drill bits only.
- ◆ Support and secure work properly, as instructed in the Safety Instructions.
- ◆ Use appropriate and required safety equipment, as instructed in the Safety Instructions.
- ◆ Secure and maintain work area, as instructed in the Safety Instructions.
- ◆ Run the drill very slowly, using light pressure, until the hole is started enough to keep the drill bit from slipping out of it.
- ◆ Apply pressure in a straight line with the bit. Use enough pressure to keep the bit biting but not so much as to stall the motor or deflect the bit.
- ◆ Hold the drill firmly with two hands, one hand on the handle, and the other gripping the bottom around the battery area or the auxiliary handle if provided.
- ◆ **DO NOT CLICK THE TRIGGER OF A STALLED DRILL OFF AND ON IN AN ATTEMPT TO START IT. DAMAGE TO THE DRILL CAN RESULT.**
- ◆ Minimize stalling on breakthrough by reducing pressure and slowly drilling through the last part of the hole.
- ◆ Keep the motor running while pulling the bit out of a drilled hole. This will help reduce jamming.
- ◆ Make sure switch turns drill on and off.

### Drilling in wood

Holes in wood can be made with the same twist drill bits used for metal or with spade bits. These bits should be sharp and should be pulled out frequently when drilling to clear chips from the flutes.

### Drilling in metal

Use a cutting lubricant when drilling metals. The exceptions are cast iron and brass which should be drilled dry. The cutting lubricants that work best are sulphurized cutting oil.

### LED work light

When drill is activated by pulling the trigger switch (1), the integrated LED work light (8) will automatically illuminate the work area.

**Note:** The work light is for lighting the immediate work surface and is not intended to be used as a flashlight.

### Bit tip storage

A bit storage slot (9) is built into the base of the tool.

### Troubleshooting

Problem	Possible cause	Possible solution
Unit will not start.	Battery pack not installed properly.  Battery pack not charged.	Check battery pack installation.  Check battery pack charging requirements
Unit starts immediately upon inserting battery	The switch has been left in the "on" position.	The switch must be moved to "off" to prevent the tool from immediately starting when battery is inserted.
Battery pack will not charge.	Battery pack not inserted into charger.  Charger not plugged in.  Surrounding air temperature too hot or too cold.	Insert battery pack into charger until LED lights.  Plug charger into a working outlet.  Move charger and battery pack to a surrounding air temperature of above 40 degrees F (45°C) or below 105 degrees F (+40.5°C)
Unit shuts off abruptly.	Battery pack has reached its maximum thermal limit.  Out of charge. (To maximize the life of the battery pack it is designed to shutoff abruptly when the charge is depleted)	Allow battery pack to cool down.  Place on charger and allow to charge.

### Maintenance

Your Stanley Fat Max tool has been designed to operate over a long period of time with a minimum of maintenance. Continuous satisfactory operation depends upon proper tool care and regular cleaning.

Your charger does not require any maintenance apart from regular cleaning.

**Warning!** Before performing any maintenance on the tool, remove the battery from the tool. Unplug the charger before cleaning it.

- ◆ Regularly clean the ventilation slots in your tool and charger using a soft brush or dry cloth.

- ◆ Regularly clean the motor housing using a damp cloth. Do not use any abrasive or solvent-based cleaner.
- ◆ Regularly open the chuck and tap it to remove any dust from the interior.

### Protecting the environment



Separate collection. This product must not be disposed of with normal household waste.

Should you find one day that your Stanley Fat Max product needs replacement, or if it is of no further use to you, do not dispose of it with household waste. Make this product available for separate collection.



Separate collection of used products and packaging allows materials to be recycled and used again. Re-use of recycled materials helps prevent environmental pollution and reduces the demand for raw materials.

Local regulations may provide for separate collection of electrical products from the household, at municipal waste sites or by the retailer when you purchase a new product.

Stanley Fat Max provides a facility for the collection and recycling of Stanley Fat Max products once they have reached the end of their working life. To take advantage of this service please return your product to any authorised repair agent who will collect them on our behalf.

You can check the location of your nearest authorised repair agent by contacting your local Stanley Fat Max office at the address indicated in this manual. Alternatively, a list of authorised Stanley Fat Max repair agents and full details of our after-sales service and contacts are available on the Internet at: [www.2helpU.com](http://www.2helpU.com)

### Batteries



There are no user serviceable parts inside.

- ◆ At the end of your products life return the whole unit to your service agent or to a local recycling station to have the battery recycled. Do not throw the unit out with household waste.

## Technical data

		FMC601
Voltage	$V_{DC}$	18V
No-load speed	$\text{Min}^{-1}$	0-350/0-1500
Max. torque	Nm	47
Chuck capacity	mm	13
Max Drilling capacity		
Steel/wood	mm	13/35
Weight	kg	1.2

Charger	905998**	906086**
Input voltage	$V_{AC}$ 230	230
Output voltage	$V_{DC}$ 18	18
Current	mA 1000	2000
Approx. charge time	Mins 80-240	40-120

Battery	FMC685L	FMC687L	FM-C684L
Voltage	$V_{AC}$ 18	18	18
Capacity	Ah 1.5	2.0	1.3
Type	Li-Ion	Li-Ion	Li-Ion

## Level of sound pressure according to EN 60745:

Sound pressure ( $L_{pA}$ ) 71.5 dB(A), uncertainty (K) 3 dB(A)Sound power ( $L_{WA}$ ) 82.5 dB(A), uncertainty (K) 3 dB(A)

## Vibration total values (triax vector sum) according to EN 60745:

Drilling into metal ( $a_{h,D}$ ) <3.5  $\text{m/s}^2$ , uncertainty (K) 1.5  $\text{m/s}^2$ Screwdriving without impact ( $a_h$ ) <1.0  $\text{m/s}^2$ , uncertainty (K) 1.5  $\text{m/s}^2$ 

## EC declaration of conformity

MACHINERY DIRECTIVE



FMC601 - Drill, Screwdriver

Stanley Fat Max declares that these products described under

"technical data" are in compliance with:  
2006/42/EC, EN60745-1:2009+A11:2010 EN60745-2-1:2010  
EN60745-2-2:2010

These products also comply with Directive 2004/108/EC  
(until 19/04/2016)  
2014/30/EU (from 20/04/2016)  
and 2011/65/EU.

For more information, please contact Stanley Fat Max at the  
following address or refer to the back of the manual.

The undersigned is responsible for compilation of the techni-  
cal file and makes this declaration on behalf of  
Stanley Fat Max.

R. Laverick  
Engineering Manager  
Stanley Fat Max Europe, 210 Bath Road, Slough,  
Berkshire, SL1 3YD  
United Kingdom  
25/09/2019

## Guarantee

Stanley Fat Max is confident of the quality of its products and offers an outstanding guarantee for professional users of the product. This guarantee statement is in addition to and in no way prejudices your contractual rights as a private non-professional user. The guarantee is valid within the territories of the Member States of the European Union and the European Free Trade Area.

**ONE-YEAR FULL WARRANTY**

If your Stanley Fat Max product becomes defective due to faulty materials or workmanship within 12 months from the date of purchase, Stanley Fat Max guarantees to replace all defective parts free of charge or – at our discretion – replace the unit free of charge provided that:

- ◆ The product has not been misused and has been used in accordance with the instruction manual.
- ◆ The product has been subject to fair wear and tear;
- ◆ Repairs have not been attempted by unauthorised persons;
- ◆ Proof of purchase is produced.
- ◆ The Stanley Fat Max product is returned complete with all original components.

If you wish to make a claim, contact your seller or check the location of your nearest authorised Stanley Fat Max repair agent in the Stanley Fat Max catalogue or contact your local Stanley office at the address indicated in this manual. A list of authorised Stanley Fat Max repair agents and full details of our after sales service is available on the internet at: [www.stanley.eu/3](http://www.stanley.eu/3)

## Сфера застосування

Ваш дріль/шурупокрут FMC601 виробництва компанії Stanley Fat Max розроблений для використання в якості викрутки та для свердління деревини, металу та пластику. Цей пристрій призначений для професійного використання, а також для приватних непрофесійних користувачів.

## Інструкції з техніки безпеки

### Загальні правила безпеки для електричного інструмента



**Увага!** Прочитайте всі попередження та інструкції. Невиконання наведених нижче попереджень та інструкцій може призвести до ураження електричним струмом, пожежі та/або серйозних травм.

**Збережіть всі попередження та інструкції для використання в майбутньому.** Термін «електричний інструмент» в усіх попередженнях, перерахованих нижче, стосується використовуваних вами інструментів, що працюють від мережі енергоспоживання (з використанням електричного кабелю) або акумуляторів (без кабелю).

#### 1. Безпека робочої зони

- a. Тримайте робочу зону чистою та добре освітленою. Невпорядковані й темні робочі зони збільшують імовірність нещасного випадку.
- b. **Не використовуйте електричні інструменти у вибухонебезпечній атмосфері, наприклад у присутності займистих рідин, газів та пилу.** Електричні інструменти створюють іскри, що можуть запалити пил або випаровування.
- c. **Тримайте дітей та сторонніх подалі під час використання інструмента.** Відвернення уваги може призвести до втрати контролю.


#### 2. Електрична безпека

- a. **Вилка електричного інструмента має відповідати розетці. Ніколи жодним чином не змінюйте вилку. Не використовуйте адаптери з заземленими електричними інструментами.** Немодифіковані вилки та розетки, що відповідають їм, зменшують ризик ураження електричним струмом.
- b. **Уникайте контакту тіла із заземленими поверхнями, такими як труби, радіатори, плити та холодильники.** Якщо ваше тіло заземлене, збільшується ризик ураження електричним струмом.
- c. **Не залишайте електричні інструменти під дощем або за умов підвищеної вологості.** Вода, що потрапляє в електричний інструмент, підвищує ризик ураження електричним струмом.

- d. **Не використовуйте кабель живлення не за призначенням. Ніколи не переносьте, не тягніть та не відключайте електричний інструмент від розетки живлення за допомогою шнура. Тримайте шнур подалі від високих температур, мастила, гострих предметів та рухомих деталей.** Пошкоджені або перекручені шнури підвищують ризик ураження електричним струмом.
- e. **Під час експлуатації електричного інструмента на вулиці використовуйте подовжувальний шнур, що призначений для використання поза приміщеннями.** Використання шнура, що призначений для використання поза приміщенням, знижує ризик ураження електричним струмом.
- f. **Якщо неможливо уникнути використання електричного інструмента за умов підвищеної вологості, використовуйте джерело живлення, захищене пристроєм з керуванням диференційним струмом (RCD).** Використання RCD знижує ризик ураження електричним струмом.

#### 3. Особиста безпека

- a. **Будьте в стані готовності, дивіться, що ви робите, та будьте розсудливі, працюючи з електричним інструментом. Не використовуйте електричний інструмент, коли ви втомлені або знаходитесь під впливом наркотичних речовин, алкоголю або ліків.** Втрата уваги під час роботи з електричними інструментами може призвести до серйозних травм.
- b. **Використовуйте особисті засоби безпеки. Завжди використовуйте засоби захисту очей.** Засоби безпеки, такі як протипилова маска, неслизькі безпечні черевики, захисний шолом та засоби захисту слухового апарату, які використані для відповідних умов, зменшують імовірність особистих травм.
- c. **Уникайте випадкового запуску. Переконайтеся в тому, що перемикач знаходиться в позиції Вимк., перш ніж підключати інструмент до джерела живлення та/або акумулятора, перемішувати або переносити.** Якщо ви переносите інструмент, тримаючи палець на перемикачі, або підключаєте живлення з перемикачем в позиції Увімк., це може призвести до нещасного випадку.
- d. **Зніміть всі налаштувальні ключі або гайкові ключі перед вмиканням електричного інструмента.** Гайковий ключ, що залишився прикріпленим до якоїсь деталі електричного пристрою, що обертається, може призвести до травм.
- e. **Не перенапружуйтеся. Завжди утримуйте правильну постановку ніг і рівновагу.** Це дає вам змогу краще контролювати інструмент в непередбачуваних ситуаціях.

- f. Вдягайте відповідний одяг. Не вдягайте вільний одяг або прикраси. Тримайте ваше волосся, одяг та рукавички подалі від рухомих деталей. Вільний одяг, прикраси або довге волосся можуть зачепитися за рухомі деталі.
- g. Якщо передбачені пристрої для підключення до засобів виділення та збирання пилу, переконайтеся, що вони правильно підключені та використовуються. Використання таких пристроїв зменшує ризик виникнення небезпечних ситуацій, що пов'язані з потрапленням пилу.
4. Використання електричного інструмента та догляд за ним
- a. Не застосовуйте надмірні зусилля під час роботи з інструментом. Використовуйте електричний інструмент, який відповідає завданню, що виконується. Правильно обраний інструмент виконає завдання краще та безпечніше за умов, для яких він був розроблений.
- b. Не використовуйте інструмент, вмикач якого не вмикає та не вимикає його. Будь-який електричний інструмент, який не може управлятися вмикачем, є небезпечним і має бути відремонтований.
- c. Відключіть вилку від джерела живлення та/або зніміть акумуляторний блок з електричного інструмента перед тим, як робити будь-які налаштування, змінювати додаткове обладнання чи зберігати електричні інструменти. Ці профілактичні заходи зменшують ризик випадкового запуску електричного інструмента.
- d. Зберігайте вимкнені електричні інструменти подалі від дітей та не дозволяйте особам, що не знайомі з електричним інструментом або цими інструкціями, використовувати електричний інструмент. Електричні інструменти є небезпечними, якщо вони використовуються некваліфікованими користувачами.
- e. Технічне обслуговування електричних інструментів. Перевіряйте несумісність або заїдання рухомих деталей, наявність ушкоджених частин та інших умов, що можуть впливати на роботу електричного інструмента. Якщо є пошкодження, відремонтуйте електричний інструмент перед використанням. Багато нещасних випадків є результатом того, що інструмент не пройшов відповідного технічного обслуговування.
- f. Тримайте різальні інструменти гострими та чистими. Правильно доглянуті різальні інструменти з гострими різальними кромками мають меншу ймовірність заїдання, та ними легше керувати.
- g. Використовуйте електричний інструмент, приладдя та деталі інструмента тощо
- у відповідності до цих інструкцій, зважаючи на умови використання та роботу, яка має бути виконана. Використання електричних інструментів не за призначенням може призвести до виникнення небезпечних ситуацій.
5. Використання та догляд за інструментом, що працює від акумулятора
- a. Заряджайте інструмент лише за допомогою зарядного пристрою, що вказаний виробником. Зарядний пристрій, що може використовуватись з одним типом акумуляторів, може призвести до пожежі, коли використовується з іншим акумулятором.
- b. Використовуйте електричні інструменти лише зі спеціально розробленим акумулятором. Використання інших акумуляторів може призвести до травм або пожежі.
- c. Коли акумулятори не використовуються, зберігайте їх подалі від металевих предметів, як скріпки, монети, ключі, цвяхи, гвинти або інші невеликі предмети, що можуть призвести до замикання двох контактів. Зімкнення терміналів акумулятора може призвести до вибуху або пожежі.
- d. За невідповідних умов використання рідина може витікати з батареї, уникайте контакту з цією рідиною. Якщо контакт таки стався, промийте забруднену ділянку водою. Якщо рідина потрапила в очі, промийте водою та зверніться до лікаря. Рідина, що витікає з батареї, може призвести до подразнень та опіків.
6. Обслуговування
- a. Передавайте електричний інструмент для обслуговування кваліфікованим спеціалістам з ремонту та використовуйте тільки ідентичні замініні деталі. Це забезпечить безпеку електричного пристрою.
- Додаткові правила безпеки для електричного інструмента**
-  **Увага!** Додаткові попередження з техніки безпеки для дрилів/шурупокрутів
- ◆ Використовуйте додаткові ручки, що надаються з інструментом. Втрата контролю над інструментом може викликати травми.
  - ◆ Тримайте електроінструмент за ізольовану поверхню для тримання під час виконання операції, коли різальне приладдя може торкнутися схованої проводки. Ріжучі елементи при контакті з дротом під напругою можуть призвести до появи напруги в інструменті та ураження оператора електричним струмом.



- ◆ Під час виконання операції, коли кріплення може контактувати зі схованою електропроводкою, тримайте електричний інструмент за ізольовану поверхню. Контакт кріпильних елементів з дротом під напругою може призвести до появи напруги в інструменті та ураження оператора електричним струмом.
- ◆ Використовуйте струбцини або інший спосіб закріплення оброблюваної деталі на стабільній платформі. Утримування заготовки в руці та притискання її до тіла робить її нестабільною та може призвести до втрати контролю.
- ◆ Перед свердлінням стін, підлоги та стелі переконайтесь, що в цьому місці не прокладена електрична проводка та труби.
- ◆ Уникайте контакту з наконечником бури відразу після свердління, він може бути гарячим.
- ◆ Використання за призначенням наведено в цій інструкції з експлуатації. Використання будь-якого приладдя чи додаткового обладнання або виконання будь-яких дій з інструментом, що суперечать рекомендаціям цього посібника, може призвести до ризику травмування людини та/або пошкодження майна.

### Безпека оточення

- ◆ Цей інструмент не призначений для використання особами (включаючи дітей) із зниженими фізичними, сенсорними або розумовими можливостями або особами, яким бракує досвіду або знань за винятком випадків, коли такі особи працюють під наглядом або отримали інструкції щодо використання інструменту від особи, яка несе відповідальність за їх безпеку.
- ◆ Діти повинні знаходитись під контролем, щоб гарантувати, що вони не будуть грати з пристроєм.

### Залишкові ризики

Під час використання інструмента можуть виникнути додаткові залишкові ризики, які не внесено до попереджень щодо техніки безпеки в цьому посібнику. Ці ризики можуть виникнути як результат неправильного використання, тривалого використання тощо.

Незважаючи на виконання всіх відповідних правил техніки безпеки та використання захисних пристроїв, неможливо уникнути деяких залишкових ризиків. Сюди належать:

- ◆ Травми через контакт з деталями, що рухаються/обертуються.
- ◆ Травми при заміні деталей, пильних полотен або аксесуарів.
- ◆ Травми внаслідок тривалого використання інструмента. Під час використання будь-якого інструменту протягом тривалого періоду часу не забувайте робити регулярні перерви.
- ◆ Порушення слуху.

- ◆ Небезпека для здоров'я через вдихання пилу, що утворюється при використанні інструмента (наприклад, при роботі з деревом, особливо з дубом, березою та ДВП)

### Вібрація

Значення вібрації, указані в технічних даних та в декларації про відповідність виміряні з дотриманням стандартних методів тестування, наданих в EN 60745, та їх можна використовувати для порівняння одного інструмента з іншим. Задекларовані значення вібрації можна також використовувати для попереднього оцінювання впливу вібрації.

**Увага!** Значення вібрації під час використання інструмента може відрізнитися від задекларованого в залежності від способів використання інструмента. Рівень вібрації може перевищувати вказані значення.

Оцінюючи вплив вібрації для визначення заходів безпеки за вимогами 2002/44/ЕС, щоб захистити людей, які регулярно використовують інструменти в роботі, необхідно враховувати реальні умови та способи використання інструмента, у тому числі всі періоди робочого циклу, наприклад час, коли інструмент вимкнено та коли він працює в режимі холостого ходу, а також час, потрібний для запуску інструмента.

### Написи на інструменті

Наведені нижче символи нанесені на інструмент разом з кодом дати:



**Увага!** Щоб зменшити ризик травм, користувач повинен прочитати посібник з експлуатації.

### Додаткові інструкції з техніки безпеки для акумуляторів та зарядних пристроїв (не надаються з інструментом)

#### Батареї

- ◆ Ніколи не намагайтесь відкривати батарею.
- ◆ Не занурюйте батарею у воду.
- ◆ Не зберігайте у місцях, де температура може перевищувати 40 °C.
- ◆ Заряджайте лише за температури навколишнього середовища між 10 °C та 40 °C.
- ◆ Заряджайте лише за допомогою зарядного пристрою, що надається з інструментом.
- ◆ При утилізації батарей дотримуйтесь інструкцій, наведених у розділі «Захист навколишнього середовища».



Не заряджайте пошкоджені батареї.

**Зарядні пристрої**

- ◆ Використовуйте ваш зарядний пристрій Stanley Fat Max лише для зарядки батарей того інструмента, з яким він продавався. Інші батареї можуть вибухнути, спричинивши травми та пошкодження.
- ◆ У жодному разі не намагайтесь заряджати батареї, що не підлягають зарядці.
- ◆ Негайно замінійте пошкоджений дріт живлення.
- ◆ Не занурюйте зарядний пристрій у воду.
- ◆ Не відкривайте корпус зарядного пристрою.
- ◆ Не розбирайте зарядний пристрій.



Зарядний пристрій призначений лише для використання в приміщенні.



Прочитайте інструкції цього посібника перед використанням.

**Електрична безпека**

Зарядний пристрій має подвійну ізоляцію, тому заземлення непотрібне. Завжди перевіряйте відповідність джерела живлення напрузі, що вказана на таблиці з паспортними даними. Ніколи не намагайтесь замінити зарядний пристрій звичайним мережним штепселем.

- ◆ Якщо шнур живлення пошкоджений, його необхідно замінити у виробника або в офіційному сервісному центрі компанії Stanley Fat Max для уникнення небезпеки.

**Компоненти**

Цей пристрій має всі або деякі з нижче перерахованих компонентів.

1. Тригерний перемикач
2. Кнопка реверсу (вперед/назад)
3. Налаштувальне кільце крутного моменту
4. Селектор двошвидкісного приводу
5. Патрон без ключа
6. Акумулятор
7. Кнопка звільнення акумулятора
8. Світлодіодний індикатор роботи
9. Тримач біт

**Використання**

**Увага!** Інструмент повинен працювати з рекомендованою швидкістю.

Не перевантажуйте його.

**Зарядження акумулятора**

Необхідно зарядити батарею перед першим використанням, а також коли вона не може забезпечити достатню потужність для виконання завдань, які легко виконувались

раніше. Батарея може стати теплою під час зарядки: це нормально та не є показником проблеми.

**Увага!** Не заряджайте батарею за температури навколишнього середовища нижче 10 °C або вище 40 °C. Рекомендована температура зарядки: приблизно 24 °C.

**Примітка.** Зарядний пристрій не заряджає батарею, якщо її температура нижче приблизно 10 °C або вище 40 °C. Батарею потрібно залишити у зарядному пристрої, який автоматично почне її заряджати, коли температура батареї підніметься або зменшиться.

- ◆ Підключіть зарядний пристрій до відповідної розетки перед встановленням акумулятора.
- ◆ Вставте акумулятор у зарядний пристрій.



Зелений світлодіод почне блимати, вказуючи на те, що батарея заряджається.



Про завершення зарядки свідчить зелений світлодіод, який горить постійно. Це означає, що акумулятор повністю заряджений і може використовуватися відразу або залишатися у зарядному пристрої

**Увага!** Заряджайте батареї, які розрядилися, якомога швидше після використання, інакше термін служби батареї може значно скоротитися.

**Діагностика зарядного пристрою**

Зарядний пристрій призначений для виявлення певних проблем, які можуть виникати з акумулятором або джерелом живлення. Проблеми відображаються різними сигналами світлодіода.

**Несправна батарея**

Зарядний пристрій може визначити розряджену або пошкоджену батарею. Червоний світлодіод буде горіти в спосіб, який вказано на ярлику. Якщо ви побачите такий варіант світлодіодного сигналу, припиніть зарядку батареї. Поверніть її в сервісний центр або місце збирання батарей для переробки.

## Затримка через надмірно високу/низьку температуру акумулятора



Якщо зарядний пристрій визначає, що акумулятор є занадто гарячим або занадто холодним, він автоматично вмикає режим температурної затримки, припиняючи процес зарядки до моменту, поки акумулятор не досягне нормальної температури. Після цього зарядний пристрій автоматично переходить до режиму зарядки батареї. Ця функція забезпечує максимальний термін служби акумулятора. В разі увімкнення режиму температурної затримки червоний світлодіод буде горіти в спосіб, який вказано на ярлику.

## Проблема лінії електроживлення



Якщо зарядний пристрій використовується з деякими портативними джерелами живлення, наприклад, генератори або джерелами, які перетворюють постійний струм на змінний струм, зарядний пристрій може тимчасово призупинити свою роботу. Світлодіод буде горіти, як вказано на піктограмі. Це означає, що джерело живлення виходить за межі допустимих значень.

## Залишення батареї в зарядному пристрої

Батареї можна залишити в зарядному пристрої на необмежений час з індикатором, який працює. Зарядний пристрій буде підтримувати батарею у повністю зарядженому стані.

## Важливі примітки щодо зарядки

- ◆ Найдовшого терміну експлуатації та найкращих експлуатаційних характеристик можна досягти за умови заряджання акумулятора за температури навколишнього повітря між 65 °F та 75 °F (18 °C–24 °C). НЕ заряджайте батарею за температури навколишнього середовища нижче +40 °F (+4,5 °C) або вище +105 °F (+40,5 °C). Це важливо та дає можливість запобігти завданню серйозної шкоди акумуляторній батареї.
- ◆ Під час заряджання зарядний пристрій та акумулятор можуть бути теплими на дотик. Це є нормою, і не є показником проблеми. Щоб швидше охолодити батарею після використання, не поміщайте зарядний пристрій та батарею у тепле місце, наприклад у металевий гараж або трейлер без теплоізоляції.
- ◆ Якщо акумулятор не заряджається належним чином:

- ◆ Перевірте наявність струму в розетці шляхом підключення лампи або іншого пристрою.
- ◆ Перевірте, чи розетка підключена до вимикача освітлення, який вмикає живлення, коли ви вмикаєте лампи.
- ◆ Перемістіть зарядний пристрій та акумуляторну батарею у місце, де температура навколишнього середовища становить приблизно від 18 °C до 24 °C. Якщо проблеми з зарядкою не зникнуть, віднесіть інструмент, акумулятор та зарядний пристрій у місцевий сервісний центр компанії Stanley Fat Max.
- ◆ Акумулятор необхідно заряджати, коли він припиняє надавати достатньо потужності для завдань, які легко виконувались раніше.
- ◆ ПРИПИНІТЬ ВИКОРИСТАННЯ за цих умов. Дотримуйтесь процедури зарядки.
- ◆ Ви можете заряджати частково розряджену батарею коли забажаєте, без шкоди для неї.

## Встановлення акумулятора в інструмент та його виймання з інструмента

**Увага!** Перед встановленням та зніманням батареї переконайтесь, що інструмент заблокований, щоб уникнути його випадкового запуску.

## Встановлення акумулятора

- ◆ Вставте акумулятор в інструмент до упору, щоб почути звук клацання, як показано на рисунку А. Переконайтеся, що акумулятор повністю вставлений і зафіксований в цьому положенні.

## Щоб вийняти акумулятор

- ◆ Натисніть кнопку вивільнення батареї (7), як показано на рисунку В, та витягніть акумулятор з пристрою.

## Тригерний перемикач та кнопка реверсу (вперед/назад) — рисунок С

- ◆ Дриль вмикається і вимикається шляхом натискання і відпускання тригерного перемикача (1), показаного на рисунку С. Чим сильніше натискається перемикач, тим вище буде швидкість свердла.
- ◆ Реверсивна кнопка (2) визначає напрямку руху інструменту, а також є кнопкою блокування.
- ◆ Для активації обертання вперед, відпустіть тригерний перемикач та натисніть кнопку перемикачання напрямку обертання вперед/назад на правій стороні інструменту.
- ◆ Щоб обрати обертання назад, натисніть реверсивну кнопку на лівій стороні інструменту.
- ◆ Реверсивна кнопка у центральному положенні блокує інструмент у вимкненому стані. При зміні положення кнопки переконайтесь, що тригер відпущений.

### Налаштування регулятора крутного моменту — рисунок D

Інструмент оснащено кільцем регулювання крутного моменту (3), що дозволяє обрати робочий режим та встановити крутний момент для затягування гвинтів. Великі гвинти та тверді матеріали вимагають більшого крутного моменту, ніж малі гвинти та м'які матеріали.

- ◆ Для свердління дерева, металу та пластику встановіть налаштувальне кільце на символ свердління.
- ◆ Для використання в якості викрутки встановіть кільце у бажане положення.  
Якщо ви не знаєте точно, в яке положення потрібно його встановити, виконайте наступні дії:
  - ◆ Встановіть кільце на найнижче значення крутного моменту.
  - ◆ Затягніть перший гвинт.
  - ◆ Якщо муфта зупиниться до досягнення бажаного результату, збільшіть значення кільця та продовжуйте затягування гвинта.
  - ◆ Повторіть до встановлення бажаного положення кільця.
  - ◆ Використовуйте це положення для інших гвинтів.

### Перемикач режимів швидкості — рисунок E

Підтримка двох швидкостей роботи дрילה дозволяє змінювати швидкість для виконання різноманітних завдань.

- ◆ Щоб обрати повільну швидкість, високий крутний момент (положення 1), вимніть інструмент та зачекайте його повної зупинки. Перемістіть кнопку зміни швидкості (4) від затисненого патрону.
- ◆ Щоб обрати високу швидкість, низький крутний момент (положення 2), вимніть інструмент та зачекайте його повної зупинки. Перемістіть кнопку зміни швидкості назад до затисненого патрону.

**Примітка.** Не змінюйте швидкість під час роботи пристрою. Якщо у вас виникли проблеми зі зміною швидкості, переконайтесь, що кнопка зміни швидкості переміщена повністю вперед або повністю назад.

### Патрон без ключа — рис. F

**Увага!** Перед встановленням та зніманням насадок переконайтесь, що акумулятор витягнений з нього, щоб уникнути випадкового запуску інструменту.

Встановлення свердла та інших насадок:

- ◆ Візьміть патрон (5) і поверніть його проти годинникової стрілки, якщо дивитися з точки зору патрону.
- ◆ Вставте свердел або іншу насадку повністю у патрон та міцно затягніть його, повертаючи патрон за годинниковою стрілкою, якщо дивитися з точки зору патрону.

**Увага!** Не намагайтесь затягувати або відпускати свердел (або іншу насадку), тримаючи передню частину патрону та вмикаючи інструмент. Заміна насадок може призвести до ушкодження патрону та травм.

### Закручування шурупів

- ◆ Для закручування кріпильних елементів потягніть кнопку реверсу (вперед/назад) вліво.
- ◆ Скористайтесь також кнопкою реверсу (потягніть її вправо) для викручування кріпильних елементів.

**Примітка.** Завжди спочатку відпускайте тригерний перемикач, щоб змінити положення реверсивної кнопки вперед-назад чи навпаки.

### Свердління

- ◆ Завжди використовуйте гострі свердла.
- ◆ Добре підтримуйте та фіксуйте деталь, з якою працюєте, як описано у розділі «Інструкції з техніки безпеки».
- ◆ Використовуйте відповідні засоби безпеки, як описано у розділі «Інструкції з техніки безпеки».
- ◆ Підтримуйте безпеку та охайність робочої зони, як описано у розділі «Інструкції з техніки безпеки».
- ◆ Працюйте з дрилем повільно, використовуючи незначний тиск, доки просвердлений отвір буде достатнім, щоб утримувати свердел.
- ◆ Натискайте на інструмент, спрямовуючи силу по прямій лінії зі свердлом. Натискайте так, щоб свердел продовжував робити отвір, але не дуже сильно, щоб не спричинити заїдання мотору та згинання свердла.
- ◆ Тримайте дріль міцно двома руками, одна рука повинна бути на ручці, а інша — знизу біля акумулятора або на допоміжній ручці, якщо вона передбачена.
- ◆ **НЕ НАТИСКАЙТЕ ТРИГЕРНИЙ ПЕРЕМИКАЧ ДРИЛУ, ЯКИЙ ЗАВІ, У СПРОБІ ЙОГО ЗАПУСКУ. ЦЕ МОЖЕ ПРИЗВЕСТИ ДО ПОШКОДЖЕННЯ ДРИЛУ.**
- ◆ Скоротіть вірогідність заїдання на останньому етапі просвердлювання отвору, зменшуючи тиск та повільно завершуючи свердління отвору.
- ◆ Мотор повинен працювати, коли ви витягаєте свердел з просвердленого отвору. Це дозволить уникнути заїдання.
- ◆ Переконайтесь, що перемикач вмикає та вимикає дріль.

### Свердління деревини

Отвори у дереві можна просвердлити такими самими спіральними свердлами, що використовуються для металу, або за допомогою перовими свердлами. Ці свердла мають бути гострими, їх потрібно часто витягати під час свердління, щоб очистити тирсу з пазів.

### Свердління металу

Використовуйте мастильно-охолоджуючу рідину при свердлінні металу. Винятками при цьому є чавун та латунь, які повинні бути сухими під час свердління. Найкраще використовувати сульфовану мастильно-охолоджуючу рідину.

## Світлодіодний індикатор роботи

Коли дріль активується шляхом натискання тригерного перемикача (1), вбудований світлодіодний індикатор (8) автоматично освітлює робочу зону.

**Примітка.** Таке підсвічування призначено для освітлення безпосередньої робочої поверхні та не повинно використовуватись в якості ліхтарика.

## Місце зберігання біт

Місце зберігання біт (9) вбудовано в основу інструменту.

## Пошук та усунення несправностей

Проблема	Можлива причина	Можливе рішення
Пристрій не запускається.	Акумулятор встановлений невірно.  Акумулятор не заряджається.	Перевірте установку акумулятора.  Перевірте вимоги до зарядки акумуляторного блоку
Пристрій запускається відразу після установки акумулятора	Перемикач був залишений у положенні Увімк.	Перемикач необхідно перемістити в положення Вимк., щоб уникнути миттєвого запуску інструменту після установки акумулятора.
Акумулятор не заряджається.	Акумулятор не встановлений у зарядний пристрій.  Зарядний пристрій не підключений до мережі живлення.  Температура навколишнього середовища занадто висока або занадто низька.	Вставте акумулятор у зарядний пристрій так, щоб загорівся індикатор.  Підключіть зарядний пристрій до робочої розетки.  Перемістіть зарядний пристрій та акумулятор у місце з температурою вище 40 градусів F (45°C) або нижче 105 градусів F (+40,5°C)
Пристрій різко вимкнувся.	Акумулятор досягнув максимального термічного ліміту.  Розряджений акумулятор. (Щоб максимально подовжити термін роботи акумулятора, він розроблений таким чином, що пристрій різко вимикається, коли акумулятор розряджається)	Дайте акумулятору охолонути.  Встановіть акумулятор в зарядний пристрій та зарядіть його.

## Технічне обслуговування

Ваш пристрій виробництва компанії Stanley Fat Max призначений для роботи протягом довгого часу з мінімальним обслуговуванням. Тривала задовільна робота приладу залежить від належного обслуговування приладу та регулярного його очищення.

Зарядний пристрій не вимагає технічного обслуговування, потрібно лише виконувати регулярне очищення.

**Увага!** Перед проведенням будь-яких робіт по технічному обслуговуванню необхідно вилучити батарею з інструмента. Витягніть зарядний пристрій з розетки перед очищенням.

- ◆ Регулярно очищуйте вентиляційні отвори інструмента та зарядного пристрою, використовуючи м'яку щітку або суху ганчірку.
  - ◆ Регулярно очищайте корпус мотору, використовуючи вологу ганчірку.
- Не використовуйте абразивні очищувачі та засоби, що містять розчинники.
- ◆ Регулярно відкривайте патрон та струшуйте його, щоб видалити пил з середини.

## Захист навколишнього середовища



Роздільний збір. Даний виріб не можна викидати разом зі звичайним побутовим сміттям.

Якщо ви вирішите, що ваш виріб фірми Stanley Fat Max потрібно замінити, або він вам більше не потрібний, не викидайте його на смітник побутового сміття. Даний виріб необхідно утилізувати в місцях роздільного збору сміття.



Окремий збір використаних виробів та упаковки дозволяє повторно переробляти та використовувати матеріали.

Переробка повторно використовуваних матеріалів допомагає знизити рівень забруднення навколишнього середовища та зменшує потребу в сировині.

Місцеві законодавчі акти можуть передбачати окремий збір електричного обладнання в місцях збору побутового сміття або роздрібної торгівлі у випадку придбання нового обладнання.

Компанія Stanley Fat Max має можливість для збору та переробки продуктів Stanley Fat Max після закінчення їхнього терміну служби. Щоб скористатися цією послугою, поверніть виріб компанії в один з офіційних сервісних центрів, які збирають відпрацьовані вироби від нашого імені.

Ви можете знайти місцезнаходження найближчого до вас сервісного центру, зв'язавшись з місцевим офісом компанії Stanley Fat Max за адресою, що вказана у цих інструкціях. Крім того, перелік офіційних сервісних центрів компанії Stanley Fat Max з усіма подробицями нашого післяпродажного обслуговування та контактною інформацією міститься в Інтернеті за адресою: [www.2helpU.com](http://www.2helpU.com)

## Батареї



Всередині відсутні деталі, які користувач може обслуговувати самостійно.

- ◆ Наприкінці терміну служби батареї поверніть її агенту з обслуговування або на місцеву станцію переробки для переробки батареї. Не викидайте батарею разом із побутовим сміттям.

## Технічні дані

		FMC601
Напруга	$V_{DC}$	18 В
Швидкість без навантаження	$xv^{-1}$	0-350/0-1500
Макс. крутний момент	Н·м	47
Найбільший діаметр свердла, що затискається в патроні	мм	13
Максимальна глибина свердління		
Метал/дерево	мм	13/35
Маса	кг	1,2

		905998**	906086**
Вхідна напруга	$V_{AC}$	230	230
Вихідна напруга	$V_{DC}$	18	18
Струм	мА	1000	2000
Приблизний час першого зарядження	Хв.	80-240	40-120

		FMC685L	FMC687L	FMC684L
Напруга	$V_{AC}$	18	18	18
Ємність	ампер-годин	1,5	2,0	1,3
Тип		Літій-іонний	Літій-іонний	Літій-іонний

## Рівень звукового тиску згідно з EN 60745:

Звуковий тиск ( $L_{pA}$ ) 71,5 дБ(А), похибка (К) 3 дБ(А)

Звукова потужність ( $L_{WA}$ ) 82,5 дБ(А), похибка (К) 3 дБ(А)

## Загальні значення вібрації (векторна сума трьох векторів) згідно з EN 60745:

Свердління металу ( $a_{hD}$ ) < 3,5 м/с<sup>2</sup>, похибка (К) 1,5 м/с<sup>2</sup>

Вкручування гвинтів без удару ( $a_{hV}$ ) < 1,0 м/с<sup>2</sup>, похибка (К) 1,5 м/с<sup>2</sup>

## Декларація про відповідність нормам ЄС

ДИРЕКТИВА ДЛЯ МЕХАНІЧНОГО ОБЛАДНАННЯ



FMC601 — дріль, викрутка

Компанія Stanley Fat Max заявляє, що продукти, описані у розділі «Технічні дані» відповідають вимогам: 2006/42/EC, EN60745-1:2009+A11:2010 EN60745-2-1:2010 EN60745-2-2:2010

Ці продукти також відповідають Директиві 2004/108/EC (до 19/04/2016) 2014/30/EU (з 20.04.2016) і 2011/65/EU.

Для отримання додаткової інформації, будь ласка, зверніться до компанії Stanley Fat Max за наведеною нижче адресою або прочитайте інформацію на зворотному боці цього посібника.

Нижчепідписаний несе відповідальність за упорядкування файлу технічних характеристик та робить цю заяву від компанії Stanley Fat Max.

Р. Лаверік (R. Laverick),  
технічний директор  
Stanley Fat Max Europe, 210 Bath Road, Slough,  
Berkshire, SL1 3YD  
United Kingdom (Великобританія)  
25/09/2019

## Гарантія

Компанія Stanley Fat Max впевнена в якості своєї продукції та пропонує чудові умови гарантії для професійних користувачів цього продукту. Ці гарантійні умови є додатковими та в якійсь мірі підтверджують ваші законні права за угодою як приватного непрофесійного користувача.

Ця гарантія є чинною на території країн-членів Європейського Союзу та в європейській зоні вільної торгівлі.

## ПОВНА ГАРАНТІЯ НА ОДИН РІК

Якщо продукт компанії Stanley Fat Max стає несправним через неякісні матеріали, конструкцію або невідповідність вимогам протягом 12 місяці з дня покупки, компанія Stanley Fat Max гарантує безкоштовну заміну несправних деталей або – за нашим рішенням – безкоштовну заміну пристрою у наступних випадках:

- ◆ Продукт використовувався лише за призначенням та відповідно до цих інструкцій.
- ◆ Продукт зазнав нормального зносу;
- ◆ Не виконувався ремонт сторонніми особами;
- ◆ Надається підтвердження покупки.
- ◆ Продукт Stanley Fat Max повертається з усіма оригінальними компонентами.

Якщо ви бажаєте пред'явити позов, зверніться до свого продавця або у найближчий сервісний центр компанії Stanley Fat Max, що вказані у каталозі Stanley Fat Max, або зв'яжіться з місцевим офісом компанії Stanley Fat Max за адресою, вказаною у цьому посібнику. Список офіційних сервісних центрів компанії Stanley Fat Max з усіма подробицями нашого післяпродажного обслуговування та контактною інформацією міститься в Інтернеті за адресою: [www.stanley.eu/3](http://www.stanley.eu/3)



Виробник:  
"Stanley Black & Decker Deutschland  
GmbH" Black-&-Decker Str.40, D-65510  
Idstein, Німеччина









**STANLEY**  
**FATMAX**

ГАРАНТІЙНИЙ ТАЛОН

**3 РОКИ**  
ГАРАНТІЇ

1. Вітаємо Вас з покупкою високоякісного виробу Stanley FATMAX і висловлюємо вдячність за Ваш вибір.
2. При покупці виробу вимагайте перевірки його комплектності і справності у Вашій присутності, інструкцію з експлуатації та заповнений гарантійний талон українською мовою. В гарантійному талоні повинні бути внесені: модель, дата продажу, серійний номер, дата виробництва інструменту; назва, печатка і підпис торгової організації. За відсутності у Вас правильно заповненого гарантійного талону, а також при невідповідності зазначених у ньому даних ми будемо змушені відхилити Ваші претензії щодо якості даного виробу.
3. Щоб уникнути непорозуміння, переконливо просимо Вас перед початком роботи з виробом уважно ознайомитися з інструкцією з його експлуатації. Правовою основою справжніх гарантійних умов є чинне Законодавство. Гарантійний термін на даний виріб складає 36 місяці і обчислюється з дня продажу. У разі усунення недоліків виробу, гарантійний строк продовжується на період його перебування в ремонті. Термін служби виробу становить 5 років з дня продажу.
4. У разі виникнення будь-яких проблем у процесі експлуатації виробу рекомендуємо Вам звертатися тільки в уповноважені сервісні центри Stanley FATMAX, адреси та телефони яких Ви зможете знайти в гарантійному талоні, на сайті [www.2helpU.com](http://www.2helpU.com) або дізнатися в магазині. Наші сервісні станції - це не тільки кваліфікований ремонт, але і широкий асортимент запчастин і аксесуарів.
5. Виробник рекомендує проводити періодичну перевірку і технічне обслуговування виробу в уповноважених сервісних центрах.
6. Наші гарантійні зобов'язання поширюються тільки на несправності, виявлені протягом гарантійного терміну і викликані дефектами виробництва та \` або матеріалів.
7. Гарантійні умови не поширюються на несправності виробу, що виникли в результаті:
  - 7.1. Недотримання користувачем приписів інструкції з експлуатації виробу, застосування виробу не за призначенням, неправильного зберігання, використання приладдя, витратних матеріалів і запчастин, що не передбачені виробником.
  - 7.2. Механічного пошкодження (відколи, тріщини і руйнування) внутрішніх і зовнішніх деталей виробу, основних і допоміжних рукояток, мережевого кабелю, що викликані зовнішнім ударним або будь-яким іншим впливом
  - 7.3. Потраплення у вентиляційні отвори та проникнення всередину виробу сторонніх предметів, матеріалів або речовин, що не є відходами, які супроводжують застосування виробу за призначенням, такими як: стружка, тирса, пісок, та ін.
  - 7.4. Впливу на виріб несприятливих атмосферних і інших зовнішніх факторів, таких як дощ, сніг, підвищена вологість, нагрівання, агресивні середовища, невідповідність параметрів електромережі, що зазначені на інструменті.
  - 7.5. Стихійного лиха. Пошкодження або втрати виробу, що пов'язані з непередбаченими лихами, стихійними явищами, у тому числі внаслідок дії непереборної сили (пожежа, блискавка, потоп і інші природні явища), а також внаслідок перепадів напруги в електромережі та іншими причинами, які знаходяться поза контролем виробника.
8. Гарантійні умови не поширюються:
  - 8.1. На інструменти, що піддавалися розкриттю, ремонту або модифікації поза уповноваженим сервісним центром.
  - 8.2. На деталі, вузли та матеріали, що мають сліди природного зносу, такі як: приводні ремені і колеса, вугільні щітки, мастило, підшипники, зубчасті зчеплення редукторів, гумові ущільнення, сальники, направляючі ролики, муфти, викикачі, бойки, штовхачі, стволы тощо.
  - 8.3. На змінні частини: патрони, цанги, затискні гайки і фланці, фільтри, ножі, шліфувальні підшошви, ланцюги, зірочки, пильні шини, захисні кожухи, пилки, абразиви, пильні і абразивні диски, фрези, свердла, бури тощо
  - 8.4. На несправності, що виникли в результаті перевантаження інструменту (як механічного, так і електричного), що спричинили вихід з ладу одночасно двох і більше деталей і вузлів, таких як: ротора і статора, обох обмоток статора, веденої і ведучої шестерень редуктора або інших вузлів і деталей. До безумовних ознак перевантаження виробу відносяться, крім інших: поява кольорів мінливості, деформація або оплавлення деталей і вузлів виробу, потемніння або обуглювання ізоляції проводів електродвигуна під впливом високої температури.

Товар отриманий в справному стані, без видимих ушкоджень, в повній комплектації, перевірений у моїй присутності, претензій щодо якості товару не маю. З умовами гарантійного обслуговування ознайомлений і згоден.

П. І. Б. та підпис власника \_\_\_\_\_

**Шановні клієнти, наша мережа авторизованих сервісних центрів постійно розширюється. Актуальну інформацію про обслуговування в місті, що цікавить вас, ви можете дізнатися на сайті**

**[www.2helpU.com](http://www.2helpU.com)**

**Інформація про інструмент**

Найменування інструменту	
Модель	
Найменування продавця	
Дата продажу	

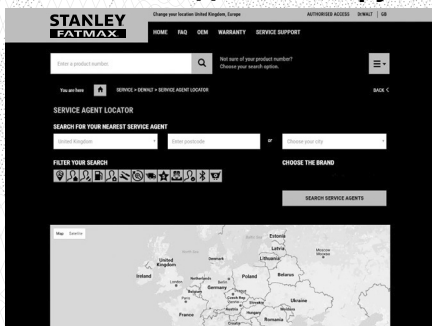
**Серійний номер/Дата виробництва**

Інструмент	
Зарядний пристрій	
Акумулятор 1	
Акумулятор 2	

М.П.  
Продавця

**На сайті [www.2helpU.com](http://www.2helpU.com) доступні наступні функції:**

- Список авторизованих сервісних центрів
- Зручний пошук найближчого сервісного центру
- Керівництво з експлуатації
- Технічні характеристики
- Список деталей і запасних частин
- Схема складання інструменту



**Також дану інформацію ви можете отримати, зателефонувавши за номером:  
0 (800) 211 521 в Україні**

**ВІДМІТКА ПРО ПРОВЕДЕННЯ СЕРВІСНОГО ОБСЛУГОВУВАННЯ**

№1	№2	№3	№4
№ замовлення	№ замовлення	№ замовлення	№ замовлення
Дата прийому	Дата прийому	Дата прийому	Дата прийому
Дата ремонту	Дата ремонту	Дата ремонту	Дата ремонту
Печатка і підпис сервісного центру	Печатка і підпис сервісного центру	Печатка і підпис сервісного центру	Печатка і підпис сервісного центру