

DEWALT®

English (original instructions)	7
--	---

Русский (<i>перевод с оригинала инструкции</i>)	18
---	----

Українська (<i>переклад з оригінальної інструкції</i>)	35
--	----

Fig. A

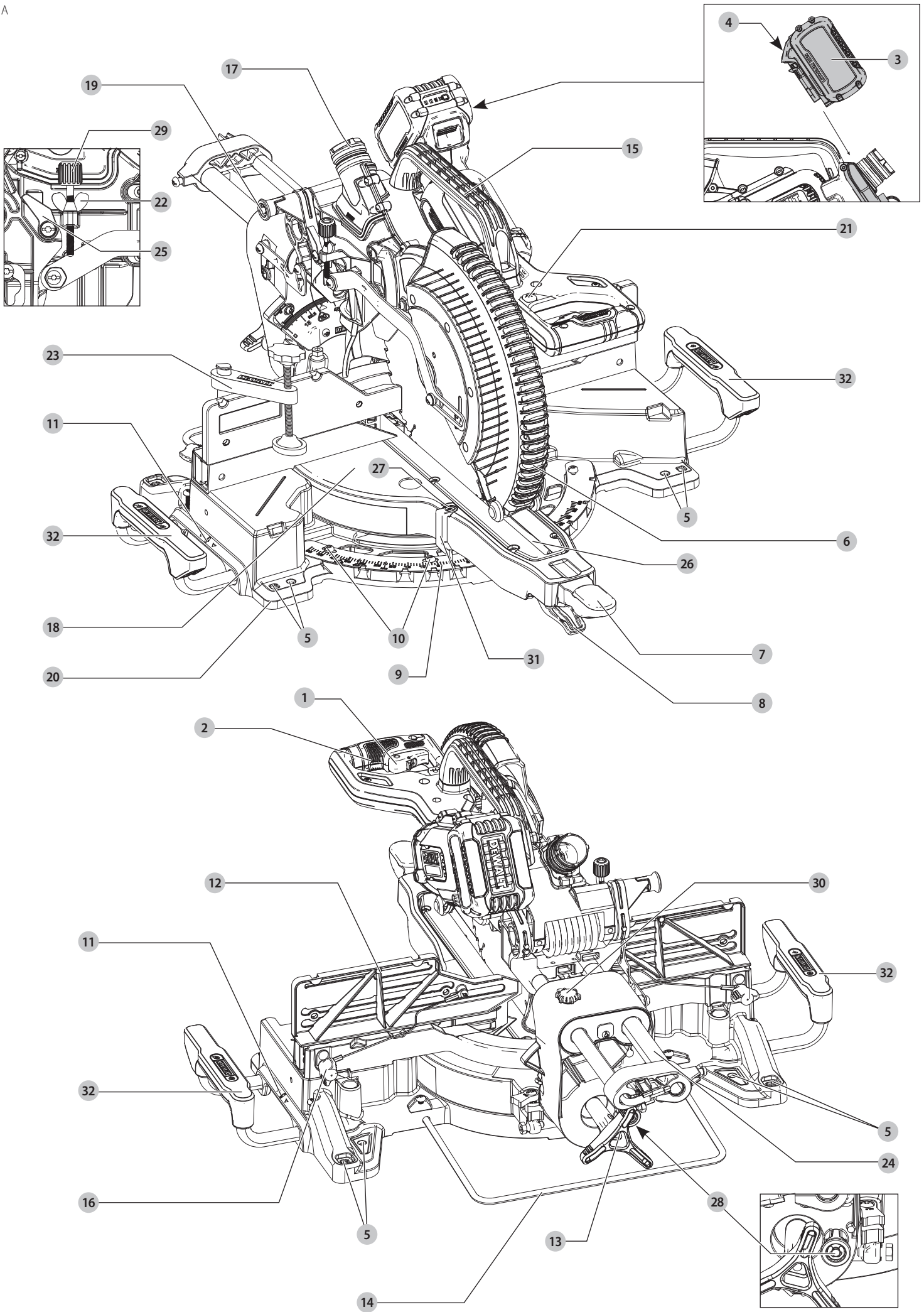


Fig. B

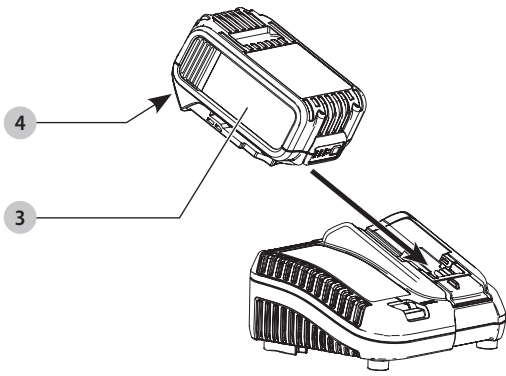


Fig. C

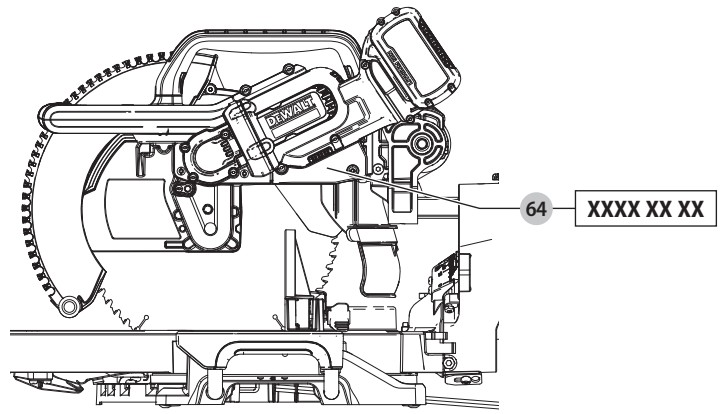


Fig. D

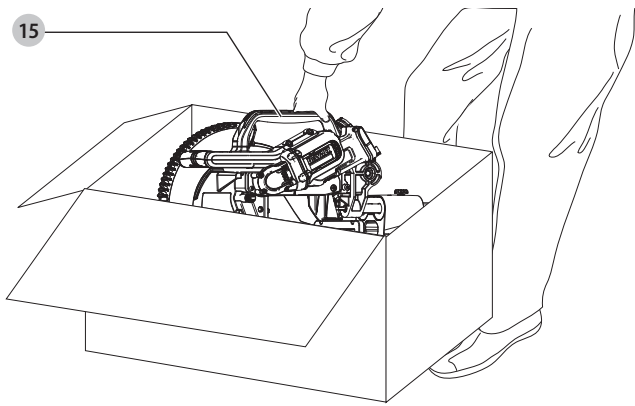


Fig. E

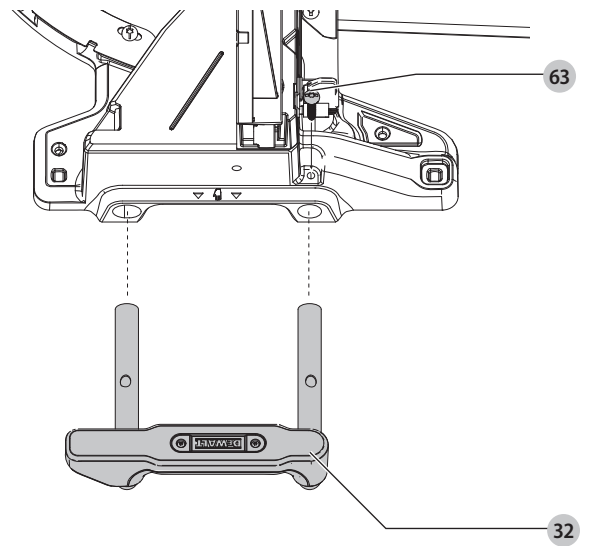


Fig. F

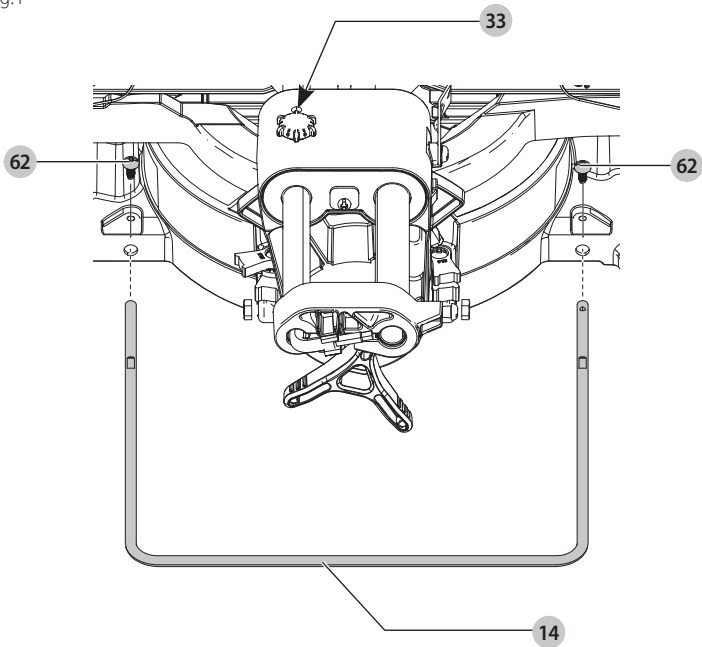


Fig. G

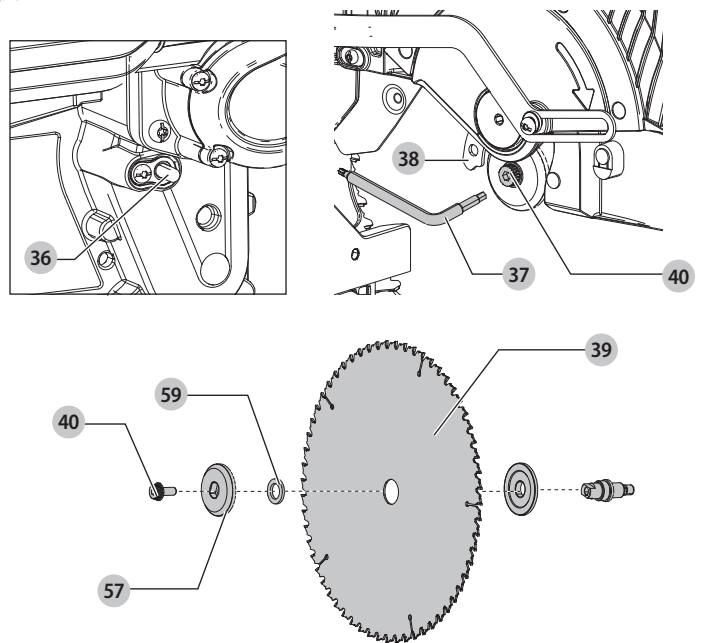


Fig. H

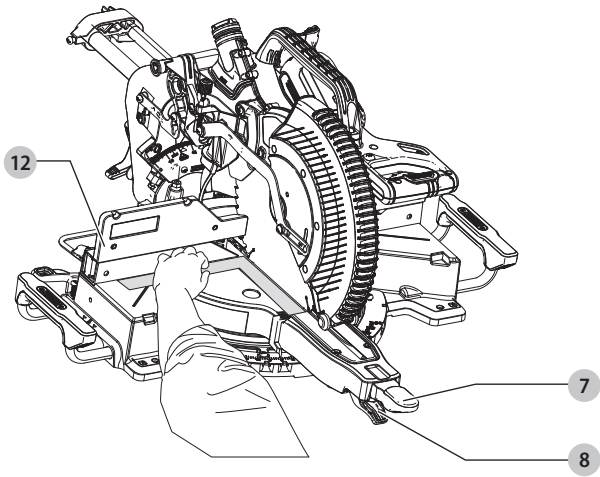


Fig. I

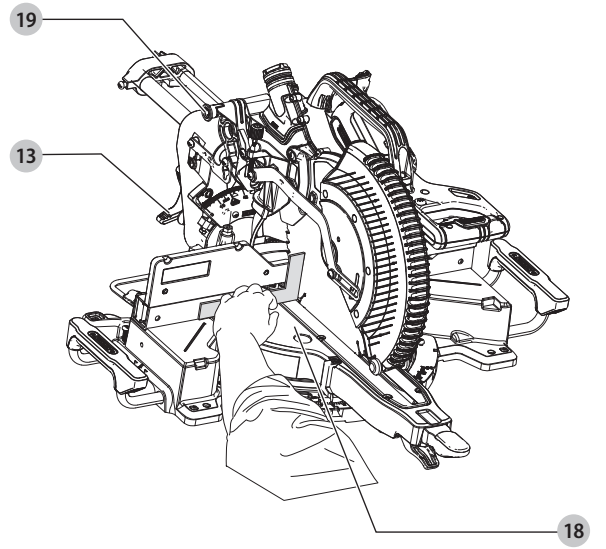


Fig. J

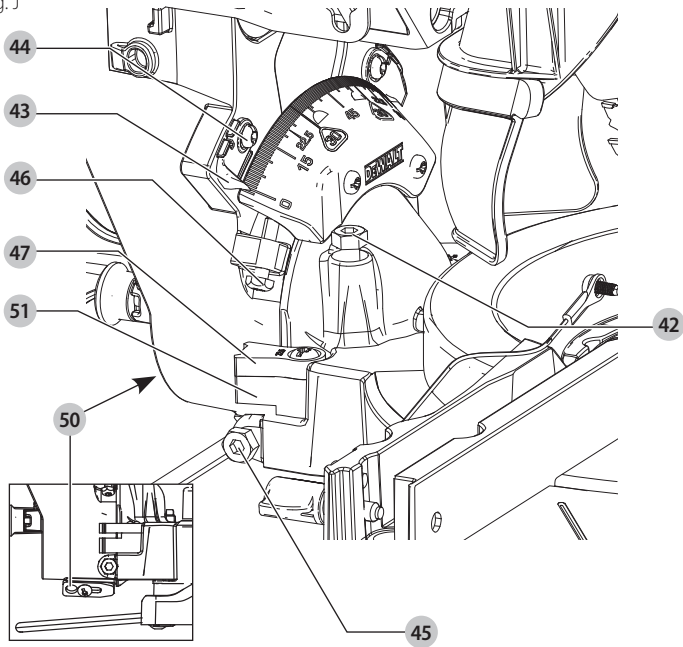


Fig. K

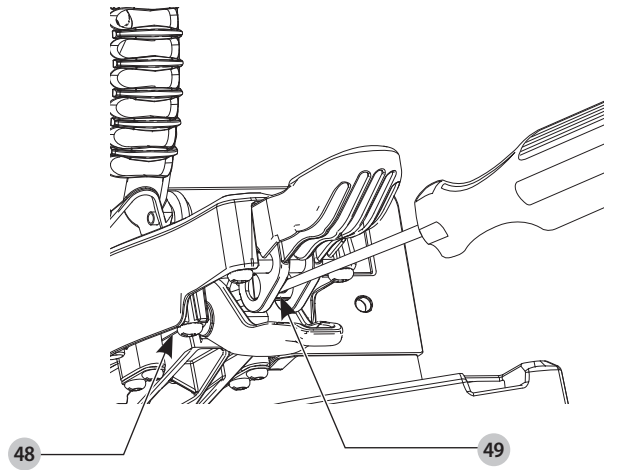


Fig. L1

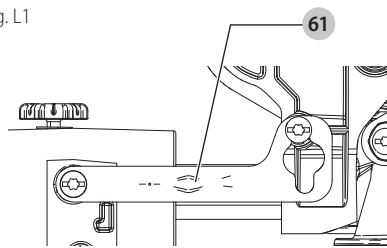


Fig. L2

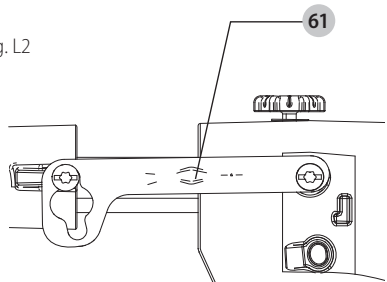


Fig. L3

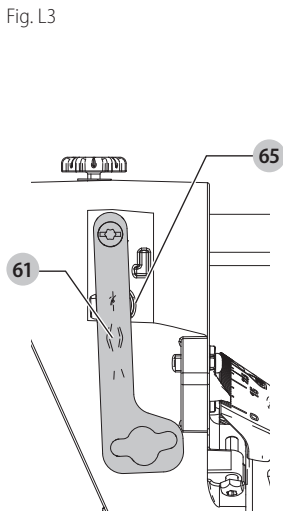


Fig. M

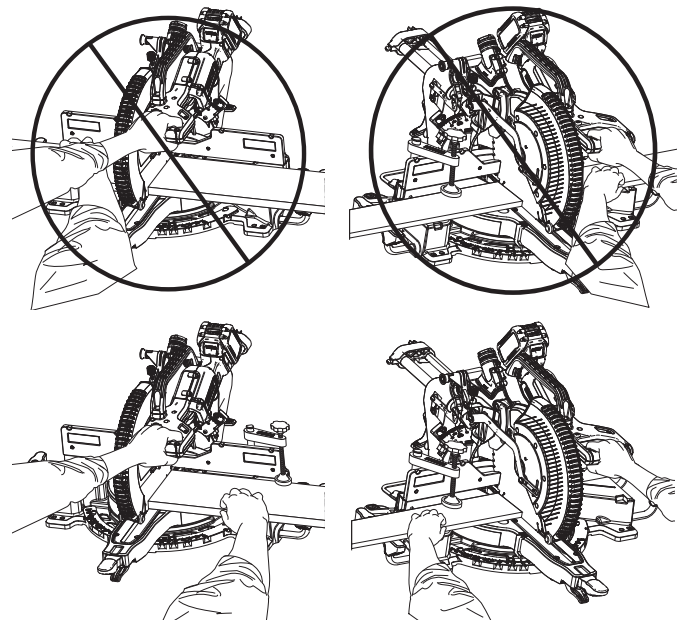


Fig. N

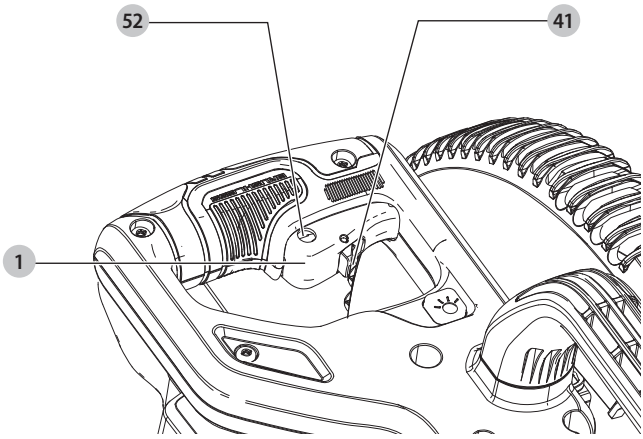


Fig. O

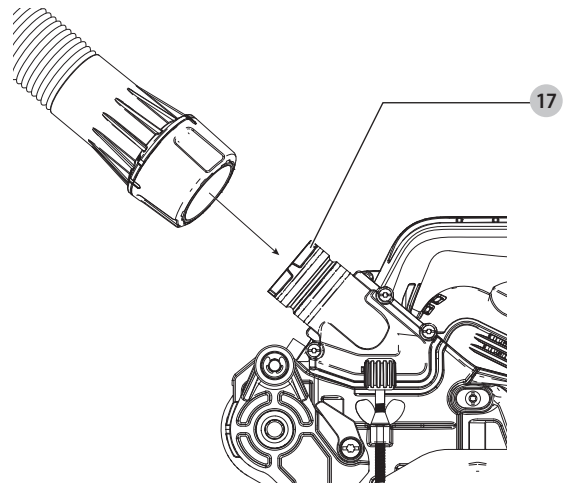


Fig. P

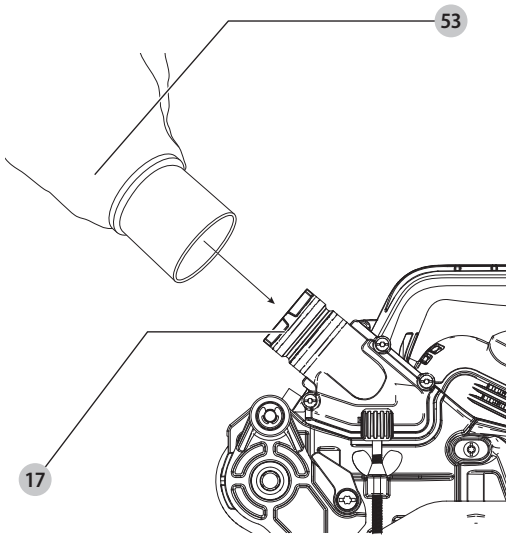


Fig. Q

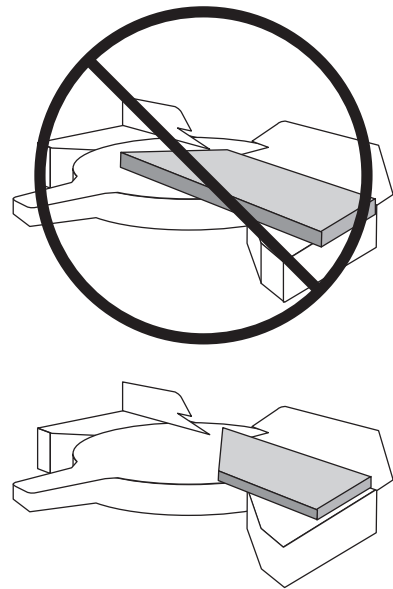


Fig. R

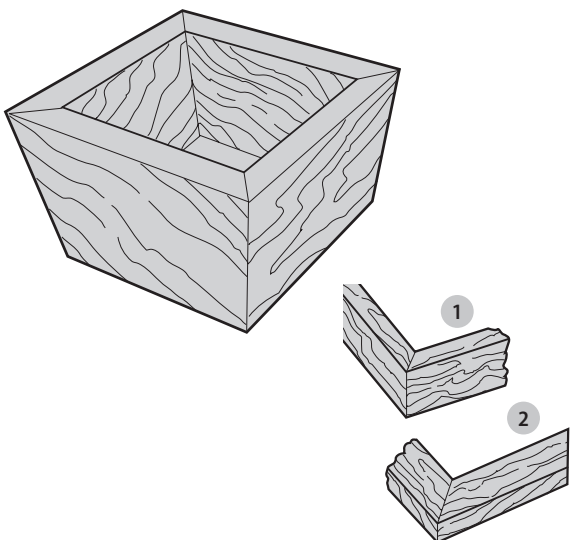


Fig. S

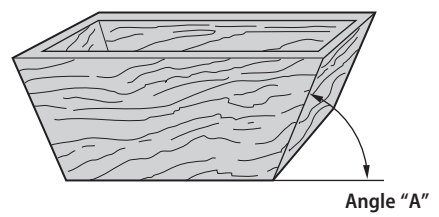


Fig. T

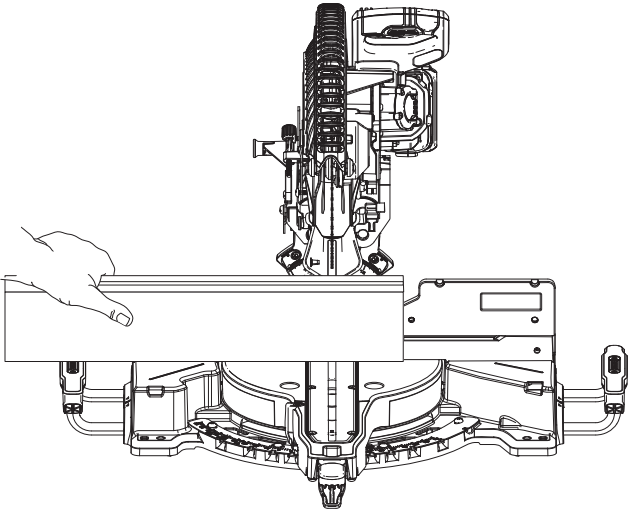


Fig. U

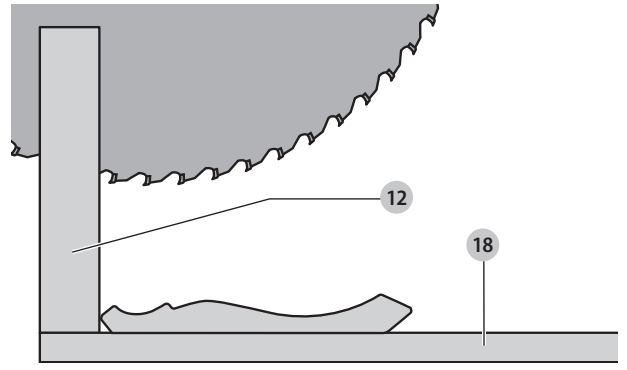


Fig. V

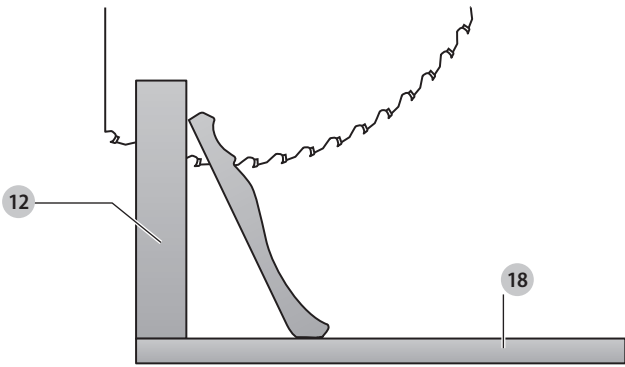


Fig. W

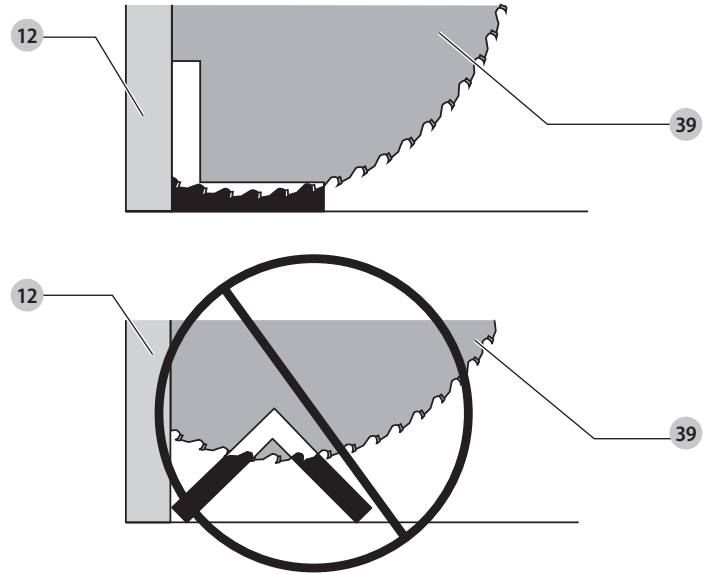


Fig. X

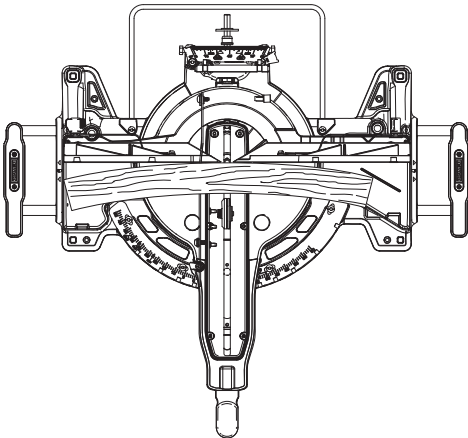
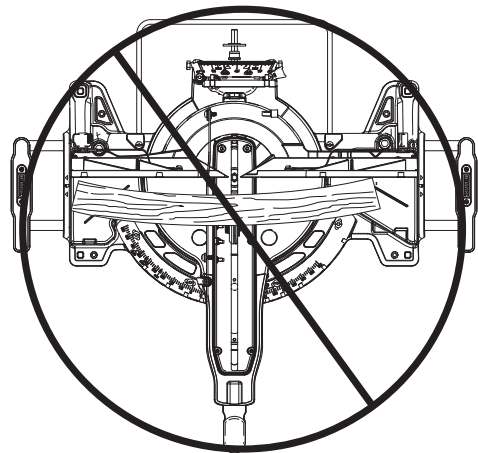
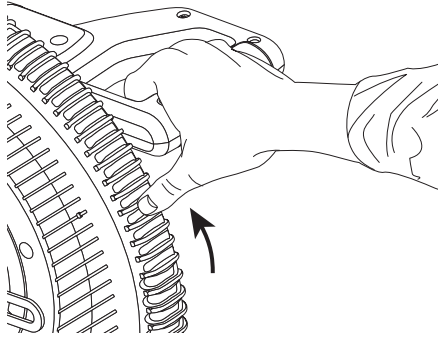


Fig. Y





MITRE SAW

DCS781

You have chosen a DEWALT tool. Years of experience, thorough product development and innovation make DEWALT one of the most reliable partners for professional power tool users.

Technical Data

		DCS781X2-GB	DCS781N-XE/ DCS78X1-XE
Voltage	V _{bc}	54	54
Type		21	21
Battery type		Li-Ion	Li-Ion
Blade diameter	mm	305	305
Blade bore	mm	30	25.4
Blade body thickness	mm	1.6	1.6
Max. kerf thickness	mm	2.2	2.2
Max. blade speed	min ⁻¹	3800	3800
Max. cross-cut capacity 90°	mm	310	310
Max. mitre capacity 45°	mm	219	219
Max. depth of cut 90°	mm	112	112
Max. depth of bevel cross-cut 45°	mm	50	50
Mitre (max. positions)			
	left	50°	50°
	right	60°	60°
Bevel (max. positions)			
	left	49°	49°
	right	49°	49°
0° mitre			
Resulting width at baseboard max. height 165mm	mm	19	19
Resulting width at max height 112 mm	mm	278	278
Resulting height at max width 310 mm	mm	90	90
45° mitre left			
Resulting width at max. height 112mm	mm	197	197
Resulting height at max. width 219mm	mm	90	90
45° mitre right			
Resulting width at max. height 112mm	mm	197	197
Resulting height at max. width 219mm	mm	90	90
45° bevel left			
Resulting width at max. height 60 mm	mm	278	278
Resulting height at max. width 310 mm	mm	54	54
45° bevel right			
Resulting width at max. height 50mm	mm	296	296
Resulting height at max. width 310 mm	mm	40	40
Automatic blade brake time	s	<5	<5
Wireless tool control transmitter			
Frequency band	MHz	433	433
Max. power (EIRP)	mW	0.03	0.03
Weight (without battery pack)	kg	23.2	23.2
Noise values and/or vibration values (triaux vector sum) according to EN62841-3-9:			
L _{PA} (emission sound pressure level)	dB(A)	94.4	94.4
L _{WA} (sound power level)	dB(A)	106.4	106.4
K (uncertainty for the given sound level)	dB(A)	2.5	2.5

The vibration and/or noise emission level given in this information sheet has been measured in accordance with a standardised test given in EN62841 and may be used to compare one tool with another. It may be used for a preliminary assessment of exposure.



WARNING: The declared vibration and/or noise emission level represents the main applications of the tool. However if the tool is used for different applications, with different accessories or poorly maintained, the vibration and/or noise emission may differ. This may significantly increase the exposure level over the total working period.

An estimation of the level of exposure to vibration and/or noise should also take into account the times when the tool is switched off or when it is running but not actually doing the job. This may significantly reduce the exposure level over the total working period.

Identify additional safety measures to protect the operator from the effects of vibration and/or noise such as: maintain the tool and the accessories, keep the hands warm (relevant for vibration), organisation of work patterns.

EC-Declaration of Conformity

Machinery Directive and Radio Equipment Directive



Mitre Saw DCS781

DEWALT declares that these products described under **Technical Data** are in compliance with: 2006/42/EC, EN62841-1:2015 +AC:2015+A11:2022; EN62841-3-9:2020 + A11:2020.

These products also comply with Directive, 2014/53/EU; 2014/30/EU and 2011/65/EU. For more information, please contact DEWALT at the following address or refer to the back of the manual.

The undersigned is responsible for compilation of the technical file and makes this declaration on behalf of DEWALT.

Markus Rompel
Vice President of Engineering, PTE-Europe
DEWALT, Richard-Klinger-Straße 11,
65510, Idstein, Germany
30.11.2022

DECLARATION OF CONFORMITY THE SUPPLY OF MACHINERY (SAFETY) REGULATIONS 2008 AND RADIO EQUIPMENT REGULATION 2017



Mitre Saw DCS781

DEWALT declares that these products described under "technical data" are in compliance with: The Supply of Machinery (Safety) Regulations, 2008, S.I. 2008/1597 (as amended), EN62841-1:2015 +AC:2015+A11:2022; EN62841-3-9:2020 + A11:2020.

These products conform to the following UK Regulations
Radio Equipment Regulation 2017, S.I.2017/1206 (as amended)
Electromagnetic Compatibility Regulations, 2016, S.I.2016/1091 (as amended).

The Restriction of the Use of Certain Hazardous Substances in Electrical and Electronic Equipment Regulations 2012, S.I. 2012/3032 (as amended).

For more information, please contact DEWALT at the following address or refer to the back of the manual.

The undersigned is responsible for compilation of the technical file and makes this declaration on behalf of DEWALT.

Karl Evans
Vice President Professional Power Tools EANZ GTS
DEWALT UK, 270 Bath Road, Slough
SL1 4DX
England
30.11.2022



WARNING: To reduce the risk of injury, read the instruction manual.

Definitions: Safety Guidelines

The definitions below describe the level of severity for each signal word. Please read the manual and pay attention to these symbols.



DANGER: Indicates an imminently hazardous situation which, if not avoided, **will** result in **death or serious injury**.



WARNING: Indicates a potentially hazardous situation which, if not avoided, **could** result in **death or serious injury**.



CAUTION: Indicates a potentially hazardous situation which, if not avoided, **may** result in **minor or moderate injury**.

NOTICE: Indicates a practice **not related to personal injury** which, if not avoided, **may** result in **property damage**.



DENOTES RISK OF ELECTRIC SHOCK.



DENOTES RISK OF FIRE.

Batteries				Chargers/Charge Times (Minutes)**								
Cat #	V _{DC}	Ah	Weight (kg)	DCB104	DCB107	DCB112/ DCB1102	DCB113	DCB115/ DCB1104	DCB116	DCB117	DCB118	DCB132
DCB546	18/54	6.0/2.0	1.08	60	270	170	140	90	80	40	60	90
DCB547/G	18/54	9.0/3.0	1.46	75*	420	270	220	135*	110*	60	75*	135*
DCB548	18/54	12.0/4.0	1.46	120	540	350	300	180	150	80	120	180
DCB549	18/54	15.0/5.0	2.12	125	730	450	380	230	170	90	125	230

*Date code 201811475B or later

**Battery charge times matrix provided for guidance only; charge times will vary depending on temperature and condition of batteries.

GENERAL POWER TOOL SAFETY WARNINGS

WARNING: Read all safety warnings, instructions, illustrations and specifications provided with this power tool. Failure to follow all instructions listed below may result in electric shock, fire and/or serious injury.

SAVE ALL WARNINGS AND INSTRUCTIONS FOR FUTURE REFERENCE.

The term "power tool" in the warnings refers to your mains-operated (corded) power tool or battery-operated (cordless) power tool.

1) Work Area Safety

- Keep work area clean and well lit. Cluttered or dark areas invite accidents.
- Do not operate power tools in explosive atmospheres, such as in the presence of flammable liquids, gases or dust. Power tools create sparks which may ignite the dust or fumes.
- Keep children and bystanders away while operating a power tool. Distractions can cause you to lose control.

2) Electrical Safety

- Power tool plugs must match the outlet. Never modify the plug in any way. Do not use any adapter plugs with earthed (grounded) power tools. Unmodified plugs and matching outlets will reduce risk of electric shock.
- Avoid body contact with earthed or grounded surfaces, such as pipes, radiators, ranges and refrigerators. There is an increased risk of electric shock if your body is earthed or grounded.
- Do not expose power tools to rain or wet conditions. Water entering a power tool will increase the risk of electric shock.
- Do not abuse the cord. Never use the cord for carrying, pulling or unplugging the power tool. Keep cord away from heat, oil, sharp edges or moving parts. Damaged or entangled cords increase the risk of electric shock.
- When operating a power tool outdoors, use an extension cord suitable for outdoor use. Use of a cord suitable for outdoor use reduces the risk of electric shock.
- If operating a power tool in a damp location is unavoidable, use a ground fault circuit interrupter (GFCI) protected supply. Use of a GFCI reduces the risk of electric shock.

3) Personal Safety

- Stay alert, watch what you are doing and use common sense when operating a power tool. Do not use a power tool while you are tired or under the influence of drugs, alcohol or medication. A moment of inattention while operating power tools may result in serious personal injury.
- Use personal protective equipment. Always wear eye protection. Protective equipment such as a dust mask, non-skid safety shoes, hard hat, or hearing protection used for appropriate conditions will reduce personal injuries.
- Prevent unintentional starting. Ensure the switch is in the off-position before connecting to power source and/or battery pack, picking up or carrying the tool. Carrying power tools with your finger on the switch or energizing power tools that have the switch on invites accidents.
- Remove any adjusting key or wrench before turning the power tool on. A wrench or a key left attached to a rotating part of the power tool may result in personal injury.
- Do not overreach. Keep proper footing and balance at all times. This enables better control of the power tool in unexpected situations.
- Dress properly. Do not wear loose clothing or jewelry. Keep your hair, clothing and gloves away from moving parts. Loose clothes, jewelry or long hair can be caught in moving parts.
- If devices are provided for the connection of dust extraction and collection facilities, ensure these are connected and properly used. Use of dust collection can reduce dust-related hazards.
- Do not let familiarity gained from frequent use of tools allow you to become complacent and ignore tool safety principles. A careless action can cause severe injury within a fraction of a second.

4) Power Tool Use and Care

- Do not force the power tool. Use the correct power tool for your application. The correct power tool will do the job better and safer at the rate for which it was designed.
- Do not use the power tool if the switch does not turn it on and off. Any power tool that cannot be controlled with the switch is dangerous and must be repaired.
- Disconnect the plug from the power source and/or remove the battery pack, if detachable, from the power tool before making any adjustments, changing accessories, or storing power tools. Such preventive safety measures reduce the risk of starting the power tool accidentally.
- Store idle power tools out of the reach of children and do not allow persons unfamiliar with the power tool or these instructions to operate the power tool. Power tools are dangerous in the hands of untrained users.

e) Maintain power tools and accessories. Check for misalignment or binding of moving parts, breakage of parts and any other condition that may affect the power tool's operation. If damaged, have the power tool repaired before use. Many accidents are caused by poorly maintained power tools.

f) Keep cutting tools sharp and clean. Properly maintained cutting tools with sharp cutting edges are less likely to bind and are easier to control.

g) Use the power tool, accessories and tool bits etc. in accordance with these instructions, taking into account the working conditions and the work to be performed. Use of the power tool for operations different from those intended could result in a hazardous situation.

h) Keep handles and grasping surfaces dry, clean and free from oil and grease. Slippery handles and grasping surfaces do not allow for safe handling and control of the tool in unexpected situations.

5) Battery Tool Use and Care

- Recharge only with the charger specified by the manufacturer. A charger that is suitable for one type of battery pack may create a risk of fire when used with another battery pack.
- Use power tools only with specifically designated battery packs. Use of any other battery packs may create a risk of injury and fire.
- When battery pack is not in use, keep it away from other metal objects, like paper clips, coins, keys, nails, screws or other small metal objects, that can make a connection from one terminal to another. Shorting the battery terminals together may cause burns or a fire.
- Under abusive conditions, liquid may be ejected from the battery; avoid contact. If contact accidentally occurs, flush with water. If liquid contacts eyes, additionally seek medical help. Liquid ejected from the battery may cause irritation or burns.
- Do not use a battery pack or tool that is damaged or modified. Damaged or modified batteries may exhibit unpredictable behavior resulting in fire, explosion or risk of injury.
- Do not expose a battery pack or tool to fire or excessive temperature. Exposure to fire or temperature above 130 °C may cause explosion.
- Follow all charging instructions and do not charge the battery pack or tool outside the temperature range specified in the instructions. Charging improperly or at temperatures outside the specified range may damage the battery and increase the risk of fire.

6) Service

- Have your power tool serviced by a qualified repair person using only identical replacement parts. This will ensure that the safety of the power tool is maintained.
- Never service damaged battery packs. Service of battery packs should only be performed by the manufacturer or authorised service providers.

Safety Instructions for Mitre Saws

- Mitre saws are intended to cut wood or wood-like products, they cannot be used with abrasive cut-off wheels for cutting ferrous material such as bars, rods, studs, etc. Abrasive dust causes moving parts such as the lower guard to jam. Sparks from abrasive cutting will burn the lower guard, the kerf insert and other plastic parts.
- Use clamps to support the workpiece whenever possible. If supporting the workpiece by hand, you must always keep your hand at least 100 mm from either side of the saw blade. Do not use this saw to cut pieces that are too small to be securely clamped or held by hand. If your hand is placed too close to the saw blade, there is an increased risk of injury from blade contact.
- The workpiece must be stationary and clamped or held against both the fence and the table. Do not feed the workpiece into the blade or cut "freehand" in any way. Unrestrained or moving workpieces could be thrown at high speeds, causing injury.
- Push the saw through the workpiece. Do not pull the saw through the workpiece. To make a cut, raise the saw head and pull it out over the workpiece without cutting, start the motor, press the saw head down and push the saw through the workpiece. Cutting on the pull stroke is likely to cause the saw blade to climb on top of the workpiece and violently throw the blade assembly towards the operator.
- Never cross your hand over the intended line of cutting either in front or behind the saw blade. Supporting the workpiece "cross handed" i.e. holding the workpiece to the right of the saw blade with your left hand or vice versa is very dangerous.
- Do not reach behind the fence with either hand closer than 100 mm from either side of the saw blade, to remove wood scraps, or for any other reason while the blade is spinning. The proximity of the spinning saw blade to your hand may not be obvious and you may be seriously injured.
- Inspect your workpiece before cutting. If the workpiece is bowed or warped, clamp it with the outside bowed face toward the fence. Always make certain that there is no gap between the workpiece, fence and table along the line of the cut.

Bent or warped workpieces can twist or shift and may cause binding on the spinning saw blade while cutting. There should be no nails or foreign objects in the workpiece.

- h) **Do not use the saw until the table is clear of all tools, wood scraps, etc., except for the workpiece.** Small debris or loose pieces of wood or other objects that contact the revolving blade can be thrown with high speed.
- i) **Cut only one workpiece at a time.** Stacked multiple workpieces cannot be adequately clamped or braced and may bind on the blade or shift during cutting.
- j) **Ensure the mitre saw is mounted or placed on a level, firm work surface before use.** A level and firm work surface reduces the risk of the mitre saw becoming unstable.
- k) **Plan your work. Every time you change the bevel or mitre angle setting, make sure the fence will not interfere with the blade or the guarding system.** Without turning the tool "ON" and with no workpiece on the table, move the saw blade through a complete simulated cut to assure there will be no interference or danger of cutting the fence.
- l) **Provide adequate support such as table extensions, saw horses, etc. for a workpiece that is wider or longer than the table top.** Workpieces longer or wider than the mitre saw table can tip if not securely supported. If the cut-off piece or workpiece tips, it can lift the lower guard or be thrown by the spinning blade.
- m) **Do not use another person as a substitute for a table extension or as additional support.** Unstable support for the workpiece can cause the blade to bind or the workpiece to shift during the cutting operation pulling you and the helper into the spinning blade.
- n) **The cut-off piece must not be jammed or pressed by any means against the spinning saw blade.** If confined, i.e. using length stops, the cut-off piece could get wedged against the blade and thrown violently.
- o) **Always use a clamp or a fixture designed to properly support round material such as rods or tubing.** Rods have a tendency to roll while being cut, causing the blade to "bite" and pull the work with your hand into the blade.
- p) **Let the blade reach full speed before contacting the workpiece.** This will reduce the risk of the workpiece being thrown.
- q) **If the workpiece or blade becomes jammed, turn the mitre saw off. Wait for all moving parts to stop and disconnect the plug from the power source and/or remove the battery pack. Then work to free the jammed material.** Continued sawing with a jammed workpiece could cause loss of control or damage to the mitre saw.
- r) **After finishing the cut, release the switch, hold the saw head down and wait for the blade to stop before removing the cut-off piece.** Reaching with your hand near the coasting blade is dangerous.
- s) **Hold the handle firmly when making an incomplete cut or when releasing the switch before the saw head is completely in the down position.** The braking action of the saw may cause the saw head to be suddenly pulled downward, causing a risk of injury.

Additional Safety Rules for Mitre Saws



WARNING: Do not allow familiarity (gained from frequent use of your saw) to replace safety rules. Always remember that a careless fraction of a second is sufficient to inflict severe injury.



WARNING: Never modify the power tool or any part of it. Damage or personal injury could result.



WARNING: Do not insert battery into unit until complete instructions are read and understood

- **DO NOT OPERATE THIS MACHINE** until it is completely assembled and installed according to the instructions. A machine incorrectly assembled can cause serious injury.
- **OBTAIN ADVICE** from your supervisor, instructor, or another qualified person if you are not thoroughly familiar with the operation of this machine. Knowledge is safety..
- **MAKE CERTAIN** the blade rotates in the correct direction. The teeth on the blade should point in the direction of rotation as marked on the saw.
- **TIGHTEN ALL CLAMP HANDLES,** knobs and levers prior to operation. Loose clamps can cause parts or the workpiece to be thrown at high speeds.
- **AVOID UNCONTROLLED RELEASE OF THE SAW HEAD FROM FULLY DOWN POSITION.** Otherwise, there is a risk that the machine will tip over.
- **BE SURE** all blade and blade clamps are clean, recessed sides of blade clamps are against blade and arbor screw is tightened securely. Loose or improper blade clamping may result in damage to the saw and possible personal injury.
- **DO NOT OPERATE ON ANYTHING OTHER THAN THE DESIGNATED VOLTAGE** for the saw. Overheating, damage to the tool and personal injury may occur.
- **DO NOT WEDGE ANYTHING AGAINST THE FAN** to hold the motor shaft. Damage to tool and possible personal injury may occur.
- **NEVER CUT FERROUS METALS** or masonry. Either of these can cause the carbide tips to fly off the blade at high speeds causing serious injury.
- **NEVER HAVE ANY PART OF YOUR BODY IN LINE WITH THE PATH OF THE SAW BLADE.** Personal injury will occur.
- **NEVER APPLY BLADE LUBRICANT TO A RUNNING BLADE.** Applying lubricant could cause your hand to move into the blade resulting in serious injury.
- **DO NOT** place either hand in the blade area when the saw is connected to the power source. Inadvertent blade activation may result in serious injury.
- **NEVER REACH AROUND OR BEHIND THE SAW BLADE.** A blade can cause serious injury.
- **DO NOT REACH UNDERNEATH THE SAW** unless it is unplugged and turned off. Contact with saw blade may cause personal injury.

- **SECURE THE MACHINE TO A STABLE SUPPORTING SURFACE.** Vibration can possibly cause the machine to slide, walk, or tip over, causing serious injury.
- **USE ONLY CROSSCUT SAW BLADES** recommended for mitre saws. For best results, do not use carbide tipped blades with hook angles in excess of 7 degrees. Do not use blades with deep gullets. These can deflect and contact the guard, and can cause damage to the machine and/or serious injury.
- **USE ONLY BLADES OF THE CORRECT SIZE AND TYPE** specified for this tool to prevent damage to the machine and/or serious injury (complying with EN847-1:2017).
- **MAXIMUM SPEED OF THE SAW BLADE** shall always be greater than or at least equal to the speed marked on the rating plate of the tool.
- **THE SAW BLADE DIAMETER** must be in accordance with the markings on rating plate of the tool.
- **INSPECT BLADE FOR CRACKS** or other damage prior to operation. A cracked or damaged blade can come apart and pieces can be thrown at high speeds, causing serious injury. Replace cracked or damaged blades immediately.
- **CLEAN THE BLADE AND BLADE CLAMPS** prior to operation. Cleaning the blade and blade clamps allows you to check for any damage to the blade or blade clamps. A cracked or damaged blade or blade clamp can come apart and pieces can be thrown at high speeds, causing serious injury.
- **DO NOT USE WARPED BLADES.** Check to see if the blade runs true and is free from vibration. A vibrating blade can cause damage to the machine and/or serious injury.
- **DO NOT** use lubricants or cleaners (particularly spray or aerosol) in the vicinity of the plastic guard. The polycarbonate material used in the guard is subject to attack by certain chemicals.
- **KEEP GUARD IN PLACE** and in working order.
- **ALWAYS USE THE KERF PLATE AND REPLACE THIS PLATE WHEN DAMAGED.** Small chip accumulation under the saw may interfere with the saw blade or may cause instability of workpiece when cutting.
- **USE ONLY BLADE CLAMPS SPECIFIED FOR THIS TOOL** to prevent damage to the machine and/or serious injury.
- **CLEAN THE MOTOR AIR SLOTS** of chips and sawdust. Clogged motor air slots can cause the machine to overheat, damaging the machine and possibly causing a short which could cause serious injury.
- **NEVER LOCK THE SWITCH IN THE "ON" POSITION.** Severe personal injury may result.
- **NEVER STAND ON TOOL.** Serious injury could occur if the tool is tipped or if the cutting tool is unintentionally contacted.
- **NEVER LEAVE TOOL RUNNING UNATTENDED. TURN POWER OFF.** Don't leave tool until it comes to a complete stop.
- **MAKE SURE** to use the correct saw blade for the material to be cut.
- **DO NOT USE ABRASIVE WHEELS OR BLADES.** The excessive heat and abrasive particles generated by them may damage the saw and cause personal injury.



WARNING: Cutting plastics, sap coated wood, and other materials may cause melted material to accumulate on the blade tips and the body of the saw blade, increasing the risk of blade overheating and binding while cutting.



WARNING: ALWAYS use safety glasses. Everyday eyeglasses are NOT safety glasses. Also use face or dust mask if cutting operation is dusty. ALWAYS WEAR CERTIFIED SAFETY EQUIPMENT:



WARNING: Some dust created by power sanding, sawing, grinding, drilling, and other construction activities contains chemicals known to the State of California to cause cancer, birth defects or other reproductive harm. Some examples of these chemicals are:

- lead from lead-based paints,
- crystalline silica from bricks and cement and other masonry products, and
- arsenic and chromium from chemically-treated lumber.

Your risk from these exposures varies, depending on how often you do this type of work. To reduce your exposure to these chemicals: work in a well ventilated area, and work with approved safety equipment, such as those dust masks that are specially designed to filter out microscopic particles.

- **Avoid prolonged contact with dust from power sanding, sawing, grinding, drilling, and other construction activities. Wear protective clothing and wash exposed areas with soap and water.** Allowing dust to get into your mouth, eyes, or lay on the skin may promote absorption of harmful chemicals.



WARNING: Use of this tool can generate and/or disperse dust, which may cause serious and permanent respiratory or other injury. Always use approved respiratory protection appropriate for the dust exposure. Direct particles away from face and body.



WARNING: Always wear proper personal hearing protection during use. Under some conditions and duration of use, noise from this product may contribute to hearing loss.

- **Be aware of the following factors influencing exposure to noise:**
 - Use saw blades designed to reduce the emitted noise,
 - Use only well sharpened saw blades, and
 - Use specifically designed noise-reduction saw blades.
- **Air vents often cover moving parts and should be avoided.** Loose clothes, jewelry or long hair can be caught in moving parts.

Residual Risks

The following risks are inherent to the use of saws:

- Injuries caused by touching the rotating parts.
- In spite of the application of the relevant safety regulations and the implementation of safety devices, certain residual risks cannot be avoided. These are:
- Impairment of hearing.
 - Risk of accidents caused by the uncovered parts of the rotating saw blade.

- Risk of injury when changing the blade.
- Risk of squeezing fingers when opening the guards.
- Health hazards caused by breathing dust developed when sawing wood, especially oak, beech and MDF.

The following factors increase the risk of breathing problems:

- No dust extractor connected when sawing wood.
- Insufficient dust extraction caused by uncleaned exhaust filters.

SAVE THESE INSTRUCTIONS

Chargers

DeWALT chargers require no adjustment and are designed to be as easy as possible to operate.

Electrical Safety

The electric motor has been designed for one voltage only. Always check that the battery pack voltage corresponds to the voltage on the rating plate. Also make sure that the voltage of your charger corresponds to that of your mains.



Your DeWALT charger is double insulated in accordance with EN60335; therefore no earth wire is required.

If the supply cord is damaged, it must be replaced only by DeWALT or an authorised service organisation.

Mains Plug Replacement (U.K. & Ireland Only)

If a new mains plug needs to be fitted:

- Safely dispose of the old plug.
- Connect the brown lead to the live terminal in the plug.
- Connect the blue lead to the neutral terminal.



WARNING: No connection is to be made to the earth terminal.

Follow the fitting instructions supplied with good quality plugs. Recommended fuse: 3 A.

Using an Extension Cable

An extension cord should not be used unless absolutely necessary. Use an approved extension cable suitable for the power input of your charger (see **Technical Data**). The minimum conductor size is 1 mm²; the maximum length is 30 m.

When using a cable reel, always unwind the cable completely.

Important Safety Instructions for All Battery Chargers

SAVE THESE INSTRUCTIONS: This manual contains important safety and operating instructions for compatible battery chargers (refer to **Technical Data**).

- Before using charger, read all instructions and cautionary markings on charger, battery pack, and product using battery pack.



WARNING: Shock hazard. Do not allow any liquid to get inside charger. Electric shock may result.



WARNING: We recommend the use of a residual current device with a residual current rating of 30mA or less.



CAUTION: Burn hazard. To reduce the risk of injury, charge only DeWALT rechargeable batteries. Other types of batteries may burst causing personal injury and damage.



CAUTION: Children should be supervised to ensure that they do not play with the appliance.

NOTICE: Under certain conditions, with the charger plugged into the power supply, the exposed charging contacts inside the charger can be shorted by foreign material. Foreign materials of a conductive nature such as, but not limited to, steel wool, aluminum foil or any buildup of metallic particles should be kept away from charger cavities. Always unplug the charger from the power supply when there is no battery pack in the cavity. Unplug charger before attempting to clean.

- **DO NOT attempt to charge the battery pack with any chargers other than the ones in this manual.** The charger and battery pack are specifically designed to work together.
- **These chargers are not intended for any uses other than charging DeWALT rechargeable batteries.** Any other uses may result in risk of fire, electric shock or electrocution.
- **Do not expose charger to rain or snow.**
- **Pull by plug rather than cord when disconnecting charger.** This will reduce risk of damage to electric plug and cord.
- **Make sure that cord is located so that it will not be stepped on, tripped over, or otherwise subjected to damage or stress.**
- **Do not use an extension cord unless it is absolutely necessary.** Use of improper extension cord could result in risk of fire, electric shock, or electrocution.
- **Do not place any object on top of charger or place the charger on a soft surface that might block the ventilation slots and result in excessive internal heat.** Place the charger in a position away from any heat source. The charger is ventilated through slots in the top and the bottom of the housing.
- **Do not operate charger with damaged cord or plug—have them replaced immediately.**
- **Do not operate charger if it has received a sharp blow, been dropped, or otherwise damaged in any way.** Take it to an authorised service centre.
- **Do not disassemble charger; take it to an authorised service centre when service or repair is required.** Incorrect reassembly may result in a risk of electric shock, electrocution or fire.
- In case of damaged power supply cord, the supply cord must be replaced immediately by the manufacturer, its service agent or similar qualified person to prevent any hazard.

- **Disconnect the charger from the outlet before attempting any cleaning. This will reduce the risk of electric shock.** Removing the battery pack will not reduce this risk.
- **NEVER attempt to connect two chargers together.**
- **The charger is designed to operate on standard 230V household electrical power. Do not attempt to use it on any other voltage.** This does not apply to the vehicular charger.

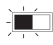





Charging a Battery (Fig. B)

1. Plug the charger into an appropriate outlet before inserting battery pack.
2. Insert the battery pack **3** into the charger, making sure the battery pack is fully seated in the charger. The red (charging) light will blink repeatedly indicating that the charging process has started.
3. The completion of charge will be indicated by the red light remaining ON continuously. The battery pack is fully charged and may be used at this time or left in the charger. To remove the battery pack from the charger, push the battery release button **4** on the battery pack.

NOTE: To ensure maximum performance and life of lithium-ion battery packs, charge the battery pack fully before first use.

Charger Operation

Refer to the indicators below for the charge status of the battery pack.

Charge Indicators		
	Charging	
	Fully Charged	
	Hot/Cold Pack Delay*	

*The red light will continue to blink, but a yellow indicator light will be illuminated during this operation. Once the battery pack has reached an appropriate temperature, the yellow light will turn off and the charger will resume the charging procedure.

The compatible charger(s) will not charge a faulty battery pack. The charger will indicate faulty battery by refusing to light.

NOTE: This could also mean a problem with a charger.

If the charger indicates a problem, take the charger and battery pack to be tested at an authorised service centre.

Hot/Cold Pack Delay

When the charger detects a battery pack that is too hot or too cold, it automatically starts a Hot/Cold Pack Delay, suspending charging until the battery pack has reached an appropriate temperature. The charger then automatically switches to the pack charging mode. This feature ensures maximum battery pack life.

A cold battery pack will charge at a slower rate than a warm battery pack. The battery pack will charge at that slower rate throughout the entire charging cycle and will not return to maximum charge rate even if the battery pack warms.

The DCB118 charger is equipped with an internal fan designed to cool the battery pack. The fan will turn on automatically when the battery pack needs to be cooled. Never operate the charger if the fan does not operate properly or if ventilation slots are blocked. Do not permit foreign objects to enter the interior of the charger.

Electronic Protection System

XR Li-Ion tools are designed with an Electronic Protection System that will protect the battery pack against overloading, overheating or deep discharge.

The tool will automatically turn off if the Electronic Protection System engages. If this occurs, place the lithium-ion battery pack on the charger until it is fully charged.

Wall Mounting

These chargers are designed to be wall mountable or to sit upright on a table or work surface. If wall mounting, locate the charger within reach of an electrical outlet, and away from a corner or other obstructions which may impede air flow. Use the back of the charger as a template for the location of the mounting screws on the wall. Mount the charger securely using drywall screws (purchased separately) at least 25.4 mm long with a screw head diameter of 7–9 mm, screwed into wood to an optimal depth leaving approximately 5.5 mm of the screw exposed. Align the slots on the back of the charger with the exposed screws and fully engage them in the slots.

Charger Cleaning Instructions



WARNING: Shock hazard. Disconnect the charger from the AC outlet before cleaning. Dirt and grease may be removed from the exterior of the charger using a cloth or soft non-metallic brush. Do not use water or any cleaning solutions. Never let any liquid get inside the tool; never immerse any part of the tool into a liquid.

Battery Packs

Important Safety Instructions for All Battery Packs


When ordering replacement battery packs, be sure to include catalogue number and voltage. The battery pack is not fully charged out of the carton. Before using the battery pack and charger, read the safety instructions below. Then follow charging procedures outlined.


READ ALL INSTRUCTIONS

- **Do not charge or use battery in explosive atmospheres, such as in the presence of flammable liquids, gases or dust.** Inserting or removing the battery from the charger may ignite the dust or fumes.

- **Never force battery pack into charger. Do not modify battery pack in any way to fit into a non-compatible charger as battery pack may rupture causing serious personal injury.**
- Charge the battery packs only in DEWALT chargers.
- **DO NOT splash or immerse in water or other liquids.**
- **Do not store or use the tool and battery pack in locations where the temperature may fall below 4 °C (39.2 °F) (such as outside sheds or metal buildings in winter), or reach or exceed 40 °C (104 °F) (such as outside sheds or metal buildings in summer).**
- **Do not incinerate the battery pack even if it is severely damaged or is completely worn out.** The battery pack can explode in a fire. Toxic fumes and materials are created when lithium-ion battery packs are burned.
- **If battery contents come into contact with the skin, immediately wash area with mild soap and water.** If battery liquid gets into the eye, rinse water over the open eye for 15 minutes or until irritation ceases. If medical attention is needed, the battery electrolyte is composed of a mixture of liquid organic carbonates and lithium salts.
- **Contents of opened battery cells may cause respiratory irritation.** Provide fresh air. If symptoms persists, seek medical attention.


 **WARNING:** Burn hazard. Battery liquid may be flammable if exposed to spark or flame.

 **WARNING:** Never attempt to open the battery pack for any reason. If battery pack case is cracked or damaged, do not insert into charger. Do not crush, drop or damage battery pack. Do not use a battery pack or charger that has received a sharp blow, been dropped, run over or damaged in any way (i.e., pierced with a nail, hit with a hammer, stepped on). Electric shock or electrocution may result. Damaged battery packs should be returned to service centre for recycling.

 **WARNING:** Fire hazard. Do not store or carry the battery pack so that metal objects can contact exposed battery terminals. For example, do not place the battery pack in aprons, pockets, tool boxes, product kit boxes, drawers, etc., with loose nails, screws, keys, etc.

 **CAUTION:** When not in use, place tool on its side on a stable surface where it will not cause a tripping or falling hazard. Some tools with large battery packs will stand upright on the battery pack but may be easily knocked over.

Transportation

 **WARNING: Fire hazard.** Transporting batteries can possibly cause fire if the battery terminals inadvertently come in contact with conductive materials. When transporting batteries, make sure that the battery terminals are protected and well insulated from materials that could contact them and cause a short circuit. **NOTE:** Lithium-ion batteries should not be put in checked baggage.

DEWALT batteries comply with all applicable shipping regulations as prescribed by industry and legal standards which include UN Recommendations on the Transport of Dangerous Goods; International Air Transport Association (IATA) Dangerous Goods Regulations, International Maritime Dangerous Goods (IMDG) Regulations, and the European Agreement Concerning The International Carriage of Dangerous Goods by Road (ADR). Lithium-ion cells and batteries have been tested to section 38.3 of the UN Recommendations on the Transport of Dangerous Goods Manual of Tests and Criteria.

In most instances, shipping a DEWALT battery pack will be excepted from being classified as a fully regulated Class 9 Hazardous Material. In general, only shipments containing a lithium-ion battery with an energy rating greater than 100 Watt Hours (Wh) will require being shipped as fully regulated Class 9. All lithium-ion batteries have the Watt Hour rating marked on the pack. Furthermore, due to regulation complexities, DEWALT does not recommend air shipping lithium-ion battery packs alone regardless of Watt Hour rating. Shipments of tools with batteries (combo kits) can be air shipped as excepted if the Watt Hour rating of the battery pack is no greater than 100 Wh.

Regardless of whether a shipment is considered excepted or fully regulated, it is the shipper's responsibility to consult the latest regulations for packaging, labeling/marketing and documentation requirements.

The information provided in this section of the manual is provided in good faith and believed to be accurate at the time the document was created. However, no warranty, expressed or implied, is given. It is the buyer's responsibility to ensure that its activities comply with the applicable regulations.

Transporting the FLEXVOLT™ Battery

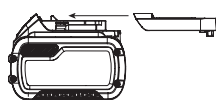
The DEWALT FLEXVOLT™ battery has two modes: **Use** and **Transport**.

Use Mode: When the FLEXVOLT™ battery stands alone or is in a DEWALT 18V product, it will operate as an 18V battery. When the FLEXVOLT™ battery is in a 54V or a 108V (two 54V batteries) product, it will operate as a 54V battery.

Transport Mode: When the cap is attached to the FLEXVOLT™ battery, the battery is in Transport mode. Keep the cap for shipping.

When in Transport mode, strings of cells are electrically disconnected within the pack resulting in 3 batteries with a lower Watt hour (Wh) rating as compared to 1 battery with a higher Watt hour rating. This increased quantity of 3 batteries with the lower Watt hour rating can exempt the pack from certain shipping regulations that are imposed upon the higher Watt hour batteries.

For example, the Transport Wh rating might indicate 3 x 36 Wh, meaning 3 batteries of 36 Wh each. The Use Wh rating might indicate 108 Wh (1 battery implied).



Example of Use and Transport Label Marking










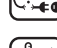
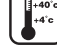


 **Use: 108 Wh**
 **Transport: 3x36 Wh**

Storage Recommendations

1. The best storage place is one that is cool and dry away from direct sunlight and excess heat or cold. For optimum battery performance and life, store battery packs at room temperature when not in use.
2. For long storage, it is recommended to store a fully charged battery pack in a cool, dry place out of the charger for optimal results.

Labels on Charger and Battery Pack

In addition to the pictographs used in this manual, the labels on the charger and the battery pack may show the following pictographs:

-  Read instruction manual before use.
-  See **Technical Data** for charging time.
-  Do not probe with conductive objects.
-  Do not charge damaged battery packs.
-  Do not expose to water.
-  Have defective cords replaced immediately
-  Charge only between 4 °C and 40 °C.
-  Only for indoor use.
-  Discard the battery pack with due care for the environment.
-  Charge battery packs only with designated DEWALT chargers. Charging battery packs other than the designated DEWALT batteries with a DEWALT charger may make them burst or lead to other dangerous situations.
-  Do not incinerate the battery pack.
-  USE (without transport cap). Example: Wh rating indicates 108 Wh (1 battery with 108 Wh).
-  TRANSPORT (with built-in transport cap). Example: Wh rating indicates 3 x 36 Wh (3 batteries of 36 Wh).

Battery Type

The DCS781 operates on a 54 volt battery pack.

These battery packs may be used: DCB546, DCB547, DCB548. Refer to **Technical Data** for more information.

Package Contents

The package contains:





- 1 DCS781 mitre saw
- 1 Stabilizer bar
- 1 DEWALT 305 mm diameter saw blade
- 2 Base extensions
- 1 Material clamp
- 1 Charger (Kit only)
- 1 Battery (Kit only)

In bag:

- 1 Dust bag
- 1 Blade wrench
- 1 Instruction manual
- Check for damage to the tool, parts or accessories which may have occurred during transport.
- Take the time to thoroughly read and understand this manual prior to operation.

Markings on Tool

The following pictographs are shown on the tool:

-  Read instruction manual before use.
-  Wear ear protection.
-  Wear eye protection.
-  Keep hands away from blade.



Keep hands 100 mm from either side of saw blade.



Do not stare directly into the light source.



Carrying point.

Date Code Position (Fig. C)

The Date Code **64**, which also includes the year of manufacture, is printed into the housing.

2022 XX XX
Year of Manufacture

Description (Fig. A)

WARNING: Never modify the power tool or any part of it. Damage or personal injury could result.

- | | |
|--------------------------|----------------------------|
| 1 Trigger switch | 17 Dust port |
| 2 Operating handle | 18 Table |
| 3 Battery | 19 Head lock knob |
| 4 Battery release button | 20 Base |
| 5 Mounting holes | 21 XPS On switch |
| 6 Lower guard | 22 Wing nut |
| 7 Mitre lock handle | 23 Vertical material clamp |
| 8 Mitre detent latch | 24 Rails |
| 9 Mitre scale | 25 Depth stop |
| 10 Mitre scale screws | 26 Kerf plate |
| 11 Hand indentations | 27 Mitre pointer screw |
| 12 Fence | 28 0° bevel stop |
| 13 Bevel lock knob | 29 Depth adjustment screw |
| 14 Stabilizer | 30 Rail lock knob |
| 15 Lifting handle | 31 Mitre scale pointer |
| 16 Fence adjustment knob | 32 Extension |

Intended Use

Your DeWALT cordless compact mitre saw has been designed for professional cutting wood, wood products and plastics. When using the appropriate saw blades, sawing aluminum is also possible. It performs the sawing operations of cross-cutting, bevelling and mitring easily, accurately and safely.

This unit is designed for use with a nominal blade diameter 305 mm carbide tip blade.

DO NOT use under wet conditions or in presence of flammable liquids or gases.

These mitre saws are professional power tools.

DO NOT let children come into contact with the tool. Supervision is required when inexperienced operators use this tool.

WARNING! Do not use the machine for purposes other than intended.

- **Young children and the infirm.** This appliance is not intended for use by young children or infirm persons without supervision.
- This product is not intended for use by persons (including children) suffering from diminished physical, sensory or mental abilities; lack of experience, knowledge or skills unless they are supervised by a person responsible for their safety. Children should never be left alone with this product.

Familiarization (Fig. A, D)

Your mitre saw is not fully assembled in the carton. Refer to **Assembling the Base Extensions** and **Assembling the Stabilizer Bar** sections for assembly instructions. Open the box and lift the saw out by the convenient lifting handle **15**, as shown in Figure D.

Place the saw on a smooth, flat surface such as a workbench or strong table.

Examine Figure A to become familiar with the saw and its various parts. The section on adjustments will refer to these terms and you must know what and where the parts are.

CAUTION: Pinch Hazard. To reduce the risk of injury, keep thumb underneath the handle when pulling the handle down. The lower guard will move up as the handle is pulled down which could cause pinching. The handle is placed close to the guard for special cuts.

Press down lightly on the operating handle **2** and pull the head lock knob **19** and rotate 90 degrees. Gently release the downward pressure and hold the arm allowing it to rise to its full height. Use the head lock knob when carrying the saw from one place to another. Always use the lifting handle **15** to transport the saw or the hand indentations **11** shown in Figure A.

Use of CUTLINE™ LED Worklight (Fig. A)

CAUTION: Do not stare into worklight. Serious eye injury could result.

NOTE: The battery must be charged and connected to the mitre saw.

The CUTLINE™ LED Worklight can be turned on by the momentary switch **21**. The light will automatically turn off within 20 seconds if the saw is not in use. The light is also activated automatically every time the tool's main trigger **1** is pulled.

To cut through an existing pencil line on a piece of wood, turn on the CUTLINE™ worklight using the momentary switch **21** (not with the main trigger), then pull down on the operating handle **2** to bring the saw blade close to the wood. The shadow of the blade will appear on the wood. This shadow line represents the material that the blade will remove when

performing a cut. To correctly locate your cut to the pencil line, align the pencil line with the edge of the blade's shadow. Keep in mind that you may have to adjust the mitre or bevel angles in order to match the pencil line exactly.

Your saw is equipped with a battery monitoring feature. The CUTLINE™ worklight begins to flash when the battery is near the end of its useful charge and/or when the battery is too hot. Charge the battery prior to continuing cutting applications. Refer to **Charging Procedure** under **Important Safety Instructions for All Battery Chargers** for battery charging instructions.

Mitre Control (Fig. A)

The mitre lock lever and mitre detent latch allow you to mitre your saw to 60° right and 50° left. To mitre the saw, lift the mitre lock lever **7**, squeeze the mitre detent latch **8** and move the mitre arm to the angle desired on the mitre scale **9** as shown at the mitre scale pointer **31**. Push down on the mitre lock lever to lock the mitre arm in place.

ASSEMBLY AND ADJUSTMENTS

WARNING: To reduce the risk of serious personal injury, turn machine off and disconnect battery pack before making any adjustments or removing/installing attachments or accessories. An accidental start-up can cause injury.

WARNING: Use only DEWALT battery packs and chargers.

Assembling the Base Extensions (Fig. E)

WARNING: Base extensions must be assembled to both sides of the saw's base before using the saw.

1. The extension **32** should be oriented as shown in Figure E, sliding fully into the U-shaped supports. Do not use the saw without mounted extensions!
2. Clamp the extension's rods against the mitre saw base by inserting the extension screw **63** entirely through and the clamp.
3. Repeat steps 1 and 2 on the other side.

Bench Mounting (Fig. A)

Mounting holes **5** are provided in all 4 feet to facilitate bench mounting, as shown in Figure A. (Two different-sized holes are provided to accommodate different sizes of screws. Use either hole, it is not necessary to use both.) Always mount your saw firmly to a stable surface to prevent movement. To enhance the tool's portability, it can be mounted to a piece of 12.7 mm or thicker plywood which can then be clamped to your work support or moved to other job sites and reclaimed.

NOTE: If you elect to mount your saw to a piece of plywood, make sure that the mounting screws don't protrude from the bottom of the wood. The plywood must sit flush on the work support. When clamping the saw to any work surface, clamp only on the clamping bosses where the mounting screw holes are located. Clamping at any other point will surely interfere with the proper operation of the saw.

CAUTION: To prevent binding and inaccuracy, be sure the mounting surface is not warped or otherwise uneven. If the saw rocks on the surface place a thin piece of material under one saw foot until the saw sits firmly on the mounting surface.

Assembling the Stabilizer Bar (Fig. F)

Your saw includes one base stabilizer **14**. This must be installed before using your saw. Insert the stabilizer into the holes in the back of the unit. Move the stabilizer in or out until it contacts the work surface. Then tighten the screws **62** in the base to fasten the stabilizer.

Changing or Installing a New Saw Blade (Fig. A, G)

WARNING: To reduce the risk of serious personal injury, turn tool off, remove the battery pack, and place lock lever in the transport position before transporting, making any adjustments, cleaning, repairing, or removing/installing attachments or accessories. An accidental start-up can cause injury.

WARNING: To reduce the risk of injury, wear gloves when handling the saw blade.

CAUTION:

- Never depress the spindle lock button while the blade is under power or coasting.
- Do not cut ferrous metal (containing iron or steel) or masonry or fiber cement product with this mitre saw.

WARNING! Be aware the saw blade shall be replaced in the described way only. Only use saw blades as specified in section **Optional Accessories**.

Removing the Blade (Fig. A, G)

1. Remove battery pack **3** from the saw.
2. Raise the arm to the upper position and raise the lower guard **6** as far as possible.
3. Depress the spindle lock button **36** while carefully rotating the saw blade by hand until the lock engages.
4. Using your finger, pivot the blade bolt plate **38** to gain access to blade bolt head **40**.
5. Keeping the spindle lock button depressed and blade bolt plate pushed out of the way, use the blade wrench **37** provided to loosen blade screw. (Turn clockwise, left-hand threads.) Remove the blade screw.
6. Proceed to remove the outer clamp washer, blade adaptor and saw blade.

Installing a Blade (Fig. A, G)

1. Remove battery pack **3** from the saw.
2. Raise the saw head to the upper position and raise the lower guard **6** as far as possible. Place the blade **39** on the spindle, following by the blade adaptor **59** then outer clamp

washer **57**. Make sure to match arrow direction on blade with the arrow direction on guard plate.

- Depress the spindle lock button **36** while carefully rotating the saw blade by hand until the lock engages.
- Using your finger, push back the blade bolt plate **38** to gain access to blade bolt head **40**.
- Keeping the spindle lock button depressed and blade bolt plate pushed out of the way, use the blade wrench **37** provided to firmly tighten the blade screw. (Turn anti-clockwise, left-hand threads.)

Kerf Plate Replacement (Fig. A)

- To remove the kerf plate **26**, remove the screws holding the kerf plate in place and replace with a new one.
- Assemble the screws back in by following this sequence: First through the round holes located halfway from the ends, then through the slots at the ends. No adjustment is necessary.

Mitre Scale Adjustment (Fig. A, H)

Unlock the mitre lock handle **7** and swing the mitre arm until the mitre latch **8** locks it at the 0° mitre position. Do not lock the mitre lock handle. Place a square against the saw's fence and blade, as shown. (Do not touch the tips of the blade teeth with the square. To do so will cause an inaccurate measurement.) If the saw blade is not exactly perpendicular to the fence **12**, loosen the four mitre scale screws **10** that hold the mitre scale and move the mitre lock handle and the scale left or right until the blade is perpendicular to the fence, as measured with the square. Retighten the four screws. Pay no attention to the reading of the mitre pointer at this time.

Mitre Pointer Adjustment (Fig. A)

Unlock the mitre lock handle **7** to move the mitre arm to the zero position. With the mitre lock handle unlocked, squeeze the mitre detent latch **8** and allow the mitre latch to snap into place as you rotate the mitre arm to zero. Observe the mitre pointer **31** and mitre scale **9** shown in Figure A. If the pointer does not indicate exactly zero, loosen the mitre pointer screw **27** holding the pointer in place, reposition the pointer and tighten the screw.

Bevel Square to Table (Fig. A, I, J)

To align the blade square to the table **18**, lock the arm in the down position with the lock down pin **19**. Place a square against the blade, ensuring the square is not on top of a tooth. Loosen the bevel lock knob **13** and ensure the arm is firmly against the 0° bevel stop. Rotate the 0° bevel adjustment screw **42** with the 6 mm blade wrench as necessary so that the blade is at 0° bevel to the table.

Bevel Pointer (Fig. J)

If the bevel pointer **43** does not indicate zero, loosen the screw **44** that holds it in place and move the pointer as necessary. Ensure the 0° bevel is correct and the bevel pointers are set before adjusting any other bevel angle screws.

Adjusting the Bevel Stop to 45° Left or Right (Fig. A, J)

To adjust the right 45° bevel angle, loosen the bevel lock knob **13** and pull the 0° bevel stop and rotate 90° to override the 0° bevel stop. When the saw is fully to the right, if the bevel pointer does not indicate exactly 45°, turn the left 45° bevel adjustment screw **45** with the 6 mm blade wrench until the bevel pointer indicates 45°.

To adjust the left 45° bevel stop, first loosen the bevel lock knob and tilt the head to the left. If the bevel pointer does not indicate exactly 45°, turn the right 45° bevel adjustment screw **45** until the bevel pointer **43** reads 45°.

Adjusting the Bevel Stop to 22.5° (or 33.9°) (Fig. A, J)

NOTE: Adjust the bevel angles only after performing the 0° bevel angle and bevel pointer adjustment.

- To set the left 22.5° bevel angle, flip out the left 22.5° bevel pawl **47**. Loosen the bevel lock knob **13** and tilt the head fully to the left. If the bevel pointer does not indicate exactly 22.5°, turn the crown adjustment screw **46** contacting the pawl with a 10 mm wrench until the bevel pointer reads 22.5°.
- To adjust the right 22.5° bevel angle, flip out the right 22.5° bevel pawl. Loosen the bevel lock knob and pull the 0° bevel stop and rotate 90 degrees to override the 0° bevel stop. When the saw is fully to the right, if the bevel pointer does not indicate exactly 22.5°, turn the crown adjustment screw contacting the pawl with a 10 mm wrench until the bevel pointer indicates exactly 22.5°.

Fence Adjustment (Fig. A)

In order that the saw can bevel to many bevel positions, one of the fences may have to be adjusted to provide clearance. To adjust each fence, loosen the fence adjustment knob **16** and slide the fence outward. Make a dry run with the saw turned off and check for clearance. Adjust the fence to be as close to the blade as practical to provide maximum workpiece support, without interfering with arm up and down movement. Tighten the fence adjustment knob securely. When the bevel operations are complete, don't forget to relocate the fence.

For certain cuts, it may be desirable to bring the fences closer to the blade. To use this feature, back the fence adjustment knobs out two turns and move the fences closer to the blade past the normal limit, then tighten the fence adjustment knobs to keep the fences in this location. When using this feature, make a dry cut first to ensure the blade does not contact the fences.

NOTE: The tracks of the fences can become clogged with sawdust. If you notice that they are becoming clogged, use a brush or some low pressure air to clear the guide grooves.

Guard Actuation and Visibility (Fig. A, Z)

CAUTION: Pinch Hazard. To reduce the risk of injury, keep thumb underneath the handle when pulling the handle down. The lower guard will move up as the handle is pulled down which could cause pinching.

The lower guard **6** on your saw has been designed to automatically uncover the blade when the arm is brought down and to cover the blade when the arm is raised.

The guard can be raised by hand when installing or removing saw blades or for inspection of the saw. NEVER RAISE THE LOWER GUARD MANUALLY UNLESS THE BLADE IS STOPPED.

NOTE: Certain special cuts of large material will require that you manually raise the guard. Refer to **Cutting Large Material** under **Special Cuts**.

The front section of the guard is louvered for visibility while cutting. Although the louvers dramatically reduce flying debris, they are openings in the guard and safety glasses should be worn at all times when viewing through the louvers.

Rail Guide Adjustment (Fig. A, F)

Periodically check the rails **24** for any play or clearance. The right rail can be adjusted with the rail set screw **33** shown in Figure F. To reduce clearance, use a 4 mm hex wrench and rotate the rail set screw clockwise gradually while sliding the saw head back and forth. Reduce play while maintaining minimum slide force.

Mitre Lock Adjustment (Fig. A, K)

The mitre lock rod **48** should be adjusted if the table of the saw can be moved when the mitre lock handle **7** is locked (down). To adjust the mitre lock **49**, put the mitre lock handle in the unlocked (up) position. Using a slotted screwdriver, adjust the lock rod in 1/8 clockwise turn increments to increase the lock force. To ensure the mitre lock is functioning properly, re-lock the mitre lock handle to a non-detent mitre angle – for example, 34° – and make sure the table will not rotate.

Transporting the Saw (Fig. A)

WARNING: To reduce the risk of serious personal injury, turn tool off, remove the battery pack, and place lock lever in the transport position before transporting, making any adjustments, cleaning, repairing, or removing/installing attachments or accessories. An accidental start-up can cause injury.

WARNING: To reduce the risk of serious personal injury, ALWAYS lock the rail lock knob **30**, mitre lock lever **7**, bevel lock knob **13**, head lock knob **19** and fence adjustment knobs **16**, before transporting saw.

In order to conveniently carry the mitre saw from place to place, a lifting handle **15** has been included on the top of the saw arm and hand indentations **11** in the base.

Head Lock Knob (Fig. A)

WARNING: The head lock knob should be used ONLY when carrying or storing the saw. NEVER use the headlock knob for any cutting operation.

To lock the saw head in the down position, push the head down, rotate head lock knob **19** 90° and the spring loaded pin will lock in and release the saw head. This will hold the saw head safely down for moving the saw from place to place.

To release, press the saw head down, pull out the head lock knob and rotate 90°.

FEATURES AND CONTROLS

WARNING: To reduce the risk of serious personal injury, turn tool off, remove the battery pack, and place lock lever in the transport position before transporting, making any adjustments, cleaning, repairing, or removing/installing attachments or accessories. An accidental start-up can cause injury.

Bevel Lock Knob (Fig. A)

The bevel lock knob **13** allows you to bevel the saw 49° left or right. To adjust the bevel setting, turn the knob counterclockwise. The saw head bevels easily to the left or to the right once in the 0° bevel override knob **28** is in the 0° bevel override position. To tighten, turn the bevel lock knob clockwise.


0° Bevel Override (Fig. A)

The bevel stop override allows you to bevel the saw to the right past the 0° mark. When engaged, the saw will automatically stop at 0° when brought up from the left. To temporarily move past 0° to the right, pull the 0° bevel stop **28**, rotate 90° (either clockwise or counterclockwise) and let go for the spring loaded pin to lock in. To return the bevel to 0° bevel stop, pull the bevel lock knob, rotate 90° (either clockwise or counterclockwise) and let go for the spring loaded pin will lock in.

45° Bevel Stop Override (Fig. J)

There are two bevel stop override levers **50**, one on each side of the saw. To bevel the saw, left or right, past 45°, push the 45° bevel override lever rearward. When in the rearward position, the saw can bevel past these stops. When the 45° stops are needed, pull the 45° bevel override lever forward.

Crown Bevel Pawls (Fig. J)

When cutting crown molding laying flat, your saw is equipped to accurately and rapidly set a crown stop, left or right (refer to **Instructions for Cutting Crown Molding Laying Flat and Using the Compound Features**). The crown bevel pawl **51** can be rotated to contact the crown adjustment screw **46**. The saw is factory set to be used for typical crown in North America (52/38), but can be reversed to cut non-typical (45/45) crown. To reverse the crown bevel pawl, remove the retaining screw, the 22.5° bevel pawl and the 30° crown bevel pawl. Flip the crown bevel pawl so the 33.9°  is facing up. Reattach the screw to secure the 22.5° bevel pawl and the crown bevel pawl. The accuracy setting will not be affected.

22.5 ° Bevel Pawls (Fig. J)

Your saw is equipped to rapidly and accurately set a 22.5 ° bevel, left or right. The 22.5 ° bevel pawl 47 can be rotated to contact the crown adjustment screw.

Rail Lock Knob (Fig. A)

The rail lock knob 30 allows you to lock the saw head firmly to keep it from sliding on the rails. This is necessary when making certain cuts or when transporting the saw.

Depth Stop (Fig. A)

The depth stop 25 allows the depth of cut of the blade to be limited. The stop is useful for applications such as grooving and tall vertical cuts. Rotate the depth stop forward and adjust the depth adjustment screw 29 to set the desired depth of cut. To secure the adjustment, tighten the wing nut 22. Rotating the depth stop to the rear of the saw will bypass the depth stop feature. If the depth adjustment screw is too tight to loosen by hand, the provided blade wrench can be used to loosen the screw.

Slide Lock Transport Lever (Fig. L1–L3)

Slide Lock Position (Fig. L1)

The slide lock transport lever 61 in forward location locks saw for maximize vertical cutting capacity.

Transport Position (Fig. L2)

The slide lock transport lever 61 in rear location locks saw in the transport position to secure the saw head during transport and storage. Recommended for relocating or carrying the saw.

Stow Position (Fig. L3)

When not in use, the slide lock transport lever 61 can be placed in a stow position. The slide lock lever locks in place using an indent on the back of the lever that slides up the ramp and falls into the cast pocket 65. To unlock the lever, slightly pull the lever till it clears out of the cast pocket and rotate clockwise.

Automatic Electric Brake

Your saw is equipped with an automatic electric blade brake which stops the saw blade within 5 seconds of trigger release. This is not adjustable.

On occasion, there may be a delay after trigger release to brake engagement. On rare occasions, the brake may not engage at all and the blade will coast to a stop.

If a delay or "skipping" occurs, turn the saw on and off 4 or 5 times. If the condition persists, have the tool serviced by an authorised DEWALT service centre.

Always be sure the blade has stopped before removing it from the kerf. The brake is not a substitute for guards or for ensuring your own safety by giving the saw your complete attention.

Wireless Tool Control (Fig. A)

CAUTION: Read all safety warnings, instruction and specifications of the appliance which is paired with the tool.

Your tool is equipped with a Wireless Tool Control transmitter which allows your tool to be wirelessly paired with another Wireless Tool Control device, such as a dust extractor.

To pair your tool using Wireless Tool Control, press and hold the trigger switch 1 on the tool and the Wireless Tool Control pairing button on the separate device. An LED on the separate device will let you know when your tool has been successfully paired.

Prior to Operation

- Install the base extensions to both sides of the saw's base. Refer to *Assembling the Base Extensions* section.
- Check the protective belt cover for damage and the proper functioning of the lower guard.
- Make sure to use the kerf plate. Do not operate the machine if the kerf slot is wider than 12 mm.
- Install the appropriate saw blade. Do not use excessively worn blades. The maximum rotation speed of the tool must not exceed that of the saw blade.
- Make sure all locking knobs and clamp handles are tight.
- Use personal protective equipment and connect the saw to an external dust extractor.
- Although this saw will cut wood and many nonferrous materials, these operating instructions refer to the cutting of wood only. The same guidelines apply to the other materials. Do not cut ferrous (iron and steel) materials, fibre cement or masonry with this saw!
- Do not attempt to cut excessively small pieces.
- Secure the workpiece.
- Allow the blade to cut freely. Do not force.
- Allow the motor to reach full speed before cutting.

OPERATION

Instructions for Use

WARNING: Always observe the safety instructions and applicable regulations.

WARNING: To reduce the risk of serious personal injury, turn tool off and disconnect battery pack before making any adjustments or removing/installing attachments or accessories. An accidental start-up can cause injury.

Installing and Removing the Battery Pack (Fig. A)

WARNING: Ensure the tool/appliance is in the off position before inserting the battery pack.

NOTE: For best results, make sure your battery pack is fully charged.

To install the battery pack 3 into the tool handle, align the battery pack with the rails inside the tool's handle and slide it into the handle until the battery pack is firmly seated in the tool and ensure that it does not disengage.

To remove the battery pack from the tool, press the release button 4 and firmly pull the battery pack out of the tool handle. Insert it into the charger as described in the charger section of this manual.

Body and Hand Position (Fig. M)

WARNING: To reduce the risk of serious personal injury, ALWAYS use proper hand position as shown.

WARNING: To reduce the risk of serious personal injury, ALWAYS hold securely in anticipation of a sudden reaction.

Proper positioning of your body and hands when operating the mitre saw will make cutting easier, more accurate and safer. Never place hands near cutting area. Place hands no closer than 100 mm from the blade. Hold the workpiece tightly to the table and the fence when cutting. Keep hands in position until the trigger has been released and the blade has completely stopped. ALWAYS MAKE DRY RUNS (UNPOWERED) BEFORE FINISH CUTS SO THAT YOU CAN CHECK THE PATH OF THE BLADE. DO NOT CROSS ARMS, AS SHOWN IN FIGURE M.

Keep both feet firmly on the floor and maintain proper balance. As you move the mitre arm left and right, follow it and stand slightly to the side of the saw blade. Sight through the guard louvers when following a pencil line.

Trigger Switch (Fig. N)

To turn the saw on, push the lock-off lever 41 to the left, then depress the trigger switch 1. The saw will run while the switch is depressed. Allow the blade to spin up to full operating speed before making the cut. To turn the saw off, release the switch. Allow the blade to stop before raising the saw head. There is no provision for locking the switch on. A hole 52 is provided in the trigger for insertion of a padlock to lock the switch off.

Always be sure the blade has stopped before removing it from the kerf.

Dust Extraction (Fig. O)

WARNING: To reduce the risk of serious personal injury, turn tool off, remove the battery pack, and place lock lever in the transport position before transporting, making any adjustments, cleaning, repairing, or removing/installing attachments or accessories. An accidental start-up can cause injury.

CAUTION: Never operate this saw unless the dust bag or DEWALT dust extractor is in place. Wood dust may create a breathing hazard.

Dust from materials such as lead-containing coatings and some wood types, can be harmful to one's health. Breathing-in the dust can cause allergic reactions and/or lead to respiratory infections of the user or bystanders. Certain dust, such as oak or beech dust, is considered carcinogenic, especially in connection with wood treatment additives.

Observe the relevant regulations in your country for the materials to be worked. The vacuum cleaner must be suitable for the material being worked.

When vacuuming dry dust that is especially detrimental to health or is carcinogenic, use a dust class M vacuum cleaner.

Your saw has a built-in dust port 17 that allows an Airlock™ compatible dust collection system to be connected.

To Attach the Dust Bag (Fig. P)

1. Fit the dust bag 53 to the dust port 17 as shown in Figure P.

To Empty the Dust Bag (Fig. P)

1. Remove dust bag 53 from the saw and gently shake or tap the dust bag to empty.
2. Reattach the dust bag back onto the dust port 17.

You may notice that all the dust will not come free from the bag. This will not affect cutting performance but will reduce the saw's dust collection efficiency. To restore your saw's dust collection efficiency, depress the spring inside the dust bag when you are emptying it and tap it on the side of the trash can or dust receptacle.

Through-Cutting Operations (Fig. A)

If the slide feature is not used, ensure the saw head is pushed back as far as possible and the rail lock knob is tightened. This will prevent the saw from sliding along its rails as the workpiece is engaged.

NOTE: Although this saw will cut wood and many non-ferrous materials, we will limit our detailed discussion to the cutting of wood only. The same guidelines apply to the other materials. DO NOT CUT FERROUS (IRON AND STEEL) MATERIALS OR MASONRY WITH THIS SAW. Do not use any abrasive blades.

NOTE: Refer to **Guard Actuation and Visibility** in the *Assembly and Adjustments* section for important information about the lower guard before cutting.

Crosscuts (Fig. A, Q)

A crosscut is made by cutting wood across the grain at any angle. A straight crosscut is made with the mitre arm at the zero degree position. Set and lock the mitre arm at zero, hold the wood firmly on the table and against the fence. With the rail lock knob tightened, turn on the saw by squeezing the trigger switch 1 shown in Figure A.

When the saw comes up to speed (about 1 second) lower the arm smoothly and slowly to cut through the wood. Let the blade come to a full stop before raising arm.

When cutting anything larger than a 51 x 203 mm (51 x 152 at 45° mitre) use an out-down-back motion with the rail lock knob loosened. Pull the saw out, toward you, lower the saw head down toward the workpiece, and slowly push the saw back to complete the cut. Do not allow the saw to contact the top of the workpiece while pulling out. The saw may run toward you, possibly causing personal injury or damage to the workpiece.

Cutting of multiple pieces is not recommended but can be done safely by ensuring that each piece is held firmly against the table and fence.

NOTE: To provide greater crosscut capacity with reduced stroke, the blade on the DCS781 extends deeper into the table. As a result, a greater lifting force on the workpiece may be experienced during the cut.

CAUTION: Always use a work clamp to maintain control and reduce the risk of workpiece damage and personal injury, if your hands are required to be within 100 mm of the blade during the cut.

NOTE: The rail lock knob **30** shown in Figure A must be loose to allow the saw to slide along its rails **24**.

Mitre crosscuts are made with the mitre arm at some angle other than zero. This angle is often 45° for making corners, but can be set anywhere from zero to 50° left or 60° right. Make the cut as described above.

When performing a mitre cut on workpieces wider than a 51 mm X 152 mm that are shorter in length, always place the longer side against the fence **12** (Figure Q).

To cut through an existing pencil line on a piece of wood, match the angle as close as possible. Cut the wood a little too long and measure from the pencil line to the cut edge to determine which direction to adjust the mitre angle and recut. This will take some practice, but it is a commonly used technique.

Bevel Cuts

A bevel cut is a crosscut made with the saw blade leaning at an angle to the wood. In order to set the bevel, loosen the bevel lock **13**, and move the saw to the left or right as desired. (It is necessary to move the fence to allow clearance.) Once the desired bevel angle has been set, tighten the bevel lock firmly. Refer to the **Controls** section for detailed instructions on the bevel system.

Bevel angles can be set from 49° right to 49° left and can be cut with the mitre arm set between 50° left or 60° right. At some extreme angles, the right or left side fence might have to be removed. To remove the left or right fence, unscrew the fence adjustment knob **16** several turns and slide the fence out.

NOTE: Refer to **Fence Adjustment** in the **Assembly and Adjustments** section for important information on adjusting the fences for certain bevel cuts.

Quality of Cut

The smoothness of any cut depends on a number of variables. Things like material being cut, blade type, blade sharpness and rate of cut all contribute to the quality of the cut.

When smoothest cuts are desired for molding and other precision work, a sharp (60 tooth carbide) blade and a slower, even cutting rate will produce the desired results.

Ensure that the material does not move or creep while cutting; clamp it securely in place. Always let the blade come to a full stop before raising arm.

If small fibers of wood still split out at the rear of the workpiece, stick a piece of masking tape on the wood where the cut will be made. Saw through the tape and carefully remove tape when finished.

For varied cutting applications, refer to the list of recommended saw blades for your saw and select the one that best fits your needs. Refer to **Saw Blades** under **Optional Accessories**.

Non-Through-Cutting (Grooving and Rabbeting)

Instructions in the **Crosscuts**, **Bevel Cuts** and **Cutting Compound Mitres** sections are for cuts made through the full thickness of the material. The saw can also perform non-through cuts to form grooves or rabbets in the material.

Groove Cut (Fig. A)

Refer to **Depth Stop** for detailed instructions for setting depth of cut. A piece of scrap wood should be used to verify the desired depth of cut.

Hold the wood firmly on the table and against the fence **12**. Align the cut area underneath the blade. Position the saw arm fully forward, with blade in down position. Turn on the saw by squeezing the trigger switch **11** shown in Figure A. Smoothly, push saw arm rearward to cut a groove through the workpiece.

Release the trigger switch with the saw arm down. When saw blade has completely stopped, raise the saw arm. Always let the blade come to a full stop before raising the arm.

To widen the groove, repeat steps 1–4 until the desired width is obtained.

Clamping the Workpiece (Fig. A)

WARNING: To reduce the risk of serious personal injury, turn off the tool and disconnect it from the power source before attempting to move it, change accessories or make any adjustments.

WARNING: A workpiece that is clamped, balanced and secure before a cut may become unbalanced after a cut is completed. An unbalanced load may tip the saw or anything the saw is attached to, such as a table or workbench. When making a cut that may become unbalanced, properly support the workpiece and ensure the saw is firmly bolted to a stable surface. Personal injury may occur.

WARNING: The clamp foot must remain clamped above the base of the saw whenever the clamp is used. Always clamp the workpiece to the base of the saw—not to any other part of the work area. Ensure the clamp foot is not clamped on the edge of the base of the saw.

CAUTION: Always use a work clamp to maintain control and reduce the risk of workpiece damage and personal injury.

If you cannot secure the workpiece on the table and against the fence by hand, (irregular shape, etc.) or your hand would be less than 100 mm from the blade, a clamp or other fixture must be used.

For best results use the vertical material clamp **23** provided with your saw. Additional clamps can be purchased at your local retailer or DeWALT service centre.

Other aids such as spring clamps, bar clamps or C-clamps may be appropriate for certain sizes and shapes of material. Use care in selecting and placing these clamps. Take time to make a dry run before making the cut. The left fence will slide from side to side to aid in clamping

To Install Clamp (Fig. A)

1. Insert clamp post into the hole behind the fence **12**.
2. Adjust the clamp up turning the knob counterclockwise. And clamp down by turning the knob clockwise. Make sure to firmly clamp the workpiece.

NOTE: Place the clamp on the opposite side of the base when beveling. ALWAYS MAKE DRY RUNS (UNPOWERED) BEFORE FINISH CUTS TO CHECK THE PATH OF THE BLADE. ENSURE THE CLAMP DOES NOT INTERFERE WITH THE ACTION OF THE SAW OR GUARDS.

Support for Long Pieces

WARNING: To reduce the risk of serious personal injury, turn off the tool and disconnect it from the power source before attempting to move it, change accessories or make any adjustments.

ALWAYS SUPPORT LONG PIECES.

Never use another person as a substitute for a table extension; as additional support for a workpiece that is longer or wider than the basic mitre saw table or to help feed, support or pull the workpiece.

Support long workpieces using any convenient means such as sawhorses or similar devices to keep the ends from dropping.

Cutting Picture Frames, Shadow Boxes and Other Four-Sided Projects (Fig. R)

To best understand how to make the items listed here, we suggest that you try a few simple projects using scrap wood until you develop a “feel” for your saw.

Your saw is the perfect tool for mitreing corners like the one shown in Figure R. Sketch 1 in Figure R shows a joint made by using the bevel adjustment to bevel the edges of the two boards at 45° each to produce a 90° corner. For this joint the mitre arm was locked in the zero position and the bevel adjustment was locked at 45°. The wood was positioned with the broad flat side against the table and the narrow edge against the fence. The cut could also be made by mitreing right and left with the broad surface against the fence.

Cutting Trim Molding and Other Frames (Fig. R)

Sketch 2 in Figure R shows a joint made by setting the mitre arm at 45° to mitre the two boards to form a 90° corner. To make this type of joint, set the bevel adjustment to zero and the mitre arm to 45°. Once again, position the wood with the broad flat side on the table and the narrow edge against the fence.

The two sketches in Figure R are for four-sided objects only.

As the number of sides changes, so do the mitre and bevel angles. The chart below gives the proper angles for a variety of shapes.

– EXAMPLES –

NUMBER OF SIDES	Mitre OR BEVEL ANGLE
4	45°
5	36°
6	30°
7	25.7°
8	22.5°
9	20°
10	18°

The chart assumes that all sides are of equal length. For a shape that is not shown in the chart, use the following formula: 180° divided by the number of sides equals the mitre (if the material is cut vertically) or bevel angle (if the material is cut laying flat).

Cutting Compound Mitres (Fig. S)

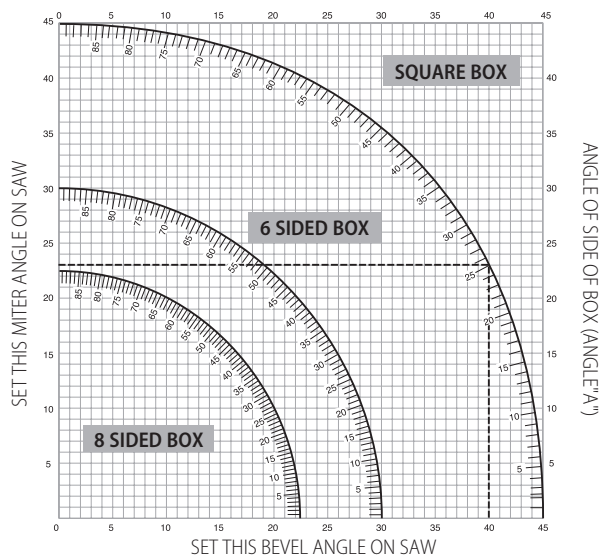
A compound mitre is a cut made using a mitre angle and a bevel angle at the same time. This is the type of cut used to make frames or boxes with slanting sides like the one shown in Figure T.

WARNING: If the cutting angle varies from cut to cut, check that the bevel lock knob and the mitre lock handle are securely locked. These must be locked after making any changes in bevel or mitre.

The chart shown below will assist you in selecting the proper bevel and mitre settings for common compound mitre cuts.

- Select the desired angle A (Fig. S) of your project and locate that angle on the appropriate arc in the chart.
- From that point follow the chart straight down to find the correct bevel angle and straight across to find the correct mitre angle.
- Set your saw to the prescribed angles and make a few trial cuts. Practise fitting the cut pieces together.

Example: To make a 4-sided box with 26° exterior angles (Angle A, Fig. S), use the upper right arc. Find 26° on the arc scale. Follow the horizontal intersecting line to either side to get mitre angle setting on saw (42°). Likewise, follow the vertical intersecting line to the top or bottom to get the bevel angle setting on the saw (18°). Always try cuts on a few scrap pieces of wood to verify the settings on the saw.



Cutting Base Molding (Fig. T)

ALWAYS MAKE A DRY RUN WITHOUT POWER BEFORE MAKING ANY CUTS.

Straight 90° cuts:

Position the wood against the fence and hold it in place as shown in Figure T. Turn on the saw, allow the blade to reach full speed and lower the arm smoothly through the cut.

Cutting Base Molding up to 165 mm Vertically Against the Fence (Fig. L, T)

NOTE: Use the slide lock lever, shown in Figure L1 when cutting base molding measuring from 76 mm to 165 mm high vertically against the fence.

Position material as shown in Figure T.

All cuts should be made with the back of the molding against the fence and with the bottom of the molding against the table.

	Inside corner	Outside corner
Left side	1. Mitre left 45° 2. Save left side of cut	1. Mitre right 45° 2. Save left side of cut
Right side	1. Mitre right 45° 2. Save right side of cut	1. Mitre left 45° 2. Save right side of cut

Material up to 165 mm can be cut as described above.

Cutting Crown Molding

Your mitre saw is better suited to the task of cutting crown molding than any tool made. In order to fit properly, crown molding must be compound mitred with extreme accuracy.

The two flat surfaces on a given piece of crown molding are at angles that, when added together, equal exactly 90°. Most, but not all, crown molding has a top rear angle (the section that fits flat against the ceiling) of 52° and a bottom rear angle (the part that fits flat against the wall) of 38°.

Your mitre saw has special pre-set mitre latch points at 31.6° left and right for cutting crown molding at the proper angle and bevel stop pawls at 33.9° left and right. There is also a mark on the bevel scale at 33.9°.

The chart below gives the proper settings for cutting crown molding. (The numbers for the mitre and bevel settings are very precise and are not easy to accurately set on your saw.) Since most rooms do not have angles of precisely 90°, you will have to fine tune your settings anyway.

PRETESTING WITH SCRAP MATERIAL IS EXTREMELY IMPORTANT!

Instructions for Cutting Crown Molding Laying Flat and Using the Compound Features (Fig. A, U)

- Molding laying with broad back surface down flat on saw table 18.
- Top of molding against fence 12.
- The settings below are for all standard (U.S.) crown molding with 52° and 38° angles.

	Inside corner	Outside corner
Left side	1. Bevel left 33.9° 2. Mitre table set at right 31.62° 3. Save left end of cut	1. Bevel right 33.9° 2. Mitre table set at left 31.62° 3. Save left end of cut
Right side	1. Bevel right 33.9° 2. Mitre table set at left 31.62° 3. Save right end of cut	1. Bevel left 33.9° 2. Mitre table set at right 31.62° 3. Save right end of cut

When setting bevel and mitre angles for all compound mitres, remember that:

The angles presented for crown moldings are very precise and difficult to set exactly. Since they can easily shift slightly and very few rooms have exactly square corners, all settings should be tested on scrap molding.

PRETESTING WITH SCRAP MATERIAL IS EXTREMELY IMPORTANT!

Alternative Method for Cutting Crown Molding (Fig. V)

Place the molding on the table at an angle between the sliding fence 12 and the saw table 18, as shown in Figure V.

The advantage to cutting crown molding using this method is that no bevel cut is required. Minute changes in the mitre angle can be made without affecting the bevel angle. This way, when corners other than 90° are encountered, the saw can be quickly and easily adjusted for them. Use the crown molding fence accessory to maintain the angle at which the molding will be on the wall.

Instructions for Cutting Crown Molding Angled Between the Fence and Base of the Saw for All Cuts

- Angle the molding so the bottom of the molding (part which goes against the wall when installed) is against the fence and the top of the molding is resting on the base of the saw, as shown in Figure V.
- The angled "flats" on the back of the molding must rest squarely on the fence and base of the saw.

	Inside corner	Outside corner
Left side	1. Mitre right 45° 2. Save right side of cut	1. Mitre left 45° 2. Save right side of cut
Right side	1. Mitre left 45° 2. Save left side of cut	1. Mitre right 45° 2. Save left side of cut

Special Cuts

NEVER MAKE ANY CUT UNLESS THE MATERIAL IS SECURED ON THE TABLE AND AGAINST THE FENCE.

Aluminum Cutting (Fig. A, W)

ALWAYS USE THE APPROPRIATE SAW BLADE MADE ESPECIALLY FOR CUTTING ALUMINUM. These are available at your local DeWALT retailer or DeWALT service centre. Certain workpieces, due to their size, shape or surface finish, may require the use of a clamp or fixture to prevent movement during the cut. Position the material so that you will be cutting the thinnest cross section, as shown in Figure W. Figure W also illustrates the wrong way to cut these extrusions. Use a stick wax cutting lubricant when cutting aluminum. Apply the stick wax directly to the saw blade 39 before cutting. Never apply stick wax to a moving blade.

The wax, available at most hardware stores, provides proper lubrication and keeps chips from adhering to the blade.

Be sure to properly secure workpiece.

Refer to **Saw Blades** under **Optional Accessories** for correct saw blade.

Bowed Material (Fig. X, Y)

When cutting bowed material always position it as shown in Figure X and never like that shown in Figure Y. Positioning the material incorrectly will cause it to pinch the blade near the completion of the cut.

Cutting Plastic Pipe or Other Round Material

Plastic pipe can be easily cut with your saw. It should be cut just like wood and **CLAMPED OR HELD FIRMLY TO THE FENCE TO KEEP IT FROM ROLLING**. This is extremely important when making angle cuts.

Cutting Large Material (Fig. Z)

Occasionally you will encounter a piece of wood a little too large to fit beneath the lower guard. If this occurs, simply place your right thumb on the upper side of the guard and roll the guard up just enough to clear the workpiece, as shown in Figure Z. Avoid doing this as much as possible, but if need be, the saw will operate properly and make the bigger cut. NEVER TIE, TAPE, OR OTHERWISE HOLD THE GUARD OPEN WHEN OPERATING THIS SAW.

MAINTENANCE

Your DeWALT power tool has been designed to operate over a long period of time with a minimum of maintenance. Continuous satisfactory operation depends upon proper tool care and regular cleaning.

WARNING: To reduce the risk of serious personal injury, turn machine off and disconnect battery pack before making any adjustments or removing/installing attachments or accessories. An accidental start-up can cause injury.

WARNING: If the saw blade is worn replace it with a new sharp blade.

DO NOT use lubricants or cleaners (particularly spray or aerosol) in the vicinity of the plastic guard. The polycarbonate material used in the guard is subject to attack by certain chemicals.

- All bearings are sealed. They are lubricated for life and need no further maintenance.
- Periodically clean all dust and wood chips from around AND UNDER the base and the rotary table. Even though slots are provided to allow debris to pass through, some dust will accumulate.



Lubrication

Your power tool requires no additional lubrication.



Cleaning

Before use, carefully check the upper blade guard, movable lower blade guard as well as the dust extraction tube to determine that it will operate properly. Ensure that chips, dust or workpiece particle cannot lead to blockage of one of the functions.

In case of workpiece fragments jammed between saw blade and guards disconnect the machine from the power supply and follow the instructions given in section **Changing or Installing a New Saw Blade**. Remove the jammed parts and reassembling the saw blade.

WARNING: Blow dirt and dust out of the main housing with dry air as often as dirt is seen collecting in and around the air vents. Wear approved eye protection and approved dust mask when performing this procedure.

WARNING: Never use solvents or other harsh chemicals for cleaning the non-metallic parts of the tool. These chemicals may weaken the materials used in these parts. Use a cloth dampened only with water and mild soap. Never let any liquid get inside the tool; never immerse any part of the tool into a liquid.

WARNING: To reduce the risk of injury, regularly clean the table top.

WARNING: To reduce the risk of injury, regularly clean the dust collection system.

Worklight Cleaning

For the best worklight performance, perform the following maintenance regularly.

- Carefully clean sawdust and debris from worklight lens with a cotton swab.
- DO NOT use solvents of any kind, they may damage the lens.
- Dust build-up can block the worklight and prevent it from accurately indicating the line of cut.
- Follow mitre saw's instruction manual to remove and install blade.
- With blade removed from saw, clean pitch and build-up from blade. Pitch and debris can interfere with the worklight and prevent it from accurately indicating the line of cut.

Optional Accessories

WARNING: Since accessories, other than those offered by DEWALT, have not been tested with this product, use of such accessories with this tool could be hazardous. To reduce the risk of injury, only DEWALT, recommended accessories should be used with this product.


SAW BLADES: ALWAYS USE 305 mm SAW BLADES WITH 30mm for -GB or 25.4mm for -XE ARBOUR HOLES. SPEED RATING MUST BE AT LEAST 4800 RPM. Never use a smaller diameter blade. It will not be guarded properly. Use crosscut blades only! Do not use blades designed for ripping, combination blades or blades with hook angles in excess of 7°.


BLADE DESCRIPTIONS

APPLICATION	DIAMETER	TEETH
Construction Saw Blades (thin kerf with anti-stick rim)		
General Purpose	305 mm	40
Fine Crosscuts	305 mm	60
Woodworking Saw Blades (provide smooth, clean cuts)		
Fine crosscuts	305 mm	80
Non-ferrous metals	305 mm	96

Consult your dealer for further information on the appropriate accessories.

Protecting the Environment

 Separate collection. Products and batteries marked with this symbol must not be disposed of with normal household waste.

 Products and batteries contain materials that can be recovered or recycled reducing the demand for raw materials. Please recycle electrical products and batteries according to local provisions. Further information is available at www.2helpU.com.

Rechargeable Battery Pack

This long life battery pack must be recharged when it fails to produce sufficient power on jobs which were easily done before. At the end of its technical life, discard it with due care for our environment:

- Run the battery pack down completely, then remove it from the tool.
- Li-Ion cells are recyclable. Take them to your dealer or a local recycling station. The collected battery packs will be recycled or disposed of properly.

Troubleshooting Guide

BE SURE TO FOLLOW SAFETY RULES AND INSTRUCTIONS

TROUBLE!	WHAT'S WRONG?	WHAT TO DO
Saw will not start	Battery not installed	Install battery. Refer to Installing and Removing Battery Pack .
	Battery not charged	Charge battery. Refer to Charging Procedure .
	Saw overheated	Wait several minutes for saw to cool.
	Batteries overheated	Wait several minutes for batteries to cool.
Saw makes unsatisfactory cuts	Dull blade	Replace blade. Refer to Changing or Installing a New Saw Blade .
	Blade mounted backwards	Turn blade around. Refer to Changing or Installing a New Saw Blade .
	Gum or pitch on blade	Remove blade and clean with coarse steel wool and turpentine or household oven cleaner.
CUTLINE worklight is flashing	Incorrect blade for work being done	Change the blade type. Refer to Saw Blades under Optional Accessories .
	Battery not charged	Charge battery. Refer to Charging Procedure .
Machine vibrates excessively	Saw not mounted securely to stand or work bench	Tighten all mounting hardware. Refer to Bench Mounting .
	Stand or bench on uneven floor	Reposition on flat level surface. Refer to Familiarization .
	Damaged saw blade	Replace blade. Refer to Changing or Installing a New Saw Blade .
Does not make accurate mitre cuts	Mitre scale not adjusted correctly	Check and adjust. Refer to Mitre Scale Adjustment under Assembly and Adjustments .
	Blade is not square to fence	Check and adjust. Refer to Mitre Scale Adjustment under Assembly and Adjustments .
	Blade is not perpendicular to table	Check and adjust fence. Refer to Bevel Square to Table Adjustment under Assembly and Adjustments .
	Workpiece moving	Clamp workpiece securely to fence or glue 120 grit sandpaper to fence with rubber cement.
	Kerf plate worn or damaged	Take to authorised service centre.
	Mitre pointer not adjusted correctly	Check and adjust. Refer to Mitre Pointer Adjustment under Assembly and Adjustments .
Material pinches blade	Cutting bowed material	Refer to Bowed Material under Special Cuts .

ТОРЦОВОЧНАЯ ПИЛА DCS781

Вы приобрели инструмент DEWALT. Многолетний опыт, тщательная разработка изделий и инновации делают компанию DEWALT одним из самых надежных партнеров для пользователей профессиональных электроинструментов.

Технические характеристики

		DCS781X2-GB	DCS781N-XE/ DCS78X1-XE
Напряжение	V _{пост. тока}	54	54
Тип		21	21
Тип батареи		литий-ионный	литий-ионный
Диаметр диска	мм	305	305
Посадочное отверстие ножовочного полотна	мм	30	25,4
Толщина диска	мм	1,6	1,6
Макс. толщина пропила	мм	2,2	2,2
Макс. скорость вращения диска	об/мин	3800	3800
Макс. длина поперечного распила 90°	мм	310	310
Макс. длина распила со скосом 45°	мм	219	219
Макс. глубина распила 90°	мм	112	112
Макс. глубина поперечного реза с наклоном 45°	мм	50	50
Скос (макс. положения)			
	влево	50°	50°
	вправо	60°	60°
Наклон (макс. положения)			
	влево	49°	49°
	вправо	49°	49°
0° скос			
Фактическая ширина при макс. высоте 165 мм	мм	19	19
Фактическая ширина при макс. высоте 112 мм	мм	278	278
Фактическая высота при макс. ширине 310 мм	мм	90	90
45° левый скос			
Фактическая ширина при макс. высоте 112 мм	мм	197	197
Фактическая высота при макс. ширине 219 мм	мм	90	90
45° правый скос			
Фактическая ширина при макс. высоте 112 мм	мм	197	197
Фактическая высота при макс. ширине 219 мм	мм	90	90
45° левая фаска			
Фактическая ширина при макс. высоте 60 мм	мм	278	278
Фактическая высота при макс. ширине 310 мм	мм	54	54
45° правая фаска			
Фактическая ширина при макс. высоте 50 мм	мм	296	296
Фактическая высота при макс. ширине 310 мм	мм	40	40
Время автоматического торможения диска	сек.	<5	<5
Передачик беспроводного управления инструментом			
Диапазон частот	МГц	433	433
Макс. мощность (EIRP)	мВт	0,03	0,03
Вес (без аккумуляторной батареи)	кг	23,2	23,2
Значения шума и/или вибрации (сумма векторов в трех плоскостях) в соответствии с EN62841-3-9:			
L _{PA} (уровень звукового давления)	дБ(А)	94,4	94,4
L _{WA} (уровень акустической мощности)	дБ(А)	106,4	106,4
K (погрешность для заданного уровня мощности)	дБ(А)	2,5	2,5

Значение воздействия вибрации и/или шума, указанное в данном справочном листке, было получено в соответствии со стандартным тестом, приведенным в EN62841, и может использоваться для сравнения инструментов. Кроме того, оно может использоваться для предварительной оценки воздействия вибрации.

ОСТОРОЖНО! Заявленное значение воздействия вибрации и/или шума относится к основным областям применения инструмента. Однако, если инструмент используется для различных целей, с различными дополнительными принадлежностями или при ненадлежащем уходе, то уровень шума и/или вибрации может измениться. Это может привести к значительному увеличению уровня воздействия вибрации в течение всего рабочего периода.

При расчете приблизительного значения уровня воздействия шума и/или вибрации также необходимо учитывать время, когда инструмент выключен или то время, которое он работает на холостом ходу. Это может привести к значительному снижению уровня воздействия вибрации в течение всего рабочего периода.

Определите дополнительные меры техники безопасности для защиты оператора от воздействия шума и/или вибрации, а именно: поддержание инструмента и дополнительных принадлежностей в рабочем состоянии, создание комфортных условий работы (соответствующих вибрации), хорошая организация рабочего места.

Декларация о соответствии нормам ЕС

Директива по механическому оборудованию и директива по радиооборудованию



Торцовочная пила DCS781

DEWALT заявляет, что продукция, описанная в разделе «Технические характеристики», соответствует:

2006/42/EC, EN62841-1:2015 +AC:2015+A11:2022; EN62841-3-9:2020 + A11:2020.

Эти изделия также соответствуют Директивам 2014/53/EU; 2014/30/EU и 2011/65/EU. За дополнительной информацией обращайтесь в компанию DEWALT по адресу, указанному ниже или приведенному на задней стороне обложки руководства.

Нижеподписавшийся несет ответственность за составление технической документации и составил данную декларацию по поручению компании DEWALT.

Маркус Ромпель
Вице-президент отдела по разработке и производству, PTE- Europe
DEWALT, Richard-Klinger-Straße 11,
65510, Idstein, Германия
30.11.2022



ОСТОРОЖНО! Во избежание риска получения травм, прочитайте инструкцию по применению.

Следующие определения указывают на степень важности каждого сигнального слова. Прочитайте руководство и обратите внимание на данные символы.



ОПАСНО! Обозначает чрезвычайно опасную ситуацию, которая, в случае несоблюдения соответствующих мер безопасности, неизбежно приведет к **серьезной травме или смертельному исходу.**



ОСТОРОЖНО! Указывает на потенциально опасную ситуацию, которая, в случае несоблюдения соответствующих мер безопасности, может привести к **серьезной травме или смертельному исходу.**



ВНИМАНИЕ! Указывает на потенциально опасную ситуацию, которая, в случае несоблюдения соответствующих мер безопасности, может стать причиной **получения травм средней или легкой степени тяжести.**

ПРИМЕЧАНИЕ. Указывает на практики, использование которых не связано с получением травмы, но если ими пренебречь, могут привести к порче имущества.



УКАЗЫВАЕТ НА РИСК ПОРАЖЕНИЯ ЭЛЕКТРИЧЕСКИМ ТОКОМ.



УКАЗЫВАЕТ НА РИСК ВОЗГОРАНИЯ.

ОБЩИЕ ПРАВИЛА ТЕХНИКИ БЕЗОПАСНОСТИ ПРИ ИСПОЛЬЗОВАНИИ ЭЛЕКТРОИНСТРУМЕНТОВ



ОСТОРОЖНО! Прочтите все правила техники безопасности, инструкции, иллюстрации и спецификации по данному электроинструменту.

Несоблюдение всех нижеприведенных инструкций может привести к поражению электрическим током, пожару и/или серьезной травме.

СОХРАНИТЕ ВСЕ ИНСТРУКЦИИ ДЛЯ ПОСЛЕДУЮЩЕГО ИСПОЛЬЗОВАНИЯ.

Термин «электроинструмент» в предупреждениях относится к питаемому от электросети (проводному) или от аккумуляторных батарей (беспроводному) электроинструменту.

1) Безопасность на рабочем месте

- Следите за чистотой и хорошим освещением на рабочем месте.**
Захламленное или плохо освещенное рабочее место может стать причиной несчастного случая.
- Запрещается работать с электроинструментами во взрывоопасных местах, например, вблизи легковоспламеняющихся жидкостей, газов и пыли.** Искры, которые появляются при работе электроинструментов могут привести к воспламенению пыли или паров.
- Следите за тем, чтобы во время работы с электроинструментом в зоне работы не было посторонних и детей.** Отвлекаясь от работы вы можете потерять контроль над инструментом.

2) Электробезопасность

- Штепсельная вилка электроинструмента должна соответствовать розетке. Никогда не меняйте вилку устройства. Запрещается использовать переходники к вилкам для электроинструментов с заземлением.** Использование оригинальных штепсельных вилок, соответствующих типу сетевой розетки снижает риск поражения электрическим током.

Батареи				Зарядные устройства/время зарядки (мин)**								
Кат. №	V _{нокт. тока}	Ah	Вес (kg)	DCB104	DCB107	DCB112/ DCB1102	DCB113	DCB115/ DCB1104	DCB116	DCB117	DCB118	DCB132
DCB546	18/54	6,0/2,0	1,08	60	270	170	140	90	80	40	60	90
DCB547/G	18/54	9,0/3,0	1,46	75*	420	270	220	135*	110*	60	75*	135*
DCB548	18/54	12,0/4,0	1,46	120	540	350	300	180	150	80	120	180
DCB549	18/54	15,0/5,0	2,12	125	730	450	380	230	170	90	125	230

*Код даты 201811475B или новее

**Battery charge times matrix provided for guidance only; charge times will vary depending on temperature and condition of batteries.

- b) Избегайте контакта с заземленными поверхностями, такими как трубы, радиаторы и холодильники. Если вы будете заземлены, увеличивается риск поражения электрическим током.
- c) Запрещается оставлять электроинструмент под дождем и в местах повышенной влажности. Попадание воды в электроинструмент может привести к поражению электрическим током.
- d) Берегите кабель от повреждений. Никогда не используйте кабель для переноски инструмента, не тяните за него, пытайтесь отключить инструмент от сети. Держите кабель подальше от источников тепла, масла, острых углов или движущихся предметов. Повреждение или запутывание кабеля питания повышает риск поражения электрическим током.
- e) При работе с электроинструментом вне помещения необходимо пользоваться удлинителем, рассчитанным на эксплуатацию в соответствующих условиях. Использование кабеля питания, предназначенного для использования вне помещения, снижает риск поражения электрическим током.
- f) Если работа с электроинструментом в условиях повышенной влажности неизбежна, используйте выключатель короткого замыкания на землю (ВКЗЗ) для защиты сети. Использование ВКЗЗ сокращает риск поражения электрическим током.

3) Обеспечение индивидуальной безопасности

- a) При работе с электроинструментом сохраняйте бдительность, следите за своими действиями и пользуйтесь здравым смыслом. Не работайте с электроинструментом, если вы устали, находитесь в состоянии наркотического, алкогольного опьянения или под воздействием лекарственных препаратов. Невнимательность при работе с электроинструментом может привести к серьезным травмам.
- b) Используйте средства индивидуальной защиты. Всегда надевайте защитные очки. Использование при работе таких средств защиты, как защитная маска, обувь на нескользящей подошве, каска и защитные наушники снижает риск травм.
- c) Примите меры для предотвращения случайного включения. Перед тем как подключить электроинструмент к сети и/или аккумуляторной батарее, взять инструмент или перенести его на другое место, убедитесь в том, что выключатель находится в положении «Выкл.». Если при переноске электроинструмента он подключен к сети, и при этом ваш палец находится на выключателе, это может стать причиной несчастных случаев.
- d) Перед включением электроинструмента уберите гаечные или инструментальные ключи. Ключ, оставленный на вращающейся части электроинструмента, может травмировать.
- e) Не пытайтесь дотянуться до слишком удаленных поверхностей. Обувь должна быть удобной, чтобы вы всегда могли сохранять равновесие. Это позволит лучше контролировать электроинструмент в непредвиденных ситуациях.
- f) Одевайтесь соответствующим образом. Во время работы не надевайте свободную одежду или украшения. Следите за тем, чтобы волосы, одежда и перчатки не попадали под движущиеся детали. Свободная одежда, украшения или длинные волосы могут быть затянуты движущимися деталями.
- g) При наличии устройств для подсоединения оборудования для удаления и сбора пыли необходимо обеспечить правильность их подключения и эксплуатации. Использование устройства для сбора пыли снижает соответствующие риски.
- h) Не допускайте самоуверенности и игнорирования правил техники безопасности даже при большом опыте работы с инструментом. Небрежное действие может стать причиной серьезной травмы за долю секунды.

4) Эксплуатация электроинструмента и уход за ним

- a) Не прилагайте силу к электроинструменту. Используйте электроинструмент в соответствии с назначением. Правильно подобранный электроинструмент выполнит работу более эффективно и безопасно при стандартной нагрузке.
- b) Не пользуйтесь инструментом, если не работает выключатель. Любой инструмент, управлять выключением и включением которого невозможно, опасен, и его необходимо отремонтировать.
- c) Перед выполнением любых настроек, сменой дополнительных принадлежностей или прежде чем убрать инструмент на хранение, отключите его от сети и/или снимите с него аккумуляторную батарею, если ее можно снять. Такие превентивные меры безопасности сокращают риск случайного включения электроинструмента.
- d) Храните электроинструмент в недоступном для детей месте и не позволяйте работать с инструментом людям, не имеющим

соответствующих навыков работы с такого рода инструментами. Электроинструмент представляет опасность в руках неопытных пользователей.

- e) Поддерживайте электроинструмент и насадки в исправном состоянии. Проверьте, не нарушена ли центровка или не заклинены ли движущиеся детали, нет ли повреждений или иных неисправностей, которые могли бы повлиять на работу электроинструмента. В случае обнаружения повреждений, прежде чем приступить к эксплуатации электроинструмента, его следует отремонтировать. Большинство несчастных случаев происходит из-за электроинструментов, которые не обслуживаются должным образом.
- f) Следите за тем, чтобы инструмент был заточен и чист. Вероятность заклинивания инструмента, за которым следят должным образом и который хорошо заточен, значительно меньше, и работать с ним легче.
- g) Используйте данный электроинструмент, а также дополнительные приспособления и насадки в соответствии с данными инструкциями и с учетом условий и специфики работы. Использование электроинструмента для работ, для которых он не предназначен, может привести к несчастным случаям.
- h) Все рукоятки и поверхности захватывания должны быть сухими и без следов смазки. Скользкие рукоятки и поверхности захватывания не позволяют обеспечить безопасность работы и управления инструментом в непредвиденных ситуациях.

5) Использование аккумуляторных электроинструментов и уход за ними

- a) Используйте для зарядки аккумуляторной батареи только указанное производителем зарядное устройство. Использование зарядного устройства определенного типа для зарядки других батарей может привести к возгоранию.
- b) Используйте для электроинструмента только батареи указанного типа. Использование других аккумуляторных батарей может стать причиной травмы и возгорания.
- c) Оберегайте батарею от попадания в нее скрепок, монет, ключей, гвоздей, болтов или других мелких металлических предметов, которые могут вызывать замыкание контактов. Короткое замыкание контактов аккумуляторной батареи может привести к пожару или ожогам.
- d) Из поврежденной батареи может вытечь электролит. Не прикасайтесь к нему. При случайном контакте с электролитом смойте его водой. При попадании электролита в глаза обратитесь за медицинской помощью. Жидкость, находящаяся внутри батареи, может вызвать раздражение или ожоги.
- e) Не используйте поврежденные или измененные аккумуляторные батареи или инструменты. Поврежденные или измененные аккумуляторные батареи могут работать непредсказуемо, что может привести к возгоранию, взрыву или риску получения травм.
- f) Не подвергайте аккумуляторные батареи или инструмент воздействию огня или повышенной температуры. Открытый огонь или воздействие высокой температуры выше 130 °C может привести к взрыву.
- g) Следуйте всем инструкциям по зарядке и не заряжайте аккумуляторную батарею или инструмент вне температурного диапазона, указанного в инструкции. Неправильная зарядка или зарядка вне указанного температурного диапазона может привести к повреждению батареи и повысить риск возгорания.

6) Сервисное обслуживание

- a) Обслуживание электроинструмента выполняется только квалифицированным техническим персоналом. Это позволит обеспечить безопасность обслуживаемого инструмента.
- b) Не выполняйте обслуживание поврежденных аккумуляторных батарей. Обслуживание аккумуляторных батарей должно выполняться только производителем или авторизованными поставщиками услуг.

Инструкции по технике безопасности для торцовочных пил

- a) Торцовочные пилы предназначены для распиловки древесины или изделий из дерева; их нельзя использовать с абразивными отрезными кругами для резки материалов, содержащих черные металлы, таких как балки, прутья, заклепки и пр. Абразивная пыль приводит к заклиниванию движущихся частей наподобие нижнего защитного кожуха. Искры от абразивной резки сожгут нижний защитный кожух, пластину для пропила и другие детали из пластмассы.
- b) По мере возможности используйте зажимы, чтобы поддерживать заготовку. При поддержке заготовки рукой, всегда держите руку на

расстоянии в по крайней мере 100 мм от обеих сторон пильного диска. Не используйте эту пилу для резки заготовок, которые слишком малы, чтобы их надежно зафиксировать или удержать рукой. Если ваша рука расположена слишком близко к пильному диску, то это создает повышенные риск получения травмы от контакта с диском.

- c) Заготовка должна быть неподвижной и зафиксированной по отношению к направляющей и столу. Никогда не подавайте под движущийся пильный диск и не выполняйте распил «от руки». Незафиксированные или подвижные заготовки могут быть выброшены с высокой скоростью, что может повлечь за собой травмы.
- d) Толкайте пилу от себя по заготовке. Не тяните пилу через заготовку на себя. Чтобы выполнить распил, поднимите головку пилы и вытяните ее над заготовкой без распила, запустите электродвигатель, опустите головку пилы и толкайте пилу от себя по заготовке. Попытка выполнить распил во время вытягивания с большой вероятностью приведет к тому, что пильный диск выскочит вверх из заготовки, а узел диска будет резко отброшен в сторону оператора.
- e) Ни в коем случае не пересекайте линию предполагаемого реза рукой перед или за пильным диском. Крайне опасно удерживать заготовку «крест-накрест», т. е. справа от пильного полотна левой рукой или наоборот, слева от пильного полотна правой рукой.
- f) Пока диск вращается, не тянитесь к задней стороне направляющей и не подносите руки на расстояние ближе 100 мм с каждой стороны пильного диска, чтобы убрать обрезки древесины или по какой-либо другой причине. Расстояние до пильного диска может быть меньше, чем кажется, в результате чего создается риск тяжелых травм.
- g) Проверяйте свои заготовки перед распиловкой. Если заготовка искривлена или изогнута, зафиксируйте ее внешней изогнутой стороной к направляющей. Всегда проверяйте отсутствие зазора между заготовкой, направляющей и столом по линии реза. Пognутые или искривленные заготовки могут перекокситься или сместиться, что может заклинить пильный диск во время резки. В заготовке не должно быть гвоздей или посторонних предметов.
- h) Не используйте пилу, пока не очистите стол от всех инструментов, обрезков и всего прочего, кроме заготовки. Мелкий мусор или куски древесины или другие предметы, касающиеся вращающегося диска, могут быть отброшены с высокой скоростью.
- i) Распиливайте по одной заготовке за раз. Уложенные рядом несколько заготовок невозможно зафиксировать или закрепить, что может привести к заклиниванию диска или смещению во время распиловки.
- j) Убедитесь, что торцовочная пила расположена на ровной, твердой рабочей поверхности во время использования. Ровная и твердая рабочая поверхность снижает риск неустойчивости торцовочной пилы.
- k) Планируйте свою работу. При каждом изменении настроек угла наклона или скоса, убедитесь, что регулируемая направляющая установлена правильно: поддерживает заготовку и не мешает диску или системе защитных кожухов. Не включая инструмент и без заготовки на столе, проведите пильный диск по воображаемой линии реза, чтобы убедиться в отсутствии помех или риска разрезать направляющую.
- l) Обеспечьте достаточную опору с помощью удлинителей стола, пильных козлов и т. п. для заготовок, которые шире или длиннее столешницы. Не поддерживаемые должным образом заготовки, длина или ширина которых больше распиловочного стола, во время пиления могут подняться или наклониться. Приподнявшаяся заготовка или отрезная часть заготовки может поднять нижний защитный кожух или может быть отброшена в сторону вращающимся пильным диском.
- m) Не используйте других лиц в качестве замены удлинителя стола или в качестве дополнительной опоры. Неустойчивая опора для заготовки может привести к заклиниванию диска или к смещению заготовки по время распиловки, что может затянуть и вас, и помощника под вращающийся диск.
- n) Не следует зажимать или прижимать каким-либо образом обрезки к вращающемуся пильному диску. Если зажать отрезной конец, например, оградителями длины, он может попасть под диск и быть резко отброшен в сторону.
- o) Всегда используйте соответствующие зажимы или фиксаторы для надлежащей поддержки круглых материалов, таких как брусья или трубы. Брусья имеют свойство катиться при распиловке, что приводит к заклиниванию диска внутри и втягиванию заготовки вместе с вашей рукой под диск.
- p) Перед подачей заготовки дождитесь, пока двигатель наберет полные обороты. Это снизит риск отбрасывания заготовки.
- q) Если заготовка или диск застряли, выключите торцовочную пилу. Дождитесь остановки всех движущихся частей, отсоедините вилку от источника питания и/или извлеките батарею. Затем высвободите застрявший материал. Продолжение распиловки с застрявшей заготовкой может привести к потере контроля или повреждению торцовочной пилы.
- r) По завершении распиловки, отпустите выключатель, удерживайте головку пилы в опущенном положении и дождитесь остановки диска, прежде чем начать уборку обрезков. Не держите руку рядом с диском во время выбега, так как это представляет опасность.

- s) Крепко удерживайте рукоятку при выполнении неполного реза или при отпуске выключателя до того, как головка пилы будет в полностью опущенном положении. Торможение пилы может привести к резкому затягиванию головки пилы вниз, что создает риск травмы.

Дополнительные правила техники безопасности для торцовочных пил

- ⚠ ОСТОРОЖНО!** Не позволяйте своему опыту (полученному от частого использования пилы) заменять правила техники безопасности. Всегда помните, что достаточно потерять бдительность на долю секунды, чтобы нанести тяжелые травмы.
- ⚠ ОСТОРОЖНО!** Никогда не вносите изменения в конструкцию электроинструмента или какой-либо его части. Это может привести к повреждениям или травмам.
- ⚠ ОСТОРОЖНО!** Не вставляйте батарею в устройство, пока полностью не прочтаете и не поймете инструкцию
- **НЕ ИСПОЛЬЗУЙТЕ ДАННЫЙ ИНСТРУМЕНТ** до завершения сборки и установки в соответствии с инструкциями. Неправильная сборка станка может стать причиной серьезной травмы.
 - **ПОСОВЕТУЙТЕСЬ СО СВОИМ** прорабом, инструктором или другим квалифицированным лицом, если не имеете всеобъемлющего опыта работы с устройством. Знание — это безопасность.
 - **УБЕДИТЕСЬ, ЧТО** диск вращается в правильном направлении. Зубья на диске должны быть направлены в сторону направления вращения, как указано на пиле.
 - Перед работой **ЗАТЯНИТЕ ВСЕ РУКОЯТКИ ЗАЖИМОВ**, ручки и рычаги. Ослабевшие зажимы могут привести к выбросу частей заготовки на высокой скорости.
 - **ИЗБЕГАЙТЕ НЕУПРАВЛЯЕМОГО ВЫХОДА ПИЛЬНОЙ ГОЛОВКИ В ПОЛНОСТЬЮ ОПУЩЕННОМ ПОЛОЖЕНИИ.** В противном случае существует риск опрокидывания машины.
 - **УБЕДИТЕСЬ, ЧТО** все диски и зажимы дисков чисты, утопленные стороны зажимов диска прижаты к диску, а распорный винт надежно затянут. Слабое или неправильноежатие диска может повлечь за собой повреждение пилы и нанести травмы.
 - **НЕ РАБОТАЙТЕ С НАПРЯЖЕНИЕМ, ОТЛИЧНЫМ ОТ УКАЗАННОГО** для пилы. Это может привести к перегреву, повреждению инструмента и травмам.
 - **НЕ ЗАКЛИНИВАЙТЕ КАКИМИ-ЛИБО ПРЕДМЕТАМИ КРЫЛЬЧАТКУ ВЕНТИЛЯТОРА** для удерживания вала двигателя. Это может привести к повреждению инструмента и травмам.
 - **НИ В КОЕМ СЛУЧАЕ НЕ РЕЖЬТЕ ЧЕРНЫЕ МЕТАЛЛЫ** и каменную кладку. Распиловка этих материалов может привести к вылету твердосплавных наконечников с диска с высокой скоростью и серьезным травмам.
 - **НИКОГДА НЕ ДОПУСКАЙТЕ НАХОЖДЕНИЯ КАКОЙ-ЛИБО ЧАСТИ ТЕЛА В ОДНОЙ ПЛОСКОСТИ С ДИСКОМ.** Это может привести к травмам.
 - **НИКОГДА НЕ НАНОСИТЕ СМАЗКУ НА ВРАЩАЮЩИЙСЯ ДИСК.** Нанесение смазки может затянуть вашу руку в диск, что приведет к серьезным травмам.
 - **НЕ** держите руки рядом с диском в то время, когда пила подключена к источнику питания. Случайный запуск диска может привести к серьезным травмам.
 - **НИКОГДА НЕ ДЕРЖИТЕ РУКИ РЯДОМ ИЛИ ЗА ПИЛЬНЫМ ДИСКОМ.** Диск может стать причиной серьезных травм.
 - **НЕ ДЕРЖИТЕ РУКИ ПОД ПИЛОЙ, ЕСЛИ ОНА НЕ ВЫКЛЮЧЕНА** и не отсоединена от источника питания. Соприкосновение с диском может привести к травме.
 - **ЗАКРЕПИТЕ ИНСТРУМЕНТ НА УСТОЙЧИВОЙ ОПОРНОЙ ПОВЕРХНОСТИ.** Вибрация может привести к скольжению, смещению или опрокидыванию устройства, что может привести к серьезным травмам.
 - **ИСПОЛЬЗУЙТЕ ТОЛЬКО ПИЛЬНЫЕ ДИСКИ ДЛЯ ПОПЕРЕЧНЫХ РАСПИЛОВ,** рекомендованные для торцово-усовочных пил. Для достижения наилучших результатов не используйте пильные диски с твердосплавными напайками, угол зубьев которых превышает 7°. Не используйте диски с глубокими впадинами между зубьями. Они могут отскочить и соприкоснуться с защитным кожухом и привести к повреждению инструмента и/или серьезным травмам.
 - **ИСПОЛЬЗУЙТЕ ТОЛЬКО ДИСКИ ПРАВИЛЬНОГО РАЗМЕРА И ТИПА,** указанного для данного инструмента, чтобы предотвратить повреждение устройства и/или серьезные травмы (согласно EN847-1:2017).
 - **МАКСИМАЛЬНАЯ СКОРОСТЬ ПИЛЬНОГО ДИСКА** всегда должна быть больше или равной скорости, указанной на паспортной табличке инструмента.
 - **ДИАМЕТР ПИЛЬНОГО ДИСКА** должен соответствовать значению на паспортной табличке инструмента.
 - **ПРОВЕРЬТЕ ДИСК НА НАЛИЧИЕ ТРЕЩИН** или других повреждений перед работой. Треснувший или поврежденный диск может разрушиться, и его фрагменты разлетятся с высокой скоростью, что приведет к серьезным травмам. Немедленно замените треснувшие и поврежденные диски.
 - **ОЧИЩАЙТЕ ДИСКИ И ЗАЖИМЫ ДИСКА** перед эксплуатацией. Очистка диска и зажимов диска позволяет вам проверять наличие повреждений диска или зажимов диска. Треснувший или поврежденный диск или зажим диска могут разрушиться с выбросом фрагментов с высокой скоростью, что может привести к серьезным травмам.
 - **НЕ ИСПОЛЬЗУЙТЕ ИСКРИВЛЕННЫЕ ДИСКИ.** Убедитесь, что диск вращается плавно и без вибраций. Вибрации диска могут привести к повреждению станка и/или серьезным травмам.

- **ЗАПРЕЩАЕТСЯ** использовать смазку и чистящие средства (в особенности аэрозольные) вблизи пластмассовой защиты. Поликарбонат, используемый в материале защитного кожуха, может повредиться под воздействием некоторых химических веществ.
- **СЛЕДИТЕ, ЧТОБЫ ЗАЩИТНЫЙ КОЖУХ ВСЕГДА БЫЛ УСТАНОВЛЕН НА ИНСТРУМЕНТ** и находился в хорошем рабочем состоянии.
- **ВСЕГДА ИСПОЛЬЗУЙТЕ ПЛАСТИНУ ДЛЯ ПРОПИЛА И ЗАМЕНЯЙТЕ ЕЕ ПРИ НАЛИЧИИ ПОВРЕЖДЕНИЙ.** Скопление мелкой щепы под пилой может помешать работе пильного диска или нарушить устойчивость заготовки во время распиловки.
- **ИСПОЛЬЗУЙТЕ ТОЛЬКО ЗАЖИМЫ ДИСКА, ПРЕДНАЗНАЧЕННЫЕ ДЛЯ ДАННОГО ИНСТРУМЕНТА,** чтобы предотвратить повреждение инструмента и/или серьезные травмы.
- **ПРОЧИЩАЙТЕ ВЕНТИЛЯЦИОННЫЕ ПРОРЕЗЫ ДВИГАТЕЛЯ** от щепы и пыли. Забитые вентиляционные прорезы могут стать причиной перегрева станка, что повлечет за собой его повреждение и, вероятно, короткое замыкание, которое в результате приведет к серьезным травмам.
- **НИКОГДА НЕ ФИКСИРУЙТЕ ВЫКЛЮЧАТЕЛЬ В ПОЛОЖЕНИИ ВКЛЮЧЕНИЯ.** Это может стать причиной серьезной травмы.
- **НИКОГДА НЕ ВСТАВАЙТЕ НА ИНСТРУМЕНТ.** Если вы перевернете инструмент или если случайно соприкоснетесь с режущим инструментом, это может привести к серьезным травмам.
- **НЕ ОСТАВЛЯЙТЕ РАБОТАЮЩИЙ ИНСТРУМЕНТ БЕЗ ПРИСМОТРА. ВЫКЛЮЧИТЕ ИНСТРУМЕНТ.** Не отходите от инструмента до его полной остановки.
- **УБЕДИТЕСЬ,** что перед началом работы подобрали правильный диск в соответствии с материалом.
- **НЕ ИСПОЛЬЗУЙТЕ АБРАЗИВНЫЕ ОТРЕЗНЫЕ КРУГИ ИЛИ ДИСКИ.** Избыточный нагрев и частицы абразива, которые образуются при работе таких кругов или дисков могут повредить пилу и стать причиной травм.

⚠ ОСТОРОЖНО! Резка пластмассы, пропитанной древесины и других материалов может привести к накоплению расплавленного материала на краях и корпусе пильного диска, что увеличивает риск перегрева и заклинивания во время резки.

⚠ ОСТОРОЖНО! ВСЕГДА надевайте защитные очки. Обычные очки НЕ ЯВЛЯЮТСЯ защитными. Также используйте защитную маску или респиратор, если при резке выделяется много пыли. ВСЕГДА ИСПОЛЬЗУЙТЕ СЕРТИФИЦИРОВАННОЕ ЗАЩИТНОЕ ОБОРУДОВАНИЕ

⚠ ОСТОРОЖНО! Некоторая пыль, создаваемая в результате шлифования, распиловки, сверления и других строительных работ, содержит химические вещества, известные в штате Калифорния как канцерогенные, а также вызывающие врожденные дефекты или наносящие вред репродуктивным системам. Некоторые из таких химических веществ:

- свинец из свинцовых красок,
- кристаллический диоксид кремния из кирпичей, бетона и других элементов кладки,
- мышьяк и хром из химически обработанной древесины.

Степень риска воздействия данных веществ повышается в зависимости от частоты выполнения подобных видов работ. Чтобы снизить риск контакта с данными химическими веществами: оператор и присутствующие должны работать в хорошо вентилируемом месте с использованием соответствующего защитного снаряжения, такого как респиратор для фильтрации микроскопических частиц.

- **Избегайте длительного контакта с пылью при шлифовании, распиловке, сверлении и других строительных работах. Носите защитную одежду и промойте открытые участки тела водой с мылом.** Попадание пыли в рот, глаза или на кожу может привести к поглощению вредных химических веществ.

⚠ ОСТОРОЖНО! Использование этого инструмента может создавать и/или выделять пыль, которая может вызвать серьезные и безвозвратные повреждения дыхательных путей и других органов. Всегда используйте соответствующие средства защиты органов дыхания, подходящие для работы в условиях запыленности. Следите за тем, чтобы лицо и тело было в стороне от линии выброса пыли.

⚠ ОСТОРОЖНО! Во время эксплуатации обязательно надевайте средства защиты органов слуха. В некоторых условиях и во время использования шум данного инструмента может стать причиной нарушения слуха.

- **Учитывайте следующие факторы, влияющие на уровень шума.**
 - Используйте пильные диски с пониженным шумовыделением.
 - Используйте только хорошо заточенные диски.
 - Используйте пильные диски, специально разработанные для снижения уровня шума.
- **Движущиеся части часто скрываются за вентиляционными прорезами; избегайте контакта с ними.** Свободная одежда, украшения или длинные волосы могут быть затянуты движущимися деталями.

Остаточные риски

При использовании пилы присутствуют следующие риски:

- травмы, полученные в результате касания вращающихся частей.
- Несмотря на соблюдение соответствующих инструкций по технике безопасности и использование предохранительных устройств, некоторые остаточные риски невозможно полностью исключить. А именно:
- ухудшение слуха;
 - несчастные случаи, происходящие в результате контакта с открытым движущимся пильным диском;

- риск получения травмы пальцев при смене диска;
- риск защемления пальцев при снятии защитного кожуха;
- ущерб здоровью в результате вдыхания пыли от распила древесины, в особенности, дуба, бука и ДВП.

Следующие факторы увеличивают риск нарушения дыхания:

- при обработке древесины не используется пылеудалняющее устройство;
- неудовлетворительное пылеудаление по причине засорения выхлопных фильтров.

СОХРАНИТЕ НАСТОЯЩЕЕ РУКОВОДСТВО

Зарядные устройства

Зарядные устройства DeWALT не требуют регулировки и максимально просты в использовании.

Электробезопасность

Электродвигатель рассчитан на работу только при одном напряжении сети. Необходимо обязательно убедиться в том, что напряжение источника питания соответствует указанному на паспортной табличке устройства. Необходимо также убедиться в том, что напряжение работы зарядного устройства соответствует напряжению в сети.



Зарядное устройство DeWALT оснащено двойной изоляцией в соответствии с требованиями EN60335; поэтому провод заземления не требуется.

Если поврежден кабель питания, его нужно заменить у DeWALT или в официальном сервисном центре.

Замена штепсельной вилки (только для Великобритании и Ирландии)

Если нужно установить сетевую вилку:

- осторожно снимите старую вилку;
- подсоедините коричневый провод к выводу фазы в вилке;
- подсоедините синий провод к нулевому выводу.



ОСТОРОЖНО! Заземление не требуется.

Соблюдайте инструкции по установке, поставляемые в комплекте к вилкам высокого качества. Рекомендованный предохранитель: 3 А.

Использование удлинительного кабеля

Используйте удлинительный кабель только в случае крайней необходимости. Используйте только утвержденные удлинители промышленного производства, рассчитанные на мощность не меньшую, чем потребляемая мощность зарядного устройства (см. раздел «Технические характеристики»). Минимальное поперечное сечение провода электрического кабеля должно составлять 1 мм²; максимальная длина — 30 м.

При использовании кабельного барабана всегда полностью разматывайте кабель.

Важные инструкции по технике безопасности для всех зарядных устройств

СОХРАНИТЕ НАСТОЯЩЕЕ РУКОВОДСТВО. В данном руководстве содержатся важные инструкции по технике безопасности для совместимых зарядных устройств (см. **Технические характеристики**).

- Перед тем как использовать зарядное устройство, внимательно изучите все инструкции и предупреждающие этикетки на зарядном устройстве, батарее и инструменте, для которого используется батарея.
- **⚠ ОСТОРОЖНО!** Опасность поражения электрическим током. Не допускайте попадания жидкости в зарядное устройство. Это может привести к поражению электрическим током.
- **⚠ ОСТОРОЖНО!** Рекомендуется использовать устройство защитного отключения (УЗО) с током утечки до 30 мА.
- **⚠ ВНИМАНИЕ!** Опасность ожога. Во избежание травм следует использовать только аккумуляторные батареи производства DeWALT. Использование батарей другого типа может привести к взрыву, травмам и повреждениям.
- **⚠ ВНИМАНИЕ!** Не позволяйте детям играть с данным инструментом.
- **⚠ ПРИМЕЧАНИЕ.** В определенных условиях, при подключении зарядного устройства к источнику питания, может произойти короткое замыкание контактов внутри зарядного устройства посторонними материалами. Не допускайте попадания в полости зарядного устройства таких токопроводящих материалов, как стальная стружка, алюминиевая фольга или другие металлические частицы и т. п. Всегда отключайте зарядное устройство от источника питания, если в нем нет аккумуляторной батареи. Всегда отключайте зарядное устройство от сети перед тем, как приступить к очистке устройства.

- **НЕ ПЫТАЙТЕСЬ заряжать батареи с помощью каких-либо других зарядных устройств, кроме тех, которые указаны в данном руководстве.** Зарядное устройство и аккумуляторная батарея совместимы между собой.

- **Эти зарядные устройства не предназначены ни для какого другого использования, помимо зарядки аккумуляторных батарей DeWALT.** Использование любых других батарей может привести к возгоранию, поражению электротоком или гибели от электрического шока.

- **Не подвергайте зарядное устройство воздействию снега или дождя.**
- **Отсоединяя зарядное устройство, держите его за штекер, а не за провод.** Это поможет избежать повреждения штепсельной вилки и розетки.

- **Убедитесь в том, что кабель расположен таким образом, чтобы на него не наступили, не споткнулись об него, а также в том, что он не натянут и не может быть поврежден.**
- **Используйте удлинитель только при необходимости.** Использование удлинительного кабеля неподходящего типа может привести к пожару или поражению электрическим током.
- **Не ставьте на зарядное устройство никакие предметы и не устанавливайте зарядное устройство на мягкую поверхность, которая может закрыть вентиляционные отверстия и привести к перегреву.** Не располагайте зарядное устройство поблизости от источников тепла. Вентиляция зарядного устройства происходит с помощью отверстий в верхней и нижней части корпуса.
- **Не используйте зарядное устройство, если кабель или штепсельная вилка повреждены — их следует немедленно заменить.**
- **Не используйте зарядное устройство, если оно подверглось удару, упало или было каким-либо образом повреждено.** Обратитесь в авторизованный сервисный центр.
- **Не разбирайте зарядное устройство; обратитесь в авторизованный сервисный центр для проведения обслуживания или ремонта.** Неправильная сборка может стать причиной пожара или поражения электрическим током.
- **В случае повреждения кабеля питания его необходимо немедленно заменить у производителя, в его сервисном центре или с привлечением другого специалиста аналогичной квалификации для предотвращения несчастного случая.**
- **Перед очисткой отсоединяйте зарядное устройство от розетки. Это снижает риск поражения электрическим током.** Извлечение аккумуляторной батареи не приведет к снижению степени этого риска.
- **НИКОГДА не пытайтесь соединить два зарядных устройства вместе.**
- **Зарядное устройство предназначено для работы при стандартном напряжении сети в 230 В. Не пытайтесь использовать его с другим напряжением.** Это не относится к зарядному устройству для транспортных средств.

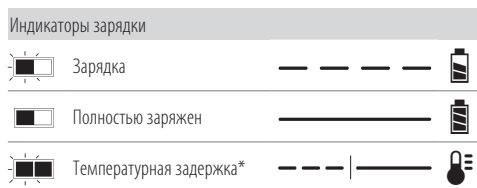
Зарядка батареи (рис. В)

1. Перед установкой батареи подключите зарядное устройство к соответствующей сетевой розетке.
2. Вставьте аккумуляторную батарею 3 в зарядное устройство и убедитесь в том, что она вставлена надежно. Красный индикатор (зарядки) начнет мигать. Это означает, что процесс зарядки начался.
3. По окончании зарядки красный индикатор будет гореть непрерывно, не мигая. Теперь батарея полностью заряжена, и ее можно использовать или оставить в зарядном устройстве. Чтобы извлечь аккумуляторную батарею из зарядного устройства, нажмите кнопку разблокирования аккумуляторного отсека 4 и извлеките батарею.

ПРИМЕЧАНИЕ. Чтобы обеспечить максимальную производительность и срок службы литий-ионных батарей, перед первым использованием полностью зарядите аккумуляторную батарею.

Работа с зарядным устройством

См. схемы горения индикаторов ниже, чтобы узнать о состоянии заряда аккумуляторной батареи.



*В это время красный индикатор продолжит мигать, но загорится желтый индикатор. Когда аккумуляторная батарея нагреется до подходящей температуры, желтый индикатор погаснет, и зарядное устройство продолжит процесс зарядки.

Совместимое зарядное устройство (-а) не будет заряжать неисправную аккумуляторную батарею. Не загорающийся индикатор на зарядном устройстве указывает на неисправность аккумуляторной батареи.

ПРИМЕЧАНИЕ. Также это может указывать на проблему с зарядным устройством.

Если зарядное устройство указывает на наличие проблемы, отнесите зарядное устройство и аккумуляторную батарею в авторизованный сервисный центр для тестирования.

Температурная задержка

Если зарядное устройство определит, что аккумуляторная батарея чрезмерно охлаждена или нагрета, автоматически инициируется пауза для согревания/охлаждения, в течение которой батарея достигает оптимальной для зарядки температуры. Затем зарядное устройство автоматически переключается на режим зарядки. Данная функция увеличивает максимальный срок службы аккумуляторной батареи.

Зарядка холодной батареи занимает больше времени, чем теплой. Аккумуляторная батарея заряжается медленнее во время цикла зарядки и максимального заряда не удастся добиться даже после того, как аккумуляторная батарея нагреется.

Зарядное устройство DCB118 оснащено внутренним вентилятором для охлаждения батареи. Вентилятор включится автоматически, если батарея нуждается в охлаждении. Не используйте зарядное устройство, если вентилятор не функционирует или если забиты

вентиляционные отверстия. Не позволяйте посторонним предметам попадать внутрь зарядного устройства.

Система электронной защиты

Ионно-литиевые аккумуляторные батареи XR оснащены системой электронной защиты от перегрузки, перегрева или глубокой разрядки.

При срабатывании системы электронной защиты устройство автоматически отключается.

Если это произошло, поместите ионно-литиевую аккумуляторную батарею в зарядное устройство до ее полной зарядки.

Крепление на стену

Данные зарядные устройства можно крепить на стены или устанавливать на стол или рабочую поверхность. При креплении на стену расположите зарядное устройство в пределах досягаемости розетки и подальше от углов и других препятствий, которые могут помешать потоку воздуха. Для отметки расположения на стене крепежных винтов воспользуйтесь задней частью зарядного устройства в качестве шаблона. Надежно закрепите зарядное устройство при помощи саморезов (приобретаются отдельно) длиной минимум в 25,4 мм с диаметром шляпки в 7–9 мм Саморезы следует вкручивать в дерево до оптимальной глубины, чтобы на поверхности оставалось примерно 5,5 мм самореза. Совместите отверстия на задней стороне зарядного устройства с выступающими саморезами и полностью вставьте их в отверстия.

Инструкции по очистке зарядного устройства

⚠ ОСТОРОЖНО! Опасность поражения электрическим током. Перед чисткой отключите зарядное устройство от сети питания. Корпус зарядного устройства можно очищать тряпкой или мягкой неметаллической щеткой. Не используйте воду или чистящие растворы. Не допускайте попадания жидкости внутрь устройства; никогда не погружайте никакие из деталей устройства в жидкость.

Блоки аккумуляторных батарей

Важные инструкции по технике безопасности для всех батарей

При заказе запасных батарей не забудьте указать номер по каталогу и напряжение.

При покупке батареи заряжена не полностью. Перед тем, как использовать батарею и зарядное устройство, прочтите следующие инструкции по технике безопасности. Затем выполните необходимые действия для зарядки.

ПРОЧИТЕ ВСЕ ИНСТРУКЦИИ

- **Не заряжайте и не используйте батарею во взрывоопасной атмосфере, например, при наличии горючих жидкостей, газов или пыли.** Установка или извлечение батареи из зарядного устройства может вызвать воспламенение пыли или газов.
- **Никогда не прилагайте больших усилий, вставляя батарею в зарядное устройство. Не вносите изменения в конструкцию батарей с целью установить их в зарядное устройство, к которому они не подходят. Это может привести к серьезным травмам.**
- **Заряжайте батареи только с помощью зарядных устройств DEWALT.**
- **НЕ БРЫЗГАЙТЕ** на них и не погружайте в воду или другие жидкости.
- **Не храните и не используйте данное устройство и аккумуляторную батарею при температуре ниже 4 °C (39,2 °F) (например, во внешних пристройках или металлических постройках в зимнее время) или выше 40 °C (104 °F) (например, во внешних пристройках или металлических постройках в летнее время).**
- **Не сжигайте батареи, даже поврежденные или полностью отработавшие.** При попадании в огонь батареи могут взорваться. При сжигании ионно-литиевых батарей образуются токсичные вещества и газы.
- **При попадании содержимого батареи на кожу немедленно промойте это место водой с мылом.** При попадании содержимого батареи в глаза, необходимо промыть открытые глаза проточной водой в течение 15 минут или до тех пор, пока не пройдет раздражение. При необходимости обращения к врачу, может пригодиться следующая информация: электролит представляет собой смесь жидких органических углекислых и литиевых солей.
- **При вскрытии батареи ее содержимое может вызвать раздражение дыхательных путей.** Обеспечьте наличие свежего воздуха. Если симптомы сохраняются, обратитесь к врачу.

⚠ ОСТОРОЖНО! Опасность ожога. Содержимое батареи может воспламениться при попадании искр или огня.

⚠ ОСТОРОЖНО! Ни в коем случае не разбирайте батарею. Не устанавливайте батарею в зарядное устройство, если на ней имеются трещины или другие повреждения. Не роняйте батарею и не подвергайте ее ударам или другим повреждениям. Не используйте батарею или зарядное устройство после удара, падения или получения каких-либо других повреждений (например, после того, как ее проткнули гвоздем, ударили молотком или наступили на нее). Это может привести к поражению электрическим током или гибели от электрического шока. Поврежденные батареи необходимо вернуть в сервисный центр для повторной переработки.

⚠ ОСТОРОЖНО! Огнеопасно. Избегайте замыкание выводов батарей металлическими предметами во время хранения или переноски. Например, не кладите аккумуляторные батареи в передники, карманы, ящики для инструментов, выдвижные ящики и т. п. с гвоздями, гайками, ключами и т. п.

⚠ ВНИМАНИЕ! Когда инструмент не используется, кладите его на бок на устойчивую поверхность в том месте, где о него нельзя споткнуться и упасть. Некоторые инструменты с аккумуляторными батареями больших

размеров стоят на аккумуляторной батарее в вертикальном положении, но их легко опрокинуть.

Транспортировка



ОСТОРОЖНО! Огнеопасно. При транспортировке аккумуляторных батарей может произойти возгорание, если терминалы аккумуляторных батарей случайно будут замкнуты электропроводящими материалами. При транспортировке аккумуляторных батарей убедитесь в том, что терминалы защищены и хорошо изолированы от материалов, контакт с которыми может привести к короткому замыканию. **ПРИМЕЧАНИЕ.** Ионно-литиевые аккумуляторные батареи запрещается сдавать в багаж.

Батареи DEWALT соответствуют всем применимым правилам транспортировки, предусмотренным промышленными и юридическими стандартами, включая рекомендации ООН по транспортировке опасных грузов, правила перевозки опасных грузов Ассоциации международных авиаперевозчиков (IATA), Международные правила перевозки опасных грузов морским путем (IMDG), а также европейское соглашение о международной дорожной перевозке опасных грузов (ADR). Ионно-литиевые элементы и аккумуляторные батареи были протестированы в соответствии с разделом 38.3 Рекомендаций ООН по транспортировке опасных грузов руководства по тестам и критериям.

В большинстве случаев, транспортировка аккумуляторных батарей DEWALT не попадает под классификацию, поскольку они не являются опасными материалами класса 9. В целом полностью под правила класса 9 подпадают только перевозки ионно-литиевых батарей с энергоемкостью выше 100 Ватт час (Вт ч). Энергоемкость всех ионно-литиевых аккумуляторных батарей указана на упаковке. Кроме того, из-за сложности регулирования, DEWALT не рекомендует перевозку ионно-литиевых батарей по воздуху независимо от их энергоемкости. Поставки инструментов с батареями (комбинированные наборы) могут перевозиться по воздуху согласно исключениям, если энергоемкость батареи не превышает 100 Вт ч.

Независимо от того, является ли перевозка исключением или выполняется по правилам, перевозчик должен уточнить последние требования к упаковке, маркировке и оформлению документации.

Информация, изложенная в данном руководстве обоснована и на момент создания данного документа может считаться точной. Но, эта гарантия не является ни выраженной, ни подразумеваемой. Покупатель должен обеспечить то, что бы его деятельность соответствовала всем применимым законам.

Транспортировка батареи FLEXVOLT™

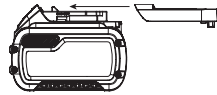
Батарея DEWALT FLEXVOLT™ оснащена двумя режимами: **эксплуатации** и **транспортировки**.

Режим эксплуатации. Если батарея FLEXVOLT™ используется отдельно или в изделии DEWALT на 18 В, то она будет работать в качестве батареи 18 В. Если батарея FLEXVOLT™ используется в изделии на 54 В или 108 В (две батареи 54 В), то она будет работать в качестве батареи 54 В.

Режим транспортировки. Если к батарее FLEXVOLT™ прикреплена крышка, то батарея находится в режиме транспортировки. Сохраните крышку для транспортировки.

В режиме транспортировки ряды элементов электрически отсоединяются внутри батареи, что в итоге дает 3 батареи с более низкой энергоемкостью в ватт-часах (Вт ч) по сравнению с 1 батареей с более высокой емкостью в ватт-часах. Данное увеличенное количество в 3 батареи с более низкой энергоемкостью может исключить комплект из некоторых ограничений на перевозку, налагаемых на батареи с более высокой энергоемкостью.

Например, энергоемкость в режиме транспортировки указана как 3 x 36 Вт ч, что может означать 3 батареи с емкостью в 36 Вт ч каждая. Энергоемкость в режиме эксплуатации указана как 108 Вт ч (подразумевается 1 батарея).



Рекомендации по хранению

1. Лучшим местом для хранения является прохладное и сухое место, защищенное от прямых солнечных лучей, высокой или низкой температуры. Для оптимальной работы и продолжительного срока службы, храните неиспользуемые аккумуляторные батареи при комнатной температуре.
2. Для достижения максимальных результатов при продолжительном хранении рекомендуется полностью зарядить батарейный комплект и хранить его в прохладном сухом месте вне зарядного устройства.

Маркировка на зарядном устройстве и аккумуляторной батарее

Помимо пиктограмм, используемых в данном руководстве, на зарядном устройстве и батарее имеются следующие обозначения:



Перед началом работы прочтите руководство по эксплуатации.



Время зарядки см. в разделе «Технические характеристики».



Не касайтесь токопроводящими предметами контактов батареи и зарядного устройства.



Не пытайтесь заряжать поврежденную батарею.



Не подвергайте электроинструмент или его элементы воздействию влаги.



Немедленно заменяйте поврежденный кабель питания.



Зарядку осуществляйте только при температуре от 4 °C до 40 °C.



Для использования внутри помещений.



LI-ION

Утилизируйте отработанные батареи безопасным для окружающей среды способом.



Заряжайте аккумуляторные батареи только с помощью соответствующих зарядных устройств DEWALT. Зарядка иных аккумуляторных батарей, кроме DEWALT на зарядных устройствах DEWALT может привести к возгоранию аккумуляторных батарей и возникновению других опасных ситуаций.



Не сжигайте аккумуляторную батарею.



ЭКСПЛУАТАЦИЯ (без крышки для транспортировки). Пример: указана энергоемкость 108 Вт ч (1 батарея с 108 Вт ч).



ТРАНСПОРТИРОВКА (с крышкой для транспортировки). Пример: указана энергоемкость 3 x 36 Вт ч (3 батареи с 36 Вт ч).

Тип батареи

Модель DCS781 работает от 54 В аккумуляторной батареи.

Могут применяться следующие типы батарей: DCB546, DCB547, DCB548. Более подробную информацию см. в разделе «Технические характеристики».

Комплект поставки

В комплектацию входит:

- 1 Торцовочная пила DCS781
- 1 Стабилизационная штанга
- 1 Пильный диск DEWALT диаметром 305 мм
- 2 Удлинения основания
- 1 Зажим для заготовки
- 1 Зарядное устройство (только в комплекте)
- 1 Аккумуляторная батарея (только в комплекте)

Содержимое мешка:

- 1 Пылесборник
- 1 Ключ для диска
- 1 Руководство по эксплуатации

- Проверьте инструмент, его детали или дополнительные принадлежности на предмет повреждений, которые могли возникнуть во время транспортировки.
- Перед эксплуатацией внимательно прочтите данное руководство.

Маркировка инструмента

На инструмент нанесены следующие обозначения:



Перед началом работы прочтите руководство по эксплуатации.



Используйте защитные наушники.



Используйте защитные очки.



Держите руки на расстоянии от диска.



Держите руки на расстоянии в по крайней мере 100 мм от пильного диска.



НЕ смотрите на источник света.



Место для переноски.

Расположение дата-кода (рис. С)

Дата-код **64**, который также включает год изготовления, напечатан на корпусе.

2022 XX XX

Год производства

Описание (рис. А)

! **ОСТОРОЖНО!** *Никогда не вносите изменения в конструкцию электроинструмента или какой-либо его части. Это может привести к повреждениям или травмам.*

- | | |
|--|---|
| 1 Пусковой выключатель | 17 Отверстие пылеотвода |
| 2 Рабочая рукоятка | 18 Стол |
| 3 Аккумуляторная батарея | 19 Рукоятка фиксатора головки |
| 4 Кнопка разблокирования аккумулятора отсека | 20 Основание |
| 5 Монтажные отверстия | 21 Выключатель XPS |
| 6 Нижний защитный кожух | 22 Барашковая гайка |
| 7 Ручка регулировки угла скоса | 23 Вертикальный зажим материала |
| 8 Фиксатор угла скоса | 24 Направляющие штанги |
| 9 Градуированная шкала угла скоса | 25 Ограничитель глубины |
| 10 Винты шкалы угла скоса | 26 Пластина для пропила |
| 11 Углубления для захвата рукой | 27 Винты указателя угла скоса |
| 12 Направляющая | 28 0° упор фаски |
| 13 Ручка защелки фаски | 29 Винт регулировки глубины |
| 14 Стабилизатор | 30 Ручка фиксатора направляющих штанг |
| 15 Ручка для переноски | 31 Указатель шкалы угла горизонтального распила |
| 16 Ручка регулировки направляющей | 32 Удлинительная штанга |

Сфера применения

Ваша беспроводная компактная торцовочная пила DeWALT разработана для профессиональной распиловки древесины, изделий из древесины и пластмассы. При использовании соответствующих пильных дисков возможна распиловка алюминиевых профилей. Пила позволяет легко, точно и безопасно выполнять поперечные распилы, срез скосов и фасок.

Этот инструмент разработан для использования штатных дисков диаметром 305 мм с твердосплавной режущей кромкой.

НЕ ИСПОЛЬЗУЙТЕ этот инструмент в условиях повышенной влажности или поблизости от легковоспламеняющихся жидкостей или газов.

Эти торцовочные пилы являются профессиональными электроинструментами.

НЕ ПОДПУСКАЙТЕ детей к инструменту. Использование инструмента неопытными пользователями должно происходить под контролем опытного лица.

! **ОСТОРОЖНО!** *Используйте инструмент только для выполнения работ, для которых он предназначен.*

- **Малолетние дети и люди с ограниченными физическими возможностями.** Данный инструмент не предназначен для использования маленькими детьми или людьми с ограниченными физическими возможностями, если они не находятся под присмотром лица, отвечающего за их безопасность.
- Данный инструмент не предназначен для использования лицами (включая детей) с ограниченными физическими, психическими и умственными возможностями, не имеющими опыта, знаний или навыков работы с ним, если они не находятся под наблюдением лица, ответственного за их безопасность. Никогда не оставляйте детей с этим инструментом без присмотра.

Ознакомление (рис. А, D)

Ваша торцовочная пила поставляется в полностью собранном виде. Инструкции по сборке см. в разделах «Сборка удлинений основания» и «Сборка стабилизационной рейки». Откройте коробку и извлеките пилу с помощью рукоятки для переноски **15**, как показано на рисунке D.

Установите пилу на ровную, плоскую поверхность, такую как верстак или прочный стол.

Изучите рисунок А, чтобы ознакомиться с пилой и ее различными частями. Раздел по регулировке будет ссылаться на данные определения, поэтому вам нужно знать какие части и где они расположены.

! **ВНИМАНИЕ!** *Опасность защемления. Для снижения риска получения травмы, держите большой палец под рукояткой при вытягивании рукоятки вниз. При опускании рукоятки поднимается нижний защитный кожух, что может привести к защемлению пальцев. Рукоятка расположена рядом с защитным кожухом для выполнения специальных резов.*

Слегка надавите на рабочую рукоятку **2**, вытяните штифт фиксатора головы **19** и поверните ее на 90 градусов. Аккуратно ослабьте нажим и дайте ручке подняться в крайнее верхнее положение. Используйте штифт фиксатора головы при переноске пилы с одного места на другое. Для переноски пилы всегда используйте рукоятку для подъема **15** или углубления для рук **11** показанные на рисунке А.

Использование светодиодной подсветки CUTLINE™ (рис. А)

! **ВНИМАНИЕ!** *Не направляйте свет в глаза. Это может привести к серьезным повреждениям глаз.*

ПРИМЕЧАНИЕ. Батарея должны быть заряжена и установлена в торцовочную пилу.

Светодиодная подсветка CUTLINE™ включается с помощью переключателя **21**. Подсветка автоматически выключается через 20 секунд, если инструмент не используется. Также подсветка автоматически включается при каждом нажатии на курковый пусковой выключатель **1** инструмента.

Чтобы сделать распил вдоль карандашной линии на деревянной заготовке, включите систему подсветки CUTLINE™ нажав на выключатель подсветки **21** (не нажимая на курковый пусковой выключатель пилы) и опустите вниз рабочую рукоятку **2**,

максимально приближая пильный диск к поверхности заготовки. На заготовке будет видна тень от диска. Данная тень покрывает участок материала, который будет удален диском во время распила. Для точного распила вдоль линии выровняйте край тени диска по карандашной линии. Помните, что для полного совпадения тени диска с карандашной линией вам может понадобиться дополнительная регулировка угла скоса или наклона.

Ваша пила оснащена индикатором неисправности батареи. Подсветка CUTLINE™ начинает мигать, если заряд аккумуляторной батареи заканчивается, или если аккумуляторная батарея перегревается. Перед выполнением любой дальнейшей работы зарядите батарею. Инструкции по технике безопасности при зарядке батарей см. в подразделе «Процедура зарядки» в разделе «Важные инструкции по эксплуатации для всех аккумуляторных батарей».

Регулировка скоса (рис. А)

Рычаг регулировки угла скоса и фиксатор угла скоса позволяют выполнять распил под углом 60° вправо и 50° влево. Чтобы выполнять распил под углом, поднимите рычаг регулировки угла скоса **7**, нажмите фиксатор угла скоса **8** и переместите раму пилы на необходимый угол по шкале угла скоса **9**, как показывает указатель шкалы угла горизонтального распила **31**. Нажмите на рычаг регулировки угла скоса, чтобы зафиксировать его.

СБОРКА И РЕГУЛИРОВКА

! **ОСТОРОЖНО!** *Чтобы снизить риск получения серьезной травмы, необходимо выключить станок и отсоединить батарею, прежде чем выполнять регулировку либо удалять/устанавливать дополнительные приспособления или принадлежности. Случайный запуск может привести к травме.*

! **ОСТОРОЖНО!** *Используйте только зарядные устройства и аккумуляторные батареи марки DeWALT.*

Сборка удлинений основания (рис. Е)

! **ОСТОРОЖНО!** *Удлинения основания должны быть собраны с обеих сторон основания пилы перед ее использованием.*

1. Удлинитель **32** должен быть ориентирован, как показано на рисунке Е, и полностью задвинут в U-образные опоры. Не используйте пилу без установленных удлинений!
2. Вставьте винт удлинителя **63** до конца и зажмите стержни удлинителя на основании торцовочной пилы.
3. Повторите этапы с 1 по 2 с другой стороны.

Установка на верстаке (рис. А)

Монтажные отверстия **5** предусмотрены на всех 4 ножках для установки на верстаке, как показано на рисунке А. (Под винты разных размеров предназначены отверстия двух разных диаметров. Вы можете использовать любые отверстия, нет необходимости использовать все одновременно.) Во избежание смещения пилы надежно закрепляйте ее на подходящей поверхности. Для удобства, инструмент можно установить на листе фанеры толщиной 12,7 мм или более, который затем крепится на поверхность основания или может быть перенесен в другое место, а затем закреплен.

ПРИМЕЧАНИЕ. При установке пилы на лист фанеры проследите за тем, чтобы монтажные винты не выступали снизу. Фанерная панель должна ровно лежать на опоре. Во время крепления пилы к какой-либо рабочей поверхности, ее следует крепить только за выступы, на которых находятся монтажные отверстия. Крепление в любой другой точке помешает нормальной работе пилы.

! **ВНИМАНИЕ!** *Во избежание заклинивания и неточной работы, проследите за тем, чтобы монтажная поверхность была ровной. Если пила качается на поверхности, поместите тонкий слой материала под одну из лап, так, чтобы пила уверенно стояла на монтажной поверхности.*

Сборка стабилизационной штанги (рис. F)

В комплект пилы входит один стабилизатор основания **14**. Перед началом эксплуатации пилы его необходимо установить. Вставьте стабилизатор в отверстия в задней части устройства. Перемещайте стабилизатор внутрь или наружу, пока он не коснется рабочей поверхности. Затем затяните винты **62** в основании, чтобы закрепить стабилизатор.

Замена и установка нового пильного диска (рис. А, G)

! **ОСТОРОЖНО!** *Чтобы снизить риск получения серьезной травмы, выключите инструмент, извлеките аккумуляторный блок и установите рычаг блокировки в транспортное положение перед транспортировкой, выполнением любых регулировок, чисткой, ремонтом или снятием/установкой насадок или принадлежностей. Случайный запуск может привести к травме.*

! **ОСТОРОЖНО!** *Для снижения риска получения травмы при работе с пильными дисками надевайте защитные перчатки.*

! **ВНИМАНИЕ!**

- Никогда не нажимайте кнопку фиксации шпинделя во время работы или инерционного движения диска.
- Не используйте данную торцовочную пилу для резки черных металлов (с содержанием чугуна и стали), камня или изделий из волокнистого цемента.

! **ОСТОРОЖНО!** *Следите за тем, чтобы пильный диск был установлен, как описано выше. Используйте только пильные диски, указанные в разделе «Дополнительные принадлежности».*

Снятие диска (рис. А, G)

1. Извлеките из пилы аккумуляторную батарею **3**.

2. Поднимите рычаг в верхнее положение и поднимите нижнее ограждение **6** на максимально возможную высоту.
3. Нажмите на кнопку фиксации шпинделя **36** и осторожно поворачивайте пильный диск рукой, чтобы была задействована блокировка.
4. Поверните пальцем пластину болта лезвия **38**, чтобы добраться до головки болта лезвия **40**.
5. Удерживая кнопку блокировки шпинделя нажатой, а пластину болта ножа отодвинутой, ослабьте болт лезвия прилагаемым ключом **37**. (Поворачивайте по часовой стрелке, левая резьба.) Извлеките винты лезвия.
6. Приступайте к снятию внешней зажимной шайбы, адаптера пильного диска и самого диска.

Установка лезвия (рис. А, G)

1. Извлеките из пилы аккумуляторную батарею **3**.
2. Переведите головку пилы в верхнее положение и поднимите нижнее ограждение **6** на максимально возможную высоту. Установите на шпиндель сначала лезвие **39**, затем адаптер лезвия **59** затем внешнюю зажимную шайбу **57**. Убедитесь, что направление стрелки на лезвии совпадает с направлением стрелки на защитной пластине.
3. Нажмите на кнопку фиксации шпинделя **36** и осторожно поворачивайте пильный диск рукой, чтобы была задействована блокировка.
4. Отодвиньте пальцем пластину болта лезвия **38**, чтобы добраться до головки болта лезвия **40**.
5. Удерживая кнопку блокировки шпинделя нажатой, а пластину болта ножа отодвинутой, надежно затяните болт лезвия прилагаемым ключом **37**. (Поворачивайте против часовой стрелке, левая резьба.)

Замена пластин для пропила (рис. А)

1. Для снятия пластины для пропила **26**, выверните винты, удерживающие пластину для пропила и замените ее новой.
2. Вкрутите винты обратно в следующей последовательности: сначала в круглые отверстия на полпути к концам, затем в пазы в концах. В регулировке нет необходимости.

Регулировка шкалы угла скоса (рис. А, H)

Разблокируйте ручку регулировки угла скоса **7** и поверните раму пилы таким образом, чтобы защелка угла скоса **8** зафиксировалась в положении угла скоса 0°. Не блокируйте ручку блокировки распила под углом. Приложите угольник к направляющей и диску пилу, как показано на рисунке. (Не касайтесь зубцов диска угольником. Это приведет к неточному измерению.) Если пильный диск не находится под прямым углом по отношению к направляющей **12**, ослабьте четыре винта шкалы угла скоса **10**, которые удерживают шкалу угла скоса и переместите ручку регулировки угла скоса и шкалу влево или вправо, пока диск не будет расположен перпендикулярно направляющей, согласно измерению угольником. Затяните четыре винта. На данном этапе не обращайте внимание на показания указателя угла скоса.

Регулировка указателя угла скоса (рис. А)

Разблокируйте ручку регулировки угла скоса **7**, чтобы установить раму в положение нулевого угла. При ослабленной ручке регулировки угла скоса дайте фиксатору угла скоса **8** встать на место, двигая для этого рычаг регулировки угла скоса в положение больше нуля. Следите за указателем угла скоса **31** и шкалой угла скоса **9**, как указано на рисунке А. Если указатель не показывает ровно ноль, ослабьте винт указателя скоса **27**, удерживая указатель, затем расположите указатель в нужном месте и затяните винт.

Регулировка перпендикулярности диска относительно стола (рис. А, I, J)

Для выравнивания пильного диска перпендикулярно распиловочному столу **18** заблокируйте консоль в нижнем положении, задействовав фиксатор пильной головки **19**. Приложите к корпусу пильного диска угольник, следя за тем, чтобы угольник не касался режущих кромок зубьев диска. Ослабьте зажимную рукоятку установки угла фаски **13** и убедитесь, что пильная головка плотно прилегает к упору 0°. Поворачивайте винт регулировки угла фаски 0° **42** 6 мм ключом для диска, чтобы наклон диска составлял 0° по отношению к столу.

Указатель угла наклона (рис. J)

Если указатель угла наклона **43** не указывает на ноль, ослабьте винт **44**, удерживающий указатель угла наклона, и переместите указатель в нужное положение. Перед тем как отрегулировать другие винты угла фаски убедитесь, что угол фаски 0° правилен.

Регулировка упора угла фаски 45° влево (рис. А, J)

Для регулировки правого угла скоса 45° ослабьте зажимную рукоятку установки угла фаски **13**, затем потяните упор 0° угла фаски и поверните на 90°, чтобы преодолеть упор 0° угла фаски. Если указатель угла фаски не показывает ровно 45°, когда пила находится в крайнем правом положении, поворачивайте левый винт регулировки угла фаски 45° **45** 6 мм ключом диска пока указатель угла фаски не будет показывать 45°.

Чтобы отрегулировать ограничитель угла наклона на 45° влево, сначала ослабьте зажимную рукоятку установки угла наклона и наклоните головку влево. Если указатель угла фаски не указывает ровно 45°, поворачивайте правый винт регулировки угла фаски 45° **45** пока указатель угла фаски **43** не будет показывать 45°.

Регулировка упора угла фаски 22,5° (или 33,9°) (рис. А, J)

ПРИМЕЧАНИЕ. Перед тем как выполнить регулировку угла наклона, выполните регулировку указателя угла наклона на 0°.

- Чтобы установить угол фаски 22,5° слева, выверните левую защелку для косой резки фаски карнизов 22,5° **47**. Ослабьте зажимную рукоятку установки угла фаски **13** и сдвиньте пильную раму до конца влево. Если указатель угла фаски не указывает ровно 22,5°, поворачивайте винт регулировки угла распила карниза **46**, соприкасающийся с защелкой, 10 мм ключом, пока указатель угла фаски не будет показывать 22,5°.
- Чтобы установить угол фаски 22,5° справа, выверните правую защелку для косой резки фаски карнизов 22,5°. Ослабьте зажимную рукоятку установки угла фаски, затем потяните упор 0° угла фаски и поверните на 90 градусов, чтобы преодолеть упор 0° угла фаски. Если указатель угла скоса кромки не указывает ровно 22,5°, когда пила находится в крайнем правом положении, поворачивайте винт регулировки угла распила карниза, соприкасающийся с защелкой, 10 мм ключом, пока указатель угла скоса кромки не будет показывать ровно 22,5°.

Регулировка направляющей (рис. А)

Направляющие можно регулировать для того, чтобы обеспечить достаточный зазор при наклоне пилы под разными углами. Чтобы отрегулировать направляющие, ослабьте ручку регулировки **16** и выдвиньте направляющую. Выполните холостой проход при выключенной пиле и проверьте зазор. Отрегулируйте направляющую так, чтобы она располагалась как можно ближе к диску и обеспечивала максимальную поддержку обрабатываемой детали, не препятствуя перемещению головки вверх и вниз. Надежно затяните рукоятку регулировки направляющей линейки. По завершении распила с наклоном, не забудьте вернуть направляющую на место.

Для выполнения некоторых разрезов может понадобиться сместить направляющую линейку ближе к диску. Для этого поверните рукоятки регулировки направляющей на два оборота и переместите направляющие ближе к пильному диску, чем это обычно требуется, затем затяните рукоятки регулировки направляющей, чтобы зафиксировать их. Сперва выполните пробный прогон, чтобы убедиться, что диски не соприкасаются с направляющими.

ПРИМЕЧАНИЕ. Со временем направляющие могут засориться опилками или пылью.

Если направляющие засорились, воспользуйтесь щеткой или воздухом низкого давления, чтобы их очистить.

Приведение в действие защитного кожуха и обзор (рис. А, Z)

ВНИМАНИЕ! Опасность защемления. Для снижения риска получения травмы, держите большой палец под рукояткой при вытягивании рукоятки вниз. Нижний защитный кожух сдвинется вверх по мере вытягивания рукоятки вниз, что может привести к защемлению.

Нижнее ограждение **6** пилы автоматически поднимается при опускании рамы, и опускается при его поднятии.

Защитный кожух можно поднять вручную при установке или снятии дисков или при проверке пилы. НИКОГДА НЕ ПОДНИМАЙТЕ НИЖНЕЕ ОГРАЖДЕНИЕ ВРУЧНУЮ, ПРЕДВАРИТЕЛЬНО НЕ ВЫКЛЮЧИВ ПИЛУ.

ПРИМЕЧАНИЕ. Некоторые специальные разрезы потребуют ручного поднятия защитного кожуха. См. подраздел «Распил длинных заготовок» в разделе «Специальные резы».

Передняя часть ограждения выполнена в виде жалюзи для обеспечения видимости во время чистки. Несмотря на то, что жалюзи задерживают значительную часть щепок, в них имеются отверстия, и поэтому следует постоянно одевать защитные очки при рассмотривании механизма через жалюзи.

Регулировка направляющих штанг (рис. А, F)

Периодически проверяйте направляющие штанги **24** на люфт или зазор. Правая направляющая регулируется с помощью винта регулировки направляющих **33**, как показано на рис. F. Чтобы уменьшить зазор, медленно поверните по часовой стрелке винт регулировки направляющих 4 мм шестигранным ключом, перемещая головку пилы вперед-назад. Сохраняя минимальное усилие при скольжении пильной головки, уменьшите зазор.

Регулировка блокировки угла скоса (рис. А, K)

Если столик пилы перемещается, когда ручка регулировки угла скоса **7** зафиксирована (в нижнем положении), необходимо отрегулировать стержень регулировки угла скоса **48**. Чтобы отрегулировать фиксатор скоса **49**, установите ручку регулировки угла скоса в разблокированное (верхнее) положение. С помощью шлицевой отвертки отрегулируйте стопорный стержень с шагом 1/8 оборота по часовой стрелке, чтобы увеличить усилие блокировки. Чтобы убедиться, что фиксатор скоса работает правильно, повторно зафиксируйте ручку регулировки угла скоса, когда угол скоса ослаблен — например, 34° — и убедитесь, что стол не вращается.

Транспортировка пилы (рис. А)

ОСТОРОЖНО! Чтобы снизить риск получения серьезной травмы, выключите инструмент, извлеките аккумуляторный блок и установите рычаг блокировки в транспортное положение перед транспортировкой, выполнением любых регулировок, чисткой, ремонтом или снятием/установкой насадок или принадлежностей. Случайный запуск может привести к травме.

ОСТОРОЖНО! Чтобы снизить риск получения серьезных травм, перед транспортировкой пилы ВСЕГДА блокируйте ручку фиксатора

направляющих штанг **30**, рычага регулировки угла скоса **7**, ручку защелки фаски **13**, ручку фиксатора головки **19** и рукоятки направляющей **16**.

Для удобства переноски с места на место торцовочная пила оснащена ручкой для переноски **15** в верхней части инструмента и боковыми рукоятками **11** в основании.

Ручка фиксатора головки (рис. А)

⚠ ОСТОРОЖНО! Ручку фиксатора головки допускается использовать только при транспортировке или хранении пилы. ЗАПРЕЩАЕТСЯ использовать ручку фиксатора головки для какого-либо распила.

Чтобы зафиксировать головку пилы в нижнем положении, опустите головку вниз, поверните рукоятку фиксатора головки **19** на 90°, после чего подпружиненный штифт зафиксирует головку пилы и позволит ее отпустить. Это поможет зафиксировать головку и предотвратить ее смещение.

Чтобы высвободить ее, вытяните ручку фиксатора головки и поверните ее на 90°.

ОСОБЕННОСТИ И ЭЛЕМЕНТЫ УПРАВЛЕНИЯ

⚠ ОСТОРОЖНО! Чтобы снизить риск получения серьезной травмы, исключите инструмент, извлеките аккумуляторный блок и установите рычаг блокировки в транспортное положение перед транспортировкой, выполнением любых регулировок, чисткой, ремонтом или снятием/установкой насадок или принадлежностей. Случайный запуск может привести к травме.

Зажимная рукоятка установки угла наклона (рис. А)

Зажимная рукоятка **13** позволяет выставлять угол 49° слева и справа. Для регулирования угла фаски поверните ручку против часовой стрелки. При нажатии на кнопку переопределителя блокировки **28** 0° фаски рама пилы с легкостью поворачивается влево и вправо в положение 0°. Для затягивания поверните зажимную рукоятку фаски по часовой стрелке.

Переопределитель блокировки 0° фаски (рис. А)

Кнопка переопределителя блокировки фаски позволяет преодолеть угол 0° фаски, поворачивая вправо.

При нажатии пила автоматически остановится на углу 0° при перемещении слева. Для временного перемещения за 0° вправо потяните за ограничитель скоса 0° **28**, поверните на 90° (по часовой или против часовой стрелки) и отпустите, чтобы подпружиненный штифт зафиксировался.

Чтобы вернуть упор фаски в положение 0°, потяните ручку блокировки угла наклона, поверните на 90° (по или против часовой стрелки) и отпустите, чтобы подпружиненный штифт зафиксировался.

Переопределитель блокировки 45° фаски (рис. J)

С каждой стороны пилы имеется по рычагу переопределителя блокировки **50**. Для наклона пилы влево или вправо, для преодоления угла 45°, нажмите на рычаг преодоления блокировки угла 45° назад. Когда он находится в заднем положении, пилу можно наклонить за пределы данных ограничений. Для использования ограничений 45° переведите рычаг ограничения 45° вперед.

Защелки косых распилов карнизов (рис. J)

Пила оборудована упорами для резки карнизов, уложенных плашмя, как слева так и справа (см. раздел «Инструкции по резке карнизов, уложенных плашмя, а также особенности комбинированных распилов»). Защелку для косой резки фаски карнизов **51** можно повернуть таким образом, чтобы она соприкоснулась с винтом регулировки угла распила карниза **46**. На заводе пила была настроена на пиление типичных в Северной Америке карнизов (52/38), однако ее можно изменить для пиления других карнизов (45/45). Чтобы вернуть угол обратно, выверните удерживающий винт, защелку косой резки фаски карнизов 22,5° и защелку косой резки фаски карнизов 30°. Переверните защелку для косой резки фаски карнизов таким образом, чтобы значение 33,9° находилось вверху. Установите винт, чтобы закрепить защелку для косых распилов 22,5° и защелку для косых распилов карнизов. Это не повлияет на точность.

Защелки косых распилов 22,5° (рис. J)

Оборудование настоящей пилы позволяет быстро и точно устанавливать угол косо распила 22,5° как слева, так и справа. Защелку для косой резки фаски 22,5° **47** можно повернуть таким образом, чтобы она соприкоснулась с винтом регулировки угла распила карниза.

Зажимная рукоятка фиксатора направляющих штанг (рис. А)

Данная зажимная рукоятка **30** обеспечивает надежную фиксацию пильной головки, предотвращающую ее скольжение по направляющим штангам. Это необходимо при выполнении определенного типа разрезов или при транспортировке пилы.

Ограничитель глубины (рис. А)

Ограничитель глубины **25** позволяет регулировать глубину пиления диском. Данный упор будет полезен при выпиливании канавок, а также для выполнения высоких вертикальных распилов. Поверните ограничитель глубины вперед и с помощью винта **29** установите требуемую глубину распила. Чтобы закрепить регулировку, затяните барашковую гайку **22**. Поворачивание ограничителя глубины в сторону задней части пилы приведет к игнорированию его настроек. Если винт регулировки глубины затянут слишком сильно, его можно ослабить ключом.

Рычаг фиксации направляющей для транспортировки (рис. L1–L3)

Положение рычага фиксации направляющей (рис. L1)

Рычаг фиксации направляющей для транспортировки **61** в переднем положении фиксирует пилу для пиления по вертикали.

Положение для транспортировки (рис. L2)

Рычаг фиксации направляющей для транспортировки **61** в заднем положении фиксирует пилу в положении для транспортировки и фиксирует пильную головку на время транспортировки и хранения. Рекомендуется для перемещения или переноски пилы.

Сложенное положение (рис. L3)

Когда пила не используется, рычаг фиксации направляющей для транспортировки **61** можно перевести в сложенное положение. Рычаг фиксации направляющей фиксируется с помощью выемки на задней части рычага, которая скользит вверх по рампе и попадет в литой карман **65**. Чтобы разблокировать рычаг, слегка потяните его, пока он не выйдет из литого кармана, и поверните по часовой стрелке.

Автоматический электрический тормоз

Данная пила оборудована автоматическим электрическим тормозом, обеспечивающим остановку диска в течение 5 секунд после выключения пилы. Это не подлежит регулировке.

Иногда возможна задержка между отпуском выключателя и срабатыванием тормоза. В редких случаях возможно, что тормоз вовсе не сработает, а диск остановится после выбега.

При наличии задержки или отсутствия срабатывания, включите и выключите пилу 4 или 5 раз. Если подобные нарушения происходят регулярно, отнесите инструмент в авторизованный сервисный центр DeWALT для проведения ремонта.

Всегда дожидайтесь полной остановки диска перед его извлечением из пластины для пропила. Тормоз не заменяет собой ограждения или необходимость обеспечивать собственную безопасность, сохраняя бдительность рядом с пилой.

Беспроводное управление инструментом (рис. А)

⚠ ВНИМАНИЕ! Прочтите все правила техники безопасности, инструкции и спецификации устройства, сопряженного с инструментом.

Ваш инструмент оборудован передатчиком беспроводного управления, с помощью которого он может быть сопряжен с другим устройством беспроводного управления — например, пылесосом.

Для сопряжения инструмента посредством беспроводного управления, нажмите и удерживайте пусковую выключатель **11** на инструменте и кнопку сопряжения беспроводного управления на другом устройстве. Светодиодный индикатор на другом устройстве загорится, когда ваш инструмент будет успешно сопряжен.

Подготовка к эксплуатации

- Установите удлинения основания с обеих сторон основания пилы. См. раздел «Сборка удлинений основания».
- Проверьте защитный кожух ремня на предмет повреждений, а ниже ограждение — на предмет надлежащего функционирования.
- Всегда используйте пластину для пропила. Не используйте станок, если щель в пластине для пропила превышает 12 мм.
- Используйте пильный диск соответствующего типа. Не используйте изношенные полотна. Максимальная скорость вращения инструмента не должна превышать допустимую скорость вращения пильного диска.
- Убедитесь в том, что все фиксаторы и зажимы надежно закреплены.
- Используйте индивидуальные средства защиты и подключайте пилу к внешнему пылеуловителю.
- Несмотря на то, что данная пила может использоваться для распиловки древесины и большинства цветных металлов, в этой инструкции по эксплуатации рассматривается распиловка только древесины. Эти же правила распространяются на другие материалы. Не используйте эту пилу для резки черных металлов (чугун и сталь), волокнистого цемента или камня!
- Не пытайтесь распиливать очень мелкие детали.
- Надежно крепите заготовку.
- Не пытайтесь ускорить работу пильного диска. Не прилагайте чрезмерных усилий.
- Перед началом резки дождитесь, пока двигатель наберет полные обороты.

ЭКСПЛУАТАЦИЯ

Инструкции по эксплуатации

⚠ ОСТОРОЖНО! Всегда следуйте указаниям действующих норм и правил безопасности.

⚠ ОСТОРОЖНО! Чтобы снизить риск получения серьезной травмы, необходимо выключить инструмент и отсоединить батарею, прежде чем выполнять какую-либо регулировку или удалять/устанавливать какие-либо насадки или дополнительные принадлежности. Случайный запуск может привести к травме.

Установка и извлечение аккумуляторных батарей (рис. А)

⚠ ОСТОРОЖНО! Перед установкой аккумуляторной батареи убедитесь, что пусковой выключатель находится в положении ВЫКЛ.

ПРИМЕЧАНИЕ. Для получения наилучших результатов перед использованием убедитесь, что аккумуляторная батарея полностью заряжена.

Для установки аккумуляторной батареи **3** в рукоятку инструмента, совместите аккумуляторную батарею с направляющими внутри рукоятки инструмента и вставляйте внутрь до тех пор, пока аккумуляторная батарея не будет надежно удерживаться в инструменте, после чего убедитесь, что она не выпадает.

Чтобы извлечь аккумуляторную батарею из инструмента, нажмите и отпустите отпирающую кнопку батареи **4**, затем потяните и извлеките батарею из рукоятки инструмента. Вставьте ее в зарядное устройство, как указано в разделе данного руководства, посвященном зарядному устройству.

Положение тела и рук (рис. М)



ОСТОРОЖНО! Во избежание риска получения серьезных травм, **ВСЕГДА** располагайте руки правильно, как показано на рисунке.



ОСТОРОЖНО! Во избежание серьезных травм **ВСЕГДА** крепко держите инструмент, предупреждая внезапную резку отдачу.

Правильное положение вашего тела и рук при работе с торцовочной пилой позволит распиливать детали легче, аккуратнее и безопаснее. Никогда не держите руки возле зоны распила. Не подносите руки к диску ближе, чем на 100 мм. Прижимайте заготовку к столу и направляющей во время распиловки. Держите руки в этом положении до тех пор, пока не отпустите выключатель и диск полностью не остановится. **ВСЕГДА** ВЫПОЛНЯЙТЕ ПРОБНЫЕ ПРОГОНЫ (БЕЗ НАГРУЗКИ) ДО ТОГО, КАК ВЫПОЛНИТЬ РАСПИЛ, ЧТОБЫ ПРОВЕРИТЬ ХОД ПИЛЬНОГО ДИСКА. ЗАПРЕЩАЕТСЯ ПЕРЕКРЕЩИВАТЬ РУКИ, КАК ПОКАЗАНО НА РИСУНКЕ М.

Твердо упирайтесь обеими ногами в пол и сохраняйте равновесие. По мере перемещения рамы угла скоса вправо или влево, следуйте за ней, держа в стороне от пильного диска. Следуя за линией, проведенной карандашом, смотрите через прорези ограждения.

Пусковой выключатель (рис. N)

Чтобы включить пилу, передвиньте рычаг блокировки пускового выключателя **41** влево и нажмите на пусковой выключатель **1**. Пила будет работать, пока нажат выключатель. Перед тем, как начать распил, дождитесь, пока пильный диск не разгонится до максимальной скорости. Чтобы выключить пилу, отпустите выключатель. Позвольте диску остановиться перед тем, как поднять головку пилы. Зафиксировать выключатель во включенном положении невозможно. В выключателе имеется отверстие **52**, позволяющее с помощью навесного замка блокировать выключатель в выключенном положении.

Всегда дожидайтесь полной остановки диска перед его извлечением из пластины для пропила.

Пылеудаление (рис. O)



ОСТОРОЖНО! Чтобы снизить риск получения серьезной травмы, выключите инструмент, извлеките аккумуляторный блок и установите рычаг блокировки в транспортное положение перед транспортировкой, выполнением любых регулировок, чисткой, ремонтом или снятием/установкой насадок или принадлежностей. Случайный запуск может привести к травме.



ВНИМАНИЕ! Никогда не работайте данной пилой без установленного пылесборника или подсоединенного устройства пылеудаления DEWALT. Древесная пыль может привести к опасности для органов дыхания.

Пыль от материалов, например, с покрытиями, содержащих свинец, и некоторых видов древесины, может нанести вред здоровью. Пыль может вызвать аллергическую реакцию и/или вызвать респираторные заболевания пользователя или посторонних людей. Некоторые виды древесной пыли, например, дуба или бука, являются канцерогенными, особенно в сочетании с добавками для пропитки древесины.

Соблюдайте законодательство страны при выборе рабочих материалов. Пылесос должен подходить для материалов, с которыми выполняется работа.

Сбор сухой пыли может быть особенно вредным для здоровья и иметь канцерогенное действие, необходимо использовать пылесос класса M.

Пила оборудована встроенным отверстием для сбора пыли **17**, к которому можно подсоединить входящий в комплект поставки пылесборник, совместимый с Airlock™.

Установка мешка для сбора пыли (рис. P)

1. Установите мешок для сбора пыли **53** на отверстие пылеотвода **17**, как показано на рисунке P.

Опорожнение мешка для сбора пыли (рис. P)

1. Снимите мешок для сбора пыли **53** с пилы и аккуратно встряхните или постучите по нему, чтобы опорожнить его.
2. Снова установите мешок для сбора пыли на отверстие выхода для удаления пыли **17**.

Вы можете заметить, что из пылесборника при опорожнении выходит не вся пыль. Это не повлияет на эффективность резки, но значительно снизит эффективность сбора пыли пилой. Чтобы восстановить эффективность сбора пыли, нажмите на пружину внутри пылесборника при опорожнении и постучите им об мусорный контейнер или контейнер для сбора пыли.

Сквозная распиловка (рис. A)

Если во время распила скольжение рамы не используется, убедитесь, что рама пилы смещена в крайнее заднее положение, а ручка фиксатора направляющих штанг зафиксирована. Это предотвратит смещение пилы вдоль направляющих при соприкосновении пильного диска с заготовкой.

ПРИМЕЧАНИЕ. Несмотря на то, что данную пилу может применять для распиловки древесины и большинства цветных металлов, в этой инструкции по эксплуатации рассматривается распиловка только древесины. Эти же правила распространяются на другие материалы. НЕ ИСПОЛЬЗУЙТЕ ЭТУ ПИЛУ ДЛЯ РЕЗКИ ЧЕРНЫХ МЕТАЛЛОВ (ЖЕЛЕЗА И СТАЛИ) ИЛИ КАМЕННОЙ КЛАДКИ. Не используйте абразивные диски.

ПРИМЕЧАНИЕ. Важную информацию относительно нижнего защитного кожуха см. в подразделе «Приведение в действие защитного кожуха и обзор» в разделе «Сборка и регулировка».

Поперечные распилы (рис. A, Q)

Поперечный распил дерева выполняется поперек волокон под любым углом. Прямой поперечный распил выполняется при установке пильной головки в нулевое положение. Установите консоль в нулевое положение, прижмите деревянную заготовку вплотную к распиловочному столу и направляющей. Затяните фиксатор рельсовой направляющей, затем включите пилу, нажав на пусковой выключатель **1**, как показано на рис. A.

Когда пила наберет максимальную скорость (примерно за 1 секунду), мягко опустите пильную головку на деревянную заготовку и начните распил. Прежде, чем поднять пильную головку, всегда следите за тем, чтобы диск полностью остановился.

При распиле любого объекта, длина которого превышает 51 x 203 мм (51 x 152 мм при распиле под углом 45°), применяйте поступательное движение, разблокировав ручку фиксатора направляющих штанг. Потяните пилу на себя, опустите головку пилы на заготовку и медленно толкайте пилу обратно от себя, чтобы завершить распил. Следите за тем, чтобы пила не соприкоснулась с верхней частью заготовки при вытягивании на себя. Пила может резко отскочить в вашу сторону, что создаст риск получения травмы и повреждения заготовки.

Одновременное разрезание нескольких заготовок не рекомендуется, однако допустимо при условии, что каждая заготовка надежно удерживается столом и направляющей.

ПРИМЕЧАНИЕ. Чтобы обеспечить большую производительность при пилении поперек волокон с уменьшенным ходом, лезвие DCS781 выдвигается глубже в стол. В результате во время резки на заготовку может действовать большая подъемная сила.



ВНИМАНИЕ! Всегда используйте рабочие зажимы, чтобы контролировать работу и избежать повреждения детали и травмирования, если во время работы руки должны находиться на расстоянии менее 100 мм от пильного диска.

ПРИМЕЧАНИЕ. Чтобы пильная головка свободно скользила по направляющим штангам **24**, как показано на рис. A, зажимная ручка фиксатора направляющих штанг **30** должна быть ослаблена.

Поперечный распил со скосом выполняется при установке рамы скоса под любым углом, кроме нулевой отметки. Для выпиливания углов чаще всего используется угол 45°, но пильную головку можно устанавливать с нуля до 50° влево или до 60° вправо. Выполните рез согласно приведенной выше инструкции.

При распиле со скосом не очень длинных заготовок, ширина которых превышает 51 x 152 мм, всегда прижимайте заготовку к направляющей **12** более длинной стороной (рис. Q).

Для реза по карандашной отметке на деревянной заготовке установите угол как можно ближе. Обрежьте заготовку немного длиннее нужного и измерьте расстояние от карандашной линии до отрезного края, чтобы определить, в каком направлении стоит отрегулировать угол скоса и повторить рез. Этот метод требует некоторой практики, но является широко распространенным.

Косые срезы

Пиление с наклоном — это поперечный рез, выполненный пильным диском под наклоном к заготовке. Чтобы установить угол наклона, ослабьте зажимную установку угла наклона **13** и сдвиньте пилу влево, насколько нужно. (Необходимо сместить направляющую, чтобы образовался зазор.) Как только нужный угол наклона будет достигнут, крепко затяните зажимную рукоятку установки угла наклона. Дополнительную информацию о системе распила под углом (кромки/фаски) см. в разделе «Элементы управления».

Угол наклона может устанавливаться от 49° вправо до 49° влево; работа может выполняться при установке рукоятки установки угла скоса в положение под углом от 50° влево до 60° вправо. Для некоторых нестандартных углов, превышающих предусмотренные, левое или правое ограждение можно снять. Чтобы снять левую или правую направляющие линейки, отвинтите рукоятку регулировки направляющей линейки **16** на несколько оборотов и, сдвигая линейку, снимите ее.

ПРИМЕЧАНИЕ. Для получения важной информации о расположении направляющей линейки для выполнения определенных распилов под углом см. подраздел «Регулировка направляющей» в разделе «Сборка и регулировка».

Качество реза

Чистота любого реза зависит от ряда параметров. На качество распила влияют такие факторы, как обрабатываемый материал, тип пильного диска, степень заточки диска и скорость резания.

Когда необходимо получить более чистый срез для особо точной работы, необходимо использовать острый режущий диск (с 60 твердосплавными зубьями) и применять более медленную подачу при резании.

Убедитесь в том, что материал не смещается во время резки; надежно закрепите деталь на месте. Прежде чем поднять раму, всегда следите за тем, чтобы диск полностью остановился.

Если на задней части разрезаемой заготовки остаются торчать маленькие волокна древесины, наклейте на заготовку клейкую ленту. Режьте в месте с лентой и тщательно удалите ленту, когда распил завершен.

При выполнении распилов различного типа ознакомьтесь со списком пильных дисков, рекомендованных к использованию с вашей пилой, и выберите диск, наиболее подходящий для конкретной операции. См. подраздел «Пильные диски» в разделе «Дополнительные принадлежности».

Несквозное пиление (выпиливание пазов и канавок)

Инструкции в разделах **поперечного распила**, **резов с наклоном** и **комбинированного угла скоса** предоставлены для разрезов по всей толщине материала. Пила также может выполнять несквозныерезы для формирования в материале пазов или канавок.

Вырезание канавок (рис. А)

Подробные инструкции по установке глубины пиления см. в разделе **«Ограничитель глубины»**. Для проверки глубины пиления следует использовать ненужный кусок древесины.

Положите заготовку на поверхность стола и крепко прижмите к направляющей **12**. Выровняйте разрезаемый участок под диском. Переведите рычаг пилы полностью вперед, опустив диск. Включите пилу, нажав на пусковой выключатель **1** на рис. А. Плавно отводите рычаг пилы назад, чтобы вырезать канавку в заготовке.

Отпустите пусковой выключатель при опущенном вниз рычаге пилы. Когда пильный диск полностью остановится, поднимите рычаг пилы вверх. Прежде, чем поднимать пильную головку, всегда проверяйте, чтобы диск полностью остановился.

Чтобы расширить канавку, повторяйте этапы 1–4 до достижения нужной ширины.

Зажим заготовки (рис. А)

ОСТОРОЖНО! В целях снижения риска получения серьезных травм, выключите инструмент и отсоедините его от источника питания перед тем, как его передвигать, менять дополнительные принадлежности или выполнять какую-либо регулировку.

ОСТОРОЖНО! Закрепленная и выравненная деталь после распила может потерять устойчивость. А нагрузка, приложенная к неустойчивой детали может перевернуть пилу или то на что она установлена, например, стол или верстак. Если есть вероятность того, что деталь в ходе распила может потерять устойчивость, хорошо закрепите деталь и убедитесь в том, что пила хорошо закреплена болтами на устойчивой поверхности. Опасность травм.

ОСТОРОЖНО! Каждый раз при использовании зажимов ножка зажима всегда должна упираться в основание пилы. Всегда закрепляйте заготовку только на основании пилы, и больше ни на каком другом месте рабочей зоны. Убедитесь, что ножка зажима не упирается в край основания пилы.

ВНИМАНИЕ! Всегда пользуйтесь зажимами для контроля заготовки и снижения риска травмы и повреждения заготовки.

Если прижать заготовку к столу и направляющей рукой (неправильная форма заготовки и пр.) невозможно, или при удержании заготовки ваши руки оказываются ближе 100 мм от пильного диска, необходимо использовать струцины или другие зажимные устройства. Наилучшие результаты достигаются при использовании зажимов **23**, поставленных в комплекте с пилой. Дополнительные зажимы можно приобрести у вашего продавца или в авторизованном сервисном центре DEWALT.

В зависимости от размера и формы заготовки можно также использовать вспомогательные средства, такие как пружинные зажимы, прижимные планки или зажимные скобы. Подходите к выбору и установке зажимов со всей ответственностью. Выполните холостой прогон перед началом резки. Левую направляющую можно сдвигать из стороны в сторону для удобства крепления.

Установка зажима (рис. А)

1. Вставьте зажим в отверстие за направляющей **12**.
2. Чтобы отрегулировать угол фаски, поверните ручку против часовой стрелки. Зажмите пилу, повернув ручку по часовой стрелке. Убедитесь, что заготовка плотно зажата.

ПРИМЕЧАНИЕ. При выполнении резов с наклоном устанавливайте зажим на противоположной стороне основания пилы. ВСЕГДА ВЫПОЛНЯЙТЕ ПРОБНЫЕ ПРОГОНЫ (БЕЗ НАГРУЗКИ) ДО ТОГО, КАК ВЫПОЛНИТЬ РАЗРЕЗ, ЧТОБЫ ПРОВЕРИТЬ ХОД ПИЛЬНОГО ДИСКА. УБЕДИТЕСЬ В ТОМ, ЧТО ЗАЖИМ НЕ МЕШАЕТ РАБОТЕ ПИЛЫ ИЛИ ЗАЩИТНОГО КОЖУХА.

Опора для длинных заготовок

ОСТОРОЖНО! В целях снижения риска получения серьезных травм, выключите инструмент и отсоедините его от источника питания перед тем, как его передвигать, менять дополнительные принадлежности или выполнять какую-либо регулировку.

ВСЕГДА ИСПОЛЬЗУЙТЕ ОПОРУ ДЛЯ ДЛИННЫХ ЗАГОТОВОК.

Не привлекайте других лиц, чтобы заменить удлинение стола; в качестве дополнительной опоры для заготовки длиннее или шире обычного стола торцовочной пилы или для помощи при подаче, поддержке или протягивании заготовки.

Для поддержки длинных заготовок используйте любые удобные приспособления, такие как пильные козлы или подобные устройства, препятствующие выступу длинных концов.

Выпиливание рам для картин, закрытых полок или других четырехсторонних предметов (рис. R)

Чтобы понимать, как изготовить приведенные здесь предметы, рекомендуется сначала освоиться с пилой и попрактиковаться, выполнив несколько работ на отходах из древесины.

Ваша пила идеально подходит для выполнения угловых соединений наподобие тех, которые изображены на рисунке R. На изображении 1 на рис. R показано соединение, изготовленное путем установки рукоятки угла наклона на 45° для пиления с наклоном двух панелей с целью формирования угла 90°. Для выполнения данного типа соединения консоль блокируется в положении 0°, а угол наклона в положении 45°. Деревянная заготовка располагается широкой стороной на плоскости стола и узкой стороной

вплотную к направляющей. Тот же самый разрез может быть выполнен путем скашивания вправо и влево при заготовке, прижатой широкой стороной вплотную к направляющей.

Пиление профилей плинтусов и прочих рам (рис. R)

Изображение 2 на рис. R показывает соединение, изготовленное путем установки рамы угла скоса на 45° для пиления со скосом двух панелей с целью формирования угла 90°. Для выполнения данного соединения установите угол наклона на ноль, а консоль на 45°. Расположите деревянную заготовку широкой стороной на плоскости стола и узкой стороной вплотную к направляющей.

Две приведенные на рисунке R схемы применимы только для четырехсторонних предметов.

При изменении числа сторон, угол скоса и угол наклона также изменяется. В приведенной ниже таблице указаны правильные углы для разнообразных конфигураций изделий.

– ПРИМЕРЫ –

КОЛИЧЕСТВО СТОРОН	УГОЛ СКОСА ИЛИ ФАСКИ
4	45°
5	36°
6	30°
7	25,7°
8	22,5°
9	20°
10	18°

Данные таблицы даны для изделий, все стороны которых имеют одинаковую длину. Чтобы получить форму соединения, которая не приведена в таблице, используйте следующую формулу: разделите 180° на количество сторон, чтобы получить угол скоса (если материал установлен вертикально) или угол наклона (если установлен горизонтально).

Комбинированные распилы под косым углом (рис. S)

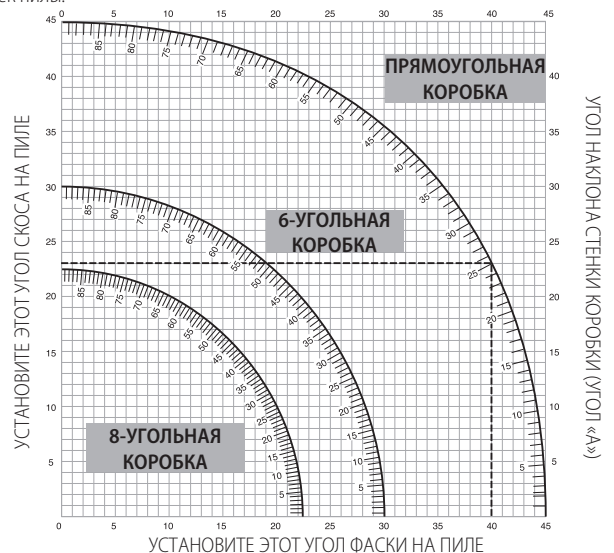
Сложная резка под косым углом выполняется одновременно с использованием резки под косым углом и резки фаски. Этот вид резки используется для изготовления рам или коробок с наклонными сторонами наподобие той, что изображена на рис. T.

ОСТОРОЖНО! Если угол пиления постоянно изменяется, следите, чтобы зажимные рукоятки установки угла наклона и скоса были надежно затянуты. Их необходимо фиксировать после выполнения любых изменений угла наклона или скоса.

Приведенная ниже диаграмма поможет вам при выборе правильных настроек угла резки фаски и под углом для выполнения стандартного комбинированного распила под косым углом.

- Выберите нужный угол «А» (рис. S) своего проекта и установите этот угол в соответствующую дугу в таблице.
- Из этой точки опустите вниз перпендикулярную линию для определения правильного угла фаски и горизонтальную линию для определения правильного угла скоса.
- Установите на пиле указанные углы и выполните несколько пробных разрезов. Попробуйте совместить отрезанные компоненты.

Пример: Для изготовления 4-стороннего ящика с углами по 26° (угол А, рис. S) пользуйтесь верхней правой дугой. Найдите метку 26° на кривой диаграммы. Проведите горизонтальную линию до любой из сторон для определения угла скоса, который следует установить на пиле (42°). Таким же образом проведите вертикальную линию до нижнего или верхнего края для определения угла наклона, который следует установить на пиле (18°). Всегда выполняйте пробные разрезы на нескольких обрезках дерева для проверки настроек пилы.



Пиление плитусов (рис. Т)

Обязательно выполняйте холостой прогон без включения питания, прежде чем выполнять какие-либо разрезы.

Прямые резы под углом 90°

Расположите заготовку напротив направляющей и удерживайте ее, как показано на рисунке Т. Включите пилу, дождитесь, пока диск разгонится до максимальной скорости и медленно опустите раму, выполняя распил.

Пиление профилей плитусов высотой до 165 мм вертикально к направляющей (рис. L, T)

ПРИМЕЧАНИЕ. Для выполнения вертикального распила профиля плитуса от 76 мм до 165 мм, приложив его к направляющей линейке, используйте рычаг фиксации направляющей, как показано на рисунке L1.

Расположите материал, как показано на рисунке T.

При распиле плитус должен располагаться задней стороной вплотную к направляющей и нижним краем на распиловочном столе.

	Внутренний угол	Внешний угол
Левая сторона	1. Скос влево 45° 2. Сохраняйте левую сторону распила	1. Скос вправо 45° 2. Сохраняйте левую сторону распила
Правая сторона	1. Скос вправо 45° 2. Сохраняйте правую сторону распила	1. Скос влево 45° 2. Сохраняйте правую сторону распила

Для заготовки, размер которой не превышает 165 мм, распил осуществляется так, как описано выше.

Пиление потолочных плитусов

Ваша торцовочная пила идеально подходит для пиления потолочных плитусов. Для получения правильного соединения всех частей пиление потолочных плитусов комбинированным методом требует соблюдения повышенной точности.

Две плоские поверхности данного отрезка потолочного плитуса должны иметь углы среза, чтобы при их соединении получился угол точно 90°. У большинства, но не у всех, потолочных плитусов верхняя задняя секция (прилегающая к потолку) имеет угол 52°, а нижняя задняя секция (прилегающая к стене) имеет угол 38°.

Данная торцовочная пила оборудована заранее выставленными точками распила под углом (горизонтально) 31,6° слева и справа для пиления карнизов под правильным углом, а также упорными защелками под вертикальным углом 33,9° слева и справа. Также на градуированной шкале угла наклона имеется отметка 33,9°.

Приведенная ниже таблица содержит правильные установки для пиления карнизов. (Для установки угла скоса и угла наклона даны точные значения, которые сложно выставить на пиле.) Так как в большинстве помещений идеальные углы в 90° отсутствуют, вам все равно придется тщательно регулировать ваши настройки.

ОЧЕНЬ ВАЖНО ПРОИЗВЕСТИ ПРОБНЫЕ РЕЗЫ НА ОБРЕЗКАХ МАТЕРИАЛА!

Инструкции пиления карнизов, расположенных горизонтально, а также особенности комбинированных распилов (рис. A, U)

1. Потолочный плитус должен горизонтально лежать широкой задней поверхностью на распиловочном столе **18**.
2. Верхняя сторона плитуса прижата к направляющей **12**.
3. Ниже приведены настройки для стандартных (США) потолочных плитусов с верхним углом 52° и нижним углом 38°.

	Внутренний угол	Внешний угол
Левая сторона	1. Скос влево 33,9° 2. Угол скоса установлен вправо на 31,62° 3. Сохраняйте левый конец распила	1. Скос вправо 33,9° 2. Угол скоса установлен влево на 31,62° 3. Сохраняйте левый конец распила
Правая сторона	1. Скос вправо 33,9° 2. Угол скоса установлен влево на 31,62° 3. Сохраняйте правый конец распила	1. Скос влево 33,9° 2. Угол скоса установлен вправо на 31,62° 3. Сохраняйте правый конец распила

При установке углов наклона и скоса для комбинированных распилов, учитывайте следующее.

Углы потолочных плитусов требуют повышенной точности, соблюсти которую при настройке чрезвычайно сложно. Поскольку лишь небольшое количество помещений имеют углы между стеной и потолком точно 90°, настройки каждый раз могут слегка изменяться, поэтому всегда проверяйте правильность настроек на обрезках материала.

ОЧЕНЬ ВАЖНО ПРОИЗВЕСТИ ПРОБНЫЕ РЕЗЫ НА ОБРЕЗКАХ МАТЕРИАЛА!

Альтернативный способ пиления карнизов (рис. V)

Расположите плитус на столе под углом между направляющей **12** и распиловочным столом **18**, как показано на рис. V. Настоятельно рекомендуется использовать ограничительное приспособление (DW7084) из-за его точности и удобства. Специальную направляющую для плитусов можно приобрести у вашего продавца.

Преимуществом данного метода при пилении потолочных плитусов является отсутствие необходимости в пиении с наклоном. Небольшие изменения угла скоса могут выполняться без воздействия на угол наклона. Таким образом, если необходимо использование углов, которые не соответствуют 90°, пилу можно легко и быстро настроить для такого применения. Используйте специальную направляющую для плитусов для сохранения угла, под которым плитус будет устанавливаться на стену.

Инструкции по пиению потолочных плитусов, расположенных под углом между направляющей и основанием пилы, с применением всех видов резов

1. Расположите карниз таким образом, чтобы его нижняя часть (которая впоследствии прижимается к стене) уперлась в направляющую линейку, а верхняя часть располагалась на основании пилы, как показано на рисунке V.
2. Находящиеся под углом плоские поверхности должны плотно и под прямым углом прилегать к направляющей и основанию пилы.

	Внутренний угол	Внешний угол
Левая сторона	1. Скос вправо 45° 2. Сохраняйте правую сторону распила	1. Скос влево 45° 2. Сохраняйте правую сторону распила
Правая сторона	1. Скос влево 45° 2. Сохраняйте левую сторону распила	1. Скос вправо 45° 2. Сохраняйте левую сторону распила

Специальные резы

НИКОГДА НЕ ПРОИЗВОДИТЕ ПИЛЕНИЕ, ЕСЛИ МАТЕРИАЛ НЕ ЗАКРЕПЛЕН НА СТОЛЕ И ВПЛОТНУЮ К НАПРАВЛЯЮЩЕЙ.

Резка алюминия (рис. A, W)

ОБЯЗАТЕЛЬНО ПОЛЬЗУЙТЕСЬ ПОДХОДЯЩИМ ДИСКОМ, СПЕЦИАЛЬНО ПРЕДНАЗНАЧЕННЫМ ДЛЯ РЕЗКИ АЛЮМИНИЯ. Их можно приобрести у вашего продавца DeWALT или в сервисном центре DeWALT. Некоторые заготовки, в силу их размера, формы или обработки поверхности, необходимо плотно прижимать с помощью зажимов, чтобы избежать смещения во время разреза. Расположите материал таким образом, чтобы пиление происходило в месте наиболее тонкого поперечного сечения, как показано на рисунке W. На рисунке W показан неправильный способ резки данных выступающих частей.

При пиении алюминиевых заготовок обязательно используйте смазочный воск. Перед тем как начать распил обязательно нанесите смазочный воск непосредственно на пильный диск **39**. Категорически запрещается наносить смазочный воск на движущийся пильный диск.

Смазочный воск, который можно приобрести в большинстве магазинов стройматериалов, обеспечит должную смазку и не даст обрезкам пристать к диску.

Обязательно закрепите заготовку должным образом.

Выбирайте правильный пильный диск согласно подразделу «Пильные диски» в разделе «Дополнительные принадлежности».

Изогнутый материал (рис. X, Y)

При пиении изогнутых материалов располагайте заготовки так, как показано на рисунке X, и ни при каких обстоятельствах не располагайте их так, как показано на рисунке Y. Неправильное расположение заготовки может привести к защемлению лезвия пильного диска до завершения реза.

Распил пластиковых труб и других круглых материалов

С помощью данной пилы можно с легкостью разрезать пластмассовые трубы. Процесс распиливания осуществляется так же, как и для древесины, а материал должен быть **ЗАФИКСИРОВАН ИЛИ ПЛОТНО ПРИЖАТ К ОГРАЖДЕНИЮ ВО ИЗБЕЖАНИЕ ЕГО КАТАНИЯ.** Это очень важно иметь в виду при выполнении разрезов под углом.

Распиловка длинных заготовок (рис. Z)

Иногда деревянная заготовка может быть слишком длинной для того, чтобы поместиться под нижним ограждением. В таком случае поместите большой палец правой руки на верхнюю сторону ограждения и поверните его вверх настолью, чтобы освободить заготовку, как показано на рисунке Z. По возможности избегайте таких ситуаций, но если это необходимо, пила будет работать правильно и сделает более глубокий пропил. **НИКОГДА НЕ ПРИВЯЗЫВАЙТЕ, НЕ ЗАКЛЕИВАЙТЕ ЛИПКОЙ ЛЕНТОЙ И НЕ УДЕРЖИВАЙТЕ КАКИМ-ЛИБО ДРУГИМ СПОСОБОМ ЗАЩИТНЫЙ КОЖУХ ОТКРЫТЫМ ВО ВРЕМЯ РАБОТЫ ПИЛЫ.**

ТЕХНИЧЕСКОЕ ОБСЛУЖИВАНИЕ

Электронинструмент DeWALT имеет длительный срок эксплуатации и требует минимальных затрат на техобслуживание. Продолжительность безотказной работы зависит от правильного ухода за прибором и его регулярной чистки.

⚠ ОСТОРОЖНО! Чтобы снизить риск получения серьезной травмы, необходимо выключить станок и отсоединить батарею, прежде чем выполнять регулировку либо удалять/устанавливать дополнительные приспособления или принадлежности. Случайный запуск может привести к травме.

⚠ ОСТОРОЖНО! Если пильный диск изношен, замените его.

ЗАПРЕЩАЕТСЯ использовать смазку и чистящие средства (в особенности аэрозольные) вблизи пластмассового ограждения. Поликарбонат, используемый в материале

защитного кожуха, может повредиться под воздействием некоторых химических веществ.

1. Все подшипники являются герметичными. Они смазаны на весь срок эксплуатации и не требуют технического обслуживания.
2. Регулярно очищайте участки вокруг основания И ПОД НИМ и поворотным столом от пыли и опилок. Несмотря на наличие отверстий для вывода мусора, некоторое количество пыли все равно будет скапливаться внутри.



Смазка

Вашему инструменту не требуется дополнительная смазка.



Чистка

Перед использованием тщательно проверьте верхнее ограждение, подвижное нижнее ограждение диска, а также трубку пылеудаления, чтобы убедиться в том, что все работает нормально. Следите за тем, чтобы стружка, пыль или частицы обрабатываемых деталей не привели к блокировке любой функции.

Если частицы заготовки зажаты между диском и ограждением, отключите инструмент от источника питания и следуйте инструкциям, изложенным в разделе **«Замена и установка нового пыльного диска»**. Удалите застрявшие частицы и заново соберите пыльный диск.



ОСТОРОЖНО! Выдувайте грязь и пыль из корпуса сухим сжатым воздухом по мере видимого скопления грязи внутри и вокруг вентиляционных отверстий. Выполняйте данную процедуру, надев защитные очки и респиратор утвержденного типа.



ОСТОРОЖНО! Никогда не пользуйтесь растворителями или другими сильнодействующими химическими веществами для чистки неметаллических частей инструмента. Эти химикаты могут повредить структуру материала, используемого для производства таких деталей. Используйте ткань, смоченную в мягком мыльном растворе. Не допускайте попадания жидкости внутрь устройства; никогда не погружайте никакие из деталей устройства в жидкость.



ОСТОРОЖНО! Чтобы снизить риск получения травмы, регулярно очищайте верхнюю часть стола.



ОСТОРОЖНО! Чтобы снизить риск получения травмы, регулярно очищайте систему для сбора пыли.

Чистка рабочей подсветки

Для наилучшей работы подсветки регулярно выполняйте следующее обслуживание.

1. Аккуратно удаляйте опилки и мусор с линзы рабочей подсветки ватным тампоном.
2. НЕ ИСПОЛЬЗУЙТЕ какие-либо растворители, так как они могут повредить линзу.
3. Накопление пыли может забить подсветку и не дать ей точно указывать на линию пропила.
4. Для демонтажа и установки пыльного диска следуйте инструкциям для торцовочной пилы.
5. Удалите смолу и опилки со снятого с пилы диска. Накопление пыли и мусора может забить подсветку и не дать ей точно указывать на линию пропила.

Дополнительные принадлежности



ОСТОРОЖНО! В связи с тем, что дополнительные принадлежности других производителей, кроме DEWALT, не проходили проверку на совместимость с данным изделием, их использование может представлять опасность. Во избежание травм, с данным инструментом следует использовать только дополнительные принадлежности, рекомендованные DEWALT.

ПЫЛЬНЫЕ ДИСКИ Используйте 305 мм РЕЖУЩИЕ ДИСКИ С ОТВЕРСТИЕМ ПОД ОСЬ В 30 мм для -GB или 25,4 мм для -XE. СКОРОСТЬ ВРАЩЕНИЯ ДИСКА ДОЛЖНА БЫТЬ НЕ МЕНЕЕ 4800 об/мин. Никогда не используйте диск с меньшим диаметром. Он не будет защищен надлежащим образом. Используйте только пыльные диски для поперечной резки! Не используйте пыльные диски, что предназначены для продольной резки, комбинированные диски или диски с углом заточки зубьев более 7°.

ТИПЫ ПЫЛЬНЫХ ДИСКОВ

ПРИМЕНЕНИЕ	ДИАМЕТР	ЗУБЬЯ
Пыльные диски для строительных материалов (тонкий пропил с антиадгезионным ободом)		
Универсальное применение	305 мм	40
Точные поперечные распилы	305 мм	60
Пыльные диски по дереву (для выполнения гладких, чистых распилов)		
Точные поперечные распилы	305 мм	80
Цветные металлы	305 мм	96

По вопросу приобретения дополнительных принадлежностей обращайтесь к вашему продавцу.

Защита окружающей среды



Раздельная утилизация. Изделия и батареи, отмеченные данным символом, запрещается выбрасывать вместе с обычными бытовыми отходами.

Изделия и аккумуляторные батареи содержат материалы, которые могут быть извлечены или переработаны, снижая потребность в исходном сырье. Пожалуйста, утилизируйте электрические изделия и аккумуляторные батареи в соответствии с местными нормами. Дополнительная информация доступна по адресу www.2helpU.com.

Перезаряжаемая аккумуляторная батарея

Данную аккумуляторную батарею с длительным сроком эксплуатации необходимо перезаряжать, когда она перестает обеспечивать питание, необходимое для выполнения определенных работ. По окончании срока эксплуатации ее следует утилизировать, соблюдая при этом необходимые меры по защите окружающей среды.

- Полностью разрядите батарею и извлеките из инструмента.
- Литий-ионные батареи подлежат вторичной переработке. Сдайте их нашему дилеру или в местный центр вторичной переработки. В этих пунктах батареи будут подвергнуты повторной переработке или правильной утилизации.

**Возможные неисправности и способы их устранения
СЛЕДУЙТЕ ПРАВИЛАМ И ИНСТРУКЦИЯМ ТЕХНИКИ БЕЗОПАСНОСТИ**

ПРОБЛЕМА!	ПРИЗНАК НЕИСПРАВНОСТИ	ВАШИ ДЕЙСТВИЯ
Пила не включается.	Не установлена батарея.	Установка аккумуляторной батареи. См. раздел «Установка и извлечение аккумуляторной батареи» .
	Аккумуляторная батарея разряжена.	Зарядите аккумуляторную батарея. См. раздел «Зарядка аккумуляторной батареи» .
	Перегрев пилы.	Подождите несколько минут, пока пила остынет.
	Перегрев аккумуляторной батареи.	Подождите несколько минут, пока батареи остынут.
Неудовлетворительное качество резки.	Затупился диск.	Замените диск. См. раздел «Замена и установка нового пильного диска» .
	Диск установлен задом наперед.	Переверните диск. См. раздел «Замена и установка нового пильного диска» .
	Камедь или смола на диске.	Снимите диск и прочистите грубой стальной мочалкой и скипидаром или чистящим средством для духовых шкафов.
	Неправильный диск для типа выполняемых работ.	Смените тип диска. См. подраздел «Пильные диски» в разделе «Дополнительные принадлежности» .
Мигает подсветка CUTLINE.	Аккумуляторная батарея разряжена.	Зарядите аккумуляторную батарея. См. раздел «Зарядка аккумуляторной батареи» .
Чрезмерная вибрация машины.	Пила недостаточно крепко смонтирована на столе или верстаке.	Затяните все фиксаторы. См. раздел «Крепление пилы на верстаке» .
	Стол или верстак стоят на неровной поверхности.	Установите на ровную поверхность. См. раздел «Ознакомление» .
	Износ пильного диска.	Замените диск. См. раздел «Замена и установка нового пильного диска» .
Неточные распилы со скосом.	Шкала скоса отрегулирована неправильно.	Проверьте и отрегулируйте. См. подраздел «Регулировка шкалы угла скоса» в разделе «Сборка и регулировка» .
	Диск не под прямым углом к направляющей.	Проверьте и отрегулируйте. См. подраздел «Регулировка шкалы угла скоса» в разделе «Сборка и регулировка» .
	Диск не под прямым углом к столу.	Проверьте и отрегулируйте направляющую. См. подраздел «Регулировка прямого угла по отношению к столу» в разделе «Сборка и регулировка» .
	Заготовка сдвигается.	Надежно зафиксируйте заготовку об направляющую линейку или приклейте наждачную бумагу с зернистостью 120 к направляющей линейке резиновым клеем.
	Пластина для пропила повреждена или изношена.	Обратитесь в авторизованный сервисный центр.
	Указатель скоса отрегулирован неправильно.	Проверьте и отрегулируйте. См. подраздел «Регулировка шкалы угла скоса» в разделе «Сборка и регулировка» .
Диск застревает в заготовке.	Распил заготовок изогнутой формы.	См. подраздел «Заготовки изогнутой формы» в разделе «Специальные разрезы» .



Приложение к руководству по эксплуатации электрооборудования для определения месяца производства по номеру текущей календарной недели года

Электрооборудование торговых марок "Dewalt", "Stanley", "Stanley FatMAX", "BLACK+DECKER".

Директивы 2014/30/EU ЕВРОПЕЙСКОГО ПАРЛАМЕНТА И СОВЕТА от 26 февраля 2014 г. "О гармонизации законодательств Государств-членов ЕС в области электромагнитной совместимости", 2006/42/ЕС ЕВРОПЕЙСКОГО ПАРЛАМЕНТА И СОВЕТА от 17 мая 2006 г. "О машинах и оборудовании"; 2014/35/EU ЕВРОПЕЙСКОГО ПАРЛАМЕНТА И СОВЕТА от 26 февраля 2014 г. "О гармонизации законодательств государств-членов в области размещения на рынке электрооборудования, предназначенного для использования в определенных пределах напряжения".
Серийный выпуск.

ТОВАР СЕРТИФИЦИРОВАН

Орган по сертификации "РОСТЕСТ- Москва", Адрес: 119049, г. Москва, улица Житная, д. 14, стр. 1; 117418, Москва, Нахимовский просп., 31 (фактический), Телефон: (499) 1292311, (495) 6682893, Факс: (495) 6682893, E-mail: office@rostest.ru
Изготовитель: Изготовитель: Блэк энд Деккер Холдингс ГмбХ, Германия, 65510, Идштгайн, ул. Блэк энд Деккер, 40, тел. +496126212790.

Уполномоченное изготовителем юр.лицо:

ООО "Стэнли Блэк энд Деккер", 117485, город Москва, улица Обручева, дом 30/1, строение 2
Телефон: + 7 (495) 258-3981, факс: + 7 (495) 258-3984, E-mail: inbox@dewalt.com
Сведения о импортере указаны в сопроводительной документации и/или на упаковке

Хранение.

Необходимо хранить в сухом месте, вдали от источников повышенных температур и воздействия солнечных лучей. При хранении необходимо избегать резкого перепада температур. Хранение без упаковки не допускается

Срок службы.

Срок службы изделия составляет 5 лет. Не рекомендуется к эксплуатации по истечении 5 лет хранения с даты изготовления без предварительной проверки.

Дата изготовления (код даты) указана на корпусе инструмента. Код даты, который также включает год изготовления, отштампован на поверхности корпуса изделия.

Пример:

2014 46 XX, где 2014 –год изготовления, 46-неделя изготовления. Определить месяц изготовления по указанной неделе изготовления можно согласно приведенной ниже таблице.

Транспортировка.

Категорически не допускается падение и любые механические воздействия на упаковку при транспортировке.

При разгрузке/погрузке не допускается использование любого вида техники, работающей по принципу зажима упаковки.

Перечень критических отказов, возможные ошибочные действия персонала.

Не допускается эксплуатация изделия:

- При появлении дыма из корпуса изделия
- При поврежденном и/или оголенном сетевом кабеле
- при повреждении корпуса изделия, защитного кожуха, рукоятки
- при попадании жидкости в корпус
- при возникновении сильной вибрации
- при возникновении сильного искрения внутри корпуса

Критерии предельных состояний.

- При поврежденном и/или оголенном сетевом кабеле
- при повреждении корпуса изделия

Месяц	Январь	Февраль	Март	Апрель	Май	Июнь	Июль	Август	Сентябрь	Октябрь	Ноябрь	Декабрь	Год производства
Неделя	1	5	9	14	18	23	27	31	36	40	44	49	2018
	2	6	10	15	19	24	28	32	37	41	45	50	
	3	7	11	16	20	25	29	33	38	42	46	51	
	4	8	12	17	21	26	30	34	39	43	47	52	
			13		22			35			48		
Неделя	1	6	10	14	18	23	27	31	36	40	45	49	2019
	2	7	11	15	19	24	28	32	37	41	46	50	
	3	8	12	16	20	25	29	33	38	42	47	51	
	4	9	13	17	21	26	30	34	39	43	48	52	
	5					22			35		44		
Неделя	1	6	10	14	19	23	27	32	36	40	45	49	2020
	2	7	11	15	20	24	28	33	37	41	46	50	
	3	8	12	16	21	25	29	34	38	42	47	51	
	4	9	13	17	22	26	30	35	39	43	48	52	
	5				18			31			44		
Неделя	2	6	10	14	19	23	27	32	36	41	45	49	2021
	3	7	11	15	20	24	28	33	37	42	46	50	
	4	8	12	16	21	25	29	34	38	43	47	51	
	5	9	13	17	22	26	30	35	39	44	48	52	
				18				31		40		1	
Неделя	2	6	10	15	19	23	28	32	36	41	45	49	2022
	3	7	11	16	20	24	29	33	37	42	46	50	
	4	8	12	17	21	25	30	34	38	43	47	51	
	5	9	13	18	22	26	31	35	39	44	48	52	
				14			27			40		1	

DEWALT®**ГАРАНТИЙНЫЙ ТАЛОН**

1. Поздравляем Вас с покупкой высококачественного изделия DEWALT и выражаем признательность за Ваш выбор.
2. При покупке изделия требуйте проверки его комплектности и исправности в Вашем присутствии, инструкцию по эксплуатации и заполненный Гарантийный талон на русском языке. В гарантийном талоне должны быть внесены: модель, дата продажи, серийный номер, дата производства инструмента; название, печать и подпись торговой организации. При отсутствии у Вас правильно заполненного Гарантийного талона, а также несоответствия указанных в нем данных, мы будем вынуждены отклонить Ваши претензии по качеству данного изделия.
3. Во избежание недоразумений, убедительно просим Вас перед началом работы с изделием внимательно ознакомиться с инструкцией по его эксплуатации. Правовой основой настоящих гарантийных условий является действующее Законодательство. Гарантийный срок на данное изделие составляет 36 месяцев и исчисляется со дня продажи. В случае устранения недостатков изделия, гарантийный срок продлевается на период его нахождения в ремонте. Срок службы изделия составляет 5 лет со дня продажи.
4. В случае возникновения каких-либо проблем в процессе эксплуатации изделия рекомендуем Вам обращаться только в уполномоченные сервисные центры DEWALT, адреса и телефоны которых Вы сможете найти на сайте www.2helpU.com или узнать в магазине. Наши сервисные станции - это не только квалифицированный ремонт, но и широкий ассортимент запчастей и принадлежностей.
5. Производитель рекомендует проводить периодическую проверку и техническое обслуживание изделия в уполномоченных сервисных центрах.
6. Наши гарантийные обязательства распространяются только на неисправности, выявленные в течение гарантийного срока и вызванные дефектами производства и / или материалов.
7. Гарантийные условия не распространяются на неисправности изделия, возникшие в результате:
 - 7.1. Несоблюдения пользователем предписаний инструкции по эксплуатации изделия, применения изделия не по назначению, неправильном хранении, использования принадлежностей, расходных материалов и запчастей, не предусмотренных производителем.
 - 7.2. Механического повреждения (сколы, трещины и разрушения) внутренних и внешних деталей изделия, основных и вспомогательных рукояток, сетевого электрического кабеля, вызванного внешним ударным или любым иным воздействием.
 - 7.3. Попадания в вентиляционные отверстия и проникновение внутрь изделия посторонних предметов, материалов или веществ, не являющихся отходами, сопровождающими применение изделия по назначению, такими как: стружка, опилки, песок, и пр.
 - 7.4. Воздействий на изделие неблагоприятных атмосферных и иных внешних факторов, таких как дождь, снег, повышенная влажность, нагрев, агрессивные среды, несоответствие параметров питающей электросети, указанных на инструменте.
 - 7.5. Стихийного бедствия. Повреждение или утрата изделия, связанное с непредвиденными бедствиями, стихийными явлениями, в том числе вследствие действия непреодолимой силы (пожар, молния, потоп и другие природные явления), а также вследствие перепадов напряжения в электросети и других причин, которые находятся вне контроля производителя.
8. Гарантийные условия не распространяются:
 - 8.1. На инструменты, подвергавшиеся вскрытию, ремонту или модификации вне уполномоченного сервисного центра.
 - 8.2. На детали и узлы, имеющие следы естественного износа, такие как: приводные ремни и колеса, угольные щетки, смазка, подшипники, зубчатое зацепление редукторов, резиновые уплотнения, сальники, направляющие ролики, муфты сцепления, бойки, толкатели, стволы, и т.п.
 - 8.3. На сменные и расходные части: цанги, зажимные гайки и фланцы, фильтры, ножи, шлифовальные подошвы, цепи, звездочки, пильные шины, защитные кожухи, пилки, абразивы, пильные и абразивные диски, фрезы, сверла, буры и т.п.
 - 8.4. На неисправности, возникшие в результате перегрузки инструмента (как механической, так и электрической), повлекшей выход из строя одновременно двух и более деталей и узлов, таких как ротора и статора, обеих обмоток статора, ведомой и ведущей шестерни редуктора или других узлов и деталей. К безусловным признакам перегрузки изделия относятся, помимо прочего: появление цветов побежалости, деформация или оплавление деталей и узлов изделия, потемнение или обугливание изоляции проводов электродвигателя под воздействием высокой температуры.

Товар получен в исправном состоянии, без видимых повреждений, в полной комплектации, проверен в моем присутствии, претензий по качеству товара не имею. С условиями гарантийного обслуживания ознакомлен и согласен.

Ф. И. О. и подпись покупателя _____

Уважаемые клиенты, наша сеть авторизованных сервисных центров постоянно расширяется. Актуальную информацию об обслуживании в интересующем вас городе вы можете узнать на сайте

www.2helpU.com

Информация об инструменте

Наименование инструмента	
Модель	
Наименование продавца	
Дата продажи	

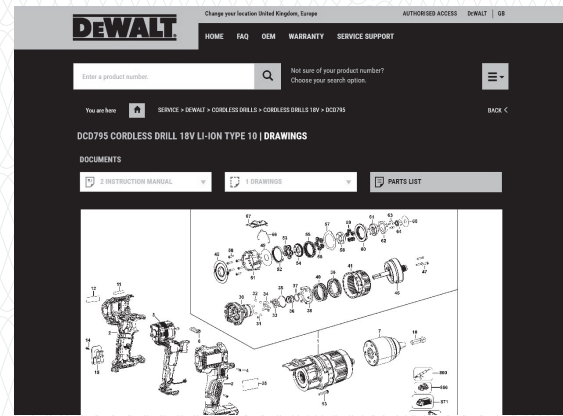
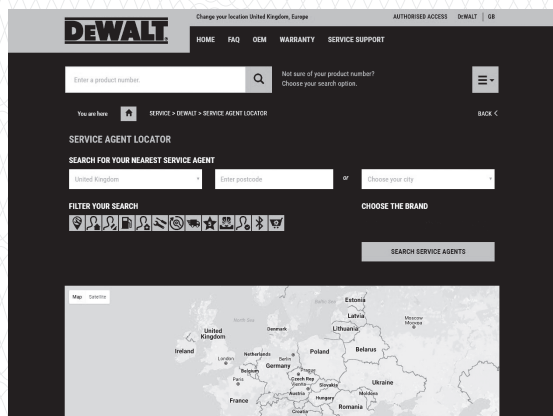
М.П.
Продавца

Серийный номер / Дата производства

Инструмент	
Зарядное устройство	
Аккумулятор 1	
Аккумулятор 2	

На сайте www.2helpU.com доступны следующие функции:

- Список авторизованных сервисных центров
- Удобный поиск ближайшего сервисного центра
- Руководство по эксплуатации
- Технические характеристики
- Список деталей и запасных частей
- Схема сборки инструмента



**Также данную информацию вы можете получить, позвонив по телефону:
8(800) 1000 876**

ОТМЕТКА О ПРОВЕДЕНИИ СЕРВИСНОГО ОБСЛУЖИВАНИЯ

№1	№2	№3	№4
№ заказа	№ заказа	№ заказа	№ заказа
Дата поступления	Дата поступления	Дата поступления	Дата поступления
Дата ремонта	Дата ремонта	Дата ремонта	Дата ремонта
Печать и подпись сервисного центра	Печать и подпись сервисного центра	Печать и подпись сервисного центра	Печать и подпись сервисного центра

ТОРЦЮВАЛЬНА ПИЛКА DCS781

Ви обрали інструмент виробництва компанії DEWALT. Великий досвід компанії у розробці інструментів та постійна робота над їх вдосконаленням позиціонують компанію DEWALT як надійного партнера користувачів професійного електрообладнання.

Технічні дані

		DCS781X2-GB	DCS781N-XE/ DCS78X1-XE
Напруга	V _{пост. струму}	54	54
Тип		21	21
Тип акумулятора		Літій-іонний	Літій-іонний
Діаметр пильного диска	мм	305	305
Діаметр отвору пильного диска	мм	30	25,4
Товщина диска	мм	1,6	1,6
Макс. товщина прорізу	мм	2,2	2,2
Макс. число обертів диску	об/хв.	3800	3800
Макс. ширина брусу при торцюванні під кутом 90°	мм	310	310
Макс. висота брусу при скосі 45°	мм	219	219
Макс. глибина розрізу при 90°	мм	112	112
Макс. глибина поперечного розрізу з нахилом 45°	мм	50	50
Макс. кут скосу	вліво вправо	50° 60°	50° 60°
Макс. кут нахилу	вліво вправо	49° 49°	49° 49°
0° скіс			
Ширина брусу при різанні на макс. висоту 165 мм	мм	19	19
Ширина брусу при різанні на макс. висоту 112 мм	мм	278	278
Висота брусу при різанні на макс. ширину 310 мм	мм	90	90
Скіс ліворуч 45°			
Ширина брусу при різанні на макс. висоту 112 мм	мм	197	197
Висота брусу при різанні на макс. ширину 219 мм	мм	90	90
Скіс праворуч 45°			
Ширина брусу при різанні на макс. висоту 112 мм	мм	197	197
Висота брусу при різанні на макс. ширину 219 мм	мм	90	90
Нахил ліворуч 45°			
Ширина брусу при різанні на макс. висоту 60 мм	мм	278	278
Висота брусу при різанні на макс. ширину 310 мм	мм	54	54
Нахил праворуч 45°			
Ширина брусу при різанні на макс. висоту 50 мм	мм	296	296
Висота брусу при різанні на макс. ширину 310 мм	мм	40	40
Автоматичне відключення обертання диску	с	<5	<5
Передавач Wireless Tool Control			
Діапазон частот	МГц	433	433
Макс. потужність (EIRP)	мВт	0,03	0,03
Маса (без акумулятора)	кг	23,2	23,2
Значення рівня шуму та/або вібрації під навантаженням (векторна сума трьох векторів) відповідно до стандарту EN62841-3-9:			
L _{PA} (рівень тиску звукового випромінювання)	дБ(А)	94,4	94,4
L _{WA} (рівень звукового тиску)	дБ(А)	106,4	106,4
K (похибка для даного рівня звукового тиску)	дБ(А)	2,5	2,5

Значення вібрації та/або шуму, наведене в цьому документі, було виміряне згідно зі стандартизованим тестом, викладеним в стандарті EN62841, та може використовуватись для порівняння інструментів. Це значення вібрації можна також використовувати для попередньої оцінки впливу вібрації.

ПОПЕРЕДЖЕННЯ. Заявлене значення вібрації та/або шуму вірне при стандартному використанні інструмента. Однак якщо інструмент використовується для виконання інших завдань, або з іншими витратними матеріалами/насадками, або не обслуговується належним чином, значення вібрації та/або шуму може відхилитися. Це може значно збільшити рівень впливу протягом усього періоду роботи.

Оцінка рівня впливу вібрації та/або шуму має враховувати час, протягом якого інструмент є вимкненим, а також час, протягом якого він є ввімкненим, але не використовується. Це може значно зменшити рівень впливу протягом усього періоду роботи.

Визначення додаткових заходів безпеки для захисту оператора від впливу вібрації та/або шуму: технічне обслуговування інструмента та приладдя, утримання рук у теплі (має значення для вібрації), організація режиму роботи.

Декларація про відповідність ЄС

Директива про машинне обладнання і Директива про радіотехнічне обладнання



Торцювальна пила DCS781

DEWALT заявляє, що описані в розділі «Технічні дані» пристрої відповідають стандартам: 2006/42/EC, EN62841-1:2015 + AC:2015 + A11:2022; EN62841-3-9:2020 + A11:2020.

Ці пристрої також відповідають вимогам Директив 2014/53/EU; 2014/30/EU та 2011/65/EU. Для отримання додаткової інформації зверніться до компанії DEWALT за вказаною нижче адресою або прочитайте інформацію на зворотній стороні цього посібника.

Нижчепідписаний несе відповідальність за упорядкування файлу технічних характеристик та робить цю заяву від імені компанії DEWALT.

Маркус Ромпель
Віце-президент з машинобудування, PTE-Europe
DEWALT, Richard-Klinger-Straße 11,
65510, Idstein, Німеччина
30.11.2022



ПОПЕРЕДЖЕННЯ. Уважно прочитайте посібник з експлуатації для зниження ризику отримання травм.

Позначення: інструкції з техніки безпеки

Умовні позначення, наведені нижче, описують рівень важливості кожної попереджувальної вказівки. Прочитайте посібник з експлуатації та зверніть увагу на символи, наведені нижче.



НЕБЕЗПЕЧНО! Вказує на безпосередню загрозу, ігнорування якої може призвести до смерті або серйозної травми.



ПОПЕРЕДЖЕННЯ. Вказує на потенційну загрозу, ігнорування якої може призвести до смерті або серйозної травми.



УВАГА! Вказує на потенційну загрозу, ігнорування якої може призвести до травми легкої або середньої тяжкості.

ПРИМІТКА. Вказує на ситуацію, не пов'язану з особистою травмою, ігнорування цієї ситуації може призвести до пошкодження майна.



ВКАЗУЄ НА РИЗИК УРАЖЕННЯ ЕЛЕКТРИЧНИМ СТРУМОМ.



ВКАЗУЄ НА РИЗИК ВИНИКНЕННЯ ПОЖЕЖІ.

ЗАГАЛЬНІ ПРАВИЛА БЕЗПЕКИ ПРИ ЕКСПЛУАТАЦІЇ ЕЛЕКТРИЧНОГО ІНСТРУМЕНТА



ПОПЕРЕДЖЕННЯ. Ознайомтеся з усіма попередженнями, інструкціями з техніки безпеки, зображеннями та специфікаціями, які поставляються з цим електричним інструментом. Невиконання нижченаведених інструкцій може призвести до ураження електричним струмом, пожежі та/або серйозних тілесних ушкоджень.

ЗБЕРІГАЙТЕ ВСІ ПОПЕРЕДЖЕННЯ ТА ІНСТРУКЦІЇ ДЛЯ ПОДАЛЬШОГО ВИКОРИСТАННЯ.

Термін «електричний інструмент» в усіх попередженнях стосується використовуваних вами інструментів, що живляться від мережі енергопостачання (з електричним кабелем) або від акумуляторів (без кабелю).

1) Безпека робочої зони

- Робоча зона завжди має бути чистою та добре освітленою. Захаращена або темна робоча зона призводить до нещасних випадків.
- Не використовуйте електричні інструменти у вибухонебезпечній атмосфері, наприклад поруч із вогненебезпечними рідинами, газами та пилом. Електричні інструменти створюють іскри, що можуть запалити пил або пар.
- Тримайте дітей та сторонніх подалі під час використання інструмента. Відвернення уваги може призвести до втрати контролю.

2) Електрична безпека

- Вилка електричного інструмента повинна відповідати розетці. Ніколи жодним чином не змінюйте вилку. Не використовуйте адаптери з замкнутими на землю (заземленими) електричними інструментами. Немодифіковані вилки та розетки, що підходять до них, зменшують ризик ураження електричним струмом.
- Уникайте контакту тіла з заземленими поверхнями, такими як труби, радіатори, плити та холодильники. Якщо ваше тіло заземлене, збільшується ризик ураження електричним струмом.

Батареї				Зарядні пристрої/час зарядки (у хвиликах)**								
Кат. №	V _{DC}	Ah	Маса (kg)	DCB104	DCB107	DCB112/ DCB1102	DCB113	DCB115/ DCB1104	DCB116	DCB117	DCB118	DCB132
DCB546	18/54	6,0/2,0	1,08	60	270	170	140	90	80	40	60	90
DCB547/G	18/54	9,0/3,0	1,46	75*	420	270	220	135*	110*	60	75*	135*
DCB548	18/54	12,0/4,0	1,46	120	540	350	300	180	150	80	120	180
DCB549	18/54	15,0/5,0	2,12	125	730	450	380	230	170	90	125	230

*Код дати 201811475B або пізніше

**Battery charge times matrix provided for guidance only; charge times will vary depending on temperature and condition of batteries.

- c) **Не залишайте електричні інструменти під дощем або в умовах підвищеної вологості.** Вода, що потрапляє в електричний інструмент, підвищує ризик ураження електричним струмом.
- d) **Не використовуйте кабель живлення не за призначенням. Ніколи не переносьте, не тягніть та не відключайте електричний інструмент від розетки живлення за допомогою шнура. Тримайте шнур подалі від високих температур, мастила, гострих предметів та рухомих деталей.** Пошкоджені або перекручені шнури підвищують ризик ураження електричним струмом.
- e) **При використанні електричного інструмента на вулиці, використовуйте подовжувальний шнур, що підходить для використання на вулиці.** Використання шнура, що призначений для використання поза приміщенням, знижує ризик ураження електричним струмом.
- f) **Якщо неможливо уникнути використання електричного інструмента в умовах підвищеної вологості, використовуйте переривник замикання на землю (GFCI).** Використання GFCI знижує ризик ураження електричним струмом.

3) Особиста безпека

- a) **Будьте в стані готовності, дивіться, що ви робите, та будьте розсудливі, працюючи з електричним інструментом. Не використовуйте електричний інструмент, коли ви втомлені або знаходитесь під впливом наркотичних речовин, алкоголю або ліків.** Втрата уваги під час роботи з електричними інструментами може призвести до серйозних травм.
- b) **Використовуйте особисті засоби безпеки. Завжди використовуйте засоби захисту очей.** Використання таких засобів індивідуального захисту, як протипилова маска, протиковзне захисне взуття, захисна каска та захисні навушники, у відповідних умовах зменшує ризик виникнення травм.
- c) **Уникайте випадкового запуску. Переконайтеся в тому, що перемикач знаходиться в позиції Вимк., перш ніж підключати інструмент до джерела живлення та/або акумулятора, переміщувати або переносити.** Може статися нещасний випадок, коли ви переносите інструмент, тримаючи палець на перемикачі, або підключаєте живлення до перемикача в положенні Оп (Увімк.).
- d) **Зніміть усі ключі для регулювання або гайкові ключі, перш ніж вмикати електричний інструмент.** Гайковий ключ, що залишився прикріпленим до якоїсь деталі електричного пристрою, що обертається, може призвести до травм.
- e) **Не прикладайте надмірного зусилля. Завжди утримуйте правильну постановку ніг і рівновагу.** Це дає вам змогу краще контролювати інструмент в неочікуваних ситуаціях.
- f) **Одягайтеся відповідним чином. Не вдягайте вільний одяг або прикраси.** Тримайте ваше волосся, одяг та рукавички подалі від рухомих деталей. Вільний одяг, прикраси або довге волосся може зачепитися за рухомі деталі.
- g) **Якщо передбачені пристрої для підключення до засобів виділення та збирання пилу, переконайтеся, що вони правильно підключені та використовуються.** Використання таких пристроїв зменшує ризик виникнення небезпечних ситуацій, що пов'язані з потраплянням пилу.
- h) **Навіть якщо ви добре знаєте інструмент та часто його використовуєте, не розслабляйтесь та не забувайте про принципи техніки безпеки.** Необережні дії можуть за долю секунди призвести до важких тілесних ушкоджень.

4) Використання електричного інструмента та догляд за ним

- a) **Не прикладайте надмірних зусиль під час роботи з інструментом. Використовуйте електричний інструмент, який відповідає завданню, що виконується.** Правильно обраний інструмент виконає завдання краще та безпечніше за умов, для яких він був розроблений.
- b) **Не використовуйте інструмент, якщо його неможливо ввімкнути та вимкнути за допомогою вимкача.** Будь-який електричний інструмент, яким неможливо керувати за допомогою вимкача, є небезпечним і має бути відремонтований.
- c) **Якщо вилка знімна, відключіть її від джерела живлення та/або вийміть акумулятор, перш ніж виконувати будь-які налаштування, змінювати додаткове обладнання або зберігати інструмент.** Ці профілактичні заходи зменшують ризик випадкового запуску електричного інструмента.
- d) **Зберігайте вимкнені електричні інструменти в недоступному для дітей місці та не дозволяйте особам, що не знайомі з електричним інструментом або цими інструкціями, використовувати електричний інструмент.** Електричні інструменти є небезпечними, якщо вони використовуються некваліфікованими користувачами.
- e) **Технічне обслуговування електричних інструментів та приладдя. Перевіряйте неспівісність, заїдання рухомих деталей, наявність пошкоджених частин та інших факторів, які можуть впливати**

на роботу електричного інструмента. Якщо є пошкодження, відремонтуйте електричний інструмент перед використанням. Нещасні випадки часто є результатом того, що інструмент не пройшов відповідного технічного обслуговування.

- f) **Різальні інструменти мають бути гострими та чистими.** Правильно доглянуті різальні інструменти з гострими різальними кромками мають меншу імовірність заїдання, та ними легше керувати.
- g) **Використовуйте електричний інструмент, додаткові інструменти та деталі інструменту тощо у відповідності до цих інструкцій та відповідно до даного типу електричних інструментів, зважаючи на умови використання та роботу, яка має бути виконана.** Використання електричних інструментів не за призначенням може призвести до виникнення небезпечних ситуацій.
- h) **Всі ручки та поверхні для тримання інструмента мають бути сухими, без залишків мастила.** Ковзкі ручки та поверхні для тримання не дозволяють безпечно працювати та контролювати інструмент у неочікуваних ситуаціях.

5) Використання та догляд за інструментом, що живиться від акумулятора

- a) **Заряджайте інструмент лише за допомогою зарядного пристрою, вказаного виробником.** Зарядний пристрій, що підходить до одного типу акумуляторів, може призвести до пожежі в разі використання з іншим акумулятором.
- b) **Використовуйте електричні інструменти лише з призначеними для них акумуляторами.** Використання інших акумуляторів може призвести до травм або пожежі.
- c) **Коли акумулятори не використовуються, зберігайте їх подалі від металевих предметів, таких як скріпки, монети, ключі, цвяхи, гвинти або інші невеликі предмети, що можуть призвести до замикання двох контактів.** Коротке замикання клем акумулятора може призвести до вибуху або пожежі.
- d) **За невідповідних умов використання рідина може витікати з акумулятора; уникайте контакту з цією рідиною.** Якщо контакт такий стався, промийте забруднену ділянку водою. Якщо рідина потрапила в очі, промийте водою та зверніться до лікаря. Рідина, що витікає з акумулятора, може призвести до подразнень та опіків.
- e) **Не використовуйте пошкоджений або модифікований акумулятор або інструмент.** Пошкоджені або модифіковані акумулятори можуть поводити себе непередбачуваним чином, призводячи до пожежі, вибуху або тілесним ушкодженням.
- f) **Не надавайте акумулятор та інструмент дії вогню та надмірних температур.** Дія вогню або температури вище 130 °C може спричинити вибух.
- g) **Виконуйте всі інструкції щодо зарядки; заряджайте акумулятор та інструмент тільки в межах температурного діапазону, вказаного в інструкціях.** Неналежна зарядка або зарядка поза межами вказаного температурного діапазону може пошкодити акумулятор та підвищити ризик пожежі.

6) Обслуговування

- a) **Надавайте ваш електричний інструмент для обслуговування кваліфікованим спеціалістом з ремонту та використовуйте тільки ідентичні замінні деталі.** Це забезпечить безпеку електричного пристрою, що обслуговується.
- b) **Ніколи не обслуговуйте пошкоджені акумулятори самостійно.** Обслуговування акумуляторів мають виконувати представники виробника або працівники офіційного сервісного центру.

Інструкції з техніки безпеки для торцювальних пилок

- a) **Торцювальні пилки призначені для різання деревини або деревоподібних виробів, їх не можна використовувати з абразивними різальними дисками для різання чорних матеріалів, таких як бруски, стрижні, шпильки тощо.** Абразивний пил призводить до заклинювання рухомих деталей, таких як нижній захисний кожух. Іскри від абразивного різання можуть спалити нижній кожух, вставку для прорізу та інші пластикові деталі.
- b) **Використовуйте затискачі для надійної фіксації заготовки, коли це можливо.** Якщо заготовка утримується рукою, завжди тримайте руку на відстані якнайменше 100 мм по обидва боки від пильного диска. **Не використовуйте цю пилку для різання занадто маленьких деталей, які неможливо надійно затиснути або тримати вручну.** Якщо рука знаходиться занадто близько до пильного диска, виникає підвищений ризик травмування в результаті контакту з ним.
- c) **Заготовку слід нерухомо затискати або утримувати на напрямній та на столі.** Забороняється подавати заготовку на диск або розрізати з

«вільними руками». Заготовки, що не утримуються або рухаються, можуть бути викинуті з високою швидкістю, що може спричинити травму.

- d) **Штовхайте пилку через заготовку. Не тягніть пилку через заготовку. Щоб виконати різання, підійміть різальну голівку і витягніть її над заготовкою без різання, запустіть двигун, натисніть на різальну голівку і проштовхніть пилку через заготовку.** Різка на хід пилки може призвести до того, що пильний диск залізе на заготовку і різко перекине вузол пилки в бік оператора.
- e) **Ніколи не перетинайте рукою лінію розпилу ані спереду, ані ззаду пильного диска.** Утримання заготовки «навхрест», тобто утримання заготовки праворуч від пильного диска лівою рукою або навпаки є дуже небезпечним.
- f) **Під час обертання пильного диска не наближайтеся до напрямної жодної рукою ближче, ніж на 100 мм по обидва боки пильного диска, щоб видалити тирсу або з будь-якої іншої причини.** Близькість пильного диска під час обертання до руки може бути неочевидною і призвести до серйозних травм.
- g) **Перед виконанням різання огляньте заготовку. Якщо заготовка зігнута або викривлена, затисніть її зовнішньою зігнутою стороною до напрямної. Завжди стежте за тим, щоб між заготовкою, напрямною і столом не було зазору по лінії розрізу. Вигнуті або викривлені заготовки можуть скручуватися або зміщуватися і при різанні можуть стати причиною заїдання на пильному диску, що обертається.** В заготовці не повинно бути цвяхів або сторонніх предметів.
- h) **Не використовуйте пилку, поки не очистите стіл від усіх інструментів, тирси тощо, окрім заготовки.** Невеликі уламки, вільні шматки дерева або інші предмети, що потрапляють на диск, що обертається, можуть бути викинуті з високою швидкістю.
- i) **Розпилуйте одну заготовку за раз.** Неможливо належним чином затиснути або закріпити кілька покладених в штабель заготовок, вони можуть зачепитися за диск або зрушитись під час різання.
- j) **Перед використанням переконайтеся, що торцювальна пилка змонтована або встановлена на рівній та міцній робочій поверхні.** Рівна і міцна робоча поверхня знижує ризик нестійкості торцювальної пилки.
- k) **Плануйте свою роботу. Кожного разу, коли ви змінюєте кут нахилу або скосу, переконайтеся, що напрямна не заважатиме диску та системі захисних елементів.** Не включаючи інструмент і без заготовки на столі зробіть повну імітацію різання пильним диском, щоб переконатися у відсутності перешкод або небезпекі порізів напрямної.
- l) **Для заготовки, ширину або довжину якої більше, ніж стіл, забезпечте відповідну опору, таку як висувні столи, пильні козли тощо.** Заготовки, які довше або ширше, ніж стіл для торцювальної пилки, можуть перекидатися, якщо не забезпечена надійна опора. Якщо відрізана частина або заготовка перекидається, вона може підняти нижній захисний кожух або бути викинута пильним диском під час обертання.
- m) **Забороняється використовувати іншу особу замість висувного стола або в якості додаткової опори.** Нестабільна опора заготовки може призвести до заїдання диска або зміщення заготовки під час операції різання, втягуючи вас і помічника до пильного диска, що обертається.
- n) **Забороняється притискати відрізану частину до пильного диска, що обертається, або затискати її будь-яким способом.** При обмеженні, тобто при використанні обмежувачів довжини, відрізана частина може заклинюватися на диску і бути відкинута із силою.
- o) **Завжди використовуйте затискач або кріплення, призначене для правильного утримання круглих матеріалів, таких як стрижки або труби.** Стрижки мають схильність котитися під час різання, що призводить до того, що диск «закушує» і затягує до себе вашу руку.
- p) **Дайте диску досягти повної швидкості перед контактом із заготовкою.** Це зменшить ризик викидання заготовки.
- q) **Якщо заготовку або диск заклинило, вимкніть пилку. Зачекайте, доки всі рухомі деталі зупиняться і від'єднайте штекер від джерела живлення та/або вийміть акумулятор. Потім звільніть матеріал, що застряг.** Продовження різання із затиснутою заготовкою може призвести до втрати контролю або пошкодження торцювальної пилки.
- r) **Після завершення різання відпустіть перемикач, тримайте різальну голівку вниз і дочекайтеся зупинки пильного диска перед витяганням відрізаної частини.** Небезпечно дотикатися рукою до диска, який рухається за інерцією.
- s) **При неповному розпилі або при відпусканні перемикача міцно тримайтеся за ручку увесь час до повного досягнення різальною голівкою нижнього положення.** Гальмування пилки може призвести до раптового втягування різальної голівки донизу, що може спричинити травму.



ПОПЕРЕДЖЕННЯ. Не встановлюйте акумулятор у пристрій, доки не прочитаете та не засвоїте інструкції в повному

- **НЕ ЕКСПЛУАТУЙТЕ ЦЕЙ ІНСТРУМЕНТ,** доки він не буде повністю зібраний та встановлений відповідно до інструкцій. Невірно зібраний інструмент може призвести до серйозних травм.
- **ЗВЕРНІТЬСЯ ЗА ПОРАДОЮ** до свого керівника, інструктора або іншої кваліфікованої особи, якщо ви не досконало знайомі з експлуатацією інструмента. Знання – це безпека.
- **ПЕРЕКОНАЙТЕСЬ,** що пильний диск обертається у потрібному напрямку. Зубці на диску повинні бути спрямовані в напрямку обертання, зазначеному на пилці.
- **ЗАТЯГНІТЬ УСІ ЗАТИСКНІ РУКОЯТКИ,** ручки та важелі перед початком роботи. Вільні затискачі можуть спричинити викидання деталей або заготовок на високій швидкості.
- **УНИКАЙТЕ НЕКОНТРОЛЬОВАНОГО ВИВІЛЬНЕННЯ РІЗАЛЬНОЇ ГОЛІВКИ З КРАЙНЬОГО НИЖНЬОГО ПОЛОЖЕННЯ.** В іншому випадку існує ризик перекидання інструмента.
- **ПЕРЕКОНАЙТЕСЬ,** що всі диски та затискачі дисків чисті, заглиблені сторони затискачів дисків знаходяться на дисках, а гвинт валу надійно затягнутий. Вільне або неправильне затискання диска може призвести до пошкодження пилки та травм.
- **НЕ ВИКОРИСТОВУЙТЕ ІНШУ НАПРУГУ, ОКРІМ ВКАЗАНОЇ** для пилки. Це може призвести до перегрівання, ушкодження інструменту та травм.
- **НІКОЛИ НіЧОГО НЕ ВСТАВЛЯЙТЕ МІЖ ЛОПАТКАМИ ВЕНТИЛЯТОРА,** щоб зупинити вал двигуна. Це може призвести до ушкодження інструмента та травм.
- **НІКОЛИ НЕ РОЗРІЗАЙТЕ ЧОРНІ МЕТАЛИ** або цеглу. Будь-яка з цих ситуацій може призвести до зіттаня з диска твердосплавних кінчиків на великій швидкості, спричиняючи серйозні травми.
- Частина тіла **НІКОЛИ НЕ ПОВИННІ ОПИНЯТИСЯ НА ШЛЯХУ ДИСКА ПИЛКИ.** Це приведе до травм.
- **НІКОЛИ НЕ НАНОСИТЬ МАСТИЛО НА РУХОМИЙ ДИСК.** Застосування мастила може призвести до потрапляння вашої руки на диск, що приведе до серйозних травм.
- **НЕ** тримайте руки на шляху пильного диска, коли пилка підключена до джерела живлення. Ненавмисне ввімкнення диска може призвести до серйозних травм.
- **НІКОЛИ НЕ ТЯГНІТЬСЯ ЧЕРЕЗ ПИЛЬНИЙ ДИСК.** Диск може спричинити серйозні травми.
- **НЕ ПРОСТЯГАЙТЕ РУКИ ПІД ПИЛКОЮ,** якщо вона не відключена від мережі та не вимкнена. Контакт з диском пилки може призвести до травм.
- **ЗАКРІПІТЬ ІНСТРУМЕНТ НА СТІЙКІЙ ОПОРНІЙ ПОВЕРХНІ.** Вібрація може призвести до ковзання, переміщення або перекидання інструмента, що може спричинити серйозні травми.
- **ВИКОРИСТОВУЙТЕ ТОРЦЮВАЛЬНІ ПИЛЬНІ ДИСКИ ТІЛЬКИ** рекомендовані для торцювальних пилок. Для отримання найкращих результатів не використовуйте диски з твердосплавними кінчиками із переднім кутком, що перевищує 7 градусів. Не використовуйте диски з глибокими жолобами. Вони можуть відкритися та зачепити кожух, що може призвести до пошкодження інструмента та/або серйозних травм.
- **ВИКОРИСТОВУЙТЕ ВИКЛЮЧНО ДИСКИ ПРАВИЛЬНОГО РОЗМІРУ ТА ТИПУ,** призначені для цього інструмента, щоб запобігти пошкодженням інструмента та/або серйозним травмам (відповідно до EN847-1:2017).
- **МАКСИМАЛЬНА ДОЗВОЛЕНА ШВИДКІСТЬ ПИЛЬНОГО ДИСКА** завжди повинна перевищувати або, принаймні, дорівнювати швидкості, вказаній на паспортній таблиці інструмента.
- **ДІАМЕТР ПИЛЬНОГО ДИСКА** повинен відповідати маркуванню на паспортній таблиці інструмента.
- **ПЕРЕВІРЬТЕ ДИСК НА ПРЕДМЕТ ТРІЩИН** або інших пошкоджень перед початком роботи. Потрісканий або пошкоджений диск може розпастися, а шматки відлетіти на великій швидкості, спричинивши серйозні травми. негайно замініть потрісканий або пошкоджений диск.
- **ОЧИЩУЙТЕ ДИСК ТА ЗАТИСКАЧІ ДИСКА** перед початком роботи. Очищення диска та затискачів диска дозволяє перевірити їх на предмет наявності пошкоджень диска або затискачів диска. Потрісканий або пошкоджений диск або затискач диска може розпастися, а шматки відлетіти на великій швидкості, спричинивши серйозні травми.
- **НЕ ВИКОРИСТОВУЙТЕ ВИКРИВЛЕНІ ДИСКИ.** Перевірте, чи обертається диск без биття і чи немає вібрації. Диск, що вібрає, може призвести до пошкодження інструмента та/або серйозних травм.
- **НЕ** використовуйте мастила та очищувачі (особливо спреї або аерозолі) поблизу пластикового кожуха. Полікарбонатний матеріал, що використовується в кожусі, піддається впливу певних хімічних речовин.
- **ТРИМАЙТЕ КОЖУХ НА МІСЦІ** та в справному стані.
- **ЗАВЖДИ ВИКОРИСТОВУЙТЕ НАКЛАДКУ ІЗ ПРОРІЗОМ ТА ЗАМІНІЙТЕ ЇЇ У ВИПАДКУ ПОШКОДЖЕННЯ.** Невелике скупчення стружки під пилкою може заважати пильному диску або призвести до нестійкості заготовки при різанні.
- **ВИКОРИСТОВУЙТЕ ВИКЛЮЧНО ЗАТИСКАЧІ ДИСКІВ, ПРИЗНАЧЕНІ ДЛЯ ЦЬОГО ІНСТРУМЕНТА,** щоб запобігти пошкодженням інструмента та/або серйозним травмам.
- **ОЧИЩУЙТЕ ПОВІТРЯНІ ЗАЗОРИ ДВИГУНА** від стружки та тирси. Забиті повітряні зазори двигуна можуть призвести до перегрівання або пошкодження машини та спричинити серйозні травми.

Додаткові правила безпеки при роботі з торцювальними пилками



ПОПЕРЕДЖЕННЯ. Навіть якщо ви добре знаєте інструмент (та часто використовуєте пилку), не забувайте про правила техніки безпеки. Завжди пам'ятайте, що необережні дії можуть за долю секунди призвести до важких тілесних ушкоджень.



ПОПЕРЕДЖЕННЯ. Ніколи не модифікуйте електричні інструменти та їх деталі. Це може призвести до пошкодження майна або тілесних ушкоджень.

- **НИКОЛИ НЕ ФІКСУЙТЕ ВИМИКАЧ У ПОЛОЖЕННІ «УВІМК».** Через це можна отримати серйозну травму.
- **НИКОЛИ НЕ СТАВАЙТЕ НА ІНСТРУМЕНТ.** У разі перекидання або ненавмисного дотику до ріжучого інструменту можливі важкі травми.
- **НИКОЛИ НЕ ЗАЛИШАЙТЕ ІНСТРУМЕНТ ПРАЦЮВАТИ БЕЗ НАГЛЯДУ. ВИМКНІТЬ ЖИВЛЕННЯ.** Не залишайте інструмент до повної зупинки.
- **ОБОВ'ЯЗКОВО** використовуйте правильний пильний диск для різання матеріалу.
- **НЕ ВИКОРИСТОВУЙТЕ АБРАЗІВНІ КРУГИ АБО ДИСКИ.** Надмірне тепло та утворювані абразивні частинки можуть пошкодити пилку та спричинити тілесні ушкодження.

ПОПЕРЕДЖЕННЯ. Різання пластмаси, деревини з покриттям та інших матеріалів може призвести до накопичення розплавленого матеріалу на кінчиках пильного диска і його корпусі, збільшуючи ризик перегрівання і заїдання диска при різанні.

ПОПЕРЕДЖЕННЯ. ЗАВЖДИ використовуйте захисні окуляри. Окуляри для повсякденного використання НЕ є захисними окулярами. Якщо під час операції різання виникає пил, також використовуйте захисну протипилову маску для обличчя. **ЗАВЖДИ ВИКОРИСТОВУЙТЕ ЛИШЕ СЕРТИФІКОВАНІ ЗАСОБИ ІНДИВІДУАЛЬНОГО ЗАХИСТУ:**

ПОПЕРЕДЖЕННЯ. Пил, що утворюється при механічному шліфуванні, розпилюванні, заточуванні та інших діях на будівництві, містить хімікати, що відповідно до норм штату Каліфорнія, викликають рак, вроджені вади та інші проблеми репродуктивної системи. Приклади таких хімічних речовин:

- свинець зі свинцевих фарб,
- кристалічний кремнезем з цегли, цементу та інших матеріалів для кладки і
- миш'як і хром з деревини, що піддавалась хімічній обробці.

Ризик виникнення проблем через вплив цих речовин варіюється в залежності від того, як часто користувач виконує цей вид роботи. Щоб зменшити вплив цих хімічних речовин, працюйте у добре вентильованому приміщенні, а також використовуйте відповідні засоби безпеки, такі як протипилові маски, які здатні фільтрувати мікроскопічні частинки.

- **Уникайте тривалого контакту з пилом, що утворюється при механічному шліфуванні, розпилюванні, заточуванні, свердління та інших будівельних роботах. Носіть захисний одяг і мийте відкриті ділянки тіла милом і водою.** Потрапляння пилу в рот, очі або на шкіру може сприяти всмоктуванню шкідливих хімічних речовин.

ПОПЕРЕДЖЕННЯ. Використання цього інструменту може спричинити утворення та/або виділення пилу, що може призвести до серйозних і постійних проблем дихальної системи або інших травм. При контакт з пилом завжди використовуйте відповідні засоби захисту органів дихання. Струшуйте частки пилу з обличчя та тіла.

ПОПЕРЕДЖЕННЯ. Під час експлуатації інструмента використовуйте відповідні персональні засоби захисту органів слуху. За певних умов та тривалості використання шум від цього виробу може спричинити втрату слуху.

- **Пам'ятайте про наступні фактори, що впливають на інтенсивність шуму:**
 - Використовуйте пильні диски, розроблені для зменшення впливу шуму,
 - Використовуйте тільки добре заточені пильні диски, і
 - Використовуйте спеціально розроблені нешумні пильні диски.
- **Рухомі деталі часто приховані вентиляційними отворами; уникайте контакту з ними.** Вільний одяг, прикраси або довге волосся може зачепитися за рухомі деталі.

Залишкові ризики

Наступні ризики можуть залишитися при використанні пилок:

- Травми через контакт з деталями, що обертаються.
- Дотримання всіх правил техніки безпеки та застосування пристроїв безпеки не гарантує уникнення певних залишкових ризиків. До такого переліку належать:
 - Порушення слуху.
 - Ризик нещасного випадку, викликаний незакритими деталями пильного диска, що обертається.
 - Ризик травми при заміні пильного диску.
 - Ризик затиснення пальців при відкритті захисних кожухів.
 - Небезпека для здоров'я через вдихання пилу, що утворюється при розпилюванні деревини, особливо дубу, буку та ДВП.

Наступні фактори збільшують ризик проблем з диханням:

- При розпилюванні деревини не підключений пристрій для видалення пилу.
- Недостатня потужність всмоктування пилу через забруднені фільтри.

ЗБЕРІГАЙТЕ ЦІ ІНСТРУКЦІЇ

Зарядні пристрої

Зарядні пристрої DEWALT не вимагають налаштувань і розроблені для максимально простого використання.

Електрична безпека

Електричний двигун розроблений для роботи лише з одним значенням напруги. Завжди перевіряйте, що напруга акумулятора відповідає напрузі, що вказана в технічних даних. Також переконайтесь, що напруга зарядного пристрою відповідає напрузі мережі живлення.



Цей зарядний пристрій виробництва компанії DEWALT має подвійну ізоляцію відповідно до EN60335, тому заземлення не є необхідним.

Якщо кабель живлення пошкоджений, його заміну може проводити тільки компанія DEWALT або офіційний сервісний центр.

Заміна мережевої вилки (тільки для Великої Британії та Ірландії)

Якщо потрібно встановити нову вилку:

- Зніміть стару вилку та утилізуйте її, дотримуючись правил техніки безпеки.
- Приєднайте коричневий провідник до активного виходу вилки.
- Приєднайте блакитний провідник до нейтрального виходу.



ПОПЕРЕДЖЕННЯ. Жоден провідник не має бути підключений до клеми заземлення.

Дотримуйтесь інструкцій щодо встановлення, які постачаються з якісними вилками. Рекомендований плавкий запобіжник: 3 А.

Використання подовжувального шнура

Використовуйте подовжувальний шнур лише за абсолютної необхідності. Використовуйте лише рекомендований подовжувальний шнур, що відповідає споживаній потужності вашого зарядного пристрою (див. **Технічні дані**). Мінімальний переріз провідника становить 1 мм²; максимальна довжина – 30 м.

При використанні кабельного барабану завжди витягуйте весь кабель.

Важливі інструкції з техніки безпеки для всіх зарядних пристроїв

ЗБЕРІГАЙТЕ ЦІ ІНСТРУКЦІЇ. У цьому посібнику містяться важливі інструкції з техніки безпеки та використання для сумісних зарядних пристроїв (див. **«Технічні дані»**).

- **Перед використанням зарядного пристрою прочитайте всі інструкції та попередження на зарядному пристрої, акумуляторах та продукті, для якого ці акумулятори використовуються.**



ПОПЕРЕДЖЕННЯ. Небезпека ураження електричним струмом. Не допускайте потрапляння рідини в зарядний пристрій. Це може призвести до ураження електричним струмом.



ПОПЕРЕДЖЕННЯ. Ми рекомендуємо використовувати захисний пристрій відключення з номінальним значенням диференційного струму 30 мА або менше.



УВАГА! Небезпека опіку. Для зниження ризику отримання травм заряджайте лише акумулятори DEWALT. Інші типи акумуляторів можуть вибухнути, спричинивши тілесні ушкодження та пошкодження майна.



УВАГА! Уважно слідкуйте за тим, щоб діти не гралася з пристроєм.

ПРИМІТКА. За певних умов, коли зарядний пристрій підключений до мережі живлення, незахищені контакти всередині зарядного пристрою можуть замкнутися будь-яким стороннім предметом. Сторонні предмети, що проводять струм, наприклад металева стружка, алюмінієва фольга або будь-які металеві деталі, необхідно зберігати подалі від зарядного пристрою. Завжди відключайте зарядний пристрій від розетки, коли акумулятор не встановлено в зарядний пристрій. Відключіть зарядний пристрій від мережі живлення перед його очищенням.

- **НЕ НАМАГАЙТЕСЯ ЗАРЯДЖАТИ АКУМУЛЯТОР ЗАРЯДНИМИ ПРИСТРОЯМИ, ЩО НЕ ВКАЗАНІ В ЦЬОМУ ПОСІБНИКУ.** Зарядний пристрій та акумулятори даної моделі розроблені для сумісної експлуатації.
- **Ці зарядні пристрої не призначені для інших цілей, окрім заряджання акумуляторів DEWALT.** Використання з іншими акумуляторами може призвести до виникнення пожежі або ураження електричним струмом.
- **Не надавайте зарядний пристрій впливу дощу або снігу.**
- **При відключенні зарядного пристрою від мережі живлення тягніть за вилку, а не за кабель.** Це зменшить ризик пошкодження вилки та кабелю.
- **Переконайтесь, що кабель розміщений так, щоб на нього не наступали, не ходили по ньому та не піддавали його іншим фізичним впливам.**
- **Не використовуйте подовжувальний шнур окрім випадків, коли це абсолютно необхідно.** Використання невідповідних подовжувальних шнурів може призвести до пожежі або ураження електричним струмом.
- **Не кладіть будь-які предмети на зарядний пристрій та не залишайте зарядний пристрій на м'якій поверхні, що може заблокувати вентиляційні отвори та призвести до надмірного нагрівання.** Розташуйте зарядний пристрій подалі від джерел тепла. Зарядний пристрій вентилюється крізь отвори у верхній та нижній частинах корпусу.
- **Не використовуйте зарядний пристрій із пошкодженням кабелем або вилкою** — їх потрібно негайно замінити.
- **Не використовуйте зарядний пристрій, якщо той отримав різкий удар, впав або був пошкоджений іншим чином.** Віднесіть його до авторизованого сервісного центру.
- **Якщо зарядний пристрій вимагає технічного обслуговування або ремонту, не розбирайте його самотужки, а віднесіть до авторизованого сервісного центру.** Невідповідні способи використання можуть призвести до виникнення пожежі або ураження електричним струмом.
- Якщо кабель живлення пошкоджено, для уникнення небезпеки його необхідно негайно замінити, звернувшись до виробника, спеціаліста сервісного центру або іншого кваліфікованого спеціаліста.
- **Відключайте зарядний пристрій від розетки перед його очищенням.** Це дозволяє знизити ризик ураження електричним струмом. Зняття акумулятора не знижує ризик.

- **НИКОЛИ** не намагайтесь з'єднати два зарядні пристрої.
- **Цей зарядний пристрій розрахований на роботу зі стандартною напругою побутової електромережі 230 В. Не намагайтесь використовувати його з іншою напругою. Це не стосується автомобільних зарядних пристроїв.**







Зарядка акумулятора (рис. В)

1. Підключіть зарядний пристрій до відповідної розетки перед встановленням акумулятора.
2. Вставте акумулятор **3** у зарядний пристрій до упору. Червоний індикатор (зарядки) буде часто миготіти, указуючи на початок процесу зарядки.
3. Коли зарядку завершено, червоний індикатор горить, не блимаючи. Це означає, що акумулятор повністю заряджений та може використовуватися одразу або залишатися в зарядному пристрої. Щоб витягнути акумулятор із зарядного пристрою, натисніть кнопку деблокування **4** на акумуляторі.

ПРИМІТКА. Щоб забезпечити максимальну продуктивність та тривалість роботи літій-іонного акумулятора, повністю зарядіть його перед першим використанням.

Робота зарядного пристрою

Нижче описані індикатори стану заряджання акумулятора.

Індикатори зарядки	
	Заряджається 
	Повністю заряджений 
	Затримка через надмірно високу/низьку температуру акумулятора* 

*Червоний індикатор продовжуватиме блимати, а жовтий індикатор горітиме під час виконання цієї операції. Коли акумулятор досягне прийнятної температури, жовтий індикатор згасне, а зарядний пристрій відновить процес заряджання.

Сумісний зарядний пристрій не буде заряджати несправний акумулятор. Зарядний пристрій розпізнає несправний акумулятор і не ввімкне індикатор.

ПРИМІТКА. Це також може свідчити про проблему з зарядним пристроєм.

Якщо виявлено проблему із зарядним пристроєм, віднесіть зарядний пристрій та акумулятор для перевірки в авторизований сервісний центр.

Затримка через надмірно високу/низьку температуру акумулятора

Якщо зарядний пристрій визначає, що акумулятор є надмірно гарячим або холодним, він автоматично вмикає режим температурної затримки, припиняючи процес заряджання, доки акумулятор не досягне відповідної температури. Після досягнення прийнятної температури зарядний пристрій автоматично перемикається в режим заряджання акумулятора. Ця функція забезпечує максимальний термін служби акумулятора.

Холодний акумулятор буде заряджатися повільніше порівняно з теплим акумулятором. Акумулятор буде заряджатися повільніше протягом всього циклу зарядки та не повернеться до максимальної швидкості зарядки, навіть при нагріванні.

Зарядний пристрій DCB118 оснащений внутрішнім вентилятором, призначеним для охолодження акумулятора. Вентилятор автоматично вмикається, коли акумулятор потребує охолодження. Ніколи не використовуйте зарядний пристрій, якщо вентилятор працює неналежним чином або вентиляційні отвори заблоковані. Уникайте потрапляння сторонніх предметів у зарядний пристрій.

Електронна система захисту

Інструменти з літій-іонними акумуляторами XR розроблені з використанням електронної системи захисту, яка захищає акумулятор від перевантаження, перегрівання або глибокої розрядки.

Пристрій автоматично вимикається, якщо спрацює електронна система захисту. Якщо це сталося, встановіть літій-іонний акумулятор в зарядний пристрій до повного заряду.

Кріплення на стіну

Ці зарядні пристрої можна закріпити на стіні, чи поставити на стіл або іншу робочу поверхню. При кріпленні на стіну розташуйте зарядний пристрій недалеко від електричної розетки, а також подалі від кутів та інших перешкод, що заважають повітряному потоку. Скористайтеся задньою частиною зарядного пристрою в якості шаблону для розташування кріпильних гвинтів на стіні. Надійно зафіксуйте зарядний пристрій за допомогою шурупів (потрібно придбати окремо) довжиною що найменше 25,4 мм з голівкою діаметром 7-9 мм, що закручуються в дерев'яну поверхню до оптимальної глибини, щоб залишилося приблизно 5,5 мм. Вирівняйте отвори на задній поверхні зарядного пристрою з частиною шурупів, що виступає, після чого повністю вставте шурупи в отвори.

Інструкції з очищення зарядного пристрою

ПОПЕРЕДЖЕННЯ. **Небезпека ураження електричним струмом. Відключіть зарядний пристрій від розетки змінного струму перед його очищенням.**

Бруд та жир можна видалити з поверхні зарядного пристрою за допомогою тканини або м'якої неметалевої щітки. Не використовуйте воду та мийні розчини. Не дозволяйте рідині потрапляти всередину інструмента та ніколи не занурюйте деталі інструмента в рідину.

Акумулятор

Важливі інструкції з техніки безпеки для різних типів акумуляторів

При замовленні змінних акумуляторів не забудьте вказати номер за каталогом та напругу.

Новий акумулятор заряджений не повністю. Перед використанням акумулятора та зарядного пристрою прочитайте всі нижче наведені інструкції з техніки безпеки. Після цього виконайте вказані пункти процедури зарядки.

ПРОЧИТАЙТЕ ВСІ ІНСТРУКЦІЇ

- **Не заряджайте та не використовуйте акумулятор у вибухонебезпечних умовах, наприклад в присутності легкозаймистих рідин, газів або пилу.** При встановленні або знятті акумулятора з зарядного пристрою можуть спалахнути пил або випари.
- **На прикладайте зусилля, вставляючи акумулятор в зарядний пристрій. Жодним чином не модифікуйте акумулятор, аби встановити його в несумісний зарядний пристрій, адже акумулятор може розірватися та спричинити серйозні травми.**
- Заряджайте акумулятори лише за допомогою зарядних пристроїв DeWALT.
- **НЕ занурюйте акумулятор у воду та інші рідини та не бризкайте на нього.**
- **Не зберігайте та не використовуйте інструмент та акумулятор у місцях, де температура може опуститися нижче 4 °C (39,2 °F) (наприклад, біля гаражів або металевих будівель взимку) або сягати чи перевищувати 40 °C (104 °F) (наприклад, біля гаражів або металевих будівель влітку).**
- **Не спалюйте акумулятор, навіть якщо він сильно пошкоджений або повністю зношений.** Акумулятор може вибухнути у вогні. Коли літій-іонні акумулятори горять, утворюються токсичні випаровування та речовини.
- **Якщо вміст акумулятора потрапив на шкіру, негайно промийте це місце м'яким милом та водою.** Якщо рідина з акумулятора потрапила в очі, промийте відкрите око протягом 15 хвилин або доки подразнення не зникне. Якщо необхідно звернутися до лікаря, акумуляторний електроліт складається з суміші рідких органічних вуглекислих солей та солей літію.
- **Вміст відкритого акумулятора може спричинити подразнення дихальних шляхів.** Вийдіть на свіже повітря. Якщо симптоми не зникають, зверніться до лікаря.



ПОПЕРЕДЖЕННЯ. **Небезпека опіку.** Рідина з акумулятора може спалахнути, якщо на неї потрапить іскра або полум'я.



ПОПЕРЕДЖЕННЯ. **За жодних умов не намагайтесь відкрити акумулятор.** За будь-якого пошкодження акумулятора не встановлюйте його у зарядний пристрій. Не бийте, не кидайте та не пошкоджуйте акумулятор. Не використовуйте акумулятор та зарядний пристрій, якщо ті отримали різкий удар, впали або були пошкоджені іншим чином (наприклад, були проколоті цвяхом, вдарені молотком, на них наступили). Це може призвести до ураження електричним струмом. Пошкоджені акумулятори необхідно повернути в сервісний центр для переробки.



ПОПЕРЕДЖЕННЯ. **Небезпека виникнення пожежі. Зберігайте та переносіть акумулятор так, щоб металеві предмети не торкалися його відкритих контактів.** Наприклад, не кладіть акумулятор у фартух, кишені, ящики з інструментами, коробки з наборами приладдя, шухляди тощо, де можуть бути цвяхи, гвинти, ключі тощо.



УВАГА! **Коли інструмент не використовується, залишайте його на боці на стабільній поверхні в такому місці, де через нього не можна перечепитися та впасти.** Деякі інструменти з великими акумуляторами можуть стояти на акумуляторі, але їх можна легко перекинути.

Транспортування



ПОПЕРЕДЖЕННЯ. **Небезпека виникнення пожежі.** Під час перевезення акумуляторів може виникнути пожежа, якщо контакти акумулятора випадково вийдуть в контакт з електропровідним матеріалом. Під час перевезення акумуляторів переконайтесь, що їхні контакти захищені та добре ізольовані від матеріалів, які можуть увійти з ними в контакт та викликати коротке замикання. **ПРИМІТКА.** При перевезенні літій-іонних акумуляторів не можна здавати їх в багаж.

Акумулятори DeWALT відповідають всім нормам перевезення, описаним у галузевих та законодавчих положеннях, включно з рекомендаціями ООН про перевезення небезпечних вантажів, правилами перевезення небезпечних вантажів Міжнародної організації повітряного транспорту (IATA), міжнародними правилами перевезення небезпечних вантажів водним транспортом (IMDG) та Європейській угоді про міжнародне дорожнє перевезення небезпечних вантажів (ADR). Літій-іонні елементи живлення та акумулятори були перевірені відповідно до розділу 38.3 керівництва з тестів та критеріїв щодо перевезення небезпечних вантажів Рекомендації ООН.

У більшості випадків перевезення акумуляторів DeWALT може не класифікуватися як перевезення небезпечних речовин, що повністю підпадають під Клас 9. Загалом тільки вантажі, що містять літій-іонні акумулятори ємністю більше 100 ват-годин (Вт-год.), вимагають транспортування відповідно до норм перевезення небезпечних речовин, що повністю підпадають під Клас 9. На всі літій-іонні акумулятори нанесено значення ват-годин. Більше того, через складності законодавчих норм компанія DeWALT не рекомендує транспортування окремо літій-іонних акумуляторів повітряним транспортом, незалежно від показника ват-годин. Перевезення інструментів з акумуляторами (у комплекті) можна виконувати повітряним транспортом, якщо значення ват-годин не перевищує 100 Вт-год. Незалежно від того, чи підлягає вантаж регламентним вимогам чи відноситься до переліку їх виключень, вантажовідправник несе відповідальність за відповідність чинним вимогам щодо вимог до упакування, етикеток/маркування та документації. Інформація, що наводиться у цьому розділі посібника, сумлінно перевірена та вважається дійсною на момент складання документації. Проте чинні нормативи можуть підлягати

змінам. Покупець несе відповідальність за забезпечення дотримання у своїй діяльності законодавчих вимог.

Транспортування акумулятора FLEXVOLT™

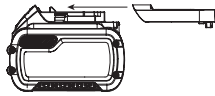
Акумулятор DEWALT FLEXVOLT™ має два режими: **використання і транспортування**.

Режим використання. При використанні акумулятора FLEXVOLT™ окремо або в комплекті з пристроєм DEWALT 18 В його потужність складає 18 В. Якщо акумулятор FLEXVOLT™ встановлено у пристрій потужністю 54 В або 108 В (два акумулятори 54 В), він буде працювати як акумулятор 54 В.

Режим транспортування. Якщо на акумулятор FLEXVOLT™ встановлено кришку, він знаходиться у режимі транспортування. Не знімайте цю кришку при транспортуванні.

У режимі транспортування послідовність електричних елементів акумулятора роз'єднана, що створює 3 акумулятори з меншим значенням ват-годин (Вт-год.) в порівнянні з 1 акумулятором із більшим значенням цього показника. Ці 3 акумулятори з нижчим значенням ват-годин можуть бути виключені з певних норм транспортування, що застосовуються для акумуляторів з більшим значенням ват-годин.

Наприклад, показник транспортування може бути 3 × 36 Вт-год, що означає 3 акумулятори по 36 Вт-год кожний. При цьому показник в режимі використання Вт-год може бути вказаний, як 108 Вт-год (1 акумулятор).



Приклад маркування способів використання та транспортування



Рекомендації щодо зберігання

1. Найкращим місцем для зберігання інструмента є прохолодне сухе місце, куди не потрапляють прямі сонячні промені та немає доступу тепла та холоду. Для забезпечення оптимальної продуктивності та терміну служби акумуляторів зберігайте їх при кімнатній температурі, коли вони не використовуються.
2. При тривалому зберіганні для оптимального результату рекомендується помістити повністю заряджений акумулятор у сухе прохолодне місце поза зарядним пристроєм.

Етикетки на зарядному пристрої та акумуляторі

Крім символів, що використовуються у цьому посібнику, етикетки на зарядному пристрої та акумуляторі можуть містити наведені нижче позначки:

Прочитайте інструкції цього посібника перед використанням.

Див. розділ **Технічні дані** щодо часу зарядки.

Уникайте контакту з електропровідними об'єктами.

Не заряджайте пошкоджені акумулятори.

Не піддавайте впливу води.

негайно замінійте пошкоджений шнур живлення

Заряджайте акумулятор за температури від 4 °C до 40 °C.

Для використання лише у приміщенні.

Утилізуйте акумулятори з належно турботою про навколишнє середовище.

Заряджайте акумулятори лише за допомогою спеціальних зарядних пристроїв DEWALT. Зарядка інших типів акумуляторів, крім DEWALT, за допомогою зарядного пристрою DEWALT може спричинити вибух акумулятора або інші небезпечні ситуації.

Не кидайте акумулятори у відкритий вогонь.

ВИКОРИСТАННЯ (без кришки для транспортування). Приклад: Значення Вт-год становить 108 Вт-год (1 акумулятор потужністю 108 Вт-год).

ТРАНСПОРТУВАННЯ (зі встановленою кришкою для транспортування). Приклад: Значення Вт-год становить 3 × 36 Вт-год (3 акумулятори потужністю 36 Вт-год).

Тип акумулятора

DCS781 працює від акумулятора 54 вольт.

Для експлуатації придатні акумулятори наступних моделей: DCB546, DCB547, DCB548. Див. додаткову інформацію у розділі «Технічні дані».

Комплект поставки

До комплекту входить:

- 1 DCS781 Торцювальна пилка
- 1 Стабілізаційна штанга
- 1 Пильний диск DEWALT діаметром 305 мм

- 2 Висувні столи
- 1 Затискач матеріалу
- 1 Зарядний пристрій (лише в комплекті)
- 1 Акумулятор (лише в комплекті)

У мішку:

- 1 Пилозбірник
- 1 Гайковий ключ
- 1 Посібник з експлуатації
- *Перевірте інструмент, деталі та приладдя на пошкодження, що могли виникнути під час транспортування.*
- *Перед використанням уважно прочитайте та повністю зрозумійте цей посібник.*

Маркування на інструменті

На інструменті є наступні піктограми:

- Прочитайте інструкції цього посібника перед використанням.
- Використовуйте засоби захисту органів слуху.
- Використовуйте засоби захисту очей.
- Тримайте руки подалі від диска.
- Тримайте руки на відстані щонайменше 100 мм від будь-якої сторони пильного диска.
- Не дивіться на джерело світла.

Точка перенесення.

Розташування коду дати (рис. С)

Код дати **64**, що включає також рік виробництва, наноситься на корпус.
2022 XX XX
Рік виробництва

Опис (рис. А)

ПОПЕРЕДЖЕННЯ. Ніколи не модифікуйте електричні інструменти та їх деталі. Це може призвести до пошкодження майна або тілесних ушкоджень.

- | | |
|---|------------------------------------|
| 1 Тригерний перемикач | 17 Отвір для пиловідведення |
| 2 Ручка управління | 18 Стіл |
| 3 Акумулятор | 19 Ручка фіксації голівки |
| 4 Кнопка виймання акумулятора | 20 Основа |
| 5 Монтажні отвори | 21 Перемикач XPS |
| 6 Нижній захисний кожух | 22 Смушкова гайка |
| 7 Ручка фіксації кута скосу | 23 Вертикальний затискач матеріалу |
| 8 Засувка фіксатора повороту | 24 Рейки |
| 9 Шкала скосу | 25 Обмежувач глибини |
| 10 Гвинти шкали скосу | 26 Накладка із прорізом |
| 11 Поглиблення для тримання рукою при транспортуванні | 27 Гвинт стрілки шкали скосу |
| 12 Напрямна | 28 Упор кута нахилу 0° |
| 13 Ручка фіксації кута нахилу | 29 Гвинт налаштування глибини |
| 14 Стабілізаційна штанга | 30 Ручка фіксації рейки |
| 15 Рукоятка для підйому | 31 Стрілка шкали скосу |
| 16 Ручка регулювання напрямної | 32 Подовжувач |

Сфера застосування

Ця акумуляторна компактна торцювальна пилка DEWALT призначена для професійного розпилювання деревини, виробів з дерева та пластмас. При використанні відповідних пильних дисків можливе також розпилювання алюмінію. За допомогою цієї пилки можна легко, точно й безпечно виконувати поперечне різання, різання з нахилом та різання під кутом.

Цей інструмент розроблений для використання з пильним диском номінального діаметру 305 мм із твердосплавними напайками.

НЕ використовуйте за умов підвищеної вологості або у присутності легкозаймистих рідин та газів.

Ці торцювальні пилки є професійними інструментами.

НЕ дозволяйте дітям торкатися інструмента. Використання інструмента недосвідченими операторами потребує нагляду.

ПОПЕРЕДЖЕННЯ. Використовуйте інструмент лише за призначенням.

- **Діти та люди з обмеженими можливостями.** Цей пристрій не призначений для використання дітьми та особами з обмеженими фізичними або розумовими можливостями без нагляду.

- Цей пристрій не призначений для використання особами (включаючи дітей) із зниженими фізичними, сенсорними або розумовими можливостями або особами, яким бракує досвіду або знань за винятком випадків, коли такі особи працюють під наглядом особи, яка несе відповідальність за їх безпеку. Не можна залишати дітей наодинці з цим пристроєм.

Ознайомлення (Рис. А, D)

Ваша торцювальна пила повністю зібрана в картонній коробці. Інструкції з монтажу див. у розділах «**Встановлення висувних столів**» та «**Встановлення стабілізаційної штанги**». Відкрийте коробку і підніміть пилку за зручну рукоятку для підйому **15**, як показано на рисунку D.

Розмістіть пилку на гладкій рівній поверхні, наприклад, на верстаті або міцному столі.

Розгляньте рисунок А, щоб ознайомитися з пилою і її різними частинами. Розділ про коригування буде посилатися на ці терміни, і ви повинні знати деталі і де вони знаходяться.

УВАГА! *Небезпека затиснення. Щоб зменшити ризик отримання травм, тримайте великий палець під ручкою, коли тягнете її вниз. Нижній кожух буде рухатися вгору по мірі того, як ручка буде опускати вниз, що може привести до затиснення. Ручка розташована поряд із захисним кожухом для виконання спеціальних розрізів.*

Злегка натисніть на ручку управління **2**, потягніть ручку фіксації голівки **19** і поверніть на 90°. Обережно послабте тиск і утримуйте руку, щоб ручка піднялася на повну висоту. При перенесенні пилки з одного місця в інше використовуйте ручку фіксації голівки. Завжди використовуйте рукоятку для підйому **15** або поглиблення для тримання рукою для транспортування пилки **11**, як показано на рисунку А.

Використання світлодіодної системи робочого освітлення CUTLINE™ (рис. А)

УВАГА! *Не дивіться на джерело робочого світла. Це може призвести до серйозного пошкодження очей.*

ПРИМІТКА. Необхідно зарядити та підключити акумулятор до торцювальної пилки. Світлодіодна система робочого освітлення CUTLINE™ може вмикатися за допомогою перемикача миттєвої дії **21**. Світло автоматично вимикається упродовж 20 секунд, якщо пила не використовується. Світло також автоматично вмикається кожен раз, коли натиснуто головний тригер інструмента **1**.

Щоб прорізати наявну накреслену лінію на шматку дерева, увімкніть світлодіодну систему робочого освітлення CUTLINE™ за допомогою перемикача миттєвої дії **21** (а не головного тригера), після чого потягніть ручку управління **2** вниз, щоб наблизити пильний диск до деревини. На деревині з'явиться тінь від диска. Ця лінія тіні показує матеріал, який пильний диск видалить під час розрізу. Щоб правильно розташувати розріз по накресленій лінії, сумістіть накреслену лінію з краєм тіні від диска. Майте на увазі, що вам, можливо, доведеться відрегулювати кут скосу або нахилу, щоб точно відповідати накресленій лінії.

Ваша пила оснащена функцією відмови акумулятора. Лампа робочого освітлення CUTLINE™ починає блимати, коли заряд акумулятора підходить до кінця або коли акумулятор занадто гарячий. Зарядіть акумулятор перед продовженням різання. Вказівки щодо заряджання акумулятора див. в пункті «**Процедура заряджання**» розділу «**Важливі вказівки з безпеки для всіх акумуляторів**».

Регулювання скосу (рис. А)

Важіль фіксації скосу та засувка фіксації скосу дозволяють повертати пилку на 60° праворуч та на 50° ліворуч. Щоб повернути пилку, підніміть важіль фіксації скосу **7**, натисніть засувку фіксації скосу **8** і встановіть потрібний кут скосу **9** на шкалі скосу **31**. Натисніть на важіль фіксації скосу, щоб зафіксувати кут скосу.

МОНТАЖ ТА НАЛАШТУВАННЯ

УВАГА! *ПОПЕРЕДЖЕННЯ. Щоб знизити ризик серйозних тілесних ушкоджень, вимкніть інструмент та відключіть акумулятор перед виконанням будь-яких налаштувань або змінням/встановленням додаткового обладнання або приладдя. Випадковий запуск може призвести до тілесних ушкоджень.*

УВАГА! *ПОПЕРЕДЖЕННЯ. Використовуйте лише акумулятори та зарядні пристрої фірми DEWALT.*

Встановлення висувних столів (рис. Е)

УВАГА! *ПОПЕРЕДЖЕННЯ. Перед використанням пилки необхідно встановити висувні столи з обох сторін.*

- Висувні столи **32** мають бути встановлені відповідно до рисунку Е, повністю увійшовши в U-подібні опори. Не використовуйте пилку без правильно встановлених висувних столів!
- Притисніть стрижні висувних столів до основи торцювальної пилки, повністю вставивши і затягнувши гвинти **63**.
- Повторіть кроки 1–2 для кожної сторони.

Встановлення на верстак (рис. А)

Монтажні отвори **5** передбачені у всіх 4 ніжках для полегшення прикріплення до верстака, як показано на рисунку А. (Передбачено два отвори різного розміру для розміщення гвинтів різного розміру. Скористайтесь будь-яким отвором, не обов'язково використовувати обидва отвори.) Завжди добре закріплюйте інструмент на стабільній поверхні, щоб він не рухався. Для збільшення мобільності пилки можна спочатку

прикріпити пилу до листа фанери товщиною не менше 12,7 мм, після чого лист можна прикріпити до робочої опори або перенести й установити в іншому місці.

ПРИМІТКА. Для кріплення пилки до листа фанери спочатку переконайтеся, що кріпильні болти не виступають знизу деревини. Лист має бути врівень із робочою опорю. Коли ви прикріплюєте пилу до будь-якої поверхні, фіксуйте її лише в тих місцях, де розташовані кріпильні отвори. Кріплення в інших точках неодмінно буде заважати роботі.

УВАГА! *Щоб уникнути заїдання і неточностей обробки, кріпильна поверхня має бути рівною та плоскою. Якщо пила хитається на поверхні, підкладіть під її опору тонкі шматки матеріалу, щоб стабілізувати пилку на монтажній поверхні.*

Встановлення стабілізаційної штанги (рис. F)

В комплект поставки пилки входить стабілізаційна штанга **14**. Він має бути встановлений до початку експлуатації пилки. Вставте стабілізаційну штангу в отвори в задній частині інструмента. Посувайте стабілізаційну штангу туди-сюди, доки вона не торкнеться робочої поверхні. Після цього затягніть гвинти **62** основи, щоб зафіксувати стабілізаційну штангу на місці.

Заміна чи встановлення нового пильного диска (рис. А, G)

УВАГА! *ПОПЕРЕДЖЕННЯ. Щоб знизити ризик серйозних травм, вимкніть інструмент, вийміть акумулятор та переведіть важіль фіксації в транспортне положення перед транспортуванням, виконанням будь-яких налаштувань, очищенням, ремонтом або зніманням/встановленням додаткового обладнання чи приладдя. Випадковий запуск може призвести до тілесних ушкоджень.*

УВАГА! *ПОПЕРЕДЖЕННЯ. Для зниження ризику травмування одягайте рукавиці під час роботи з пильним диском.*

УВАГА!

- Ніколи не натискайте кнопку фіксації шпинделя, коли пильний диск знаходиться під напругою або рухається за інерцією.
- Забороняється різати чорний метал (такий, що містить залізо або сталь), цеглу або фібробемент за допомогою цієї торцювальної пилки.

УВАГА! *ПОПЕРЕДЖЕННЯ. Пам'ятайте, що пильний диск можна замінювати лише описаним способом. Використовуйте лише пильні диски, вказані в розділі «Додаткове приладдя».*

Зняття пильного диска (Рис. А, G)

- Вийміть акумулятор **3** з пилки.
- Підніміть важіль в верхнє положення і підніміть нижній захисний кожух **6** якомога вище.
- Натисніть кнопку фіксації шпинделя **36**, обережно повертаючи пильний диск рукою, поки він не зафіксується.
- Пальцем поверніть пластину гвинта пильного диска **38**, щоб отримати доступ до голівки гвинта кріплення пильного диска **40**.
- Утримуючи кнопку фіксації шпинделя натиснутою, а пластину гвинта пильного диска відсунутою, послабте гвинт кріплення пильного диска за допомогою гайкового ключа **37**, що входить до комплекту поставки. (Ліве різьблення, повертайте за годинниковою стрілкою.) Витягніть гвинт кріплення пильного диска.
- Зніміть зовнішню затиску шайбу, адаптер пильного диска та пильний диск.

Встановлення пильного диска (рис. А, G)

- Вийміть акумулятор **3** з пилки.
- Підніміть різальну голівку в верхнє положення і підніміть нижній захисний кожух **6** якомога вище. Встановіть пильний диск **39** на шпиндель, потім встановіть адаптер пильного диска **59** та зовнішню затиску шайбу **57**. Переконайтеся, що напрям стрілки на пильному диску відповідає напрямку стрілки на пластині захисного кожуха.
- Натисніть кнопку фіксації шпинделя **36**, обережно повертаючи пильний диск рукою, поки він не зафіксується.
- Пальцем поверніть пластину гвинта пильного диска **38**, щоб отримати доступ до голівки гвинта кріплення пильного диска **40**.
- Утримуючи кнопку фіксації шпинделя натиснутою, а пластину гвинта пильного диска відсунутою, надійно затягніть гвинт кріплення пильного диска за допомогою гайкового ключа **37**, що входить до комплекту поставки. (Ліве різьблення, проти годинникової стрілки.)

Заміна накладки із прорізом (рис. А)

- Щоб зняти накладку із прорізом **26**, викрутіть гвинти, які її утримують, та встановіть нову накладку із прорізом.
- Встановіть гвинти на місце та закрутіть, дотримуючись такої послідовності: Спочатку в круглі отвори, розташовані посередині від торців, потім в отвори на краях. Регулювання не вимагається.

Регулювання шкали скосу (рис. А, H)

Розблокуйте ручку фіксації кута скосу **7** та повертайте важіль скосу, доки засувка фіксації скосу **8** не заблокує її в положенні скосу 0°. Не блокуйте ручку фіксації кута скосу. Прикладіть косинець до напрямної пилки та до диска, як показано на рисунку. (Не торкайтесь краю зубців пильного полотна косинцем. Це призведе до неточності вимірювання.) Якщо диск пилки не точно перпендикулярний до напрямної **12**, ослабте чотири гвинти **10**, які утримують шкалу скосу, і переміщуйте ручку фіксації кута скосу та шкалу ліворуч або праворуч, доки диск не стане перпендикулярним до напрямної, що вимірюється косинцем. Знов закріпіть чотири гвинти. На цьому етапі не звертайте увагу на стрілку шкали скосу.

Налаштування стрілки шкали скосу (Рис. А)

Розблокуйте ручку фіксації кута скосу **7** для переміщення важеля скосу в нульове положення. Коли ручка фіксації кута скосу розблокована, натисніть засувку фіксації скосу **8** і дозвольте їй встати на місце, обертаючи важіль скосу до нуля. Зверніть увагу на стрілку **31** та шкалу скосу **9**, показані на рисунку А. Якщо стрілка не вказує точно на нуль, послабте гвинт стрілки **27** та, утримуючи стрілку на місці, встановіть її на місце і затягніть гвинт.

Кут нахилу відносно столу (рис. А, I, J)

Щоб вирівняти кут нахилу диска відносно столу **18**, зафіксуйте важіль в нижньому положенні за допомогою стопорного штифта **19**. Прикладіть косинець до диска, переконавшись, що він не знаходиться на верхівці зубця. Відпустіть ручку фіксації кута нахилу **13** і переконайтеся, що важіль щільно прилягає до упора кута нахилу **0**. Поверніть гвинт регулювання кута нахилу **0° 42** за допомогою гайкового ключа на **6** мм таким чином, щоб диск був нахилений на **0°** відносно столу.

Стрілка кута нахилу (рис. J)

Якщо стрілка кута нахилу **43** не вказує на нуль, послабте гвинт **44**, який тримає її на місці, і перемістіть стрілку за необхідності. Переконайтеся в правильності кута нахилу **0°**, а також в тому, що стрілки кута нахилу встановлені перед тим, як регулювати будь-які інші гвинти кутів нахилу.

Регулювання перемикача ручного керування нахилом 45° ліворуч або праворуч (рис. А, J)

Щоб відрегулювати кут нахилу **45°**, відпустіть ручку фіксації кута нахилу **13**, потягніть перемикач ручного керування нахилом **0°** та поверніть його на **90°** для ручного керування нахилом **0°**. При крайньому правому положенні пилки, якщо стрілка кута нахилу не вказує точно на **45°**, повертайте лівий гвинт регулювання нахилу **45° 45** за допомогою гайкового ключа на **6** мм, доки стрілка кута нахилу не буде вказувати на **45°**. Щоб відрегулювати упор кута нахилу **45°**, спочатку відпустіть ручку фіксації кута нахилу і нахиліть голівку ліворуч. Якщо стрілка кута нахилу не вказує точно на **45°**, повертайте правий гвинт регулювання нахилу **45° 45**, доки стрілка кута нахилу **43** не буде вказувати на **45°**.

Регулювання перемикача ручного керування нахилом 22,5° (або 33,9°) (Рис. А, J)

ПРИМІТКА. Відрегулюйте кути нахилу лише після встановлення кута нахилу **0°** та регулювання стрілки кута нахилу.

- Щоб встановити кут нахилу **22,5°** ліворуч, відкиньте лівий затиск нахилу **22,5° 47**. Послабте ручку фіксації кута нахилу **13** і нахиліть голівку ліворуч. Якщо стрілка кута нахилу не вказує точно **22,5°**, повертайте гвинт регулювання карниза **46** за допомогою гайкового ключа на **10** мм, доки стрілка кута нахилу не буде вказувати на **22,5°**.
- Щоб відрегулювати кут нахилу **22,5°** справа, відкиньте правий затиск нахилу **22,5°**. Відпустіть ручку фіксації кута нахилу, потягніть перемикач ручного керування нахилом **0°** та поверніть його на **90°** для ручного керування нахилом **0°**. При крайньому правому положенні пилки, якщо стрілка кута нахилу не вказує точно на **22,5°**, повертайте гвинт регулювання карниза за допомогою гайкового ключа на **10** мм, доки стрілка кута нахилу не буде вказувати на **22,5°**.

Регулювання напрямної (Рис. А)

Для того, щоб пилку можна було нахилити під різними кутами, слід відрегулювати напрямні для забезпечення вільного простору. Щоб відрегулювати кожну напрямну, послабте ручку регулювання напрямної **16** та просуньте напрямну назовні. Виконайте імітацію різання, не вмикаючи двигун, і перевірте зазор. Встановіть направляючу якомога ближче до диску, щоб забезпечити максимальний упор для заготовки, але щоб вона не заважала переміщенню консолі вгору та вниз. Надійно затягніть ручку регулювання напрямної. Після завершення операцій з нахилом не забудьте перенести напрямну.

Для певних розрізів бажано наблизити напрямні до диска. Щоб скористатися цією функцією, поверніть ручки регулювання напрямної на два оберти та перемістіть напрямні ближче до пильного диска, за встановлені межі, а потім затягніть ручки регулювання напрямної, щоб зафіксувати напрямні в цьому положенні. Використовуючи цю функцію, спершу зробіть сухий зріз, щоб уникнути контакту диска з напрямними.

ПРИМІТКА. Пази напрямних можуть забруднитися. Якщо ви помітили, що пази напрямних засмічуються, очистіть їх за допомогою щітки або повітря під низьким тиском.

Використання захисного кожуха та видимість (рис. А, Z)

УВАГА! *Небезпека затиснення. Щоб зменшити ризик отримання травм, тримайте великий палець під рукою, коли тягнете її вниз. Якщо ручку тягнути вниз, нижній захисний кожух буде рухатися вгору, що може викликати затиснення.*

Нижній захисний кожух **6** на пилці призначений для автоматичного відкривання диска при опусканні важеля і для закривання диска при піднятті важеля.

Кожух можна підняти вручну для заміни дисків або для огляду пилки. **НІКОЛИ НЕ ПІДНІМАЙТЕ НИЖНІЙ ЗАХИСНИЙ КОЖУХ ВРУЧНУ ДО ЗУПИНКИ ДИСКА.**

ПРИМІТКА. Певні спеціальні розрізи матеріалу великих розмірів вимагають ручного піднімання захисного кожуху. Див. пункт «Різка великого матеріалу» розділу «Спеціальні розрізи».

Передня частина захисного кожуха має решітку, що покращує видимість при розпилюванні. Хоча жалюзі значно зменшують розлітання сміття, кожух має отвори. Під час огляду через жалюзі слід завжди одягати захисні окуляри.

Регулювання напрямних рейок (рис. А, F)

Періодично перевіряйте рейки **24** на наявність люфту або зазору. Праву рейку можна відрегулювати за допомогою гвинта регулювання **33**, як показано на рисунку F. Для зменшення зазору використовуйте шестигранний ключ на **4** мм і поступово повертайте гвинт регулювання за годинниковою стрілкою, одночасно зсуваючи різальну голівку вперед-назад. Зменшіть зазор, зберігаючи мінімальну силу ковзання.

Регулювання ручки фіксації кута скосу (Рис. А, K)

Шток ручки фіксації кута скосу **48** необхідно відрегулювати, якщо при заблокованій (вниз) ручці фіксації кута скосу **7** стіл пилки можна перемістити. Щоб відрегулювати ручку фіксації кута скосу **49**, розблокуйте її (вгору). За допомогою щільної викрутки затягніть шток ручки фіксації кута скосу, повертаючи його за годинниковою стрілкою з кроком **1/8**, щоб збільшити ступінь фіксації. Щоб пересвідчитися, що ручка фіксації кута скосу функціонує належним чином, знову заблокуйте ручку фіксатора скоса під нетиповим кутом скоса – наприклад, **34°** – і переконайтеся, що стіл не повертається.

Транспортування пилки (рис. А)

ПОПЕРЕДЖЕННЯ. *Щоб знизити ризик серйозних травм, вимкніть інструмент, вийміть акумулятор та переведіть важіль фіксації в транспортне положення перед транспортуванням, виконанням будь-яких налаштувань, очищенням, ремонтом або зніманням/установленням додаткового обладнання чи приладдя. Випадковий запуск може призвести до тілесних ушкоджень.*

ПОПЕРЕДЖЕННЯ. *Щоб знизити ризик серйозного травмування, ЗАВЖДИ фіксуйте ручку фіксації рейки **30**, важіль фіксації скосу **7**, ручку фіксації кута нахилу **13**, ручку фіксації голівки **19** і ручки регулювання напрямної **16** перед транспортуванням пилки.*

Для зручності переміщення торцювальної пилки з місця на місце у верхній частині пильної рами встановлена рукоятка для підйому **15**, а в нижній частині поглиблення для тримання рукою **11**.

Ручка фіксації голівки (рис. А)

ПОПЕРЕДЖЕННЯ. *Ручку фіксації голівки слід використовувати ТІЛЬКИ при перенесенні або зберіганні пилки. НІКОЛИ не використовуйте ручку фіксації для будь-яких операцій різання.*

Щоб зафіксувати різальну голівку в нижньому положенні, опустіть голівку, поверніть ручку фіксації голівки **19** на **90°**, щоб підпружинений штифт зафіксувався, та відпустіть різальну голівку. Це дозволить безпечно утримувати різальну голівку внизу при переміщенні пилки з місця на місце.

Щоб відпустити, натисніть на різальну голівку, витягніть ручку фіксації голівки та поверніть її на **90°**.

ФУНКЦІЇ ТА ЕЛЕМЕНТИ КЕРУВАННЯ

ПОПЕРЕДЖЕННЯ. *Щоб знизити ризик серйозних травм, вимкніть інструмент, вийміть акумулятор та переведіть важіль фіксації в транспортне положення перед транспортуванням, виконанням будь-яких налаштувань, очищенням, ремонтом або зніманням/установленням додаткового обладнання чи приладдя. Випадковий запуск може призвести до тілесних ушкоджень.*

Ручка фіксації кута нахилу (рис. А)

Ручка фіксації кута нахилу **13** дозволяє нахилити пилку на **49°** ліворуч або праворуч. Для налаштування кута нахилу поверніть ручку фіксації кута нахилу проти годинникової стрілки. Різальна голівка легко нахилиться ліворуч або праворуч після витягування важеля ручного керування нахилом **0° 28** в положення **0°**. Щоб затягнути, поверніть ручку фіксації кута нахилу за годинниковою стрілкою.

Важіль ручного керування нахилом 0° (рис. А)

Перемикач ручного керування нахилом дозволяє нахилити пилку праворуч від позначки **0°**.

При увімкненні пилка автоматично зупиняється на **0°**, коли піднімається зліва. Щоб тимчасово переміститися на **0°** праворуч, потягніть упор кута нахилу **0° 28**, поверніть його на **90°** (або за годинниковою, або проти годинникової стрілки) та відпустіть, щоб підпружинений штифт зафіксувався.


Щоб повернути упор кута нахилу **0°**, потягніть ручку фіксації кута нахилу, поверніть її на **90°** (або за годинниковою, або проти годинникової стрілки) та відпустіть, щоб підпружинений штифт зафіксувався.

Перемикач ручного керування нахилом 45° (Рис. J)


З кожного боку пилки є два перемикача ручного керування нахилом **50**. Щоб нахилити пилку ліворуч або праворуч на **45°**, натисніть важіль ручного керування нахилом **45** у зворотньому положенні. У зворотньому положенні пилка може нахилитись повз ці упори. Якщо потрібні упори під кутом **45°**, потягніть важіль ручного керування нахилом **45°** вперед.

Затиски нахилу карниза (рис. J)

Якщо форма для різання карнизів лежить на плоскій поверхні, ваша пилка дозволяє точно та швидко встановити ліворуч чи праворуч упор для карниза (див. «Інструкція з різання карнизів при укладанні на плоску поверхню і використання властивостей комбінування»). Затиск нахилу карниза **51** можна повернути, щоб отримати доступ

до гвинта налаштування карниза **46**. Відповідно до заводських налаштувань пилка призначена для різання стандартних карнизів Північної Америки (52/38), але ці налаштування можна змінити для нестандартних карнизів (45/45). Щоб перевернути затиск нахилу карниза, зніміть кріпильний гвинт, затиск нахилу **22,5°** і затиск нахилу карниза **30°**. Переверніть затиск нахилу карниза, щоб напис **33,9°**  був спрямований вгору. Встановіть гвинт на місце, щоб закріпити затиск нахилу **22,5°** та затиск нахилу карниза. На налаштування точності це не вплине.

Затиски нахилу **22,5°** (рис. J)

Ваша пилка має функцію швидкого і точного налаштування нахилу **22,5°** ліворуч або праворуч. Затиск нахилу **22,5°**  можна повернути, щоб отримати доступ до гвинта налаштування карниза.

Ручка фіксації рейки (рис. A)

Ручка фіксації рейки **30** дозволяє надійно зафіксувати різальну головку, щоб вона не ковзала по рейках. Це необхідно при виконанні певних розрізів або при транспортуванні пилки.

Обмежувач глибини (рис. A)

Обмежувач глибини **25** дозволяє обмежити глибину різання диска. Обмежувач корисний для таких застосувань, як вирізання канавок і високі вертикальні розрізи. Поверніть обмежувач глибини вперед і відрегулюйте гвинт регулювання глибини **29**, щоб встановити бажану глибину різання. Щоб зафіксувати налаштування, затягніть смушкову гайку **22**. Обертання обмежувача глибини в задній частині пилки дозволяє обійти функцію обмежувача. Якщо гвинт регулювання глибини занадто туго затягнутий, щоб його можна було відкрутити вручну, то для його відкручування можна використовувати гайковий ключ з комплекту поставки.

Важіль блокування висування (рис. L1–L3)

Важіль блокування засувки (рис. L1)

Важіль блокування висування **61** у передньому положенні фіксує пилку для максимально ефективного вертикального різання.

Транспортне положення (рис. L2)

Важіль блокування висування **61** у задньому положенні фіксує пилку у транспортному положенні для надійного закріплення різальної голівки під час транспортування і зберігання. Рекомендовано під час транспортування і перенесення пилки.

Положення зберігання (рис. L3)

Коли інструмент не використовується, важіль блокування висування **61** можна перевести в положення зберігання. Важіль блокування висування фіксується на місці за допомогою відступу на задній частині важеля, який ковзає вгору по рампі та потрапляє в литу кишеню **65**. Щоб розблокувати важіль, обережно витягніть його з литої кишені і поверніть за годинниковою стрілкою.

Автоматичне електричне гальмо


Ваша пилка оснащена автоматичним електричним гальмом, яке зупиняє пильний диск за 5 секунд після відпускання вимикача. Час гальмування неможливо налаштувати.

Іноді може виникати затримка після відпускання вимикача до спрацювання гальма. В поодиноких випадках гальмо може зовсім не спрацювати і пильний диск зупиниться після руху за інерцією.

Якщо виникає затримка або гальмо зовсім «не спрацьовує», вимкніть та увімкніть пилку 4 або 5 разів. Якщо така ситуація буде повторюватись, зверніться до офіційного сервісного центру DeWALT.

Завжди слідкуйте за тим, щоб пильний диск зупинився перед витягуванням його з розрізу. Гальмо не є заміною захисних кожухів і не гарантує вам повної безпеки.

Передавач Wireless Tool Control (Рис. A)

 **УВАГА!** Прочитайте всі застереження щодо безпечного користування, інструкції та специфікації до пристрою, що входить до комплекту поставки інструмента.

Цей інструмент оснащено передавачем Wireless Tool Control, що дає змогу з'єднати його по бездротовій мережі з іншим пристроєм Wireless Tool Control, наприклад пилосмоком. Щоб з'єднати інструмент з іншим пристроєм Wireless Tool Control по бездротовій мережі, натисніть та утримуйте тригерний перемикач **1** на інструменті та кнопку з'єднання Wireless Tool Control на іншому пристрої. Про успішне з'єднання вашого інструмента повідомить світлодіод на іншому пристрої.

Перед експлуатацією

- Встановіть висувні столи з обох сторін підставки пилки. Див. розділ **Встановлення висувних столів**.
- Перевірте захисну кришку ремня на наявність пошкоджень та належність функціонування нижнього кожуха.
- Обов'язково використовуйте накладку із прорізом. Не використовуйте інструмент, якщо розріз накладки перевищує 12 мм в ширину.
- Встановіть відповідне пильне полотно. Не використовуйте пильні диски, які занадто зношені. Максимальна допустима швидкість обертання, що вказана на пильному диску, повинна бути не меншою за максимальну швидкість обертання шпинделя торцювальної пилки.
- Переконайтесь, що всі поворотні рукоятки та фіксатори затягнені.
- Використовуйте засоби індивідуального захисту та підключіть пилу до зовнішньої системи видалення пилу.
- Хоча ця пилка може працювати з деревиною та багатьма кольоровими металами, ці інструкції з використання стосуються лише роботи з деревом. Такі самі інструкції


підходять і для інших матеріалів. Не розрізайте чорні метали (залізо або сталь), фіброцемент, а також цеглу цією пилкою!

- Не намагайтесь розпилювати занадто малі заготовки.
- Зафіксуйте заготовку.
- Дозвольте пильному диску вільно різати. Не прикладайте надмірних зусиль.
- Не починайте роботу, доки двигун не набере обертів.


РЕЖИМ РОБОТИ

Інструкції з використання

 **ПОПЕРЕДЖЕННЯ.** Завжди дотримуйтесь усіх інструкцій з техніки безпеки та відповідних норм.

 **ПОПЕРЕДЖЕННЯ.** Щоб знизити ризик серйозних тілесних ушкоджень, вимкніть інструмент та відключіть акумулятор перед виконанням будь-яких налаштувань або змінням/встановленням додаткового обладнання або приладдя. Випадковий запуск може призвести до тілесних ушкоджень.

Встановлення та виймання акумуляторів (рис. A)


 **ПОПЕРЕДЖЕННЯ.** Перед установкою акумуляторів переконайтесь, що інструмент/прилад знаходиться у положенні вимкнення.


ПРИМІТКА. Для забезпечення найкращих результатів, перед використанням слід переконавшись, що акумулятор повністю заряджений.

Щоб встановити акумулятор **3** в ручку інструмента, вирівняйте акумулятор по напрямних у ручці інструмента. Просуньте його в ручку до щільного закріплення в інструменті. Переконайтесь, що він не від'єднаний.

Щоб вийняти акумулятор з інструмента, натисніть і утримуйте кнопку розблокування **4** та вийміть акумулятор з ручки інструмента. Вставте акумулятор у зарядний пристрій, як описано у розділі щодо зарядного пристрою цього керівництва.

Положення тіла та рук (рис. M)

 **ПОПЕРЕДЖЕННЯ.** Щоб знизити ризик серйозних тілесних ушкоджень, **ЗАВЖДИ** правильно розташуйте руки, як показано.

 **ПОПЕРЕДЖЕННЯ.** Щоб знизити ризик серйозних травм, **ЗАВЖДИ** добре тримайте інструмент, щоб попередити випадкову віддачу.

Вірне розташування тіла та рук при роботі з торцювальною пилкою робить різання простішим, більш точним та більш безпечним. Ніколи не розташуйте руки біля пильних поверхонь. Не розташуйте руки ближче ніж 100 мм від пильного диска. Добре притискайте заготовку до столу та напрямної при розрізанні. Утримуйте руки в тому ж положенні до відпускання вимикача та повної зупинки пильного диска. **ЗАВЖДИ ВИКОНУЙТЕ ІМІТАЦІЮ РІЗАННЯ (БЕЗ ЖИВЛЕННЯ) ПЕРЕД ПОЧАТКОМ РОЗРІЗУ, ЩОБ ВИ МОГЛИ ПОБАЧИТИ ШЛЯХ ПИЛЬНОГО ДИСКА. НЕ СХРЕЩУЙТЕ РУКИ, ЯК ПОКАЗАНО НА РИС. M.**


Утримуйте обидві ноги на підлозі та утримуйте рівновагу. При пересуванні важеля скосу вліво та вправо стежте за ним та стійте трошки в стороні від пильного диска. При русі по накресленій лінії дивіться крізь захисні жалюзі.

Тригерний перемикач (рис. N)

Щоб увімкнути пилку, переведіть важіль блокування **41** ліворуч, а потім натисніть тригерний перемикач **1**. Пилка працюватиме, доки перемикач буде залишатись натисненим. Дозвольте інструменту досягти повної робочої швидкості до того, як зробити розріз. Щоб вимкнути пилу, відпустіть тригерний перемикач. Перш ніж підняти різальну голівку, дайте пилці зупинитись. Блокування включення не передбачене. Тригер має отвір **52**, що дозволяє повісити замок та заблокувати перемикач.

Завжди слідкуйте за тим, щоб пильний диск зупинився перед витягуванням його з розрізу.

Видалення пилу (рис. O)

 **ПОПЕРЕДЖЕННЯ.** Щоб знизити ризик серйозних травм, вимкніть інструмент, вийміть акумулятор та переведіть важіль фіксації в транспортне положення перед транспортуванням, виконанням будь-яких налаштувань, очищенням, ремонтом або змінням/встановленням додаткового обладнання чи приладдя. Випадковий запуск може призвести до тілесних ушкоджень.

 **УВАГА!** Ніколи не працюйте з цією пилою без пилосбірника або пилососа DeWALT. Деревний пил може представляти небезпеку для дихання.

Пил від таких матеріалів, як покриття, що містять свинець, і деякі породи деревини, може завдати шкоди здоров'ю. Вдихання пилу може викликати алергічні реакції та/або привести до респіраторних інфекцій у користувача або сторонніх осіб. Певні види пилу, такі як дубовий або буківий пил, вважаються канцерогенними, особливо у поєднанні з добавками для обробки деревини.

При роботі з матеріалами дотримуйтесь правил, що діють у вашій країні. Пилосос має відповідати оброблюваному матеріалу.

При сухому прибиранні пилосмоком, особливо шкідливого для здоров'я або канцерогенного пилу, використовуйте пилосос класу M.

Ця пилка має вбудований отвір для пилосбірника **17**, який дозволяє встановлювати сумісну систему видалення пилу Airlock™.

Прикріплення пилосбірника (Рис. P)

- Прикріпіть пилосбірник **53** до порту для видалення пилу **17**, як зображено на рис. P.

Випорожнення пилозбірника (рис. P)

- Зніміть пилозбірник **53** з пилки. Щоб випорожнити пилозбірник, акуратно потрусіть або постукайте по ньому.
- Прикріпіть пилозбірник назад до порту для видалення пилу **17**.

Ви можете помітити, що не весь пил вдалося усунути з пилозбірника. Це не вплине на ефективність різання, але призведе до зниження коефіцієнту пилоуловлювання пилки. Щоб відновити коефіцієнт пилоуловлювання пилки, під час випорожнення пилозбірника натискайте на пружину всередині нього та стукайте ним по краю баку для сміття або контейнеру для пилу.

Наскрізні операції (рис. A)

Якщо повзунок не використовується, переконайтеся, що різальна голівка відсунута якнайдалі назад і ручка фіксації рейки натягнута. Це запобіжить ковзанню пилки по рейках при фіксації заготовки.

ПРИМІТКА. Хоча ця пилка може працювати з деревиною та багатьма кольоровими металами, ми обмежимося лише детальною інформацією щодо різання деревини. Такі самі інструкції підходять і для інших матеріалів. НЕ РОЗРІЗУЙТЕ ЧОРНІ МЕТАЛИ (ЗАЛІЗО АБО СТАЛЬ), А ТАКОЖ ЦЕГЛУ ЦІЄЮ ПИЛКОЮ. Не використовуйте абразивні диски.

ПРИМІТКА. Див. пункт «Використання захисного кожуха та видимість» розділу «Монтаж та налаштування», щоб отримати важливу інформацію про нижній захисний кожух перед різанням.

Поперечні розрізи (рис. A, Q)

Торцювання виконується шляхом різання деревини під будь-яким кутом поперек волокон. Пряме торцювання виконується з важелем скоусу в нульовому положенні. Встановіть і заблокуйте важіль скоусу на нуль, міцно притисніть деревину до столу і напрямної. Затягнувши ручку фіксації рейки, включіть пилку, натиснувши тригерний перемикач **1**, як показано на рис. A.

Коли пилка набере швидкість (близько 1 секунди), плавно і повільно опустіть важіль для розпилу деревини. Перед тим як підняти різальну голівку, дайте диску повністю зупинитися.

При різанні заготовок розміром понад 51 x 203 мм (51 x 152 мм при куті скоусу на 45°) використовуйте рух назад при ослабленій ручці фіксації рейки. Потягніть пилку на себе, опустіть різальну голівку вниз до заготовки і повільно штовхайте пилку назад, щоб завершити різання. Не допускайте контакту пилки з верхньою частиною заготовки при витягуванні. Пилу може відкинути до вас, що може призвести до тілесних ушкоджень або пошкодження заготовки.

Не рекомендується різання декількох заготовок, але воно може бути виконане безпечно, якщо переконаєтеся, що кожна заготовка міцно прикріплена до столу і напрямної.

ПРИМІТКА. Для поліпшення торцювання з меншим ходом, пильний диск на DCS781 просувають глибше в стіл. В результаті під час різання на заготовку може діяти більша підйомна сила.

УВАГА! Завжди використовуйте робочий затиск, щоб підтримувати контроль і зменшити ризик пошкодження заготовки та отримання травм, якщо ваші руки під час різання повинні знаходитись на відстані 100 мм від пильного диска.

ПРИМІТКА. Необхідно ослабити ручку фіксації рейки **30**, зображену на рисунку A, щоб запобігти ковзанню пилки по рейках **24**.

Поперечні розрізи виконуються за допомогою важеля скоусу під кутом, відмінним від нуля. Часто цей кут складає 45° для створення кутів, але може бути встановлений в діапазоні від нуля до 50° ліворуч або 60° праворуч. Зробіть розріз, як описано вище.

При виконанні косоного розрізу на заготовках ширше 51 мм x 152 мм, які коротше по довжині, завжди розташовуйте довшу сторону до напрямної **12** (рис. Q).

Щоб прорізати існуючу накреслену лінію на шматку дерева, підберіть кут якомога точніше. Обріжте деревину трохи далі і вимірте від накресленої лінії до ручної кромки, щоб визначити, в якому напрямку відрегулювати кут скоусу і повторіть різання. Для цього буде потрібно трохи потренуватися, але це широко використовувана практика.

Фаскові розпили

Різнання фасок – це поперечне різання, виконане пильним диском під кутом нахилу до деревини. Для того, щоб встановити нахил, ослабте ручку фіксації кута нахилу **13** і посуňte пилку ліворуч або праворуч за бажанням. (Необхідно перемістити напрямну, щоб залишити вільний простір.) Після встановлення необхідного кута нахилу міцно затягніть фіксатор кута нахилу. Зверніться до розділу «Елементи керування» за докладними вказівками щодо системи зняття фасок.

Кут нахилу може змінюватися від 49° праворуч до 49° ліворуч, при цьому кут повороту консолі можна встановити між 50° та 60° ліворуч або праворуч. При деяких екстремальних кутах, можливо, доведеться зняти праву або ліву бокову напрямну. Щоб зняти ліву або праву напрямну, відкрутіть ручку регулювання напрямної **16** декількома обертами та просуньте напрямну назовні.

ПРИМІТКА. Див. пункт «Регулювання напрямної» у розділі «Монтаж та налаштування» для отримання важливої інформації щодо регулювання напрямних для певних фасок.

Якість розрізу

Чистота поверхні залежить від декількох параметрів. Якість різання залежить від матеріалу, типу диска, гостроти диска і швидкості різання.

Якщо необхідні особливо гладкі зрізи, наприклад, при виготовленні плінтусів або інших точній роботі, потрібно використовувати добре заточений (60 зубців, твердосплавний) диск при дуже малій, рівномірній швидкості різання.

Добре закріплюйте заготовку; при різанні заготовка не повинна рухатись або переміщатися. Перед тим як підняти ріжучу голівку, завжди давайте диску повністю зупинитися.

Якщо із задньої сторони розрізу відколюються маленькі тріски, можна приклеїти в місці розрізу смужку клейкої стрічки. Ріжте разом зі стрічкою, потім обережно зніміть стрічку.

Для різних варіантів використання див. список рекомендованих пильних дисків для вашої пилки і виберіть той, який краще всього відповідає вашим потребам. Див. пункт «Пильні диски» розділу «Додаткове приладдя».

Ненаскрізне різання (вирізнання канавок та шпунтів)

Інструкції **Розрізи, різання фасок** та **Комбіноване різання** призначені для розрізів, що виконуються по всій товщині матеріалу. Крім того, пилка може виконувати ненаскрізні розрізи, утворюючи в матеріалі канавки або шпунти.

Вирізнання канавок (рис. A)

Див. «Обмежувач глибини» для отримання детальних інструкцій зі встановлення глибини різання. Для перевірки необхідної глибини різання слід використовувати обрізки деревини.

Тримайте деревину міцно на столі і притисніть до напрямної **12**. Вирівняйте область зрізу під диском. Перемістіть пильну раму пилки повністю вперед диском вниз. Увімкніть пилку, натиснувши на тригерний перемикач **1**, показаний на рисунку A. Повільно посуňte пильну раму назад, щоб вирізати канавку у заготовці.

Відпустіть тригерний перемикач з опущеною пильною рамою. Після повної зупинки пильного диска підніміть пильну раму. Перед тим як підняти пильну голівку, завжди давайте диску повністю зупинитися.

Щоб розширити канавку, повторюйте кроки 1–4, поки не буде отримана потрібна ширина.

Закріплення заготовки (рис. A)

ПОПЕРЕДЖЕННЯ. Щоб знизити ризик отримання серйозної травми, **вимкніть інструмент та від'єднайте його від джерела живлення, перш ніж намагатися перемістити, замінити приладдя або виконати будь-яке регулювання.**

ПОПЕРЕДЖЕННЯ. Затиснута, збалансована і надійно закріплена перед різанням заготовка може стати незбалансованою після завершення різання. Незбалансоване навантаження може привести до перекидання пилки або всього, до чого вона кріпиться, наприклад, столу або верстака. При виконанні розрізу, який може стати незбалансованим, правильно утримуйте заготовку і стежте за тим, щоб пилка була міцно закріплена болтами на стійкій поверхні. Можуть виникнути травми.

ПОПЕРЕДЖЕННЯ. При використанні затиску лапка затиску повинна залишатися закріпленою над підставкою пилки. Завжди закріплюйте заготовку на підставці пилки, а не на будь-якій іншій частині робочої зони. Переконайтеся, що лапка затиску не затиснута на краю підставки пилки.

УВАГА! Завжди використовуйте затиск заготовки для підтримання контролю і зниження ризику пошкодження заготовки і отримання травм.

Якщо ви не можете закріпити заготовку на столі і прикріпити її до напрямної рукою (неправильна форма тощо) або ваша рука буде знаходитись менш ніж в 100 мм від диска, слід використовувати затиск або інше пристосування.

Для отримання кращих результатів використовуйте вертикальний затискач матеріалу **23**, що постачається в комплекті з пилкою. Додаткові затиски можна придбати у місцевого дилера або в сервісному центрі DeWALT.

Інші пристосування, такі як пружинні, брускові або C подібні затиски, можуть підходити для певних розмірів і форм матеріалу. Дотримуйтеся обережності при виборі і встановленні цих затисків. Перед виконанням різання слід виконати пробну імітацію різання. Ліва напрямна буде ковзати з одного боку в інший для полегшення затиску.

Встановлення затиску (рис. A)

- Вставте затиск в отвір за напрямною **12**.
- Підніміть затиск, повернувши ручку проти годинникової стрілки. Опустіть затиск, повернувши ручку за годинниковою стрілкою. Переконайтеся, що заготовка надійно зафіксована.

ПРИМІТКА. Помістіть затиск на протилежному боці підставки при нахилі. ЗАВЖДИ ВИКОНУЙТЕ ІМІТАЦІЮ РІЗАННЯ (БЕЗ ЖИВЛЕННЯ) ПЕРЕД ПОЧАТКОМ РОЗРІЗУ, ЩОБ ПОБАЧИТИ ШЛЯХ ПИЛЬНОГО ДИСКА. ПЕРЕКОНАЙТЕСЯ, ЩО ЗАТИСК НЕ ЗАВАЖАЄ РОБОТІ ПИЛКИ АБО ЗАХИСНИХ ПРИСТОСУВАНЬ.

Підтримка довгих заготовок

ПОПЕРЕДЖЕННЯ. Щоб знизити ризик отримання серйозної травми, **вимкніть інструмент та від'єднайте його від джерела живлення, перш ніж намагатися перемістити, замінити приладдя або виконати будь-яке регулювання.**

ЗАВЖДИ ДОБРЕ ФІКСУЙТЕ ДОВГІ ЗАГОТОВКИ.

Ніколи не використовуйте інших людей в якості заміни висувного столу; як додаткову опору заготовки, довжина або ширина якої перевищує базову ширину столу торцювальної пилки, а також для забезпечення подачі, підтримки або витягування заготовки.

Підтримуйте довгі заготовки, використовуючи будь-які звичайні засоби, як пильні козли або аналогічні пристрої для підтримки кінців заготовки від падіння.

Виготовлення картинних рам, невеликих ящиків та інших виробів з чотирма сторонами (рис. R)

Щоб краще зрозуміти, як виготовляти наведені тут вироби, ми пропонуємо вам спробувати кілька простих проектів з використанням деревних відходів, поки ви не «відчуєте» свою пилку.

Ваша пилка — це ідеальний інструмент для скошування кутів, як показано на рисунку R. На ескізі 1 рисунку R показано з'єднання, виконане за допомогою регулювання фасок, що дозволяє скосити краї двох дощок на 45° і отримати кут 90°. Для цього з'єднання важіль скосу був заблокований в нульовому положенні, а регулювання кута нахилу — на 45°. Дощку необхідно було розмістити на столі пилки плоским боком до столу та вузькою стороною до напрямної. Розріз можна отримати, змінюючи кут скосу вправо або вліво, при цьому широка поверхня дошки має бути направлена до напрямної.

Різнання профілів та інших рам (Рис. R)

На ескізі 2 рисунку R показано з'єднання, виконане шляхом установки важеля скосу на 45°, щоб з'єднати дві дошки під кутом 90°. Для виконання цього типу з'єднання встановіть кут нахилу на нуль, а важіль скосу — на 45°. Знову розмістіть дошку на столі плоским боком до столу та вузькою стороною до напрямної.

Два ескізи на рисунку R вірні лише для виробів з чотирма сторонами.

При змін кількості сторін, потрібно змінювати кут скосу або нахилу. На наведеній нижче таблиці показані правильні кути для різних фігур.

– ПРИКЛАДИ –

КІЛЬКІСТЬ СТОРІН	КУТ СКОСУ АБО НАХИЛУ
4	45°
5	36°
6	30°
7	25,7°
8	22,5°
9	20°
10	18°

У таблиці передбачається, що всі сторони мають рівну довжину. Для фігур, не показаних в таблиці, використовуйте наступну формулу: 180°, поділені на кількість сторін, дорівнюють куту скосу (якщо матеріал розрізаний вертикально) або нахилу (якщо матеріал розрізаний, лежачи на поверхні плоско).

Комбіноване різнання (рис. S)

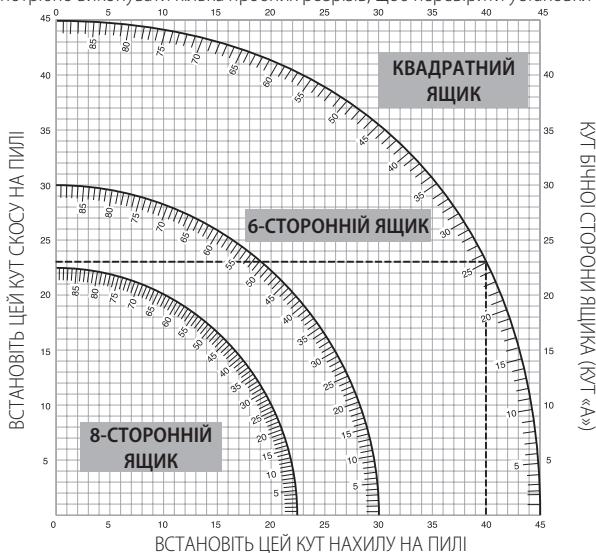
Комбіноване різнання — це коли і кут скосу, і кут нахилу не дорівнюють нулю. Такі розрізи потрібно виконувати при виготовленні рам або ящиків з похилими стінками, як показано на рисунку T.

ПОПЕРЕДЖЕННЯ. Якщо при роботі потрібно постійно змінювати кути скосу і нахилу, перевірте, щоб перед увімкненням пилки ручка фіксації кута нахилу та ручка фіксації скосу були надійно зафіксовані. Тобто потрібно надійно затягувати фіксуючі ручки після кожної зміни кута скосу або нахилу.

Діаграма, наведена нижче, допоможе обрати потрібні кути нахилу і різнання, для найбільш розповсюджених виробів.

- Потрібно спочатку визначити потрібний кут «А» (рис. S) і відкласти на відповідній дузі діаграми.
- Від цієї точки необхідно провести пряму донизу, щоб отримати кут нахилу, і горизонтальну пряму, щоб отримати кут скосу.
- Встановіть отримані кути на пилі і зробіть кілька пробних відрізів. Перевірте результат, складаючи заготовки разом.

Приклад: Щоб зробити 4-сторонній ящик з кутами нахилу сторін 26° (кут «А», рис. S), використовуйте крайню праву дугу. Знайдіть 26° на шкалі дуги. Відкладіть горизонтальну пряму до будь-якої вертикальної осі і отримайте кут скосу пилки (42°). Аналогічно проведіть вертикальну пряму донизу або догори і отримайте кут нахилу пилки (18°). Завжди потрібно виконувати кілька пробних розрізів, щоб перевірити установки пилки.



Різнання плінтусів (рис. T)

ПЕРЕД ВИКОНАННЯМ БУДЬ-ЯКОГО РОЗРІЗУ, ЗАВЖДИ ПОТРІБНО ПЕРЕВІРЯТИ РУХ ГОЛІВКИ, НЕ ВКЛЮЧАЮЧИ ПИЛКУ.

Прямі розрізи під кутом 90°:

Розмістіть дошку навпроти напрямної і зафіксуйте її на місці, як показано на рисунку T. Увімкніть пилку, дайте їй набрати повну швидкість і плавно опустіть різальну голівку в розріз.

Різнання плінтусів висотою до 165 мм вертикально до напрямної (рис. L, T)

ПРИМІТКА. При вертикальному різнанні плінтусів висотою від 76 до 165 мм до напрямної скористайтесь важелем блокування висування, як показано на рисунку L 1.

Розмістіть матеріал, як показано на рисунку T.

Всі розрізи слід виконувати з задньої стороною плінтуса до напрямної і з нижньою стороною плінтуса до столу.

	Внутрішній кут	Зовнішній кут
Ліва сторона	1. Скіс ліворуч 45°	1. Скіс праворуч 45°
	2. Отримувана деталь буде знаходитись зліва від диска	2. Отримувана деталь буде знаходитись зліва від диска
Права сторона	1. Скіс праворуч 45°	1. Скіс ліворуч 45°
	2. Отримувана деталь буде знаходитись справа від диска	2. Отримувана деталь буде знаходитись справа від диска

Матеріал до 165 мм можна різати, як описано вище.

Різнання карнизів

Ваша торцювальна пилка краще підходить для різнання карнизів, ніж будь-який інший інструмент. Для того, щоб правильно підігнати карниз, необхідно виконати комбінування з високою точністю.

Дві плоскі поверхні на цій частині карниза знаходяться під кутом, який при складенні становить рівно 90°. У більшості, але не у всіх карнизів верхній задній кут (секція, яка плоско прилягає до стелі) становить 52°, а нижній задній кут (частина, яка плоско прилягає до стіни) — 38°.

Ваша торцювальна пилка має спеціальні встановлені точки фіксації під кутом та 31,6° зліва і справа для різнання карнизів під потрібним кутом та затиски для фіксації нахилу під кутом 33,9° ліворуч і праворуч. На шкалі нахилу також є відмітка 33,9°.

В наведеній нижче таблиці показані правильні налаштування для різнання карнизів. (Цифри для регулювання параметрів скосу і нахилу дуже точні і задаються на пилі не так просто.) Оскільки в більшості приміщень кути не дорівнюють точно 90°, вам все одно доведеться точно налаштувати параметри.

ДУЖЕ ВАЖЛИВО ПРОВЕСТИ ПОПЕРЕДНЄ ТЕСТУВАННЯ З ВИКОРИСТАННЯМ ВІДХОДІВ!

Інструкція з різнання карнизів при укладанні на плоску поверхню і використання властивостей комбінування (рис. A, U)

1. Форма, що лежить на столі пилки **18** широкою задньою поверхню вниз.
2. Верхня частина форми навпроти напрямної **12**.
3. Нижче наведені всі параметри для стандартного карниза (для США) з кутами 52° і 38°.

	Внутрішній кут	Зовнішній кут
Ліва сторона	1. Нахил ліворуч 33,9°	1. Нахил праворуч 33,9°
	2. Скіс стола встановлений праворуч під кутом 31,62°	2. Скіс стола встановлений ліворуч під кутом 31,62°
	3. Отримувана деталь буде знаходитись зліва від диска	3. Отримувана деталь буде знаходитись зліва від диска
Права сторона	1. Нахил праворуч 33,9°	1. Нахил ліворуч 33,9°
	2. Скіс стола встановлений ліворуч під кутом 31,62°	2. Скіс стола встановлений праворуч під кутом 31,62°
	3. Отримувана деталь буде знаходитись справа від диска	3. Отримувана деталь буде знаходитись справа від диска

При встановленні кутів нахилу і скосу для всіх комбінованих зрізів, пам'ятаєте:

Кути, показані для карнизів, дуже точні і важко піддаються точному налаштуванню. Так як їх можна легко зрушити, і лише в небагатьох приміщеннях є точні прямі кути, всі параметри треба перевірити на формах з відходів.

ДУЖЕ ВАЖЛИВО ПРОВЕСТИ ПОПЕРЕДНЄ ТЕСТУВАННЯ З ВИКОРИСТАННЯМ ВІДХОДІВ!

Альтернативний спосіб різнання карнизів (рис. V)

Покладіть форму на стіл під кутом між напрямною **12** і столом пилки **18**, як показано на рис. V. Рекомендується використовувати приладдя напрямної для карнизів (DW7084) через його точність та зручність. Приладдя напрямної для карнизів можна придбати у місцевого дилера.

Перевага такого методу різнання карнизів полягає в тому, що не потребується різнання фасок. Незначні зміни кута скосу можна виконувати без впливу на кут нахилу. Таким чином, при виявленні кутів, відмінних від 90°, пилку можна швидко і легко підігнати під

них. Використовуйте приладдя напрямної для карнизів для підтримки кута, під яким форма буде знаходитися на стіні.

Інструкція з різання карнизів під кутом між напрямною і столом пилки для всіх розрізів

- Нахиліть форму так, щоб нижня частина форми (частина якої спрямована до стіни при установці) була спрямована до напрямної, а верхня частина — спиралася на підставку пилки, як показано на рис. V.
- Похилі «площини» на задній стороні форми мають бути розташовані прямо на напрямній і підставці пилки.

	Внутрішній кут	Зовнішній кут
Ліва сторона	1. Скіс праворуч 45°	1. Скіс ліворуч 45°
	2. Отримувана деталь буде знаходитися справа від диска	2. Отримувана деталь буде знаходитися справа від диска
Права сторона	1. Скіс ліворуч 45°	1. Скіс праворуч 45°
	2. Отримувана деталь буде знаходитися зліва від диска	2. Отримувана деталь буде знаходитися зліва від диска

Спеціальні розрізи

НІКОЛИ НЕ РОЗРІЗУЙТЕ МАТЕРІАЛ, НЕ ВИКОНАВШИ ФІКСАЦІЮ МАТЕРІАЛУ ДО СТОЛУ ТА ДО НАПРЯМНОЇ.

Різнання алюмінію (Рис. А, W)

ЗАВЖДИ ВИКОРИСТОВУЙТЕ ВІДПОВІДНИЙ ДИСК ПИЛКИ, ВИГОТОВЛЕНИЙ СПЕЦІАЛЬНО ДЛЯ РІЗАННЯ АЛЮМІНІЮ. Їх можна придбати у місцевого дилера DeWALT або в сервісному центрі DeWALT. Для деяких заготовок, у зв'язку з їх розмірами, формою або обробкою поверхні, може знадобитися використання затиску або пристосування для запобігання переміщенню під час різання. Розташуйте матеріал так, щоб розрізати найтонший поперечний перетин, як показано на рисунку W. На рисунку W показаний неправильний спосіб розрізання цих профілів.

При різанні алюмінію використовуйте воскову мастильно-охолоджуючу рідину. Нанесіть віск безпосередньо на пильний диск **39** перед початком різання. Ніколи не наносіть віск на диск під час обертання.

Віск, який можна придбати в більшості магазинів металоконструкцій, забезпечує належне змащення і запобігає прилипанню стружки до диска.

Переконайтеся, що заготовка добре закріплена.

Див. пункт «Пильні диски» розділу «Додаткове приладдя» для здобуття інформації про правильний пильний диск.

Зігнутий матеріал (рис. X, Y)

При різанні зігнутого матеріалу завжди розташуйте його так, як показано на рисунку X, а не так, як показано на рисунку Y. Неправильне розташування матеріалу може призвести до заїдання диска практично в момент завершення різання.

Розрізання пластикових труб або інших круглих матеріалів

Пластикові труби можна легко розрізати вашою пилою. Їх слід різати так само, як дерево, і МІЦНО ПРИТІСКАТИ АБО ЗАКРІПЛЮВАТИ ДО НАПРЯМНОЇ, ЩОБ ЗАПОБІГТИ ЇХ СКОЧУВАННЮ. Це особливо важливо при виконанні розрізів під кутом.

Різнання великого матеріалу (Рис. Z)

Час від часу вам може попасти шматок дерева, занадто великий, щоб розташувати його під нижнім захисним кожухом. Якщо це сталося, просто покладіть правий великий палець на верхню сторону захисного кожуха і перемістіть захисний кожух вгору так само, щоб очистити заготовку, як показано на рисунку Z. Намагайтеся уникати це робити, але так пилка буде працювати належним чином і робити більші розрізи. НІКОЛИ НЕ ПРИВ'ЯЗУЙТЕ, НЕ ПРИКЛЕЮЙТЕ ТА НЕ ФІКСУЙТЕ ЗАХИСНИЙ КОЖУХ ІНШИМ ЧИНОМ ПРИ РОБОТІ З ПИЛОЮ.

ТЕХНІЧНЕ ОБСЛУГОВУВАННЯ

Ваш інструмент виробництва компанії DeWALT призначений для роботи протягом довгого часу з мінімальним обслуговуванням. Довга задовільна робота приладу залежить від належного обслуговування приладу та регулярного його очищення.

ПОПЕРЕДЖЕННЯ. Щоб знизити ризик серйозних тілесних ушкоджень, вимкніть інструмент та відключіть акумулятор перед виконанням будь-яких налаштувань або змінням/встановленням додаткового обладнання або приладдя. Випадковий запуск може призвести до тілесних ушкоджень.

ПОПЕРЕДЖЕННЯ. Якщо пильний диск зношений, замініть його новим диском.

НЕ використовуйте мастила та очищувачі (особливо спрей або аерозоль) поблизу пластикового кожуха. Полікарбонатний матеріал, що використовується в кожусі, піддається впливу певних хімічних речовин.

- Всі підшипники герметичні. Вони змащуються на все життя і не потребують подальшого обслуговування.
- Періодично очищайте весь пил та деревну стружку навколо та ПІД основним столом та поворотним столом. Незважаючи на те, що зазори призначені для проходження крізь них сміття, накопичиться деякий пил.



Змащування

Ваш електричний інструмент не вимагає додаткового змащування.



Очищення

Перед використанням уважно обстежте верхній захисний кожух, рухомий нижній захисний кожух диску, а також трубу видалення пилу, щоб переконаватися в тому, що пилка буде працювати коректно. Переконайтеся, що стружки, пил та частинки заготовки не призведуть до погіршення роботи пилки.

Якщо фрагменти заготовки (обрізки) потрапляють між пильним диском та захисним кожухом, відключіть інструмент від мережі живлення та виконайте інструкції, наведені в розділі **Зміна або встановлення нового пильного диска**. Видаліть фрагменти та знов встановіть пильний диск.

ПОПЕРЕДЖЕННЯ. Коли пил та бруд стають помітними та починають накопичуватися біля вентиляційних отворів, видавайте бруд та пил зсередини основного корпусу за допомогою сухого повітря. Використовуйте рекомендовані засоби захисту органів зору та рекомендовану протипилову маску при виконанні цієї операції.

ПОПЕРЕДЖЕННЯ. Ніколи не використовуйте розчинники та інші агресивні хімічні засоби для очищення неметалевих деталей інструмента. Такі хімічні речовини можуть нанести шкоду матеріалам, що використовуються в цих деталях. Використовуйте вологу ганчірку, змочену лише водою з м'яким милом. Не дозволяйте рідині потрапляти всередину інструмента та ніколи не занурюйте деталі інструмента в рідину.

ПОПЕРЕДЖЕННЯ. Щоб зменшити ризик отримання травм, регулярно очищуйте стільницю.

ПОПЕРЕДЖЕННЯ. Щоб зменшити ризик отримання травм, регулярно очищуйте систему видалення пилу.

Очищення робочого освітлення

Для забезпечення належного функціонування робочого освітлення, регулярно проводьте такі операції з технічного обслуговування.

- Ретельно очистіть лінзи робочого освітлення від тирси і сміття за допомогою ватного тампона.
- НЕ використовуйте розчинники будь-якого типу, вони можуть пошкодити лінзу.
- Скупчення пилу може заблокувати робоче освітлення і перешкоджати точному відображенню лінії розрізу.
- Зняття та встановлення пильного диска має відбуватися відповідно до цього посібника з експлуатації торцювальної пилки.
- Зніміть з пилки пильний диск та очистіть його від смоли і налипання. Смола та налипання можуть заважати робочому світлу і не дозволяти точно вказувати лінію розрізу.

Додаткове приладдя

ПОПЕРЕДЖЕННЯ. Оскільки інше приладдя, що не рекомендоване компанією DeWALT, не було перевірено з цим виробом, використання такого приладдя з цим інструментом може бути небезпечним. Щоб знизити ризик травми використовуйте лише приладдя, рекомендоване компанією DeWALT.

ПИЛЬНІ ДИСКИ: СЛІД ВИКОРИСТОВУВАТИ ПИЛЬНІ ДИСКИ ДІАМЕТРОМ 305 мм З ОТВОРОМ ДЛЯ ВАЛУ 30 мм для -GB або 25,4 мм для -XE. ДОПУСТИМА ШВИДКІСТЬ ОБЕРТАННЯ ДИСКА МАЄ СТАНОВИТИ НЕ МЕНШ 4800 ОБ/ХВ. Використання дисків меншого діаметру заборонено. Захисний кожух пилки не забезпечує належний захист для менших дисків. Слід використовувати лише диски для поперечного різання! Забороняється застосовувати диски для поздовжнього різання, комбіновані диски та диски с переднім кутом зубів більше 7°.

ПАРАМЕТРИ ДИСКІВ

ЗАСТОСУВАННЯ	ДІАМЕТР	КІЛЬКІСТЬ ЗУБІВ
Диски для будівельних робіт (тонкий проріз за антипригарним ободом)		
Загального використання	305 мм	40
Для тонкого відрізу	305 мм	60
Диски для столярних робіт (забезпечують рівний та гладкий відріз)		
Для тонкого відрізу	305 мм	80
Для кольорових металів	305 мм	96

Зверніться до свого дилера для отримання подальшої інформації щодо відповідного приладдя.

Захист навколишнього середовища

Роздільний збір. Пристрої та акумулятори, позначені цим символом, не можна викидати зі звичайним побутовим сміттям.

Пристрої та акумулятори містять матеріали, які можна відновити та переробити, що зменшить потребу у сировині. Будь ласка, віддавайте електричні інструменти та акумулятори на переробку відповідно до місцевих постанов. Більш детальну інформацію можна отримати на сайті www.2helpU.com.

Перезаряджуваний акумулятор

Ця модель акумулятора підлягає перезарядженню у випадку зниження його потужності при виконанні завдань, що попередньо не вимагали особливих зусиль. Наприкінці терміну служби акумулятора утилізуйте його у спосіб, безпечний для навколишнього середовища.

- Повністю розрядіть акумулятор, потім витягніть його з інструмента.
- Літій-іонні акумулятори підлягають вторинній переробці. Відправте їх до свого дилера або на місцеву переробну станцію. Там зібрані акумулятори будуть перероблені або утилізовані належним чином.



Виробник:
"Stanley Black & Decker Deutschland
GmbH" Black-&-Decker Str.40, D-65510
Idstein, Німеччина

Інструкції щодо виявлення та усунення несправностей ОБОВ'ЯЗКОВО ДОТРИМУЙТЕСЬ ПРАВИЛ ТА ІНСТРУКЦІЙ З ТЕХНІКИ БЕЗПЕКИ

НЕСПРАВНІСТЬ!	ЩО НЕ ТАК?	ЩО РОБИТИ
Пилка не запускається	Акумулятор не встановлений	Встановіть акумулятор. Див. розділ «Встановлення та витягування акумулятора» .
	Акумулятор не заряджений	Зарядіть акумулятор. Див. розділ «Процедура зарядження» .
	Перегрівання пилки	Зачекайте кілька хвилин, щоб пилка охолола.
	Перегрівання акумуляторів	Зачекайте кілька хвилин, щоб акумулятори охолонули.
Пилка робить незадовільні розрізи	Тупий диск	Замініть диск. Див. розділ «Заміна або установка нового пильного диска» .
	Диск встановлено задом наперед	Поверніть диск. Див. розділ «Заміна або установка нового пильного диска» .
	На диску гумка або смола	Витягніть диск і очистіть його грубою сталевую мочалкою і скипидаром або побутовим очисником для духовок.
	Диск не відповідає виконуваний роботі	Змініть тип диска. Див. пункт «Пильні диски» розділу «Додаткове приладдя».
Блимає лампа робочого освітлення CUTLINE™	Акумулятор не заряджений	Зарядіть акумулятор. Див. розділ «Процедура зарядження» .
Інструмент надмірно вібрує	Пилка ненадійно закріплена на стійці або робочому столі	Затягніть всі кріпильні пристосування. Див. розділ «Кріплення до верстаку» .
	Стойка або верстак стоїть на нерівній підлозі	Встановіть на рівній поверхні. Див. розділ «Ознайомлення» .
	Пильний диск пошкоджений	Замініть диск. Див. розділ «Заміна або установка нового пильного диска» .
Косі розрізи виходять неточними	Шкала скосу відрегульована неправильно	Перевірте та відрегулюйте. Див. пункт «Регулювання шкали скосу» розділу «Монтаж та налаштування».
	Диск знаходиться не під прямим кутом до напрямної	Перевірте та відрегулюйте. Див. пункт «Регулювання шкали скосу» розділу «Монтаж та налаштування».
	Диск знаходиться не під прямим кутом до столу	Перевірте та відрегулюйте напрямну. Див. пункт «Регулювання кута нахилу відносно столу» розділу «Монтаж та налаштування».
	Заготовка рухається	Надійно закріпіть заготовку до напрямної або приклейте наждачний папір із зернистістю 120 до напрямної за допомогою каучукового клею.
	Накладка із прорізом зношена або пошкоджена	Віднесіть інструмент до офіційного сервісного центру.
Матеріал затискає диск	Стрілка шкали скосу відрегульована неправильно	Перевірте та відрегулюйте. Див. пункт «Регулювання стрілки шкали скосу» розділу «Збирання і регулювання» .
	Різання зігнутого матеріалу	Див. пункт «Зігнутий матеріал» розділу «Спеціальні розрізи».

DEWALT

ГАРАНТІЙНИЙ ТАЛОН

**3 РОКИ
ГАРАНТІЇ**

1. Вітаємо Вас з покупкою високоякісного виробу DEWALT і висловлюємо вдячність за Ваш вибір.
2. При покупці виробу вимагайте перевірки його комплектності і справності у Вашій присутності, інструкцію з експлуатації та заповнений гарантійний талон українською мовою. В гарантійному талоні повинні бути внесені: модель, дата продажу, серійний номер, дата виробництва інструменту; назва, печатка і підпис торгової організації. За відсутності у Вас правильно заповненого гарантійного талону, а також при невідповідності зазначених у ньому даних ми будемо змушені відхилити Ваші претензії щодо якості даного виробу.
3. Щоб уникнути непорозумінь, переконливо просимо Вас перед початком роботи з виробом уважно ознайомитися з інструкцією з його експлуатації. Правовою основою справжніх гарантійних умов є чинне Законодавство. Гарантійний термін на даний виріб складає 36 місяці і обчислюється з дня продажу. У разі усунення недоліків виробу, гарантійний строк продовжується на період його перебування в ремонті. Термін служби виробу становить 5 років з дня продажу.
4. У разі виникнення будь-яких проблем у процесі експлуатації виробу рекомендуємо Вам звертатися тільки в уповноважені сервісні центри DEWALT, адреси та телефони яких Ви зможете знайти в гарантійному талоні, на сайті www.2helpU.com або дізнатися в магазині. Наші сервісні станції - це не тільки кваліфікований ремонт, але і широкий асортимент запчастин і аксесуарів.
5. Виробник рекомендує проводити періодичну перевірку і технічне обслуговування виробу в уповноважених сервісних центрах.
6. Наші гарантійні зобов'язання поширюються тільки на несправності, виявлені протягом гарантійного терміну і викликані дефектами виробництва та \ або матеріалів.
7. Гарантійні умови не поширюються на несправності виробу, що виникли в результаті:
 - 7.1. Недотримання користувачем приписів інструкції з експлуатації виробу, застосування виробу не за призначенням, неправильного зберігання, використання приладдя, витратних матеріалів і запчастин, що не передбачені виробником.
 - 7.2. Механічного пошкодження (відколи, тріщини і руйнування) внутрішніх і зовнішніх деталей виробу, основних і допоміжних рукояток, мережевого кабелю, що викликані зовнішнім ударним або будь-яким іншим впливом
 - 7.3. Потрапляння у вентиляційні отвори та проникнення всередину виробу сторонніх предметів, матеріалів або речовин, що не є відходами, які супроводжують застосування виробу за призначенням, такими як: стружка, тирса, пісок, та ін.
 - 7.4. Впливу на виріб несприятливих атмосферних і інших зовнішніх факторів, таких як дощ, сніг, підвищена вологість, нагрівання, агресивні середовища, невідповідність параметрів електромережі, що зазначені на інструменті.
 - 7.5. Стихійного лиха. Пошкодження або втрати виробу, що пов'язані з непередбаченими лихами, стихійними явищами, у тому числі внаслідок дії непереборної сили (пожежа, блискавка, потоп і інші природні явища), а також внаслідок перепадів напруги в електромережі та іншими причинами, які знаходяться поза контролем виробника.
8. Гарантійні умови не поширюються:
 - 8.1. На інструменти, що піддавались розкриттю, ремонту або модифікації поза уповноваженим сервісним центром.
 - 8.2. На деталі, вузли та матеріали, що мають сліди природного зносу, такі як: приводні ремені і колеса, вугільні щітки, мастило, підшипники, зубчасті зчеплення редукторів, гумові ущільнення, сальники, направляючі ролики, муфти, вимикачі, бойки, штовхачі, стволи тощо.
 - 8.3. На змінні частини: патрони, цанги, затискні гайки і фланці, фільтри, ножі, шліфувальні підшви, ланцюги, зірочки, пильні шини, захисні кожухи, пилки, абразиви, пильні і абразивні диски, фрези, свердла, бури тощо
 - 8.4. На несправності, що виникли в результаті перевантаження інструменту (як механічного, так і електричного), що спричинили вихід з ладу одночасно двох і більше деталей і вузлів, таких як: ротора і статора, обох обмоток статора, веденої і ведучої шестерень редуктора або інших вузлів і деталей. До безумовних ознак перевантаження виробу відносяться, крім інших: поява кольорів мінливості, деформація або оплавлення деталей і вузлів виробу, потемніння або обуглювання ізоляції проводів електродвигуна під впливом високої температури.

Товар отриманий в справному стані, без видимих ушкоджень, в повній комплектації, перевірений у моїй присутності, претензій щодо якості товару не маю. З умовами гарантійного обслуговування ознайомлений і згоден.

П. І. Б. та підпис власника _____

Шановні клієнти, наша мережа авторизованих сервісних центрів постійно розширюється. Актуальну інформацію про обслуговування в місті, що цікавить вас, ви можете дізнатися на сайті

www.2helpU.com

Редакція ВК/12-12-2018

Інформація про інструмент

Найменування інструменту	
Модель	
Найменування продавця	
Дата продажу	

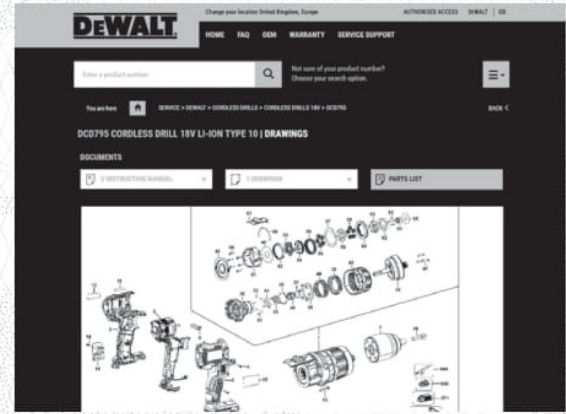
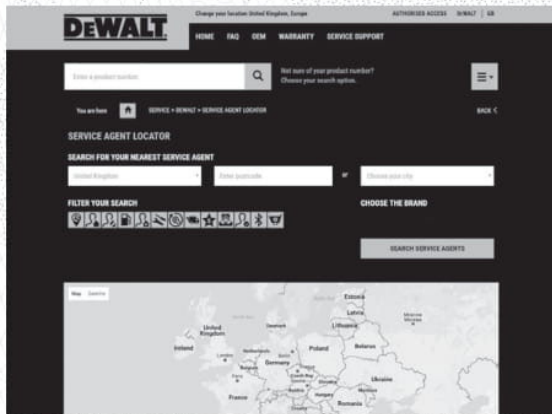
М.П.
Продавця

Серійний номер/Дата виробництва

Інструмент	
Зарядний пристрій	
Акумулятор 1	
Акумулятор 2	

На сайті www.2helpU.com доступні наступні функції:

- Список авторизованих сервісних центрів
- Зручний пошук найближчого сервісного центру
- Керівництво з експлуатації
- Технічні характеристики
- Список деталей і запасних частин
- Схема складання інструменту



**Також дану інформацію ви можете отримати, зателефонувавши за номером:
0 (800) 211 521 в Україні**

ВІДМІТКА ПРО ПРОВЕДЕННЯ СЕРВІСНОГО ОБСЛУГОВУВАННЯ

№1	№2	№3	№4
№ замовлення	№ замовлення	№ замовлення	№ замовлення
Дата прийому	Дата прийому	Дата прийому	Дата прийому
Дата ремонту	Дата ремонту	Дата ремонту	Дата ремонту
Печатка і підпис сервісного центру	Печатка і підпис сервісного центру	Печатка і підпис сервісного центру	Печатка і підпис сервісного центру

