
DEWALT®

XR LI-ION

www.DEWALT.com

DCM571

Figure A

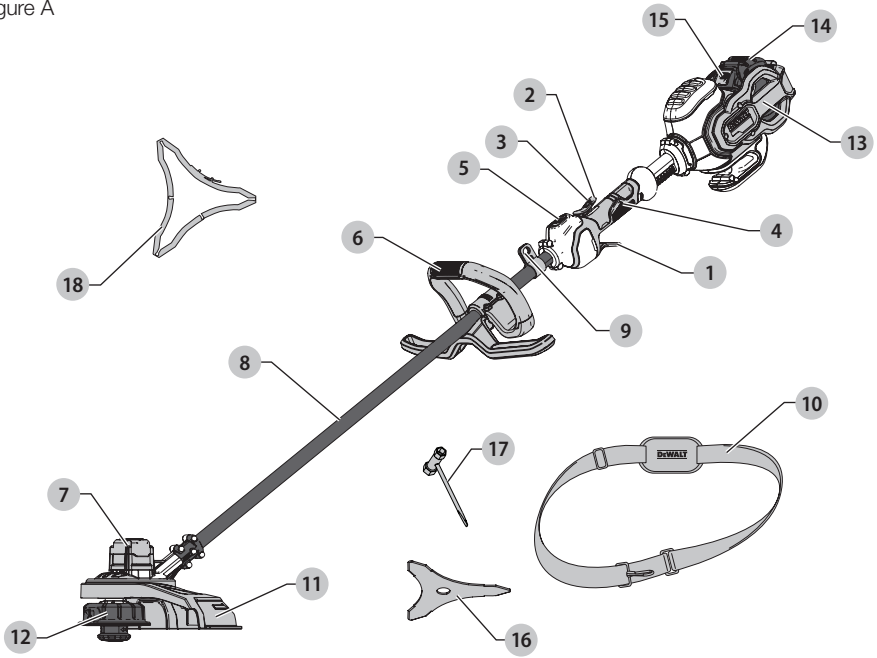


Figure B

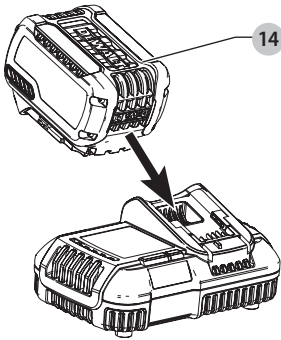


Figure C

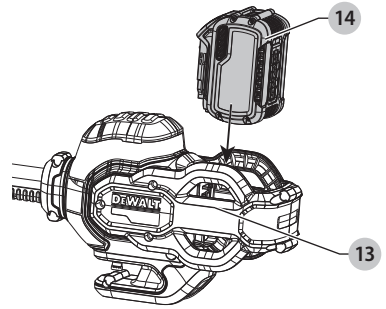


Figure D

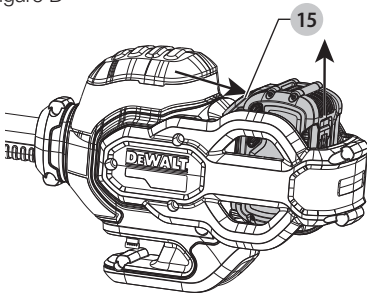


Figure E

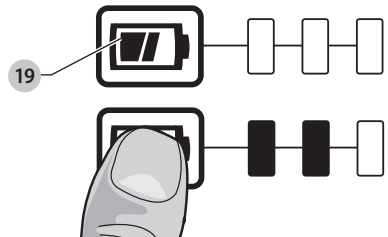


Figure F

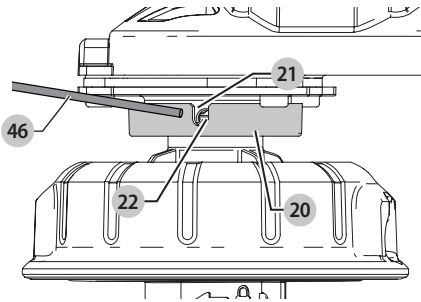


Figure G

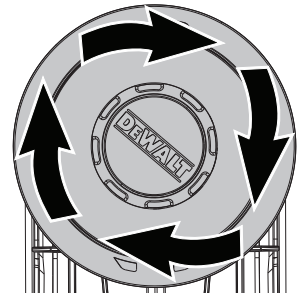


Figure H

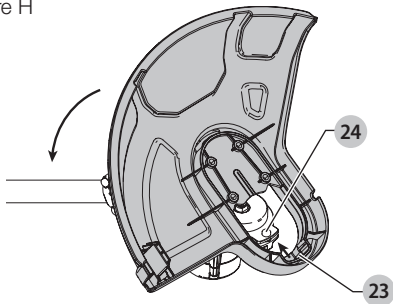


Figure I

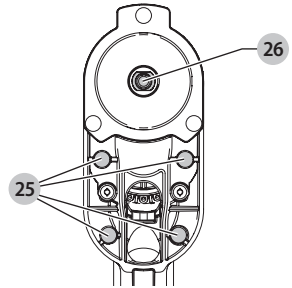


Figure J

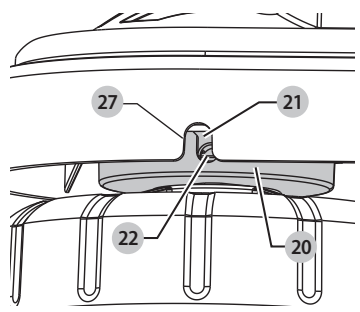


Figure K

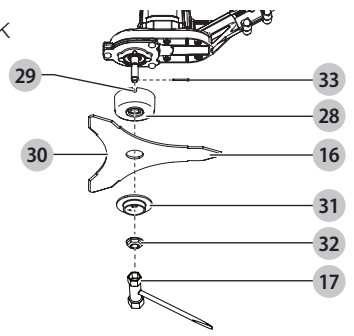


Figure L

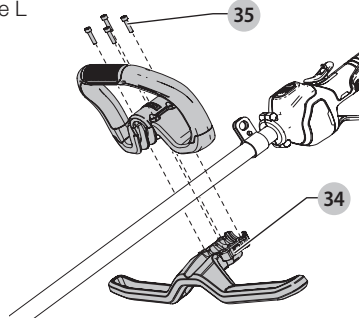


Figure M

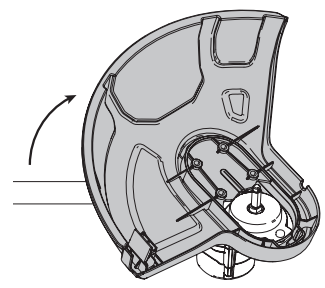


Figure N

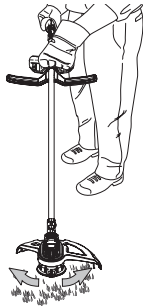


Figure O

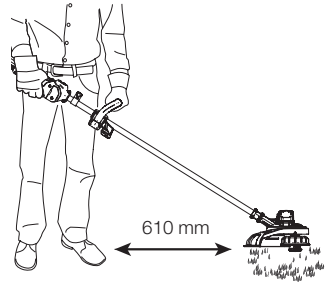


Figure P

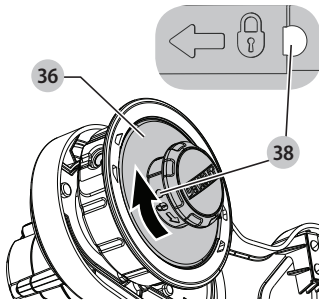


Figure Q

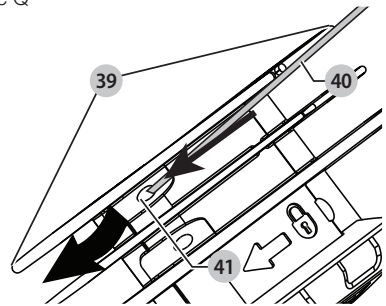


Figure R

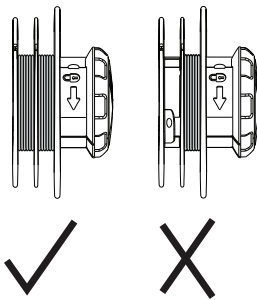


Figure S

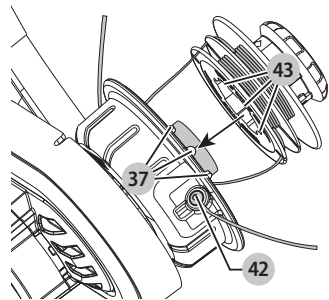


Figure T

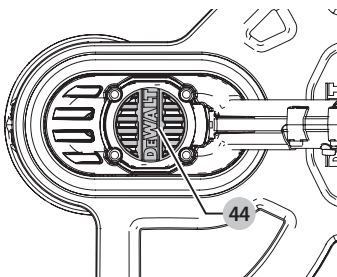
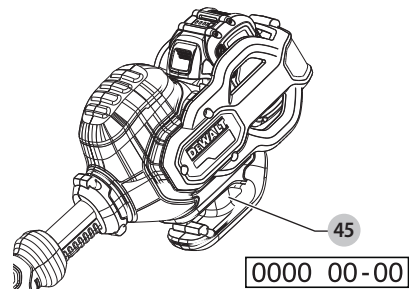


Figure U



STRING TRIMMER / BRUSH CUTTER

DCM571

Congratulations!

You have chosen a DEWALT tool. Years of experience, thorough product development and innovation make DEWALT one of the most reliable partners for professional power tool users.

Technical Data

Batteries & Chargers sold separately

DCM571		
Voltage	V _{DC}	54V
UK & Ireland	V _{DC}	54V
Type		1
Power output	W	220-240
RPM	/min	0-5100 / 0-5500
Cutting Swath Size	mm	380
Weight (without battery pack)	kg	4.6

Brush cutter

Type		Tri-Blade Brush Knife, Grass Cutting Blade, 4T Grass Cutting Blade
RPM	/min	0-5100 / 0-5500
Cutting Swath Size	mm	255

Noise values and vibration values (triax vector sum).

String trimmer mode according to EN 50636-2-91:

L _{PA} (emission sound pressure level)	dB(A)	79
L _{WA} (sound power level)	dB(A)	94
K (uncertainty for the given sound level)	dB(A)	1.0
Vibration emission value a _h =		
- Handle	m/s ²	<2.5
- Auxiliary Handle	m/s ²	2.6
Uncertainty K =	m/s ²	1.5

Noise values and vibration values (triax vector sum).

Brush cutter mode according to EN ISO 11806-1:

L _{PA} (emission sound pressure level)	dB(A)	78.5
L _{WA} (sound power level)	dB(A)	94
K (uncertainty for the given sound level)	dB(A)	1.8
Vibration emission value a _h =		
- Handle	m/s ²	<2.5
- Auxiliary Handle	m/s ²	10.1
Uncertainty K =	m/s ²	1.5

The vibration emission level given in this information sheet has been measured in accordance with a standardised test given in EN 50636 and may be used to compare one tool with another. It may be used for a preliminary assessment of exposure.



WARNING: The declared vibration emission level represents the main applications of the tool. However if the tool is used for different applications, with different accessories or poorly maintained, the vibration emission may differ. This may significantly increase the exposure level over the total working period.

An estimation of the level of exposure to vibration should also take into account the times when the tool is switched off or when it is running but not actually doing the job. This may significantly reduce the exposure level over the total working period.

Identify additional safety measures to protect the operator from the effects of vibration such as: maintain the tool and the accessories, keep the hands warm, organisation of work patterns.

NOTE: National regulation can restrict the use of the machine.

Batteries				Chargers/Charge Times (Minutes)					
Cat #	V _{DC}	Ah	Weight kg	DCB107	DCB113	DCB115	DCB118	DCB132	DCB119
DCB546	18/54	6.0/2.0	1.05	270	140	90	60	90	X
DCB547	18/54	9.0/3.0	1.25	420	220	140	85	140	X
DCB181	18	1.5	0.35	70	35	22	22	22	45
DCB182	18	4.0	0.61	185	100	60	60	60	120
DCB183/B	18	2.0	0.40	90	50	30	30	30	60
DCB184/B	18	5.0	0.62	240	120	75	75	75	150
DCB185	18	1.3	0.35	60	30	22	22	22	X
DCB187	18	3.0	0.48	140	70	45	45	45	90

EC-Declaration of Conformity

Machinery Directive



STRICT TRIMMER / BRUSH CUTTER DCM571

DEWALT declares that these products described under **Technical Data** are in compliance with:
2006/42/EC, EN60335-1:2012 + A11:2014 EN50636-2-91:2014, EN ISO 11806-1:2011.

2000/14/EC, Lawn Trimmer, L ≤ 50 cm, Annex VI

DEKRA Certification B.V.

Meander 1051 / P.O. box 5185

6525 MJ ARNHEM / 6802 ED

ARNHEM, Netherlands

Notified Body ID No.: 0344

Level of acoustic power according to 2000/14/EC

(Article 12, Annex III, L ≤ 50 cm):

L_{PA} (measured sound pressure) 79 dB(A)

uncertainty (K) = 1.0 dB (A)

L_{WA} (guaranteed sound power) 96 dB(A)

These products also comply with Directive 2014/30/EU and 2011/65/EU. For more information, please contact DEWALT at the following address or refer to the back of the manual.

The undersigned is responsible for compilation of the technical file and makes this declaration on behalf of DEWALT.

Markus Rompel

Director Engineering

DEWALT, Richard-Klinger-Straße 11,

D-65510, Idstein, Germany

10.11.2016



WARNING: To reduce the risk of injury, read the instruction manual.

Definitions: Safety Guidelines

The definitions below describe the level of severity for each signal word. Please read the manual and pay attention to these symbols.



DANGER: Indicates an imminently hazardous situation which, if not avoided, **will** result in **death or serious injury**.



WARNING: Indicates a potentially hazardous situation which, if not avoided, **could** result in **death or serious injury**.



CAUTION: Indicates a potentially hazardous situation which, if not avoided, **may** result in **minor or moderate injury**.

NOTICE: Indicates a practice **not related to personal injury** which, if not avoided, **may** result in **property damage**.



Denotes risk of electric shock.



Denotes risk of fire.

SAFETY INSTRUCTIONS



WARNING: When using mains-powered appliances, basic safety precautions, including the following, should always be followed to reduce the risk of fire, electric shock, personal injury and material damage.



WARNING: When using the machine the safety rules must be followed. For your own safety and bystanders please read these instructions before operating the machine. Please keep the instructions safe for later use.

- Read all of this manual carefully before operating the appliance.
- The intended use is described in this manual. The use of any accessory or attachment or the performance of any operation with this appliance other than those recommended in this instruction manual may present a risk of personal injury.
- Retain this manual for future reference.

IMPORTANT

**READ CAREFULLY BEFORE USE
KEEP FOR FUTURE REFERENCE**

SAFE OPERATING PRACTICES

Training

- Read the instructions carefully. Be familiar with the controls and the correct use of the machine.
- Never allow children or people unfamiliar with these instructions to use the machine.** Local regulations can restrict the age of the operator.
- Keep in mind that the operator or user is responsible for accidents or hazards occurring to other people or their property.

Preparation

- Before use, always visually inspect the machine for damaged, missing or misplaced guards or shields.
- Never operate the machine while people, especially children, or pets are nearby.
- The brush cutter blade has sharp edges.** Wear gloves when handling blade

Operation

- Wear eye protection and stout shoes at all times while operating the machine.

- b) Avoid using the machine in bad weather conditions especially when there is a risk of lightning.
 - c) Use the machine only in daylight or good artificial light.
 - d) Never operate the machine with damaged guards or shields or without guards or shields in place.
 - e) Switch on the motor only when the hands and feet are away from the cutting means.
 - f) **Always disconnect the machine from the power supply (i.e. remove the plug from the mains, remove the disabling device or removable battery)**
 - whenever the machine is left unattended;
 - before clearing a blockage;
 - before checking, cleaning or working on the machine;
 - after striking a foreign object;
 - whenever the machine starts vibrating abnormally.
 - g) Take care against injury to feet and hands from the cutting means.
 - h) Always ensure that the ventilation openings are kept clear of debris.
 - i) **When using the brush cutter there is a risk of kickback if it contacts a solid object (tree trunk, branch, or rock).** The unit will kick to the opposite direction of the brush cutter blade's rotation.
 - j) Remove any objects that may cause kickback, such as branches and rocks.
 - k) Check for loose fasteners and damaged parts, such as cracks in the cutting attachment.
- Only use the appliance in the upright position, with the cutting line near the ground. Never switch the appliance on in any other position.
 - Move slowly when using the appliance. Be aware that freshly cut grass is damp and slippery.
 - Do not work on steep slopes. Work across the face of slopes, not up and down.
 - Never cross gravel paths or roads while the appliance is running.
 - Never touch the cutting line while the appliance is running.
 - Do not put the appliance down until the cutting line has come to a complete standstill.
 - Use only the appropriate type of cutting line. Never use metal cutting line or fishing line.
 - Keep hands and feet away from the cutting line and blade at all times, especially when switching on the motor.
 - Before using the appliance and after any impact, check for signs of wear or damage and repair as necessary.
 - Take care against injury from any device fitted for trimming the filament line length. After extending new cutter line always return the machine to its normal operating position before switching on.
 - Close supervision is necessary when the appliance is used near children.
 - This appliance is not intended for use by young or infirm persons without supervision.
 - This appliance is not to be used as a toy.
 - Use in a dry location only. Do not allow the appliance to become wet.
 - Do not immerse the appliance in water.
 - Do not open the body casing. There are not user-serviceable parts inside
 - Do not operate the appliance in explosive atmospheres, such as in the presence of flammable liquids, gases or dust.
 - When the appliance is stored or transported in a vehicle it should be placed in the boot or restrained to prevent movement following sudden changes in speed or direction.
 - When not in use, the appliance should be stored in a dry, well ventilated place out of reach of children.
 - Children should not have access to stored appliances.

Maintenance and storage

- a) **Disconnect the machine from the power supply (i.e. remove the plug from the mains, remove the disabling device or removable battery)** before carrying out maintenance or cleaning work.
 - b) Use only the manufacturer's recommended replacement parts and accessories.
 - c) **Inspect and maintain the machine regularly.** Have the machine repaired only by an authorized repairer.
 - d) When not in use, store the machine out of the reach of children.
 - e) Use blade cover for metal blades during transport and storage.
 - f) Clean before storing, including the use of guards on cutting attachments with metal blades.
- Do not operate the appliance in explosive atmospheres, such as in the presence of flammable liquids, gases or dust.
 - When the appliance is stored or transported in a vehicle it should be placed in the boot or restrained to prevent movement following sudden changes in speed or direction.
 - When not in use, the appliance should be stored in a dry, well ventilated place out of reach of children.
 - Children should not have access to stored appliances.

Safety of Others

- This appliance is not intended for use by persons (including children) with reduced physical, sensory or mental capabilities, or lack of experience and knowledge, unless they have been given supervision or instruction concerning use of the appliance by a person responsible for their safety.
- Children must be supervised to ensure that they do not play with the appliance.

ADDITIONAL SAFETY INSTRUCTIONS FOR GRASS TRIMMERS / BRUSH CUTTERS



WARNING: Cutting elements continue to rotate after the motor is switched off.

- Wear long trousers to protect your legs.
- Before using the appliance, check that your cutting path is free from sticks, stones, wire and any other obstacles.

Residual Risks

To ensure you have good footing on slopes, do not overreach. Keep your balance at all times. Always walk, do not run.


Additional residual risks may arise when using the tool which may not be included in the enclosed safety warnings. These risks can arise from misuse, prolonged use etc.


Even with the application of the relevant safety regulations and the implementation of safety devices, certain residual risks can not be avoided. These include:

- *Injuries caused by touching any rotating/moving parts.*
- *Injuries caused when changing any parts, blades or accessories.*
- *Injuries caused by prolonged use of a tool. When using any tool for prolonged periods ensure you take regular breaks.*
- *Impairment of hearing.*
- *Health hazards caused by breathing dust developed when using your tool (example: working with wood, especially oak, beech and MDF).*

Electrical Safety

The electric motor has been designed for one voltage only. Always check that the battery pack voltage corresponds to the voltage on the rating plate. Also make sure that the voltage of your charger corresponds to that of your mains.

 Your DEWALT charger is double insulated in accordance with EN60335; therefore no earth wire is required.

 **WARNING:** 115 V units have to be operated via a fail-safe isolating transformer with an earth screen between the primary and secondary winding.

If the supply cord is damaged, it must be replaced by a specially prepared cord available through the DEWALT service organisation.

Mains Plug Replacement (U.K. & Ireland Only)

If a new mains plug needs to be fitted:

- *Safely dispose of the old plug.*
- *Connect the brown lead to the live terminal in the plug.*
- *Connect the blue lead to the neutral terminal.*

 **WARNING:** No connection is to be made to the earth terminal.

Follow the fitting instructions supplied with good quality plugs. Recommended fuse: 3 A.

Using an Extension Cable

An extension cord should not be used unless absolutely necessary. Use an approved extension cable suitable for the power input of your charger (see **Technical Data**). The minimum conductor size is 1 mm²; the maximum length is 30 m.

When using a cable reel, always unwind the cable completely.

SAVE THESE INSTRUCTIONS

Chargers


DEWALT chargers require no adjustment and are designed to be as easy as possible to operate.


Important Safety Instructions for All Battery Chargers


SAVE THESE INSTRUCTIONS: This manual contains important safety and operating instructions for compatible battery chargers (refer to **Technical Data**).

- *Before using charger, read all instructions and cautionary markings on charger, battery pack, and product using battery pack.*

 **WARNING:** Shock hazard. Do not allow any liquid to get inside charger. Electric shock may result.

 **WARNING:** We recommend the use of a residual current device with a residual current rating of 30mA or less.

 **CAUTION:** Burn hazard. To reduce the risk of injury, charge only DEWALT rechargeable batteries. Other types of batteries may burst causing personal injury and damage.

 **CAUTION:** Children should be supervised to ensure that they do not play with the appliance.

NOTICE: Under certain conditions, with the charger plugged into the power supply, the exposed charging contacts inside the charger can be shorted by foreign material. Foreign materials of a conductive nature such as, but not limited to, steel wool, aluminum foil or any buildup of metallic particles should be kept away from charger cavities. Always unplug the charger from the power supply when there is no battery pack in the cavity. Unplug charger before attempting to clean

- **DO NOT attempt to charge the battery pack with any chargers other than the ones in this manual.** The charger and battery pack are specifically designed to work together.
- **These chargers are not intended for any uses other than charging DEWALT rechargeable batteries.** Any other uses may result in risk of fire, electric shock or electrocution.
- **Do not expose charger to rain or snow.**
- **Pull by plug rather than cord when disconnecting charger.** This will reduce risk of damage to electric plug and cord.
- **Make sure that cord is located so that it will not be stepped on, tripped over, or otherwise subjected to damage or stress.**
- **Do not use an extension cord unless it is absolutely necessary.** Use of improper extension cord could result in risk of fire, electric shock, or electrocution.

- **Do not place any object on top of charger or place the charger on a soft surface that might block the ventilation slots and result in excessive internal heat.** Place the charger in a position away from any heat source. The charger is ventilated through slots in the top and the bottom of the housing.
- **Do not operate charger with damaged cord or plug**—have them replaced immediately.
- **Do not operate charger if it has received a sharp blow, been dropped, or otherwise damaged in any way.** Take it to an authorised service centre.
- **Do not disassemble charger; take it to an authorised service centre when service or repair is required.** Incorrect reassembly may result in a risk of electric shock, electrocution or fire.
- *In case of damaged power supply cord the supply cord must be replaced immediately by the manufacturer, its service agent or similar qualified person to prevent any hazard.*
- **Disconnect the charger from the outlet before attempting any cleaning. This will reduce the risk of electric shock.** Removing the battery pack will not reduce this risk.
- **NEVER attempt to connect two chargers together.**
- **The charger is designed to operate on standard 230V household electrical power. Do not attempt to use it on any other voltage.** This does not apply to the vehicular charger.







Charging a Battery (Fig. B)

1. Plug the charger into an appropriate outlet before inserting battery pack.
2. Insert the battery pack **14** into the charger, making sure the battery pack is fully seated in the charger. The red (charging) light will blink repeatedly indicating that the charging process has started.
3. The completion of charge will be indicated by the red light remaining ON continuously. The battery pack is fully charged and may be used at this time or left in the charger. To remove the battery pack from the charger, push the battery release button **15** on the battery pack.

NOTE: To ensure maximum performance and life of lithium-ion battery packs, charge the battery pack fully before first use.

Charger Operation

Refer to the indicators below for the charge status of the battery pack.

Charge Indicators		
	Charging	
	Fully Charged	
	Hot/Cold Pack Delay*	

*The red light will continue to blink, but a yellow indicator light will be illuminated during this operation. Once the battery pack has reached an appropriate temperature, the yellow light will turn off and the charger will resume the charging procedure.

The compatible charger(s) will not charge a faulty battery pack. The charger will indicate faulty battery by refusing to light or by displaying problem pack or charger blink pattern.

NOTE: This could also mean a problem with a charger. If the charger indicates a problem, take the charger and battery pack to be tested at an authorised service centre.

Hot/Cold Pack Delay

When the charger detects a battery pack that is too hot or too cold, it automatically starts a Hot/Cold Pack Delay, suspending charging until the battery pack has reached an appropriate temperature. The charger then automatically switches to the pack charging mode. This feature ensures maximum battery pack life.

A cold battery pack will charge at a slower rate than a warm battery pack. The battery pack will charge at that slower rate throughout the entire charging cycle and will not return to maximum charge rate even if the battery pack warms.

The DCB118 charger is equipped with an internal fan designed to cool the battery pack. The fan will turn on automatically when the battery pack needs to be cooled. Never operate the charger if the fan does not operate properly or if ventilation slots are blocked. Do not permit foreign objects to enter the interior of the charger.

Electronic Protection System


XR Li-Ion tools are designed with an Electronic Protection System that will protect the battery pack against overloading, overheating or deep discharge.

The tool will automatically turn off if the Electronic Protection System engages. If this occurs, place the lithium-ion battery pack on the charger until it is fully charged.

Wall Mounting

These chargers are designed to be wall mountable or to sit upright on a table or work surface. If wall mounting, locate the charger within reach of an electrical outlet, and away from a corner or other obstructions which may impede air flow. Use the back of the charger as a template for the location of the mounting screws on the wall. Mount the charger securely using drywall screws (purchased separately) at least 25.4 mm long with a screw head diameter of 7–9 mm, screwed into wood to an optimal depth leaving approximately 5.5 mm of the screw exposed. Align the slots on the back of the charger with the exposed screws and fully engage them in the slots.

Charger Cleaning Instructions

 **WARNING: Shock hazard. Disconnect the charger from the AC outlet before cleaning.** Dirt and grease may be removed from the exterior of the charger using a

cloth or soft non-metallic brush. Do not use water or any cleaning solutions. Never let any liquid get inside the tool; never immerse any part of the tool into a liquid.

Battery Packs

Important Safety Instructions for All Battery Packs

When ordering replacement battery packs, be sure to include catalog number and voltage.

The battery pack is not fully charged out of the carton. Before using the battery pack and charger, read the safety instructions below. Then follow charging procedures outlined.

READ ALL INSTRUCTIONS

- **Do not charge or use battery in explosive atmospheres, such as in the presence of flammable liquids, gases or dust.** Inserting or removing the battery from the charger may ignite the dust or fumes.
- **Never force battery pack into charger. Do not modify battery pack in any way to fit into a non-compatible charger as battery pack may rupture causing serious personal injury.**
- Charge the battery packs only in DEWALT chargers.
- **DO NOT** splash or immerse in water or other liquids.
- **Do not store or use the tool and battery pack in locations where the temperature may reach or exceed 40 °C (104 °F) (such as outside sheds or metal buildings in summer).**
- **Do not incinerate the battery pack even if it is severely damaged or is completely worn out.** The battery pack can explode in a fire. Toxic fumes and materials are created when lithium-ion battery packs are burned.
- **If battery contents come into contact with the skin, immediately wash area with mild soap and water.** If battery liquid gets into the eye, rinse water over the open eye for 15 minutes or until irritation ceases. If medical attention is needed, the battery electrolyte is composed of a mixture of liquid organic carbonates and lithium salts.
- **Contents of opened battery cells may cause respiratory irritation.** Provide fresh air. If symptoms persists, seek medical attention.



WARNING: Burn hazard. Battery liquid may be flammable if exposed to spark or flame.



WARNING: Never attempt to open the battery pack for any reason. If battery pack case is cracked or damaged, do not insert into charger. Do not crush, drop or damage battery pack. Do not use a battery pack or charger that has received a sharp blow, been dropped, run over or damaged in any way (i.e., pierced with a nail, hit with a hammer, stepped on). Electric shock or electrocution may result. Damaged battery packs should be returned to service centre for recycling.



WARNING: Fire hazard. Do not store or carry the battery pack so that metal objects can contact exposed battery terminals. For example, do not place the battery pack in aprons, pockets, tool boxes, product kit boxes, drawers, etc., with loose nails, screws, keys, etc.



CAUTION: When not in use, place tool on its side on a stable surface where it will not cause a tripping or falling hazard. Some tools with large battery packs will stand upright on the battery pack but may be easily knocked over.

Transportation



WARNING: Fire hazard. Transporting batteries can possibly cause fire if the battery terminals inadvertently come in contact with conductive materials. When transporting batteries, make sure that the battery terminals are protected and well insulated from materials that could contact them and cause a short circuit.

DEWALT batteries comply with all applicable shipping regulations as prescribed by industry and legal standards which include UN Recommendations on the Transport of Dangerous Goods; International Air Transport Association (IATA) Dangerous Goods Regulations, International Maritime Dangerous Goods (IMDG) Regulations, and the European Agreement Concerning The International Carriage of Dangerous Goods by Road (ADR). Lithium-ion cells and batteries have been tested to section 38.3 of the UN Recommendations on the Transport of Dangerous Goods Manual of Tests and Criteria.

In most instances, shipping a DEWALT battery pack will be excepted from being classified as a fully regulated Class 9 Hazardous Material. In general, only shipments containing a lithium-ion battery with an energy rating greater than 100 Watt Hours (Wh) will require being shipped as fully regulated Class 9. All lithium-ion batteries have the Watt Hour rating marked on the pack. Furthermore, due to regulation complexities, DEWALT does not recommend air shipping lithium-ion battery packs alone regardless of Watt Hour rating. Shipments of tools with batteries (combo kits) can be air shipped as excepted if the Watt Hour rating of the battery pack is no greater than 100 Whr.

Regardless of whether a shipment is considered excepted or fully regulated, it is the shipper's responsibility to consult the latest regulations for packaging, labeling/marketing and documentation requirements.

The information provided in this section of the manual is provided in good faith and believed to be accurate at the time the document was created. However, no warranty, expressed or implied, is given. It is the buyer's responsibility to ensure that its activities comply with the applicable regulations.

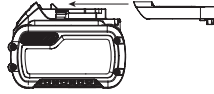
Transporting the FLEXVOLT™ Battery

The DeWALT FLEXVOLT™ battery has two modes: **Use** and **Transport**.

Use Mode: When the FLEXVOLT™ battery stands alone or is in a DeWALT 18V product, it will operate as an 18V battery. When the FLEXVOLT™ battery is in a 54V or a 108V (two 54V batteries) product, it will operate as a 54V battery.

Transport Mode: When the cap is attached to the FLEXVOLT™ battery, the battery is in Transport mode. Keep the cap for shipping.

When in Transport mode, strings of cells are electrically disconnected within the pack resulting in 3 batteries with a lower Watt hour (Wh) rating as compared to 1 battery with a higher Watt hour rating. This increased quantity of 3 batteries with the lower Watt hour rating can exempt the pack from certain shipping regulations that are imposed upon the higher Watt hour batteries.



For example, the Transport Wh rating might indicate 3 x 36 Wh, meaning 3 batteries of 36 Wh each. The Use Wh rating might indicate 108 Wh (1 battery implied).

Example of Use and Transport Label Marking



Storage Recommendations

1. The best storage place is one that is cool and dry away from direct sunlight and excess heat or cold. For optimum battery performance and life, store battery packs at room temperature when not in use.
2. For long storage, it is recommended to store a fully charged battery pack in a cool, dry place out of the charger for optimal results.

NOTE: Battery packs should not be stored completely depleted of charge. The battery pack will need to be recharged before use.

Labels on Charger and Battery Pack

In addition to the pictographs used in this manual, the labels on the charger and the battery pack may show the following pictographs:



Read instruction manual before use.



See **Technical Data** for charging time.



Do not probe with conductive objects.



Do not charge damaged battery packs.



Do not expose to water.



Have defective cords replaced immediately.



Charge only between 4 °C and 40 °C.



Only for indoor use.



Discard the battery pack with due care for the environment.

LI-ION



Charge DeWALT battery packs only with designated DeWALT chargers. Charging battery packs other than the designated DeWALT batteries with a DeWALT charger may make them burst or lead to other dangerous situations.



Do not incinerate the battery pack.

Battery Type

The DCM571 operates on a 54-volt battery pack.

These battery packs may be used: DCB546, DCB547. Refer to **Technical Data** for more information.

Package Contents

The package contains:

- 1 String trimmer
- 1 Auxiliary handle
- 4 Auxiliary handle screws
- 1 Strap
- 1 Guard
- 4 Guard screws
- 1 Brush cutter blade
- 1 Brush cutter nut
- 1 Brush cutter clamp washer
- 1 Brush cutter drive washer
- 5 Cotter pins
- 1 Nut wrench
- 1 Rod, lock
- 1 Blade cover
- 1 Battery (not for DCM571N)
- 1 Charger (not for DCM571N)
- 1 Instruction manual

- Check for damage to the tool, parts or accessories which may have occurred during transport.

- Take the time to thoroughly read and understand this manual prior to operation.

Markings on Tool

The following pictograms are shown on the tool:



Read instruction manual before use.



Wear ear protection.



Wear eye protection.



Do not expose the tool to rain or high humidity or leave outdoors while it is raining.



Switch the tool off. Before performing any maintenance on the tool, remove the battery from the tool.



Wear head protection.



Wear slip-resistant footwear.



Wear slip-resistant gloves.



Keep people and animals at least 15 m away from the work area.



Do not use circular metal blades.



Beware of thrown objects.



Beware of blade thrust.



Keep bystanders away.



Directive 2000/14/EC guaranteed sound power.

Date Code Position (Fig. U)

The date code **45** which also includes the year of manufacture, is printed into the housing.

Example:

2016 XX XX

Year of Manufacture

Description (Fig. A)



WARNING: Never modify the power tool or any part of it. Damage or personal injury could result.

- 1 Variable speed trigger
- 2 Lock-off lever
- 3 Lock-off tab
- 4 Handle
- 5 Speed control switch
- 6 Auxiliary handle
- 7 Motor housing
- 8 Trimmer pole
- 9 Strap mount
- 10 Strap
- 11 Guard
- 12 Spool housing
- 13 Battery housing
- 14 Battery pack
- 15 Battery release button
- 16 Brush cutter blade
- 17 Nut wrench
- 18 Blade cover

Intended Use

Your string trimmer / brush cutter has been designed for professional trimming applications.

DO NOT use under wet conditions or in the presence of flammable liquids or gases.

DO NOT let children come into contact with the tool. Supervision is required when inexperienced operators use this tool.

- **Young children and the infirm.** This appliance is not intended for use by young children or infirm persons without supervision.
- This product is not intended for use by persons (including children) suffering from diminished physical, sensory or mental abilities; lack of experience, knowledge or skills unless they are supervised by a person responsible for their safety. Children should never be left alone with this product.

ASSEMBLY AND ADJUSTMENTS



WARNING: To reduce the risk of serious personal injury, turn tool off and disconnect battery pack before making any adjustments or removing/installing attachments or accessories. An accidental start-up can cause injury.



WARNING: Use only DEWALT battery packs and chargers.

Inserting and Removing the Battery Pack from the Tool (Fig. C, D)

NOTE: Make sure your battery pack **7** is fully charged.

To Install the Battery Pack into the Tool

1. Align the battery pack **14** with the rails inside the tool (Fig. C).
2. Slide it in until the battery pack is firmly seated in the tool and ensure that you hear the lock snap into place.

To Remove the Battery Pack from the Tool

1. Press the release button **15** and firmly pull the battery pack out of the tool handle.
2. Insert battery pack into the charger as described in the charger section of this manual.

Fuel Gauge Battery Packs (Fig. E)

Some DEWALT battery packs include a fuel gauge which consists of three green LED lights that indicate the level of charge remaining in the battery pack.

To actuate the fuel gauge, press and hold the fuel gauge button **19**. A combination of the three green LED lights will illuminate designating the level of charge left. When the level of charge in the battery is below the usable limit, the fuel gauge will not illuminate and the battery will need to be recharged.

NOTE: The fuel gauge is only an indication of the charge left on the battery pack. It does not indicate tool functionality and is subject to variation based on product components, temperature and end-user application.

Assembly (Fig. F - I)

Removing spool housing (Fig. F, G)

1. Insert the rod **46** through the hole **21** in the string trimmer drive washer (small) **20** and into the hole **22** in the motor housing **7** as shown in figure F.
2. Turn the spool housing **12** clockwise as shown in figure G.
3. Remove the spool housing and the drive washer from the trimmer.

Attaching guard (Fig. H, I)



WARNING: Never operate appliance without guard firmly in place. Damage or personal injury could result.

1. Remove the spool housing **12** as described in the "Removing the spool housing" section.
2. To attached the guard, slide the tab **23** of the guard under the lip **24** of the motor housing **7**, then lower the back of the guard into place as shown in figure H.
3. Replace and securely tighten the 4 guard screws **25** with the wrench **17** as shown in figure I.
4. Replace the spool housing as described in the "Attaching Spool Housing" section below.

Attaching spool housing (Fig I, J)

1. Slide the string trimmer drive washer (small) **20** down over the the bolt **26** protruding from the trimmer so that its hole **21** lines up with the hole **22** in the motor housing **7**.
2. Rotate the washer and motor housing until their holes line up with the notch **27** in the guard **11**.
3. Insert a screwdriver through the three holes, thread the spool housing counterclockwise, and securely tighten onto the bolt.

Attaching blade (Fig. K)



WARNING: Risk of injury. Brush cutter blade has sharp edges. Wear gloves when handling blade.

1. Remove the spool housing **12** and the string trimmer drive washer (small) **20** as described in the "Removing the spool housing" section.
2. Slide the brush cutter drive washer (large) **28** down over the the bolt **26** protruding from the trimmer so that its hole **29** lines up with the hole **22** in the motor housing **7**.
3. Slide the brush cutter blade **16** on top of drive washer so that the inner, non-cutting edge **30** lines up with the hole of the drive washer. This will allow for easier and safer removal of the blade later.
4. Slide the brush cutter clamp washer **31** on top of the blade so that the wider side is flat against the blade.
5. Screw the brush cutter nut **32** onto the bolt with the wrench **17**. Ensure the nut is securely tightened.
6. Slide the cotter pin **33** fully through the hole in the bolt.

Attaching auxiliary handle (Fig. L)

1. Place the auxiliary handle **6** onto the top of the trimmer pole **8** above the label placed in the middle of the pole.
2. Slide the bracket **34** of the auxiliary handle into the bottom of the handle.
3. Thread the handle bolts **35** through the bracket and into the handle.
4. Tighten the handle bolts with the wrench **17**. Ensure the handle is securely attached.

If adjustment is necessary, loosen the handle bolts and slide the auxiliary handle up or down the trimmer pole. Then, retighten the bolts.

Replacing guard (Fig. M)

1. Remove the spool housing **12** as described in the "Removing the spool housing" section.
2. Remove the 4 guard screws **25** shown in figure L.
3. Lift the guard off at an angle as shown in figure M.
4. Install the new guard as described in the "Attaching guard" section.

Attaching strap

Hook the strap **10** to the strap mount **9** and place strap on one shoulder for extra support while using the trimmer or brush cutter.

OPERATION

Instructions for Use



WARNING: Always observe the safety instructions and applicable regulations.



WARNING: To reduce the risk of serious personal injury, turn tool off and disconnect battery pack before making any adjustments or removing/installing attachments or accessories. An accidental start-up can cause injury.

Proper Hand Position (Fig. O)



WARNING: To reduce the risk of serious personal injury, ALWAYS use proper hand position as shown.



WARNING: To reduce the risk of serious personal injury, ALWAYS hold securely in anticipation of a sudden reaction.

Proper hand position requires one hand on the handle **4**, with the other hand on the auxiliary handle **6**.

Switching On

To turn the appliance on, push the lock off tab **3** forward, squeeze the lock-off lever **2**, and then squeeze the variable speed trigger **1**.

To turn the appliance off, release the variable speed trigger, the lock-off lever, and tab.

Speed Control Switch

This string trimmer gives you the choice to operate at a more efficient speed to extend the runtime for larger jobs, or accelerate the trimmer speed for high-performance cutting.

To extend runtime, push the speed control switch **5** forward toward the auxiliary handle **6** into the "LO" position. This mode is best for larger projects that require more time to complete.

To accelerate the trimmer, pull the speed control switch back toward the battery housing **13** into the "HI" position.

This mode is best to cut through heavier growth and for applications that need higher RPM.

NOTE: When in "HI" mode, runtime will be decreased as compared to when trimmer is in "LO" mode.

Trimming / Brush cutting (Fig. N, O)

With the trimmer on, angle it and swing side to side as shown in figure N.

Maintain a minimum distance of 610 mm between the guard and your feet as shown in figure O.



WARNING: Keep the rotating string roughly parallel with the ground (tilted no more than 30 degrees). This trimmer is not an edger. DO NOT TILT the trimmer so that the string or brush cutter blade **16** is spinning near a right angle to the ground. Flying debris can cause serious injury.

Bump Feed Trimmer Line Feed



WARNING: To avoid personal injury, never bump the unit when the brush cutter assembly is attached to the motor housing.

Your trimmer uses 2.032 mm diameter nylon line. Cutting line will wear faster and require more feeding if the cutting is done along sidewalks or other abrasive surfaces or heavier weeds are being cut.

As you use the trimmer, the string will get shorter due to wear. Gently bump the trimmer on the ground while running at normal speed and the line will feed.

NOTE: Extending nylon line beyond the 330 mm swath will negatively affect performance, runtime, and the life of the trimmer due to potential of damaging motor. Doing so may void the warranty.

Helpful Cutting Tips

- Use the tip of the string to do the cutting; do not force string head into uncut grass.
- Wire and picket fences cause extra string wear, even breakage. Stone and brick walls, curbs, and wood may wear string rapidly.
- Do not allow spool cap to drag on ground or other surfaces.
- In long growth, cut from the top down and do not exceed 304.8 mm high.
- Keep trimmer tilted toward the area being cut; this is the best cutting area.
- The trimmer cuts when passing the unit from the left to right. This will avoid throwing debris at the operator.
- Avoid trees and shrubs. Tree bark, wood moldings, siding, and fence posts can easily be damaged by the string.

Replacement Accessories



WARNING: To reduce the risk of serious personal injury, turn appliance off and remove battery before making any adjustments or removing/installing attachments or accessories.



WARNING: The use of any accessory not recommended by DEWALT for use with this appliance could be hazardous.



WARNING: Do not use any blades, or any accessory or attachment other than those recommended by DEWALT on this trimmer. Serious injury or product damage may result.

Use DEWALT replacement line Model No. DT20650 (2mm), DT20651 (2mm), DT20652 (2.5mm).

- For optimal performance, use Dewalt DT20650/51. DEWALT DT20652 can also be use but may degrade runtime of the trimmer. Using any other line with the trimmer can degrade performance and/or cause damage to the trimmer.

Use DEWALT replacement blades Model No. DT20653 255mm (Tri-Blade Brush Knife), DT20654 (255mm Grass Cutting Blade), DT20655 (230mm 4T Grass Cutting Blade).

Replacing the Cutting Line (Fig. P–S)



CAUTION: To avoid appliance damage, if the cutting line protrudes beyond the trimming blade, cut it off so that it just reaches the blade.

1. Remove battery.
2. Turn spool **36** clockwise to unlock as shown in figure P. The white nub **37** inside the spool will rotate away from the spool window **38** to indicate it is unlocked.
3. Pull the spool straight out to remove.
4. Remove any dirt and grass from the spool and housing.
5. First, wind new line in the channel of the spool closest to the holding slots **39** as shown in figure Q.
6. Place the end of the cutting line **40** into the retaining hole **41**.
7. Wind the cutting line onto the spool in the direction of the arrow on the bottom of the spool.
8. When the wound cutting line reaches the beginning of the holding slots, cut the line approximately 106 mm.
9. Push the line in the holding slots on one side of the spool to hold the first line while you wind the second line.
10. Repeat the above procedure for the second cutting line on the lower section of the spool.



CAUTION: Before you begin trimming, only use the appropriate type of cutting line. Ensure that cutting line is present in both sections of the spool as shown in Figure R.

11. Once both lines are wrapped around the spool **36**, place your thumb and finger on the holding slots to further secure the string and feed the end of each line through the two holes **43** on either side of the head in the spool housing **12** as shown in figure S.
12. Line up the white nubs **37** inside the spool housing with the recesses **42** of the spool. Align the holding slots **39** with the two holes **43** as close as possible.
13. Push the spool into the spool housing and turn counterclockwise to lock the spool in place. Ensure the white nub appears in the spool window **38**. Make sure the line doesn't unravel and wrap around the shaft below the spool.

14. Pull both ends of the cutting line to release them from the holding slots. If the line extends past the cutting blade on the guard cut the line so it just reaches the blade.

MAINTENANCE

Your DEWALT power tool has been designed to operate over a long period of time with a minimum of maintenance. Continuous satisfactory operation depends upon proper tool care and regular cleaning.



WARNING: To reduce the risk of serious personal injury, turn tool off and disconnect battery pack before making any adjustments or removing/installing attachments or accessories. An accidental start-up can cause injury.

1. Keep the air intake slots **44**, shown in figure T, clean to avoid overheating.
2. Your trimmer line can dry out over time. To keep your line in top condition, store spare line in a plastic, sealable bag with a tablespoon of water.
3. Plastic parts may be cleaned by using a mild soap and a damp rag.
4. The line cutter on the edge of the guard can dull over time. It is recommended you periodically touch-up the sharpness of the blade with a file.

The charger and battery pack are not serviceable.



Lubrication

Your power tool requires no additional lubrication.



Cleaning



WARNING: Blow dirt and dust out of the main housing with dry air as often as dirt is seen collecting in and around the air vents. Wear approved eye protection and approved dust mask when performing this procedure.



WARNING: Never use solvents or other harsh chemicals for cleaning the non-metallic parts of the tool. These chemicals may weaken the materials used in these parts. Use a cloth dampened only with water and mild soap. Never let any liquid get inside the tool; never immerse any part of the tool into a liquid.

Optional Accessories



WARNING: Since accessories, other than those offered by DEWALT, have not been tested with this product, use of such accessories with this tool could be hazardous. To reduce the risk of injury, only DEWALT recommended accessories should be used with this product.

Consult your dealer for further information on the appropriate accessories.

Protecting the Environment



Separate collection. Products and batteries marked with this symbol must not be disposed of with normal household waste.

Products and batteries contain materials that can be recovered or recycled reducing the demand for raw materials. Please recycle electrical products and batteries according to local provisions. Further information is available at www.2helpU.com.

Rechargeable Battery Pack

This long life battery pack must be recharged when it fails to produce sufficient power on jobs which were easily done before. At the end of its technical life, discard it with due care for our environment:

- Run the battery pack down completely, then remove it from the tool.
- Li-Ion cells are recyclable. Take them to your dealer or a local recycling station. The collected battery packs will be recycled or disposed of properly

Belgique et Luxembourg België en Luxemburg	DEWALT - Belgium BVBA Egide Walschaertsstraat 16 2800 Mechelen	Tel: NL 32 15 47 37 63 Tel: FR 32 15 47 37 64 Fax: 32 15 47 37 99	www.dewalt.be enduser.BE@sbdinc.com
Danmark	DEWALT Roskildevej 22 2620 Albertslund	Tel: 70 20 15 10 Fax: 70 22 49 10	www.dewalt.dk kundeservice.dk@sbdinc.com
Deutschland	DEWALT Richard Klinger Str. 11 65510 Idstein	Tel: 06126-21-1 Fax: 06126-21-2770	www.dewalt.de infodwge@sbdinc.com
Ελλάς	DEWALT (Ελλάς) Α.Ε. ΕΔΡΑ-ΓΡΑΦΕΙΑ : Στράβωνος 7 & Λ. Βουλιαγμένης, Γλυφάδα 166 74, Αθήνα SERVICE : Ημερος Τόπος 2 (Χάνι Αδάμ) – 193 00 Ασπρόπυργος	Τηλ: 00302108981616 Φαξ: 00302108983570	www.dewalt.gr Greece.Service@sbdinc.com
España	DEWALT Ibérica, S.C.A. Parc de Negocios "Mas Blau" Edificio Muntadas, c/Bergadá, 1, Of. A6 08820 El Prat de Llobregat (Barcelona)	Tel: 934 797 400 Fax: 934 797 419	www.dewalt.es respuesta.postventa@sbdinc.com
France	DEWALT 5, allée des Hêtres BP 30084, 69579 Limonest Cedex	Tel: 04 72 20 39 20 Fax: 04 72 20 39 00	www.dewalt.fr scufr@sbdinc.com
Schweiz Suisse Svizzera	DEWALT In der Luberzen 42 8902 Urdorf	Tel: 044 - 755 60 70 Fax: 044 - 730 70 67	www.dewalt.ch service@rofoag.ch
Ireland	DEWALT Calpe House Rock Hill Black Rock, Co. Dublin	Tel: 00353-2781800 Fax: 00353-2781811	www.dewalt.ie
Italia	DEWALT via Energypark 20871 Vimercate (MB), IT	Tel: 800-014353 39 039 9590200 Fax: 39 039 9590313	www.dewalt.it
Nederlands	DEWALT Netherlands BV Holtum Noordweg 35 6121 RE BORN, Postbus 83, 6120 AB BORN	Tel: 31 164 283 063 Fax: 31 164 283 200	www.dewalt.nl
Norge	DEWALT Postboks 4613, Nydalen 0405 Oslo	Tel: 45 25 13 00 Fax: 45 25 08 00	www.dewalt.no kundeservice.no@sbdinc.com
Österreich	DEWALT Werkzeug Vertriebsges m.b.H Oberlaaerstrasse 248, A-1230 Wien	Tel: 01 - 66116 - 0 Fax: 01 - 66116 - 614	www.dewalt.at service.austria@sbdinc.com
Portugal	DEWALT Limited, SARL Centro de Escritórios de Sintra Avenida Almirante Gago Coutinho, 132/134, Edificio 14 2710-418 Sintra	Tel: 214 66 75 00 Fax: 214 66 75 80	www.dewalt.pt resposta.posvenda@sbdinc.com
Suomi	DEWALT PL 47 00521 Helsinki	Puh: 010 400 4333 Faksi: 0800 411 340	www.dewalt.fi asiakaspalvelu.fi@sbdinc.com
Sverige	DEWALT Box 94 431 22 Mölndal	Tel: 031 68 61 60 Fax: 031 68 60 08	www.dewalt.se kundservice.se@sbdinc.com
Türkiye	KALE Hırdavat ve Makina A.Ş. Defterdar Mah. Savaklar Cad. No:15 Edirnekapı / Eyüp / İSTANBUL 34050 TÜRKİYE	Tel: 0212 533 52 55 Faks: 0212 533 10 05	www.dewalt.com.tr
United Kingdom	DEWALT, 210 Bath Road; Slough, Berks SL1 3YD	Tel: 01753-567055 Fax: 01753-572112	www.dewalt.co.uk emeaservice@sbdinc.com
Australia	DEWALT 82 Taryn Drive, Epping VIC 3076 Australia	Tel: Aust 1800 338 002 Tel: NZ 0800 339 258	www.dewalt.com.au www.dewalt.co.nz
Middle East Africa	DEWALT P.O. Box - 17164, Jebel Ali Free Zone (South), Dubai, UAE	Tel: 971 4 812 7400 Fax: 971 4 2822765	www.dewalt.ae Service.MEA@sbdinc.com