

**DEWALT®**

**[www.DEWALT.com](http://www.DEWALT.com)**

**DWE6423**

---

English ( <b>original instructions</b> )	3
--	---

---

Русский ( <i>перевод с оригинала инструкции</i> )	8
---	---

---

Українська ( <i>переклад з оригінальної інструкції</i> )	20
--	----

---

Fig. A

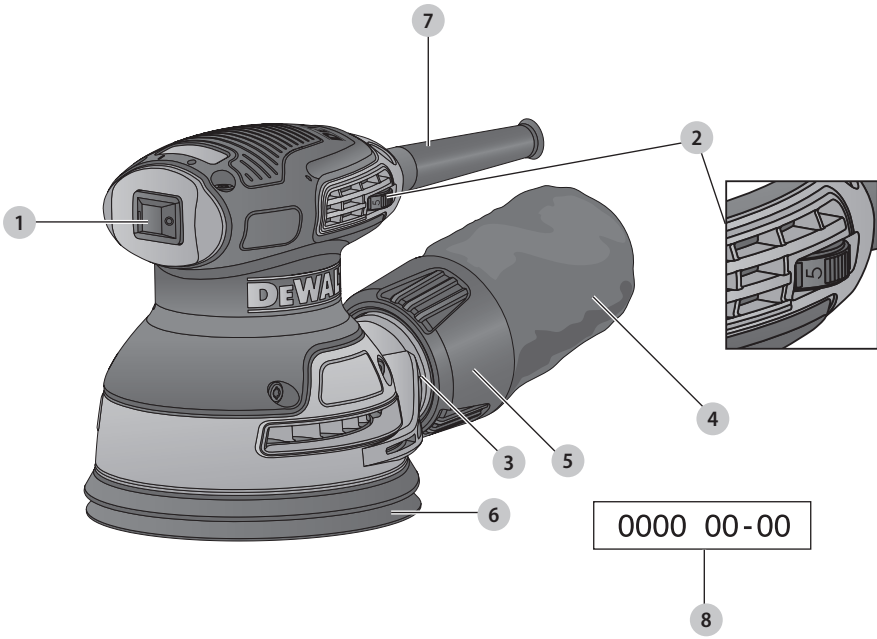


Fig. B

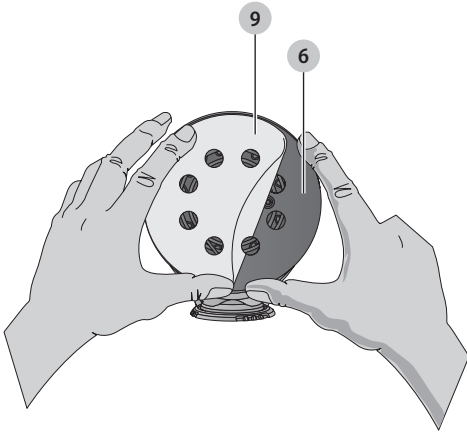


Fig. C

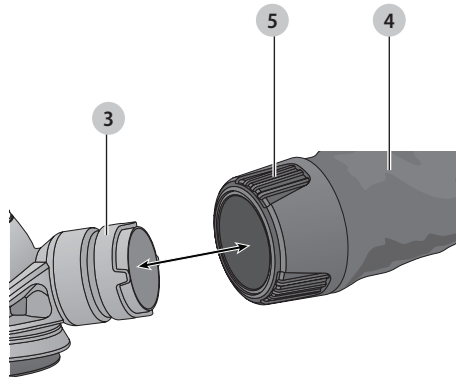


Fig. D

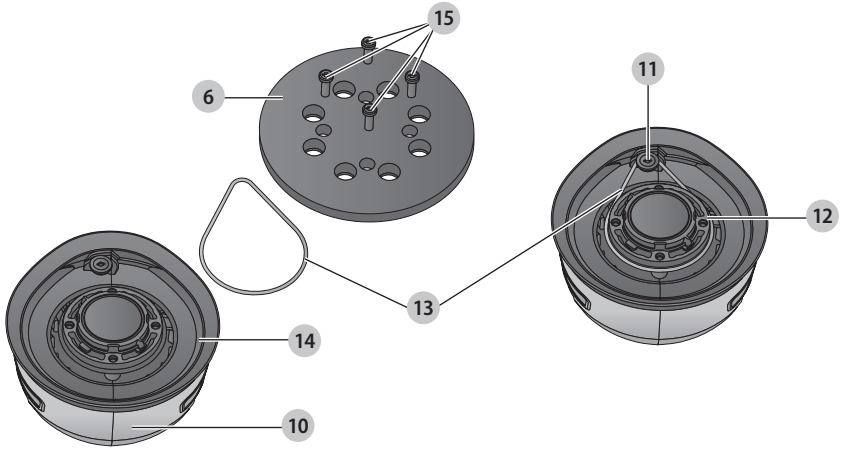
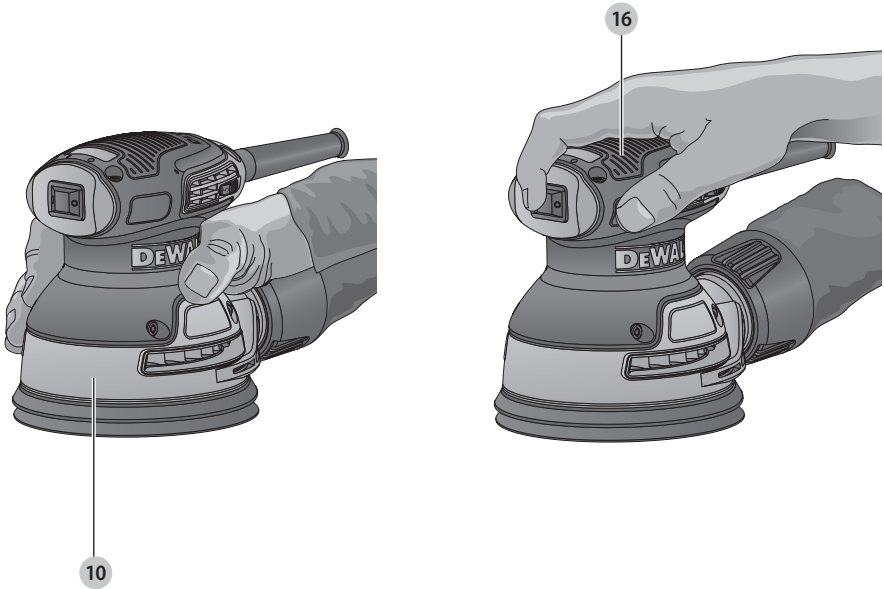


Fig. E



# 125 mm PALM GRIP SANDER DWE6423

## Congratulations!

You have chosen a DEWALT tool. Years of experience, thorough product development and innovation make DEWALT one of the most reliable partners for professional power tool users.

## Technical Data

		DWE6423
Voltage	$V_{oc}$	230
Type		1
Power output	W	280
Pad diameter	mm	125
Orbits	$\text{min}^{-1}$	8000–12000
Orbit $\varnothing$	mm	2.6
Weight	kg	1.28

Noise values and/or vibration values (triax vector sum) according to EN62841-2-4:

$L_{PA}$ (emission sound pressure level)	dB(A)	80
$L_{WA}$ (sound power level)	dB(A)	91
K (uncertainty for the given sound level)	dB(A)	3
Vibration emission value $a_{h1} =$		
Uncertainty K =	$\text{m/s}^2$	<2.5
	$\text{m/s}^2$	<1.5

The vibration and/or noise emission level given in this information sheet has been measured in accordance with a standardised test given in EN62841 and may be used to compare one tool with another. It may be used for a preliminary assessment of exposure.

**WARNING:** The declared vibration and/or noise emission level represents the main applications of the tool. However if the tool is used for different applications, with different accessories or poorly maintained, the vibration and/or noise emission may differ. This may significantly increase the exposure level over the total working period.

An estimation of the level of exposure to vibration and/or noise should also take into account the times when the tool is switched off or when it is running but not actually doing the job. This may significantly reduce the exposure level over the total working period.

Identify additional safety measures to protect the operator from the effects of vibration and/or noise such as: maintain the tool and the accessories, keep the hands warm (relevant for vibration), organisation of work patterns.

**WARNING:** Always wear hearing protection when working with the sander.

## EC-Declaration of Conformity

### Machinery Directive



### Palm Grip Sander DWE6423

DEWALT declares that these products described under **Technical Data** are in compliance with:

2006/42/EC, EN62841-1:2015, EN62841-2-4:2014.

These products also comply with Directive 2014/30/EU and 2011/65/EU. For more information, please contact DEWALT at the following address or refer to the back of the manual.

The undersigned is responsible for compilation of the technical file and makes this declaration on behalf of DEWALT.

Markus Rompel  
Vice President of Engineering, PTE-Europe  
DEWALT, Richard-Klinger-Straße 11,  
D-65510, Idstein, Germany  
26.02.2016



**WARNING:** To reduce the risk of injury, read the instruction manual.

## Definitions: Safety Guidelines

The definitions below describe the level of severity for each signal word. Please read the manual and pay attention to these symbols.



**DANGER:** Indicates an imminently hazardous situation which, if not avoided, **will** result in **death or serious injury**.



**WARNING:** Indicates a potentially hazardous situation which, if not avoided, **could** result in **death or serious injury**.



**CAUTION:** Indicates a potentially hazardous situation which, if not avoided, **may** result in **minor or moderate injury**.

**NOTICE:** Indicates a practice **not related to personal injury** which, if not avoided, **may** result in **property damage**.



Denotes risk of electric shock.



Denotes risk of fire.

## General Power Tool Safety Warnings



**WARNING:** Read all safety warnings, instructions, illustrations and specifications provided with this power tool. Failure to follow all instructions listed below may result in electric shock, fire and/or serious injury.

### SAVE ALL WARNINGS AND INSTRUCTIONS FOR FUTURE REFERENCE.

The term "power tool" in the warnings refers to your mains-operated (corded) power tool or battery-operated (cordless) power tool.

#### 1) Work Area Safety

- a) **Keep work area clean and well lit.** Cluttered or dark areas invite accidents.
- b) **Do not operate power tools in explosive atmospheres, such as in the presence of flammable liquids, gases or dust.** Power tools create sparks which may ignite the dust or fumes.
- c) **Keep children and bystanders away while operating a power tool.** Distractions can cause you to lose control.

#### 2) Electrical Safety

- a) **Power tool plugs must match the outlet. Never modify the plug in any way. Do not use any adapter plugs with earthed (grounded) power tools.**  
Unmodified plugs and matching outlets will reduce risk of electric shock.
- b) **Avoid body contact with earthed or grounded surfaces such as pipes, radiators, ranges and refrigerators.** There is an increased risk of electric shock if your body is earthed or grounded.
- c) **Do not expose power tools to rain or wet conditions.**  
Water entering a power tool will increase the risk of electric shock.
- d) **Do not abuse the cord. Never use the cord for carrying, pulling or unplugging the power tool. Keep cord away from heat, oil, sharp edges or moving parts.** Damaged or entangled cords increase the risk of electric shock.
- e) **When operating a power tool outdoors, use an extension cord suitable for outdoor use.** Use of a cord suitable for outdoor use reduces the risk of electric shock.
- f) **If operating a power tool in a damp location is unavoidable, use a residual current device (RCD) protected supply.** Use of an RCD reduces the risk of electric shock.

#### 3) Personal Safety

- a) **Stay alert, watch what you are doing and use common sense when operating a power tool. Do not use a power tool while you are tired or under the influence of drugs, alcohol or medication.** A moment of inattention while operating power tools may result in serious personal injury.
- b) **Use personal protective equipment. Always wear eye protection.** Protective equipment such as a dust mask, non-skid safety shoes, hard hat or hearing protection used for appropriate conditions will reduce personal injuries.

- c) **Prevent unintentional starting. Ensure the switch is in the off-position before connecting to power source and/or battery pack, picking up or carrying the tool.** Carrying power tools with your finger on the switch or energising power tools that have the switch on invites accidents.
- d) **Remove any adjusting key or wrench before turning the power tool on.** A wrench or a key left attached to a rotating part of the power tool may result in personal injury.
- e) **Do not overreach. Keep proper footing and balance at all times.** This enables better control of the power tool in unexpected situations.
- f) **Dress properly. Do not wear loose clothing or jewellery. Keep your hair and clothing away from moving parts.** Loose clothes, jewellery or long hair can be caught in moving parts.
- g) **If devices are provided for the connection of dust extraction and collection facilities, ensure these are connected and properly used.** Use of dust collection can reduce dust-related hazards.
- h) **Do not let familiarity gained from frequent use of tools allow you to become complacent and ignore tool safety principles.** A careless action can cause severe injury within a fraction of a second.

#### 4) Power Tool Use and Care

- a) **Do not force the power tool. Use the correct power tool for your application.** The correct power tool will do the job better and safer at the rate for which it was designed.
- b) **Do not use the power tool if the switch does not turn it on and off.** Any power tool that cannot be controlled with the switch is dangerous and must be repaired.
- c) **Disconnect the plug from the power source and/or remove the battery pack, if detachable, from the power tool before making any adjustments, changing accessories, or storing power tools.** Such preventive safety measures reduce the risk of starting the power tool accidentally.
- d) **Store idle power tools out of the reach of children and do not allow persons unfamiliar with the power tool or these instructions to operate the power tool.** Power tools are dangerous in the hands of untrained users.
- e) **Maintain power tools and accessories. Check for misalignment or binding of moving parts, breakage of parts and any other condition that may affect the power tool's operation. If damaged, have the power tool repaired before use.** Many accidents are caused by poorly maintained power tools.
- f) **Keep cutting tools sharp and clean.** Properly maintained cutting tools with sharp cutting edges are less likely to bind and are easier to control.
- g) **Use the power tool, accessories and tool bits, etc. in accordance with these instructions, taking into account the working conditions and the work to be performed.** Use of the power tool for operations different from those intended could result in a hazardous situation.

- h) **Keep handles and grasping surfaces dry, clean and free from oil and grease.** Slippery handles and grasping surfaces do not allow for safe handling and control of the tool in unexpected situations.

## 5) Service

- a) **Have your power tool serviced by a qualified repair person using only identical replacement parts.** This will ensure that the safety of the power tool is maintained.

## Additional Specific Safety Rules for Sanders



**WARNING:** Contact with or inhalation of dusts arising from sanding applications may endanger the health of the operator and possible bystanders. Wear a dust mask specifically designed for protection against toxic dust and fumes and ensure that persons within or entering the work area are also protected.



**WARNING:** Use this tool in a well-ventilated area when sanding ferrous metals. Do not operate the tool near flammable liquids, gases or dust. Sparks or hot particles from sanding or arcing motor brushes may ignite combustible materials.



**WARNING:** We recommend the use of a residual current device with a residual current rating of 30mA or less.

## Sanding Paint



**WARNING:** Observe the applicable regulations for sanding paint. Pay special attention to the following:

- Whenever possible, use a vacuum extractor for dust collection.
- Take special care when sanding paint which is possibly lead based:
  - Do not let children or pregnant women enter the work area.
  - All persons entering the work area should wear a mask specially designed for protection against lead paint dust and fumes.
  - Do not eat, drink or smoke in the work area.
- Dispose of dust particles and any other removal debris safely.

## Residual Risks

In spite of the application of the relevant safety regulations and the implementation of safety devices, certain residual risks cannot be avoided. These are:

- Impairment of hearing.
- Risk of personal injury due to flying particles.
- Risk of burns due to accessories becoming hot during operation.
- Risk of personal injury due to prolonged use.

## Electrical Safety

The electric motor has been designed for one voltage only. Always check that the power supply corresponds to the voltage on the rating plate.



Your DeWALT tool is double insulated in accordance with EN62841; therefore no earth wire is required.

If the supply cord is damaged, it must be replaced only by DeWALT or an authorised service organisation.

## Mains Plug Replacement (U.K. & Ireland Only)

If a new mains plug needs to be fitted:

- Safely dispose of the old plug.
- Connect the brown lead to the live terminal in the plug.
- Connect the blue lead to the neutral terminal.



**WARNING:** No connection is to be made to the earth terminal.

Follow the fitting instructions supplied with good quality plugs. Recommended fuse: 13 A.

## Using an Extension Cable

If an extension cable is required, use an approved 3-core extension cable suitable for the power input of this tool (see **Technical Data**). The minimum conductor size is 1.5 mm<sup>2</sup>; the maximum length is 30 m.

When using a cable reel, always unwind the cable completely.

## Package Contents

The package contains:

- 1 Palm grip sander
- 1 Dustbag
- 1 Sheet of sanding paper
- 1 Instruction manual
- Check for damage to the tool, parts or accessories which may have occurred during transport.
- Take the time to thoroughly read and understand this manual prior to operation.

## Markings on Tool

The following pictograms are shown on the tool:



Read instruction manual before use.

## Date Code Position (Fig. A)

The Date Code **8**, which also includes the year of manufacture, is printed into the housing.

Example:

2020 XX XX

Year of Manufacture

## Description (Fig. A)



**WARNING:** Never modify the power tool or any part of it. Damage or personal injury could result.

- 1 On/off switch
- 2 Electronic speed control dial
- 3 Dust extraction outlet
- 4 Dust bag
- 5 Dust bag collar
- 6 Sanding pad
- 7 Strain relief

## 8 Date code

**Intended Use**

Your sander has been designed for professional sanding applications.

**DO NOT** use under wet conditions or in the presence of flammable liquids or gases.

These sanders are professional power tools.

**DO NOT** let children come into contact with the tool. Supervision is required when inexperienced operators use this tool.

- **Young children and the infirm.** This appliance is not intended for use by young children or infirm persons without supervision.
- This product is not intended for use by persons (including children) suffering from diminished physical, sensory or mental abilities; lack of experience, knowledge or skills unless they are supervised by a person responsible for their safety. Children should never be left alone with this product.

**ASSEMBLY AND ADJUSTMENTS**

**WARNING:** To reduce the risk of serious personal injury, turn tool off and disconnect tool from power source before making any adjustments or removing/installing attachments or accessories. Be sure the trigger switch is in the OFF position. An accidental start-up can cause injury.

**Fitting Sanding Discs (Fig. B)**

The tool uses 125 mm hook and loop sanding discs with an 8 hole dust extraction pattern.

1. Place the tool on a table, sanding pad 6 up.
2. Place the sanding disc 9 directly on top of the sanding pad.
3. Hold the sanding pad with one hand and align the dust extraction holes.
4. Press the disc firmly onto the sanding pad.

**Setting the Electronic Speed Control Dial (Fig. A)**

The speed is infinitely variable from 8,000–12,000 min<sup>-1</sup> using the electronic speed control dial 2.

Turn the electronic speed control dial to the required level. The correct setting, however, is a matter of experience.

Generally, harder materials require a higher setting.

**Dust Extraction (Fig. C, D)**

**WARNING:** Since woodworking with a sander produces dust, always install a dust bag designed in compliance with the applicable directives regarding dust emission.



**WARNING:** Do not use a dust bag or vacuum extractor without proper spark protection when sanding metal.

Your sander has two dust extraction methods: a built-in outlet 3 which allows either the supplied dust bag 4 or a shop vacuum system to be connected; and a dust skirt (14, Fig. D). The built-in outlet utilizes the DeWALT airlock connection

making it compatible with the DeWALT dust extractor and airlock accessory DWV9000.

**To Attach the Dust Bag**

1. While holding the sander, fit the dust bag collar 5 to the outlet 3 as shown in Figure C.
2. Turn the collar 5 clockwise to lock the dust bag 4 in place.

**To Empty the Dust Bag**

**NOTE:** Be sure to wear approved eye protection and approved dust mask when performing this procedure.

For efficient dust extraction, empty the dust collector when it is about one third full.

1. While holding the sander, turn the collar 5 anticlockwise to unlock the dust bag 4.
2. Remove dust bag from the sander and gently shake or tap the dust bag to empty.
3. Reattach the dust bag back onto the outlet and lock into place by turning the dust bag collar clockwise.

You may notice that all the dust will not come free from the bag. This will not affect sanding performance but will reduce the sander's dust collection efficiency. To restore your sander's dust collection efficiency, depress the spring inside the dust bag when you are emptying it and tap it on the side of the waste bin or dust receptacle.

**OPERATION****Instructions for Use**

**WARNING:** Always observe the safety instructions and applicable regulations.



**WARNING:** To reduce the risk of serious personal injury, turn tool off and disconnect tool from power source before making any adjustments or removing/installing attachments or accessories. Be sure the trigger switch is in the OFF position. An accidental start-up can cause injury.



**WARNING:**

- Make sure all materials to be sanded are well secured.
- Apply only a gentle pressure to the workpiece. Excessive pressure does not improve the sanding effect, but only results in an increased load on the machine and causes the abrasive to tear.
- Avoid overloading.



**WARNING:** Do not sand magnesium.

**NOTICE:** If you wrap the cord around the tool when you store it, leave a generous loop of cord such that the strain relief (7, Fig. A) does not bend. This helps prevent premature cord failure.

**Proper Hand Position (Fig. E)**

**WARNING:** To reduce the risk of serious personal injury, ALWAYS use proper hand position as shown.



**WARNING:** To reduce the risk of serious personal injury, ALWAYS hold securely in anticipation of a sudden reaction.



Proper hand position requires either one hand on the sander body **10** or one hand on the main grip **16** as shown.



## Switching On and Off (Fig. A)

Set the sanding speed using the electronic speed control dial **2**.

To switch the tool on, set the on/off switch to position I.

To switch the tool off, set the on/off switch to position O.

## Sanding

Start with the coarsest grit size.

As the tool produces small abrasion marks in all directions, it is not necessary to sand with the grain.

Check your work at short intervals.

Always switch off the tool when work is finished and before unplugging.

## MAINTENANCE

Your DEWALT power tool has been designed to operate over a long period of time with a minimum of maintenance. Continuous satisfactory operation depends upon proper tool care and regular cleaning.



**WARNING:** To reduce the risk of serious personal injury, turn tool off and disconnect tool from power source before making any adjustments or removing/installing attachments or accessories. Be sure the trigger switch is in the OFF position. An accidental start-up can cause injury.

## Replacing the Sanding Pad and the Speed Limiter Belt (Fig. D)

Your sander is equipped with a replaceable belt **13** which is located between the pad **6** and the sander body **10**. It is designed to control the pad speed while the unit is off the work surface. The belt and the sanding pad **6** are designed to be consumable parts and will occasionally need to be replaced. The sanding pad needs replacement when signs of wear become evident. Replacement of the belt is necessary when the pad speed increases very dramatically when the unit is lifted from the work surface. These parts are available at extra cost from your local dealer or authorised DEWALT service centre.

1. Holding the platen firmly, remove the four screws **15** from the bottom of the pad.
2. Remove the pad **6**.
3. Replace worn or damaged belt **13** by wrapping it around the shoulder screw **11** and bearing retainer **12** as shown in Figure D.
4. Reinstall pad (replace with new pad if necessary). Replace the four screws **15**. Be careful not to over-tighten screws.



## Lubrication

Your power tool requires no additional lubrication.

## Cleaning



**WARNING:** Blow dirt and dust out of the main housing with dry air as often as dirt is seen collecting in and around the air vents. Wear approved eye protection and approved dust mask when performing this procedure.



**WARNING:** Never use solvents or other harsh chemicals for cleaning the non-metallic parts of the tool. These chemicals may weaken the materials used in these parts. Use a cloth dampened only with water and mild soap. Never let any liquid get inside the tool; never immerse any part of the tool into a liquid.

## Optional Accessories



**WARNING:** Since accessories, other than those offered by DEWALT, have not been tested with this product, use of such accessories with this tool could be hazardous. To reduce the risk of injury, only DEWALT recommended accessories should be used with this product.

Consult your dealer for further information on the appropriate accessories.

## Protecting the Environment



Separate collection. Products and batteries marked with this symbol must not be disposed of with normal household waste.

Products and batteries contain materials that can be recovered or recycled reducing the demand for raw materials. Please recycle electrical products and batteries according to local provisions. Further information is available at [www.2helpU.com](http://www.2helpU.com).

# 125 мм ЭКСЦЕНТРИКОВАЯ ШЛИФМАШИНА DWE6423

## Поздравляем!

Вы приобрели инструмент DEWALT. Многолетний опыт, тщательная разработка изделий и инновации делают компанию DEWALT одним из самых надежных партнеров для пользователей профессиональных электроинструментов.

## Технические характеристики

		DWE6423
Напряжение	V <sub>пост. тока</sub>	230
Тип		1
Выходная мощность	Вт	280
Диаметр подошвы	мм	125
Частота колебаний	мин-1	8000–12000
Амплитуда колебаний	мм	2,6
Вес	кг	1,28

Значения шума и/или вибрации (сумма векторов в трех плоскостях) в соответствии с EN62841-2-4:

L <sub>pa</sub> (уровень звукового давления)	дБ(А)	80
L <sub>wa</sub> (уровень акустической мощности)	дБ(А)	91
K (погрешность для заданного уровня мощности)	дБ(А)	3
Значение вибрационного воздействия ah =	м/с <sup>2</sup>	<2,5
Погрешность K =	м/с <sup>2</sup>	<1,5

Значение вибрационного и/или шумового воздействия, указанное в данном справочном листке, было получено в соответствии со стандартным тестом, приведенным в EN62841, и может использоваться для сравнения инструментов. Кроме того, оно может использоваться для предварительной оценки воздействия вибрации.

**ВНИМАНИЕ:** Заявленное значение воздействия вибрации и/или шума относится к основному областям применения инструмента. Однако, если инструмент используется для различных целей, с различными дополнительными принадлежностями или при ненадлежащем уходе, то уровень шума и/или вибрации может измениться. Это может привести к значительно увеличению уровня воздействия вибрации в течение всего рабочего периода.

При расчете приблизительного значения уровня воздействия шума и/или вибрации также необходимо учитывать время, когда инструмент выключен или то время, которое он работает на холостом ходу. Это может привести к значительному снижению уровня воздействия вибрации в течение всего рабочего периода.

Определите дополнительные меры техники безопасности для защиты оператора от воздействия шума и/или вибрации, а именно: поддержание инструмента и дополнительных принадлежностей в рабочем состоянии, создание комфортных условий работы (соответствующих вибрации), хорошая организация рабочего места.



**ВНИМАНИЕ:** При работе шлифмашиной всегда надевайте защитные наушники.

## Декларация о соответствии нормам ЕС

### Директива по механическому оборудованию



### Эксцентриксовая шлифмашина DWE6423

DEWALT заявляет, что продукция, описанная в разделе «Технические характеристики», соответствует: 2006/42/ЕС, EN62841-1:2015, EN62841-2-4:2014.

Эти продукты также соответствуют Директивам 2014/30/EU и 2011/65/EU. За дополнительной информацией обращайтесь в компанию DEWALT по адресу, указанному ниже или приведенному на задней стороне обложки руководства. Нижеподписавшийся несет ответственность за составление технической документации и составил данную декларацию по поручению компании DEWALT.

Маркус Ромпель

Вице-президент отдела по разработке и производству, PTE-Europe  
DEWALT, Richard-Klinger-Straße 11,  
D-65510, Idstein, Германия  
26.02.2016



**ВНИМАНИЕ:** Во избежание риска получения травм ознакомьтесь с инструкцией.

## Обозначения: Правила техники безопасности

Ниже описывается уровень опасности, обозначаемый каждым из предупреждений. Прочитайте руководство и обратитесь внимание на данные символы.



**ОПАСНО:** Обозначает опасную ситуацию, которая неизбежно приведет к серьезной травме или смертельному исходу, в случае несоблюдения соответствующих мер безопасности.



**ВНИМАНИЕ:** Указывает на потенциально опасную ситуацию, которая, в случае несоблюдения

соответствующих мер безопасности, **может** привести к **серьезной травме или смертельному исходу**.



**ПРЕДУПРЕЖДЕНИЕ:** Указывает на потенциально опасную ситуацию, которая, в случае несоблюдения соответствующих мер безопасности, **может** стать причиной **травм средней или легкой степени тяжести**.

**ПРИМЕЧАНИЕ:** Указывает на ситуацию, **не связанную напрямую с получением травм**, но если данным приемом пренебречь, это **может** привести к **порче имущества**.



Указывает на риск поражения электрическим током.



Указывает на риск возгорания.

## Общие правила техники безопасности при использовании электроинструментов



**ВНИМАНИЕ:** Прочтите все правила техники безопасности, инструкции, иллюстрации и спецификации по данному электроинструменту. Несоблюдение всех нижеприведенных инструкций может стать причиной поражения электрическим током, возгорания и/или тяжелой травмы.

### СОХРАНИТЕ ВСЕ ИНСТРУКЦИИ ДЛЯ ПОСЛЕДУЮЩЕГО ИСПОЛЬЗОВАНИЯ.

Термин «электроинструмент» в предупреждениях относится к работающим от сети (проводным) электроинструментам или работающим от аккумуляторной батареи (беспроводным) электроинструментам.

#### 1) Безопасность на рабочем месте

- Следите за чистотой и хорошим освещением на рабочем месте.** Беспорядок или плохое освещение на рабочем месте могут стать причиной несчастного случая.
- Запрещается работать с электроинструментами во взрывоопасных местах, например, вблизи легковоспламеняющихся жидкостей, газов и пыли.** Искры, которые появляются при работе электроинструментов могут привести к воспламенению пыли или паров.
- Следите за тем, чтобы во время работы с электроинструментом в зоне работы не было посторонних и детей.** Отвлекаясь от работы вы можете потерять контроль над инструментом.

#### 2) Электробезопасность

- Штепсельная вилка электроинструмента должна соответствовать розетке. Никогда не меняйте вилку инструмента. Запрещается использовать переходники к вилкам для электроинструментов с заземлением.**

Использование оригинальных штепсельных вилок, соответствующих типу сетевой розетки снижает риск поражения электрическим током.

- Избегайте контакта с заземленными поверхностями, такими как трубы, радиаторы и холодильники.** Если вы будете заземлены, увеличивается риск поражения электрическим током.
- Запрещается оставлять электроинструмент под дождем и в местах повышенной влажности.** При попадании воды в электроинструмент риск поражения электротоком возрастает.
- Берегите кабель от повреждений. Никогда не используйте кабель для переноски электроинструмента, не тяните за него, пытайтесь отключить инструмент от сети. Держите кабель подальше от источников тепла, масла, острых углов или движущихся предметов.** Поврежденный или запутанный кабель питания повышает риск поражения электрическим током.
- При работе с электроинструментом на открытом воздухе используйте удлинитель, подходящий для использования на улице.** Использование кабеля питания, предназначенного для использования вне помещения, снижает риск поражения электрическим током.
- Если использование электроинструмента в условиях повышенной влажности неизбежно, используйте устройства защитного отключения (УЗО) для защиты сети.** Использование УЗО снижает риск поражения электрическим током.

#### 3) Обеспечение индивидуальной безопасности

- При работе с электроинструментом сохраняйте бдительность, следите за своими действиями и пользуйтесь здравым смыслом. Запрещается работать с электроинструментом в состоянии усталости, наркотического, алкогольного опьянения или под воздействием лекарственных препаратов.** Невнимательность при работе с электроинструментом может привести к серьезным травмам.
- Используйте средства индивидуальной защиты. Всегда надевайте защитные очки.** Средства защиты, такие как пылезащитная маска, обувь с нескользящей подошвой, каска и защитные наушники, используемые при работе, уменьшают риск получения травм.
- Примите меры для предотвращения случайного включения. Перед тем как подключить электроинструмент к сети и/или аккумуляторной батарее, возьмите инструмент или перенести его в другое место, убедитесь в том, что выключатель находится в положении «Выкл.». Если при переноске электроинструмент**

оставлять подключенным к сети электропитания, и при этом ваш палец будет находиться на выключателе, это может стать причиной несчастных случаев.

- d) **Уберите все регулировочные или гаечные ключи перед включением электроинструмента.** Ключ, оставленный на вращающейся части электроинструмента, может травмировать.
- e) **Не пытайтесь дотянуться до слишком удаленных поверхностей. Всегда твердо стойте на ногах, сохраняя равновесие.** Это позволит лучше контролировать электроинструмент в непредвиденных ситуациях.
- f) **Одевайтесь соответствующим образом. Не носите свободную одежду и ювелирные украшения. Следите за тем, чтобы волосы и одежда не попадали под движущиеся детали.** Возможно наматывание свободной одежды, ювелирных изделий и длинных волос на движущиеся детали.
- g) **При наличии устройств для подключения оборудования для удаления и сбора пыли необходимо обеспечить правильности их подключения и эксплуатации.** Использование устройства для пылеудаления сокращает риски, связанные с пылью.
- h) **Не допускайте самонадеянности и игнорирования правил техники безопасности даже при большом опыте работы с инструментом.** Небрежное действие может повлечь серьезные травмы за долю секунды.

#### 4) Эксплуатация электроинструмента и уход за ним

- a) **Избегайте чрезмерной нагрузки электроинструмента. Используйте электроинструмент в соответствии с назначением.** Правильно подобранный электроинструмент выполнит работу более эффективно и безопасно при стандартной нагрузке.
- b) **Не пользуйтесь инструментом, если не работает выключатель.** Любой инструмент, управлять выключением и включением которого невозможно, представляет опасность и подлежит ремонту.
- c) **Перед любой регулировкой, сменой дополнительных принадлежностей или перед уборкой инструмента на хранение, отключите его от сети и/или снимите аккумуляторную батарею, если ее можно снять.** Такие превентивные меры безопасности снижают риск случайного включения электроинструмента.
- d) **Храните электроинструмент в недоступном для детей месте и не позволяйте работать с инструментом людям, не имеющим соответствующих навыков работы с такого рода инструментами.** Электроинструмент представляет опасность в руках неопытных пользователей.

- e) **Поддерживайте электроинструмент и насадки в исправном состоянии. Проверьте, не нарушена ли центровка или не заклинены ли движущиеся детали, нет ли поврежденных или иных неисправностей, которые могли бы повлиять на работу электроинструмента. В случае обнаружения повреждений, прежде чем приступить к эксплуатации электроинструмента, его следует отремонтировать.** Большинство несчастных случаев происходит из-за электроинструментов, которые не обслуживаются должным образом.
- f) **Следите за остротой заточки и чистой режущих принадлежностей.** Вероятность заклинивания инструмента, за которым следят должным образом и который хорошо заточен, значительно меньше, и работает с ним легче.
- g) **Используйте данный электроинструмент, а также дополнительные принадлежности и насадки инструмента в соответствии с данными инструкциями и с учетом условий и специфики работы.** Использование электроинструмента для выполнения операций, для которых он не предназначен, может привести к возникновению опасной ситуации.
- h) **Все рукоятки и поверхности захватывания должны быть сухими и без следов смазки.** Скользкие рукоятки и поверхности захватывания не обеспечивают должную безопасность работы и управления инструментом в непредвиденных ситуациях.

#### 5) Сервисное обслуживание

- a) **Обслуживание электроинструмента должен проводить квалифицированный специалист с использованием только оригинальных запасных частей.** Это позволит обеспечить безопасность обслуживаемого инструмента.

### Дополнительные специальные правила техники безопасности для шлифовальных машин



**ВНИМАНИЕ:** Контакт с пылью или вдыхание пыли, которая может образоваться при шлифовании, представляет опасность здоровью оператора и тех, кто находится поблизости. Надевайте пылезащитную маску, которая специально предназначена для защиты от токсичной пыли и испарений, и обеспечивает защиту для людей, выполняющих эту работу или находящихся в зоне проведения работ.



**ВНИМАНИЕ:** При шлифовке черных металлов пользуйтесь инструментом в хорошо проветриваемом месте. Запрещается работа с инструментом в присутствии легковоспламеняющихся жидкостей, газов и пыли. Искры и раскаленные частицы, возникающие в процессе шлифования или при искрении

щеток электродвигателя, могут привести к воспламенению горючих материалов.



**ВНИМАНИЕ:** Рекомендуется использовать устройство защитного отключения (УЗО) с током утечки до 30 мА.

## Шлифование окрашенных поверхностей



**ВНИМАНИЕ:** Выполняйте требования действующих норм в отношении шлифования окрашенных поверхностей. Необходимо обращать особое внимание на следующие требования:

- При наличии такой возможности, следует обеспечить удаление пыли при помощи вакуумного пылеуловителя.
- Соблюдать особую осторожность при шлифовании поверхностей, которые могут быть окрашены краской на свинцовой основе:
  - Не разрешайте детям или беременным женщинам находиться в рабочей зоне.
  - Всем лицам, находящимся на рабочем месте, необходимо пользоваться респиратором, предназначенным для защиты от пыли и паров краски на свинцовой основе.
  - Запрещается принимать пищу, пить и курить на рабочем месте.
- Необходимо обеспечить безопасную утилизацию пыли и другого мусора.

## Остаточные риски

Несмотря на соблюдение соответствующих инструкций по технике безопасности и использование предохранительных устройств, некоторые остаточные риски невозможно полностью исключить. А именно:

- Ухудшение слуха.
- Риск травм от разлетающихся частиц.
- Риск получения ожогов в результате нагревания инструмента в процессе работы.
- Риск получения травмы в результате продолжительной работы.

## Электробезопасность

Электродвигатель рассчитан на работу только при одном напряжении сети. Следите за напряжением электрической сети, оно должно соответствовать величине, обозначенной на информационной табличке.



Ваш инструмент DEWALT имеет двойную изоляцию в соответствии с EN62841; поэтому при работе с ним не требуется заземление.

Если кабель питания поврежден, его необходимо заменить у производителя или в официальном сервисном центре DEWALT.

## Замена штепсельной вилки (только для Великобритании и Ирландии)

Если нужно установить штепсельную вилку:

- Осторожно снимите старую вилку.

- Подсоедините коричневый провод к терминалу фазы в вилке.
- Подсоедините синий провод к нулевому терминалу.



**ВНИМАНИЕ:** Заземление не требуется.

Соблюдайте инструкции по установке высококачественных вилок. Рекомендованный предохранитель: 13 А.

## Использование удлинительного кабеля

При необходимости использования удлинительного кабеля, используйте только утвержденные 3-х жильные кабели промышленного изготовления, рассчитанные на мощность не меньшую, чем потребляемая мощность данного инструмента (см. раздел «Технические характеристики»). Минимальный размер проводника должен составлять 1,5 мм<sup>2</sup>; максимальная длина — 30 м.

При использовании кабельного барабана всегда полностью разматывайте кабель.

## Комплект поставки

В упаковку входят:

- 1 Эксцентриковая шлифмашина
- 1 Пылесборник
- 1 Лист шлифовальной бумаги
- 1 Руководство по эксплуатации
- Проверьте инструмент, детали и дополнительные принадлежности на предмет повреждений, которые могли произойти во время транспортировки.
- Перед эксплуатацией внимательно прочтите данное руководство.

## Маркировка инструмента

На инструмент нанесены следующие обозначения:



Перед началом работы прочтите руководство по эксплуатации.

## Местоположение кода даты (Рис. А)

Код даты **8**, который также включает год изготовления, напечатан на корпусе.

Пример:

2020 XX XX

Год изготовления

## Описание (Рис. А)



**ВНИМАНИЕ:** Никогда не вносите изменения в конструкцию электроинструмента или какой-либо его части. Это может привести к повреждениям или травмам.

- 1 Пусковой выключатель
- 2 Электронный регулятор скорости
- 3 Отверстие пылеотвода
- 4 Пылесборник
- 5 Муфта пылесборника
- 6 Шлифовальная подошва
- 7 Защитная муфта кабеля

8 Код даты

### Назначение

Ваша шлифовальная машина предназначена для профессиональных работ по шлифованию.

**НЕ ИСПОЛЬЗУЙТЕ** в условиях повышенной влажности или близости от легковоспламеняющихся жидкостей или газов.

Данные шлифовальные машины являются профессиональными электроинструментами.

**НЕ РАЗРЕШАЙТЕ** детям прикасаться к инструменту. Использование инструмента неопытными пользователями должно происходить под контролем опытного лица.

- **Малолетние дети и люди с ограниченными физическими возможностями.** Этот инструмент не предназначен для использования малолетними детьми или людьми с ограниченными физическими возможностями кроме как под контролем лица, отвечающего за их безопасность.
- Данный инструмент не предназначен для использования лицами (включая детей) с ограниченными физическими, психическими и умственными возможностями, не имеющими опыта, знаний или навыков работы с ним, если они не находятся под наблюдением лица, ответственного за их безопасность. Никогда не оставляйте детей без присмотра с этим инструментом.

### СБОРКА И РЕГУЛИРОВКА

**ВНИМАНИЕ:** Чтобы *снизить риск получения серьезных травм, выключайте инструмент и отключайте его от сети перед тем, как выполнять какие-либо регулировки или снимать/устанавливать приспособления или дополнительные принадлежности. Убедитесь в положении «ВЫКЛ.». Случайный запуск может привести к травме.*

### Крепление шлифовальных кругов (Рис. В)

С данным инструментом используются шлифовальные круги диаметром 125 мм, на липучке и 8-ю отверстиями для всасывания пыли.

1. Положите инструмент на стол, шлифовальной подошвой **6** вверх.
2. Поместите шлифовальный круг **9** на шлифовальную подошву.
3. Придерживая подошву одной рукой, совместите отверстия для всасывания пыли.
4. Плотно прижмите шлифовальный круг к подошве.

### Настройка электронного регулятора скорости (Рис. А)

Можно устанавливать скорость в диапазоне 8,000–12,000 мин.<sup>-1</sup> при помощи электронного регулятора **2**.

Поверните электронный регулятор скорости на нужное значение. Правильное регулирование достигается по приобретенному определению опыта.

Как правило, чем тверже обрабатываемый материал, тем выше частота колебаний.

### Удаление пыли (Рис. С, D)



**ВНИМАНИЕ:** Поскольку при обработке шлифмашиной древесины происходит постоянное выделение пыли, всегда устанавливайте пылесборник, разработанный в соответствии с действующими нормативами, касающимися выбросов пыли.



**ВНИМАНИЕ:** При шлифовании металлических поверхностей не используйте пылесборник или пылесос без соответствующих средств искрозащиты.

Данная шлифмашина может осуществлять пылеудаление двумя способами: через встроенное отверстие пылеотвода **3**, позволяющее подсоединить к нему пылесборник **4**, входящий в комплект поставки инструмента, или промышленный пылесос; или с помощью пылезащитного ограждения (**14**, Рис. D). Встроенное отверстие пылеотвода оборудовано системой соединения DEWALT airlock и совместим с промышленным пылесосом DEWALT и универсальным соединителем airlock DWV9000.

### Установка пылесборника

1. Удерживая шлифмашину одной рукой, установите на отверстие пылеотвода **3** муфту пылесборника **5**, как показано на Рисунке С.
2. Поверните муфту **5** по часовой стрелке, чтобы зафиксировать пылесборник **4** на месте.

### Опорожнение пылесборника

**ПРИМЕЧАНИЕ:** Обязательно надевайте защитные очки и пылезащитную маску при выполнении этих работ.

Для эффективного удаления пыли опорожняйте пылесборник, когда тот полон на треть.

1. Удерживая шлифовальную машину, поверните муфту **5** против часовой стрелки, чтобы отсоединить пылесборник **4**.
2. Снимите пылесборник с шлифовальной машины и аккуратно встряхните или постучите по нему, чтобы опорожнить его.
3. Снова подсоедините пылесборник к отверстию пылеотвода и зафиксируйте, повернув манжету по часовой стрелке.

Вы можете заметить, что при опорожнении из пылесборника выходит не вся пыль. Это никак не повлияет на шлифовальную производительность инструмента, но значительно снизит эффективность сбора пыли. Чтобы пылеудаление стало вновь эффективным, при опорожнении нажмите на пружину внутри пылесборника и постучите им о край мусорного контейнера.



## ЭКСПЛУАТАЦИЯ

### Инструкции по эксплуатации



**ВНИМАНИЕ:** Всегда соблюдайте правила техники безопасности и применимые законы.



**ВНИМАНИЕ:** Чтобы снизить риск получения серьезных травм, выключайте инструмент и отключайте его от сети перед тем, как выполнять какие-либо регулировки или снимать/устанавливать приспособления или дополнительные принадлежности. Убедитесь в том, что пусковой выключатель находится в положении «ВЫКЛ.». Случайный запуск может привести к травме.



**ВНИМАНИЕ:**

- Следите, чтобы все обрабатываемые заготовки были надежно зафиксированы на месте.
- Не прилагайте к инструменту чрезмерного усилия. Чрезмерное прижимное давление не улучшает качество шлифования, но приводит к перегрузкам инструмента и быстрому истиранию абразивной бумаги.
- Избегайте перегрузок.



**ВНИМАНИЕ:** Запрещается шлифование магния.

**ПРИМЕЧАНИЕ:** Если при хранении вы наматываете кабель на инструмент, оставьте большую петлю, поскольку защитная муфта кабеля (7, Рис. А) не гнется. Эта мера поможет предотвратить повреждение кабеля.

### Правильное положение рук (Рис. Е)



**ВНИМАНИЕ:** Для уменьшения риска получения тяжелой травмы, **ВСЕГДА** правильно удерживайте инструмент, как показано на рисунке.



**ВНИМАНИЕ:** Во избежание риска получения серьезных травм, **ВСЕГДА** крепко держите инструмент, предупреждая внезапную резкую отдачу.

Правильное положение рук во время работы: одной рукой удерживайте корпус шлифмашины 10 или одной рукой удерживайте основную рукоятку 16, как показано на рисунке.

### Включение и выключение (Рис. А)

При помощи электронного регулятора 2 установите необходимую скорость.

Чтобы включить инструмент, установите пусковой выключатель в положение I.

Чтобы выключить инструмент, переведите пусковой выключатель в положение O.

### Шлифование

Начинайте шлифование бумагой с самым крупным абразивным зерном.

Поскольку шлифмашина оставляет небольшие царапины во всех направлениях, нет необходимости шлифовать вдоль волокон древесины.

Проверьте выполненную работу через короткие промежутки.

Всегда выключайте электроинструмент после окончания работы и перед отключением от электросети.

### ТЕХНИЧЕСКОЕ ОБСЛУЖИВАНИЕ

Электроинструмент DeWALT имеет длительный срок эксплуатации и требует минимальных затрат на техобслуживание. Для длительной безотказной работы необходимо обеспечить правильный уход за инструментом и его регулярную очистку.



**ВНИМАНИЕ:** Чтобы снизить риск получения серьезных травм, выключайте инструмент и отключайте его от сети перед тем, как выполнять какие-либо регулировки или снимать/устанавливать приспособления или дополнительные принадлежности. Убедитесь в том, что пусковой выключатель находится в положении «ВЫКЛ.». Случайный запуск может привести к травме.

### Замена шлифовальной подошвы и ленты ограничения частоты колебаний (Рис. D)

Шлифовальная машина оборудована съемной лентой 13, расположенной между подошвой 6 и корпусом шлифовальной машины 10. Лента разработана для управления оборотами подошвы, когда инструмент не соприкасается с обрабатываемой поверхностью. Лента и шлифовальная подошва 6 являются расходными материалами и нуждаются в периодической замене. Шлифовальную подошву необходимо заменять при обнаружении признаков износа. Замену ленты необходимо выполнять в том случае, если обороты подошвы значительно увеличиваются, когда инструмент поднимается от рабочей поверхности. Данные детали приобретаются за отдельную плату у местных продавцов или в авторизованном сервисном центре DeWALT.

1. Прочно удерживая инструмент, выверните четыре винта 15 из нижней части подошвы.
2. Снимите подошву 6.
3. Замените изношенную или поврежденную ленту 13, обмотав ее вокруг винта с утолщенным стержнем 11 и держателя подшипника 12, как показано на Рисунке D.
4. Установите подошву (при необходимости замените подошву). Снова установите четыре винта 15. Не затягивайте винты слишком сильно.



### Смазка

Вашему инструменту не требуется дополнительная смазка.



## Чистка



**ВНИМАНИЕ:** Выдувайте грязь и пыль из корпуса сухим сжатым воздухом по мере видимого скопления грязи внутри и вокруг вентиляционных отверстий. Надевайте защитные очки и пылезащитную маску при выполнении этих работ.



**ВНИМАНИЕ:** Никогда не пользуйтесь растворителями или другими сильнодействующими химическими веществами для чистки неметаллических частей инструмента. Эти химикаты могут повредить структуру материала, используемого для производства таких деталей. Используйте ткань, смоченную в мягком мыльном растворе. Не допускайте попадания жидкости внутрь инструмента; никогда не погружайте никакие из деталей инструмента в жидкость.

## Дополнительные принадлежности



**ВНИМАНИЕ:** В связи с тем, что дополнительные принадлежности других производителей, кроме DEWALT, не проходили проверку на совместимость с данным изделием, их использование может представлять опасность. Во избежание травм, с данным инструментом следует использовать только дополнительные принадлежности, рекомендованные DEWALT.

Проконсультируйтесь со своим продавцом для получения дополнительной информации.

## Защита окружающей среды



Отдельная утилизация. Изделия и аккумуляторные батареи с данным символом на маркировке запрещается утилизировать с обычными бытовыми отходами.

Изделия и аккумуляторные батареи содержат материалы, которые могут быть извлечены или переработаны, снижая потребность в исходном сырье. Пожалуйста, утилизируйте электрические изделия и аккумуляторные батареи в соответствии с местными нормами. Дополнительная информация доступна по адресу [www.2helpU.com](http://www.2helpU.com).

## Дополнительная информация:

Дату изготовления (код даты) указан на корпусе инструмента. Код даты, который так же включает год изготовления, отштампован на поверхности корпуса изделия. Пример: 2021 46 XX, где 2021 – год изготовления, 46-неделя изготовления, XX – код завода изготовителя.

ТОВАР СЕРТИФИЦИРОВАН. Орган по сертификации "РОСТЕСТ- Москва", Адрес: 119049, г. Москва, улица Житная, д. 14, стр. 1; 117418, Москва, Нахимовский просп., 31 (факт.). Тел.: (499) 1292311, (495) 6682893, E-mail: [office@rotest.ru](mailto:office@rotest.ru)

Изготовитель: Изготовитель: Блэк энд Деккер Холдингс ГмбХ, Германия, 65510, Идштайн, ул. Блэк энд Деккер, 40, тел. +496126212790.

Уполномоченное изготовителем юр.лицо: ООО "Стэнли Блэк энд Деккер", 117485, город Москва, улица Обручева, дом 30/1, строение 2, Телефон: + 7 (495) 258-3981, факс: + 7 (495) 258-3984, E-mail: [inbox@dewalt.com](mailto:inbox@dewalt.com). Сведения о импортере указаны в сопроводительной документации и/или на упаковке.





**Приложение к руководству по эксплуатации электрооборудования для определения месяца производства по номеру текущей календарной недели года**

Электрооборудование торговых марок "Dewalt", "Stanley", "Stanley FatMAX", "BLACK+DECKER".

Директивы 2014/30/EU ЕВРОПЕЙСКОГО ПАРЛАМЕНТА И СОВЕТА от 26 февраля 2014 г. "О гармонизации законодательства Государств-членов ЕС в области электромагнитной совместимости", 2006/42/ЕС ЕВРОПЕЙСКОГО ПАРЛАМЕНТА И СОВЕТА от 17 мая 2006 г. "О машинах и оборудовании"; 2014/35/EU ЕВРОПЕЙСКОГО ПАРЛАМЕНТА И СОВЕТА от 26 февраля 2014 г. "О гармонизации законодательства государств-членов в области размещения на рынке электрооборудования, предназначенного для использования в определенных пределах напряжения". Серийный выпуск.

**ТОВАР СЕРТИФИЦИРОВАН**

Орган по сертификации "РОСТЕСТ- Москва", Адрес: 119049, г. Москва, улица Житная, д. 14, стр. 1; 117418, Москва, Нахимовский просп., 31 (фактический), Телефон: (495) 1292311, (495) 6682893, факс: (495) 6682893, E-mail: [office@rostest.ru](mailto:office@rostest.ru)

Изготовитель: Изготовитель: Блэк энд Деккер Холдингс ГмбХ, Германия, 65510, Идштайн, ул. Блэк энд Деккер, 40, тел. +496126212790.

Уполномоченное изготовителем юр.лицо:

ООО "Стэтли Блэк энд Деккер", 117485, город Москва, улица Обручева, дом 30/1, строение 2  
Телефон: + 7 (495) 258-3981, факс: + 7 (495) 258-3984, E-mail: [inbox@dewalt.com](mailto:inbox@dewalt.com)

Сведения о импортере указаны в сопроводительной документации и/или на упаковке

**Хранение.**

Необходимо хранить в сухом месте, вдали от источников повышенных температур и воздействия солнечных лучей. При хранении необходимо избегать резкого перепада температур. Хранение без упаковки не допускается

**Срок службы.**

Срок службы изделия составляет 5 лет. Не рекомендуется к эксплуатации по истечении 5 лет хранения с даты изготовления без предварительной проверки.

Дата изготовления (код даты) указана на корпусе инструмента. Код даты, который также включает год изготовления, отштампован на поверхности корпуса изделия.

Пример:

2014 46 XX, где 2014 –год изготовления, 46–неделя изготовления. Определить месяц изготовления по указанной неделе изготовления можно согласно приведенной ниже таблице.

**Транспортировка.**

Категорически не допускается падение и любые механические воздействия на упаковку при транспортировке.

При разгрузке/погрузке не допускается использование любого вида техники, работающей по принципу зажима упаковки.

**Перечень критических отказов, возможные ошибочные действия персонала.**

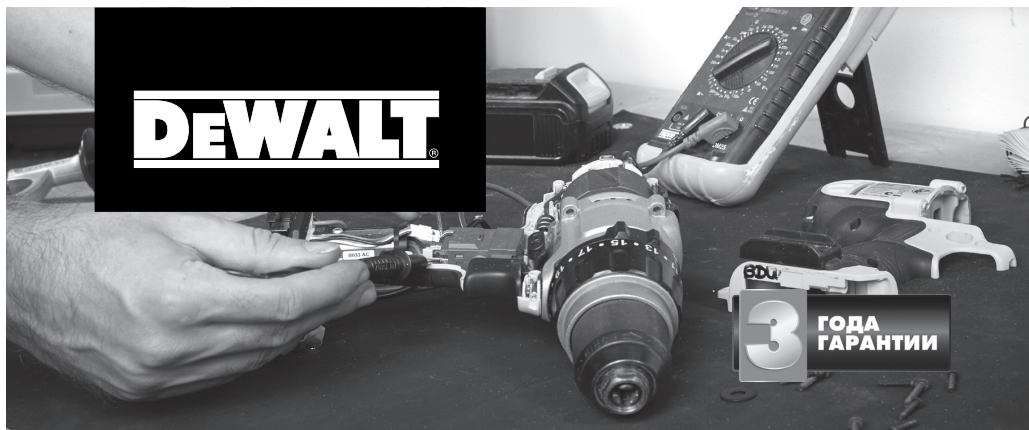
Не допускается эксплуатация изделия:

- При появлении дыма из корпуса изделия
- При поврежденном и/или оголенном сетевом кабеле
- при повреждении корпуса изделия, защитного кожуха, рукоятки
- при попадании жидкости в корпус
- при возникновении сильной вибрации
- при возникновении сильного искрения внутри корпуса

**Критерии предельных состояний.**

- При поврежденном и/или оголенном сетевом кабеле
- при повреждении корпуса изделия

Месяц	Январь	Февраль	Март	Апрель	Май	Июнь	Июль	Август	Сентябрь	Октябрь	Ноябрь	Декабрь	Год производства
Неделя	1	5	9	14	18	23	27	31	36	40	44	49	2018
	2	6	10	15	19	24	28	32	37	41	45	50	
	3	7	11	16	20	25	29	33	38	42	46	51	
	4	8	12	17	21	26	30	34	39	43	47	52	
			13		22			35			48		
Неделя	1	6	10	14	18	23	27	31	36	40	45	49	2019
	2	7	11	15	19	24	28	32	37	41	46	50	
	3	8	12	16	20	25	29	33	38	42	47	51	
	4	9	13	17	21	26	30	34	39	43	48	52	
	5				22			35		44			
Неделя	1	6	10	14	19	23	27	32	36	40	45	49	2020
	2	7	11	15	20	24	28	33	37	41	46	50	
	3	8	12	16	21	25	29	34	38	42	47	51	
	4	9	13	17	22	26	30	35	39	43	48	52	
	5				18		31			44			
Неделя	2	6	10	14	19	23	27	32	36	41	45	49	2021
	3	7	11	15	20	24	28	33	37	42	46	50	
	4	8	12	16	21	25	29	34	38	43	47	51	
	5	9	13	17	22	26	30	35	39	44	48	52	
					18		31		40			1	
Неделя	2	6	10	15	19	23	28	32	36	41	45	49	2022
	3	7	11	16	20	24	29	33	37	42	46	50	
	4	8	12	17	21	25	30	34	38	43	47	51	
	5	9	13	18	22	26	31	35	39	44	48	52	
				14		27			40			1	



## ГАРАНТИЙНЫЕ УСЛОВИЯ

### Уважаемый покупатель!

1. Поздравляем Вас с покупкой высококачественного изделия DEWALT и выражаем признательность за Ваш выбор.
2. При покупке изделия требуйте проверки его комплектности и исправности в Вашем присутствии. В комплекте с инструментом должна быть инструкция по эксплуатации и гарантийные условия производителя на русском языке. Сохраняйте на весь срок гарантии Ваш документ, удостоверяющий факт покупки изделия. Убедитесь, что в чеке указаны: фискальный номер чека, модель/наименование изделия, дата продажи и название торговой организации.
3. Во избежание недоразумений убедительно просим Вас перед началом работы с изделием внимательно ознакомиться с инструкцией по его эксплуатации. Правовой основой настоящих гарантийных условий является действующее Законодательство. Гарантийный срок на данное изделие составляет 36 месяцев и исчисляется со дня продажи. В случае устранения недостатков изделия гарантийный срок продлевается на период его нахождения в ремонте. Срок службы изделия составляет 5 лет со дня продажи.
4. В случае возникновения каких-либо проблем в процессе эксплуатации изделия рекомендуем Вам обращаться только в уполномоченные сервисные центры DEWALT, адреса и телефоны которых Вы сможете найти на сайте [www.2helpU.com](http://www.2helpU.com) или узнать в магазине. Наши сервисные станции это не только квалифицированный ремонт, но и широкий ассортимент запчастей и принадлежностей.
5. Производитель рекомендует проводить периодическую проверку и техническое обслуживание изделия в уполномоченных сервисных центрах.
6. Наши гарантийные обязательства распространяются только на неисправности, выявленные в течение гарантийного срока и вызванные дефектами материалов или сборки изделия.

### 7. Гарантийные условия не распространяются на неисправности изделия, возникшие в результате:

7.1. Несоблюдения пользователем предписаний инструкции по эксплуатации изделия, применения изделия не по назначению, неправильного хранения, использования принадлежностей, расходных материалов и запчастей, не предусмотренных производителем.

7.2. Механического повреждения (сколы, трещины и разрушения) внутренних и внешних деталей изделия, основных и вспомогательных рукояток, сетевого электрического кабеля, вызванного внешним ударным или любым иным воздействием.

7.3. Попадания в вентиляционные отверстия и проникновение внутрь изделия посторонних предметов, материалов или веществ, не являющихся отходами, сопровождающими применение изделия по назначению, такими как: стружка, опилки, песок, и пр.

7.4. Воздействия на изделие неблагоприятных атмосферных и иных внешних факторов, таких как дождь, снег, повышенная влажность, нагрев, агрессивные среды, несоответствие параметров питающей электросети, указанных на инструменте.

7.5. Стихийного бедствия. Повреждение или утрата изделия, связанное с непредвиденными бедствиями, стихийными явлениями, в том числе вследствие действия непреодолимой силы (пожар, молния, потоп и другие природные явления), а также вследствие перепадов напряжения в электросети и другими причинами, которые находятся вне контроля производителя.

### 8. Гарантийные условия не распространяются:

8.1. На инструменты, подвергавшиеся вскрытию, ремонту или модификации вне уполномоченного сервисного центра.

8.2. На детали и узлы, имеющие следы естественного износа, такие как: приводные ремни и колеса, угльные щетки, смазка, подшипники, зубчатое зацепление редукторов, резиновые уплотнения, сальники, направляющие ролики, муфты сцепления, бойки, толкатели, стволы, и т.п.

8.3. На сменные и расходные части: цанги, зажимные гайки и фланцы, фильтры, ножи, шлифовальные подошвы, цепи, звездочки, пильные шины, защитные кожухи, пилки, абразивы, пильные и абразивные диски, фрезы, сверла, буры и т.п.

8.4. На неисправности, возникшие в результате перегрузки инструмента (как механической, так и электрической), повлекшей выход из строя одновременно двух и более деталей и узлов, таких как ротора и статора, обеих обмоток статора, ведомой и ведущей шестерни редуктора или других узлов и деталей. К безусловным признакам перегрузки изделия относятся, помимо прочего: появление цветов побежалости, деформация или оплавление деталей и узлов изделия, потемнение или облупивание изоляции проводов электродвигателя под воздействием высокой температуры.



**ОБЯЗАТЕЛЬНО СОХРАНЯЙТЕ  
КАССОВЫЙ ЧЕК**

Актуальную информацию об обслуживании  
в интересующем вас городе вы можете узнать на сайте  
**[service.dewalt.ru](http://service.dewalt.ru)**

27-03-2021



Список авторизованных сервисных центров | Удобный поиск ближайшего сервисного центра | Руководство по эксплуатации  
 Технические характеристики | Список деталей и запасных частей | Схема сборки инструмента



Также данную информацию вы можете получить, позвонив по телефону:

**8-800-1000-876**

Отметки о проведении сервисного обслуживания

№1	№2	№3	№4
№ заказа	№ заказа	№ заказа	№ заказа
Дата поступления	Дата поступления	Дата поступления	Дата поступления
Дата ремонта	Дата ремонта	Дата ремонта	Дата ремонта
Печать и подпись сервисного центра	Печать и подпись сервисного центра	Печать и подпись сервисного центра	Печать и подпись сервисного центра



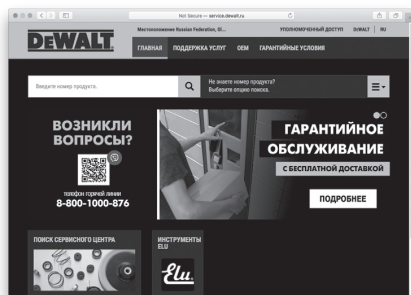
# ГАРАНТИЙНОЕ ОБСЛУЖИВАНИЕ С БЕСПЛАТНОЙ ДОСТАВКОЙ

ТЕПЕРЬ ВЫ МОЖЕТЕ СДАТЬ ИНСТРУМЕНТ В СЕРВИС, ДАЖЕ ЕСЛИ ЕГО НЕТ В ВАШЕМ ГОРОДЕ

## КАК ВОСПОЛЬЗОВАТЬСЯ УСЛУГОЙ

Скачать/распечатать  
инструкцию  
с сайта

[service.dewalt.ru](http://service.dewalt.ru)



телефон горячей линии

**8-800-1000-876**



# ПОДАРОК ЗА ОТЗЫВ\*

- 1 Зарегистрируйся на [my.dewalt.ru](http://my.dewalt.ru)
- 2 Напиши отзыв о покупке
- 3 Получи фирменную кепку

\*Акция проводится на территории Российской Федерации, подробные условия акции указаны на [my.dewalt.ru](http://my.dewalt.ru)

The screenshot shows the registration page on the My DEWALT website. At the top, there are navigation links: ПРОДУКЦИЯ, О НАС, СЕРВИС И ПОДДЕРЖКА, and ИНТЕРНЕТ-МАГАЗИН. Below these are links for АВТОРЕГИСТРАЦИЯ, СВЯЖИТЕСЬ С НАМИ, and ПОДПИСАТЬСЯ НА РАССЫЛКУ. The main heading is РЕГИСТРАЦИЯ. Below it, there is a section titled 'Преимущества регистрации на сайте MyDEWALT' with three bullet points: 'Актуальная информация о новых моделях и разработках', 'Специальная продукция и акции только для подписчиков', and 'Участие в программе отзывов «Моя DEWALT»'. A button 'УЖЕ ЕСТЬ АККАУНТ ВОЙДИТЕ' is visible. Below this is a section for 'БЫСТРАЯ АВТОРЕГИСТРАЦИЯ / РЕГИСТРАЦИЯ С ПОМОЩЬЮ СОЦСЕТЕЙ' with icons for Facebook, VK, and Google+. The main registration form asks for 'ИЛИ ЗАПОЛНИТЕ ВОЗНУ НИЖЕ' and includes fields for 'Имя\*', 'Фамилия\*', 'E-mail\*', 'Страна\*' (with a dropdown menu), 'Что Вас интересует?\*' (with a dropdown menu), 'Ваша роль\*', 'Пароль\*', and 'Подтвердите пароль\*'. A 'Найти' button is at the bottom right.

телефон горячей линии

8-800-1000-876

# 125 мм РУЧНА ШЛІФМАШИНА

## DWE6423

### Вітаємо вас!

Ви обрали інструмент DEWALT. Великий досвід компанії у розробці інструментів та постійна робота над їхнім удосконаленням роблять компанію DEWALT надійним партнером професійних користувачів.

### Технічні характеристики

		DWE6423
Напруга	V <sub>пост.</sub> струму	230
Тип		1
Вихідна потужність	Вт	280
Діаметр підшови	мм	125
Оберти	об/хв	8000-12000
Ø орбіти	мм	2,6
Маса	кг	1,28

Значення рівня шуму та/або вібрації (триаксильна векторна сума) відповідно до стандарту EN62841--2-4:

L <sub>pa</sub> (рівень тиску звукового випромінювання)	дБ(A)	80
L <sub>wa</sub> (рівень звукової потужності)	дБ(A)	91
K (похибка для даного рівня гучності)	дБ(A)	3

Значення вібрації a <sub>h</sub> =	м/с <sup>2</sup>	<2,5
Похибка K =	м/с <sup>2</sup>	<1,5

Значення вібрації та/або шуму, наведене в цьому документі, було виміряне згідно зі стандартизованим тестом, викладеним в стандарті EN62841, та може використовуватись для порівняння інструментів. Це значення вібрації можна також використовувати для попередньої оцінки впливу вібрації.



**УВАГА!** Заявлене значення вібрації та/або шуму відповідає вимогам цільового використання інструмента. Однак якщо інструмент використовується для виконання інших завдань, або з іншими витратними матеріалами/насадками, або не обслуговується належним чином, значення вібрації та/або шуму може відхилятися. Це може значно збільшити рівень впливу протягом усього періоду роботи.

Оцінка рівня впливу вібрації та/або шуму має враховувати час, протягом якого інструмент є вимкненим, а також час, протягом якого він є ввімкненим, але не використовується. Це може значно зменшити рівень впливу протягом усього періоду роботи.

Визначення додаткових заходів безпеки для захисту оператора від впливу вібрації та/або шуму: технічне обслуговування інструмента та приладдя, утримання рук у теплі (має значення для вібрації), організація режиму роботи.



**УВАГА!** Завжди використовуйте засоби захисту слухового апарату при роботі зі шліфмашиною.

### Декларація про відповідність ЄС

Директива для механічного обладнання



### Ручна шліфмашина DWE6423

Компанія DEWALT заявляє, що вироби, описані у розділі **Технічні дані**, відповідають стандартам: 2006/42/EC, EN62841-1:2015, EN62841-2-4:2014.

Ці продукти також відповідають вимогам Директив 2014/30/EU та 2011/65/EU. Для отримання додаткової інформації, будь ласка, зверніться до компанії DEWALT за адресою, вказаною нижче, або прочитайте інформацію на зворотній стороні цього посібника.

Нижчепідписаний несе відповідальність за упорядкування файлу технічних характеристик та робить цю заяву від імені компанії DEWALT.

Маркус Ромпель (Markus Rompel)  
технічний директор, PTE-Europe DEWALT, Richard-Klinger-Straße 11, D-65510, Idstein, Німеччина  
26.02.2016



**УВАГА!** Уважно прочитайте керівництво з експлуатації для зниження ризику отримання травм.

### Позначення: Інструкції з техніки безпеки

Умовні позначення, наведені нижче, описують рівень важливості кожної попереджувальної зазвівки. Прочитайте керівництво та зверніть увагу на символи, наведені нижче.



**НЕБЕЗПЕЧНО!** Вказує на безпосередню загрозу, ігнорування якої **призведе до смерті або серйозної травми**.



**УВАГА!** Вказує на потенційну загрозу, яка, якщо її не уникнути, **може призвести до смерті або серйозної травми**.



**ОБЕРЕЖНО!** Вказує на потенційну загрозу, яка, якщо її не уникнути, **може призвести до травми незначної або середньої важкості**.



**ПРИМІТКА.** Указує на ситуацію, **не пов'язану з особистою травмою**, яка, якщо її не уникнути, може призвести до пошкодження майна.



Вказує на ризик ураження електричним струмом.



Вказує на ризик виникнення пожежі.

## Загальні правила безпеки при експлуатації електричного інструмента



**УВАГА!** Ознайомтеся з усіма попередженнями, інструкціями з техніки безпеки, зображеннями та специфікаціями, які поставляються з цим електричним інструментом. Невиконання наведених нижче інструкцій може призвести до ураження електричним струмом, пожежі та/або серйозних травм.

### ЗБЕРІГАЙТЕ ВСІ ПОПЕРЕДЖЕННЯ ТА ІНСТРУКЦІЇ ДЛЯ ПОДАЛЬШОГО ВИКОРИСТАННЯ.

Термін «електричний інструмент» в усіх попередженнях стосується використовуваних вами інструментів, що живляться від мережі енергопостачання (з електричним кабелем) або від акумуляторів (без кабелю).

#### 1) Безпека робочої зони

- Робоча зона завжди має бути чистою та добре освітленою.** Захаращена або темна робоча зона призводить до нещасних випадків.
- Не використовуйте електричні інструменти у вибухонебезпечній атмосфері, наприклад поруч із вогнебезпечними рідинами, газами та пилом.** Електричні інструменти створюють іскри, що можуть запалити пил або пару.
- Тримайте дітей та сторонніх спостерігачів подалі під час використання інструмента.** Відвернення уваги може призвести до втрати контролю.

#### 2) Електрична безпека

- Вилка електричного інструмента повинна відповідати розетці. Ніколи жодним чином не змінюйте вилку. Не використовуйте адаптери з заземленими електричними інструментами.** Немодифіковані вилки та розетки, що підходять до них, зменшують ризик ураження електричним струмом.
- Уникайте контакту тіла з заземленими поверхнями, такими як труби, радіатори, плити та холодильники.** Якщо ваше тіло заземлене, збільшується ризик ураження електричним струмом.
- Не залишайте електричні інструменти під дощем або в умовах підвищеної вологості.** Вода, що потрапляє в електричний інструмент, підвищує ризик ураження електричним струмом.
- Не використовуйте кабель живлення не за призначенням. Ніколи не переносьте, не тягніть**

**та не відключайте електричний інструмент від розетки електроживлення за допомогою шнура. Тримайте шнур подалі від високих температур, мастила, гострих предметів та рухомих деталей.** Пошкоджені або перекручені шнури підвищують ризик ураження електричним струмом.

- При використанні електричного інструмента просто неба використовуйте подовжувальний шнур, що підходить для використання просто неба.** Шнур, що призначений для використання поза приміщенням, знижує ризик ураження електричним струмом.
- Якщо неможливо уникнути використання електричного інструмента в умовах підвищеної вологості, використовуйте живлення, захищене пристроєм з керуванням диференційним струмом (Residual current device, RCD).** Використання RCD знижує ризик ураження електричним струмом.

#### 3) Особиста безпека

- Будьте уважні дивіться, що ви робите, та будьте розсудливі, працюючи з електричним інструментом. Не використовуйте електричний інструмент, коли ви втомлені або знаходитесь під впливом наркотичних речовин, алкоголю або ліків.** Втрата уваги під час роботи з електричним інструментом може призвести до серйозних тілесних ушкоджень.
- Використовуйте особисті засоби безпеки. Завжди використовуйте засоби захисту очей.** Засоби безпеки, такі як протипилова маска, нековзкий безпечний черевички, захисний шолом та засоби захисту слухового апарату при використанні для відповідних умов зменшують імовірність особистих травм.
- Уникайте випадкового запуску. Переконайтесь в тому, що перемикач знаходиться в позиції Вимк., перш ніж підключати інструмент до джерела електроживлення та/або акумулятора, переміщувати або переносити.** Може статися нещасний випадок, коли ви переносите інструмент, тримаючи палець на вимикачі, або підключаєте живлення до вимикача в позиції Увімк.
- Зніміть усі ключі для регулювання або гайкові ключі, перш ніж вмикати електричний інструмент.** Гайковий ключ, що зашліфований прикріпленням до якоїсь деталі електричного пристрою, що обертається, може призвести до травм.
- Не прикладайте надмірних зусиль. Завжди утримуйте правильну постановку ніг і рівновагу.** Це дає вам змогу краще контролювати інструмент в неочікуваних ситуаціях.
- Одягайтеся відповідним чином. Не вдягайте вільний одяг або прикраси. Тримайте ваше волосся та одяг подалі від рухомих деталей.**

Вільний одяг, прикраси або довге волосся можуть зачепитися за рухомі деталі.

- g) **Якщо передбачені пристрої для підключення до засобів виділення та збирання пилю, переконайтеся, що вони правильно підключені та використовуються.** Використання таких пристроїв зменшує ризик виникнення небезпечних ситуацій, що пов'язані з потраплянням пилю.
- h) **Навіть якщо ви добре знаєте інструмент та часто його використовуєте, не розслабляйтесь та не забувайте про принципи техніки безпеки.** Необережні дії можуть за долю секунди призвести до важких тілесних ушкоджень.

#### 4) Використання електричного інструмента та догляд за ним

- a) **Не прикладайте надмірних зусиль під час роботи з інструментом. Використовуйте електричний інструмент, який відповідає завданню, що виконується.** Правильно обраний інструмент виконає завдання краще та безпечніше за умов, для яких він був розроблений.
- b) **Не використовуйте інструмент, якщо його неможливо ввімкнути та вимкнути за допомогою вимикача.** Будь-який електричний інструмент, яким неможливо керувати за допомогою вимикача, є небезпечним і має бути відремонтований.
- c) **Якщо вилка знімна, відключіть її від джерела живлення та/або вийміть акумулятор, перш ніж виконувати будь-які налаштування, змінювати додаткове обладнання або зберігати інструмент.** Ці профілактичні заходи зменшують ризик випадкового запуску електричного інструмента.
- d) **Зберігайте вимкнені електричні інструменти в недоступному для дітей місці та не дозволяйте особам, що не знайомі з електричним інструментом або цими інструкціями, використовувати електричний інструмент.** Електричні інструменти є небезпечними, якщо вони використовуються некваліфікованими користувачами.
- e) **Технічне обслуговування електричних інструментів та аксесуарів. Перевіряйте неспіввісність, заїдання рухомих деталей, наявність пошкоджених частин та інших факторів, які можуть впливати на роботу електричного інструмента. Якщо є пошкодження, відремонтуйте електричний інструмент перед використанням.** Нещасні випадки часто є результатом того, що інструмент не пройшов відповідного технічного обслуговування.
- f) **Ріжучі інструменти мають бути гострими та чистими.** Правильно доглянуті ріжучі інструменти з гострими різальними кромками мають меншу імовірність заїдання, і ними легше керувати.
- g) **Використовуйте електричний інструмент, додаткові інструменти, різці тощо у**

**відповідності до цих інструкцій та відповідно до даного типу електричних інструментів, зважаючи на умови використання та роботу, яка має бути виконана.** Використання електричних інструментів не за призначенням може призвести до виникнення небезпечних ситуацій.

- h) **Всі руки та поверхні для тримання інструмента мають бути сухими, без залишків мастила.** Слизькі ручки та поверхні для тримання не дозволяють безпечно працювати та контролювати інструмент у неочікуваних ситуаціях.

#### 5) Обслуговування

- a) **Для обслуговування вашого електричного інструменту залучайте кваліфікованих спеціалістів з ремонту та використовуйте тільки ідентичні замінні деталі.** Це забезпечить безпеку електричного пристрою, що обслуговується.

#### Додаткові правила з техніки безпеки при роботі зі шліфувальними машинами



**УВАГА!** Вдихання пилю, що утворюється при шліфуванні може бути небезпечним для здоров'я оператора та навіть спостерігачів. Використовуйте протипилову маску, яка призначена спеціально для захисту від токсичного пилю та випаровувань, та переконайтесь, що особи, які знаходяться в робочій зоні, також використовують засоби захисту.



**УВАГА!** При шліфуванні чорних металів використовуйте інструмент у добре вентильованих місцях. Не використовуйте інструменти біля вогнебезпечних рідин, газів та пилю. Іскри або гарячі частинки, що утворюються під час шліфування або від щіток мотора, можуть запалити легкозаймисті матеріали.



**УВАГА!** Ми рекомендуємо використовувати пристрій залишкового струму з залишковим струмом 30 мА або менше.

#### Шліфування фарби



**УВАГА!** Дотримуйтесь відповідних заходів безпеки при шліфуванні фарбованих поверхонь. Звертайте особливу увагу на наступне:

- Якщо можливо, використовуйте пилосос для збирання пилю.
- Будьте особливо обережні під час шліфування фарби, яка може містити свинець:
  - Не дозволяйте дітям та вагітним жінкам заходити в робочу зону.
  - Всі особи, які входять до робочої зони, повинні вдягати протипилову маску, розроблену для захисту від пилю та випаровувань, що утворюються при шліфуванні фарби на основі свинцю.
  - Забороняється їсти, пити та палити в робочій зоні.



- Безпечно ліквідуйте пил та інше сміття, яке можна прибрати.

## Залишкові ризики

Дотримання всіх правил техніки безпеки та застосування пристроїв безпеки не гарантує уникнення певних залишкових ризиків. До такого переліку належать:

- *Порушення слуху.*
- *Ризик тілесних ушкоджень через частинки, які розлітаються.*
- *Ризик опіків через нагрівання приладдя під час роботи.*
- *Ризик тілесних ушкоджень через занадто тривале використання.*

## Електрична безпека

Електричний двигун розроблений для роботи лише з одним значенням напруги. Завжди перевіряйте відповідність джерела живлення напрузі, яка вказана на табличці з паспортними даними.



Ваш інструмент виробництва компанії DEWALT має подвійну ізоляцію відповідно до EN62841, тому заземлення не є необхідним.

Якщо кабель живлення пошкоджений, його заміну може проводити тільки компанія DEWALT або авторизований сервісний центр.

## Заміна мережевої вилки (тільки для Великої Британії та Ірландії)

Якщо потрібно встановити нову вилку живлення:

- *Зніміть стару вилку та утилізуйте її; дотримуючись правил техніки безпеки.*
- *Приєднайте коричневий провідник до активного виходу вилки.*
- *Приєднайте блакитний провідник до нейтрального виходу.*



**УВАГА!** Жоден провідник не має бути підключений до клем заземлення.

Дотримуйтесь інструкцій щодо встановлення, які постачаються з якісними вилками. Плавкий запобіжник, що рекомендується: 13 А.

## Використання електричного подовжувача

Якщо необхідний подовжувач, використовуйте рекомендований 3-жильний подовжувальний шнур, що підходить для споживаної потужності інструмента (див. «Технічні характеристики»). Мінімальний розмір провідника становить 1,5 мм<sup>2</sup>; максимальна довжина – 30 м. При використанні кабельного барабану завжди витягуйте весь кабель.

## Комплект поставки

До комплекту входить:

- 1 Ручна шліфмашинка
- 1 Пилосбірник
- 1 Лист шмергелевого паперу
- 1 Керівництво з експлуатації

- *Перевірте інструмент, деталі та приладдя на пошкодження, що могли виникнути під час транспортування.*
- *Перед використанням уважно прочитайте та повністю зрозумійте це керівництво.*

## Маркування на інструменті

На інструменті є наступні піктограми:



Прочитайте інструкції цього керівництва перед використанням.

## Розташування коду дати (рис. А)

Код дати **8**, що включає також рік виробництва, наноситься на корпус.

Приклад:

2020 XX XX

Рік виробництва

## Опис (рис. А)



**УВАГА!** Ніколи не модифікуйте електричні інструменти або їх деталі. Це може призвести до пошкодження майна або тілесних ушкоджень.

- 1 Вимикач
- 2 Електронний дисковий регулятор швидкості
- 3 Вихідний отвір для видалення пилу
- 4 Пилосбірник
- 5 Манжета пилосбірника
- 6 Шліфувальна підшова
- 7 Еластична муфта
- 8 Код дати

## Сфера застосування

Ваша шліфмашинка розроблена для професійного шліфування.

**НЕ** використовуйте за умов підвищеної вологості або в присутності легкозаймистих рідин та газів.

Ці шліфмашини призначені для професійного використання.

**НЕ** дозволяйте дітям підходити на небезпечно відстань та торкатися інструмента. Використання інструмента недосвідченими операторами потребує нагляду.

- **Діти та хворі люди.** Цей пристрій не призначений для експлуатації дітьми та особами з обмеженими розумовими та фізичними можливостями без стороннього контролю.
- Цей пристрій не призначений для використання особами (включаючи дітей) зі знизеними фізичними, сенсорними або розумовими можливостями або особами, яким бракує досвіду або знань, за винятком випадків, коли такі особи працюють під наглядом особи, яка несе відповідальність за їх безпеку. Не можна залишати дітей наодинці з цим приладом.

## МОНТАЖ ТА НАЛАШТУВАННЯ





**УВАГА!** Щоб знизити ризик серйозних травм, вимкніть інструмент та відключіть його від


*мережі живлення перед виконанням будь-яких налаштувань або зніманням/встановленням насадок чи аксесуарів. Переконайтеся, що вимикач знаходиться в положенні Вимк. Випадковий запуск може призвести до травм.*

## Встановлення шліфувальних дисків (рис. B)

Інструмент використовує самозачіпні шліфувальні круги 125 мм з 8 отворами для видалення пилу.

1. Розмістіть інструмент на столі шліфувальною підшовою  вгору.
2. Розмістіть шліфувальний круг  безпосередньо на верхній частині основи/підшови.
3. Тримаючи шліфувальну підшову однією рукою, вирівняйте отвори для видалення пилу.
4. Щільно притисніть кружок до шліфувальної підшови.

## Встановлення електронного дискового регулятора швидкості (рис. A)

Швидкість може плавно змінюватися в діапазоні 8000-12 000 об/хв за допомогою електронного дискового регулятора швидкості .

Поверніть електронний дисковий регулятор швидкості на необхідний рівень. Потрібне значення визначається досвідом.

Як правило, більш тверді матеріали вимагають вищого значення.



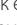
## Видалення пилу (рис. C, D)



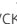



**УВАГА!** Оскільки внаслідок обробки деревини за допомогою шліфувальної машини утворюється пил, завжди встановлюйте на неї пилозбірник, розроблений відповідно до діючих директив щодо викидів пилу.



**УВАГА!** Не використовуйте пилозбірник або пилосос без відповідного захисту іскор при шліфуванні металу.

У цій шліфувальній машині передбачені два механізми відведення пилу: вбудований випускний отвір , в який можна вставити пилозбірник , що надається в комплекті, або до якого можна під'єднати промисловою систему пиловидалення, та пиловий фартух (, рис. D). У вбудованому випускному отворі використовується штуцер повітряної камери DEWALT, завдяки якому відсік є сумісним з пиловловлювачем DEWALT та допоміжним елементом повітряної камери DWV9000.



## Прикріплення пилозбірника

1. Притримуючи шліфувальну машину, прикріпіть манжету пилозбірника  до випускного отвору , як зображено на рис. C.
2. Поверніть манжету  праворуч і щільно зафіксуйте пилозбірник .

## Випорожнення пилозбірника

**ПРИМІТКА.** Обов'язково використовуйте рекомендовані засоби захисту органів зору та рекомендовану протипилову маску при виконанні цієї операції.

Для досягнення найкращого результату при відведенні пилу випорожнюйте пилозбірник тоді, коли він є заповненим приблизно на третину.

1. Щоб відкрити пилозбірник , притримуйте шліфувальну машину та поверніть манжету  ліворуч.
2. Зніміть пилозбірник зі шліфувальної машини. Щоб випорожнити пилозбірник, акуратно потрусіть або постукайте по ньому.
3. Знову прикріпіть пилозбірник до відсіку та зафіксуйте його, повернувши манжету пилозбірника за годинниковою стрілкою.

Ви можете помітити, що не весь пил вдалося усунути з пилозбірника. Це не вплине на ефективність шліфування, але призведе до зниження коефіцієнту пилоуловлювання шліфувальної машини. Щоб відновити коефіцієнт пилоуловлювання шліфувальної машини, під час випорожнення пилозбірника натискайте на пружину всередині нього та стукайте ним по краю баку для сміття або контейнеру для пилу.

## ЕКСПЛУАТАЦІЯ

### Інструкції з використання



**УВАГА!** Завжди дотримуйтесь усіх інструкцій з техніки безпеки та відповідних норм.



**УВАГА!** Щоб знизити ризик серйозних травм, вимкніть інструмент та відключіть його від мережі живлення перед виконанням будь-яких налаштувань або зніманням/встановленням насадок чи аксесуарів. Переконайтеся, що вимикач знаходиться в положенні Вимк. Випадковий запуск може призвести до травм.




**УВАГА!**

- Переконайтеся, що всі матеріали, які потрібно шліфувати, безпечно закріплені на своєму місці.
- Застосовуйте лише м'який тиск на заготовку. Надлишковий тиск не посилить шліфувальний ефект, а призведе до підвищеного навантаження на машину і стане причиною зношення абразиву.
- Уникайте перевантаження інструменту.



**УВАГА!** Не шліфуйте магніт.

**ПРИМІТКА.** Якщо ви намотували шнур навколо інструменту під час зберігання, залиште достатньо велику петлю шнура, щоб не згинати кабельний затиск (, рис. A). Це допоможе попередити передчасне ушкодження шнура.

## Правильне положення рук (рис. E)



**УВАГА!** Щоб знизити ризик серйозних травм, **ЗАВЖДИ** правильно розташуйте руки, як показано.

**!** **УВАГА!** Щоб знизити ризик серйозних травм, **ЗАВЖДИ** надійно тримайте інструмент, щоб попередити випадкову віддачу.

Правильне положення рук вимагає розміщення однієї руки на корпусі шліфмашини **10** або однієї руки на основній ручці **16**, як показано.

## Увімкнення/вимкнення (рис. А)

Установіть швидкість шліфування електронним дисковим регулятором швидкості **2**.

Щоб увімкнути машину, встановіть перемикач увімк./вимк. у положення I.

Щоб вимкнути інструмент, встановіть перемикач увімк./вимк. у положення O.

## Шліфування

Почніть шліфування з грубозернистим шліфувальним кругом. Оскільки інструмент залишає невеликі сліди шліфування по усіх напрямках, немає необхідності шліфувати шліфувальним зерном.

Перевіряйте свою роботу через короткі проміжки часу.

Завжди вимикайте інструмент, коли робота завершена, та перед відключенням від мережі живлення.

## ТЕХНІЧНЕ ОБСЛУГОВУВАННЯ

Ваш інструмент виробництва компанії DeWALT призначений для роботи протягом довгого часу з мінімальним обслуговуванням. Довга задовільна робота приладу залежить від належного обслуговування приладу та регулярного його очищення.

**!** **УВАГА!** Щоб знизити ризик серйозних травм, **вимкніть інструмент та відключіть його від мережі живлення перед виконанням будь-яких налаштувань або зніманням/встановленням насадок чи аксесуарів.** Переконайтеся, що вимикач знаходиться в положенні Вимк. Випадковий запуск може призвести до травм.

## Заміна шліфувальної підшоши та стрічки обмеження швидкості (рис. D)

Ця шліфувальна машина оснащена змінною шліфувальною стрічкою **13**, яка розташовується між шліфувальною підшовою **6** та корпусом шліфувальної машини **10**. Шліфувальна стрічка регулює швидкість роботи шліфувальної підшоши, коли інструмент не торкається робочої поверхні. Шліфувальна стрічка та підшова **6** є витратними деталями, тому час від часу їх необхідно замінювати. Шліфувальна підшова потребує заміни тоді, коли стають помітними ознаки зношення. Заміна шліфувальної стрічки є необхідною, якщо швидкість шліфувальної підшоши надмірно швидко зростає, коли інструмент піднятий над робочою поверхнею. Ці деталі можна додатково купити в місцевій дилерській компанії або офіційному сервісному центрі компанії DeWALT.

1. Міцно тримаючи шліфувальну підшошу, вийміть з неї чотири гвинти **15**.

2. Вийміть шліфувальну підшошу **6**.
3. Замініть зношену або пошкоджену шліфувальну стрічку **13**, обмотайте її навколо гвинта з буртиком **11** та тримайте фіксатор **12**, як показано на рис. D.
4. Встановіть шліфувальну підшошу на місце (в разі необхідності замініть її). Встановіть на місце чотири гвинти **15**. Не затягуйте гвинти занадто міцно.



## Змашування

Ваш електричний інструмент не вимагає додаткового змашування.



## Очищення



**УВАГА!** Коли пил та бруд стають помітними та починають накопичуватися біля вентиляційних отворів, видавайте бруд та пил зсередини основного корпусу за допомогою сухого повітря. Використовуйте рекомендовані засоби захисту органів зору та рекомендовану протипилову маску при виконанні цієї операції.



**УВАГА!** Ніколи не використовуйте розчинники та інші агресивні хімічні засоби для очищення неметалевих деталей інструмента. Такі хімічні речовини можуть нанести шкоду матеріалам, що використовуються в цих деталях. Використовуйте вологу ганчірку, змочену лише водою з м'яким милом. Не дозволяйте рідині потрапляти всередину інструмента та ніколи не занурюйте деталі інструмента в рідину.

## Додаткове приладдя



**УВАГА!** Оскільки інше приладдя, що не рекомендоване компанією DeWALT, не було перевірено з цим виробом, використання такого приладдя з цим інструментом може бути небезпечним. Щоб знизити ризик травми використовуйте лише приладдя, рекомендоване компанією DeWALT.

Зверніться до свого дилера для отримання подальшої інформації щодо відповідного приладдя.

## Захист навколишнього середовища



Роздільний збір. Пристрої та акумулятори, позначені цим символом, не можна викидати зі звичайним побутовим сміттям.

Пристрої та акумулятори містять матеріали, які можна відновити та переробити, що зменшить потребу у сировині. Будь ласка, віддавайте електричні інструменти та акумулятори на переробку відповідно до місцевих постанов. Більш детальну інформацію можна отримати на сайті [www.2helpU.com](http://www.2helpU.com).



Виробник:  
"Stanley Black & Decker Deutschland  
GmbH" Black-&-Decker Str.40, D-65510  
Idstein, Німеччина



**DEWALT**

ГАРАНТІЙНИЙ ТАЛОН

**3 РОКИ  
ГАРАНТІЇ**

1. Вітаємо Вас з покупкою високоякісного виробу DEWALT і висловлюємо вдячність за Ваш вибір.
2. При покупці виробу вимагайте перевірки його комплекtnості і справності у Вашій присутності, інструкцію з експлуатації та заповнений гарантійний талон українською мовою. В гарантійному талоні повинні бути внесені: модель, дата продажу, серійний номер, дата виробництва інструменту, назва, печатка і підпис торгової організації. За відсутності у Вас правильно заповненого гарантійного талону, а також при невідповідності зазначених у ньому даних ми будемо змушені відхилити Ваші претензії щодо якості даного виробу.
3. Щоб уникнути непорозумінь, переконливо просимо Вас перед початком роботи з виробом уважно ознайомитися з інструкцією з його експлуатації. Правовою основою справжніх гарантійних умов є чинне Законодавство. Гарантійний термін на даний виріб складає 36 місяці і обчислюється з дня продажу. У разі усунення недоліків виробу, гарантійний строк продовжується на період його перебування в ремонті. Термін служби виробу становить 5 років з дня продажу.
4. У разі виникнення будь-яких проблем у процесі експлуатації виробу рекомендуємо Вам звертатися тільки в уповноважені сервісні центри DEWALT, адреси та телефони яких Ви зможете знайти в гарантійному талоні, на сайті [www.2helpU.com](http://www.2helpU.com) або дізнатися в магазині. Наші сервісні станції - це не тільки кваліфікований ремонт, але і широкий асортимент запчастин і аксесуарів.
5. Виробник рекомендує проводити періодичну перевірку і технічне обслуговування виробу в уповноважених сервісних центрах.
6. Наші гарантійні зобов'язання поширюються тільки на несправності, виявлені протягом гарантійного терміну і викликані дефектами виробництва та \ або матеріалів.
7. Гарантійні умови не поширюються на несправності виробу, що виникли в результаті:
  - 7.1. Недотримання користувачем приписів інструкції з експлуатації виробу, застосування виробу не за призначенням, неправильного зберігання, використання приладдя, витратних матеріалів і запчастин, що не передбачені виробником.
  - 7.2. Механічного пошкодження (відколи, тріщини і руйнування) внутрішніх і зовнішніх деталей виробу, основних і допоміжних рукояток, мережевого кабелю, що викликані зовнішнім ударним або будь-яким іншим впливом
  - 7.3. Поتراплення у вентиляційні отвори та проникнення всередину виробу сторонніх предметів, матеріалів або речовин, що не є відходами, які супроводжують застосування виробу за призначенням, такими як: стружка, тирса, пісок, тін.
  - 7.4. Впливу на виріб несприятливих атмосферних і інших зовнішніх факторів, таких як дощ, сніг, підвищена вологість, нагрівання, агресивне середовище, невідповідність параметрів електромережі, що зазначені на інструменті.
  - 7.5. Стихійного лиха. Пошкодження або втрати виробу, що пов'язані з непередбаченими лихами, стихійними явищами, у тому числі внаслідок дії непереборної сили (пожежа, блискавка, потоп і інші природні явища), а також внаслідок перепадів напруги в електромережі та іншими причинами, які знаходяться поза контролем виробника.
8. Гарантійні умови не поширюються:
  - 8.1. На інструменти, що піддавалися розкриттю, ремонту або модифікації поза уповноваженим сервісним центром.
  - 8.2. На деталі, вузли та матеріали, що мають сліди природного зносу, такі як: приводні ремені і колеса, вугільні щітки, мастило, підшипники, зубчасті зчеплення редукторів, гумові ущільнення, сальники, направляючі ролики, муфти, викикачі, бойки, штовхачі, столи тощо.
  - 8.3. На змінні частини: патрони, цанги, затискні гайки і фланці, фільтри, ножі, шліфувальні підшви, ланцюги, зірочки, пильні шини, захисні кожухи, пилки, абразиви, пильні і абразивні диски, фрези, свердла, бури тощо
  - 8.4. На несправності, що виникли в результаті перевантаження інструменту (як механічного, так і електричного), що спричинили вихід з ладу одночасно двох і більше деталей і вузлів, таких як: ротора і статора, обох обмоток статора, веденої і ведучої шестерень редуктора або інших вузлів і деталей. До безумовних ознак перевантаження виробу відносяться, крім інших: поява кольорів мінливості, деформація або оплвлення деталей і вузлів виробу, потемніння або обуглювання ізоляції проводів електродвигуна під впливом високої температури.

Товар отриманий в справному стані, без видимих ушкоджень, в повній комплектації, перевірений у моїй присутності, претензій щодо якості товару не маю. З умовами гарантійного обслуговування ознайомлений і згоден.

П. І. Б. та підпис власника \_\_\_\_\_

**Шановні клієнти, наша мережа авторизованих сервісних центрів постійно розширюється. Актуальну інформацію про обслуговування в місті, що цікавить вас, ви можете дізнатися на сайті**

**[www.2helpU.com](http://www.2helpU.com)**

Редакція ВК/12-12-2018

Інформація про інструмент

Найменування інструменту	
Модель	
Найменування продавця	
Дата продажу	

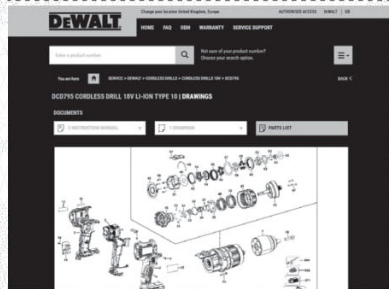
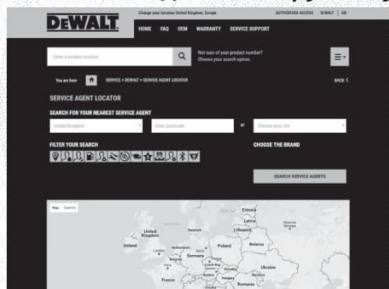
М.П.  
Продавця

Серійний номер/Дата виробництва

Інструмент	
Зарядний пристрій	
Акумулятор 1	
Акумулятор 2	

На сайті [www.2helpU.com](http://www.2helpU.com) доступні наступні функції:

- Список авторизованих сервісних центрів
- Зручний пошук найближчого сервісного центру
- Керівництво з експлуатації
- Технічні характеристики
- Список деталей і запасних частин
- Схема складання інструменту



Також дану інформацію ви можете отримати, зателефонувавши за номером:  
**0 (800) 211 521 в Україні**

ВІДМІТКА ПРО ПРОВЕДЕННЯ СЕРВІСНОГО ОБСЛУГОВУВАННЯ

№1	№2	№3	№4
№ замовлення	№ замовлення	№ замовлення	№ замовлення
Дата прийому	Дата прийому	Дата прийому	Дата прийому
Дата ремонту	Дата ремонту	Дата ремонту	Дата ремонту
Печатка і підпис сервісного центру	Печатка і підпис сервісного центру	Печатка і підпис сервісного центру	Печатка і підпис сервісного центру



