

INSTRUCTION MANUAL

DEWALT®

D28490, D28491
Heavy-Duty Angle Grinder

English	1
Simplified Chinese	10
Korea	21
Thai	30

SAVE THESE INSTRUCTIONS

▲ WARNING! Read and understand all instructions. Failure to follow all instructions listed below, may result in electric shock, fire and/or serious personal injury.

Technical data

		D28490	D28491	D28490-B1	D28491-B1
Voltage	Volt	220V	220V	220-240V	220-240V
Power input	W	2000W	2000W	2000W	2000W
No-Load speed	min ⁻¹	6500	8500	6500	8500
Wheel diameter	mm	230	180	230	180
Spindle		M14	M14	M14	M14
Net weight	kg	4.6	4.6	4.6	4.6

General Safety Instructions

WORK AREA

- **Keep your work area clean and well lit.** Cluttered benches and dark areas invite accidents.
- **Do not operate power tools in explosive atmospheres, such as in the presence of flammable liquids, gases, or dust.** Power tools create sparks which may ignite the dust or fumes.
- **Keep bystanders, children, and visitors away while operating a power tool.** Distractions can cause you to lose control.

ELECTRICAL SAFETY

- **Grounded tools must be plugged into an outlet properly installed and grounded in accordance with all codes and ordinances.** Never remove the grounding prong or modify

the plug in any way. Do not use any adapter plugs. Check with a qualified electrician if you are in doubt as to whether the outlet is properly grounded. If the tools should electrically malfunction or break down, grounding provides a low resistance path to carry electricity away from the user. **Applicable only to Class I (grounded) tools.**

- **Double insulated tools are equipped with a polarized plug (one blade is wider than the other.) This plug will fit in a polarized outlet only one way. If the plug does not fit fully in the outlet, reverse the plug. If it still does not fit, contact a qualified electrician to install a polarized outlet. Do not change the plug in any way.** Double insulation eliminates the need for the three wire grounded power cord and grounded power supply system. **Applicable only to Class II (double insulated) tools.**
- **Avoid body contact with grounded surfaces such as pipes, radiators, ranges and refrigerators.** There is an increased risk of electric shock if your body is grounded.
- **Don't expose power tools to rain or wet conditions.** Water entering a power tool will increase the risk of electric shock.
- **Do not abuse the cord. Never use the cord to carry the tools or pull the plug from an outlet.** Keep cord away from heat, oil, sharp edges or moving parts. Replace damaged cords immediately. Damaged cords increase the risk of electric shock.

PERSONAL SAFETY

- **Stay alert, watch what you are doing and use common sense when operating a power tool. Do not use tool while tired or under the influence of drugs, alcohol, or medication.** A moment of inattention while operating power tools may result in serious personal injury.

- **Dress properly. Do not wear loose clothing or jewelry. Contain long hair. Keep your hair, clothing, and gloves away from moving parts.** Loose clothes, jewelry, or long hair can be caught in moving parts. Air vents often cover moving parts and should also be avoided.
- **Avoid accidental starting. Be sure switch is off before plugging in.** Carrying tools with your finger on the switch or plugging in tools that have the switch on invites accidents.
- **Remove adjusting keys or wrenches before turning the tool on.** A wrench or a key that is left attached to a rotating part of the tool may result in personal injury.
- **Do not overreach. Keep proper footing and balance at all times.** Proper footing and balance enables better control of the tool in unexpected situations.
- **Use safety equipment. Always wear eye protection. Dust mask, non-skid safety shoes, hard hat, or hearing protection must be used for appropriate conditions.**

TOOL USE AND CARE

- **Use clamps or other practical way to secure and support the workpiece to a stable platform.** Holding the work by hand or against your body is unstable and may lead to loss of control.
- **Do not force tool. Use the correct tool for your application.** The correct tool will do the job better and safer at the rate for which it is designed.
- **Do not use tool if switch does not turn it on or off.** Any tool that cannot be controlled with the switch is dangerous and must be repaired.
- **Disconnect the plug from the power source before making any adjustments, changing accessories, or storing the tool.** Such preventative safety measures reduce the risk of starting the tool accidentally.

- **Store idle tools out of reach of children and other untrained persons.** Tools are dangerous in the hands of untrained users.
- **Maintain tools with care. Keep cutting tools sharp and clean.** Properly maintained tools, with sharp cutting edges are less likely to bind and are easier to control.
- **Check for misalignment or binding of moving parts, breakage of parts, and any other condition that may affect the tools operation.** If damaged, have the tool serviced before using. Many accidents are caused by poorly maintained tools.
- **Use only accessories that are recommended by the manufacturer for your model.** Accessories that may be suitable for one tool may become hazardous when used on another tool.

SERVICE

- **Tool service must be performed only by qualified repair personnel.** Service or maintenance performed by unqualified personnel could result in a risk of injury.
- **When servicing a tool, use only identical replacement parts.** Follow instructions in the Maintenance section of this manual. Use of unauthorized parts or failure to follow Maintenance instructions may create a risk of electric shock or injury.

Additional Specific Safety Instructions for Grinders

- **Always use proper guard with grinding wheel.** A guard protects operator from broken wheel fragments and wheel contact.
- **Accessories must be rated for at least the speed recommended on the tool warning label.** Wheels and other accessories running over rated speed can fly apart and cause injury. Refer to the table below. Accessory ratings are above rated no-load tool speeds because actual tool speeds may vary.

NOTE: The rated no load tool speed is printed on the name plate and embossed on the gear case.

- **Hold tool by insulated gripping surfaces when performing an operation where the cutting tool may contact hidden wiring or its own cord.** Contact with a “live” wire will make exposed metal parts of the tool “live” and shock the operator.
- **Before using, inspect recommended accessory for cracks or flaws.** If such a crack or flaw is evident, discard the accessory. The accessory should also be inspected whenever you think the tool may have been dropped.
- **When starting the tool with a new or replacement wheel, or a new or replacement wire brush installed, hold the tool in a well protected area and let it run for one minute.** If the wheel has an undetected crack or flaw, it should burst in less than one minute. If the wire brush has loose wires, they will be detected. Never start the tool with a person in line with the wheel. This includes the operator.
- **In operation, avoid bouncing the wheel or giving it rough treatment.** If this occurs, stop the tool and inspect the wheel.
- **Direct sparks away from operator, bystanders or flammable materials.** Sparks may be produced while using a sander or grinder. Sparks may cause burns or start fires.
- **Always use side handle. Tighten the handle securely.** The side handle should always be used to maintain control of the tool at all times.

⚠ CAUTION: Use extra care when grinding into a corner because a sudden, sharp movement of the grinder may be experienced when the wheel contacts a secondary surface.

- **Clean out your tool often, especially after heavy use.** Dust and grit containing metal particles often accumulate on interior surfaces and could create an electric shock hazard.

⚠ CAUTION: Wear appropriate personal hearing protection during use. Under some conditions and duration of use, noise from this product may contribute to hearing loss.

⚠ WARNING: Some dust created by power sanding, sawing, grinding, drilling, and other construction activities contains chemicals known to cause cancer, birth defects, or other reproductive harm. Some examples of these chemicals are:

- lead from lead-based paints,
- crystalline silica from bricks and cement and other masonry products, and
- arsenic and chromium from chemically-treated lumber (CCA).

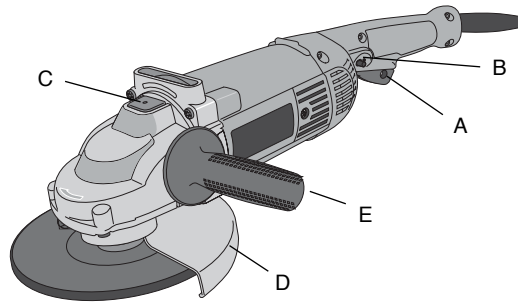
Your risk from these exposures varies, depending on how often you do this type of work. To reduce your exposure to these chemicals: work in a well ventilated area, and work with approved safety equipment, such as those dust masks that are specially designed to filter out microscopic particles.

- **Avoid prolonged contact with dust from power sanding, sawing, grinding, drilling, and other construction activities. Wear protective clothing and wash exposed areas with soap and water.** Allowing dust to get into your mouth, eyes, or lay on the skin may promote absorption of harmful chemicals.
- The label on your tool may include the following symbols.

V.....volts	A.....amperes
Hz.....hertz	Wwatts
minminutes	~alternating current
===direct current	n ₀no load speed
□Class II Construction	.../min.....revolutions or
⊕earthing terminal	reciprocation per
⚠safety alert symbol	minute

FAMILIARIZATION

Large Angle Grinders and Large Angle Sanders are designed for heavy material removal in extended use applications. The following grinders and sanders are described in this manual.



Components

- A. Trigger Switch
- B. Lock On Button
- C. Spindle Lock
- D. Guard
- E. Side Handle

Features

SWITCH

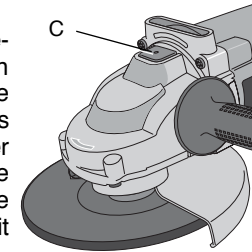
The tool is controlled by a trigger switch (A). A lock-on button (B) provides increased comfort in extended use applications.

MULTIPLE SIDE HANDLE POSITIONS

The side handle can be properly positioned in two locations based on personal preference and application. The side handle must be used at all times to maintain proper control of the tool.

SPINDLE LOCK

The spindle lock pin is provided to prevent the spindle from rotating when installing or removing wheels. Operate the spindle lock pin only when the tool is turned off and unplugged from the power source. To engage the lock, depress the spindle lock button (C) and rotate the spindle until you are unable to rotate it further.



NOTE: Never depress the spindle lock button while the grinder is running. Never turn on the grinder while the spindle lock button is depressed. Damage to your tool may result.

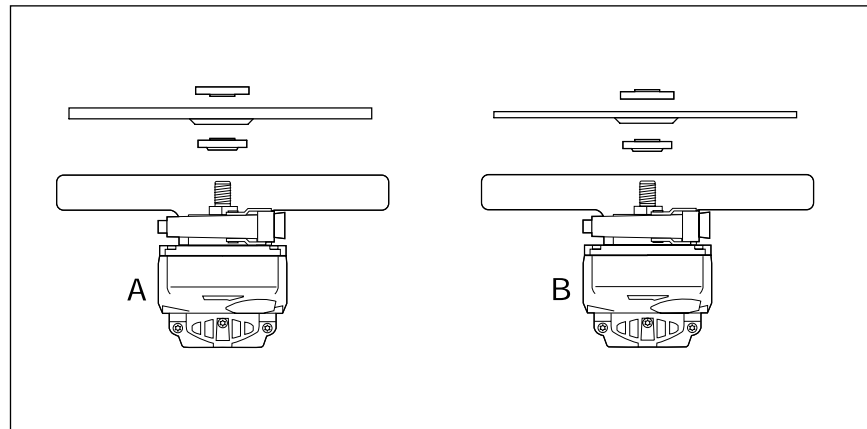
MOUNT

The grinder is equipped with a mount, enabling easy wheel installation and removal.

Accessories and Attachments

It is important to choose the correct guards, backing pads and flanges to use with grinder accessories. See the chart on pages 5 for information on choosing the correct accessories.

⚠CAUTION: Accessories must be rated for at least the speed recommended on the tool warning label. Wheels and other accessories running over rated speed can fly apart and cause injury.



NOTE: Wheel size must match guard size; i.e., a new 180mm wheel may not be used with a 230mm guard. The bottom surface of wheel must be inside the bend of the guard lip.

ASSEMBLY AND ADJUSTMENTS

Attaching the Side Handle

To install the side handle, thread the handle into one of the two positions and tighten **securely** by turning clockwise.

OPERATION

Power Source

Plug the large angle grinder into a dedicated electrical circuit. Operating this tool on a circuit with other tools will decrease tool performance.

Switch

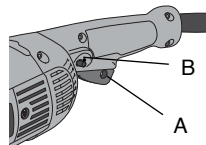
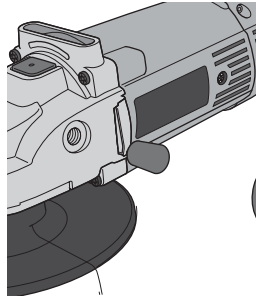
CAUTION: Before connecting the tool to a power source or after a power failure, depress and release the trigger switch (A) once without depressing the lock-on button (B) to ensure that the switch is in the off position. If the trigger switch is locked on, the tool will start unexpectedly when power is reconnected to the tool. Hold the side handle and rear handle firmly to maintain control of tool at start up and during use.

TRIGGER OPERATION

To turn the tool on, depress the trigger switch (A). The tool will remain running while the trigger is depressed. Turn the tool off by releasing the trigger.

TRIGGER OPERATION WITH LOCK-ON FEATURE

To turn tool on, depress trigger. Depress and hold lock-on button (B) while releasing trigger. Lock-on button will remain depressed and tool will remain on.



To turn the tool off, depress and release trigger. The lock pin button will pop out, permitting the trigger to disengage and causing the tool to turn off.

NOTE: Allow the tool to reach full speed before touching tool to work surface. Lift the tool from the work surface before turning the tool off.

CAUTION: Make sure the wheel has come to a complete stop before setting the tool down.

REMOVAL OF LOCK-ON FEATURE

The lock-on button can be permanently removed without compromising compliance with regulatory agencies shown on the tool's nameplate. Removal of the lock pin must be done by a DEWALT service center.

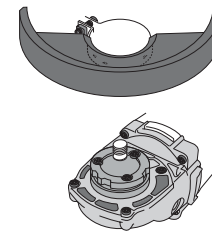
Mounting and Using Depressed Center Grinding Wheels and Sanding Flap Discs

MOUNTING AND REMOVING GUARD

Turn off and unplug tool before making any adjustments or removing or installing accessories. Before reconnecting the tool, depress and release the trigger switch to ensure that the tool is off.

IMPORTANT INFORMATION ABOUT GUARDS

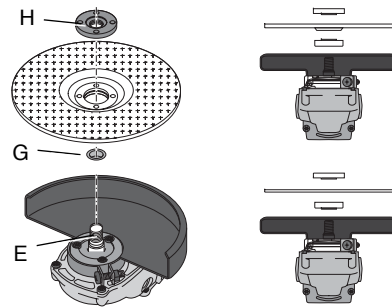
Guards must be used with all grinding wheels, sanding flap discs, wire brushes and wire wheels. The tool may be used without a guard only when sanding with conventional sanding discs.



▲ CAUTION: When using a grinding wheel with a guard, be sure that the bottom surface of the grinding wheel is inside the guard lip.

MOUNTING NON-HUBBED WHEELS

Depressed center, grinding wheels must be used with available accessory flanges. See the charts on pages 5 of this manual for more information.



1. Install the metal backing flange (G) on spindle (E) against the mount.
2. Place wheel against the backing flange, centering the wheel on the backing flange pilot.
3. While depressing the spindle lock button, thread the clamp nut (H) on spindle, piloting the raised hub on clamp nut in the center of grinding wheel.
4. Tighten the clamp nut with a wrench.
5. Reverse the above procedure to remove the wheel.

SURFACE GRINDING WITH GRINDING WHEELS

1. Allow the tool to reach full speed before touching tool to work surface.
2. Apply minimum pressure to work surface, to allow the tool to operate at high speed.
3. Maintain a 20° to 30° angle between the tool and work surface.
4. Continuously move the tool in a forward and back motion to avoid creating gouges in the work surface.
5. Remove the tool from work surface before turning tool off. Allow the tool to stop rotating before setting it down.

EDGE GRINDING WITH GRINDING WHEELS

▲ CAUTION: Wheels used for cutting and edge grinding may break if they bend or twist while the tool is being used to do cut-off work or deep grinding. To reduce the risk of serious injury, limit the use of these wheels with a standard guard to shallow cutting and notching (less than 1/2" in depth). The open side of the guard must be positioned away from the operator. For deeper cutting with a wheel, use a closed, guard. Guards are available at extra cost from your local dealer or authorized service center.

1. Allow the tool to reach full speed before touching the tool to the work surface.
2. Apply minimum pressure to work surface, to allow the tool to operate at high speed.
3. Protect yourself during edge finishing by directing the open side of the guard away from you.
4. Move the tool continuously in a forward and back motion to avoid creating gouges in the work surface.
5. Remove tool from work surface before turning the tool off. Allow the tool to stop rotating before setting it down.

▲ WARNING: Do not use edge grinding wheels for surface grinding applications because edge grinding wheels are not designed for side pressures encountered with surface grinding. Wheel breakage and injury may result.

SURFACE FINISHING WITH SANDING FLAP DISCS

1. Allow the tool to reach full speed before touching tool to work surface.
2. Apply minimum pressure to work surface, to allow the tool to operate at high speed.
3. Maintain a 5° to 10° angle between the tool and work surface.
4. Continuously move the tool in a forward and back motion to avoid creating gouges in the work surface.
5. Remove the tool from work surface before turning tool off. Allow the tool to stop rotating before setting it down.

Mounting and Using Cutting Wheels

Cutting wheels include diamond wheels and abrasive discs. Abrasive cutting wheels for metal and concrete use are available. Diamond blades for concrete cutting can also be used.

▲ WARNING: A closed, cutting wheel guard is not included with this tool. Cutting wheels require proper flanges and guards. A 180mm cutting guard, is available as an accessory and includes proper, matching flanges. Failure to use proper flange and guard can result in injury resulting from wheel breakage and wheel contact.

MOUNTING CLOSED GUARD

Turn off and unplug tool before making any adjustments or removing or installing accessories. Before reconnecting the tool, depress and release the trigger switch to ensure that the tool is off.

1. Align the lugs with slots on the gear case cover. Position the guard facing backward, as shown.
2. Push the guard down until the guard lug engages and rotates freely in the groove on the gear case hub.
3. Rotate guard into desired working position. The guard body should be positioned between the spindle and the operator to provide maximum operator protection.
4. Secure the guard on the gear case cover. You should be unable to rotate the guard by hand when the latch is in closed position. Do not operate grinder with a loose guard or clamp lever in open position.

NOTE: The guard is pre-adjusted to the diameter of the gear case hub at the factory. If, after a period of time, the guard becomes loose, tighten the adjusting screw.

MOUNTING CUTTING WHEELS

1. Remove mount.
2. Install wheel backing flange, aligning flats on spindle with flats on backing flange.
3. Place the wheel on the backing flange, centering the wheel on the backing flange pilot.
4. Install the clamp nut, ensuring that the wheel remains centered on the backing flange.
5. Depress the spindle lock button and tighten clamp nut with wrench.
6. Reverse the above procedure to remove the wheel.

USING CUTTING WHEELS

1. Allow tool to reach full speed before touching tool to work surface.
2. Apply minimum pressure to work surface, allowing tool to operate at high speed.
3. Once you begin a cut, maintain the angle of the cutting wheel

to the work surface. This will keep you from bending the wheel which could result in wheel breakage and injury.

4. Remove the tool from work surface before turning tool off. Allow the tool to stop rotating before setting it down.

MAINTENANCE

Cleaning

Blowing dust and grit out of the motor housing using clean, dry compressed air is a necessary regular maintenance procedure. Dust and grit containing metal particles often accumulate on interior surfaces and could create an electrical shock hazard if not frequently cleaned out. **ALWAYS WEAR SAFETY GLASSES.**

▲ CAUTION: *Never use solvents or other harsh chemicals for cleaning the non-metallic parts of the tool. Use a clean, dry rag only.*

Lubrication

DEWALT tools are properly lubricated at the factory and are ready for use.

Repairs

To assure product SAFETY and RELIABILITY, repairs, maintenance and adjustment should be performed by authorized service centers or other qualified service personnel. Always use identical replacement parts.

Motor Brushes

When brushes become worn, the tool will automatically stop, preventing damage to the motor. Brush replacement should be performed by DEWALT authorized service centers or other qualified service personnel. Qualified service personnel should follow the procedures below when replacing motor brushes.

Turn off and unplug tool before making any adjustments or removing or installing accessories. Before reconnecting the tool, depress and release the trigger switch to ensure that the tool is off.

1. Remove the brush doors located on the sides of motor housing.
2. To remove the brush, hold the female terminal, which is attached to the brush lead wire, and disconnect the female terminal from the male terminal.
3. Pull the brush straight up out of the brush holder.
4. Replace brushes, in pairs, with original DEWALT brushes available from DEWALT authorized service centers.
5. Ensure that the brushes slide freely in brush box.
6. Reconnect the brush lead wire to brush box terminal.
7. Re-install the brush doors before using the tool. Torque screws to 10 in-lbs, maximum. Overtightening may cause screws to strip.

Purchasing Accessories

Recommended accessories for use with your tool are available at extra cost from you local dealer or authorized service center.

▲ CAUTION: *The use of any other accessory not recommended for use with this tool could be hazardous.*

角向磨光机 D28490型 / D28491型

欢迎购买得伟(DeWALT)产品!

感谢您选择得伟产品。凭借多年的经验和产品开发及创新方面的不断努力，得伟已经成功跻身于专业电动工具用户的最可靠伙伴之一。

技术参数

		D28490	D28491	D28490-B1	D28491-B1
电压	伏特	220V	220V	220-240V	220-240V
输入功率	瓦	2000W	2000W	2000W	2000W
空载速度	分钟	6500	8500	6500	8500
砂轮直径	毫米	230	180	230	180
	主轴	M14	M14	M14	M14
	净重	千克	4.6	4.6	4.6

一般安全规定

a) 工作场地

- 1) 保持工作场地清洁和明亮。混乱和黑暗的场地会引发事故。
- 2) 不要在易爆环境，如有易燃液体、气体或粉尘的环境下操作电动工具。电动工具产生的火花会点燃粉尘或气体。
- 3) 让儿童和旁观者离开后操纵电动工具。分心会使你放松控制。

b) 电气安全

- 1) 电动工具插头必须与插座相配。不能以任何方式改装插头。需接地的电动工具不能使用任何转换插头。未经改装的插头和相配的插座将减少触电危险。

- 2) 避免人体接触接地表面，如管道、散热片和冰箱。如果你身体接地会增加触电危险。
- 3) 不得将电动工具暴露在雨中或潮湿环境中。水进入电动工具将增加触电危险。
- 4) 不得滥用电线。绝不能用电线搬运、拉动电动工具或拔出其插头。让电动工具远离热、油、锐边或运动部件。受损或缠绕的电线会增加触电危险。
- 5) 当在户外使用电动工具时，使用适合户外使用的外接电线。适合户外使用的电线将减少触电危险。

c) 人身安全

- 1) 保持警觉，当操作电动工具时关注所从事的操作并保持清醒。切勿在有疲倦、药物、酒精或治疗反应下操作电动工具。在操作电动工具期间精力分散会导致严重人身伤害。
- 2) 使用安全装置。始终配戴护目镜。安全装置，诸如适当条件下的防尘面具、防滑安全鞋、安全帽、听力防护等装置能减少人身伤害。
- 3) 避免突然起动。确保开关在插入插头时处于关断位置。手指放在已接通电源的开关上或开关处于接通时插入头可能会导致危险。
- 4) 在电动工具接通之前，拿掉所有调节钥匙或扳手。遗留在电动工具旋转零件上的扳手或钥匙会导致人身伤害。
- 5) 手不要伸得太长。时刻注意脚下和身体平衡。这样在意外情况下能很好地控制电动工具。
- 6) 着装适当。不要穿宽松衣服或佩带饰品。让你的头发、衣服和袖子远离运动部件。宽松衣服、佩饰或长发可能会卷入运动部件。
- 7) 如果提供了与排屑装置、集尘设备连接用的装置，则确保他们连接完好且使用得当。使用这些装置可减少碎屑引起的危险。

d) 电动工具使用和注意事项

- 1) 不要滥用电动工具，根据用途使用适当的电动工具。选用适当的设计额值的电动工具会使你工作有效、更安全。
- 2) 如果开关不能接通或关断工具电源，则不能使用该电动工具。不能用开关来控制的电动工具是危险的且必须进行修理。
- 3) 在进行任何调节、更换附件或贮存电动工具之前，必须从电源上拔掉插头和/或将电池盒脱开电源。这种防护性措施将减少电动工具突然起动的危险。
- 4) 将闲置电动工具贮存在儿童所及范围之外，并且不要让不熟悉电动工具或对这些说明不了解的人操作电动工具。电动工具在未经训练的用户手中是危险的。
- 5) 保养电动工具。检查运动部件的安装偏差或卡住、零件破损情况和影响电动工具运行的其它条件。如有损坏，电动工具必须在使用前修理好。许多事故由维护不良的电动工具引发。
- 6) 保持切削刀具锋利和清洁。保养良好的有锋利切削刃的刀具不易卡住而且容易控制。
- 7) 按照使用说明书以及打算使用的电动工具的特殊类型要求的方式，考虑作业条件和进行的作业来使用电动工具、附件和工具的刀头等。电动工具用作那些与要求不符的操作可能会导致危险情况。

e) 维修

- 1) 将你的电动工具送交专业维修人员，必须使用同样的备件进行更换。这样确保所维修的电动工具的安全性。

所有操作的使用说明书

砂磨、砂光、钢丝砂光或砂磨切割操作的通用安全警告：

- a) 该电动工具是用于实现砂轮机、砂光机、钢丝刷或切断工具功能的。阅读随该电动工具提供的所有安全警告、说明、

图解和规定。不了解以下所列所有说明将导致电击、着火和/或严重伤害。

- b) 不推荐用该电动工具进行诸如抛光等操作。电动工具不按指定的功能去操作，可能会发生危险和引起人身伤害。
- c) 不使用的非工具制造商推荐和专门设计的附件。否则该附件可能被装到你的电动工具上，而它不能保证安全操作。
- d) 附件的额定速度必须至少等于电动工具上标出的最大速度。附件以比其额定速度大的速度运转会发生爆裂和飞溅。
- e) 附件的外径和厚度必须在电动工具额定能力范围之内。不正确的附件尺寸不能得到充分防护或控制。
- f) 砂轮、法兰盘、靠背垫或任何其他附件的轴孔尺寸必须适合于安装到电动工具的主轴上。带轴孔的、与电动工具安装件不配的附件将会失稳、过度振动并会引起失控。
- g) 不要使用损坏的附件。在每次使用前要检查附件，例如砂轮是否有碎片和裂缝，靠背垫是否有裂缝、撕裂或过度磨损，钢丝刷是否松动或金属丝是否断裂。如果电动工具或附件跌落了，检查是否有损坏或安装没有损坏的附件。检查和安装附件后，让自己和旁观者的位置远离旋转附件的平面，并以电动工具最大空载速度运行1min。损坏的附件通常在该试验时会碎裂。
- h) 戴上防护用品。根据适用情况，使用面罩、安全护目镜或安全眼镜。适用时，戴上防尘面具、听力保护器、手套和能挡小磨料或工件碎片的工作围裙。眼防护罩必须挡住各种操作产生的飞屑。防尘面具或口罩必须能过滤操作产生的颗粒。长期暴露在高强度噪声中会引起失聪。
- i) 让旁观者与工作区域保持一安全距离。任何进入工作区域的人

必须戴上防护用品。工件或破损附件的碎片可能会飞出并引起紧靠着操作区域的旁观者的伤害。切割附件触及带电导线会使电动工具外露的金属零件带电，并使操作者触电。

j) 当在切割附件有可能切割到暗线或自身电线的场所进行操作时，只能通过绝缘握持面来握住电动工具。切割附件碰到一根带电导线可能会使电动工具的外露金属零件带电并使操作者发生电击危险。

k) 使软线远离旋转的附件。如果控制不当，软线可能被切断或缠绕，并使得你的手或手臂可能被卷入旋转附件中。

l) 直到附件完全停止运动才放下电动工具。旋转的附件可能会抓住表面并拉动电动工具而让你失去对工具的控制。

m) 当携带电动工具时不要开动它。意外地触及旋转附件可能会缠绕你的衣服而使附件伤害身体。

n) 经常清理电动工具的通风口。电动机风扇会将灰尘吸进机壳，过多的金属粉末沉积会导致电气危险。

o) 不要在易燃材料附件操作电动工具。火星可能会点燃这些材料。

p) 不要使用需用冷却液的附件。用水或其他冷却液可能会导致电腐蚀或电击。

对所有操作的进一步安全说明

反弹和相关警告

反弹是因卡住或缠绕住的旋转砂轮、靠背垫、钢丝刷或其他附件而产生的突然反作用力。卡住或缠绕会引起旋转附件的迅速堵转，随之使失控的电动工具在卡住点产生与附件旋转方向相反的运动。

例如，如果砂轮被工件缠绕或卡住，伸入卡住点的砂轮边缘可能会进入材料表面而引起砂轮爬出或反弹。砂轮可能飞向或飞离操作者，这取决于砂轮在卡住点的运动方向。在此条件下砂轮也可

能碎裂。

反弹是电动工具误用和/或不正确操作工序或条件的结果，可以通过采取以下给出的适当预防措施得以避免。

a) 保持紧握电动工具，使你的身体和手臂处于正确状态以抵抗反弹力。如有辅助手柄，则要一直使用，以便最大限度控制住启动时的反弹力或反力矩。如采取合适的预防措施，操作者就可以控制反力矩或反弹力。

b) 绝不能将手靠近旋转附件。附件可能会反弹碰到手。

c) 不要站在发生反弹时电动工具可能移动到的地方。反弹将在缠绕点驱使工具逆砂轮运动方向运动。

d) 当在尖角、锐边等处作业时要特别小心。避免附件的弹跳和缠绕。尖角、锐边和弹跳具有缠绕旋转附件的趋势并引起反弹的失控。

e) 不要附装上锯链、木雕刀片或带齿锯片。这些锯片会产生频繁的反弹和失控。

砂磨和切割操作的附加安全说明

对磨削和砂磨切割操作的专用安全警告：

a) 只使用所推荐的砂轮型号和为选用砂轮专门设计的护罩。不是为电动工具设计的砂轮不能充分得到防护，是不安全的。

b) 护罩必须牢固地装在电动工具上，且放置得最具安全性，只有最小的砂轮部分暴露在操作人面前。护罩帮助保护操作者免于受到爆裂砂轮碎片和偶然触及砂轮的危險。

c) 砂轮只用作推荐的用途。例如：不要用切割砂轮的侧面进行磨削。施加到砂轮侧面的力可能会使其碎裂。

- d)始终为所选砂轮选用未损坏的、有恰当规格和形状的砂轮法兰盘。合适的砂轮法兰盘支承砂轮可以减小砂轮破裂的可能性。切割砂轮的法兰盘可以不同于砂轮法兰盘。
- e)不要使用从大规格电动工具上用剩的磨损砂轮。用于大规格电动工具上的砂轮不适于较小规格工具的高速工况并可能会爆裂。

切割操作的附加安全说明

对砂轮切割操作的附加专用安全警告：

- a)不要“夹”住切割砂轮或施加过大的压力。不要试图做过深的切割。给砂轮施加过应力增加了砂轮在切割时的负载，容易缠绕或卡住，增加了反弹或砂轮爆裂的可能性。
- b)身体不要对着旋转砂轮，也不要站在其后。当把砂轮从操作者身边的操作点移开时，可能的反弹会使旋转砂轮和电动工具朝你推来。
- c)当砂轮被卡住或无论任何原因而中断切割时，关掉电动工具并握住工具不要动，直到砂轮完全停止。决不要试图当砂轮仍然运转时使切割砂轮脱离切割，否则会发生反弹。调查并采取校正措施以消除砂轮卡住的原因。
- d)不能在工件上重新启动切割操作。让砂轮达到全速后再小心地重新进入切割。如果电动工具在工件上重新启动，砂轮可能会卡住、爬出或反弹。
- e)支撑住板材或超大工件可使得砂轮卡住和反弹的危险降到最低限度。大工件凭借自重而下垂。必须在工件靠近切割线处和砂轮两侧近工件边缘处放置支承。
- f)当进行“盲切割”进入墙体或其它盲区时要格外小心。伸出的砂轮可能会割到煤气管或水管，电线或由此引起反弹的物体。

砂光操作的附加安全说明：

砂光操作的专用安全警告：

- a)当砂光时，不要使用超大砂盘纸。选用砂盘纸时应按照制造商的推荐。超出砂光垫盘的大砂盘纸有撕裂的危险并且会引起缠绕、砂盘的撕裂或反弹。

钢丝刷操作的附加安全说明：

钢丝刷操作的专用安全警告：

- a)要意识到即使正常操作时钢丝线也会随刷子甩出。不要对钢丝刷施加过大的负荷而使得钢丝线承受过应力。钢丝线可能会轻易刺入薄的衣服和/或皮肤内。
- b)如果建议钢丝刷使用护罩，则不允许该护罩对钢丝轮或钢丝刷有任何干扰。钢丝轮或钢丝刷在工作负荷和离心力作用下直径会变大。

砂轮机附加特殊安全规定

- 砂轮必须一直配备恰当的防护装置。防护装置可防止破碎的砂轮颗粒伤到操作人员并且防止砂轮碰到操作人员。
- 附件的额定速度必须至少达到工具警示牌的推荐速度。如果砂轮和其它附件的旋转速度超过额定速度，可能会分离飞出，造成伤害。参考下表。附件的额定值须超过工具额定空载速度，因为工具实际速度是变化的。

说明：工具额定空载转速印在铭牌上，并且压印在齿轮壳上。

- 切割工具可能会接触到隐线或其自身的电缆线，因此在进行作业时，必须握住工具的绝缘夹持面。工具如果与带电电线接触会使工具的外露金属部件带电，从而使操作人员触电。
 - 每次使用前应检查推荐的附件是否有裂纹或瑕疵。如果有明显的裂纹或瑕疵，丢弃该附件。如果你认为工具可能跌落过，也必须检查附件。
 - 如果工具砂轮是新的、刚替换的，或者刚安上新、替换的钢丝刷，请在一个有周密保护的空間握住工具，让其运转一分钟以上。如果砂轮有难以察觉的裂缝或瑕疵，那么该砂轮会在几分钟内爆裂。如果钢丝刷有松脱的钢丝，就会被发现。严禁在有人(包括操作人员本人在内)与砂轮之间成一直线时启动工具。
 - 请勿猛撞砂轮或者粗暴使用砂轮。如果出现这种情况，请关闭工具进行检查。
 - 防止火星碰到操作人员、旁观者或易燃物品。工具在切割或研磨时，可能会产生火星。这些火星可能会导致(人员)烫伤或引发火灾。
 - 请一直使用并且紧握侧手柄。无论什么时候，都必须一直使用侧手柄来保持对工具的控制。
- ▲ **注意：**打磨边角时应格外当心，因为在砂轮接触第二平面时，砂轮机会突然急剧地移动。
- 请经常清洁您的工具，尤其是在经过繁重使用后。含有金属微粒的粉尘经常会沉积在工具的内表面，从而产生电击风险。
- ▲ **注意：**在使用工具时，请佩带恰当的个人听力保护装置。在某

些情况下以及长期使用本产品时，本产品所产生的噪音可能会影响听力。

▲ **警告：**由电动打磨、切割、研磨、钻孔和其它一些建筑活动所产生的某些灰尘包含一些致癌、导致不育或其他生殖性疾病的化学物质。此类化学物质中的一些例子有：

- 铅基油漆中的铅
- 砖石、水泥和其它砖石结构产品中所含的石英
- 经过化学品处理的木材 (CCA) 中所含有的砷和铬

您接触这些物质的风险取决于您从事此类工作的频率。为了降低接触这些化学物质的风险：保持工作场所通风良好、采用认可的安全防护装备，例如过滤细微颗粒的专用防尘面具。

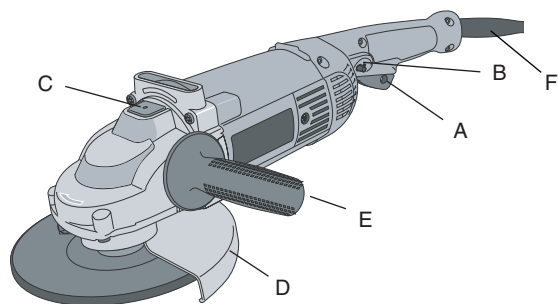
- 避免与电动打磨、切割、研磨、钻孔和其它一些建筑活动所产生的灰尘有过长的接触。穿戴防护服并且用水和肥皂清洗外露表面。如让灰尘进入您的口、眼或停留在皮肤上可能会促进对有害化学物品的吸收。

- 您工具上的铭牌可能会包含如下符号。

V.....电压	A.....安培
Hz.....赫兹	W.....瓦特
min.....分钟	~.....交流电
===直流电	n_0空载速度
□.....双重绝缘	.../min.....每分钟转数或
⊕.....接地终端	往复次数
▲.....安全小心标志	

熟悉工具

大型角向砂轮机 and 大型角向磨光机适用于金属切削等扩展应用的重型作业。本说明书描述的磨光机和砂轮机如下：



部件名称

- A. 触发开关
- B. 锁定按钮
- C. 主轴锁
- D. 防护装置
- E. 侧手柄
- F. 电源线

特点

开关

此工具通过触发开关(A)来控制。锁定按钮(B)在扩展应用时增加舒适性。

多位置侧手柄

侧手柄可以根据个人习惯以及实际应用适当地安装在两个位置。必须一直使用侧手柄来保持对工具的控制。

主轴锁

主轴锁销用于防止主轴在安装和卸下轮子时转动。只有当关闭电源，拔掉插头后，才可启动主轴锁。如欲啮合主轴锁，请按下主轴锁按钮(C)并转动主轴直到主轴不能转动为止。

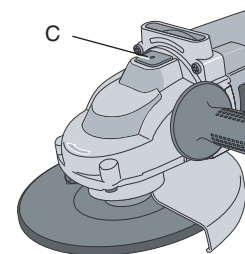
说明：在工具处于作业状态时，切勿按下主轴锁按钮；在按下主轴锁按钮时，禁止启动工具，否则会给工具造成损伤。

托板

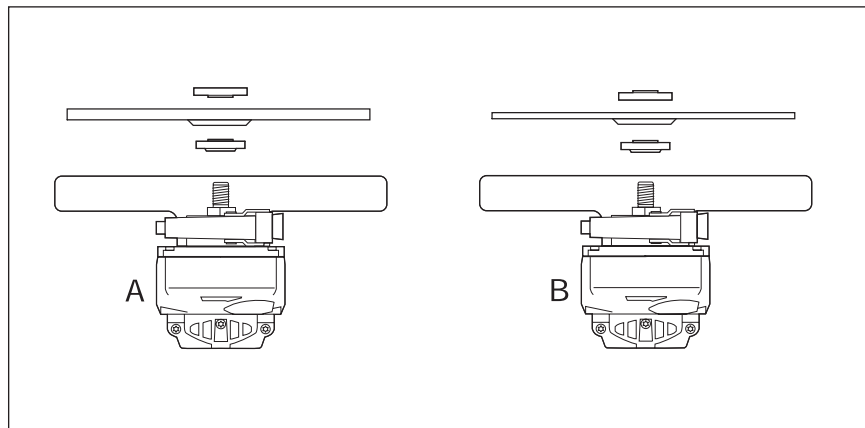
磨光机配有托板，便于装卸砂轮。

配件与附件

为磨光机选择正确的防护装置、衬垫和凸缘至关重要。参见第14页表格来正确选择配件。



▲ 注意：附件的额定速度必须至少达到工具警示牌的推荐速度。
如果砂轮和其它附件的旋转速度超过额定速度，可能会分离飞出，造成伤害。



说明：砂轮尺寸必须匹配防护装置的尺寸；即，230mm新砂轮不可以使用9"防护装置。
砂轮底面必须位于弯曲的防护凸缘内部。

安装与调节

安装侧手柄

安装侧手柄时，把手柄旋入两个孔中的一个，并沿顺时针方向拧紧。

操作

电源

把大型角向磨光机插接到专用电路上。与其它工具共用电路会降低工具性能。

开关

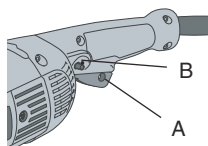
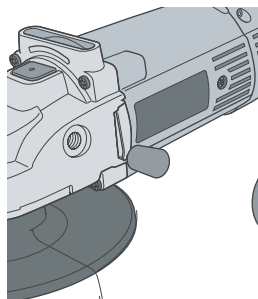
▲ 注意：工具与电源连接前或者在停电后，请按压触发开关(A)后松开一次，不要按锁定按钮(B)，以确保开关处于“OFF”（关）状态。如果触发开关被锁定，在接通电源时，工具会意外起动。请紧握侧手柄及后手柄，保持起动和使用过程中对工具的控制。使用侧手柄来维持对工具的控制。

触发开关的操作

要启动工具，按下触发开关(A)。在触发开关处于按下状态时，工具保持运转。松开触发开关，工具停止运行。

触发操作与锁定特性

要启动工具，按下触发开关。在松开触发开关的同时，按下并保持锁定按钮(B)。持锁定按钮将保持按下状态，工具持续工作。



要关闭工具，按下并松开触发开关。锁定销会自动弹出，允许触发开关脱离并关闭工具。

说明：接触工作面前，让磨轮保持全速运动。关闭工具前，将工具从工作面上举起。

▲ 注意：在放下工具前，应确保磨轮完全停止转动。

排除锁定特性

锁定特性可以永久排除，而且不影响工具铭牌上规定的效力。锁定销的拆除必须由得伟服务中心进行。

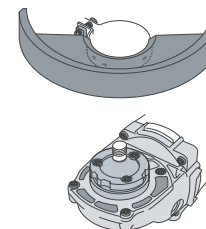
凹心磨轮及平盘砂轮的安装与使用

安装和卸下防护装置

在进行任何调试、卸下或安装附件之前，请关闭电源并拔开工具的插头。工具重新接通电源前，请按下并松开触发开关以确保切断工具电源。

关于防护装置的重要信息

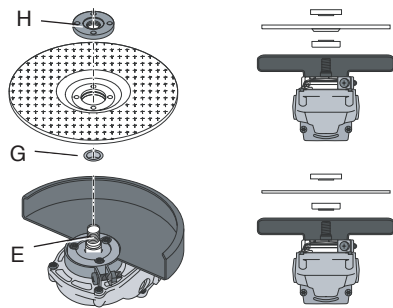
所有的磨轮、砂轮片、钢丝刷以及钢丝轮必须使用防护装置。防护罩锁紧扭力不得少于4.5NM，以防止使用意外造成伤害。只有在使用传统砂轮片打磨时，工具可以不带防护装置。



▲ 注意：在使用配有防护装置的砂轮时，砂轮底面必须位于弯曲的防护凸缘内部。

无毂砂轮的安装

凹心砂轮必须与配件凸缘一起使用。参阅本说明书第5页了解更多信息。



1. 安装金属衬垫凸缘(G)到主轴(E)并支撑到安装垫上。
2. 将砂轮对准衬垫凸缘，并且使砂轮与衬垫凸缘导向的中心对准。
3. 在按下主轴锁的同时，把锁紧螺母(H)拧到主轴上。引导锁紧螺母上的凸毂进入砂轮中心。
4. 使用扳手紧固锁紧螺母。
5. 要拆除砂轮，反向操作以上步骤。

用砂轮进行平面磨削操作

1. 在工具与工件表面接触之前，必须确保本工具以全速运转。
2. 请向工件表面施加最小压力，这样可确保电动工具能够高速运转。
3. 工具和工件表面之间保持 20° 至 30° 的角度。
4. 以前后运动方向持续不断的移动本工具，这样可防止在工件表面产生凿槽(孔)。
5. 在关闭工具之前，先将工具从工件表面移开。在放下工具之前，必须先确保工具停止旋转。
6. 建议用户采用得伟原装砂轮片；并选用标称最大转速1.1倍的砂轮片。

用砂轮进行磨边操作

▲ 注意：在工具进行切割作业或深磨作业时，用于切割或磨边作业的砂轮，如果被弯曲或扭曲，那么可能会爆裂。为了降低出现严重伤害的风险，必须用标准的防护装置来限制此类砂轮的使用，使其只能进行浅度切割和开槽作业(深度不到0.5英寸)。防护装置开口面的定位不能对着操作人员。如欲用切割轮进行深度切割，那么请使用密闭型的防护装置。您可从本地经销商处或特约维修中心处另外付费购买到防护装置。

1. 在工具与工件表面接触之前，必须确保工具以全速运转。
2. 请向工件表面施加最小压力，这样可确保电动工具能够高速运转。
3. 请注意磨边时的自我保护，不要让防护装置的开口对着您。
4. 以前后运动方向持续不断的移动本工具，这样可防止在工件表面产生凿槽(孔)。
5. 在关闭工具之前，先将工具从工件表面移开。在放下工具之前，必须先确保工具停止旋转。

▲ 警告：请勿将磨边/切割砂轮用于平面磨削场合，因为这些砂轮自身的设计构造并不足以抗受平面磨削所产生的侧压。如果这样，砂轮可能会爆裂，而且可能会有出现伤害情况。

翼片砂轮抛光

1. 在工具与工件表面接触之前，必须确保本工具以全速运转。
2. 请向工件表面施加最小压力，这样可确保电动工具能够高速运转。
3. 工具和工件表面之间保持5°至10°的角度。
4. 以前后运动方向持续不断的移动本工具，这样可防止在工件表面产生凿槽(孔)。
5. 在关闭工具之前，先将工具从工件表面移开。在放下工具之前，必须先确保工具停止旋转。

切割轮的安装和使用

切割轮包括金刚石砂轮和研磨砂轮盘。也供应有金属和水泥应用场合所需的研磨切片。此外，金刚石切片也可以使用于水泥切割场合。

▲ 警告：本工具并不包括密闭型的切片防护装置。但是在使用切片时必须要有正确的凸缘和防护装置。可以提供180mm切割防护装置作为配件，这包括合适的配套凸缘。如果没有使用恰当的凸缘和防护装置，那么由于砂轮爆裂和轮片接触现象，可能会出现伤害情况。

密闭型防护装置的安装

在进行调整、更换附件之前，请关闭工具并将工具的插头从电源插座中拔开。在重新接通工具电源之前，请按下并松开触发开关，确保工具处于关闭状态。

1. 将凸耳与齿轮箱上的槽对中。把防护装置向后定位，如图所示。
2. 下压防护装置直到其凸耳啮合在齿轮箱轂的槽里，并在齿轮箱轂上自由旋转。
3. 将防护装置旋转至需要的工作部位。防护装置主体的定位必须位于主轴和操作人员之间，这样可为操作人员提供最大限度的保护。
4. 将防护装置固定在齿轮箱箱盖上。如果插销处于闭合位置，那么您应当无法用手转动防护装置。如果防护装置并没有固定紧，或者夹紧把手处于打开位置，那么请勿启动研磨机。

说明：防护装置在出厂时已经预先根据齿轮箱的轂直径调准。如果使用一段时期后，防护装置松动，请将调节螺丝紧固。

切割砂轮的安装

1. 卸下安装垫。
2. 安装砂轮衬垫凸缘，将主轴平面与衬垫凸缘平面对正。
3. 将砂轮放到衬垫凸缘上，把砂轮和衬垫凸缘的导向中心对正。
4. 装上锁紧螺母，确保砂轮与衬垫凸缘对心。
5. 按下主轴锁紧按钮并用扳手紧固锁紧螺母。
6. 要拆除砂轮，反向操作以上步骤。

使用切割轮

1. 在工具与工作表面接触之前，请保持工具全速转动。
2. 对工作表面施加最小压力，确保工具可高速作业。
3. 一旦切割开始，请不要改变砂轮与工件表面的切割角度。改变切割角度会导致砂轮弯曲并可能会导致砂轮爆裂、人身伤害。

4. 在关闭工具电源之前就将工具与工作表面分离。在将工具放下之前必须确保工具停止转动。

维护 清洁

利用清洁干燥的压缩空气吹走马达和开关启动器中的灰尘和沙砾，这是必须定期进行的维护流程。含有金属颗粒的灰尘和沙砾常常累积在内表面，如果不定期清理干净，则可能会导致电击或触电。必须一直佩戴护目镜。

▲ 注意：切勿使用溶剂或其它刺激性化学品清洁工具的非金属部件。只能使用洁净干燥的抹布。

润滑

得伟电动工具在出厂之前已完全润滑，即可使用。

修理

为确保产品的安全性和可靠性，修理、维护和调整工作均必须由授权的服务中心或其它合格的维护人员进行。必须一直使用同一替换部件。

马达碳刷

碳刷磨短时，工具自动关闭，避免损坏马达。碳刷更换工作必须由得伟授权的服务中心或其它合格的维护人员进行。在更换碳刷时，合格的维护人员应该遵守下列程序。

在进行调整、更换附件之前，请关闭工具并将工具的插头从电源插座中拔开。在重新接通工具电源之前，请按下并松开触发开关，确保工具处于关闭状态。

1. 取下马达外壳侧面的碳刷盖。
2. 要取下碳刷，先夹住连接碳刷引线的阴接头，然后把阴接头从阳接头中拆开。
3. 从碳刷座上直拉并取出碳刷。
4. 成对更换来自得伟授权的服务中心的碳刷。
5. 确保碳刷在碳刷架内自由滑动。
6. 重新连接碳刷引线到碳刷终端盒。
7. 使用工具前装回碳刷盖。施加到螺钉的最大拧紧扭矩为10 in-lbs。拧紧过度会导致螺钉脱落。

配件采购

自本地经销商或授权服务中心处获得的推荐使用的配件，需另外付费。

▲ 注意：如果本工具使用任何其它非推荐配件，可能会有危险。

制造商：百得（苏州）科技有限公司
地址：苏州工业园区苏虹中路200号出口加工区

본 사용 설명서를 잘 보관하십시오.

▲ 경고! 본 설명서 전체를 주의 깊게 읽으십시오. 아래 지시사항을 준수하지 않을 경우, 감전, 화재, 부상위험이 생길 수 있습니다.

기술 데이터

		D28490	D28491	D28490-B1	D28491-B1
전압	V	220V	220V	220-240V	220-240V
공급 전력	W	2000W	2000W	2000W	2000W
무부하 속도	최소 ¹⁾	6500	8500	6500	8500
휠 직경	mm	230	180	230	180
축		M14	M14	M14	M14
무게	千克	4.6	4.6	4.6	4.6

일반 안전 수칙

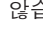
작업 공간

- 작업공간을 밝고 깨끗하게 유지하십시오. 정리되지 않고 어두운 공간에서는 사고위험이 있습니다.
- 가연성 액체, 가스, 먼지등으로 인한, 폭발위험이 있는 환경에서 전동기구를 사용하지 마십시오. 전동기구는 스파크를 일으키고 이는 먼지나 가스에 불을 붙일 수도 있습니다.
- 전동기구를 이용한 작업중, 어린이나 낯선 사람들 또는 방문객들이 주위에 접근하지 못하게 하십시오. 주의력이 분산되면, 기구 작동시 통제력을 잃을 수도 있습니다.

전기 안전

- 접지된 기구의 플러그는 제대로 설치된 콘센트에 끼워져야 하며,

모든 관련 규정과 규칙에 맞게 접지되어야 합니다. 결코 접지된 끝부분을 제거하지 마시고, 또한 어떤 방식으로도 플러그를 변형시키지 마십시오. 어떤 어댑터 플러그도 사용하지 마십시오. 콘센트가 제대로 접지되었는지가 의심스러운 경우에는, 자격이 있는 전기기술자를 통하여 체크하십시오. 만약 기구가 전기적으로 제대로 기능하지 않거나 고장났을 경우, 접지상태는 사용자에게 전기가 통하지 않도록 함에 있어서, 낮은 저항력을 만들어 냅니다. 제 1종 (접지) 전동기구에만 적용되는 사항입니다.

- 이중 절연 기구들은 본국 플러그를 갖고 있습니다 (한쪽 날이 다른 쪽 날보다 더 넓습니다.) 이 플러그는 본국 콘센트에 한가지 방식으로만 맞게 됩니다. 만약 플러그가 콘센트에 넣 맞지 않을 경우, 플러그를 돌려서 사용하지 마십시오. 어떤 경우에도 플러그를 교체하지 마십시오. 이중 절연 방식  은 삼선 접지 전력 코드와 접지 전력 공급 시스템을 필요치 않습니다. 제 2종 (이중 절연) 전동기구에만 적용되는 사항입니다.
- 파이프, 라디에이터, 레인지 그리고 냉장고와 같이, 접지된 표면에 신체를 접촉하지 마십시오. 접지면에 신체가 닿았을 경우, 감전위험은 더 커집니다.
- 전동기구에 비를 맞거나 습한 곳에 두지 마십시오. 전동기구 내부로 수분이 스며들게 되면 감전 위험은 증가합니다.
- 코드를 함부로 다루지 마십시오. 전동기구를 이동시키거나 당기거나 콘센트로부터 플러그를 뽑을 때, 코드를 사용하지 마십시오. 코드를 열, 기름, 날카로운 면 또는 움직이는 물체로부터 멀리두십시오. 손상된 코드는 즉시 교체하십시오. 손상된 코드는 감전의 위험을 증가시킵니다.

개인 안전

- 전동기구를 사용할 때는, 항상 주의를 기울이고, 하고 있는 작업을 똑바로 주시하며, 상식에 맞게 기구를 사용하십시오. 피곤한 상태이거나, 약물, 알콜 또는 의약품을 복용한 상태에서 전동기구를 사용하지 마십시오. 전동기구를 작동시키는 도중 주의를 잃을 경우, 심각한 부상을 입을 수도 있습니다.

- **적절한 의복을 입으십시오.** 헐거운 옷입거나 장신구를 착용하지 마십시오. 기구의 구동부위로부터 머리카락, 옷 그리고 장갑등을 멀리 두십시오. 헐거운 옷이나 장신구 또는 긴 머리카락은 기구의 구동부위에 끼게 될 수 있습니다. 환풍구는 종종 구동부위를 가릴 수 있으므로, 역시 피해야 합니다.
- **급작스런 시동을 피하십시오.** 플러그를 꽂기 전에 구동스위치가 OFF에 놓여있는지를 확인하십시오. 손가락을 구동스위치 부분에 댄 채 전동기구를 옮긴다든지, 또는 구동스위치가 ON인 상태에서 플러그를 꽂는 행위등은 사고를 불러올 수 있습니다.
- **전동기구를 켜기 전에 조정 키나 렌치를 지우도록 하십시오.** 렌치나 조정 키가 전동기구의 회전하는 부분에 끼게 되면 신체적 상해를 입을 수 있습니다.
- **몸을 무리하게 뻗지 마십시오.** 안정된 자세와 균형을 항상 유지하십시오. 안정된 자세와 균형은 예상치 못한 상황에 전동기구를 보다 잘 제어할 수 있게 해 줍니다.
- **안전장비를 사용하십시오.** 항상 보호안경을 착용하십시오. 방진 마스크, 미끄럼 방지용 안전화, 견고한 헬멧, 그리고 귀마개와 같은 안전장비들을 알맞은 조건아래에서 사용하셔야 합니다.

전동기구 사용 및 관리

- **클램프를 사용하거나 또는 다른 실용적인 방법을 통하여, 작업 대상물을 고정된 플랫폼 위에 두어, 작업의 안전을 돕고 지지대 역할을 할 수 있게 하십시오.** 작업 대상물을 손으로 쥐거나 자 신의 신체에 대고 받치는 것은 불안정하며, 제어력을 잃게 될 수도 있습니다.
- **전동기구에 무리한 힘을 가하지 마십시오.** 작업에 맞는 전동기구를 사용하십시오. 원래 고안된 용도에 맞는 전동기구를 사용해야 작업을 보다 쉽게 그리고 안전하게 할 수 있습니다.
- **ON/OFF스위치가 작동하지 않는다면, 전동기구를 사용하지 마십시오.** 스위치 상태가 불량하면 어떤 전동기구도 제대로 컨트롤 될 수 없고, 이는 반드시 수리해야 합니다.

- **전동기구 설정을 변경하거나, 부속품을 갈아끼우거나, 보관시에는 전원으로부터 플러그를 뽑으십시오.** 이러한 예방적인 안전 조치가 예기치 못한 상태에서 전동기구가 시동되는 위험을 감소시킵니다.
- **쓰지않는 전동기구는 아이들이나 또는 다른 미숙련된 사람의 손길이 닿지 않는 곳에 보관하십시오.** 미숙련 사용자가 전동기구를 만지는 것은 위험합니다.
- **전동기구를 잘 정비하십시오.** 절단 도구들을 날카롭고 깨끗하게 유지하십시오. 날카로운 절단면을 가진 잘 정비된 절단 도구들은 쉽게 움직임이 무뎠지거나 하지 않고, 제어하기에도 쉽습니다.
- **구동 부위의 고정 상태, 부품 파손 여부, 그리고 구동 부위가 잘못 정렬되어 있지는 않은지 체크하시고, 기타 전동기구 작동에 영향을 줄 수 있는 다른 상태들에 대해서 점검하십시오.** 손상 부위나 부품이 있으면, 사용 전에 전동기구를 수리하십시오. 전동기구에 대한 부주의한 정비는 많은 사고의 원인이 됩니다.
- **제조업자에 의해 전동기구 모델에 맞는 것으로 권장되는 부품들만을 사용하십시오.** 한가지 전동기구에 맞는 부품들이라 할지라도, 그것이 다른 전동기구에 사용되었을 경우에는 위험할 수도 있습니다.

서비스

- **전동기구 관련 서비스는 유자격 수리공에 의해서만 행해져야 합니다.** 무자격자를 통해 서비스 또는 정비를 받게 될 경우, 부상 의 위험을 야기할 수도 있습니다.
- **전동기구에 대한 서비스를 받을 때, 동일한 대체부품들만을 사용하십시오.** 이 사용 설명서의 정비 파트에 있는 지시사항들을 준수하십시오. 검증되지 않은 부품을 사용하거나 정비 관련 지시사항들을 따르지 않을 경우, 감전이나 부상의 위험이 생길 수도 있습니다.

일반 그라인더 사용을 위한 부가적 상세 안전 수칙수칙

- **그라인더 휠과 함께 항상 알맞은 가드를 사용하십시오.** 가드는 전동기구 사용자가 부러진 휠의 조각이나 휠에 접촉하는 것을 막아줍니다.

- 부품들은 최소한 전동기구상의 경고문구에 적시된 권장 속도에 부합되는 것을 사용해야 합니다. 정해진 속도를 넘는 수준에서 사용되는 휠이나 다른 부품들은 튕겨 날아가거나 상해를 야기할 수 있습니다. 아래 표를 참조하십시오. 실제 기구 작동시의 운전 속도는 가변적일 수 있기 때문에, 부품에 맞는 설정 속도는 규격 무부하 전동기구 속도보다 높습니다.
- ▲ 참조 : 규격 무부하 전동기구 속도는 제품명이 적힌 판에 나와 있고, 기어 케이스에 양각되어 있습니다.
- 절단 기구가 가려진 전선이나 절단 기구 자체의 코드와 접촉하게 될지도 모르는 작업을 수행할 경우에, 기구의 절연된 손잡이 표면을 잡으십시오. “전기가 통하는” 전선과의 접촉이 “운전 중인” 전동기구의 노출된 금속 부위 사이에서 일어날 수도 있으며, 그 경우 작업자에게 전기적 충격을 줄 수 있습니다.
- 사용하기 전에, 권장된 부품 상에 갈라진 틈이나 흠이 없는지를 검사하십시오. 만약 그러한 틈이나 흠이 뚜렷히 보인다면, 그 부품은 버리십시오. 전동기구를 땅에 떨어뜨린 적이 있었던 것으로 생각이 될 때면 언제라도, 부품들을 다시 검사해야 합니다.
- 새로운 휠이나 대체 휠을 장착한 전동기구를 구동시킬 경우, 또는 새로운 와이어 브러시나 대체 와이어 브러시를 설치했을 경우, 안전한 장소에서 기구를 잡고, 1분정도 시운전에 보기도 바랍니다. 만약 휠 상에 발견되지 못한 틈이나 흠이 있다면, 채 1분이 지나기 전에 휠은 파열될 것입니다. 와이어 브러시 상에 느슨한 와이어들이 있다면, 시운전시 발견될 것입니다. 휠과 일직선상에 사람이 있을 경우, 결코 전동기구를 작동시키지 마십시오. 이는 기구작동자도 포함되는 사항입니다.
- 전동기구를 자주 청소해 주시고, 특히 과도한 작업 이후에는 반드시 청소해야 합니다. 금속 입자를 함유한 먼지나 잔모래가 종종 기구 내부 표면에 쌓일 수 있으며, 전기 충격의 위험을 야기할 수 있습니다.
- ▲ 주의 : 전동기구 사용시 적절한 개인용 귀마개를 착용하시기 바랍니다.

작업환경과 사용시간에 따라, 제품으로부터 발생하는 소음이 청각 상실의 원인이 될 수도 있습니다.

▲ 경고 : 파워샌딩, 톱질, 그라인딩, 드릴작업 그밖의 기타 건설작업상의 활동들로부터 생겨나는 먼지 가운데 어떤 것은 암, 기형아 출산 또는 다른 생식기능 상의 위험을 야기하는 것으로 알려진 화학물질들을 함유하고 있습니다. 이러한 화학물질들로는 다음 예를 들 수 있습니다 :

- 납성분 페인트로부터 나오는 납,
- 벽돌, 시멘트 그리고 다른 석재 제품으로부터 나오는 결정질 규소, 그리고
- 화학처리 목재(CCA)로부터 나오는 비소와 크롬.

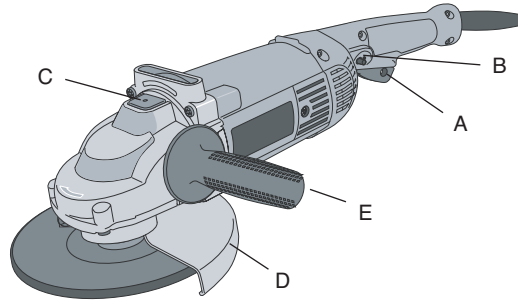
이러한 물질에 노출될 위험은 얼마나 자주 이러한 타입의 작업을 하느냐에 달려 있습니다. 이러한 화학물질에의 노출을 감소시키기 위해서는 : 잘 환기가 되는 곳에서 작업하고, 미세입자들을 걸러낼 수 있도록 특수 설계된 방진 마스크와 같은 공인 안전 장비들이 갖추어진 상태에서 작업하시기 바랍니다.

- 파워 샌딩, 톱질, 그라인딩, 드릴작업 그리고 다른 건설작업상의 활동들로부터 생겨나는 먼지와 접촉이 연장되는 것을 피하십시오. 보호 의복을 입고, 물과 비누를 이용하여 열린 공간에서 씻으십시오. 먼지가 입이나 눈에 들어가거나 피부 위에 쌓이도록 방치하면 해로운 화학물질들의 흡수가능성을 증대시킬 수 있습니다.
- 전동기구 상의 라벨에는 다음과 같은 기호들이 포함되어 있습니다.

V.....볼트	A..... 암페어
Hz.....헤르츠	W와트
min분	~교류
====직류	nO.....무부하 속도
☐.....제2종 건설	.../min.....분당 회전
⊕.....접지극	또는 왕복횟수
▲안전주의마크	

전동기구 설명

대형 앵글 그라인더와 대형 앵글 샌더는 장시간의 사용을 통해, 중량 물질 제거에 맞도록 설계된 전동기구입니다. 이 사용 설명서상에 그라인더와 샌더에 대한 자세한 설명이 나와 있습니다.



구성 부분

- A. 구동 스위치
- B. 잠금 버튼
- C. 축 잠금 장치
- D. 가드
- E. 사이드 핸들

특성

스위치

전동기구는 구동 스위치(A)에 의해 통제됩니다. 잠금 버튼(B)은 제품의 연속적 사용시 안정성을 증대시켜 줍니다.

다양한 사이드 핸들 위치

사이드 핸들은 개인적 선호도와 기구의 적용상태에 따라서 두가지 위치에 둘 수 있습니다. 전동기구를 원활하게 제어하기 위해서는 항상 사이드 핸들을 사용해야만 합니다.

축 잠금 장치

축 잠금 핀은 휠을 설치하거나 제거할 경우, 축이 돌아가는 것을 막아줍니다. 전동기구의 전원을 끄고, 전원에서부터 플러그를 뽑아 둔 상태에서만 축 잠금 핀을 조작하십시오. 잠금 상태를 만들려면, 축 잠금 버튼을 누르고, 축이 더 이상 돌아가지 않을때까지 회전시키십시오.

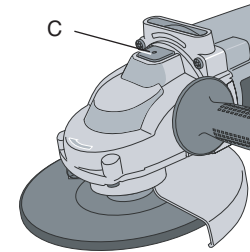
참조 : 그라인더가 운전 중일 때, 절대로 축 잠금 버튼을 누르지 마십시오. 축 잠금 버튼이 눌러진 상태에서 절대로 그라인더의 전원을 켜지 마십시오. 전동기구에 손상이 생길 수 있습니다.

마운트

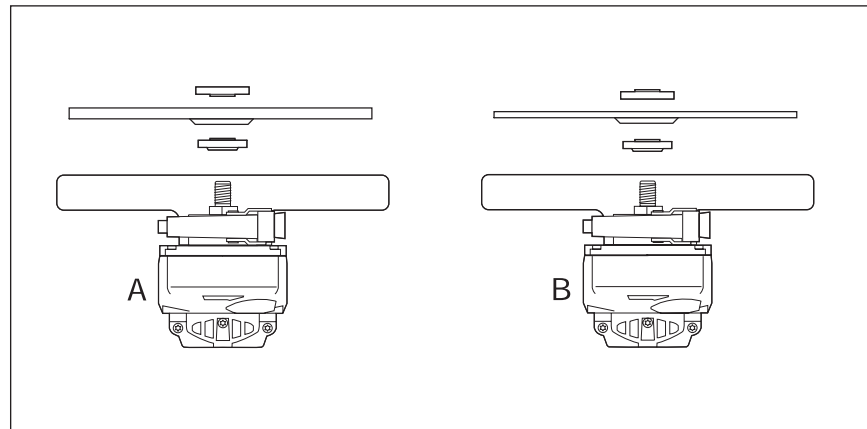
쉽게 휠을 설치하고 제거할 수 있도록, 그라인더에는 마운트가 설치되어 있습니다.

부품 및 부속물

그라인더의 부품으로 사용할 정확한 가드와 지지 패드 그리고 플랜지(테두리)를 선택하는 것이 중요합니다. 정확한 부품 선택에 관한 정보를 얻으려면 5페이지의 차트를 참조하십시오.



▲ 주의: 부품들은 최소한 전동기구상의 경고문구에 적시된 권장 속도에는 부합해야 합니다. 정해진 속도를 넘는 수준에서 사용되는 휠이나 다른 부품들은 튕겨 날아가거나 상해를 야기할 수 있습니다.



참조: 휠 사이즈는 가드 사이즈와 맞아야 합니다 ; 즉, 새로운 180mm 휠은 230mm 가드와 함께 사용할 수 없을 것입니다. 휠의 바닥 표면은 가드 가장자리의 굴곡부 안쪽으로 들어가야만 합니다.

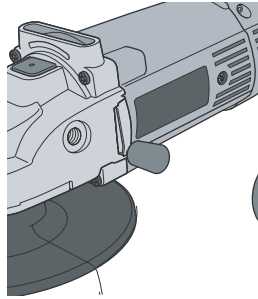
조립 및 조정

사이드 핸들 부착

사이드 핸들을 설정하려면, 핸들을 두가지 위치 가운데 한 쪽으로 밀고, 시계방향으로 돌려서 안전하게 조이십시오.

작동 전원

대형 앵글 그라인더의 플러그를 전력 공급 용도로만 되어 있는 전기 회로에 연결하십시오. 이 전동기구가 연결되어 있는 회로에 다른 전기기구들도 함께 연결하게 되면, 전동기구의 성능이 감소할 것입니다.



스위치

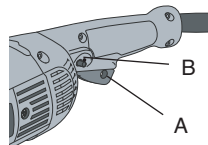
▲ 주의: 전원에 이 전동기구를 연결하기 전에 또는 전력이 끊긴 후에, 스위치가 OFF 위치에 있는지 확인하는 차원에서, 잠금 버튼(B)을 누르지 않은 상태에서, 구동 스위치(A)를 한 번 눌렀다가 놓아보십시오. 만약 구동 스위치가 잠겨있다면, 전력이 다시 전동기구에 공급되었을 때, 예기치 않게 기구가 작동하기 시작할 것입니다. 시작시 그리고 사용시 전동기구에 대한 제어력을 유지할 수 있도록, 사이드 핸들과 후위 핸들을 단단히 잡으십시오.

구동 장치 작동

전동기구를 켜려면 구동 스위치(A)를 누르십시오. 구동 스위치가 눌러져 있는 동안에 기구는 운전 중인 상태에 있을 것입니다. 구동 스위치를 놓아서 전동기구를 끄십시오.

잠금상태에서의 구동 장치 작동

구동 스위치를 눌러 전동기구를 켜십시오. 구동스위치를 놓으면서 잠금 버튼(B)을 눌러 고정시키십시오. 잠금 버튼은 눌러진 채로 있을 것이고, 기구는 계속 작동 중일 것입니다.



전동기구를 멈출려면, 구동 스위치를 눌렀다 놓아주십시오. 잠금 핀 버튼이 튀어나올 것이며, 이는 구동 스위치를 풀리게 만들 것이고, 전동기구를 멈추게 할 것입니다.

참조: 전동기구를 작업 표면에 접촉시키기 전에 기구를 최대 스피드로 한번 돌려주십시오. 전동기구를 끄기 전에 기구를 작업 표면으로부터 들어 올려 주십시오.

▲ 주의: 전동기구를 내려놓기 전에, 휠이 완전히 멈추었는지를 확인하십시오.

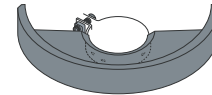
잠금 기능의 제거

제품명판위에 나와 있는 규제 기관의 승인없이도, 잠금 버튼을 영구적으로 제거할 수 있습니다. 잠금 핀의 제거는 DEWALT 서비스 센터를 통해서만 합니다.

중앙부위가 들어간 그라인딩 휠과 샌딩 플랫 디스크의 고정 및 사용

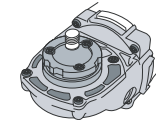
가드 고정 및 제거

부품의 조정, 제거 또는 설치를 하기 전에 전동기구의 전원을 끄고 플러그를 뽑으십시오. 전동기구를 다시 연결하기 전에, 기구가 OFF 상태에 있는지 확인하기 위하여 구동 스위치를 눌렀다가 놓아보십시오.



가드에 대한 중요 정보

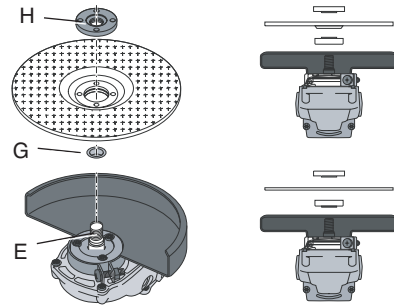
가드는 모든 그라인딩 휠, 샌딩 플랫 디스크, 와이어 브러시 그리고 와이어 휠과 함께 사용되어야 합니다. 보편적인 샌딩 디스크를 사용하여 샌딩 작업을 할 때에만 가드없이 사용할 수도 있습니다.



▲ 주의: 가드와 함께 그라인딩 휠을 사용할 때, 그라인딩 휠의 바닥면이 가드 가장자리 안쪽에 있는지를 확인하십시오.

중심축없는 휠의 고정

중앙부위가 들어간 그라인딩 휠은 적절한 보조 플랜지와 함께 사용되어야 합니다. 더 많은 정보를 얻으려면, 이 사용 설명서 5페이지의 차트를 보십시오.



1. 금속으로된 받침 플랜지(G)를 마운트를 향하는 방향으로 축(E)위에 설치하십시오.
2. 휠을 받침 플랜지 조정부의 가운데에 맞춰서, 받침 플랜지를 향하는 방향으로 올려 두십시오.
3. 축 잠금 버튼을 누르는 동안, 그라인딩 휠 가운데 안쪽의 조임 너트 위로 중심축이 올려지도록 맞추면서, 조임 너트를 축 위로 밀어 넣으십시오.
4. 렌치로 조임 너트를 단단히 고정하십시오.
5. 휠을 제거할 때는 위의 과정을 역으로 실행하십시오.

그라인딩 휠을 이용한 표면 그라인딩 작업

1. 작업 표면에 전동기구를 접촉시키기 전에 기구를 최대 속도로 한번 올려주십시오.
2. 작업 표면에 최소 압력을 가하여, 전동기구가 고속으로 작동할 수 있게 하십시오.
3. 전동기구와 작업 표면 사이에는 20°C 에서 20°C 의 각도를 유지하십시오.
4. 작업 표면에 파진 부분이 생기지 않도록, 전동기구를 앞뒤로 계속적으로 움직여 주십시오.
5. 전동기구를 끄기 전에 작업 표면에서 기구를 제거하십시오. 기구를 바닥에 다시 내려놓기 전에 회전이 멈추도록 기다리십시오.

그라인딩 휠을 이용한 모서리 그라인딩 작업

▲ 주의: 절단 작업이나 깊은 그라인딩 작업에 전동기구를 사용할 때, 절단 모서리 그라인딩에 사용되는 휠이 구부러지거나 뒤틀리게 되면, 휠이 깨어질 수도 있습니다. 이로 인해 야기되는 심각한 상해의 위험을 감소시키기 위해서는 표준 가드를 장착하여 사용하고 얇은 절단 및 노칭작업 (1/2" 미만의 깊이) 정도로 이러한 휠의 사용을 제한하십시오. 가드의 열려진 쪽은 작업자로부터 떨어진 방향으로 놓여져야만 합니다. 휠을 이용하여 보다 깊은 절단 작업을 할 때에는 닫힌 가드를 사용하십시오. 가드는 지역판매상이나 공인 서비스센터를 통해, 추가적인 비용을 들여 구할 수 있습니다.

1. 작업 표면에 전동기구를 접촉시키기 전에, 기구를 최대 속도로 한번 올려주십시오.
2. 작업 표면에 최소 압력을 가하여, 전동기구가 고속으로 작동할 수 있게 하십시오.
3. 모서리 손질을 하는 동안, 가드의 열린 쪽이 자신과 떨어진 쪽으로 향하게 하여 스스로를 보호하십시오.
4. 작업 표면에 파진 부분이 생기지 않도록, 전동기구를 앞뒤로 계속적으로 움직여 주십시오.
5. 전동기구를 끄기 전에 작업 표면에서 기구를 제거하십시오. 기구를 바닥에 다시 내려놓기 전에 회전이 멈추도록 기다리십시오.

▲ 경고: 모서리 그라인딩용 휠을 표면 그라인딩 작업에 사용하지 마십시오. 모서리 그라인딩 휠은 표면 그라인딩 작업시 발생하는 측면 압력을 고려하여 설계된 것이 아니기 때문입니다. 휠 파열이 생기고 부상을 입을 수 있습니다.

샌딩 플랫 디스크를 이용한 표면 손질

1. 작업 표면에 전동기구를 접촉시키기 전에, 기구를 최대 스피드로 한 번 돌려주십시오.
2. 작업 표면에 최소 압력을 가하여, 전동기구가 고속으로 작동할 수 있게 하십시오.
3. 전동기구와 작업 표면 사이에는 5°C에서 10°C의 각도를 유지하십시오.
4. 작업 표면에 파진 부분이 생기지 않도록, 전동기구를 앞뒤로 계속적으로 움직여 주십시오.
5. 전동기구를 끄기 전에 작업 표면에서 기구를 제거하십시오. 기구를 바닥에 다시 내려놓기 전에 회전이 멈추도록 기다리십시오.

컷팅 휠의 고정 및 사용

컷팅 휠은 다이아몬드 휠과 연마용 디스크를 포함합니다. 연마용 컷팅 휠은 금속이나 콘크리트 컷팅 작업시 유용합니다. 콘크리트 컷팅에는 다이아몬드 날도 마찬가지로 사용될 수 있습니다.

▲ 경고: 이 전동기구에 달린 컷팅 휠 가드는 포함되어 있지 않습니다. 컷팅 휠은 적절한 플랜지와 가드를 필요로 합니다. 180mm 컷팅 가드가 부품으로 사용될 수 있고, 이에 맞는 적절한 플랜지도 포함됩니다. 알맞은 플랜지와 가드를 사용하지 않을 경우, 휠 파열과 휠 접촉에 따른 부상을 입을 수 있습니다.

달린 가드 고정

부품의 조정, 제거 또는 설치를 하기 전에 전동기구의 전원을 끄고 플러그를 뽑으십시오. 전동기구를 다시 연결하기 전에, 기구가 off상태에 있는지 확인하기 위하여 구동 스위치를 눌렀다가 놓아보십시오.

1. 기어 케이스 덮개 위에 있는 틸들과 돌기들을 맞추십시오. 보시는 바와 같이 가드가 뒤쪽을 바라보도록 위치시키십시오.
2. 가드 돌기가 물려서 기어 케이스 중심축의 홈 안에서 자유롭게 순환할 수 있도록 가드를 아래로 밀어넣으십시오.
3. 원하는 작업 위치로 가드를 돌리십시오. 작업자를 최대한 보호할 수 있도록, 가드 본체는 전동기구의 축과 작업자 사이에 위치시켜야 합니다.
4. 기어 케이스 덮개 위의 가드를 안정적으로 고정시키십시오. 래치가 닫힘 위치에 놓여져 있을 경우, 가드를 손으로 돌릴 수 없을 정도여야 합니다. 가드가 느슨한 상태이거나 꺾쇠 레버가 열림 위치에 놓여 있는 상태에서 그라인더를 작동시키지 마십시오.

참조: 공장에서 제품 출시시, 기어 케이스 중심축의 직경에 맞게 가드는 미리 조정되어져 있습니다. 일정 시간이 지난 후, 만약 가드가 점점 느슨해진다면, 조정나사를 돌려 조이십시오.

컷팅 휠 고정

1. 마운트를 제거하십시오.
2. 축의 평면에 받침 플랜지의 평면을 정렬시킨 상태에서 휠 받침 플랜지를 설치하십시오.
3. 휠을 받침 플랜지 조정부 중심에 맞추면서, 휠을 받침 플랜지 위에 올려두십시오.
4. 휠이 받침 플랜지 중심에 남아 있게 고정시킬 수 있도록 꺾쇠 너트를 설치하십시오.
5. 축 잠금 버튼을 누르고 렌치로 꺾쇠 너트를 조이십시오.
6. 휠을 제거할 때는 위의 과정을 역으로 실행하십시오.

컷팅 휠 사용

1. 작업 표면에 전동기구를 접촉시키기 전에, 기구를 최대 스피드로 한 번 돌려주십시오.
2. 작업 표면에 최소 압력을 가하여, 전동기구가 고속으로 작동할 수 있게 하십시오.

3. 한번 절단 작업을 시작했으면, 작업 표면에 커팅 휠의 각도를 유지하십시오. 이렇게 하는 것이 휠이 파열되거나 부상 발생의 원인이 되기도 하는 휠의 휨 현상을 막아줄 것입니다.
4. 전동기구를 끄기 전에 작업 표면에서 기구를 제거하십시오. 기구를 바닥에 다시 내려놓기 전에 회전이 멈추도록 기다리십시오.

정비 클리닝

깨끗하고 건조한 압축공기를 이용하여, 모터의 틀에서 먼지와 가루들을 털어내는 것은 규칙적으로 행해져야 할 정비과정입니다.

금속 입자를 포함한 먼지나 가루들은 종종 내부나 표면에 쌓일 수 있고, 자주 청소해주지 않으면, 전기적 충격의 위험이 발생할 수 있습니다. 항상 안전용 안경을 착용하십시오.

▲ 주의: 전동기구의 비금속 파트를 클리닝함에 있어서, 결코 솔벤트나 다른 거친 화학약품을 사용하지 마십시오. 깨끗하고 마른 헝겊만을 사용하십시오.

운행 클리닝

DeWALT의 전동기구들은 공장에서 충분히 운행된 상태로 출시되어, 바로 사용할 수 있습니다.

수리

제품의 안전성과 신뢰성을 보장하기 위해서는, 수리, 정비 및 조정은 공인 서비스 센터를 통하거나 다른 유자격 서비스공을 통해서 행해져야 합니다. 항상 동일한 대체부품들을 사용하십시오.

모터 브러시

브러시가 닳았을 경우, 모터에 손상이 가지 않도록, 전동기구는 자동으로

멈출 것입니다. 브러시 교체는 DeWALT 공인 서비스 센터를 통하거나 다른 유자격 서비스공을 통해 행해져야 합니다. 모터 브러시를 교체할 때, 유자격 서비스공은 다음 절차를 따라야 합니다.

부품의 조정, 제거 또는 설치를 하기 전에 전동기구의 전원을 끄고 플러그를 뽑으십시오. 전동기구를 다시 연결하기 전에, 기구가 OFF상태에 있는지 확인하기 위하여 구동 스위치를 눌렀다가 놓아보십시오.

1. 모터의 틀 측면에 위치한 브러시 도어들을 제거하십시오.
2. 브러시를 제거하기 위해서는, 브러시 인도선에 부착된 음극을 쥐고, 양극으로부터 음극을 떼어내시기 바랍니다.
3. 브러시 홀더로부터 브러시를 위로 뽑아 내십시오.
4. DeWALT 공인 서비스 센터에서 구할 수 있는 진품 DEWALT 브러시로, 브러시 한 쌍을 교체하십시오.
5. 브러시 박스 안에서 브러시가 자유롭게 미끄러지는지를 확인하십시오.
6. 브러시 인도선을 브러시 박스 극면에 다시 연결하십시오.
7. 전동기구를 사용하기 전에 브러시 도어들을 재설치하십시오. 토크 나사는 최대 10 in-lbs여야 합니다. 지나치게 조이면 나사가 닳아버릴 수 있습니다.

부품 구매

전동기구 사용에 맞는 권장 부품들은 지역판매상이나 공인 서비스 센터를 통해 추가적인 비용을 지불하고 구매할 수 있습니다.

▲ 주의: 본 전동기구 사용에 권장되지 않는 다른 부품들을 이용할 경우 위험할 수 있습니다.

กรณากำกับคู่มือเล่มนี้ไว้

⚠ คำเตือน! อ่านและทำความเข้าใจข้อแนะนำการใช้งานทุกข้อ การไม่ปฏิบัติตามขั้นตอนการใช้งานที่อยู่ด้านล่างนี้ อาจก่อให้เกิดไฟฟ้าช็อต ไฟไหม้ และ/หรือบาดเจ็บอย่างรุนแรงได้

		D28490	D28491	D28490-B1	D28491-B1
แรงดันไฟฟ้า	โวลต์	220V	220V	220-240V	220-240V
กำลังไฟเข้า	วัตต์	2000W	2000W	2000W	2000W
ความเร็วขดไม่มีโหลด	ต่อนาที	6500	8500	6500	8500
เส้นผ่าศูนย์กลางจานขด	ม.ม.	230	180	230	180
แกนหมุน		M14	M14	M14	M14
น้ำหนักสุทธิ	ก.ก.	4.6	4.6	4.6	4.6

ข้อปฏิบัติด้านความปลอดภัยทั่วไป

พื้นที่ทำงาน

- รักษาพื้นที่ทำงานให้สะอาดและมีแสงสว่างเพียงพอ โต๊ะทำงานที่ระเกะระกะและพื้นที่ที่มีดอาจก่อให้เกิดอุบัติเหตุได้
- ห้ามใช้เครื่องมือไฟฟ้าในพื้นที่ที่มีโอกาสระเบิด เช่น มีของเหลวที่ติดไฟ แก๊ส หรือผงวัสดุที่ติดไฟได้ เครื่องมือไฟฟ้าจะก่อให้เกิดประกายไฟซึ่งอาจทำให้ฝุ่นละอองหรือสารเคมีติดไฟได้
- ระมัดระวังผู้ที่อยู่ข้างเคียง เด็ก และ ผู้ที่เยี่ยมชมขณะที่กำลังใช้งานเครื่องมือไฟฟ้า การสูญเสียสมารถอาจทำให้สูญเสียการควบคุมได้

ความปลอดภัยทางไฟฟ้า

- เครื่องมือที่มีสายดินต้องเสียบปลั๊กกับเต้ารับที่ติดตั้งและมีการต่อสายดินให้ถูกต้องตรงกับขนาด และกฎหมายกำหนด ห้ามถอดหรือตัดแปลงขากราวต์หรือปลั๊กของอุปกรณ์โดยเด็ดขาด

ห้ามใช้อะแดปเตอร์ปลั๊กไฟใดๆ ทั้งสิ้น ถ้าท่านไม่แน่ใจว่าเต้ารับได้ติดตั้งสายดินเรียบร้อยแล้วหรือไม่ โปรดตรวจสอบกับช่างไฟฟ้า ถ้าเครื่องมือมีปัญหาทางด้านไฟฟ้า หรือมีไฟฟ้าช็อต ระบบสายดินที่มีความต้านทานต่ำจะทำให้หน้าที่ผ่านกระแสไฟฟ้าจากผู้ใช้งานสู่พื้น **ใช้ได้เฉพาะเครื่องมือที่มีสายดินแบบ Class I เท่านั้น**

- เครื่องมือนี้หุ้มฉนวนสองชั้นพร้อมปลั๊กชนิดระบุขั้ว (ขาข้างหนึ่งจะกว้างกว่าอีกข้าง) ปลั๊กชนิดนี้จะเสียบเข้ากับเต้ารับแบบระบุขั้วได้เพียงด้านเดียว ถ้าไม่สามารถเสียบปลั๊กเข้าเต้ารับได้ ให้กลับด้านปลั๊ก ถ้ายังไม่สามารถเสียบได้ ให้ติดต่อช่างไฟฟ้าเพื่อติดตั้งเต้ารับชนิดระบุขั้ว ห้ามเปลี่ยนตัวปลั๊กไฟอย่างเด็ดขาด ฉนวนสองชั้นช่วยให้ไม่จำเป็นต้องใช้สายไฟแบบมีสายดินและระบบจ่ายไฟที่มีระบบสายดิน **ใช้ได้เฉพาะเครื่องมือที่หุ้มฉนวนสองชั้นแบบ Class II เท่านั้น**
- หลีกเลี่ยงไม่ให้ร่างกายสัมผัสกับพื้นผิวที่ถูกต้องลงดิน เช่น ท่อเครื่องนำความร้อน เตา และตู้เย็น ถ้าร่างกายของท่านสัมผัสโดยตรงกับพื้นดินจะมีความเสี่ยงต่อไฟฟ้าช็อตเพิ่มมากขึ้น
- อย่าให้เครื่องมือไฟฟ้าถูกฝนหรืออยู่ในสภาพที่มีความชื้น น้ำที่เข้าไปในเครื่องมือไฟฟ้าจะเพิ่มความเสี่ยงต่อการเกิดไฟฟ้าช็อตได้
- ห้ามใช้งานสายไฟของเครื่องมืออย่างผิดวิธี ห้ามใช้สายไฟของเครื่องมือ ในการหิ้วเครื่องมือหรือดึงปลั๊กเครื่องมือไฟฟ้าออกจากเต้ารับ เก็บสายไฟให้ห่างจากความร้อน น้ำมัน วัตถุมีคม หรือชิ้นส่วนที่เคลื่อนไหว เปลี่ยนสายไฟที่เสียหายทันที สายไฟที่เสียหายจะมีความเสี่ยงต่อไฟฟ้าช็อตเพิ่มมากขึ้น

ความปลอดภัยส่วนบุคคล

- มีความตื่นตัวและมีสติในสิ่งที่ทำรวมทั้งใช้วิจารณญาณขณะที่กำลังใช้งานเครื่องมือไฟฟ้า ห้ามใช้เครื่องมือขณะที่ร่างกายอ่อนล้าหรือได้รับผลกระทบจากสารเสพติด แอลกอฮอล์ หรืออยู่ในระหว่างการรักษาด้วยยาต่างๆ ความพลั้งเผลอไม่ระมัดระวังตัว แม้เพียงชั่วครู่ขณะที่กำลังใช้งานเครื่องมือไฟฟ้าอยู่อาจก่อให้เกิดการบาดเจ็บอย่างรุนแรงได้

- แต่งกายให้เหมาะสม อย่าสวมเสื้อผ้าที่หลวมหรือสวมใส่เครื่องประดับ จัดเก็บผมที่ยาวให้เรียบร้อย ระวังไม่ให้ผม เสื้อผ้า หรือถุงมือ เข้าใกล้ชิ้นส่วนที่เคลื่อนไหว เสื้อผ้าที่หลวม เครื่องประดับ หรือผมที่ยาว อาจจะถูกเกี่ยวเข้าไปในชิ้นส่วนที่เคลื่อนไหวได้ ชิ้นส่วนที่เคลื่อนไหวได้มักจะก่อให้เกิดลมดูดเสมอ ดังนั้นจึงควรหลีกเลี่ยง
- หลีกเลี่ยงการเปิดเครื่องมือโดยไม่ได้ตั้งใจ ก่อนเสียบปลั๊กต้องตรวจสอบให้แน่ใจว่าสวิตช์ถูกปิดอยู่ การยกเครื่องมือโดยที่นิ้วมืออยู่ในบริเวณสวิตช์เปิดปิด หรือเสียบปลั๊กเครื่องมือขณะที่สวิตช์เปิดอยู่ อาจก่อให้เกิดอุบัติเหตุได้
- ถอดกุญแจหรือปรับตั้งออกก่อนที่จะเปิดเครื่องมือให้ทำงาน ประแจหรือกุญแจปรับตั้งที่ยังค้างอยู่บริเวณชิ้นส่วนที่กำลังหมุนอยู่ของเครื่องมือ อาจก่อให้เกิดการบาดเจ็บส่วนบุคคลได้
- อย่าใช้งานโดยการเลื่อม ขณะใช้งานเครื่องมือ ควรยืนให้มั่นคงและมีความสมดุลอยู่ตลอดเวลา เมื่อเกิดเหตุการณ์ไม่คาดฝัน การยืนที่มั่นคงและสมดุลจะช่วยให้คุณควบคุมเครื่องมือได้ดีกว่า
- ใช้อุปกรณ์ป้องกันอันตราย สวมอุปกรณ์ป้องกันดวงตาเสมอ จะต้องใช้หน้ากากป้องกันฝุ่น รองเท้านิรภัยกันลื่น หมวกนิรภัย หรืออุปกรณ์ป้องกันเสียง ให้ถูกต้องเหมาะสมกับสภาพการทำงานเสมอ

การใช้และการดูแลรักษาเครื่องมือ

- ใช้ปากกาจับชิ้นงาน หรือใช้วิธีที่เหมาะสมปลอดภัย เพื่อจับยึดชิ้นงานให้อยู่ในตำแหน่งที่มั่นคง การจับชิ้นงานด้วยมือหรือใช้ร่างกาย ยึดชิ้นงานนั้นไม่มั่นคงและอาจก่อให้เกิดสูญเสียการควบคุมได้
- อย่าใช้แรงฝืนเครื่องมือ ใช้เครื่องมือให้เหมาะสมกับการใช้งาน เครื่องมือที่เหมาะสมจะทำงานได้ดีกว่าและปลอดภัยกว่าเมื่อใช้งานตามพิกัดที่ได้ถูกออกแบบมา
- ห้ามใช้เครื่องมือนี้ ถ้าหากไม่สามารถเปิดหรือปิดสวิตช์ได้ เครื่องมือใดๆ ก็ตามที่ไม่สามารถควบคุมด้วยสวิตช์ได้ อาจก่อให้เกิดอันตราย ควรได้รับการซ่อมแซมโดยด่วน
- ถอดปลั๊กของเครื่องมือออกก่อนที่จะทำการปรับตั้ง เปลี่ยนอุปกรณ์เสริม หรือจัดเก็บเครื่องมือ มาตรการป้องกันดังกล่าวช่วยลดความเสี่ยงที่เครื่องมือจะเริ่มทำงานโดยไม่ได้ตั้งใจ

- เก็บรักษาและดูแลเครื่องมืออย่างดี เก็บรักษาเครื่องมือสำหรับตัดให้คมและสะอาดอยู่เสมอ การดูแลเครื่องมือสำหรับตัดที่มีคมตัดอย่างเหมาะสมจะช่วยให้เครื่องมือไม่ติดขัดและง่ายต่อการควบคุม
- ตรวจสอบชิ้นส่วนที่เคลื่อนที่ได้ซึ่งบิดเบี้ยวหรือติดขัด ชิ้นส่วนที่ชำรุด หรืออยู่ในสภาพใดๆ ก็ตาม ที่อาจจะมีผลต่อการใช้งานของเครื่องมือ ถ้าเสียหาย จะต้องแก้ไขเครื่องมือให้เรียบร้อยก่อนใช้งาน อุบัติเหตุส่วนใหญ่เกิดจากการไม่บำรุงรักษาเครื่องมือให้อยู่ในสภาพดี
- ใช้อุปกรณ์เสริมเฉพาะที่ได้รับการรับรองจากผู้ผลิตให้ใช้กับรุ่นของท่านเท่านั้น อุปกรณ์เสริมที่อาจจะเหมาะสมกับเครื่องมือชิ้นหนึ่ง แต่อาจก่อให้เกิดความเสียหายเมื่อใช้กับเครื่องมืออื่นๆ ได้

การบริการ

- การแก้ไขเครื่องมือจะต้องทำโดยช่างที่เชี่ยวชาญเท่านั้น การแก้ไขหรือดูแลบำรุงรักษาโดยบุคคลที่ไม่ชำนาญ อาจก่อให้เกิดความเสี่ยงต่อการบาดเจ็บได้
- ขณะที่ทำการแก้ไขเครื่องมือ ใช้เฉพาะอะไหล่ที่ตรงกันในการเปลี่ยนเท่านั้น โปรดปฏิบัติตามขั้นตอนต่างๆ ที่ระบุในหัวข้อการบำรุงรักษาของคู่มือเล่มนี้ การใช้ชิ้นส่วนที่ไม่ได้รับอนุญาตให้ใช้ หรือการไม่ปฏิบัติตามขั้นตอนการบำรุงรักษา อาจทำให้เกิดไฟฟ้าช็อต หรือได้รับบาดเจ็บได้

ข้อแนะนำเพิ่มเติมด้านความปลอดภัยสำหรับเครื่องเจีย

- ให้ใช้งานตัวป้องกันจานเจียเสมอ ตัวป้องกันจะทำหน้าที่ป้องกันผู้ใช้งานจากการกระเด็นของจานเจียที่แตกหัก และการสัมผัสถูกตัวจานเจีย
- อุปกรณ์เสริมต่างๆ จะต้องรองรับอัตราเร็วอย่างน้อยที่สุดตามคำแนะนำบนป้ายเดือนของเครื่องมือ จานเจียและอุปกรณ์เสริมที่หมุนด้วยอัตราเร็วที่เกินกำหนดอาจหลุดและก่อให้เกิดการบาดเจ็บได้ โปรดดูรายละเอียดจากตารางด้านล่าง พิกัดของอุปกรณ์เสริมจะต้องสูงกว่าความเร็วขณะที่ไม่มีโหลด เพราะความเร็วที่แท้จริงของเครื่องมืออาจปรับเปลี่ยนได้หลากหลาย

หมายเหตุ: พิกัดความเร็วของเครื่องมือขณะที่ไม่มีโหลดถูกพิมพ์ไว้บนป้ายชื่อและพิมพ์เป็นตัวเลขอยู่บนกล่องเกียร์

- **ถือเครื่องมือโดยการจับที่มีฉนวนไว้ขณะใช้งานซึ่งเครื่องมือตัดอาจจะถูกสายไฟภายในหรือสายไฟของตนเอง** การสัมผัสกับสายไฟที่มีกระแสไฟไหลอยู่อาจจะทำให้มีไฟฟ้าไหลผ่านขึ้นส่วนที่เป็นโลหะของเครื่องมือและช็อตผู้ใช้งานได้
 - **ก่อนการใช้งาน ให้ตรวจสอบการแตกหักหรือรอยตำหนิใดๆ บนอุปกรณ์เสริมที่ใช้** ถ้ามีรอยแตกหักหรือรอยตำหนิปรากฏอยู่ ให้เลิกใช้อุปกรณ์เสริมนั้น อุปกรณ์เสริมจะต้องถูกตรวจสอบเมื่อใดก็ตามที่ท่านคิดว่าเครื่องมืออาจจะมีอาการตกหล่น
 - **เมื่อเริ่มใช้งานเครื่องมือนี้โดยใช้งานเจียใหม่หรือติดตั้งแปรงลวดใหม่ ถือเครื่องมือไว้ในพื้นที่ที่มีการป้องกันอย่างดี และปล่อยให้ทำงานเป็นเวลาหนึ่งนาที** ถ้าตัวงานเจียมีอาการแตกหักหรือร้าวซึ่งไม่สามารถมองเห็นได้อยู่ ก็อาจจะมีอาการแตกออกภายในหนึ่งนาที ถ้าลวดในตัวแปรงลวดหลุดออกมา จะสามารถเห็นได้ในขณะนี้ อย่าเริ่มทำงานเครื่องมือในขณะที่มีบุคคลอื่นอยู่ในทิศทางของตัวงานเจีย ซึ่งรวมถึงตัวผู้ใช้เองด้วย
 - **ในขณะที่ใช้งาน หลีกเลี่ยงการทำให้งานเจียกระดอนหรือใช้งานงานเจียอย่างรุนแรง** หากเหตุการณ์ดังกล่าวเกิดขึ้น ให้หยุดเครื่องและตรวจสอบงานเจีย
 - **หลีกเลี่ยงประกายไฟไม่ให้เข้าหาตัวผู้ใช้ ผู้ที่อยู่ข้างเคียง หรือวัตถุที่ติดไฟได้** ประกายไฟอาจจะเกิดขึ้นในขณะที่ตัดหรือเจียอยู่ ซึ่งประกายไฟอาจก่อให้เกิดไฟลุกไหม้ได้
 - **ใช้มือจับด้านข้างเสมอ ขึ้นมือจับให้แน่น** ควรใช้มือจับด้านข้างนี้ในการควบคุมการทำงานของเครื่องมือตลอดเวลา
- ⚠ ข้อควรระวัง:** ใช้ความระมัดระวังเป็นพิเศษขณะทำงานอยู่ในบริเวณที่เป็นมุมแคบเพราะจะเกิดการเคลื่อนไหวของเครื่องเจียอย่างรวดเร็วและรุนแรง ซึ่งอาจจะเกิดขึ้นได้เมื่อตัวงานเจียไปสัมผัสเข้ากับผิวอีกด้าน
- **ทำความสะอาดเครื่องมืออย่างบ่อยๆ โดยเฉพาะภายหลังจากการใช้งานหนัก** ฝุ่นและเศษโลหะต่างๆ มักจะสะสมอยู่ภายในตัวเครื่อง และอาจจะเกิดอันตรายเนื่องจากไฟฟ้าช็อตได้

⚠ ข้อควรระวัง: **สวมอุปกรณ์ป้องกันเสียงที่เหมาะสมในขณะที่ใช้งาน** ในสภาพการใช้งานบางอย่างหรือหลังจากการใช้งานที่ยาวนาน เสียงดังที่ออกมาจากเครื่องมืออาจก่อให้เกิดการสูญเสียการได้ยินได้

⚠ คำเตือน: การขีด การเลื่อย การเจีย การเจาะ และงานก่อสร้างอื่นๆ อาจก่อให้เกิดฝุ่นที่มีสารก่อมะเร็ง การคลออดที่ผิดปกติ หรืออันตรายต่อระบบสืบพันธุ์อื่นๆ ได้ ตัวอย่างของสารเคมีเหล่านี้ได้แก่:

- ตะกั่วจากสีที่มีตะกั่วเป็นส่วนผสม
- ฝุ่นซิลิกาจากอิฐและซีเมนต์รวมทั้งวัสดุก่อสร้างอื่นๆ และ
- สารหนูและโครเมียมจากไม้อบสารเคมี (CCA)

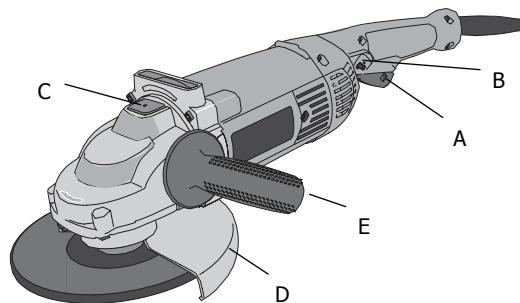
ความเสี่ยงที่อาจจะเกิดจากสารเคมีเหล่านี้จะขึ้นอยู่กับความถี่ที่ท่านทำงานประเภทนั้นๆ เพื่อลดความเสี่ยงในการรับสารเคมีเหล่านี้: ให้ทำงานในพื้นที่ที่มีอากาศถ่ายเทได้สะดวก และใช้เครื่องมือชนิดที่ผ่านการอนุญาตแล้ว เช่น หน้ากากป้องกันฝุ่นที่ได้ออกแบบมาเป็นพิเศษสำหรับกรองอนุภาคที่มองด้วยตาเปล่าไม่เห็นออก

- **หลีกเลี่ยงการสัมผัสกับฝุ่นผงที่เกิดจากการขีด การเลื่อย การเจีย การเจาะ และงานก่อสร้างอื่นๆ เป็นเวลานานๆ สวมใส่ชุดป้องกันและล้างส่วนที่โดนสารเคมีออกด้วยน้ำและสบู่** การปล่อยให้ฝุ่นเข้าไปในปาก ตา หรือตกค้างบนผิวหนัง อาจจะเป็นการเพิ่มโอกาสในการดูดซึมสารเคมีที่เป็นอันตรายเข้าสู่ร่างกายมากกว่าปกติได้
- **ป้ายบนเครื่องมือของท่านอาจจะมีสัญลักษณ์ต่างๆ ดังต่อไปนี้**

V	โวลต์	A	แอมแปร์
Hz	เฮิรตซ์	W	วัตต์
min	นาที	⊖	ไฟกระแอสลับ
.....	ไฟกระแสดตรง	n ₀	ความเร็วขณะไม่มีโหลด
<input type="checkbox"/>มาตรฐานความปลอดภัยระดับ 2	.../min..	รอบ หรือการขึ้นลงต่อนาที
<input type="checkbox"/>ชัတ်ต่อสายดิน		
- **⚠.....สัญลักษณ์เตือนด้านความปลอดภัย**

การทำความปลอดภัยกับเครื่องมือ

เครื่องเจียเข้ามุมและเครื่องขัดกระดาษทรายเข้ามุมขนาดใหญ่ได้รับการออกแบบมาเพื่อประยุกต์ใช้งานในการกำจัดเนื้อวัสดุออก เครื่องเจียและเครื่องขัดกระดาษทรายต่อไปนี้จะอธิบายในคู่มือฉบับนี้



ส่วนประกอบ

- A. สวิตช์ไกดับ
- B. ปุ่มล็อก
- C. ตัวล็อกแกนหมุน
- D. ตัวป้องกัน
- E. มือจับด้านข้าง

คุณสมบัติ

สวิตช์

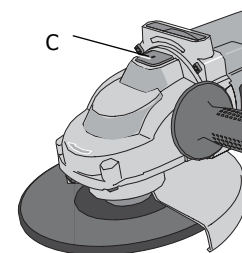
สามารถควบคุมเครื่องมือนี้ได้โดยสวิตช์แบบไกดับ (A) ปุ่มล็อก (B) ช่วยเพิ่มความเสถียรสบายในการใช้งานเป็นเวลานาน

มือจับข้างแบบหลายตำแหน่ง

ตำแหน่งของมือจับข้างสามารถติดตั้งได้ทั้งสองข้างขึ้นอยู่กับความถนัดส่วนตัวของผู้ใช้งานและการประยุกต์การใช้งาน จะต้องจับมือจับด้านข้างตลอดเวลาที่ใช้งานเพื่อให้สามารถควบคุมเครื่องมือได้อย่างเหมาะสม

ตัวล็อกแกนหมุน

สลักล็อกแกนหมุนใช้สำหรับการป้องกันไม่ให้แกนหมุนเกิดการหมุนเมื่อทำการติดตั้งหรือถอดจานเจียออก ปิดเครื่อง และถอดปลั๊กจากแหล่งจ่ายไฟก่อนที่จะใช้งานสลักล็อกแกนหมุนทุกครั้ง ถ้าต้องการจะล็อกให้กดปุ่มล็อกแกนหมุน (C) แล้วหมุนแกนหมุนจนกระทั่งไม่สามารถหมุนได้อีกต่อไป



หมายเหตุ: ห้ามกดปุ่มล็อกแกนหมุนขณะที่เครื่องเจียยังคงทำงานอยู่โดยเด็ดขาด ขณะที่กดปุ่มล็อกแกนหมุนอยู่นั้น ห้ามเปิดให้เครื่องเจียทำงานโดยเด็ดขาด มิฉะนั้น เครื่องมือของท่านอาจเสียหายได้

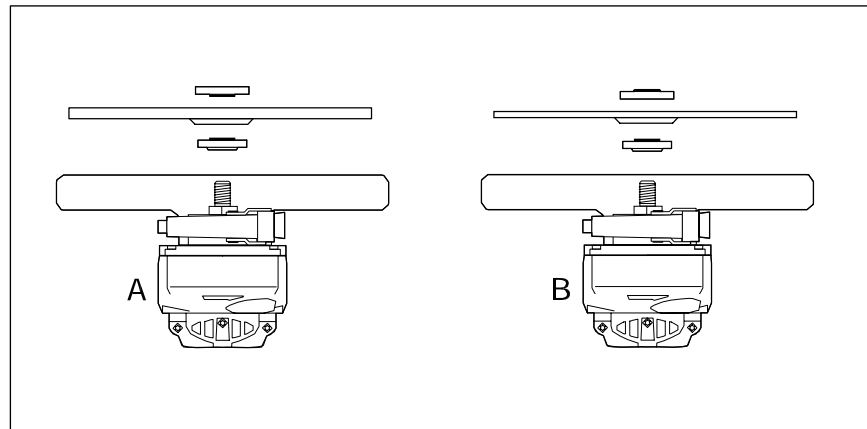
ตัวยึด

เครื่องเจียจะมาพร้อมกับตัวยึด เพื่อช่วยให้ติดตั้งและถอดจานเจียออกได้ง่าย

อุปกรณ์เสริมและอุปกรณ์ที่ใช้ติดตั้ง

การเลือกตัวป้องกัน แผ่นรองด้านหลัง และหน้าแปลนเพื่อใช้กับอุปกรณ์เสริมของเครื่องเจียที่ถูกต้องเป็นสิ่งสำคัญมาก โปรดดูแผนผังข้อมูลในการเลือกอุปกรณ์เสริมที่ถูกต้องได้ในหน้า 5

⚠ ข้อควรระวัง: อุปกรณ์เสริมต่างๆ จะต้องรองรับอัตราเร็วอย่างน้อยที่สุดตามคำแนะนำ บนป้ายเตือนของเครื่องมือ งานเจียและอุปกรณ์เสริมที่หมุนด้วยอัตราเร็วที่เกินกำหนดอาจกระเด็นหลุดจากเครื่องมือและก่อให้เกิดการบาดเจ็บได้



หมายเหตุ: ขนาดของงานเจียจะต้องสอดคล้องกับขนาดของตัวป้องกัน เช่น งานเจียใหม่ขนาด 7" อาจจะใช้กับตัวป้องกันขนาด 9" ไม่ได้ ผิวด้านล้างของงานเจียจะต้องอยู่ด้านใน ส่วนโค้งของปีกของตัวป้องกัน

การประกอบและการปรับตั้ง

การติดตั้งมือจับด้านข้าง

ในการติดตั้งมือจับด้านข้าง ให้ใส่มือจับข้างเข้าไปในตำแหน่งมือจับด้านหนึ่งด้านใด แล้วขันให้แน่นโดยหมุนตามเข็มนาฬิกา

การใช้งาน

แหล่งจ่ายไฟ

เสียบปลั๊กเครื่องเจียเข้ามุมเข้าไปในวงจรจ่ายไฟที่แยกต่างหาก ประสิทธิภาพของเครื่องมือจะลดลงถ้ามีการใช้งานเครื่องมือนี้บนวงจรจ่ายไฟร่วมกับเครื่องมืออื่นๆ

สวิตช์

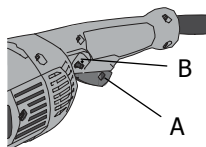
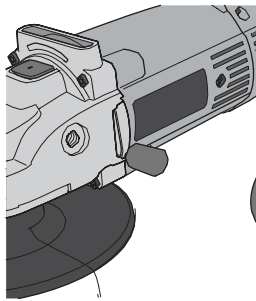
⚠ ข้อควรระวัง: ก่อนที่จะต่อเครื่องมือเข้ากับแหล่งจ่ายไฟหรือหลังจากไฟดับ ให้กดแล้วปล่อยสวิตช์ไคป็น (A) หนึ่งครั้งโดยไม่ต้องกดปุ่มล็อก (B) เพื่อให้แน่ใจว่าสวิตช์อยู่ในตำแหน่งปิด หากสวิตช์ไคป็นถูกล็อกอยู่ เมื่อมีกำลังไฟกลับเข้ามาที่ยังเครื่องมืออีกครั้ง ตัวเครื่องมืออาจจะเริ่มทำงานโดยไม่ได้ตั้งใจ ให้ถือเครื่องมือที่มือจับทั้งด้านข้างและด้านหลังให้มั่นคงขณะเริ่มใช้งานและระหว่างการใช้งานเพื่อให้ควบคุมเครื่องมือได้เป็นอย่างดี

การใช้งานสวิตช์ไคป็น

ถ้าต้องการให้เครื่องมือเริ่มทำงาน ให้กดสวิตช์ไคป็น (A) เครื่องมือจะทำงานตลอดเวลาที่สวิตช์ไคป็นถูกกดค้างอยู่ การหยุดการทำงานของเครื่องมือสามารถทำได้โดยปล่อยสวิตช์ไคป็น

การใช้งานสวิตช์ไคป็นที่มีระบบล็อก

ถ้าต้องการให้เครื่องมือเริ่มทำงาน ให้กดสวิตช์ไคป็น กดและกดปุ่มล็อก (B) ค้างไว้ขณะที่ปล่อยไคป็น ปุ่มล็อกจะทำให้การกดค้างอยู่ และเครื่องมือจะทำงานไปตลอด



ในการปิดเครื่อง ให้กดแล้วปล่อยสวิตช์ไคป็น ปุ่มล็อกจะติดขึ้นมา ทำให้สวิตช์ไคป็นถูกปลด และทำให้เครื่องมืออยู่ในสถานะปิด

หมายเหตุ: ปล่อยให้เครื่องเจียเดินเครื่องจนถึงความเร็วเต็มที่ก่อนที่จะสัมผัสเครื่องมือเข้ากับผิวชิ้นงาน ยกเครื่องมือขึ้นจากผิวชิ้นงานก่อนที่จะปิดเครื่องมือ

⚠ ข้อควรระวัง: ต้องมั่นใจว่าเครื่องมือหยุดหมุนสนิทดีแล้ว ก่อนที่จะวางเครื่องมือลง

การเอาระบบล็อกออก

ปุ่มล็อกสามารถเอาออกอย่างถาวรได้ โดยไม่ผิดข้อกำหนดจากหน่วยงานกำกับดูแลที่แสดงบนแผ่นป้ายของเครื่องมือ การถอดสลักล็อกออกจะต้องทำโดยศูนย์บริการของ DEWALT เท่านั้น

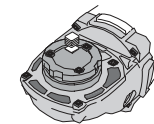
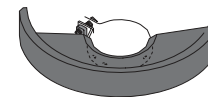
การติดตั้งและการใช้งานเจียและแผ่นจานขัดแบบกดศูนย์กลาง

การติดตั้งและการถอดตัวป้องกัน

ปิดเครื่องและถอดปลั๊กเครื่องมือทุกครั้งก่อนที่จะทำการปรับตั้ง หรือถอด หรือติดตั้งอุปกรณ์เสริมใดๆ ก่อนเสียบปลั๊กเครื่องมืออีกครั้ง ต้องกดแล้วปล่อยสวิตช์ไคป็นเพื่อให้มั่นใจว่าเครื่องมืออยู่ในสถานะปิดจริงๆ

ข้อมูลสำคัญเกี่ยวกับตัวป้องกัน

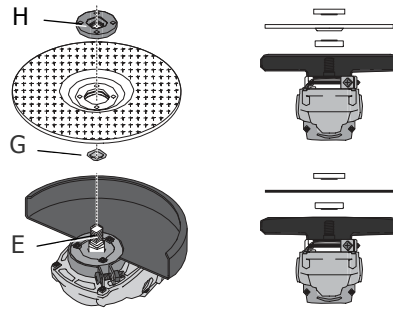
จะต้องใช้ตัวป้องกันร่วมกับจานเจีย แผ่นจานขัด แปรงลวด และจานลวดทุกครั้ง เครื่องมือนี้สามารถใช้งานได้โดยไม่ต้องมีตัวป้องกันเมื่อใช้ขัดร่วมกับจานขัดแบบธรรมดาเท่านั้น



⚠ ข้อควรระวัง: เมื่อมีการใช้งานงานเจียร่วมกับตัวป้องกัน Type 27 จะต้องมั่นใจว่าผิวด้านล่างของงานเจียจะต้องอยู่ด้านในของปีกตัวป้องกัน

การติดตั้งงานแบบไม่มีคม

จะต้องใช้งานเจียแบบกุดศูนย์กลาง กับหน้าแปลนเสริมที่เหมาะสม สำหรับข้อมูลเพิ่มเติมโปรดดูแผนผังที่หน้า 5 ของคู่มือนี้



1. ใส่หน้าแปลนโลหะด้านหลัง (G) บนแกนหมุน (E) เข้ากับตัวยึด
2. วางงานเจียแนบไปกับหน้าแปลนด้านหลัง โดยวางจุดศูนย์กลางงานเจียไว้บนร่องนำของหน้าแปลนด้านหลัง
3. ขณะที่ยังกดปุ่มล็อกแกนหมุนอยู่ ให้ใส่น็อตยึด (H) บนแกนหมุน เล็งให้จุดศูนย์กลางบนน็อตยึดตรงกับศูนย์กลางของงานเจีย
4. ซึ้นน็อตยึดให้แน่นด้วยประแจ
5. ถ้าต้องการถอดงานเจียออก ให้ทำขั้นตอนด้านบนย้อนกลับ

การเจียผิวงานด้วยงานเจีย

1. ปลอยให้เครื่องเจียเดินเครื่องจนถึงความเร็วเต็มที่ก่อนที่จะสัมผัสเครื่องมือกับผิวชิ้นงาน
2. กดเครื่องด้วยแรงเบาๆ ไปที่ผิวของชิ้นงาน ปลอยให้ตัวเครื่องทำงานที่ความเร็วสูง
3. พยายามรักษามุมระหว่างตัวเครื่องกับผิวชิ้นงานประมาณ 20° ถึง 30°
4. เคลื่อนตัวเครื่องมือไปข้างหน้าและเคลื่อนถอยหลังกลับอย่างคงที่เพื่อหลีกเลี่ยงไม่ให้เกิดรอยเซาะบนผิวชิ้นงาน
5. ยกเครื่องมือขึ้นจากผิวชิ้นงานก่อนที่จะปิดเครื่องมือ ปลอยให้เครื่องมือหยุดหมุนก่อนจะวางลง

การเจียขอบด้วยงานเจีย

⚠ ข้อควรระวัง: ถ้างานเจียถูกบิดขณะที่ใช้ในการตัดชิ้นงานหรือเจียลึกลงไปชิ้นงาน อาจทำให้งานที่ใช้สำหรับการตัดหรือเจียขอบนั้นแตกได้ เพื่อลดความเสี่ยงที่จะเกิดการบาดเจ็บอย่างรุนแรง ควรใช้งานงานเจียเหล่านี้พร้อมกับตัวป้องกันชนิดมาตรฐาน ในการตัดและบากดัดอื่นๆ (ลึกไม่เกิน 1/2 นิ้ว) ด้านเปิดของตัวป้องกันจะต้องหันออกจากตัวผู้ใช้ สำหรับการตัดลึกด้วยงานตัดชนิด เลือกลงใช้ตัวป้องกันแบบปิดชนิด 1 ตัวป้องกันแบบ 1 เป็นอุปกรณ์ที่จะต้องซื้อแยกต่างหากจากตัวแทนจำหน่ายหรือศูนย์บริการที่ได้รับการแต่งตั้ง

1. ปลอยให้เครื่องเจียเดินเครื่องจนถึงความเร็วเต็มที่ก่อนที่จะสัมผัสเครื่องมือกับผิวชิ้นงาน
2. กดเบา ๆ ที่ตัวเครื่องให้สัมผัสกับชิ้นงาน ปลอยให้ตัวเครื่องทำงานที่ความเร็วสูง
3. ป้องกันตัวท่านเองระหว่างการเจียขอบ โดยหันด้านเปิดของตัวป้องกันให้พ้นไปจากตัวท่าน
4. เคลื่อนตัวเครื่องมือไปข้างหน้าและเคลื่อนถอยหลังกลับอย่างคงที่เพื่อหลีกเลี่ยงไม่ให้เกิดรอยเซาะบนผิวชิ้นงาน
5. ยกเครื่องมือขึ้นจากผิวชิ้นงานก่อนที่จะปิดเครื่องมือ ปลอยให้เครื่องมือหยุดหมุนก่อนจะวางลง

คำเตือน: ห้ามนำงานเจียขอบไปใช้ในการเจียผิวชิ้นงานเพราะตัวงานประเภทนี้ไม่ได้ถูกออกแบบมารองรับแรงกดทางด้านข้างที่เกิดจากการเจียผิวชิ้นงาน อาจเกิดการแตกหักของงานเจียหรือเกิดการบาดเจ็บได้

การขัดผิวชิ้นงานด้วยแผ่นงานขัด

1. ปล่อยให้เครื่องเจียเดินเครื่องจนถึงความเร็วเต็มที่ก่อนที่จะสัมผัสเครื่องมือกับผิวชิ้นงาน
2. กดเครื่องด้วยแรงเบาๆ ไปที่ผิวของชิ้นงาน ปล่อยให้ตัวเครื่องทำงานที่ความเร็วสูง
3. พยายามรักษามุมระหว่างตัวเครื่องกับผิวชิ้นงานให้อยู่ระหว่าง 5° ถึง 10°
4. เคลื่อนตัวเครื่องมือไปข้างหน้าและเคลื่อนถอยหลังกลับอย่างคงที่เพื่อหลีกเลี่ยงไม่ให้เกิดรอยเขาระบบผิวชิ้นงาน
5. ยกเครื่องมือขึ้นจากผิวชิ้นงานก่อนที่จะปิดเครื่องมือ ปล่อยให้เครื่องมือหยุดหมุนก่อนจะวางลง

การติดตั้งและการใช้จานตัด

จานตัดประกอบด้วยหัวตัดเพชรและงานขัด นอกจากนี้ ยังมีจานตัดแบบขัดถูสำหรับใช้กับโลหะและคอนกรีตให้เลือกใช้ รวมทั้งยังมีจานตัดเพชรสำหรับใช้ตัดคอนกรีตได้ด้วย

คำเตือน: ตัวป้องกันแบบปิดสำหรับจานตัด ไม่ได้รวมอยู่ในชุดเครื่องมือนี้ การใช้งานจานตัดต้องใช้ร่วมกับหน้าแปลนและตัวป้องกันที่เหมาะสม ตัวป้องกัน เป็นอุปกรณ์เสริมที่มีให้เลือกใช้ซึ่งรวมตัวหน้าแปลนที่เข้าชุดกัน การใช้หน้าแปลนและตัวป้องกันที่ไม่เหมาะสมอาจก่อให้เกิดการบาดเจ็บจากการแตกหักหรือสัมผัสถูกตัวจานตัดก็ได้

การติดตั้งตัวป้องกันแบบปิด

ปิดเครื่องและถอดปลั๊กเครื่องมือทุกครั้งก่อนที่จะทำการปรับตั้งหรือถอด หรือติดตั้งอุปกรณ์เสริมใดๆ ก่อนเสียบปลั๊กเครื่องมืออีกครั้ง ต้องกดแล้วปล่อยสวิตช์ไกปืน เพื่อให้มั่นใจว่าเครื่องมืออยู่ในสถานะปิดจริงๆ

1. ตั้งสลักให้ตรงกับร่องบนฝากล่องเกียร์ วางตัวป้องกันไว้ด้านหลัง ดังรูป
2. ดันตัวป้องกันลงจนกระทั่งสลักของตัวป้องกันลงร่องและหมุนได้อย่างอิสระในร่องบนศูนย์กลางของกล่องเกียร์
3. หมุนตัวป้องกันให้ตรงกับตำแหน่งที่ต้องการจะใช้งาน ตัวป้องกันจะต้องอยู่ระหว่างแกนหมุนกับผู้ใช้งาน เพื่อให้สามารถป้องกันผู้ใช้งานอย่างดีที่สุด
4. ยึดตัวป้องกันบนฝาครอบกล่องเกียร์ เมื่อตัวสลักอยู่ในตำแหน่งปิดลง ท่านจะต้องไม่สามารถหมุนตัวป้องกันได้ด้วยมือได้ ห้ามใช้งานเครื่องเจียขณะ ที่ตัวป้องกันหลวมหรือตัวยึดอยู่ในตำแหน่งเปิดอยู่

หมายเหตุ: ตัวป้องกันจะได้รับการปรับตั้งไปที่ศูนย์กลางของกล่องเกียร์ไว้ก่อนแล้วจากโรงงาน ถ้าหลังจากใช้งานไประยะหนึ่ง ตัวป้องกันเกิดการหลวม ให้ขันสกรูสำหรับปรับตั้งให้แน่น

การติดตั้งจานตัด

1. ถอดตัวยึดออก
2. วางตัวหน้าแปลนด้านหลัง เล็งตัวขึ้นบนแกนหมุนกับตัวหมุนบนหน้าแปลนด้านหลัง
3. วางจานตัดบนหน้าแปลนด้านหลัง ให้ศูนย์กลางจานตัดอยู่บนนาร่องของหน้าแปลนด้านหลัง
4. ใส่ขันนอตยึด ตรวจสอบให้แน่ใจว่าจานตัดยังคงอยู่บนศูนย์กลางบนหน้าแปลนด้านหลัง
5. กดปุ่มล็อกแกนหมุน แล้วขันนอตยึดให้แน่นด้วยประแจ
6. ถ้าต้องการถอดจานตัดออก ให้ทำขั้นตอนด้านบนย้อนกลับ

การใช้งานจานตัด

1. ปล่อยให้เครื่องมือเดินเครื่องจนถึงความเร็วเต็มที่ก่อนที่จะสัมผัสเครื่องมือกับผิวชิ้นงาน
2. กดเบาๆ ที่ตัวเครื่องเข้าไปที่ชิ้นงาน ปล่อยให้ตัวเครื่องทำงานที่ความเร็วสูง
3. เมื่อเริ่มการตัด ให้พยายามรักษามุมของจานตัดกับผิวชิ้นงานให้คงที่

การทำเช่นนี้จะช่วยไม่ให้งานตัดเกิดการโค้งงอ ซึ่งอาจทำให้เกิดการแตกหักและบาดเจ็บได้

- ยกเครื่องมือขึ้นจากผิวชิ้นงานก่อนที่จะปิดเครื่องมือ ปล่อยให้เครื่องมือหยุดหมุนก่อนจะวางลง

การบำรุงรักษา

การทำความสะอาด

การเป่าผงฝุ่น เศษโลหะต่าง ๆ ออกจากตัวมอเตอร์โดยใช้เครื่องเป่าที่แห้งและสะอาดนั้นเป็นขั้นตอนบำรุงรักษาที่ต้องทำอย่างสม่ำเสมอ ผงฝุ่นและเศษผงต่างๆ ซึ่งประกอบไปด้วยเศษโลหะขนาดเล็กอาจจะสะสมอยู่ตามพื้นผิวภายในตัวเครื่องและอาจทำให้เกิดไฟฟ้าช็อตได้ หากไม่ได้ทำความสะอาดบ่อยๆ **สวมแว่นตานิรภัยตลอดเวลา**

⚠ ข้อควรระวัง: ห้ามใช้สารละลายหรือสารเคมีที่มีฤทธิ์รุนแรงในการทำความสะอาดชิ้นส่วนที่ไม่ได้เป็นโลหะของเครื่องมือนี้ ให้ใช้ผ้าแห้งและสะอาดเท่านั้น

การหล่อลื่น

เครื่องมือของ DEWALT ได้รับการหล่อลื่นอย่างเหมาะสมมาจากโรงงานและพร้อมใช้งานแล้ว

การซ่อมแซม

เพื่อความปลอดภัยในการใช้งานและการทำงานที่ถูกต้องของอุปกรณ์ การซ่อมแซม การบำรุงรักษา และการปรับตั้งเครื่อง จะต้องทำโดยศูนย์บริการที่ได้รับอนุญาต หรือเจ้าหน้าที่บริการที่ได้รับการรับรองเท่านั้น ใช้อะไหล่ทดแทนตามที่ระบุไว้เสมอ

แปรงถ่านมอเตอร์

เมื่อแปรงถ่านได้สึกหรอจนถึงกำหนด ตัวเครื่องมือจะหยุดทำงานโดยอัตโนมัติเพื่อป้องกันความเสียหายที่จะเกิดกับมอเตอร์ การเปลี่ยนแปรงถ่าน จะต้องทำโดยศูนย์บริการที่ได้รับอนุญาตของ DEWALT หรือเจ้าหน้าที่ที่ได้รับการรับรองเท่านั้น เมื่อจะทำการเปลี่ยนแปรงถ่านของมอเตอร์ เจ้าหน้าที่บริการที่ได้รับการรับรองจะต้องปฏิบัติตามขั้นตอนดังต่อไปนี้

ปิดเครื่องและถอดปลั๊กเครื่องมือทุกครั้งก่อนที่จะทำการปรับตั้ง หรือถอด หรือติดตั้งอุปกรณ์เสริมทั้งหมด ก่อนเสียบปลั๊กเครื่องมืออีกครั้ง ต้องกดสวิตช์ไกปืนแล้วปล่อย เพื่อให้มั่นใจว่าเครื่องมืออยู่ในสถานะปิดจริงๆ

- ถอดฝาครอบแปรงถ่านที่อยู่ด้านข้างของตัวมอเตอร์ออก
- ในการถอดแปรงถ่าน ให้กดที่ขั้วตัวเมียที่ซึ่งติดอยู่ที่ลวดนำของแปรงถ่าน แล้วถอดขั้วตัวเมียออกจากขั้วตัวผู้
- ดึงแปรงถ่านขึ้นตรงๆ ออกจากตัวยึดแปรงถ่าน
- เปลี่ยนแปรงถ่านพร้อมกันเป็นคู่ โดยใช้แปรงถ่านของแท้จาก DEWALT ที่มีให้เลือกใช้จากศูนย์บริการอย่างเป็นทางการของ DEWALT
- ตรวจให้มั่นใจว่าแปรงถ่านสามารถเลื่อนได้อย่างอิสระในกล่องแปรงถ่าน
- ต่อลวดนำของแปรงถ่านไปที่ขั้วของแปรงถ่าน
- ใส่ฝาครอบแปรงถ่านกลับเข้าไปก่อนที่จะใช้เครื่องมือ ชิ้นสกรูที่ดึงไว้สูงสุด 10 นิ้วปอนด์ การขันให้แน่นเกินไปอาจจะทำให้เกิดเสียงสกรูขาดได้

การสั่งซื้ออุปกรณ์เสริม

อุปกรณ์เสริมต่างๆ ที่แนะนำให้ใช้กับเครื่องมือของท่าน สามารถหาซื้อแยกต่างหากได้ที่ตัวแทนจำหน่ายหรือศูนย์บริการที่ได้รับการแต่งตั้งอย่างเป็นทางการ

⚠ ข้อควรระวัง: การใช้อุปกรณ์เสริมที่ไม่ได้แนะนำให้ใช้กับเครื่องมือนี้ อาจก่อให้เกิดอันตรายได้