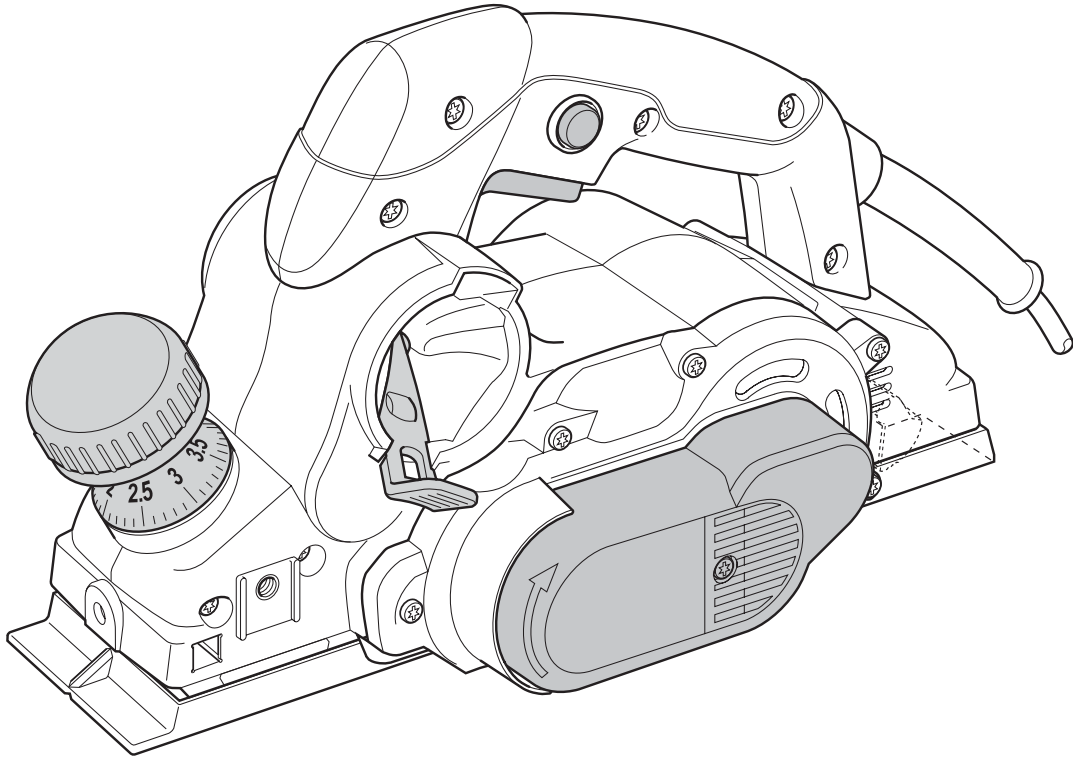
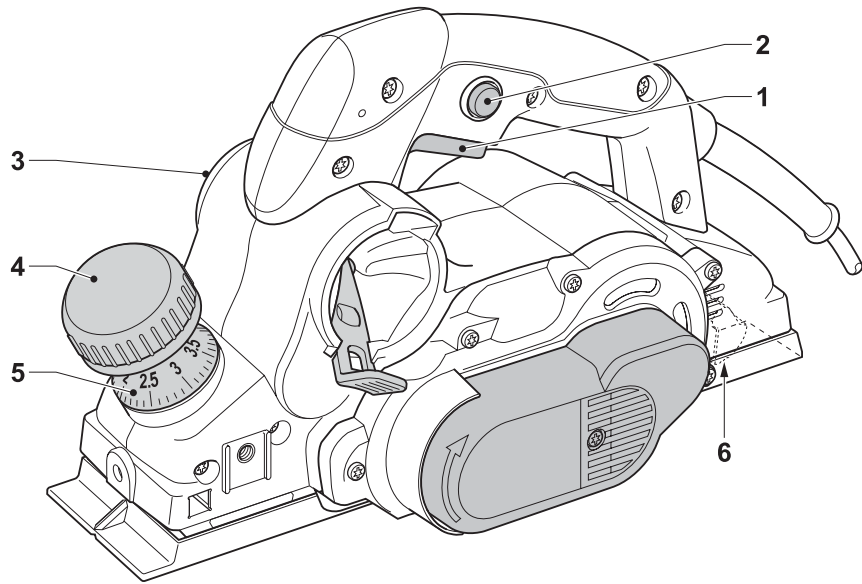


# DEWALT®



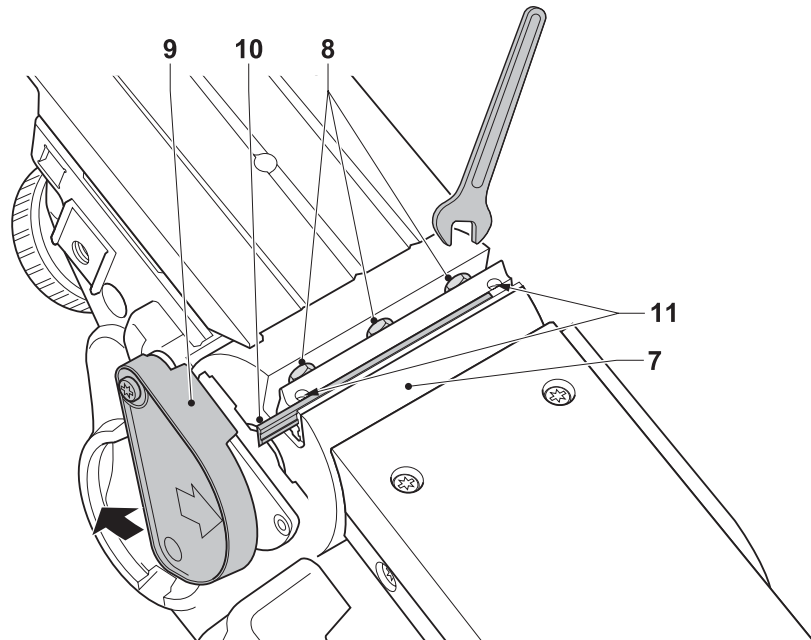
Advertencia: Léase este instructivo antes de usar el producto.

**D26500**



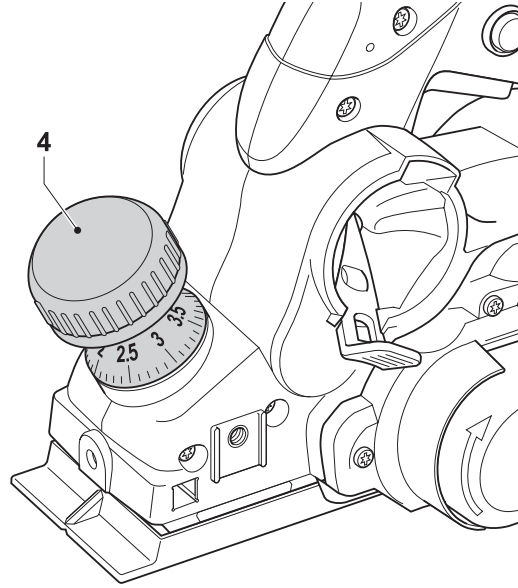
**A**

---



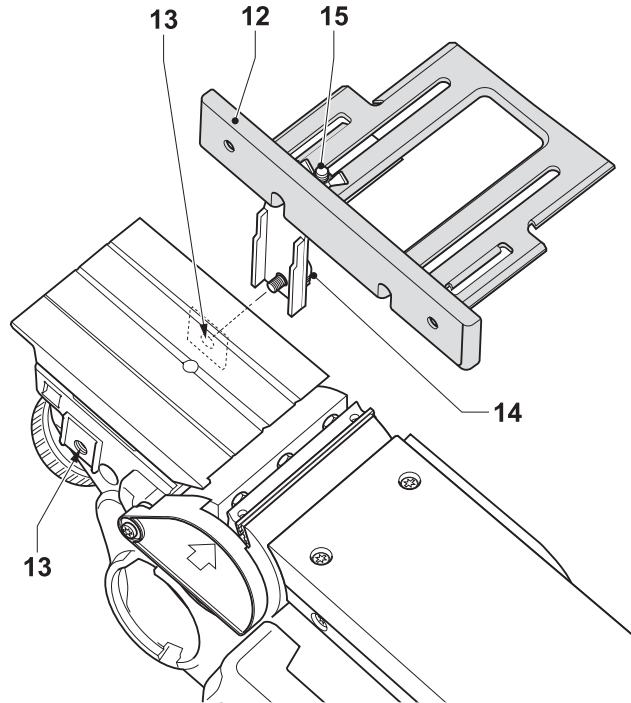
**B**

---



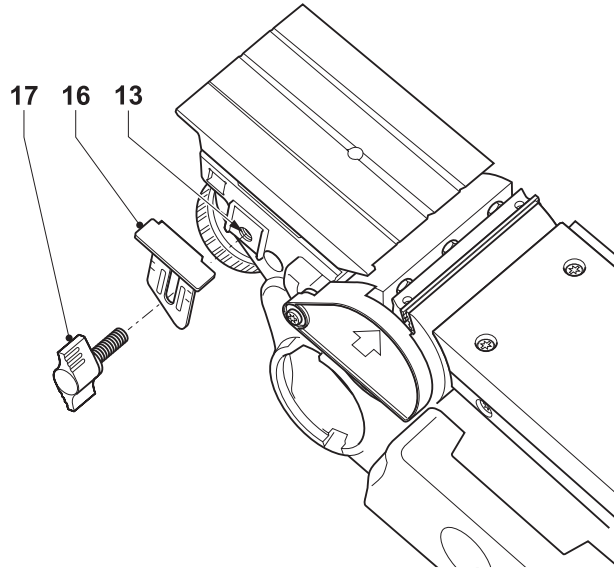
**C**

---



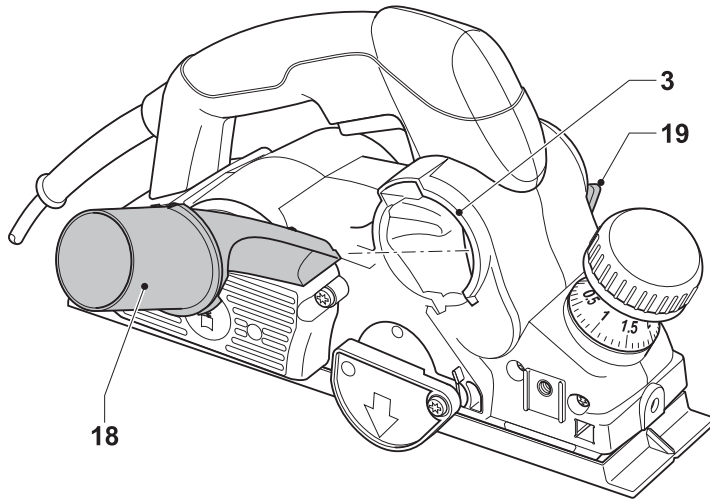
**D**

---



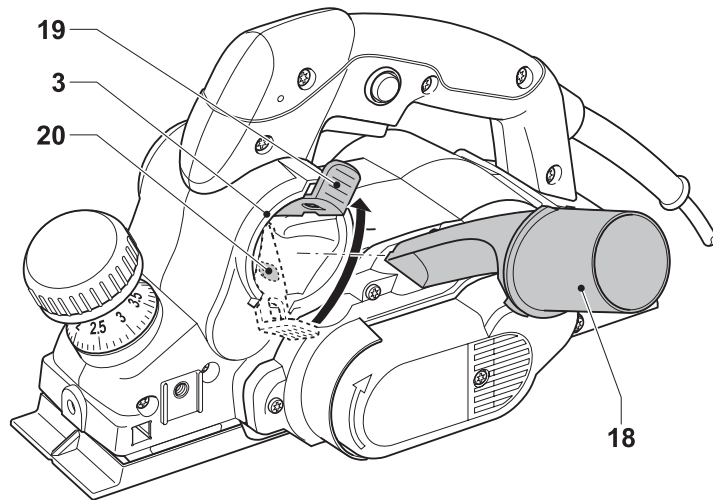
**E**

---



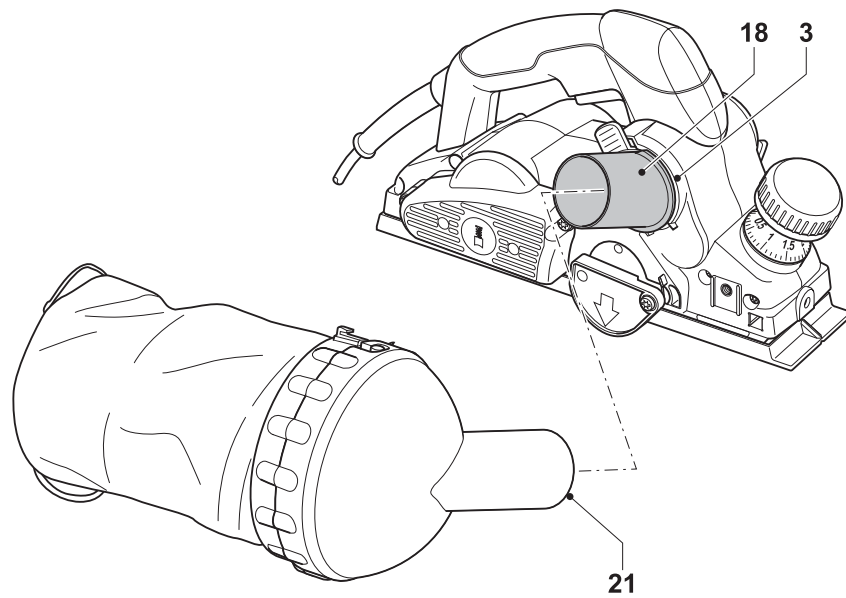
**F1**

---



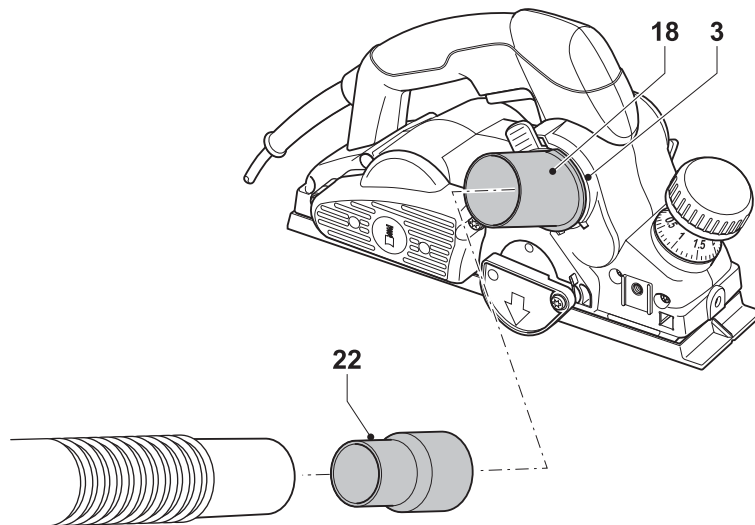
**F2**

---



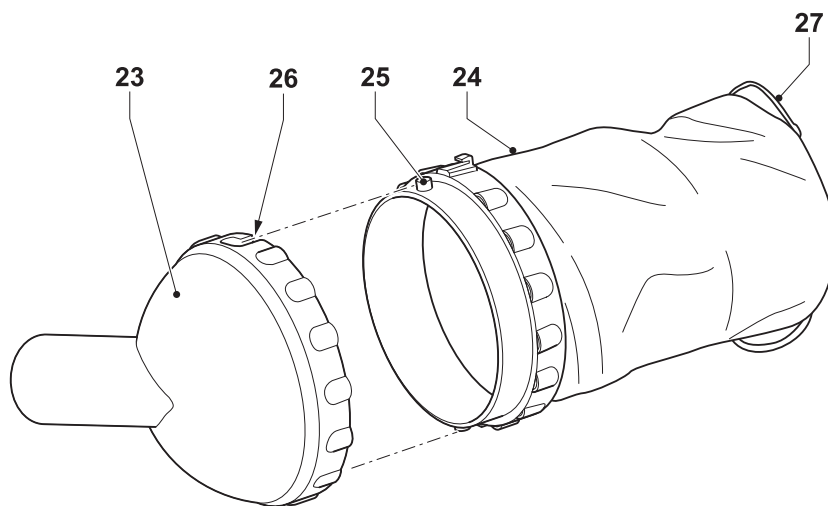
**G**

---



**H**

---



**I**

---

# PLANER D26500

## Congratulations!

You have chosen a DeWALT tool. Years of experience, thorough product development and innovation make DeWALT one of the most reliable partners for professional power tool users.

## Technical data

	D26500
Voltage	V 120/220
Power input	W 1,050
No-load speed	min <sup>-1</sup> 13,500
Base length	mm 320
Planing width	mm 82
Rebating depth (max.)	mm 25
Planing depth (max.)	mm 4,0
Weight	kg 4

The following symbols are used throughout this manual:



Denotes risk of personal injury, loss of life or damage to the tool in case of non-observance of the instructions in this manual.



Denotes risk of electric shock.

## EC-Declaration of conformity



### D26500

DeWALT declares that these power tools have been designed in compliance with: 98/37/EEC, 89/336/EEC, 86/188/EEC, EN 60745, EN 55014-1, EN 55014-2, EN 61000-3-2, EN 61000-3-3.

For more information, please contact DeWALT at the address below, or refer to the back of the manual.

	D26500
L <sub>DA</sub> (sound pressure)	dB(A) 88
L <sub>WA</sub> (acoustic power)	dB(A) 99
Weighted RMS acceleration value	m/s <sup>2</sup> < 2.5
K <sub>DA</sub> (sound pressure uncertainty)	dB(A)
K <sub>WA</sub> (acoustic power uncertainty)	dB(A)

Director Engineering and Product Development  
Horst Großmann

DeWALT, Richard-Klinger-Straße 11  
D-65510, Idstein, Germany

## ENGLISH

---

### General safety rules

**Warning!** Read all instructions. Failure to follow all instructions listed below may result in electric shock, fire and/or serious injury. The term „power tool“ in all of the warnings listed below refers to your mains operated (corded) power tool or battery operated (cordless) power tool. **SAVE THESE INSTRUCTIONS.**

#### 1 Work area

- a **Keep work area clean and well lit.** Cluttered and dark areas invite accidents.
- b **Do not operate power tools in explosive atmospheres, such as in the presence of flammable liquids, gases or dust.** Power tools create sparks which may ignite the dust or fumes.
- c **Keep children and bystanders away while operating a power tool.** Distractions can cause you to lose control.

#### 2 Electrical safety

- a **Power tool plugs must match the outlet.** Never modify the plug in any way. Do not use any adapter plugs with earthed (grounded) power tools. Unmodified plugs and matching outlets will reduce risk of electric shock.
- b **Avoid body contact with earthed or grounded surfaces such as pipes, radiators, ranges and refrigerators.** There is an increased risk of electric shock if your body is earthed or grounded.
- c **Do not expose power tools to rain or wet conditions.** Water entering a power tool will increase the risk of electric shock.
- d **Do not abuse the cord. Never use the cord for carrying, pulling or unplugging the power tool. Keep cord away from heat, oil, sharp edges or moving parts.** Damaged or entangled cords increase the risk of electric shock.
- e **When operating a power tool outdoors, use an extension cord suitable for outdoor use.** Use of a cord suitable for outdoor use reduces the risk of electric shock.

#### 3 Personal safety

- a **Stay alert, watch what you are doing and use common sense when operating a power tool.**

**Do not use a power tool while you are tired or under the influence of drugs, alcohol or medication.** A moment of inattention while operating power tools may result in serious personal injury.

- b **Use safety equipment. Always wear eye protection.** Safety equipment such as dust mask, non-skid safety shoes, hard hat, or hearing protection used for appropriate conditions will reduce personal injuries.
- c **Avoid accidental starting. Ensure the switch is in the off position before plugging in.** Carrying power tools with your finger on the switch or plugging in power tools that have the switch on invites accidents.
- d **Remove any adjusting key or wrench before turning the power tool on.** A wrench or a key left attached to a rotating part of the power tool may result in personal injury.
- e **Do not overreach. Keep proper footing and balance at all times.** This enables better control of the power tool in unexpected situations.
- f **Dress properly. Do not wear loose clothing or jewellery. Keep your hair, clothing and gloves away from moving parts.** Loose clothes, jewellery or long hair can be caught in moving parts.
- g **If devices are provided for the connection of dust extraction and collection facilities, ensure these are connected and properly used.** Use of these devices can reduce dust related hazards.

#### 4 Power tool use and care

- a **Do not force the power tool. Use the correct power tool for your application.** The correct power tool will do the job better and safer at the rate for which it was designed.
- b **Do not use the power tool if the switch does not turn it on and off.** Any power tool that cannot be controlled with the switch is dangerous and must be repaired.
- c **Disconnect the plug from the power source before making any adjustments, changing accessories, or storing power tools.** Such preventive safety measures reduce the risk of starting the power tool accidentally.



- d **Store idle power tools out of the reach of children and do not allow persons unfamiliar with the power tool or these instructions to operate the power tool.** Power tools are dangerous in the hands of untrained users.
- e **Maintain power tools. Check for misalignment or binding of moving parts, breakage of parts and any other condition that may affect the power tools operation. If damaged, have the power tool repaired before use.** Many accidents are caused by poorly maintained power tools.
- f **Keep cutting tools sharp and clean.** Properly maintained cutting tools with sharp cutting edges are less likely to bind and are easier to control.
- g **Use the power tool, accessories and tool bits etc., in accordance with these instructions and in the manner intended for the particular type of power tool, taking into account the working conditions and the work to be performed.** Use of the power tool for operations different from those intended could result in a hazardous situation.

5 Service

- a **Have your power tool serviced by a qualified repair person using only identical replacement parts.** This will ensure that the safety of the power tool is maintained.

*Additional safety rules for planers*

- **Wait for the cutter to stop before putting the tool down.** An exposed cutter may engage the surface leading to possible loss of control and serious injury.

**Package contents**

The package contains:

- 1 Planer
- 1 Parallel fence
- 1 Rebating depth stop
- 1 Wing bolt
- 1 Spanner
- 1 Shavings ejector
- 1 Shavings deflector (K-models only)
- 1 Dustbag (K-models only)
- 1 Dust extraction adapter
- 1 Kitbox (K-models only)
- 1 Instruction manual
- 1 Exploded drawing

- Check for damage to the tool, parts or accessories which may have occurred during transport.
- Take the time to thoroughly read and understand this manual prior to operation.

**Description (fig. A)**

Your D26500 planer has been designed for professional planing of wood.

- 1 On/off switch
- 2 Lock-off button
- 3 Shavings discharge outlet
- 4 Planing depth adjustment knob
- 5 Planing depth graduation
- 6 Parking shoe

**Electrical safety**

The electric motor has been designed for one voltage only. Always check that the power supply corresponds to the voltage on the rating plate.



Your DeWALT tool is double insulated in accordance with EN 50144; therefore no earth wire is required.

**Using an extension cable**

If an extension cable is required, use an approved extension cable suitable for the power input of this tool (see technical data). The minimum conductor size is 1.5 mm<sup>2</sup>.

When using a cable reel, always unwind the cable completely. Also refer to the table below.

Conductor size (mm <sup>2</sup> )	Cable rating (Amperes)	
0.75	6	
1.00	10	
1.50	15	
2.50	20	
4.00	25	
Cable length (m)		
	7.5	15 25 30 45 60
Voltage	Amperes	Cable rating (Amperes)
120	0 - 2.0	6 6 6 6 6 10
	2.1 - 3.4	6 6 6 6 15 15
	3.5 - 5.0	6 6 10 15 20 20
	5.1 - 7.0	10 10 15 20 20 25
	7.1 - 12.0	15 15 20 25 25 -
	12.1 - 20.0	20 20 25 - - -

## ENGLISH

220	0 - 2,0	6	6	6	6	6	6
	2,1 - 3,4	6	6	6	6	6	6
	3,5 - 5,0	6	6	6	6	10	15
	5,1 - 7,0	10	10	10	10	15	15
	7,1 - 12,0	15	15	15	15	20	20
	12,1 - 20,0	20	20	20	20	25	-

### Assembly and adjustment



Prior to assembly and adjustment always unplug the tool.

#### Replacing the cutting blades (fig. B)

The cutting blades fitted on this tool are reversible. If both sides are worn, the cutting blades have to be replaced.



Always replace the blades simultaneously.

- Carefully rotate the cutterhead (7) until the first blade becomes visible.
- Loosen the bolts (8) using the spanner supplied.
- Pull up the side guard (9).
- Slide the blade (10) out of its holder.
- Reverse the blade or replace it.
- Slide the blade into the holder. At the rebating side (i.e. the side where the side guard is mounted), the cutting blade must be flush with the planing shoe.
- Adjust the blade as described below.
- Tighten the bolts (8).
- Repeat as for the other blade.

#### Adjusting the blades (fig. B)

- Ensure the depth of cut is set at 0 mm.
- Check the position of the blade (10) at both ends. Use a flat object as a level across the planing shoe.
- The tip of the blade must be flush with the planing shoe surface.
- If adjustment is required, proceed as follows:
- Turn each adjusting screw (11) in or out as necessary until the blade tip coincides with the planing shoe.

#### Adjusting the depth of cut (fig. C)

- Turn the planing depth adjustment knob (4). One revolution of the adjustment knob equals a 4,0 mm change in depth.

One graduation corresponds to a depth of cut of 0,1 mm.

#### Attaching, removing and adjusting the parallel fence (fig. D)

The parallel fence (12) is used for optimum tool control on narrow workpieces. The parallel fence can be fitted to either side of the tool.

- Assemble the parallel fence (12) in such way that the fence profile will provide guidance from the front of the tool until behind the cutterhead.
- Fit the parallel fence to the threaded hole (13) from either side.
- Tighten the wing bolt (14).
- To remove the parallel fence, remove the wing bolt.

To adjust the parallel fence:

- Loosen the wing nut (15).
- Adjust the fence so that there will be just enough area of the cutterhead left to cut the workpiece surface.
- Tighten the wing nut.

#### Attaching, removing and adjusting the rebating depth stop (fig. E)

- Install the depth stop (16).
- Tighten the wing bolt (17) at the desired height in the threaded hole (13) using the scale.
- To remove the depth stop, remove the wing bolt.

#### Fitting and removing the shavings ejector (fig. F1 & F2)

The tool can be used for both left-hand and right-hand side shavings discharge.

For right-hand side shavings discharge (fig. F1), the tool can be used with or without the ejector. The ejector must be used in combination with the dust extraction adaptor when connecting a vacuum extractor.

- Push the ejector (18) into the right-hand side shavings discharge outlet (3) until it clicks in place.
- To remove the ejector, raise the lever (19) and pull out the ejector.

For left-hand side shavings discharge (fig. F2), the ejector must always be used.

- Raise the lever (19) to open the spring-loaded closure (20).

## ENGLISH

---

- Push the ejector (18) into the left-hand side shavings discharge outlet (3) until it clicks in place.
- Release the lever.
- To remove the ejector, raise the lever and pull out the ejector.

### **Dust extraction (fig. G - I)**



When appropriate, connect a dust extraction system designed in compliance with the applicable directives regarding dust emission.

The tool is supplied with an adapter for connecting a dustbag or a vacuum extractor. The dustbag is standard for K-models and available as an option for all other models.

- Fit the shavings ejector (18) into the outlet (3) as shown.
- Attach the dustbag (21) to the shavings ejector.
- Alternatively, connect the tool to a vacuum extractor using the adaptor (22).

### **Assembling the dustbag (fig. I)**

- Assemble the dustbag by aligning the open-ended slots (26) with the notches (25) and fitting the (23) deflector onto the bag (24).
- Turn the assembly clockwise to lock it in position.
- Release the loops (27) to unfold the bag.
- Fit the dustbag as described above.

### **Instructions for use**



- Always observe the safety instructions and applicable regulations.

#### **Prior to operation:**

- Adjust the depth of cut.
- If necessary, fit and adjust the parallel fence.
- Attach the shavings ejector.
- Use sharp cutting blades only.

#### **Switching on and off (fig. A)**

For safety reasons the on/off switch (1) of your tool is equipped with a lock-off button (2).

- Press the lock-off button to unlock the tool.

- To run the tool, press the on/off switch (1). As soon as the on/off switch is released the lock-off switch is automatically activated to prevent unintended starting of the machine.



Do not switch the tool on or off when the cutters touch the workpiece or other materials.

### **Planing (fig. A)**

- Switch the tool on.
- Slowly move the tool over the workpiece.



The feed speed should not be too high, especially when using the maximum depth of cut and planing width. Remember that several shallow cuts are better than one deep cut.

- Always switch off the tool when work is finished and before unplugging.
- The tool is equipped with a parking shoe (6). After switching off the tool can be put down without waiting for the cutters to come to a standstill.

### **Rebating**

- Fit and adjust the parallel fence.
- Fit and adjust the rebating depth stop.
- Proceed as for planing.

### **Chamfering edges**

The V-grooves in the nose piece of the shoe enable you to chamfer edges.

### **Emptying the dustbag (fig. G & I)**

The amount of shavings collected in the dustbag can be determined from the transparent deflector.

- Remove the dustbag (21).
- Remove the deflector (23) from the bag (24) by turning it counter-clockwise.
- Empty the contents of the bag into a waste container.
- Re-assemble the dustbag by aligning the open-ended slots (26) with the notches (25) and fitting the deflector onto the bag.
- Turn the assembly clockwise to lock it in position.
- Re-fit dustbag.

## ENGLISH

---



### **Dust extraction (fig. G - I)**

- When the tool is used indoor for extended periods of time, use a suitable dust extractor designed in compliance with the applicable Directives regarding dust emission.

Consult your dealer for further information on the appropriate accessories.

### **Maintenance**

Your DeWALT power tool has been designed to operate over a long period of time with a minimum of maintenance. Continuous satisfactory operation depends upon proper tool care and regular cleaning.



### **Lubrication**

Your power tool requires no additional lubrication.



### **Cleaning**

Keep the ventilation slots clear and regularly clean the housing with a soft cloth.



### **Unwanted tools and the environment**

Take your tool to an authorized DeWALT repair agent where it will be disposed of in an environmentally safe way.

# CEPILLO D26500

## Advertencia:

Léase este instructivo antes de usar el producto.

## ¡Enhorabuena!

Usted ha optado por una herramienta DeWALT. Muchos años de experiencia y una gran asiduidad en el desarrollo y la innovación de sus productos han convertido DeWALT en un socio muy fiable para el usuario profesional.

## Características técnicas

D26500	
Voltaje	V 120/220
Potencia absorbida	W 1.050
Velocidad en vacío	min <sup>-1</sup> 13.500
Longitud de la base	mm 320
Ancho de cepillado	mm 82
Profundidad de rebajo (máx.)	mm 25
Profundidad de cepillado (máx.)	mm 4,0
Peso	kg 4

## Fusibles

Herramientas 220 V:	10 A
---------------------	------

En el presente manual figuran los pictogramas siguientes:



Indica peligro de lesiones, de accidentes mortales o de averías en la herramienta en caso de no respeto de las instrucciones en este manual.



Indica tensión eléctrica.

## Declaración CE de conformidad



### D26500

DeWALT certifica que estas herramientas eléctricas han sido construidas de acuerdo a las normas siguientes: 98/37/CEE, 89/336/CEE, 86/188/CEE, EN 60745, EN 55014-1, EN 55014-2, EN 61000-3-2, EN 61000-3-3.

Para información más detallada, contacte a DeWALT, véase abajo o consulte el dorso de este manual.

D26500(K)		
L <sub>pA</sub> (presión acústica)	dB(A)	88
L <sub>WA</sub> (potencia acústica)	dB(A)	99
Valor cuadrático medio ponderado		
en frecuencia de la aceleración	m/s <sup>2</sup>	< 2,5
K <sub>pA</sub> (incertidumbre de presión acústica)	dB(A)	
K <sub>WA</sub> (incertidumbre de potencia acústica)	dB(A)	

Director Engineering and Product Development  
Horst Großmann

DeWALT, Richard-Klinger-Straße 11,  
D-65510, Idstein, Alemania

**Normas de seguridad generales**

¡Atención! Lea íntegramente estas instrucciones. En caso de no atenerse a las instrucciones de seguridad siguientes, ello puede dar lugar a una descarga eléctrica, incendio o lesión grave. El término “herramienta eléctrica” empleado en las advertencias indicadas a continuación se refiere a la herramienta eléctrica con alimentación de red (con cable) o alimentada por batería (sin cable). **GUARDE ESTAS INSTRUCCIONES EN UN LUGAR SEGURO.**

**1 Área de trabajo**

- a **Mantenga limpia y bien iluminada el área de trabajo.** El desorden y una iluminación deficiente en las áreas de trabajo pueden provocar accidentes.
- b **No utilice la herramienta eléctrica en un entorno con peligro de explosión, en el que se encuentren combustibles líquidos, gases o material en polvo.** Las herramientas eléctricas producen chispas que pueden llegar a inflamar los materiales en polvo o vapores.
- c **Mantenga alejados a los niños y otras personas del área de trabajo al emplear la herramienta eléctrica.** Una distracción le puede hacer perder el control sobre la herramienta.

**2 Seguridad eléctrica**

- a **El enchufe de la herramienta eléctrica debe responder a la toma de corriente utilizada. No es admisible modificar el enchufe en forma alguna. No emplee adaptadores en herramientas eléctricas dotadas con una toma de tierra.** Los enchufes sin modificar adecuados a las respectivas tomas de corriente reducen el riesgo de una descarga eléctrica.
- b **Evite que su cuerpo toque partes conectadas a tierra como tuberías, radiadores, cocinas y refrigeradores.** El riesgo a quedar expuesto a una sacudida eléctrica es mayor si su cuerpo tiene contacto con tierra.
- c **No exponga las herramientas eléctricas a la lluvia y evite que penetren líquidos en su interior.** Existe el peligro de recibir una descarga eléctrica si penetran ciertos líquidos en la herramienta eléctrica.

- d **Cuide el cable de alimentación** No utilice el cable de red para transportar o colgar la herramienta eléctrica, ni tire de él para sacar el enchufe de la toma de corriente. Mantenga el cable de red alejado del calor, aceite, bordes afilados o piezas móviles. Los cables de red dañados o enredados pueden provocar una descarga eléctrica.
- e **Al trabajar con la herramienta eléctrica en la intemperie utilice solamente cables de prolongación homologados para su uso en exteriores.** La utilización de un cable de prolongación adecuado para su uso en exteriores reduce el riesgo de una descarga eléctrica.

**3 Seguridad personal**

- a **Esté atento a lo que hace y emplee la herramienta eléctrica con prudencia. No utilice la herramienta eléctrica si estuviese cansado, ni tampoco después de haber consumido alcohol, drogas o medicamentos.** El no estar atento durante el uso de una herramienta eléctrica puede provocar serias lesiones.
- b **Utilice un equipo de protección y en todo caso unas gafas de protección.** El riesgo a lesionarse se reduce considerablemente si, dependiendo del tipo y la aplicación de la herramienta eléctrica empleada, se utiliza un equipo de protección adecuado como una mascarilla antipolvo, zapatos de seguridad con suela antideslizante, casco, o protectores auditivos.
- c **Evite una puesta en marcha accidental de la herramienta. Compruebe que el interruptor esté en la posición de apagado antes de enchufar la herramienta.** Transportar la herramienta eléctrica con el dedo sobre el interruptor o enchufarla con el interruptor encendido puede provocar accidentes.
- d **Retire las herramientas de ajuste o llaves fijas antes de conectar la herramienta eléctrica.** Una herramienta o llave colocada en una pieza giratoria de la herramienta eléctrica puede producir lesiones al ponerse a funcionar.

- e Sea precavido. Mantenga un apoyo firme sobre el suelo y conserve el equilibrio en todo momento.** Ello le permitirá controlar mejor la herramienta eléctrica en caso de presentarse una situación inesperada.
- f Lleve puesta una vestimenta de trabajo adecuada. No lleve vestidos anchos ni joyas. Mantenga su pelo, vestimenta y guantes alejados de las piezas móviles.** La vestimenta suelta, las joyas y el pelo largo se pueden enganchar con las piezas en movimiento.
- g Siempre que sea posible utilizar unos equipos de aspiración o captación de polvo, asegúrese que éstos estén montados y que sean utilizados correctamente.** El empleo de estos equipos reduce los riesgos derivados del polvo.
- 4 Uso y cuidado de herramientas eléctricas**
- a No sobrecargue la herramienta eléctrica.** Use la herramienta eléctrica prevista para el trabajo a realizar. Con la herramienta eléctrica adecuada podrá trabajar mejor y más seguro dentro del margen de potencia indicado.
- b No utilice herramientas eléctricas con un interruptor defectuoso.** Las herramientas eléctricas que no se puedan conectar o desconectar son peligrosas y deben hacerse reparar.
- c Saque el enchufe de la red antes de realizar un ajuste en la herramienta eléctrica, cambiar de accesorio o al guardar la herramienta.** Esta medida preventiva reduce el riesgo de conectar accidentalmente la herramienta eléctrica.
- d Guarde las herramientas eléctricas fuera del alcance de los niños y de las personas que no estén familiarizadas con su uso.** Las herramientas eléctricas utilizadas por personas inexpertas son peligrosas
- e Cuide sus herramientas eléctricas con esmero. Controle si funcionan correctamente, sin atascarse, las partes móviles de la herramienta eléctrica, y si existen partes rotas o deterioradas que pudieran afectar al funcionamiento de la herramienta. Si la herramienta eléctrica estuviese defectuosa haga que la reparen antes de volver a utilizarla.** Muchos de los accidentes se deben a herramientas eléctricas con un mantenimiento deficiente.
- f Mantenga las herramientas de corte limpias y afiladas.** Las herramientas de corte mantenidas correctamente se dejan guiar y controlar mejor.
- g Utilice herramientas eléctricas, accesorios, útiles de herramienta, etc. de acuerdo con estas instrucciones y en la manera indicada específicamente para esta herramienta eléctrica. Considere en ello las condiciones de trabajo y la tarea a realizar.** El uso de herramientas eléctricas para trabajos diferentes de aquellos para los que han sido concebidas puede resultar peligroso.
- 5 Servicio técnico**
- a Haga reparar su herramienta eléctrica sólo por personal técnico autorizado que emplee exclusivamente piezas de repuesto originales.** Solamente así se garantiza la seguridad de la herramienta eléctrica.
- Normas de seguridad adicionales para cepillos**
- **Espere que la cuchilla se detenga antes de dejar la herramienta.** Una cuchilla al descubierto puede engancharse a la superficie produciéndose una posible pérdida de control y lesiones de gravedad.
- Verificación del contenido del embalaje**
- El paquete contiene:
- 1 Cepillo
  - 1 Guía rectilínea
  - 1 Tope de profundidad de rebajo
  - 1 Perno de mariposa
  - 1 Llave
  - 1 Eyector de virutas
  - 1 Deflector de virutas (solo modelos K)
  - 1 Bolsa para la recogida de polvo (solo modelos K)
  - 1 Adaptador de salida de serrín
  - 1 Caja de transporte (solo modelos K)
  - 1 Manual de instrucciones
  - 1 Dibujo despiezado
- Compruebe si la herramienta, piezas o accesorios han sufrido algún daño durante el transporte.
  - Tómese el tiempo necesario para leer y comprender este manual antes de utilizar la herramienta.

### Descripción (fig. A)

El cepillo D26500 ha sido diseñado para el cepillado profesional de madera.

- 1 Interruptor de marcha/parada
- 2 Botón de bloqueo del interruptor
- 3 Orificio de descarga de virutas
- 4 Pomo de ajuste de la profundidad de cepillado
- 5 Graduación de la profundidad de cepillado
- 6 Suela de apoyo

### Seguridad eléctrica

El motor eléctrico ha sido diseñado para un solo voltaje. Compruebe siempre que el voltaje de la red corresponde al valor indicado en la placa de características.



Su herramienta DEWALT tiene doble aislamiento, conforme a la norma EN 50144; por consiguiente, no se requiere conexión a tierra.

### Utilización de un cable de prolongación

En caso de que sea necesario utilizar un cable de prolongación, deberá ser un cable de prolongación aprobado, adecuado para la potencia de esta herramienta (véanse las características técnicas). La sección mínima de conductor es de 1,5 mm<sup>2</sup>. Si utiliza un carrete de cable, desenrolle siempre el cable completamente.

### Montaje y ajustes



Desenchufe la herramienta antes de proceder con el montaje y los ajustes.

### Sustitución de las cuchillas de corte (fig. B)

Las cuchillas de corte suministradas con esta herramienta son reversibles. Si ambos lados están gastados, deberá sustituir las cuchillas de corte.



Cambie siempre las cuchillas de corte al mismo tiempo.

- Gire con cuidado el cabezal portacuchilla (7) hasta que la primera cuchilla quede visible.
- Afloje los pernos (8) usando la llave suministrada.
- Tire hacia arriba del protector lateral (9).
- Deslice la cuchilla (10) fuera del portacuchilla.
- Dé la vuelta a la cuchilla o cámbiela.
- Deslice la cuchilla en el portacuchilla. En el lado de rebajo (es decir, el lado donde está montado el protector lateral), la cuchilla de corte debe quedar a nivel con la suela de cepillado.
- Ajuste la cuchilla como se describe a continuación.
- Apriete los pernos (8).
- Repita este procedimiento con la otra cuchilla.

### Ajuste de las cuchillas (fig. B)

- Asegúrese que la profundidad de corte esté ajustada a 0 mm.
- Compruebe la posición de la cuchilla (10) en ambos extremos. Utilice un objeto plano como nivel a lo largo de la suela de cepillado.
- La punta de la hoja debe quedar nivelada con la superficie de la suela de cepillado.
- Para practicar el ajuste, realice lo siguiente:
- Gire cada tornillo de ajuste (11) hacia dentro o hacia fuera, según sea necesario, hasta que la punta de la cuchilla coincida con la suela de cepillado.

### Ajuste de la profundidad de corte (fig. C)

- Gire el pomo de ajuste de la profundidad de cepillado (4). Una vuelta del pomo de ajuste equivale a un cambio de 4,0 mm en profundidad. Una graduación corresponde a una profundidad de corte de 0,1 mm.



### **Montaje, retirada y ajuste de la guía paralela (fig. D)**

La guía paralela (12) se utiliza para un control óptimo de la herramienta en piezas de trabajo estrechas. La guía paralela puede montarse en cualquiera de los laterales de la herramienta.

- Monte la guía paralela (12) de tal forma que el perfil de la guía ofrezca orientación desde la parte delantera de la herramienta hasta detrás del cabezal portacuchilla.
- Fije la guía paralela a los orificios roscados (13) de cada lado.
- Apriete el perno de mariposa (14).
- Para retirar la guía paralela, quite el perno de mariposa.

Para ajustar la guía paralela:

- Afloje la tuerca de mariposa (15).
- Ajuste la guía para que quede justo el espacio suficiente para que el cabezal portacuchilla corte la superficie de la pieza de trabajo.
- Apriete la tuerca de mariposa.

### **Montaje, retirada y ajuste del tope de profundidad de rebajo (fig. E)**

- Instale el tope de profundidad (16).
- Apriete el perno de mariposa (17) a la altura deseada en el orificio roscado (13) utilizando la escala.
- Para retirar el tope de profundidad, quite el perno de mariposa.

### **Colocación y retirada del eyector de virutas (fig. F1 & F2)**

La herramienta puede ajustarse para hacer la descarga de virutas tanto en el lado izquierdo como en el derecho.

Para la descarga de virutas en el lado derecho (fig. F1), la herramienta puede utilizarse con o sin el eyector. El eyector debe utilizarse en combinación con el adaptador de extracción de polvo al conectar una aspiradora.

- Introduzca el eyector (18) en el orificio de descarga de virutas del lado derecho (3) hasta que se oiga un clic al encajar en su posición.
- Para retirar el eyector, levante la palanca (19) y tire de éste.

Para la descarga de virutas en el lado izquierdo (fig. F2), siempre debe utilizarse el eyector.

- Levante la palanca (19) para abrir el cierre con resorte (20).
- Introduzca el eyector (18) en el orificio de descarga de virutas del lado izquierdo (3) hasta que se oiga un clic al encajar en su posición.
- Suelte la palanca.
- Para retirar el eyector, levante la palanca y tire de éste.

### **Extracción de polvo (fig. G - I)**



Cuando sea adecuado, conecte un sistema de extracción de polvo diseñado de acuerdo con las directivas aplicables en relación con la emisión de polvo al serrar madera.

La herramienta se suministra con un adaptador para conectar una bolsa de recogida de polvo o una aspiradora. La bolsa de recogida de polvo es estándar para los modelos K y se encuentra disponible como opción para el resto de modelos.

- Coloque el eyector de virutas (18) en el orificio de salida (3) como se muestra.
- Conecte la bolsa de recogida de polvo (21) al eyector de virutas.
- De forma alternativa, conecte la herramienta a una aspiradora utilizando el adaptador (22).

### **Montaje de la bolsa de recogida de polvo (fig. I)**

- Monte la bolsa de recogida de polvo alineando las ranuras de extremo abierto (26) con las muescas (25) y fijando el deflector (23) en la bolsa (24).
- Gire el conjunto en el sentido de las agujas del reloj para fijarlo en posición.
- Suelte los lazos (27) para desplegar la bolsa.
- Monte la bolsa de recogida de polvo como se ha descrito anteriormente.

### **Instrucciones para el uso**



- Respete siempre las instrucciones de seguridad y las normas de aplicación.

**Antes de trabajar:**

- Ajuste la profundidad de corte.
- Si es necesario, coloque y ajuste la guía paralela.
- Conecte el eyector de virutas.
- Utilice únicamente cuchillas afiladas.

**Encendido y apagado (fig. A)**

Por razones de seguridad, el interruptor de encendido/apagado (1) de su herramienta lleva un botón de bloqueo (2).

- Pulse este botón para desbloquear la herramienta.
- Para poner en marcha la herramienta, presione el interruptor de encendido/apagado (1). En el momento en que se suelta el interruptor de encendido/apagado se activa automáticamente el botón de bloqueo; lo que impide que la herramienta pueda ponerse en marcha inadvertidamente.



No ponga la herramienta en marcha ni la detenga mientras las cuchillas estén en contacto con la pieza o con otro material.

**Cepillado (fig. A)**

- Encienda la herramienta.
- Mueva lentamente la herramienta sobre la pieza de trabajo.



La velocidad de avance no debe ser demasiado elevada, especialmente al utilizar la profundidad de corte y el ancho de cepillado máximos.

Recuerde que es mejor hacer varios cortes poco profundos que un único corte profundo.

- Siempre se debe desconectar la herramienta nada más terminado el trabajo y antes de desenchufarla.
- La herramienta está equipada con una suela de apoyo (6). Tras desconectar la herramienta, ésta puede dejarse sin tener que esperar a que se detengan las cuchillas.

**Rebajes**

- Coloque y ajuste la guía paralela.
- Coloque y ajuste el tope de profundidad de rebajo.
- Proceda igual que para el cepillado.

**Biselado de cantos**

Las ranuras en V de la pieza frontal del soporte le permiten biselar cantos.

**Vaciado de la bolsa de recogida del polvo (fig. G & I)**

La cantidad de virutas recogidas en la bolsa de recogida de polvo puede determinarse gracias al deflector transparente.

- Retire la bolsa de recogida de polvo (21).
- Retire el deflector (23) de la bolsa (24) girándolo en el sentido contrario a las agujas del reloj.
- Vacíe el contenido de la bolsa en un contenedor de residuos.
- Vuelva a montar la bolsa de recogida de polvo alineando las ranuras de extremo abierto (26) con las muescas (25) y fijando el deflector en la bolsa.
- Gire el conjunto en el sentido de las agujas del reloj para fijarlo en posición.
- Vuelva a colocar la bolsa de recogida de polvo.



**Extracción de polvo (fig. G - I)**

- Cuando la herramienta se utilice en interiores durante largos períodos de tiempo, debe conectarse a un extractor de aspiración adecuado. Utilice un extractor de aspiración diseñado de acuerdo con las Directivas aplicables en relación con la emisión de polvo al serrar madera.

Consulte a su proveedor si desea información más detallada sobre los accesorios apropiados.

**Mantenimiento**

Su herramienta eléctrica DeWALT ha sido diseñada para funcionar mucho tiempo con un mínimo de mantenimiento. El funcionamiento satisfactorio depende del buen cuidado de la herramienta y de una limpieza frecuente.



**Lubricación**

Su herramienta eléctrica no requiere lubricación adicional.

## ESPAÑOL

---



### **Limpieza**

Evite que se obturen las ranuras de ventilación y limpie el exterior con regularidad utilizando un paño suave.



### **Herramientas desechadas y el medio ambiente**

Lleve la herramienta vieja a un Centro de Servicio DeWALT, donde será eliminada sin efectos perjudiciales para el medio ambiente.

---

**Solamente para propósito de México:  
Importado por: Black & Decker S.A. de C.V.  
Bosques de Cidros, Acceso Radiatas No. 42  
3a. Sección de Bosques de las Lomas  
Delegación Cuajimalpa,  
05120, México D.F.  
Tel. (52) 555-326-7100  
R.F.C.: BDE810626-1W7**

**Solamente para propósito de Argentina:  
Black & Decker Arg. S.A.  
Pacheco Trade Center  
Colectora Este de Ruta Panamericana  
Km. 32.0 El Talar de Pacheco  
Partido de Tigre  
Buenos Aires (B1618FBQ)  
República de Argentina  
No. de Importador: 1146/66**

**Made in Czee Republic  
Hecho en República Checa**