
DEWALT®

WWW.DEWALT.COM

D25960
D25961

English (original)	5
中文 (简体)	11
中文 (繁體)	16
한국어	22
ภาษาไทย	29
BAHASA INDONESIA	35

Figure 1

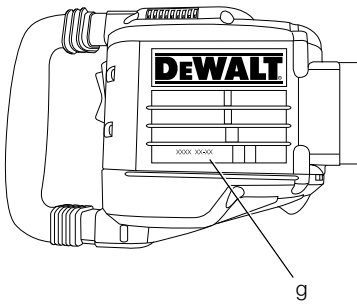
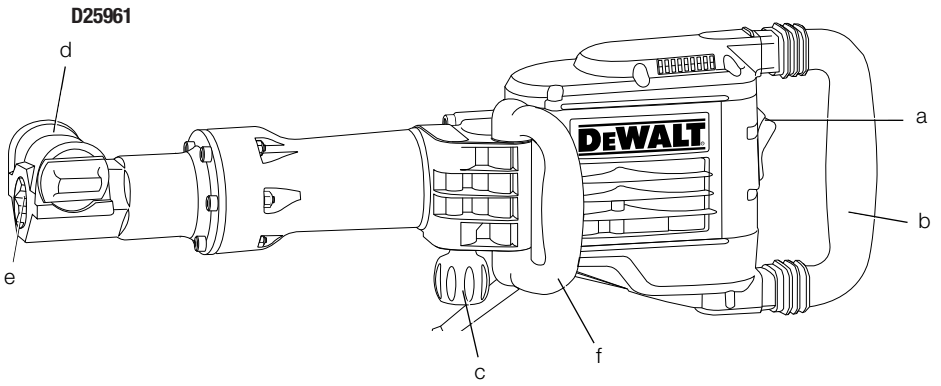
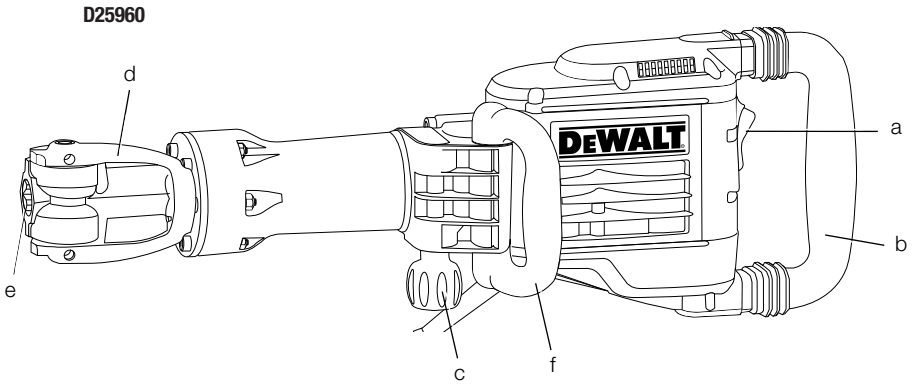


Figure 2A

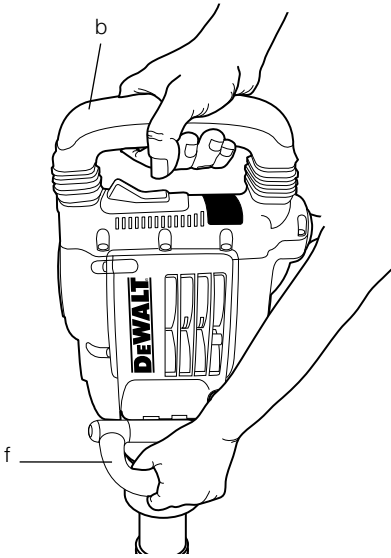


Figure 2B

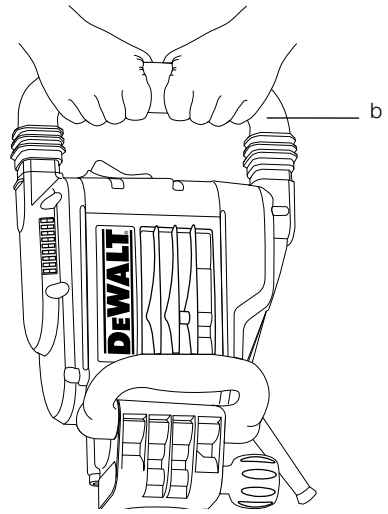


Figure 3

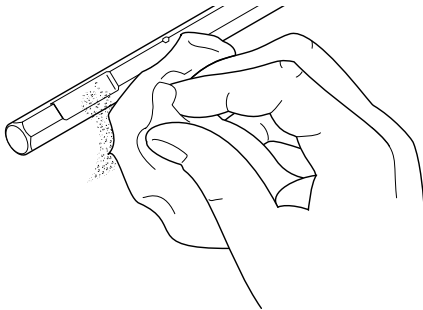


Figure 4A

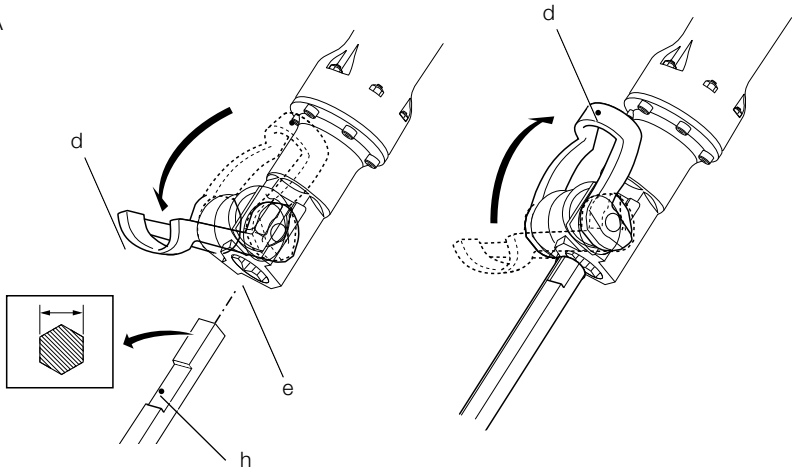


Figure 4B

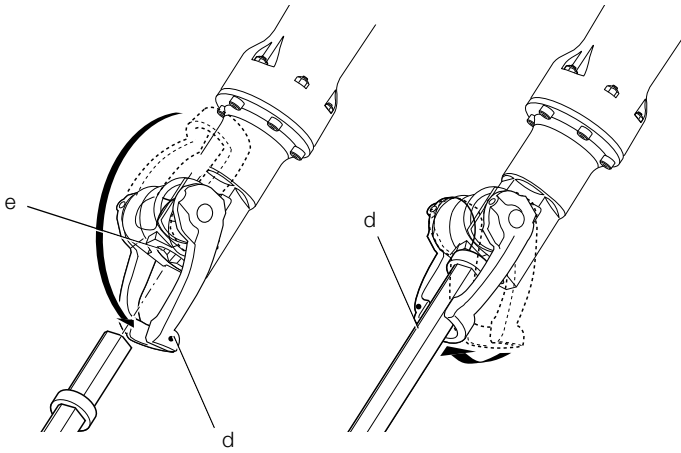


Figure 4C

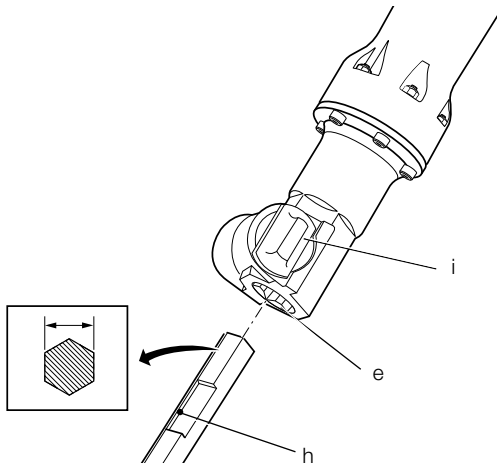


Figure 5

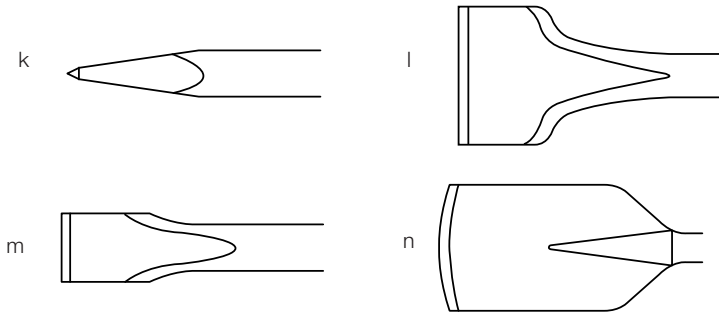
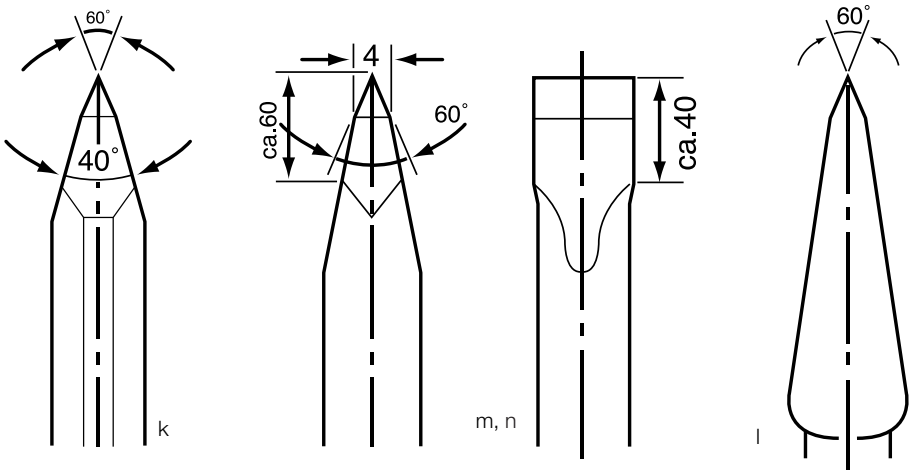


Figure 5



DEMOLITION HAMMER D25960, D25961

Congratulations!

You have chosen a DEWALT power tool. Years of experience, thorough product development and innovation make DEWALT one of the most reliable partners for professional power tool users.

Technical Data

		D25960	D25961
Voltage	V	220-240	220-240
Type		1	1
Frequency	Hz	50/60	50/60
Power input	W	1600	1600
Impact rate	min ⁻¹	1450	1450
Single impact energy acc to EPTA 05/2009	J	35	35
Tool holder		28 mm Hex	30 mm Hex
Chisel positions		1	1
Weight	kg	18.4	16.9

Definitions: Safety Guidelines

The definitions below describe the level of severity for each signal word. Please read the manual and pay attention to these symbols.



DANGER: Indicates an imminently hazardous situation which, if not avoided, **will result in death or serious injury.**



WARNING: Indicates a potentially hazardous situation which, if not avoided, **could result in death or serious injury.**



CAUTION: Indicates a potentially hazardous situation which, if not avoided, **may result in minor or moderate injury.**

NOTICE: Indicates a practice **not related to personal injury** which, if not avoided, **may result in property damage.**



Denotes risk of electric shock.



Denotes risk of fire.



WARNING: To reduce the risk of injury, read the instruction manual.

General Power Tool Safety Warnings



WARNING! Read all safety warnings and instructions Failure to follow the warnings and instructions may result in electric shock, fire and/or serious injury.

SAVE ALL WARNINGS AND INSTRUCTIONS FOR FUTURE REFERENCE

The term "power tool" in the warnings refers to your mains-operated (corded) power tool or battery-operated (cordless) power tool.

1) WORK AREA SAFETY

- Keep work area clean and well lit.** Cluttered or dark areas invite accidents.
- Do not operate power tools in explosive atmospheres, such as in the presence of flammable liquids, gases or dust.** Power tools create sparks which may ignite the dust or fumes.
- Keep children and bystanders away while operating a power tool.** Distractions can cause you to lose control.

2) ELECTRICAL SAFETY

- Power tool plugs must match the outlet. Never modify the plug in any way. Do not use any adapter plugs with earthed (grounded) power tools.** Unmodified plugs and matching outlets will reduce risk of electric shock.
- Avoid body contact with earthed or grounded surfaces such as pipes, radiators, ranges and refrigerators.** There is an increased risk of electric shock if your body is earthed or grounded.
- Do not expose power tools to rain or wet conditions.** Water entering a power tool will increase the risk of electric shock.
- Do not abuse the cord. Never use the cord for carrying, pulling or unplugging**

the power tool. Keep cord away from heat, oil, sharp edges or moving parts.

Damaged or entangled cords increase the risk of electric shock.

- e) **When operating a power tool outdoors, use an extension cord suitable for outdoor use.** *Use of a cord suitable for outdoor use reduces the risk of electric shock.*
- f) **If operating a power tool in a damp location is unavoidable, use a residual current device (RCD) protected supply.** *Use of an RCD reduces the risk of electric shock.*

3) PERSONAL SAFETY

- a) **Stay alert, watch what you are doing and use common sense when operating a power tool. Do not use a power tool while you are tired or under the influence of drugs, alcohol or medication.** *A moment of inattention while operating power tools may result in serious personal injury.*
- b) **Use personal protective equipment. Always wear eye protection.** *Protective equipment such as dust mask, non-skid safety shoes, hard hat, or hearing protection used for appropriate conditions will reduce personal injuries.*
- c) **Prevent unintentional starting. Ensure the switch is in the off position before connecting to power source and/or battery pack, picking up or carrying the tool.** *Carrying power tools with your finger on the switch or energising power tools that have the switch on invites accidents.*
- d) **Remove any adjusting key or wrench before turning the power tool on.** *A wrench or a key left attached to a rotating part of the power tool may result in personal injury.*
- e) **Do not overreach. Keep proper footing and balance at all times.** *This enables better control of the power tool in unexpected situations.*
- f) **Dress properly. Do not wear loose clothing or jewellery. Keep your hair, clothing and gloves away from moving parts.** *Loose clothes, jewellery or long hair can be caught in moving parts.*
- g) **If devices are provided for the connection of dust extraction and collection facilities, ensure these are connected and properly used.** *Use of dust collection can reduce dust-related hazards.*

4) POWER TOOL USE AND CARE

- a) **Do not force the power tool. Use the correct power tool for your application.** *The correct power tool will do the job*

better and safer at the rate for which it was designed.

- b) **Do not use the power tool if the switch does not turn it on and off.** *Any power tool that cannot be controlled with the switch is dangerous and must be repaired.*
- c) **Disconnect the plug from the power source and/or the battery pack from the power tool before making any adjustments, changing accessories, or storing power tools.** *Such preventive safety measures reduce the risk of starting the power tool accidentally.*
- d) **Store idle power tools out of the reach of children and do not allow persons unfamiliar with the power tool or these instructions to operate the power tool.** *Power tools are dangerous in the hands of untrained users.*
- e) **Maintain power tools. Check for misalignment or binding of moving parts, breakage of parts and any other condition that may affect the power tool's operation. If damaged, have the power tool repaired before use.** *Many accidents are caused by poorly maintained power tools.*
- f) **Keep cutting tools sharp and clean.** *Properly maintained cutting tools with sharp cutting edges are less likely to bind and are easier to control.*
- g) **Use the power tool, accessories and tool bits etc., in accordance with these instructions taking into account the working conditions and the work to be performed.** *Use of the power tool for operations different from those intended could result in a hazardous situation.*

5) SERVICE

- a) **Have your power tool serviced by a qualified repair person using only identical replacement parts.** *This will ensure that the safety of the power tool is maintained.*

Additional Safety Instructions for Demolition Hammers

- **Wear ear protectors.** *Exposure to noise can cause hearing loss.*
- **Use auxiliary handles supplied with the tool.** *Loss of control can cause personal injury.*
- **Hold power tools by insulated gripping surfaces when performing an operation where the cutting tool may contact hidden wiring or its own cord.** *Cutting accessory Contacting a "live" wire may make exposed*

metal parts of the tool “live” and shock the operator.

- Be certain that the material being drilled does not conceal electric or gas service and that their locations have been verified with the utility companies.
- Keep a firm grip on the tool at all times. Do not attempt to operate this tool without holding it with both hands. Operating this tool with one hand will result in loss of control. Breaking through or encountering hard materials such as re-bar may be hazardous as well. Tighten the side handle securely before use.
- Ensure the chisel is secured in place before operating the tool.
- In cold-weather conditions or when the tool has not been used for a longer period of time, let the tool run with no load for several minutes before use.
- When working above ground level ensure the area below is clear.
- Do not touch the chisel or the parts close to the chisel immediately after operation, as they may be extremely hot and cause burns to the skin.
- Always direct the power cable to the rear, away from the chisel.
- **Do not operate this tool for long periods of time.** Vibration caused by hammer action may be harmful to your hands and arms. Use gloves to provide extra cushion and limit exposure by taking frequent rest periods.

Residual Risks

The following risks are inherent to the use of demolition hammers:

- Injuries caused by touching the hot parts of the tool.

In spite of the application of the relevant safety regulations and the implementation of safety devices, certain residual risks cannot be avoided. These are:

- Impairment of hearing.
- Risk of squeezing fingers when changing the accessory.
- Health hazards caused by breathing dust developed when working in concrete and/or masonry.

Markings on Tool

The following pictograms are shown on the tool:



Read instruction manual before use.

DATE CODE POSITION (FIG. 1)

The Date Code (g), which also includes the year of manufacture, is printed into the housing.

Example:

2011 XX XX

Year of Manufacture

Package Contents

The package contains:

- 1 Demolition hammer
- 1 Side handle
- 1 Pointed chisel
- 1 Plastic case
- 1 Instruction manual
- Check for damage to the tool, parts or accessories which may have occurred during transport.
- Take the time to thoroughly read and understand this manual prior to operation.

Description (fig. 1)

- a. On/off switch
- b. Main handle
- c. Side handle clamping knob
- d. Tool retainer
- e. Tool holder
- f. Side handle

INTENDED USE

The D25960, D25961 heavy-duty demolition hammers are designed for heavy-duty demolition and breaking applications.

DO NOT use under wet conditions or in presence of flammable liquids or gases.

These heavy-duty demolition hammers are professional power tools.

DO NOT let children come into contact with the tool. Supervision is required when inexperienced operators use this tool.

Active Vibration Control

The active vibration control neutralises rebound vibration from the hammer mechanism. Lowering hand and arm vibration, it allows more comfortable use for longer periods of time and extends the life of the unit.

Electrical Safety

The electric motor has been designed for one voltage only. Always check that the power supply corresponds to the voltage on the rating plate.



Your DEWALT tool is double insulated in accordance with EN 60745; therefore no earth wire is required.

If the supply cord is damaged, it must be replaced by a specially prepared cord available through the DEWALT service organization.

Using an Extension Cable

If an extension cable is required, use an approved 3-core extension cable suitable for the power input of this tool (see technical data). The minimum conductor size is 1.5 mm²; the maximum length is 30 m.

When using a cable reel, always unwind the cable completely.

ASSEMBLY AND ADJUSTMENT



WARNING: To reduce the risk of injury, turn unit off and disconnect machine from power source before installing and removing accessories, before adjusting or changing set-ups or when making repairs. Be sure the trigger switch is in the OFF position. An accidental start-up can cause injury.



WARNING: Always wear gloves when changing accessories. The exposed metal parts on the tool and accessory may become extremely hot during operation.

Inserting and Removing 28/30 mm Hex Accessories (fig. 3, 4)

D25960

This machine uses chisels with a 28 mm hex shank.

D25961

This machine uses chisels with a 30 mm hex shank.

Only DEWALT recommended accessories should be used with this product.

1. Clean the chisel shank (Fig. 3).

D25960

TO FIT A CHISEL WITH GROOVE IN THE SHANK (FIG. 4A)

1. Pull the tool retainer (d) to the unlock position.
2. Hold the chisel in front of the tool holder with the groove (h) facing upwards.
3. Insert the chisel shank into the tool holder (e).
4. Push the retainer (d) backwards to lock the accessory in position.
5. Pull on the chisel to check if it is properly locked. The hammering function requires the chisel to be able to move axially several centimetres when locked in the tool holder.
6. To remove a chisel pull back the retainer (d) and pull the chisel out of the tool holder (e).

TO FIT A CHISEL WITH COLLAR ON THE SHANK (FIG. 4B)

1. Pull the tool retainer (d) to the unlock position.
2. Insert the chisel shank into the tool holder (e).
3. Push the retainer (d) in line with the accessory shank to lock the accessory in position.
4. Pull on the chisel to check if it is properly locked. The hammering function requires the chisel to be able to move axially several centimetres when locked in the tool holder.
5. To remove a chisel pull back the retainer (d) and pull the chisel out of the tool holder (e).

D25961

TO FIT A CHISEL WITH GROOVE IN THE SHANK (FIG. 4C)

1. Pull the retainer bolt (i) and turn it by 180° to the unlock position.
2. Hold the chisel in front of the tool holder with the groove (h) facing upwards.
3. Insert the chisel shank into the tool holder (e).
4. Pull the retainer bolt (i) and turn it by 180° back to the lock position.
5. Pull on the chisel to check if it is properly locked. The hammering function requires the chisel to be able to move axially several centimetres when locked in the tool holder.
6. To remove a chisel pull the retainer bolt (i) and turn it by 180° to the unlock position.

Adjusting the Side Handle (fig. 1)

The side handle (f) is assembled on the machine to suit both RH- and LH-users



WARNING: Always operate the machine with the side handle properly mounted.

1. Loosen the clamp knob (c) and rotate the side handle to the desired position.
3. Lock the side handle in place by tightening the clamp knob (c).

OPERATION

Instructions for Use



WARNING:

- Always observe the safety instructions and applicable regulations.
- Be aware of the location of pipework and wiring.
- Apply a pressure of approx. 20 - 30 kg to the tool. Excessive force does not speed up chiselling but decreases tool performance and may shorten tool life.

Proper Hand Position (fig. 2)



WARNING: To reduce the risk of serious personal injury, **ALWAYS** use proper hand position as shown.



WARNING: To reduce the risk of serious personal injury, **ALWAYS** hold securely in anticipation of a sudden reaction.

IMPORTANT: The tool must be held with two hands at all times when in use.

Horizontal applications (fig. 2A):

Proper hand position requires one hand on the side handle (f) and the other hand on the main handle (b).

Vertical applications (fig. 2B):

Proper hand position requires both hands on the main handle (b).

Switching On and Off (fig. 1)

Switching on: set the on/off switch (a) to position 1.

Switching off: set the on/off switch (a) to position 0.

Demolition, Chasing and Channelling (fig. 1, 2)

1. Select the appropriate chisel, and clean its shank.
2. Insert the chisel and check whether it is properly locked.
3. Fit and adjust the side handle (f) and make sure it is firmly tightened.

4. Hold the tool with two hands on the main handle (b) or one hand on the main handle (b) and one hand on the side handle (f). The tool must be held with two hands at all times when in use. Refer to **Proper Hand Position**.
5. Switch on tool to run in continuous operation.
6. Always switch off the tool when work is finished and before unplugging.

Various types of chisels are available as an option.

Only DEWALT recommended accessories should be used with this product.

MAINTENANCE

Your DEWALT power tool has been designed to operate over a long period of time with a minimum of maintenance. Continuous satisfactory operation depends upon proper tool care and regular cleaning.

This machine is not user-serviceable. Take the tool to an authorised DEWALT repair agent periodically. If problems occur before this time contact an authorised DEWALT repair agent.

Accessory Maintenance (fig. 5,6)



WARNING: These chisels can be reground only a limited number of times. If in doubt, contact your dealer for recommendations.



WARNING: Ensure that the cutting edge does not show discolouration caused by too much pressure. This may impair the hardness of the accessory.

For the best results only use sharp chisel bits. Sharpening chisel bits frequently will guarantee long life of the chisel bits and the best performance results.

GRINDING

Refer to figure 5 for the types of chisels to use with this tool.

Grind the chisels on grinding discs with continuous water flow. Refer to figure 6 for the appropriate angles of the following chisels:

- k. pointed chisel
- l. flat chisel
- m. wide scaling chisel
- n. clay spade

FORGING

For forging:

Heat the chisel to 850–1050°C (light red–yellow).

To harden the chisel again:

- Heat the chisel to 900°C and quench it in oil.
- Then place the chisel into the oven for 1 hour at 320°C (color is light blue).



Lubrication

Your power tool requires no additional lubrication.



Cleaning



WARNING: Blow dirt and dust out of the main housing with dry air as often as dirt is seen collecting in and around the air vents. Wear eye protection when performing this procedure.



WARNING: Never use solvents or other harsh chemicals for cleaning the non-metallic parts of the tool. These chemicals may weaken the materials used in these parts. Use a cloth dampened only with water and mild soap. Never let any liquid get inside the tool; never immerse any part of the tool into a liquid.

Optional Accessories



WARNING: Since accessories, other than those offered by DEWALT, have not been tested with this product, use of such accessories with this tool could be hazardous. To reduce the risk of injury, only DEWALT recommended accessories should be used with this product.

Consult your dealer for further information on the appropriate accessories.

Protecting the Environment



Separate collection. This product must not be disposed of with normal household waste.

Should you find one day that your DEWALT product needs replacement, or if it is of no further use to you, do not dispose of it with household waste. Make this product available for separate collection.



Separate collection of used products and packaging allows materials to be recycled and used again. Re-use of recycled materials helps prevent environmental pollution and reduces the demand for raw materials.

Local regulations may provide for separate collection of electrical products from the household, at municipal waste sites or by the retailer when you purchase a new product.

DEWALT provides a facility for the collection and recycling of DEWALT products once they have reached the end of their working life. To take advantage of this service please return your product to any authorised repair agent who will collect them on our behalf.

You can check the location of your nearest authorised repair agent by contacting your local DEWALT office at the address indicated in this manual. Alternatively, a list of authorised DEWALT repair agents and full details of our after-sales service and contacts are available on the Internet at: www.2helpU.com.

电镐 D25960, D25961

恭喜！

恭喜您选择了DeWALT工具。多年的经验和深入的产品开发创新使DeWALT成为专业电动工具使用者最可靠的合作伙伴之一。

技术性数据

		D25960	D25961
电压	V	220	220
型号		1	1
频率	Hz	50	50
输入功率	W	1600	1600
冲击率（每分钟）	min ⁻¹	1450	1450
冲击能量（EPTA 05/2009）	J	35	35
镐头类型		28 mm 六角	30 mm 六角
凿子位置		1	1
重量	kg	18.4	16.9

定义：安全方针

高度关注每个信号词所定义的警示内容。请仔细阅读说明手册，并注意警示符号的出现



危险：表示存在紧迫的危险情况，如果不加以避免，则可能导致**死亡或严重伤害**。



警告：表示存在潜在的危险情况，如果不加以避免，则可能导致**死亡或严重伤害**。



注意：表示存在潜在的危险情况，如果不加以避免，则可能导致**轻微或中等伤害**。

小心：表示**不涉及人身伤害**的做法，如果不避免，可能导致**财产损失**。



表示存在触电的危险。



表示存在火灾的危险。



警告：为降低受伤风险，敬请仔细阅读以下描述。

电动工具通用安全警告



警告！阅读所有警告和所有说明。不遵照以下警告和说明会导致电击、着火和/或严重伤害。

保存所有警告和说明书以备查阅。

在所有下列的警告中术语“电动工具”指市电驱动（有线）电动工具或电池驱动（无线）电动工具。

1) 工作场地的安全

- 保持工作场地清洁和明亮。**混乱和黑暗的场地会引发事故。
- 不要在易爆环境，如有易燃液体、气体或粉尘的环境下操作电动工具。**电动工具产生的火花会点燃粉尘或气体。
- 让儿童和旁观者离开后操作电动工具。**注意力不集中会使操作者失去对工具的控制。

2) 电气安全

- 电动工具插头必须与插座相配。绝不能以任何方式改装插头。**需接地的电动工具不能使用任何转换插头。未经改装的插头和相配的插座将减少电击危险。
- 避免人体接触接地表面，如管道、散热片和冰箱。**如果你身体接地会增加电击危险。
- 不得将电动工具暴露在雨中或潮湿环境中。**水进入电动工具将增加电击危险。
- 不得滥用电线。绝不能用电线搬运、拉动电动工具或拔出其插头。**使电线远离热源、油、锐边或运动部件。受损或缠绕的软线会增加电击危险。
- 当在户外使用电动工具时，使用适合户外使用的外接软线。**适合户外使用的软线将减少电击危险。

- f) 如果在潮湿环境下操作电动工具是不可避免的，应使用剩余电流动作保护器(RCD)。使用RCD可减少电击危险。

3) 人身安全

- a) 保持警觉，当操作电动工具时关注所从事的操作并保持清醒。当你感到疲倦、或在有药物、酒精或治疗反应时，不要操作电动工具。在操作电动工具时瞬间的疏忽会导致严重人身伤害。
- b) 使用个人防护装备。始终佩戴护目镜。安全装置，诸如适当条件下使用防全面具、防滑安全鞋、安全帽、听力防护等装置能减少人身伤害。
- c) 防止意外起动。确保开关在连接电源和/或电池盒、拿起或搬运工具时处于关断位置。手指放在已接通电源的开关上或开关处于接通时插入插头可能会导致危险。
- d) 在电动工具接通之前，拿掉所有调节钥匙或扳手。遗留在电动工具旋转零件上的扳手或钥匙会导致人身伤害。
- e) 手不要伸展得太长，时刻注意立足点和身体平衡。这样在意外情况下能更好地控制电动工具。
- f) 着装适当。不要穿宽松衣服或佩戴饰品。让你的衣服、手套和头发远离运动部件。宽松衣服、佩饰或长发可能会卷入运动部件中。
- g) 如果提供了与排屑、集尘设备连接用的装置，要确保他们连接完好且使用得当。使用这些装置可减少尘屑引起的危险。

4) 电动工具的使用和注意事项

- a) 不要滥用电动工具。根据用途使用适当的电动工具。选用适当设计的电动工具会使你工作更有效、更安全。
- b) 如果开关不能接通或关断工具电源，则不能使用该电动工具。不能用开关来控制的电动工具是危险的且必须进行修理。
- c) 在进行任何调节、更换附件或贮存电动工具之前，必须从电源上拔掉插头和/或使电池盒与工具脱开。这种防护性措施将减少工具意外起动的危险。
- d) 将闲置不用的电动工具贮存在儿童所及范围之外，并且不要让不熟悉电动工具或对这些说明不了解的人操作电动工具。电动工具在未经培训的用户手中是危险的。
- e) 保养电动工具。检查运动部件是否调整到位或卡住，检查零件破损情况和影响电动工具运行的其他状况。如有损坏，电动工具应在使用前修理好。许多事故由维护不良的电动工具引发。

- f) 保持切削刀具锋利和清洁。保养良好的有锋利切削刃的工具不易卡住而且容易控制。
- g) 按照使用说明书，考虑作业条件和进行的作业来使用电动工具、附件和工具的刀头等。将电动工具用于那些与其用途不符的操作可能会导致危险。

5) 维修

- a) 将你的电动工具送交专业维修人员，使用同样的配件进行修理。这样将确保所维修的电动工具的安全性。

其他的安全说明

- 戴好耳罩。暴露在噪声中会引起听力损伤。
- 使用随工具提供的辅助手柄。操作失手会引起人身伤害。
- 在切削附件可能触及暗线或其自身软线之处进行操作时，要通过绝缘握持面来握持工具。切削附件碰到带电导线会使工具外露的金属零件带电从而使操作者受到电击。
- 确定被钻的材料为非隐藏电火煤气的服务设施，同时其位置已经得到电力和煤气公司的确认。
- 自始至终紧握本工具。切勿尝试在未用双手握住这一工具时对其进行操作。用一只手操作此工具可能导致失控。突破或遭遇像钢筋这样的硬材料时也同样可能具有危险性。使用前须将侧手柄紧固。
- 在操作本工具前，确保该凿子已经被牢固地锁定在位。
- 在寒冷天气，或者本工具已经在较长时间未使用时，在使用本工具前，让它无负载运转数分钟。
- 在高于地面的水平作业时，确保下方的区域清洁。
- 作业后切勿立即触摸凿子或凿子附近的部件，因为它们可能非常烫，同时可能引起皮肤的灼伤。
- 自始至终将电源线指向其后部，远离凿子。
- 禁止长时间操作本工具。电锯的运动所引起的振动可能会伤害您的手和胳膊。使用手套会提供额外的缓冲，频繁的休息也能限制伤害。

其他危险

本电锯还具有下列固有危险：

- 由触摸发热部件引起的伤害。

尽管采用了相关的安全规章，同时实施了安全装置，某些其他危险仍然无法避免。这些危险是：

- 听力损伤。
 - 更换附件时挤压手指的危险。
- 由吸入在混凝土和/或石造建筑作业中产生的粉尘所引起的健康危害。

工具上的标识

工具有下列标志：



使用前敬请阅读产品描述。

日期编码位置(图 1)

日期编码(g)，它同样包括印在外壳上的制造日期。例如：

2011 XX XX
制造日期

包装内容

本包装包含：

- 1 电镐
- 1 侧手柄
- 1 尖头凿子
- 1 塑料箱
- 1 描述

- 检查本工具、部件或附件在运输期间可能已经发生的损伤。
- 操作前仔细阅读和理解。

说明(图1)

- a. 开关
- b. 主手柄
- c. 侧手柄夹紧旋钮
- d. 工具定位器
- e. 工具夹
- f. 侧手柄

预期用途

D25960, D25961 重型电镐设计用于重型拆除与破拆应用。

切勿在潮湿状态，或在有易燃液体或气体的情况下使用。

这些重型电镐为专业电动工具。

请勿让孩子接触本工具。无经验的操作人员使用本工具时需要进行监督。

有效震动控制

主动震动控制将来自锤机制的反弹振动加以中和。通过降低对手臂和手掌的振动，它能够更加舒适地长期使用，同时延长此工具的使用寿命。

电器安全

电动机只有一个工作电压。请务必检查电池组的电压是否和铭牌上的电压一致。



您的 DeWALT 工具按 EN60745 双重绝缘，因此无需接地线。

电源线损坏时必须用 DeWALT 服务机构专门制备的电线更换。

使用延长线：

如果要求延长导线，采用经过批准，适用于本工具功率输出的 3 芯延长电导线(见技术性数据)。导线的最小尺寸为 1.5 mm²，最大长度为 30 m。

当使用电缆卷筒，请务必完全卷出电缆。

组装和调试



警告：为降低受伤风险，在附件的安装与拆除前，调整或更换设置前或进行修理时，**必须将机器从电源上关闭**。确保触发开关处于关闭位置。意外启动可能会导致伤害。



警告：每次更换附件时必须带上手套。本工具与附件上暴露的金属部件在操作期间可能会变得极其炎热。

插入/拆除 28/30 mm 六角配件(图 3, 4)

D25960

本设备使用 28 mm 六角柄的凿子。

D25961

本设备使用 30 mm 六角柄的凿子。

只能将 DeWALT 推荐的附件用于本产品。

1. 清洁凿柄(图 3)。

D25960

将带槽凿子装进凿柄(图 4A)。

1. 拉出本工具定位器(d)至解锁位置。
2. 在带槽工具夹(h)前面握住凿子，面朝上。
3. 将凿柄插进工具夹(e)。

4. 将定位器 (d) 向后推将该附件锁定到位。
5. 拉动凿子检查它是否已经被恰当锁定。锤功能要求当凿子被锁定在工具夹中时，能够轴向移动数厘米。
6. 拆除凿子时，将定位器 (d) 拉回，同时将凿子从工具夹(e)中拉出。

将带槽凿子装进凿柄 (图 4B)。

1. 将本工具定位器 (d) 拉出解锁位置。
2. 将凿柄插进工具夹 (e)。
3. 将定位器 (d) 向后推，将该附件锁定到位。
4. 将凿子向外拉，检查它是否已经被恰当锁定。电镐功能要求凿子在锁定进工具夹时能够轴向移动数厘米。
5. 拆除凿子时，将定位器(d)拉回，同时将凿子从工具夹(e)中拉出。

D25961

将带槽凿子装进凿柄 (图 4C)。

1. 将定位器螺栓(i)拉出，然后将其旋转180°至解锁位置。
2. 在带槽工具夹(h)前面握住凿子，面朝上。
3. 将凿柄插进工具夹 (e)。
4. 将定位器螺栓拉出(i)，然后将其旋转180°回到解锁位置。
5. 拉动凿子检查它是否已经恰当锁定。电镐功能要求当凿子被锁定在工具夹中时，能够轴向移动数厘米。
6. 拆除凿子时，将定位器螺栓(i)拉出，然后将其旋转180°至解锁位置。

调节侧手柄 (图 1)

侧手柄 (f) 安装在该器械上以适应右手或左手使用者。



警告：自始至终都要在侧手柄装好的状态下操作本工具。

1. 将夹紧旋钮(c)拧松，将侧手柄旋转至期望的位置。
2. 拧紧夹紧旋钮将侧手柄锁定(c)。

操作

使用说明



警告：

- 请务必遵守安全说明和适用的法规。
- 小心管道和电线的位置。

- 给本工具施加约20-30kg的压力。过大的力并不会加速凿运作，但是会降低工具的性能，并且缩短工具的使用寿命。

正确的手持方式 (图 2)



警告：为了减少严重人身伤害的危险，请务必使用如图所示的正确的手持方式。



警告：为了减少严重人身伤害的风险，请务必紧握住工具以防突发状况。

重要提示：使用本工具时，必须自始至终用两只手握住工具。

横向往应用(图 2A)：

恰当的手位置要求一只手握住侧手柄(f)，同时用另一只手握住主手柄 (b)。

垂直应用(图 2B)：

恰当的手位置要求双手握住主手柄 (b)。

开关开启与关闭 (图 1)

开启：将电源开关 (a) 打开至1的位置。

关闭：将电源开关 (a) 设置到0的位置。

破除、凿和开槽运作(图 1, 2)

1. 选择恰当的凿子，图示清洁凿柄。
2. 插入凿子，并检查它是否已经被恰当锁定。
3. 安装和调节侧手柄(f)，同时确保它已经被牢牢拧紧。
4. 用两只手在主手柄(b)上握住本工具或一只手握住主手柄(b)，另一只握住侧手柄(f)。使用本工具时，必须自始至终将两只手将其握住。参见“恰当的手位置”章节。
5. 打开开关，使工具连续运转。
6. 作业完成或拔出插头前，必须先将本工具电源关闭。

各种类型的凿子可供选择。应当只将DeWALT推荐的附件用于本产品本产品。

维护

您的DeWALT电动工具设计精良，可以长期使用，只需最低限度的维护。适当地维护和清洁工具，将保持连续的安全使用。

请不要自行维护工具。定期将本工具送到经过授权的DEWALT修理代理商。如果在这一时间前出现故障，请联系经过授权的DeWALT修理代理商。

附件维护保养 (图 5, 6)



警告： 这些凿子被打磨的次数是有限的。如有疑问，请联系您的经销商获取建议。



警告： 确保切割部位未显示压力过大导致的变色。这可能影响该附件的硬度。

为取得最佳效果，只能使用锋利的凿头。频繁打磨凿头可保证凿头的使用寿命长，获得最佳的结果。

打磨

有关本工具锁使用的凿子类型，请参见图5。

在带有连续水流的砂轮盘上对凿子进行打磨。欲获取以下凿子恰当的角度，请参见图6：

- k) 尖凿子
- l) 平凿子
- m) 宽幅铲锈凿子
- n) 泥铲凿

锻造

用于锻造

即将凿子加热至850–1050°C（淡红–黄色）。

如欲将凿子再次硬化：

- 将凿子加热至900°C，然后用油淬火。
- 然后将凿子放进320°C的炉子一小时（颜色为淡蓝色）。



润滑

您的电动工具无需另行润滑。



清洁



警告： 通风口和周围积聚可见的粉尘时，请用干燥的空气吹走主机外壳内的粉尘和灰尘。执行此过程时，需戴上护目装备。



警告： 切勿使用溶剂或其他烈性化学制品来清洁工具的非金属零件。这些化学物质可能会削弱这些部位使用的材料。请用布蘸温和的肥皂水擦拭。切勿让任何液体进入工具，禁止让工具的任何部分在液体中浸泡。

可选附件



警告： 由于除了DeWALT提供的附件，其他附件都未经此产品兼容性测试，本工具若使用此类附件将存在安全隐患。为了减少受伤的风险，本产品只可使用DeWALT推荐的配件。

请向您的经销商咨询更多关于合适配件的信息。

环境保护



分类回收。该产品不能与普通生活垃圾一起处理。

如果有一天您发现您的DeWALT产品需要更换，或不能继续使用，禁止把它和生活垃圾一起处理。请单独分类回收。



使用过的产品和包装的分类回收能够得以再循环和再利用。再生材料的再利用有助于防止环境污染，并降低对原材料的需求。

市政废物处理场或您购买新产品的零售商处，地方性法规可能要求电器产品和生活垃圾分开回收。

DeWALT提供设施收集和回收使用寿命到期的DeWALT产品。要充分利用这项服务，请将产品返回任何授权的维修代理，他们将代表我们回收您的产品。

您可以在本手册查找离您最近的授权维修代理的位置，与本手册注明的当地DeWALT办事处联系。另外，也可以登陆以下网址查看授权DeWALT维修代理商清单，以及我们的售后服务的详细资料和联系方式：

www.2helpU.com

制造商：Stanley Black & Decker Deutschland GmbH
地 址：Black & Decker Str.40 65510 Idstein, 德国
产 地：意大利

鑿破機 D25960, D25961

恭喜閣下！

感謝您選購 DEWALT 電動工具。憑藉多年的產品開發和創新經驗，DEWALT 已成為專業電動工具使用者最信賴的夥伴。

技術資料

		D25960	D25961
電壓	伏特	110	110
類型		1	1
頻率	Hz	50	60
電源輸入	瓦特	1600	1600
震動率	min ⁻¹	1450	1450
震動能量 (EPTA 05/2009)	J	35	35
工具固定器		28 公釐六角	30 公釐六角
夾頭尺寸		1	1
重量	千克	18.4	16.9

定義：安全指南

以下定義描述了每一個詞彙的嚴厲程度。請閱讀該手冊並注意這些符號。



危險：表示緊急危險情況，若未能避免，將導致死亡或嚴重傷害。



警告：表示潛在危險情況，若未能避免，可能導致死亡或嚴重傷害。



小心：表示潛在危險情況，若未能避免，可能導致輕微或中度傷害。

注意：表示一種非人身傷害的行為，若未能避免，可能導致財產損失。



表示觸電危險。



表示火災危險。



警告：為了降低受傷的風險，必須仔細閱讀使用手冊。

電動工具一般安全警告



警告！請閱讀所有安全警告及指示。
不遵循這些警告和指示可能會導致觸電、火災及/或嚴重傷害。

請妥善保存所有的警告和使用手冊以備將來查閱

警告中的名詞「電動工具」是指電源驅動（插電）電動工具，或者電池驅動（充電）電動工具。

1) 工作場地安全

- 保持工作場地清潔和明亮。混亂或黑暗的場地會引發事故。
- 不要在易爆環境，如有易燃液體、氣體或塵埃的環境中操作電動工具。電動工具產生的火花會點燃塵埃或氣體。
- 請等待兒童和旁觀者離開之後才操縱電動工具。分心會導致您疏於控制。

2) 電氣安全

- 電動工具插頭必須與插座相符。切勿以任何方式改裝插頭。需接地的電動工具不能使用任何配接器插頭。未經改裝的插頭和相符的插座可以減少觸電危險。

- b) 避免人體接觸接地表面，如管道、散熱片、爐灶和冰箱。若您的身體接地可增加觸電危險。
- c) 不得將電動工具暴露在雨中或潮濕環境中。水進入電動工具會增加觸電危險。
- d) 請勿濫用電線。切勿使用電線來搬運、拉動電動工具或拔出插頭。讓電線遠離熱、油、銳邊或活動部件。受損或纏繞的電線可增加觸電危險。
- e) 若要在戶外使用電動工具，請使用適合戶外使用的延長電線。使用適合戶外使用的電線可減少觸電危險。
- f) 若必須在潮濕場合使用電動工具，請使用漏電保護器（RCD）。使用 RCD 可降低觸電危險。

3) 人身安全

- a) 保持警覺；在操作電動工具時，請留意所執行的操作並按照一般的程式執行。切勿在疲倦，或受到藥物、酒精或治療的影響下操作電動工具。操作電動工具期間注意力分散會導致嚴重人身傷害。
- b) 使用個人防護裝置。始終佩戴護目鏡。防護裝置，例如在適當條件下可使用的防塵面具、防滑安全鞋、安全帽或聽力保護等裝置可減少人身傷害。
- c) 避免意外啟動。連接電源/或電池組、檢取或搬運電動工具之前，請確定開關處於 off（關閉）位置。搬運電動工具時若將手指放在開關上，或是在接通開關電源時插入插頭都會引發危險。
- d) 接通電動工具之前，請卸下所有的調整鑰匙或扳手。遺留在電動工具旋轉零件上的扳手或鑰匙會導致人身傷害。
- e) 不要過度伸張雙手。時刻注意腳下和身體的平衡。如此即可在發生意外的情況下更好地控制電動工具。
- f) 適當穿著。不要穿寬鬆衣服或佩戴飾品。讓您的頭髮、衣服和手套遠離活動部件。寬鬆衣服、佩飾或長髮可能會捲入活動部件。
- g) 若配備用於連接排屑裝置、集塵設備的裝置，請確定正確連接和使用這些裝置。使用集塵設備可減少與塵埃有關的危險。

4) 電動工具的使用與注意事項

- a) 不要超負荷使用電動工具。根據您的用途使用適當的電動工具。使用電動工具在其設計可負荷的應用內，會讓您更有效、更安全地執行工作。
- b) 若開關不能開啟或關閉電源，請勿使用該電動工具。不能用開關來控制的電動工具將存在危險，因此必須進行修理。
- c) 在執行任何調整、更換配件或儲存工具之前，必須從電源上拔掉插頭及/或卸下電池組。這類防護性措施可降低電動工具意外啟動的風險。
- d) 將閒置的電動工具儲存在兒童無法接觸的地方，並且不要讓不熟悉電動工具或對這些使用指示不瞭解的人員操作電動工具。電動工具在未經培訓的使用者手中會發生危險。
- e) 維護電動工具。檢查活動部件是否對準或卡住、破損情況以及是否存在影響電動工具運行的其他情況。若有損毀，必須在使用之前修理電動工具。許多事故都是由於欠缺維護電動工具所導致。
- f) 保持刀具鋒利和清潔。妥善維護、切削鋒利的刀具不會輕易卡住並可更輕鬆控制。
- g) 遵循使用指示以及工作條件和所要執行的工作使用電動工具、配件和工具刀頭等。不按照設計目的使用電動工具會導致危險。

5) 檢修

- a) 本電動工具必須由合格的維修人員並只採用相同的原廠零件來執行檢修。這將確保電動工具的安全性。

鑿破機之附加安全指示

- 請佩戴聽力保護器。噪音會使聽力受損。
- 請使用電鑽隨附的輔助握把。工具失控會導致人身傷害。
- 若在執行操作時切削工具可能會接觸隱藏的電線，請從絕緣握把表面握住電動工具。切削配件若接觸到「帶電」導線，電動工具金屬部件表面也會「帶電」，從而導致操作人員觸電。

- 確保正在鎖開的材料下沒有隱藏任何電線或氣體管道，並與公用事業公司確認它們的位置。
- 時刻緊握工具。必須使用雙手操作本工具。使用單手操作本工具會導致操作失控。刺破或遇到堅硬材料如鋼筋亦會導致危險。使用之前必須扭緊輔助握把。
- 使用之前，確定鑿子鎖定到位。
- 在寒冷環境或長時間未使用本工具時，使用之前讓工具在空載狀態下運行數分鐘。
- 在離地高度工作時確保下方暢通無阻。
- 由於鑿子可能會非常高溫並灼傷皮膚，請勿在操作後立即接觸鑿子或接近鑿子的部件。
- 請務必讓電線遠離鑿子和保持在工具後方。
- **請勿長時間操作此工具。**工具產生的震動可能令您的雙手和手臂受傷。請佩帶手套加強保護，而且經常稍作休息，減少承受的震力。

剩餘風險

使用鑿破機有以下固有危險：

- 接觸工具的高溫部件導致的傷害。

即使應用有關的安全規定並採用安全設備，仍然還有一些無法避免的剩餘風險。包括：

- 聽力受損。
- 更換配件時擠壓手指的危險。
- 在混凝土和/或磚石工作環境下產生的可吸入塵埃對健康的危害。

工具上的標誌

工具上可能會附帶下列圖示：



使用前請閱讀使用手冊。

日期碼位置（圖 1）

日期碼 (g) 也包括製造年份，已經印刷在工具外殼上。

範例：

2011 XX XX

製造年份

套裝內容

本套裝包括：

- 鑿破機一台
- 輔助握把 1 個
- 尖鑿 1 個
- 塑膠工具箱一組
- 使用手冊 1 本

- 檢查工具、部件或配件有否在運送途中損壞。
- 操作前，請抽空徹底地閱讀和掌握本說明書的內容。

說明（圖 1）

- a. 電源開關
- b. 主握把
- c. 輔助握把夾緊旋鈕
- d. 工具定位器
- e. 工具固定器
- f. 輔助握把

設計用途

D25960, D25961 重型鑿破機設計用於重型拆除和鑿破操作用途。

切勿在潮濕有水或存有易燃液體或氣體的環境下使用工具。

這些重型鑿破機是專業的電動工具。

切勿讓兒童接觸工具。經驗不足的操作者必須在指導下才可使用本工具。

震動主動控制

震動主動控制可以減緩錘擊操作帶來的震動。透過減緩雙手和手臂的震動，可讓您舒適地操作較長時間，並延長工具的壽命。

電器安全

電動機只適用一種電壓。請務必檢查電源電壓是否與銘牌一致。



DEWALT 工具根據 EN 60745 進行雙重絕緣，因此不需要使用接地線。

如果電源線損壞，必須使用 DEWALT 維修機構提供的專用電源線取代。

使用延長電纜

若需要使用延長電纜，使用適合本工具電源輸入使用的認證 3 芯延長電纜（參閱技術資料）。導體的最小尺寸為 1.5 mm²；最大長度為 30 m。

使用電纜捲筒時，每次必須把電纜完全展開。

組裝與調整



警告：若要降低傷害危險，請在安裝和移除配件前、調整或變更設定前或進行修理時關閉工具並斷開電源。確保觸發開關處於關閉位置。意外啟動工具會造成傷害。



警告：更換配件時請務必佩帶手套。操作時本工具和配件表面的金屬部件可能會非常高溫。

放進及取出 28/30 mm 六角形配件（圖 3、4）

D25960

本工具使用 28 mm 六角形軸的鑿子。

D25961

本工具使用 30 mm 六角形軸的鑿子。

本產品上只應使用 DEWALT 所推薦的配件。

1. 清潔鑿子軸（圖 3）

D25960

在軸上安裝附有軸槽的鑿子（圖 4A）

1. 將工具定位器 (d) 拉至解鎖位置。
2. 將軸槽 (h) 朝上，將鑿子對準工具定位器。
3. 將鑿子軸插入工具定位器 (e)。
4. 將工具定位器 (d) 推回鎖定位置，鎖定配件。
5. 拉一拉鑿子檢查是否已正確地鎖住。要使用錘擊功能，鑿子需要在工具固定器中鎖定时軸向地移動數公分。

6. 若要取出鑿子，請將定位器 (d) 拉回解鎖位置並將鑿子從工具固定器 (e) 拉出。

在軸上安裝附有調整環的鑿子（圖 4B）

1. 將工具定位器 (d) 拉至解鎖位置。
2. 將鑿子軸插入工具定位器 (e)。
3. 將定位器 (d) 推至與配件軸水平一致，鎖定配件。
4. 拉一拉鑿子檢查是否已正確地鎖住。要使用錘擊功能，鑿子需要在工具固定器中鎖定时軸向地移動數公分。
5. 若要取出鑿子，請將定位器 (d) 拉回解鎖位置並將鑿子從工具固定器 (e) 拉出。

D25961

在軸上安裝附有軸槽的鑿子（圖 4C）

1. 將定位器螺控 (i) 拉出並旋轉 180° 至解鎖位置。
2. 將軸槽 (h) 朝上，將鑿子對準工具定位器。
3. 將鑿子軸插入工具定位器 (e)。
4. 將定位器螺控 (i) 拉出並旋轉 180° 至鎖定位置。
5. 拉一拉鑿子檢查是否已正確地鎖住。要使用錘擊功能，鑿子需要在工具固定器中鎖定时軸向地移動數公分。
6. 若要取出鑿子，請將定位器螺控 (i) 拉出並旋轉 180° 至解鎖位置。

調整輔助握把（圖 1）

輔助握把 (f) 安裝在工具上，右撇子和左撇子均適合使用。



警告：務必在已正確地安裝輔助握把的情況下操作本工具。

1. 鬆開夾緊旋鈕 (c) 並將輔助握把旋轉至所需位置。
2. 轉緊夾緊旋鈕 (c) 鎖定輔助握把。

操作

使用說明



警告：

- 請時刻遵守安全指示和適用的規則。
- 小心水管和電線線路的所在位置。
- 對工具施加大約 20 - 30 千克的力度。過大力度並不會加快鑿的速度，並會降低工具的效能和縮短工具的壽命。

手的正確位置（圖 2）



警告：為降低遭受嚴重人身傷害的風險，務必如圖示那樣正確放置雙手。



警告：為降低遭受嚴重人身傷害的風險，預期有突然反應時務必握緊。

重要：使用時必須時刻以雙手緊握工具。

水平操作（圖 2A）：

正確的雙手放置位置是一隻手放在輔助握把 (f) 上，另一隻手握住主握把 (b)。

垂直操作（圖 2B）：

正確的雙手放置位置是雙手握住主握把 (b)。

開啟和關閉電源（圖 1）

開啟電源：將電源開/關 (a) 撥到位置 1。

關閉電源：將電源開/關 (a) 撥到位置 0。

拆除、鏤刻和開溝（圖 1、2）

1. 選擇適當的鑿子並清潔軸。
2. 安裝鑿子並檢查是否已正確地鎖住。
3. 安裝和調整輔助握把 (f) 並確保已轉緊。
4. 請使用雙手握住主握把 (b) 或一隻手握住主握把 (b)，另一隻手握住輔助握把 (f)。使用時必須時刻以雙手緊握工具。請參閱**手的正確位置**。
5. 開啟工具以持續進行操作。
6. 工作完成後，拔出插頭前請務必關閉工具。

您可選購不同種類的鑿子。

本產品上只應使用 DEWALT 所推薦的配件。

維護

DEWALT 電動工具採用卓越的設計，能夠長時間使用，並且只需最少的維護。若要持續獲得滿意的操作效果，需進行正確的維護和定期的清潔。

本工具不是使用者可檢修的裝置。請將工具定期送往 DEWALT 授權維修中心。如果在此之前工具發生任何問題請聯絡 DEWALT 授權維修中心。

配件維護（圖 5、6）



警告：鑿子只能進行有限度的磨研。如有疑問，請聯絡您的經銷商取得相關建議。



警告：請確保切割邊緣沒有因為過度用力而出現脫色。否則可能損害配件的硬度。

為了達到最好的效果，請僅使用鋒利的鑿頭。經常磨尖鑿頭可確保鑿頭的壽命和達到最好的效果。

打磨

請參閱圖 5 取得本工具可以使用的鑿子種類的資訊。

使用流水在磨盤上打磨鑿子。請參閱圖 6 取得以下鑿子的適當打磨角度的資訊：

- k. 尖鑿
- l. 平鑿
- m. 大型除銹鑿
- n. 泥鏟

鍛造

鍛造：

將鑿子加熱至 850 - 1050°C（淺紅黃色）。

若要再次令鑿子變硬：

- 將鑿子加熱至 900°C 並沉泡在油中。
- 然後將鑿子放進爐灶以 320°C 烘一小時（淺藍色）。



潤滑

本電動工具毋需額外潤滑。



清潔



警告：一旦通風口及其周圍積聚可見的塵埃，請立即使用乾燥的壓縮空氣吹掉主機外殼內的塵埃和灰塵。執行本操作時請佩戴護目鏡。



警告：切勿使用溶劑或其他刺激性化學品來清潔工具的非金屬部件。這些化學品可能削弱零件中使用的材料。只能使用抹布蘸中性肥皂水進行清潔。不要讓任何液體進入工具；不要讓工具的任何部分浸入液體中。

選購配件



警告：由於非 DEWALT 所提供的配件未在本產品上進行過使用測試，在本產品上使用這些附件可能發生危險。為降低傷害危險，在本產品上只應使用 DEWALT 所推薦的配件。

如需進一步瞭解適用配件的相關資訊，請洽詢當地經銷商。

保護環境



個別收集。本產品必須與一般家庭廢物分開處置。



個別收集用過的產品和包裝允許材料再循環利用。重新使用循環利用的材料有助於防止環境污染，並減少原始材料的需求。

當地法規可能要求由市政廢物回收點，或由向您出售新產品的經銷商來提供從家庭中個別收集電子產品的服務。

DEWALT 在其產品使用壽命結束時提供 DEWALT 產品收集和回收利用的便利。若要享受此項服務，請將產品送回任一授權維修處，由其代表我們進行收集。

請根據本手冊上所提供地址與當地 DEWALT 辦事處聯絡，查詢離您最近的授權維修中心所在位置。亦可瀏覽網站查詢 DEWALT 授權維修中心清單和售後服務及聯絡資料之詳細資訊，網址是：
www.2helpU.com。

台灣區總代理
永安實業(股)公司
新北市三重區中山路 286 號

若您發現您的 DEWALT 產品需要進行替換，或您已經不再需要使用這些產品，請不要將它們與家庭廢物一起處置。務必將本產品送往個別收集處。

데몰리션 햄머 D25960, D25961

축하합니다!

디월트 전동 공구를 선택해 주셔서 감사합니다. 디월트는 오랜 경험과 제품 개발 및 혁신을 통해 전문 전동 공구 사용자들이 인정하는 기업으로 자리잡아 왔습니다.

기술 자료

		D25960	D25961
전압	V	220	220
유형		1	1
주파수	Hz	60	60
소비전력	W	1600	1600
분당타격수	min ⁻¹	1450	1450
타격력 (EPTA 05/2009)	J	35	35
공구 홀더		28 mm 육각	30 mm 육각
치출 방향 선택		1	1
무게	kg	18.4	16.9

정의: 안전 지침

다음 정의는 각 경고 문구의 심각도를 설명합니다. 사용 설명서를 읽고 다음 기호들에 유의하십시오.



위험: 절박한 위험 상태를 나타내며, 방지하지 않으면 **사망 또는 심각한 부상을 초래합니다.**



경고: 잠재적 위험 상태를 나타내며, 방지하지 않으면 **사망 또는 심각한 부상을 초래할 수 있습니다.**



주의: 잠재적 위험 상태를 나타내며, 방지하지 않으면 **경미한 부상을 초래할 수 있습니다.**

참고: 신체 부상을 초래하지 않는 행위를 나타내며, 방지하지 않으면 **재산상의 손해가 발생할 수 있습니다.**



감전 위험을 나타냅니다.



화재 위험을 나타냅니다.



경고: 부상 위험을 줄이려면 사용 설명서를 숙지하십시오.

전동 공구에 관한 일반 안전 경고



경고! 안전에 관한 모든 경고 및 지시 사항을 숙지하십시오. 경고 및 지시 사항을 준수하지 않으면 감전, 화재 및/또는 심각한 부상을 초래할 수 있습니다.

항후 참고할 수 있도록 모든 경고 및 지시 사항을 보관해두십시오.

경고에서 사용된 "전동 공구"라는 용어는 주 공급 전원에 의해 전기가 공급되는(코드 있음) 전동 공구 또는 충전식(코드 없음) 전동 공구를 의미합니다.

1) 작업장 안전

- 작업 영역을 철저히 하고 조명을 밝게 유지하십시오.** 혼잡하거나 어두운 작업장에서는 사고가 발생하기 쉽습니다.
- 가연성 액체, 가스 또는 먼지 등이 있는 폭발성 대기에서 전동 공구를 사용하지 마십시오.** 전동 공구에서 먼지나 가스를 발화시킬 수 있는 불꽃이 될 수 있습니다.
- 전동 공구로 작업하는 동안에는 어린이와 주변 사람들이 작업 영역에 가까이 들어오지 못하도록 하십시오.** 주변이 산만해져 통제력을 잃을 수 있습니다.

2) 전기 안전

- a) **전동 공구의 플러그는 콘센트와 형식이 일치해야 합니다. 플러그를 어떤 방식으로든 절대 개조하지 마십시오. 접지된(지면 접지) 전동 공구에 어떤 어댑터 플러그도 사용하지 마십시오.** 개조되지 않은 플러그 및 형식이 일치하는 콘센트를 사용하면 감전 위험이 줄어듭니다.
- b) **파이프, 라디에이터, 렌지 및 냉장고 등과 같이 접지된 표면에 신체가 접촉하지 않도록 하십시오.** 신체가 접지되어 있으면 감전 위험이 높아집니다.
- c) **전동 공구를 비 또는 습한 환경에 노출하지 않도록 주의하십시오.** 전동 공구에 물이 들어가면 감전 위험이 높아집니다.
- d) **코드를 함부로 다루지 마십시오. 코드를 사용하여 전동 공구를 운반하거나 잡아당기거나 플러그를 뽑지 마십시오.** 열, 오일, 날카로운 모서리 또는 움직이는 부품에서 멀리 떨어진 장소에 코드를 보관하십시오. 코드가 손상되거나 얽혀 있으면 감전 위험이 높아집니다.
- e) **전동 공구를 실외에서 사용할 때는 실외 사용에 적합한 연장 코드를 사용하십시오.** 실외 사용에 적합한 코드를 사용하면 감전 위험이 줄어듭니다.
- f) **어쩔 수 없이 습한 장소에서 전동 공구를 사용해야 하는 경우에는 누전 차단기(RCD)로 보호된 전원 공급 장치를 사용하십시오.** RCD를 사용하면 감전 위험이 줄어듭니다.

3) 신체 안전

- a) **전동 공구로 작업할 때는 방심하지 말고 작업에 주의하면서 상식을 따르십시오.** 피곤한 상태이거나 약물, 술, 치료제를 복용한 상태에서는 전동 공구를 사용하지 마십시오. 전동 공구를 사용하는 중에 주의력을 잃어 순간적으로 부상을 당할 수 있습니다.
- b) **신체 보호 장비를 착용하십시오.** 항상 보안경을 착용하십시오. 적합한 상황에서 방진 마스크, 미끄럼 방지 안전화, 안전모 또는 청력 보호 기구 등의 보호 장비를 사용하면 신체 부상 위험이 줄어듭니다.
- c) **도하지 않은 장비 가동 방지. 전원 및/또는 배터리 팩에 연결한 상태로 공구를 선택 또는 운반할 때는 사전에 스위치가 꺼짐 위치에 있는지 반드시 확인하십시오.** 스위치가 꺼짐 위치에 있는 상태에서 스위치에 손가락이 닿은 상태로 전동 공구를 운반하거나 전동 공구에 전원을 공급하면 사고가 발생합니다.
- d) **전동 공구를 켜기 전에 모든 조정 키 또는 렌치를 제거하십시오.** 전동 공구의 회전 부품에 렌치나 키가 부착되어 있으면 부상을 당할 수 있습니다.

- e) **무리하게 팔을 뻗지 마십시오. 항상 올바른 자세로 서서 균형을 유지하십시오.** 그러면 예기치 않은 상황에서 전동 공구에 대한 제어력이 향상됩니다.
- f) **적절한 작업복을 착용합니다.** 헐렁한 옷이나 장신구를 착용하지 마십시오. 머리카락, 옷 및 장갑이 움직이는 부품에 닿지 않도록 유의하십시오. 헐렁한 옷, 장신구 또는 긴 머리가 움직이는 부품에 걸 수 있습니다.
- g) **먼지 배출 및 집진 시설 연결을 위한 장치가 제공된 경우, 이를 장치가 연결되어 적절히 사용되고 있는지 반드시 확인하십시오.** 집진 장치를 사용하면 먼지와 관련된 위험을 줄일 수 있습니다.

4) 전동 공구 사용 및 관리

- a) **전동 공구에 무리한 힘을 가하지 마십시오.** 해당 용도에 맞는 올바른 전동 공구를 사용하십시오. 올바른 전동 공구를 사용해야 설계된 속도로 작업을 더욱 안전하고 정확하게 수행할 수 있습니다.
- b) **스위치 커짐/꺼짐이 되지 않는 전동 공구는 사용하지 마십시오.** 스위치로 제어되지 않는 전동 공구는 위험하며 수리해야 합니다.
- c) **전동 공구를 조정하거나 액세서리를 변경하거나 보관하기 전에 전원 및/또는 배터리 팩에서 플러그를 뽑으십시오.** 이러한 예방적 안전 조치를 따라야 전동 공구가 갑자기 작동할 위험이 줄어듭니다.
- d) **사용하지 않는 전동 공구는 어린이의 손이 닿지 않는 곳에 보관하고, 전동 공구나 본지시 사항에 익숙하지 않은 사람이 전동 공구를 절대 사용하지 못하게 하십시오.** 전동 공구는 훈련을 받지 않은 사용자가 다루면 위험합니다.
- e) **전동 공구 유지 보수. 움직이는 부품의 잘못된 정렬이나 바인딩, 부품 파손 및 기타 전동 공구의 작동에 영향을 미칠 수 있는 상태가 있는지 확인하십시오.** 손상된 부분이 있는 경우 사용하기 전에 전동 공구를 수리하십시오. 많은 사고는 전동 공구를 제대로 유지 보수하지 않아 발생합니다.
- f) **절삭 공구를 예리하고 깨끗한 상태로 유지하십시오.** 절단기석 가장자리를 예리하게 잘 유지하면 절단기를 사용할 때 바인딩이 적고 다루기가 용이합니다.
- g) **작업 환경과 수행할 작업을 고려하여, 본 지시 사항에 따라 전동 공구, 액세서리 및 톨 비트 등을 사용하십시오.** 본 사용 설명서의 내용과 다른 용도로 전동 공구를 사용하면 위험한 상황이 발생할 수 있습니다.

5) 정비

- a) 자격을 갖춘 기술자가 동일 교체 부품을 사용하여 정비 작업을 수행해야 합니다. 그레아 전동 공구의 안전이 보장됩니다.

데몰리션 햄머 관련 추가 안전 지시 사항

- 귀 보호 장구를 착용하십시오. 소음에 노출 되면 청력이 손상될 수 있습니다.
- 공구와 함께 제공되는 사이드 핸들을 사용하십시오. 제어력을 잃으면 신체 부상을 당할 수 있습니다.
- 절삭 공구가 숨겨진 배선 또는 자체 코드에 접촉할 수 있는 작업을 수행할 때는 절연된 부분으로 전동 공구를 잡으십시오. "전류가 흐르는" 전선에 접촉된 절삭 액세서리는 공구의 노출된 금속 부품을 "전류가 흐르는" 상태로 만들어 작업자를 감전시킬 수 있습니다.
- 드릴 작업을 하는 곳에 전기 또는 가스 배관이 숨겨져 있지 않은지, 그리고 그러한 위치가 있는지를 전기 및 가스 회사와 확인하십시오.
- 항상 공구를 단단히 잡으십시오. 공구를 양 손으로 잡지 않고 이 공구를 작동하려고 시도 하지 마십시오. 한 손으로 이 공구를 사용하면 제어력을 잃을 수 있습니다. 강철봉과 같은 단단한 재질을 뚫는 것 또한 위험할 수 있습니다. 사용하기 전에 사이드 핸들을 단단히 조이십시오.
- 공구를 작동하기 전에 치줄이 제자리에 장착 되어 있는지 확인하십시오.
- 추운 날씨 또는 공구를 장시간 사용하지 않았을 때는 사용하기 전에 몇 분간 부하 없이 공구를 가동하십시오.
- 지상층 위에서 작업할 때는 아래에 작업에 문제가 되는 부분이 없도록 확인하십시오.
- 매우 뜨거워 화상을 입을 수 있으므로 작동 후 곧바로 치줄 또는 치줄 근처에 있는 부품을 만지지 마십시오.
- 항상 전원 케이블이 치줄에서 멀리 떨어진 뒤쪽을 향하도록 두십시오.
- 본 공구를 장시간 사용하지 마십시오. 햄머 작동으로 인한 진동은 손과 팔에 유해할 수 있습니다. 장갑을 사용하여 추가 쿠션을 제공하고 종종 휴식을 취하여 진동에 의한 노출을 제한하십시오.

기타 잔류 위험

데몰리션 햄머 사용 시 다음과 같은 위험이 뒤따를 수 있습니다.

- 공구의 뜨거운 부분을 만져 생기는 부상
- 관련된 안전 규정을 준수하고 안전 장치를 사용한다고 해도 특정한 위험은 피할 수 없습니다. 이러한 위험은 다음과 같습니다.
- 청력 손상
- 액세서리 교체 시 손가락이 눌리는 위험
- 콘크리트 및/또는 석재 작업 시 발생하는 먼지를 호흡하여 유발되는 건강 위해성

공구에 표시된 마크

공구에는 다음과 같은 그림이 있습니다.



사용 전에 사용 설명서의 내용을 숙지하십시오.

날짜 코드 위치(그림 1)

날짜 코드(g)에는 제조년도가 포함되며 케이스에 인쇄되어 있습니다.

예:

2011 XX XX

제조년도

포장 내용물

포장에 다음 내용물이 들어 있습니다.

- 1 데몰리션 햄머
 - 1 사이드 핸들
 - 1 육각치줄
 - 1 플라스틱 케이스
 - 1 사용 설명서
- 운반 중에 발생할 수 있는 공구, 부품 또는 액세서리의 손상 여부를 확인하십시오.
 - 작동 전에 시간을 내어 본 사용 설명서를 읽고 숙지하십시오.

설명 (그림 1)

- a. On/Off 스위치
- b. 주 핸들
- c. 사이드 핸들 클램프 노브
- d. 공구 리테이너
- e. 공구 홀더
- f. 사이드 핸들

용도

D25960, D25961 고성능 데몰리션 햄머는 고성능 폭파 및 절단 용도로 제작되었습니다.

습한 환경이나 가연성 액체 또는 가스가 있는 장소에서 사용하지 **마십시오.**

본 고성능 데몰리션 햄머는 전문가용 공구입니다.

어린이가 이 공구를 만지지 **않도록 하십시오.** 경험이 없는 작업자가 이 공구를 사용할 때는 감독자의 지도가 필요합니다.

능동 진동 제어 장치

능동 진동 제어 장치는 햄머 기계 장치의 반향 진동을 완화시켜줍니다. 손과 팔의 진동을 줄여서 장시간 더 편안하게 사용할 수 있도록 하고 기기의 수명을 연장해 줍니다.

전기 안전

전기 모터는 한 가지 전압에만 맞추어 설계되었습니다. 전원이 전동기 네임 플레이트에 기재된 전압과 일치하는지 항상 확인하십시오.



디웰트 전동 공구는 EN 60745에 따라 이중 절연되어 있습니다. 따라서 접지선이 필요하지 않습니다.

전원 코드가 손상된 경우에는 디웰트 서비스 센터를 통해 특수 제작된 코드로 교체해야 합니다.

연장 케이블 이용

연장 케이블이 필요할 경우 이 공구의 소비전력에 맞는 승인된 3 코어 연장 케이블을 사용하십시오 (기술 자료 참조). 최소 도체 크기는 1.5 mm², 최대 길이는 30 m입니다.

케이블 릴을 이용할 때는 항상 케이블을 완전히 푸십시오.

조립 및 조정



경고: 액세서리를 설치 및 제거하기 전, 설정 상태를 조정하거나 변경하기 전, 또는 수리 시 부상의 위험을 줄이려면 장치를 끄고 전원으로부터의 연결을 차단하십시오. 트리거 스위치가 꺼짐 위치에 있는지 반드시 확인하십시오. 공구가 갑자기 작동하여 신체 부상을 당할 수 있습니다.



경고: 액세서리를 교환할 때는 항상 장갑을 착용하십시오. 작동 중에는 공구와 액세서리의 노출된 금속 부분이 매우 뜨거울 수 있습니다.

28/30 mm 육각 액세서리 삽입 및 제거(그림 3, 4)

D25960

이 기기는 28 mm 육각 샙크가 달린 치즐을 사용합니다.

D25961

이 기기는 30 mm 육각 샙크가 달린 치즐을 사용합니다.

본 제품에는 디웰트 권장 액세서리만 사용해야 합니다.

1. 치즐 샙크를 청소하십시오(그림 3).

D25960

홈이 있는 치즐을 샙크에 끼우려면(FIG. 4A),

1. 공구 리테이너 (d)를 잠금 해제 위치로 당깁니다.
2. 홈 (h)이 위쪽을 향하도록 공구 홀더 앞쪽에 치즐을 고정합니다.
3. 치즐 샙크를 공구 홀더 (e)에 끼웁니다.
4. 리테이너 (d)를 뒤로 밀어 액세서리를 제 위치에 잠급니다.
5. 치즐을 잡아 당겨 제대로 잠겼는지 확인하십시오. 해머링 기능을 사용하려면 공구 홀더에 잠겨 있을 때 치즐을 축 방향으로 몇 센티미터 이동할 수 있어야 합니다.
6. 치즐을 제거하려면 리테이너 (d)를 뒤로 당겨 치즐을 공구 홀더 (e)에서 빼냅니다.

칼라가 있는 치즐을 샙크에 끼우려면(그림 4B)

1. 공구 리테이너 (d)를 잠금 해제 위치로 당깁니다.
2. 치즐 샙크를 공구 홀더 (e)에 끼웁니다.
3. 액세서리 샙크와 일직선이 되게 리테이너 (d)를 밀어 액세서리를 제 위치에 잠급니다.
4. 치즐을 잡아 당겨 제대로 잠겼는지 확인하십시오. 햄머 기능을 사용하려면 공구 홀더에 잠겨 있을 때 치즐을 축 방향으로 몇 센티미터 이동할 수 있어야 합니다.
5. 치즐을 제거하려면 리테이너 (d)를 뒤로 당겨 치즐을 공구 홀더 (e)에서 빼냅니다.

D25961

홈이 있는 치즐을 샙크에 끼우려면(그림 4C)

1. 리테이너 볼트 (i)를 당긴 뒤 잠금 해제 위치로 180° 돌립니다.
2. 홈 (h)이 위쪽을 향하도록 공구 홀더 앞쪽에 치즐을 고정합니다.
3. 치즐 샙크를 공구 홀더 (e)에 끼웁니다.

- 리테이너 볼트 (i)를 당긴 뒤 잠금 위치로 180° 돌립니다.
- 치즐을 잡아 당겨 제대로 잠겼는지 확인하십시오. 해머링 기능을 사용하려면 공구 홀더에 잠겨 있을 때 치즐을 축 방향으로 몇 센티미터 이동할 수 있어야 합니다.
- 치즐을 제거하려면 리테이너 볼트 (i)를 당긴 뒤 잠금 해제 위치로 180° 돌립니다.

사이드 핸들 조절(그림 1)

사이드 핸들 (f)은 오른손 및 왼손 사용자에게 맞게 장비에 조립할 수 있습니다.



경고: 항상 사이드 핸들을 올바르게 장착한 상태에서 기기를 작동하십시오.

- 클램프 노브 (c)를 풀고 사이드 핸들을 원하는 위치로 돌립니다.
- 클램프 노브 (c)를 조여서 사이드 핸들을 제자리에 잠급니다.

작동

사용 지침



경고:

- 안전 지시 사항과 해당 규정을 항상 준수하십시오.
- 배관 및 배선 위치를 알아 두십시오.
- 공구에 약 20 - 30 kg의 압력을 가하십시오. 과도한 힘을 가하면 치즐링 속도가 올라가지 않고 공구 성능이 감소하고 공구 수명이 단축될 수 있습니다.

올바른 손 위치(그림 2)



경고: 심각한 신체 부상의 위험을 줄이려면 항상 그림과 같이 올바르게 손을 위치하십시오.



경고: 심각한 부상의 위험을 줄이려면 항상 급작스러운 반동을 예상하고 확실하게 잡으십시오.

중요: 공구 사용 중에는 항상 양 손을 이용해 공구를 잡으십시오.

수평으로 사용할 때 (그림 2A):

올바른 손의 위치가 되려면 한 손은 사이드 핸들 (f)을 잡고, 다른 손은 주 핸들 (b)을 잡습니다.

수직으로 사용할 때 (그림 2B):

올바른 손의 위치는 주 핸들 (b)을 양 손으로 쥐는 것입니다.

전원 켜기 및 끄기(그림 1)

전원 켜기: on/off 스위치 (a)를 1 위치로 설정합니다.

전원 끄기: on/off 스위치 (a)를 0 위치로 설정합니다.

파쇄, 조금(彫金) 및 채널링

(그림 1, 2)

- 적합한 치즐을 선택하고 상크를 닫습니다.
- 치즐을 끼우고 제대로 고정되었는지 확인합니다.
- 사이드 핸들 (f)을 맞추어 조정하고 확실히 고정되었는지 확인합니다.
- 공구의 주 핸들 (b)을 양 손으로 쥐거나 한 손은 주 핸들 (b), 다른 손으로는 사이드 핸들 (f)을 잡습니다. 공구 사용 중에는 항상 양 손을 이용해 공구를 잡으십시오. **올바른 손의 위치**를 참조하십시오.
- 연속 작동 상태로 공구를 가동하려면 스위치를 켭니다.
- 작업이 끝나면 플러그를 빼기 전에 항상 공구 스위치를 꺼진 위치로 놓습니다.

다양한 종류의 치즐을 옵션으로 사용할 수 있습니다.

본 제품에는 디월트 권장 액세서리만 사용해야 합니다.

유지 보수

디월트 전동 공구는 최소한의 유지 보수로 장기간에 걸쳐 작업이 가능하도록 설계되어 있습니다. 오랜 시간 만족스러운 성능으로 공구를 사용하려면 적합한 공구 관리와 정기적인 청소가 중요합니다.

본 기기는 사용자가 수리할 수 없습니다. 공인 디월트 수리 대리점에 정기적으로 수리를 의뢰하십시오. 이 시간 이전에 문제가 발생할 경우 공인 디월트 수리 대리점에 문의하십시오.

액세서리 유지 보수(그림 5, 6)



경고: 이러한 치즐은 제한된 횟수만 다시 갈 수 있습니다. 확실하지 않을 경우, 판매 대리점으로 문의하여 알아보십시오.



경고: 너무 많은 압력으로 인해 절삭 가장자리가 변색되지 않았는지 확인하십시오. 이로 인해 액세서리의 견고함이 줄어들 수 있습니다.

최상의 결과를 얻으려면 날카로운 치즐 비트만 사용하십시오. 치즐 비트를 자주 갈면 치즐

비트 수명이 길어지고 최상의 성능을 얻을 수 있습니다.

연마

이 공구에 사용할 치즐 유형은 그림 5를 참조하십시오.

지속적으로 물을 흘려 보내면서 연마용 디스크로 치즐을 연마합니다. 다음 치즐의 알맞은 각도에 대해서는 그림 6을 참조하십시오.

- k. 뾰족한 치즐
- l. 플랫 치즐
- m.와이드 스케일링 치즐
- n. 클레이 스페이드

단조

단조를 하려면,

치즐을 850-1050°C(밝은 적색-노랑)로 가열합니다.

치즐을 다시 단단하게 하려면,

- 치즐을 900°C로 가열한 뒤 오일에서 식힙니다.
- 그런 다음 치즐을 오븐에 넣고 320°C(밝은 청색)에서 1시간 동안 가열합니다.



운할방법

전공 공구는 별도의 운할 작업이 필요하지 않습니다.



청소



경고: 통풍구 속이나 주변에 먼지가 쌓여있는 것이 보이면 가능한 한 자주 건조한 공기를 이용하여 몸체에서 먼지를 불어내십시오. 이 절차를 수행할 때는 눈 보호 장구를 착용하십시오.



경고: 공구의 금속 이외 부품을 청소할 때는 용제 등의 강력한 화학약품을 절대 사용하지 마십시오. 그렇지 않으면 이러한 부분에 사용된 재료가 약해질 수 있습니다. 형질에 물과 순한 비누를 적셔 닦아주십시오. 공구 내부에 액체를 넣거나 공구 부품을 액체에 담그는 행동은 절대 금물입니다.

옵션 액세서리



경고: 디월트에서 제공하지 않은 액세서리는 본 제품에서 테스트되지 않았으므로 본 제품에서 이러한 액세서리를 사용하면 위험할 수 있습니다. 신체 부상의 위험을 줄이려면 본 제품에 디월트 권장 액세서리만 사용해야 합니다.

해당 액세서리에 대한 자세한 정보는 판매 대리점으로 문의하십시오.

환경 보호



분리 수거. 본 제품을 일반 가정용 쓰레기로 처리하면 안됩니다.



디월트 제품을 교체해야 하거나 더 이상 쓸모가 없어졌다고 판단될 때는 본 제품을 가정용 쓰레기와 함께 처리하지 마십시오. 이 제품은 분리 수거하십시오.



사용하던 제품과 포장을 분리 수거하면 자원을 재활용 및 재사용할 수 있습니다. 재활용 자원을 이용하면 환경 오염이 방지되고 고철 자원에 대한 수요를 줄일 수 있습니다.

지역에 따라 가정용 가전제품을 분리 수거하는 규정이 마련되어 있거나 새로운 제품을 구입할 때 판매점에서 폐기 방법을 알려줄 수 있습니다.

디월트는 사용이 끝난 디월트 제품을 수집하여 재활용하기 위한 시설을 운영하고 있습니다. 이 서비스를 활용하려면 당사가 폐제품 수거를 위임한 수리 지정점에 제품을 반환해 주십시오.

본 사용 사용 설명서에 기재된 연락처로 가까운 디월트 영업소에 연락하면 가까운 공인 수리 대리점 위치를 확인할 수 있습니다. 또는 다음 웹 사이트를 방문하여 디월트 공인 수리 대리점 목록과 A/S 및 연락처 등 자세한 정보를 찾아볼 수 있습니다. www.dewalt.co.kr

MESIN BOR BETON D25960, D25961

Selamat!

Anda telah memilih perkakas listrik DEWALT. Pengalaman bertahun-tahun, pengembangan produk menyeluruh, dan inovasi menjadikan DEWALT sebagai salah satu mitra paling andal bagi para pengguna perkakas listrik profesional.

Data Teknis

		D25960	D25961
Voltase	V	220-240	220-240
Jenis		1	1
Frekuensi	Hz	50	60
Masukan daya	W	1600	1600
Kecepatan pukulan	min ⁻¹	1450	1450
Daya pukulan (EPTA 05/2009)	J	35	35
Pemegang alat potong		28 mm Heksagon	30 mm Heksagon
Posisi pahat		1	1
Berat	kg	18,4	16,9

Definisi: Pedoman Keselamatan

Definisi di bawah ini menjelaskan tingkat keparahan untuk setiap kata sinyal. Baca buku petunjuk atau manual dan perhatikan simbol berikut.



BAHAYA: Menunjukkan adanya situasi berbahaya yang, jika tidak dihindari, **akan** mengakibatkan **kematian atau cedera serius**.



PERINGATAN: Menunjukkan potensi situasi berbahaya yang, jika tidak dihindari, **dapat** mengakibatkan **kematian atau cedera serius**.



PERHATIAN: Menunjukkan potensi situasi berbahaya yang, jika tidak dihindari, **mungkin** mengakibatkan **kematian atau cedera serius**.

PEMBERITAHUAN: Menunjukkan tindakan yang **tidak berhubungan dengan cedera diri** yang, jika tidak dihindari, **mungkin** mengakibatkan **kerusakan properti**.



Menunjukkan risiko sengatan listrik.



Menunjukkan risiko kebakaran.



PERINGATAN: Untuk mengurangi risiko cedera, baca buku petunjuk.

Peringatan Keselamatan Perkakas Listrik Umum



PERINGATAN! Baca semua peringatan dan petunjuk keselamatan Kelalaian dalam mengikuti peringatan dan petunjuk tersebut dapat mengakibatkan sengatan listrik, kebakaran dan/atau cedera serius.

SIMPAN SEMUA PERINGATAN DAN PETUNJUK UNTUK REFERENSI DI MASA MENDATANG

Istilah "perkakas listrik" dalam setiap peringatan mengacu pada perkakas listrik (dengan kabel) yang dioperasikan dengan listrik utama atau perkakas listrik (tanpa kabel) yang dioperasikan dengan baterai.

1) KESELAMATAN AREA KERJA

- Jaga area kerja tetap bersih dan terang.** Area yang berserakan atau gelap akan mengakibatkan kecelakaan.
- Jangan operasikan perkakas listrik ini di lingkungan yang mudah menimbulkan bahaya ledakan, seperti di tempat yang terdapat cairan, gas, atau debu mudah terbakar.** Perkakas listrik ini menimbulkan percikan api yang dapat membakar debu atau uap.
- Jauhkan anak-anak dan orang yang berada di sekitar, sewaktu mengoperasikan perkakas listrik.** Gangguan dapat menyebabkan Anda kehilangan kendali.

2) KESELAMATAN KELISTRIKAN

- a) **Steker perkakas listrik harus sesuai dengan stopkontak. Jangan sekali-kali memodifikasi steker dengan cara apapun. Jangan gunakan steker adaptor apapun dengan perkakas listrik yang dibumikan (ground).** Steker yang tidak dimodifikasi dan stopkontak yang sesuai akan mengurangi risiko sengatan listrik.
 - b) **Hindari kontak badan dengan permukaan yang dibumikan, seperti pipa, radiator, kompor, dan kulkas.** Risiko sengatan listrik dapat bertambah jika tubuh Anda mengenai permukaan yang dibumikan.
 - c) **Jangan sampai perkakas listrik ini terkena hujan atau terpapar ke kondisi yang basah.** Air yang masuk ke perkakas listrik akan meningkatkan risiko sengatan listrik.
 - d) **Jangan salah gunakan kabel. Jangan sekali-kali menggunakan kabel untuk membawa, menarik, atau mencabut perkakas listrik. Jauhkan kabel dari panas, minyak, tepi tajam, atau komponen yang bergerak.** Kabel rusak atau terbelit meningkatkan risiko sengatan listrik.
 - e) **Bila mengoperasikan perkakas listrik di luar ruangan, gunakan kabel sambungan yang sesuai untuk penggunaan di luar ruangan.** Menggunakan kabel yang sesuai untuk penggunaan di luar ruangan akan mengurangi risiko sengatan listrik.
 - f) **Jika terpaksa mengoperasikan perkakas listrik di lokasi lembap, gunakan catu daya yang dilindungi pemutus sirkuit arus sisa (RCD).** Penggunaan RCD mengurangi risiko sengatan listrik.
- c) **Cegah pengaktifan secara tidak sengaja. Pastikan tombol berada pada posisi mati sebelum menyambungkan ke sumber listrik dan/atau unit baterai, maupun saat mengambil atau membawa perkakas.** Membawa perkakas listrik dengan jari Anda pada tombol, atau menyambungkan perkakas listrik ke stopkontak dengan tombol pada posisi hidup akan mengakibatkan kecelakaan.
 - d) **Lepaskan semua kunci setelan atau kunci pas sebelum menghidupkan perkakas listrik.** Kunci pas atau kunci setelan yang dibiarkan terpasang pada komponen perkakas listrik yang berputar dapat mengakibatkan cedera diri.
 - e) **Jangan gunakan perkakas listrik untuk menjangkau terlalu jauh. Selalu jaga pijakan dan keseimbangan yang baik.** Hal ini memungkinkan Anda untuk mengendalikan perkakas listrik dengan lebih baik dalam situasi yang tidak terduga.
 - f) **Kenakan pakaian yang sesuai. Jangan kenakan pakaian longgar atau perhiasan. Jauhkan rambut, pakaian, dan sarung tangan dari komponen yang bergerak.** Pakaian longgar, perhiasan, atau rambut panjang dapat tersangkut dalam komponen yang bergerak.
 - g) **Jika disediakan perangkat untuk sambungan fasilitas pengeluaran dan pengumpulan debu, pastikan perangkat ini disambungkan dan digunakan dengan sesuai.** Penggunaan perangkat pengumpulan debu dapat mengurangi bahaya terkait debu.

3) KESELAMATAN DIRI

- a) **Tetap waspada, perhatikan apa yang Anda lakukan dan gunakan logika saat mengoperasikan perkakas listrik. Jangan gunakan perkakas listrik bila Anda lelah, atau berada di bawah pengaruh obat, alkohol, pengobatan.** Kelengahan sesaat saja ketika mengoperasikan perkakas listrik dapat menyebabkan cedera diri yang parah.
- b) **Gunakan alat pelindung diri. Selalu kenakan alat pelindung mata.** Perlengkapan pelindung, seperti masker debu, sepatu pengaman anti selip, helm pengaman, atau alat pelindung pendengaran yang digunakan dalam kondisi yang sesuai akan mengurangi cedera diri.

4) PENGGUNAAN DAN PEMELIHARAAN PERKAKAS LISTRIK

- a) **Jangan gunakan perkakas listrik dengan paksa. Gunakan perkakas listrik yang benar untuk aplikasi Anda.** Perkakas listrik yang benar akan bekerja lebih baik dan lebih aman pada nilai spesifikasi yang telah dirancang untuk perkakas tersebut.
- b) **Jangan gunakan perkakas listrik ini jika tombolnya tidak dapat menghidupkan dan mematikan perkakas.** Perkakas listrik apapun yang tidak dapat dikendalikan dengan tombol adalah berbahaya dan harus diperbaiki.
- c) **Lepaskan steker dari sumber listrik dan/ atau unit baterai sebelum melakukan penyetulan, mengganti aksesoris, atau menyimpan perkakas listrik.** Tindakan pencegahan untuk keselamatan tersebut mengurangi risiko pengaktifan perkakas listrik secara tidak sengaja.

- d) **Simpan perkakas listrik yang tidak digunakan jauh dari jangkauan anak-anak, dan jangan bolehkan orang yang tidak memahami perkakas listrik atau petunjuk ini untuk mengoperasikannya.** Perkakas listrik akan berbahaya bila digunakan oleh pengguna yang tidak terlatih.
- e) **Pelihara perkakas listrik. Lakukan pemeriksaan untuk mengetahui apakah ada komponen bergerak yang tidak sejajar atau macet, komponen yang patah, dan kondisi lainnya yang dapat mempengaruhi pengoperasian perkakas listrik. Jika rusak, perbaiki perkakas listrik sebelum digunakan.** Banyak kecelakaan disebabkan oleh perkakas listrik yang dirawat dengan buruk.
- f) **Jaga ketajaman dan kebersihan perkakas pemotong.** Alat pemotong yang dipelihara baik dengan tepi pemotongan yang tajam akan kecil kemungkinannya menjadi macet dan lebih mudah dikendalikan.
- g) **Gunakan perkakas listrik, aksesoris, mata alat, dsb., sesuai dengan petunjuk ini dengan mempertimbangkan kondisi kerja dan pekerjaan yang akan dilakukan.** Pengoperasian perkakas listrik yang berbeda dari tujuan penggunaan yang dimaksudkan dapat mengakibatkan situasi berbahaya.
- 5) **SERVIS**
- a) **Perkakas listrik sebaiknya diservis oleh teknisi yang mahir dan hanya menggunakan komponen pengganti yang persis sama.** Ini akan menjamin keselamatan perkakas terpelihara.
- Pastikan bahwa material yang sedang dibor tidak memiliki saluran listrik atau gas tersembunyi dan bahwa lokasinya telah diperiksa bersama perusahaan penyedia listrik atau gas.
 - Selalu pegang perkakas dengan kencang. Jangan coba mengoperasikan perkakas ini tanpa memegangnya dengan kedua tangan. Mengoperasikan perkakas ini dengan satu tangan akan mengakibatkan hilangnya kendali. Menembus atau membentur material keras seperti batang penguat juga dapat berbahaya. Pasang pegangan samping dengan kencang sebelum penggunaan.
 - Pastikan pahat dipasang dengan kencang sebelum mengoperasikan perkakas ini.
 - Dalam kondisi cuaca dingin atau setelah perkakas tidak digunakan untuk jangka waktu yang lama, biarkan perkakas beroperasi tanpa beban selama beberapa menit sebelum digunakan.
 - Bila bekerja di atas permukaan tanah, pastikan area di bawahnya kosong.
 - Jangan langsung menyentuh pahat atau komponen di dekat pahat setelah pengoperasian, karena mungkin sangat panas dan dapat menyebabkan luka bakar pada kulit.
 - Selalu arahkan kabel daya ke belakang, jauh dari pahat.
 - **Jangan operasikan alat ini untuk jangka waktu yang lama.** Getaran yang disebabkan oleh gerakan memalu dapat berpengaruh buruk pada tangan dan lengan Anda. Gunakan sarung tangan untuk memberikan bantalan tambahan dan batasi paparan terhadap getaran dengan sering mengambil waktu istirahat.

Petunjuk Keselamatan Tambahan untuk Mesin Bor Beton

- **Kenakan alat pelindung telinga.** Paparan terhadap kebisingan dapat menyebabkan kehilangan pendengaran.
- **Gunakan pegangan tambahan yang disertakan dengan perkakas ini.** Kehilangan kendali dapat menyebabkan cedera diri.
- **Pegang perkakas listrik pada permukaan pegangan berisolasi saat melakukan operasi di mana alat pemotong dapat mengenai kabel yang tersembunyi atau kabelnya sendiri.** Aksesoris pemotong yang mengenai kabel beraliran listrik dapat menyebabkan komponen logam yang terbuka pada perkakas menghantarkan listrik dan mengakibatkan operator tersengat listrik.

Risiko Residual

Risiko berikut berhubungan dengan penggunaan mesin bor beton:

- Cedera yang disebabkan karena menyentuh komponen panas pada perkakas.

Meskipun peraturan keselamatan yang relevan diterapkan dan perangkat keselamatan digunakan, risiko residual tertentu tidak dapat dihindari. Risiko residual yaitu:

- Gangguan pendengaran.
- Risiko terjepitnya jari saat mengganti aksesoris.
- Bahaya kesehatan yang disebabkan karena menghirup debu saat mengerjakan beton dan/atau batu.

Tanda pada Perkakas

Piktogram berikut ini akan ditampilkan pada perkakas:



Baca buku petunjuk atau manual sebelum penggunaan.

POSISI KODE TANGGAL (GBR. 1)

Kode Tanggal (g), yang juga mencantumkan tahun produksi, dicetak pada bodi perkakas.

Contoh:

2011 XX XX

Tahun Produksi

Isi Kemasan

Kemasan berisi:

- 1 Mesin bor beton
- 1 Pegangan samping
- 1 Pahat runcing
- 1 Kotak plastik
- 1 Buku petunjuk

- *Periksa kerusakan pada perkakas, komponen, atau aksesoris yang mungkin terjadi selama pengiriman.*
- *Luangkan waktu untuk membaca dan memahami buku petunjuk ini secara cermat sebelum pengoperasian.*

Keterangan (gbr. 1)

- a. Tombol on/off
- b. Pegangan utama
- c. Kenop penjepit pegangan samping
- d. Penahan alat potong
- e. Pemegang alat potong
- f. Pegangan samping

TUJUAN PENGGUNAAN

Mesin bor beton tugas berat D25960, D25961 dirancang untuk aplikasi pembongkaran dan pembobokan tugas berat.

JANGAN gunakan dalam kondisi basah atau di dekat cairan maupun gas yang mudah terbakar.

Mesin bor beton tugas berat ini adalah perkakas listrik profesional.

JANGAN biarkan anak-anak menjangkau perkakas ini. Pengawasan diperlukan bila operator yang tidak berpengalaman menggunakan perkakas ini.

Kontrol Getaran Aktif

Kontrol getaran aktif menetralkan getaran pantul dari mekanisme memalu. Fitur ini mengurangi getaran pada tangan dan lengan, sehingga memungkinkan penggunaan yang lebih nyaman untuk jangka waktu yang lebih lama dan memperpanjang masa pakai unit.

Keselamatan Kelistrikan

Motor listrik telah dirancang hanya untuk satu voltase. Selalu periksa apakah catu daya sesuai dengan voltase yang tercantum pada pelat nilai spesifikasi.



Perkakas DEWALT Anda dilapisi isolasi ganda sesuai dengan EN 60745, sehingga tidak memerlukan kabel pembumian (ground).

Jika kabel listrik rusak, harus diganti dengan kabel khusus yang tersedia di pusat servis DEWALT.

Menggunakan Kabel Sambungan

Jika kabel sambungan diperlukan, gunakan kabel sambungan 3 inti yang disetujui dan sesuai untuk masukan daya perkakas ini (lihat data teknis). Ukuran konduktor minimum adalah 1,5 mm²; panjang maksimum adalah 30 m.

Bila menggunakan gulungan kabel, panjangkan kabel sepenuhnya.

PERAKITAN DAN PENYETELAN



PERINGATAN: Untuk mengurangi risiko cedera, matikan unit, lalu lepaskan sambungan mesin dari sumber listrik sebelum memasang dan melepaskan aksesoris, sebelum menyatel maupun mengubah pengaturan, atau saat melakukan perbaikan. Pastikan tombol pemicu berada pada posisi OFF. Pengaktifan yang tidak disengaja dapat menyebabkan cedera.



PERINGATAN: Selalu kenakan sarung tangan saat mengganti aksesoris. Komponen logam yang terbuka pada perkakas dan aksesoris dapat menjadi sangat panas selama pengoperasian.

Memasukkan dan Melepaskan Aksesoris Heksagon 28/30 mm (gbr. 3, 4)

D25960

Mesin ini menggunakan pahat dengan batang heksagon 28 mm.

D25961

Mesin ini menggunakan pahat dengan batang heksagon 30 mm.

Gunakan hanya aksesori DEWALT yang direkomendasikan dengan produk ini.

1. Bersihkan batang pahat (Gbr. 3).

D25960

UNTUK MEMASANG PAHAT DENGAN ALUR PADA BATANGNYA (GBR. 4A)

1. Tarik penahan alat potong (d) ke posisi membuka.
2. Pegang pahat di depan pemegang alat potong dengan alurnya (h) menghadap ke atas.
3. Masukkan batang pahat ke dalam pemegang alat potong (e).
4. Dorong penahan (d) ke belakang untuk mengunci aksesori pada posisi.
5. Tarik pahat untuk memeriksa apakah sudah terkunci benar. Fungsi memalu memerlukan pahat untuk dapat bergerak secara aksial beberapa sentimeter saat terkunci di pemegang alat potong.
6. Untuk melepaskan pahat, tarik penahan (d) ke belakang, lalu tarik pahat ke luar dari pemegang alat potong (e).

UNTUK MEMASANG PAHAT DENGAN KOLAR PADA BATANGNYA (GBR. 4B)

1. Tarik penahan alat potong (d) ke posisi membuka.
2. Masukkan batang pahat ke dalam pemegang alat potong (e).
3. Dorong penahan (d) sejajar dengan batang aksesori untuk mengunci aksesori pada posisi.
4. Tarik pahat untuk memeriksa apakah sudah terkunci benar. Fungsi memalu memerlukan pahat untuk dapat bergerak secara aksial beberapa sentimeter saat terkunci di pemegang alat potong.
5. Untuk melepaskan pahat, tarik penahan (d) ke belakang, lalu tarik pahat ke luar dari pemegang alat potong (e).

D25961

UNTUK MEMASANG PAHAT DENGAN ALUR PADA BATANGNYA (GBR. 4C)

1. Tarik baut penahan (i), lalu putar 180° ke posisi membuka.
2. Pegang pahat di depan pemegang alat potong dengan alurnya (h) menghadap ke atas.
3. Masukkan batang pahat ke dalam pemegang alat potong (e).
4. Tarik baut penahan (i), lalu putar 180° kembali ke posisi mengunci.
5. Tarik pahat untuk memeriksa apakah sudah terkunci benar. Fungsi memalu memerlukan pahat untuk dapat bergerak secara aksial beberapa sentimeter saat terkunci di pemegang alat potong.
6. Untuk melepaskan pahat, tarik baut penahan (i), lalu putar 180° ke posisi membuka.

Menyetel Pegangan Samping (gbr. 1)

Pegangan samping (f) dirakit pada mesin untuk menyesuaikan dengan pengguna tangan kanan dan kiri.



PERINGATAN: Selalu operasikan mesin dengan pegangan samping yang terpasang benar.

1. Kendurkan kenop penjepit (c), lalu putar pegangan samping ke posisi yang diinginkan.
2. Kunci pegangan samping di tempat dengan mengencangkan kenop penjepit (c).

PENGOPERASIAN

Petunjuk untuk Penggunaan



PERINGATAN:

- Selalu patuhi semua petunjuk keselamatan dan peraturan yang berlaku.
- Ketahui lokasi saluran pipa dan kabel.
- Terapkan tekanan sebesar sekitar 20 - 30 kg pada perkakas. Kekuatan yang berlebihan tidak akan mempercepat pemahatan namun mengurangi performa perkakas dan dapat mempersingkat masa pakai perkakas.

Posisi Tangan yang Benar (gbr. 2)



PERINGATAN: Untuk mengurangi risiko cedera diri yang serius, **SELALU** gunakan posisi tangan yang benar seperti yang ditunjukkan.



PERINGATAN: Untuk mengurangi risiko cedera diri yang serius, **SELALU** pegang dengan kencang untuk mengantisipasi reaksi mendadak.

PENTING: Perkakas ini harus selalu dipegang dengan dua tangan saat digunakan.

Aplikasi horizontal (gbr. 2A):

Posisi tangan yang benar berarti satu tangan pada pegangan samping (f) dan tangan lainnya pada pegangan utama (b).

Aplikasi vertikal (gbr. 2B):

Posisi tangan yang benar berarti kedua tangan pada pegangan utama (b).

Menghidupkan dan Mematikan (gbr. 1)

Menghidupkan: setel tombol on/off (a) ke posisi 1.

Mematikan: setel tombol on/off (a) ke posisi 0.

Pembongkaran, Pembuatan Alur, dan Pembuatan Saluran (gbr. 1, 2)

1. Pilih pahat yang sesuai, lalu bersihkan batangnya.
2. Masukkan pahat, lalu periksa apakah sudah terkunci benar.
3. Pasang dan setel pegangan samping (f), lalu pastikan sudah terpasang kencang.
4. Pegang perkakas dengan dua tangan pada pegangan utama (b) atau satu tangan pada pegangan utama (b) dan satu tangan pada pegangan samping (f). Perkakas ini harus selalu dipegang dengan dua tangan saat digunakan. Lihat **Posisi Tangan yang Benar**.
5. Hidupkan perkakas untuk menjalankan pengoperasian secara terus-menerus.
6. Selalu matikan perkakas saat pekerjaan telah selesai dan sebelum melepaskan kabel listriknya.

Berbagai jenis pahat tersedia sebagai pilihan.

Gunakan hanya aksesoris DEWALT yang direkomendasikan dengan produk ini.

PERAWATAN

Perkakas listrik DEWALT Anda telah dirancang untuk beroperasi selama jangka waktu yang lama dengan perawatan minimum. Pengoperasian yang memuaskan secara terus-menerus bergantung pada cara pemeliharaan yang benar dan pembersihan perkakas secara teratur.

Mesin ini tidak dapat diservis oleh pengguna. Bawa perkakas ke agen perbaikan DEWALT resmi secara berkala. Jika masalah terjadi sebelum jadwal servis berkala, hubungi agen perbaikan DEWALT resmi.

Perawatan Aksesoris (gbr. 5, 6)



PERINGATAN: Pahat ini dapat digerinda kembali hanya beberapa kali secara terbatas. Jika ragu, hubungi dealer Anda untuk rekomendasi.



PERINGATAN: Pastikan bahwa tepi pemotongan tidak menunjukkan perubahan warna yang disebabkan karena terlalu banyak tekanan. Hal ini dapat mengurangi kekerasan aksesoris.

Untuk hasil terbaik, hanya gunakan mata pahat yang tajam. Menggerinda mata pahat dengan sering akan menjamin masa pakai mata pahat yang lama dan hasil performa terbaik.

PENGERINDAAN

Lihat gambar 5 untuk jenis pahat yang digunakan dengan perkakas ini.

Gerinda pahat pada cakram gerinda dengan aliran air secara terus-menerus. Lihat gambar 6 untuk sudut yang sesuai dengan jenis pahat berikut:

- k. pahat runcing
- l. pahat pipih
- m. pahat scaling lebar
- n. pahat clay spade

PENEMPAAN

Untuk menempa:

Panaskan pahat hingga 850-1050°C (warna merah-kuning muda).

Untuk mengeraskan pahat kembali:

- Panaskan pahat hingga 900°C, lalu celupkan ke dalam minyak.
- Kemudian simpan pahat di dalam oven selama 1 jam pada suhu 320°C (warna biru muda).



Pelumas

Perkakas listrik Anda tidak memerlukan pelumas tambahan.



Pembersihan



PERINGATAN: Semprot ke luar kotoran dan debu pada bodi utama dengan udara kering sesering mungkin saat kotoran terlihat mengendap di dalam dan di sekitar ventilasi udara. Kenakan alat pelindung mata saat melakukan prosedur ini.



PERINGATAN: Jangan gunakan pelarut atau bahan kimia keras lainnya untuk membersihkan komponen non-logam pada perkakas. Bahan kimia ini dapat melemahkan bahan yang digunakan pada komponen tersebut. Gunakan kain yang dibasahi hanya dengan air dan sabun lembut. Jangan biarkan cairan apapun masuk ke dalam perkakas; dan jangan pernah memasukkan komponen perkakas manapun ke dalam cairan.

Aksesori Opsional



PERINGATAN: Aksesori selain dari yang ditawarkan oleh DEWALT belum diuji dengan produk ini, sehingga penggunaannya dengan perkakas ini dapat berbahaya. Untuk mengurangi risiko cedera, gunakan hanya aksesori DEWALT yang direkomendasikan dengan produk ini.

Hubungi dealer Anda untuk informasi lebih lanjut tentang aksesori yang sesuai.

Melindungi Lingkungan



Pengumpulan terpisah. Produk ini tidak boleh dibuang bersama limbah rumah tangga biasa.



Pengumpulan terpisah produk dan kemasan bekas memungkinkan bahannya untuk didaur ulang dan digunakan kembali. Penggunaan kembali bahan yang didaur ulang membantu mencegah pencemaran lingkungan dan mengurangi kebutuhan bahan baku.

Peraturan setempat mungkin mengatur pengumpulan terpisah produk elektronik dari limbah rumah tangga, di tempat pembuangan sampah kota atau di toko peritel saat Anda membeli produk baru.

DEWALT menyediakan fasilitas untuk pengumpulan dan daur ulang produk DEWALT setelah produk tersebut mencapai akhir masa pakainya. Untuk memanfaatkan layanan ini, kembalikan produk Anda ke agen perbaikan resmi yang akan mengumpulkannya atas nama kami.

Anda dapat memeriksa lokasi agen perbaikan resmi terdekat dengan menghubungi kantor DEWALT setempat di alamat yang tertera dalam buku petunjuk ini. Atau, lihat daftar agen perbaikan DEWALT resmi serta rincian lengkap tentang layanan purna jual dan kontak kami yang tersedia di Internet di: www.2helpU.com.

Jika suatu saat produk DEWALT Anda perlu diganti, atau jika sudah tidak lagi berguna bagi Anda, jangan buang bersama limbah rumah tangga. Pisahkan pengumpulan produk ini.

เครื่องสักรัดทำลายคอนกรีต D25960, D25961

ขอแสดงความยินดี!

คุณได้เลือกใช้เครื่องมือไฟฟ้าของ DEWALT ด้วยประสบการณ์ที่ยาวนานหลายปี ตลอดจนการพัฒนาผลิตภัณฑ์และนวัตกรรมใหม่ๆ ทำให้ DEWALT เป็นหนึ่งในเครื่องมือไฟฟ้าที่น่าเชื่อถือที่สุดสำหรับกลุ่มผู้ใช้เครื่องมือไฟฟ้าระดับมืออาชีพ

ข้อมูลทางด้านเทคนิค

		D25960	D25961
แรงดันไฟฟ้า	โวลต์	220	220
ชนิด		1	1
ความถี่	Hz	50	50
กำลังไฟเข้า	วัตต์	1600	1600
อัตรากระแส	นาที ⁻¹	1450	1450
แรงกระแทก (EPTA 05/2009)	J	35	35
ที่จับอุปกรณ์		ทกเหลี่ยม 28 มม.	ทกเหลี่ยม 30 มม.
ตำแหน่งดอกสักรัด		1	1
น้ำหนัก	กก.	18.4	16.9

คำจำกัดความ: ข้อแนะนำด้านความปลอดภัย

คำจำกัดความด้านล่างอธิบายถึงระดับความรุนแรงของคำแต่ละคำที่ใช้เรียกสัญลักษณ์ต่างๆ โปรดอ่านคู่มือและทำความเข้าใจกับสัญลักษณ์เหล่านี้



อันตราย: หมายถึงสถานการณ์ที่ก่อให้เกิดอันตรายได้อย่างฉับพลัน ซึ่งหากไม่ระวังจะทำให้เสียชีวิตหรือบาดเจ็บสาหัสได้



คำเตือน: หมายถึงสถานการณ์ที่มีแนวโน้มว่าอาจจะก่อให้เกิดอันตราย ซึ่งถ้าไม่ระวังสามารถทำให้เสียชีวิตหรือบาดเจ็บสาหัสได้



ข้อควรระวัง: หมายถึงสถานการณ์ที่มีแนวโน้มว่าจะก่อให้เกิดอันตราย ซึ่งถ้าไม่ระวัง อาจทำให้ได้รับบาดเจ็บเล็กน้อยหรือปานกลาง

ข้อสังเกต: หมายถึงการปฏิบัติซึ่งไม่เกี่ยวข้องกับการบาดเจ็บของบุคคล ซึ่งถ้าไม่ระวัง อาจทำให้ทรัพย์สินเสียหาย



แสดงถึงอันตรายจากการถูกไฟฟ้าดูด



แสดงถึงอันตรายจากการเกิดเพลิงไหม้



คำเตือน: เพื่อลดความเสี่ยงต่อการบาดเจ็บ โปรดอ่านคู่มือการใช้งานเล่มนี้

คำเตือนด้านความปลอดภัยทั่วไปจากการใช้เครื่องมือไฟฟ้า

คำเตือน อ่านคำเตือนและคำแนะนำด้านความปลอดภัยทั้งหมด การไม่ปฏิบัติตามคำเตือนและคำแนะนำเหล่านี้ อาจทำให้ถูกไฟดูด เกิดเพลิงไหม้และ/หรือบาดเจ็บสาหัสได้



จัดเก็บเอกสารคำเตือนและคำแนะนำทั้งหมดไว้เพื่อการอ้างอิงในภายหลัง

คำว่า “เครื่องมือไฟฟ้า” ในคำเตือน หมายถึงเครื่องมือไฟฟ้าที่ทำงานผ่านสายเมน (มีสาย) หรือแบตเตอรี่ (ไม่ใช้สาย)

1) ความปลอดภัยในบริเวณที่ทำงาน

- รักษาความสะอาดและจัดให้มีแสงสว่างเพียงพอในบริเวณที่ทำงาน บริเวณที่คับแคบหรือมืด ทำให้เกิดอุบัติเหตุได้
- ห้ามใช้เครื่องมือไฟฟ้าในบริเวณที่อาจเกิดการระเบิด เช่น เมื่อมีของเหลวไวไฟ แก๊ส หรือฝุ่นละออง เครื่องมือไฟฟ้าจะทำให้เกิดประกายไฟที่อาจทำให้ฝุ่นละอองหรือแก๊สติดไฟขึ้นได้
- ระวังไม่ให้เด็กเล็กและคนเดินผ่านไปมาเข้าใกล้ ในขณะที่ใช้งานเครื่องมือไฟฟ้า สิ่งรบกวนอาจทำให้คุณเสียสมาธิได้

2) ความปลอดภัยทางไฟฟ้า

- ก) ปลั๊กไฟของเครื่องต้องเป็นชนิดเดียวกับเต้ารับ ห้ามดัดแปลงปลั๊กไม่ว่าจะด้วยวิธีใด ห้ามใช้ตัวแปลงกับเครื่องมือไฟฟ้าที่ต่อสายดิน การใช้ปลั๊กที่ไม่มีการดัดแปลงและเต้ารับชนิดเดียวกันจะช่วยลดความเสี่ยงจากการถูกไฟดูด
- ข) หลีกเลี่ยงการสัมผัสพื้นผิวที่ต่อสายดินหรือสายกราวนด์ เช่น ท่อ หม้อน้ำ เตาหุงต้มและตู้เย็น ความเสี่ยงที่จะถูกไฟดูดจะเพิ่มขึ้นหากร่างกายเป็นสื่อเชื่อมต่อดังนั้น
- ค) อย่าให้เครื่องมือไฟฟ้าถูกฝนหรือเปียกน้ำ น้ำที่เข้าเครื่องมือไฟฟ้าจะทำให้ความเสี่ยงในการถูกไฟดูดเพิ่มขึ้น
- ง) ห้ามใช้สายไฟผิดวัตถุประสงค์ ห้ามใช้สายไฟเพื่อหิ้ว ดึง หรือถอดปลั๊กเครื่องมือไฟฟ้า เก็บสายไฟให้พ้นจากความร้อน น้ำมัน ของมีคม หรือ ชิ้นส่วนที่กำลังเคลื่อนที่ สายไฟที่ชำรุดหรือพันกันเป็นการเพิ่มความเสี่ยงจากการถูกไฟดูด
- จ) เมื่อใช้เครื่องมือไฟฟ้ากลางแจ้ง ให้ใช้สายพ่วงที่เหมาะสมสำหรับการใช้งานกลางแจ้ง การใช้สายไฟที่เหมาะสมสำหรับใช้งานกลางแจ้งช่วยลดความเสี่ยงในการถูกไฟดูด
- ฉ) หากไม่สามารถหลีกเลี่ยงการใช้เครื่องมือไฟฟ้าในบริเวณที่ชื้นแฉะได้ ให้ใช้อุปกรณ์ป้องกันไฟฟ้าสะสม (RCD) ที่จัดให้ การใช้ RCD ช่วยลดความเสี่ยงจากการถูกไฟดูด

3) ความปลอดภัยส่วนบุคคล

- ก) ตื่นตัวและมีสมาธิกับสิ่งที่คุณกำลังทำ พร้อมใช้สามัญสำนึกเมื่อใช้เครื่องมือไฟฟ้า ห้ามใช้เครื่องมือไฟฟ้าในขณะที่คุณกำลังเหนื่อยหรือได้รับอิทธิพลจากยา แอลกอฮอล์ หรือการรักษาบางอย่าง การขาดความระมัดระวังในการใช้เครื่องมือไฟฟ้าแม้ชั่วขณะหนึ่งอาจทำให้บาดเจ็บสาหัสได้
- ข) ใช้อุปกรณ์ป้องกันส่วนบุคคล สวมอุปกรณ์ป้องกันดวงตาเสมอ อุปกรณ์ป้องกัน เช่น หน้ากากกันฝุ่น รองเท้านิรภัยกันลื่น หมวกนิรภัย หรืออุปกรณ์ป้องกันเสียงดังที่ใช้ในสภาพที่เหมาะสมจะช่วยลดอาการบาดเจ็บส่วนบุคคลได้
- ค) ป้องกันการสตาร์ทเครื่องโดยไม่ตั้งใจ สวิตช์ต้องอยู่ในตำแหน่งปิดก่อนเสียบปลั๊กของเครื่องเข้ากับแหล่งจ่ายไฟ และ/หรือแบตเตอรี่ และก่อนยกหรือหิ้วเครื่องมือ การยกเครื่องมือไฟฟ้าในขณะที่นิ้วอยู่ที่สวิตช์ หรือจ่ายไฟให้เครื่องมือไฟฟ้าที่สวิตช์เปิดอยู่ อาจทำให้เกิดอุบัติเหตุได้
- ง) ถอดกุญแจปรับแต่งหรือประแจออกก่อนเปิดสวิตช์เครื่องมือไฟฟ้า ประแจหรือกุญแจที่เสียบคาไว้กับชิ้นส่วนที่กำลังหมุนของเครื่องมือไฟฟ้าอาจทำให้ได้รับบาดเจ็บได้

- จ) ห้ามใช้อุปกรณ์เกินระยะที่ถนัด ขณะใช้เครื่องมือควรวินให้มั่นคงและสมดุลตลอดเวลา เพื่อช่วยให้ควบคุมเครื่องมือไฟฟ้าได้ดียิ่งขึ้น หากเกิดเหตุที่ไม่คาดคิด
 - ฉ) แต่งกายให้เหมาะสม ห้ามสวมเสื้อผ้าหลวมหรือใส่เครื่องประดับ รวบผม ชายเสื้อ และถุงมือให้ห่างจากชิ้นส่วนที่กำลังหมุน เสื้อผ้าที่หลวมหรือยารูมร่า เครื่องประดับ หรือผมที่ยาวอาจเข้าไปพันกับชิ้นส่วนที่กำลังหมุน
 - ช) หากมือปรกณ์สำหรับเก็บฝุ่นและรวบรวมเศษไม้ ต้องเชื่อมต่ออุปกรณ์เหล่านั้นและนำมาใช้งานอย่างเหมาะสม การใช้อุปกรณ์เก็บฝุ่นจะช่วยลดอันตรายที่เกี่ยวข้องกับฝุ่นได้
- ## 4) การใช้และการดูแลรักษาเครื่องมือไฟฟ้า
- ก) ห้ามฝืนใช้งานเครื่องมือไฟฟ้า เลือกใช้เครื่องมือไฟฟ้าที่ถูกต้องตรงกับลักษณะการใช้งานของคุณ เครื่องมือไฟฟ้าที่ถูกต้องจะทำงานได้ดีกว่าและปลอดภัยกว่าในอัตราที่เครื่องมือได้รับการออกแบบมา
 - ข) ห้ามใช้เครื่องมือไฟฟ้าถ้าสวิตช์เปิดปิดเครื่องไม่ทำงาน เครื่องมือไฟฟ้าที่ไม่สามารถควบคุมด้วยสวิตช์ได้ถือว่าเป็นอันตรายและต้องส่งซ่อม
 - ค) ถอดปลั๊กของเครื่องมือไฟฟ้าออกจากแหล่งจ่ายไฟ และ/หรือ แบตเตอรี่ก่อนทำการปรับแต่ง เปลี่ยนอุปกรณ์เสริม หรือจัดเก็บมาตรการเพื่อความปลอดภัยเชิงการป้องกันนี้จะช่วยลดความเสี่ยงในการเปลือเปิดเครื่องให้ทำงานโดยไม่ตั้งใจ
 - ง) เก็บเครื่องมือไฟฟ้าที่พร้อมใช้งานไว้ให้พ้นมือเด็ก และห้ามให้บุคคลที่ไม่คุ้นเคยกับเครื่องมือไฟฟ้าหรือคำแนะนำเหล่านี้เป็นผู้ใช้เครื่องมือ เครื่องมือไฟฟ้าจะเป็นอันตรายหากอยู่ในมือผู้ใช้ที่ไม่มีความชำนาญ
 - จ) บำรุงรักษาเครื่องมือไฟฟ้า ตรวจสอบการวางตำแหน่งไม่ถูกต้องหรือการผูกยึดชิ้นส่วนที่เคลื่อนที่ รอยแตกของชิ้นส่วนและสภาพอื่นๆ ที่อาจส่งผลกระทบต่อการทำงานของเครื่องมือไฟฟ้า หากชำรุดเสียหาย ให้ส่งซ่อมก่อนนำมาใช้ อุบัติเหตุจำนวนมากเกิดจากเครื่องมือไฟฟ้าที่มีการดูแลรักษาไม่ดีพอ
 - ฉ) เครื่องมือตัดต้องคมและสะอาดอยู่เสมอ เครื่องมือตัดที่ดูแลรักษาอย่างเหมาะสมและมีขอบสำหรับงานตัดที่คม จะไม่ค่อยติดขัดและควบคุมได้ง่าย
 - ช) ใช้เครื่องมือไฟฟ้า อุปกรณ์เสริมและชุดอุปกรณ์ต่างๆ ให้สอดคล้องกับคำแนะนำเหล่านี้ โดยพิจารณาถึงสภาพการทำงานและงานที่ทำเป็นสำคัญ การใช้เครื่องมือไฟฟ้าทำงานอื่นนอกเหนือจากที่กำหนดไว้อาจทำให้เกิดอันตรายได้

5) การบริการ

- ก) ให้ช่างซ่อมที่มีความเชี่ยวชาญเป็นผู้ซ่อมเครื่องมือและใช้อะไหล่ของแท้เท่านั้น ซึ่งจะช่วยรับประกันได้ว่าเครื่องมือไฟฟ้ายังมีความปลอดภัยอยู่

คำแนะนำด้านความปลอดภัยเพิ่มเติมสำหรับเครื่องสักรีดทำลายคอนกรีต

- สวมอุปกรณ์ป้องกันหู เสียงที่ดังมากๆ อาจทำให้สูญเสียความสามารถในการได้ยิน
- ใช้มือจับเสริมที่นำมาพร้อมกับเครื่อง การสูญเสียการควบคุมเครื่องอาจทำให้ได้รับบาดเจ็บได้
- จับเครื่องมือไฟฟ้าที่พื้นผิวส่วนที่ใช้จับซึ่งมีฉนวนป้องกันในขณะที่ทำงานที่เครื่องมือตัดอาจสัมผัสกับสายไฟที่ซ่อนอยู่หรือสายไฟของตัวเครื่องเองได้ อุปกรณ์เสริมที่ใช้กับงานตัดที่สัมผัสกับสายไฟ “ที่มีไฟฟ้า” อาจทำให้ส่วนที่เป็นโลหะของเครื่องมือที่ถูกสัมผัส “มีไฟฟ้า” และทำให้ผู้ใช้เครื่องถูกไฟดูดได้
- ตรวจสอบให้แน่ใจว่าวัสดุที่จะไม่ไร้ระบบไฟฟ้าหรือแก๊สอยู่ภายใน และมีการตรวจสอบตำแหน่งแล้ว โดยบริษัทที่ให้บริการด้านสาธารณูปโภค
- จับเครื่องมือให้มั่นคงตลอดเวลา อย่าใช้เครื่องมือทำงานใดๆ โดยไม่จับเครื่องมือด้วยมือทั้งสองข้าง การใช้เครื่องมือนี้ด้วยมือข้างเดียวจะทำให้สูญเสียการควบคุม การเจาะทะลุหรือการเจาะเข้าวัสดุที่แข็งอย่างเช่น เหล็กเส้น อาจก่อให้เกิดอันตรายได้เช่นกัน โปรดขันมือจับเสริมด้านข้างให้แน่นก่อนใช้งาน
- ดอกสักรีดต้องยึดเข้าในตำแหน่งดีแล้วก่อนการใช้งานเครื่องมือ
- ในสภาพอากาศที่หนาวเย็น หรือเมื่อไม่มีการใช้เครื่องมือต่อเนื่องเป็นเวลานาน ให้เปิดเครื่องทำงานโดยไม่มีการะโหลดเป็นเวลาหลายนาทีก่อนการใช้งาน
- เมื่อทำงานเหนือพื้นราบ ตรวจสอบให้แน่ใจว่าบริเวณด้านล่างไม่มีสิ่งกีดขวาง
- ห้ามสัมผัสดอกสักรีดหรือส่วนที่อยู่ใกล้กับดอกสักรีดทันทีหลังการใช้งาน เนื่องจากชิ้นส่วนเหล่านี้อาจมีความร้อนสูงและอาจทำให้ผิวหนังเป็นแผลไหม้ได้
- ควรปรับสายไฟไปทางด้านหลังทุกครั้ง ให้ห่างจากดอกสักรีด
- อย่าใช้งานเครื่องมือนี้ต่อเนื่องเป็นเวลานาน แรงสั่นสะเทือนที่เกิดจากการตอกกระแทก อาจทำให้เกิดอันตรายต่อมือและแขนของคุณ ใช้ถุงมือเพื่อดูดซับแรงสั่นสะเทือนบางส่วน และจำกัดแรงสั่นสะเทือนโดยหยุดเครื่องเป็นระยะๆ

ความเสี่ยงสะสม

การใช้งานเครื่องสักรีดทำลายคอนกรีตจะมีความเสี่ยงดังต่อไปนี้:

- การบาดเจ็บจากการสัมผัสอุปกรณ์ส่วนที่ร้อน แม้จะปฏิบัติตามข้อกำหนดด้านความปลอดภัยที่เกี่ยวข้องและใช้อุปกรณ์นิรภัย แต่ยังไม่สามารถหลีกเลี่ยงความเสี่ยงสะสมบางประเภทได้ ความเสี่ยงเหล่านั้นได้แก่:
 - ความบกพร่องในการได้ยินเสียง
 - ความเสี่ยงของการหนีบถูกนิ้วในขณะที่เปลี่ยนอุปกรณ์เสริม
 - อันตรายต่อสุขภาพซึ่งมีสาเหตุจากการสูดหายใจเอาฝุ่นที่เกิดจากการทำงานกับคอนกรีต และ/หรือ ปูน

สัญลักษณ์บนเครื่องมือ

รูปภาพต่อไปนี้จะปรากฏบนเครื่องมือ:



อ่านคู่มือการใช้งานก่อนใช้เครื่อง

ตำแหน่งของรหัสนี้ (ภาพ 1)

รหัสนี้ (g) ซึ่งรวมถึง ปีที่ผลิต จะพิมพ์ไว้บนตัวเครื่องตัวอย่างเช่น:

2011 XX XX
ปีที่ผลิต

รายการส่วนประกอบบรรจุภัณฑ์

สิ่งของในบรรจุภัณฑ์ได้แก่:

- 1 เครื่องสักรีดทำลายคอนกรีต
- 1 มือจับเสริมด้านข้าง
- 1 ดอกสักรีดปลายแหลม
- 1 กล่องพลาสติก
- 1 คู่มือการใช้งาน
- โปรดตรวจสอบร่องรอยความเสียหายของเครื่องมือชิ้นส่วน หรืออุปกรณ์เสริม ที่อาจเกิดขึ้นในระหว่างการขนส่ง
- โปรดอ่านและทำความเข้าใจคู่มือเล่มนี้ก่อนการใช้งาน

คำอธิบาย (ภาพ 1)

- ก. สวิตช์เปิด/ปิด
- ข. มือจับหลัก
- ค. หัวจับของมือจับเสริมด้านข้าง
- ง. ตัวยึดอุปกรณ์
- จ. ที่จับอุปกรณ์
- ฉ. มือจับเสริมด้านข้าง

วัตถุประสงค์ในการใช้งาน

เครื่องสกัดทำลายคอนกรีตสำหรับงานหนัก D25960, D25961 ออกแบบมาเพื่อการสกัดทำลายและการตัดทำลายที่เป็นงานหนัก

ห้าม ใช้ในบริเวณที่เปียกชื้น หรือมีของเหลวไวไฟหรือแก๊สอยู่ในบริเวณดังกล่าว

เครื่องสกัดทำลายคอนกรีตสำหรับงานหนักเหล่านี้เป็นเครื่องมือไฟฟ้าสำหรับมืออาชีพ

ห้าม เด็กสัมผัสกับเครื่องมือไฟฟ้า ผู้ใช้ที่ไม่มีประสบการณ์มาก่อน ต้องได้รับการแนะนำในขณะใช้เครื่องมือนี้

ตัวควบคุมแรงสั่นสะเทือนแบบแฉีกทีพ

ตัวควบคุมแรงสั่นสะเทือนแบบแฉีกทีพทำหน้าที่ดูดซับแรงสั่นสะเทือนที่สะท้อนมาจากการตอกกระแทกให้ลดน้อยลง การลดระดับการสั่นของมือและแขนให้ต่ำลงจะช่วยให้ใช้เครื่องมือได้อย่างสบายเป็นเวลานานขึ้น และยังช่วยยืดอายุการใช้งานของเครื่องด้วย

ความปลอดภัยทางไฟฟ้า

มอเตอร์ไฟฟ้าออกแบบมาเพื่อใช้กับแรงดันไฟฟ้าขนาดเดียวกันนั้น ต้องตรวจสอบกำลังไฟเพื่อให้ตรงกับแรงดันไฟฟ้าบนแผ่นแสดงพิกัดเสมอ



เครื่องมือไฟฟ้าของ DEWALT ใช้ระบบฉนวนสองชั้นสอดคล้องกับ EN 60745 จึงไม่จำเป็นต้องใช้สายดิน

ถ้าสายไฟของตัวเครื่องชำรุดเสียหาย ต้องเปลี่ยนเป็นสายไฟที่จัดเตรียมมาเป็นพิเศษซึ่งสั่งซื้อได้จากศูนย์บริการของ DEWALT

การใช้สายพ่วง

ในกรณีที่จำเป็นต้องใช้สายพ่วง ให้ใช้สายพ่วง 3 ขั้วที่มีการรับรองและเหมาะกับปริมาณไฟเข้าของอุปกรณ์ (ดูที่ข้อมูลทางด้านเทคนิค) ขนาดของลวดนำไฟฟ้าต่ำสุดคือ 1.5 มม.² ความยาวสูงสุดคือ 30 ม.

เมื่อใช้อุปกรณ์ม้วนเก็บสายไฟ ให้คลายสายไฟออกจนหมดก่อน

การประกอบและปรับแต่ง



คำเตือน: เพื่อลดความเสี่ยงจากการบาดเจ็บให้ปิดเครื่องมือและถอดปลั๊กเครื่องมือออกจากแหล่งจ่ายไฟก่อนการประกอบและถอดอุปกรณ์เสริม ก่อนการปรับแต่งหรือเปลี่ยนชุดติดตั้ง หรือขณะทำการซ่อมแซม สวิตช์ปรับระดับความเร็วต้องอยู่ในตำแหน่ง "ปิด" การปล่อยเปิดเครื่องโดยไม่ตั้งใจอาจทำให้เกิดการบาดเจ็บได้



คำเตือน: สวมถุงมือขณะเปลี่ยนอุปกรณ์เสริมเสมอ ชิ้นส่วนโลหะบนเครื่องมือและอุปกรณ์เสริมอาจร้อนมากในระหว่างการทำงาน

การใส่และการถอดประกอบอุปกรณ์เสริม Hex ทกเหลี่ยม 28/30 มม. (ภาพ 3, 4)

D25960

เครื่องมือนี้ใช้ดอกสกัดที่มีก้านหกเหลี่ยมขนาด 28 มม.

D25961

เครื่องมือนี้ใช้ดอกสกัดที่มีก้านหกเหลี่ยมขนาด 30 มม.

ผลิตภัณฑ์นี้ควรใช้กับอุปกรณ์เสริมที่ DEWALT แนะนำเท่านั้น

1. ทำความสะอาดก้านของดอกสกัด (ภาพ 3)

D25960

วิธีการประกอบดอกสกัดแบบมีร่องบนก้าน (ภาพ 4A)

1. ดึงตัวยึดอุปกรณ์ (d) ไปที่ตำแหน่งปลดล๊อค
2. ถอดดอกสกัดไว้ที่ด้านหน้าของที่จับอุปกรณ์ โดยให้ร่อง (h) หันขึ้นด้านบน
3. ใส่ดอกสกัดลงในที่จับอุปกรณ์ (e)
4. ดันตัวยึด (d) กลับเพื่อล๊อคอุปกรณ์เสริมให้เข้าที่
5. ลองดึงดอกสว่านออกเพื่อตรวจสอบว่าดอกสว่านล๊อคอยู่ในตำแหน่งถูกต้องแล้ว สำหรับคุณสมบัติการเจาะตอก ดอกสกัดจะต้องเคลื่อนตามแนวแกนได้หลายเซนติเมตรเมื่อล๊อคอยู่ในที่จับอุปกรณ์
6. หากต้องการถอดดอกสกัด ให้ดึงตัวยึด (d) กลับและถอดดอกสกัดออกจากที่จับอุปกรณ์ (e)

วิธีการประกอบดอกสกัดแบบมีปลอกบนก้าน (ภาพ 4B)

1. ดึงตัวยึดอุปกรณ์ (d) ไปที่ตำแหน่งปลดล๊อค
2. ใส่ดอกสกัดลงในที่จับอุปกรณ์ (e)
3. ดันตัวยึด (d) ไปพร้อมกับก้านอุปกรณ์เสริมเพื่อล๊อคอุปกรณ์เสริมให้เข้าที่
4. ลองดึงดอกสว่านออกเพื่อตรวจสอบว่าดอกสว่านล๊อคอยู่ในตำแหน่งถูกต้องแล้ว สำหรับคุณสมบัติ

การเจาะดอก ดอกสกัดจะต้องเคลื่อนตามแนวแกน ได้หลายเซนติเมตรเมื่อล้อยู่ในที่จับอุปกรณ์

5. หากต้องการถอดดอกสกัด ให้ดึงตัวยึด (d) กลับ และถอดดอกสกัดออกจากที่จับอุปกรณ์ (e)

D25961

วิธีการประกอบดอกสกัดแบบมีร่องบนก้าน (ภาพ 4C)

1. ดึงโบลท์ตัวยึด (i) และหมุนโบลท์ไป 180° ไปยังตำแหน่งปลดล็อก
2. ถีอดดอกสกัดไว้ที่ด้านหน้าของที่จับอุปกรณ์ โดยให้ร่อง (h) หันขึ้นด้านบน
3. ใส่ดอกสกัดลงในที่จับอุปกรณ์ (e)
4. ดึงโบลท์ตัวยึด (i) และหมุนโบลท์ไป 180° กลับไปยังตำแหน่งล็อก
5. ลองดึงดอกสว่านออกเพื่อตรวจสอบว่าดอกสว่าน ล้อยู่ในตำแหน่งถูกต้องแล้ว สำหรับคุณสมบัติ การเจาะดอก ดอกสกัดจะต้องเคลื่อนตามแนวแกน ได้หลายเซนติเมตรเมื่อล้อยู่ในที่จับอุปกรณ์
6. หากต้องการถอดดอกสกัดให้ดึงโบลท์ตัวยึด (i) และ หมุนโบลท์ไป 180° ไปยังตำแหน่งปลดล็อก

การปรับมือจับเสริมด้านข้าง (ภาพ 1)

มือจับเสริมด้านข้าง (f) ติดตั้งอยู่กับเครื่องมือเพื่อให้ เหมาะกับทั้งผู้ใช้ที่ถนัดมือซ้ายและมือขวา



คำเตือน: ใช้งานเครื่องมือโดยที่มือจับเสริม ด้านข้างติดตั้งอย่างถูกต้องเสมอ

1. คลายหัวจับ (c) และหมุนมือจับด้านข้างให้อยู่ใน ตำแหน่งที่ต้องการ
2. ล็อคมือจับเสริมด้านข้างเข้าในตำแหน่งโดยการขัน หัวจับให้แน่น (c)

การใช้งานเครื่อง

วิธีการใช้เครื่อง



คำเตือน:

- ทำตามคำแนะนำด้านความปลอดภัยและ ข้อกำหนดที่ให้เสมอ
- ระวังตำแหน่งของระบบท่อน้ำและสายไฟ
- ออกแรงกดไปยังเครื่องมือประมาณ 20 - 30 กก. การออกแรงกดมากเกินไป ไม่ได้ช่วยให้สามารถสกัดได้เร็วขึ้น แต่ยังเป็น การลดประสิทธิภาพของเครื่องมือ และ ทำให้เครื่องมืออายุการใช้งานสั้นลงอีกด้วย

ตำแหน่งการจับที่เหมาะสม (ภาพ 2)



คำเตือน: เพื่อลดความเสี่ยงจากการได้รับ บาดเจ็บสาหัส ให้จับเครื่องมือในตำแหน่ง ที่เหมาะสมดังแสดงในภาพเสมอ



คำเตือน: เพื่อลดความเสี่ยงจากการได้รับ บาดเจ็บสาหัส จะต้องจับเครื่องมือให้แน่น ทุกครั้ง เพื่อเตรียมรับมือหากเกิดการตบ สั่นองขึ้นแบบทันทีทันใด

ข้อสำคัญ: ระหว่างใช้งานต้องจับอุปกรณ์ด้วยมือทั้งสอง ข้างเสมอ

การใช้งานในแนวนอน (ภาพ 2A):

ตำแหน่งของการจับที่ถูกตองคือมือหนึ่งจับที่มือจับเสริม ด้านข้าง (f) อีกมือหนึ่งจับที่มือจับหลัก (b)

การใช้งานในแนวตั้ง (ภาพ 2B):

ตำแหน่งของการจับที่ถูกตองคือทั้งสองมือจับที่มือจับหลัก (b)

การเปิดและปิดสวิตช์ (ภาพ 1)

การเปิดสวิตช์: ตั้งสวิตช์เปิด/ปิด (a) ไปที่ตำแหน่ง 1

การปิดสวิตช์: ตั้งสวิตช์เปิด/ปิด (a) ไปที่ตำแหน่ง 0

การเจาะ การถาก และการขุดร่อง (ภาพ 1, 2)

1. เลือกดอกสกัดที่เหมาะสมและทำความสะอาดก้าน ของดอกสกัด
2. ใส่ดอกสกัดและตรวจสอบว่าดอกสกัดล้อยู่ใน ตำแหน่งถูกต้องแล้ว
3. ติดตั้งและปรับมือจับเสริมด้านข้าง (f) และตรวจสอบ ให้แน่ใจว่าขันแน่นแล้ว
4. จับอุปกรณ์ด้วยมือทั้งสองข้างที่มีมือจับหลัก (b) หรือ จับด้วยมือข้างเดียวที่มีมือจับหลัก (b) และจับอีกข้างที่ มือจับเสริมด้านข้าง (f) ระหว่างใช้งานต้องจับอุปกรณ์ ด้วยมือทั้งสองข้างเสมอ โปรดดู ตำแหน่งการจับที่ เหมาะสม
5. เปิดสวิตช์อุปกรณ์เพื่อทำงานต่อเนื่อง
6. ปิดสวิตช์เครื่องมือทุกครั้งเมื่อทำงานเสร็จแล้วและ ก่อนดึงปลั๊กออก

ดอกสกัดชนิดต่างๆ มีจำหน่ายเป็นอุปกรณ์เสริม

ผลิตภัณฑ์นี้ควรถูกใช้กับอุปกรณ์เสริมที่ DEWALT แนะนำ เท่านั้น

การบำรุงรักษา

เครื่องมือไฟฟ้า DEWALT ออกแบบมาเพื่อให้สามารถใช้งานได้อย่างยาวนานต่อเนื่องด้วยการบำรุงรักษาน้อยที่สุด การทำงานที่สร้างความพึงพอใจอย่างต่อเนื่องจะขึ้นอยู่กับการดูแลรักษาที่เหมาะสมและการทำความสะอาดอย่างสม่ำเสมอ

เครื่องมือนี้ผู้ใช้ไม่สามารถซ่อมเองได้ โปรดนำเครื่องมือไปที่ศูนย์บริการ DEWALT ที่ได้รับอนุญาตดูแลเป็นระยะ

หากมีปัญหาก่เกิดขึ้นก่อนกำหนดดังกล่าว ให้ติดต่อศูนย์บริการ DEWALT ที่ได้รับอนุญาต

การบำรุงรักษาอุปกรณ์เสริม (ภาพ 5, 6)



คำเตือน: ดอกสกัดเหล่านี้สามารถเจียรใหม่ได้ในจำนวนครั้งที่จำกัดเท่านั้น ถ้ามีข้อสงสัย ให้ติดต่อตัวแทนจำหน่ายของคุณเพื่อขอคำแนะนำ



คำเตือน: ตรวจสอบดูว่าขอบตัดไม่เปลี่ยนเป็นสีม่วงเนื่องจากการใช้แรงดันมากเกินไป ซึ่งอาจส่งผลต่อความแข็งแรงของอุปกรณ์เสริม

ใช้ชุดดอกสกัดที่คมเพื่อให้ได้ผลลัพธ์ที่ดีที่สุด การลับคมชุดดอกสกัดเป็นประจำจะช่วยรับประกันอายุการใช้งานของชุดดอกสกัดให้ยาวนานและได้ผลลัพธ์ที่ดีที่สุด

การเจียร

โปรดดูภาพที่ 5 สำหรับชนิดของดอกสกัดที่จะใช้กับอุปกรณ์นี้

เจียรดอกสกัดกับแผ่นเจียรที่มีน้ำหล่อตลอดเวลา โปรดดูภาพ 6 สำหรับมุมที่เหมาะสมของดอกสกัดต่อไปนี้:

- k. ดอกสกัดปลายแหลม
- l. ดอกสกัดปลายแบน
- m. ดอกสกัดหน้ากว้าง
- n. พลั่วสกัดดิน

การหลอม

สำหรับการหลอม:

ให้ความร้อนดอกสกัดจนมีอุณหภูมิ 850–1050°C (สีแดงอ่อน–เหลือง)

วิธีชุบแข็งดอกสกัดใหม่อีกครั้ง:

- ให้ความร้อนดอกสกัดจนมีอุณหภูมิ 900°C แล้วชุบระบายความร้อนในน้ำมัน
- จากนั้นอบดอกสกัดเป็นเวลา 1 ชั่วโมงด้วยความร้อน 320°C (สีฟ้าอ่อน)



การหล่อลื่น

ไม่ต้องใช้สารหล่อลื่นเพิ่มเติมกับเครื่องมือไฟฟ้านี้



การทำความสะอาด



คำเตือน: เป่าสิ่งสกปรกและฝุ่นละอองที่สะสมออกจากตัวเครื่องเป็นประจำด้วยลมแห้ง เนื่องจากสิ่งสกปรกมีสะสมอยู่ภายในและรอบๆ ช่องระบายอากาศ สวมอุปกรณ์ป้องกันดวงตาในขณะดำเนินการขั้นตอนนี้



คำเตือน: ห้ามใช้สารที่เป็นตัวทำละลายหรือสารเคมีที่มีฤทธิ์กัดกร่อนรุนแรงอื่นๆ ทำความสะอาดชิ้นส่วนของเครื่องมือที่ไม่ใช่โลหะ สารเคมีเหล่านี้อาจส่งผลให้วัสดุที่ใช้ในชิ้นส่วนเหล่านี้เปราะขึ้น ใช้เฉพาะผ้าชุบน้ำสบู่อ่อนๆ เท่านั้น อย่าให้มีของเหลวค้างอยู่ในเครื่อง ห้ามจุ่มส่วนใดๆ ของเครื่องมือลงในของเหลว

อุปกรณ์เสริม



คำเตือน: เนื่องจากอุปกรณ์เสริมอื่นนอกเหนือจากที่ DEWALT มีจำหน่าย ไม่ได้ผ่านการทดสอบร่วมกับผลิตภัณฑ์นี้ จึงอาจเป็นอันตรายหากใช้อุปกรณ์เสริมดังกล่าวร่วมกับเครื่องมือนี้ ลดความเสี่ยงจากการได้รับบาดเจ็บด้วยการใช้อุปกรณ์เสริมเฉพาะที่ DEWALT แนะนำให้ใช้ร่วมกับผลิตภัณฑ์นี้เท่านั้น

โปรดติดต่อตัวแทนจำหน่ายหากต้องการข้อมูลเพิ่มเติมเกี่ยวกับอุปกรณ์เสริมที่เหมาะสม

การปกป้องสิ่งแวดล้อม



การเก็บขยะเพื่อคัดแยก ห้ามทิ้งผลิตภัณฑ์นี้ร่วมกับขยะในครัวเรือนปกติ



หากวันหนึ่งคุณจำเป็นต้องเปลี่ยนผลิตภัณฑ์ DEWALT ของคุณ หรือเครื่องมือนี้ไม่เป็นประโยชน์สำหรับคุณอีกต่อไป อย่าทิ้งผลิตภัณฑ์นี้ร่วมกับขยะในครัวเรือน โปรดทิ้งผลิตภัณฑ์นี้เป็นขยะเพื่อการคัดแยก



การเก็บขยะเพื่อคัดแยกสำหรับบรรจุภัณฑ์และผลิตภัณฑ์ที่ใช้แล้วทำให้สามารถ

รีไซเคิลวัสดุและนำมาใช้งานได้อีกครั้ง
การนำวัสดุรีไซเคิลมาใช้ใหม่จะช่วยป้องกัน
มลพิษต่อสิ่งแวดล้อมและลดความต้องการ
วัตถุดิบ

ตามกฎระเบียบท้องถิ่นอาจมีการจัดเตรียมสถานที่
สำหรับการเก็บรวบรวมแบบคัดแยกอุปกรณ์ไฟฟ้าที่
ใช้ภายในครัวเรือนไว้ ณ แหล่งรับขยะของเทศบาล
หรืออาจมีการรับอุปกรณ์ใช้แล้วจากผู้ค้าปลีกในกรณี
ที่คุณซื้อผลิตภัณฑ์ชิ้นใหม่

DEWALT ให้บริการอำนวยความสะดวกในการจัดเก็บ
และรีไซเคิลผลิตภัณฑ์ของ DEWALT เมื่อผลิตภัณฑ์นั้น
สิ้นสุดอายุการใช้งาน หากต้องการรับบริการดังกล่าว
จากเรา โปรดส่งผลิตภัณฑ์ของคุณคืนศูนย์บริการที่
ได้รับอนุญาต ซึ่งจะทำหน้าที่เป็นตัวแทนของเราในการ
เก็บรวบรวมผลิตภัณฑ์

คุณสามารถตรวจเช็คศูนย์บริการใกล้บ้านที่ได้รับ
อนุญาตโดยติดต่อไปที่สำนักงาน DEWALT ประจำพื้นที่
ตามที่อยู่ที่ให้ไว้ในคู่มือเล่มนี้ หรือ คุณอาจตรวจเช็ค
รายชื่อศูนย์บริการ DEWALT ที่ได้รับอนุญาต รวมทั้ง
รายละเอียดต่างๆ ของบริการหลังการขายได้ทาง
อินเทอร์เน็ต ที่: www.2helpU.com

