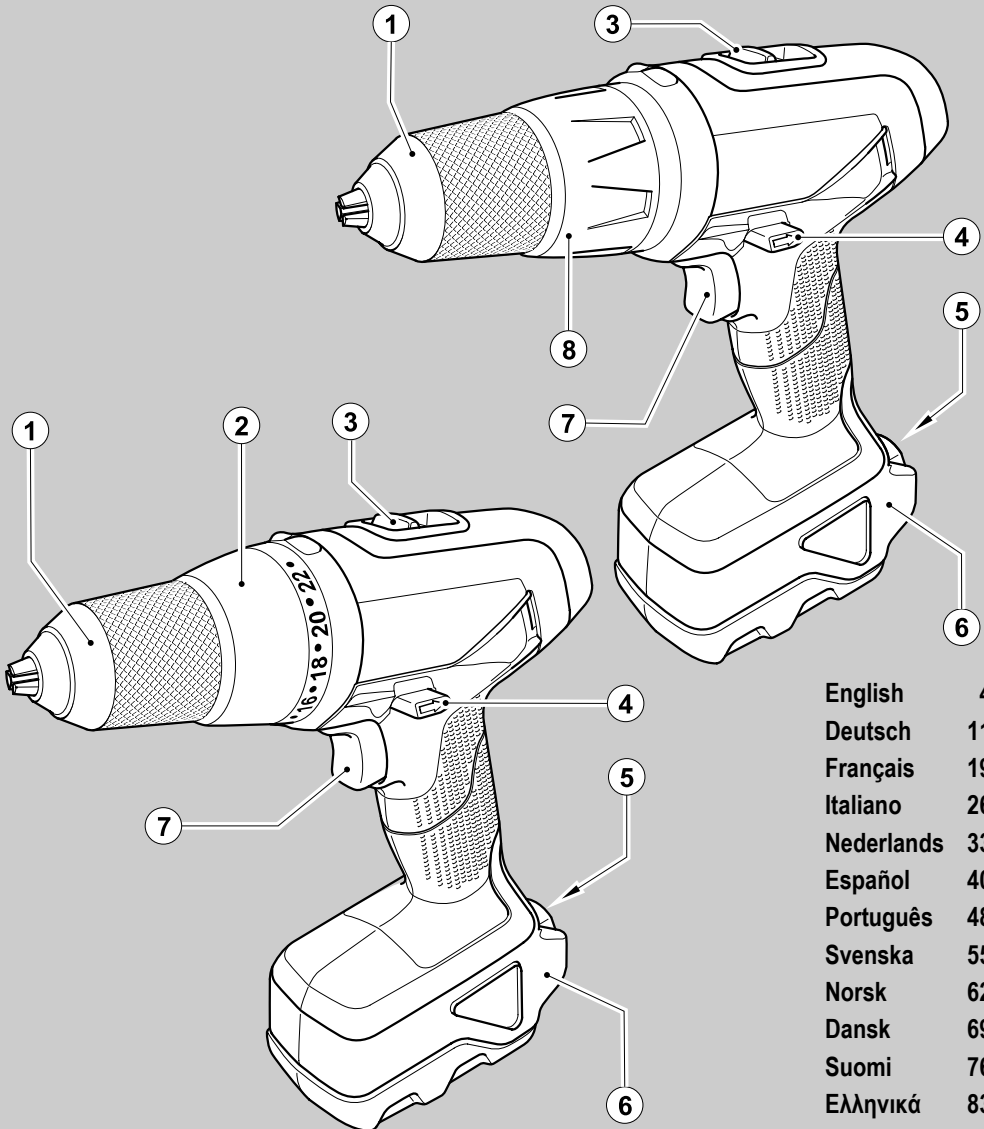
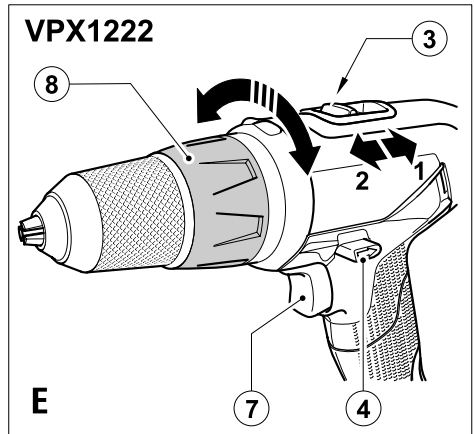
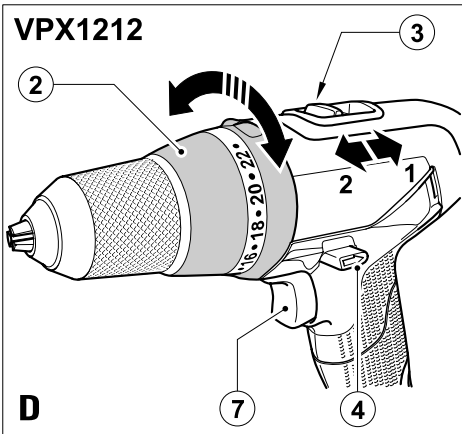
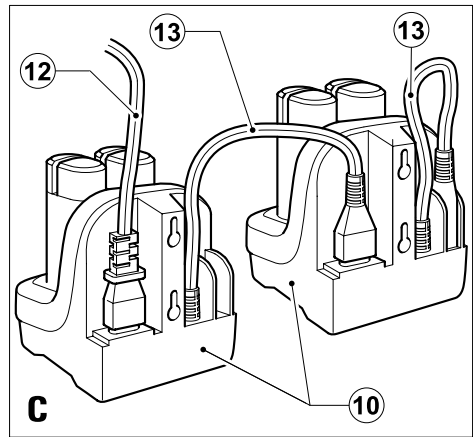
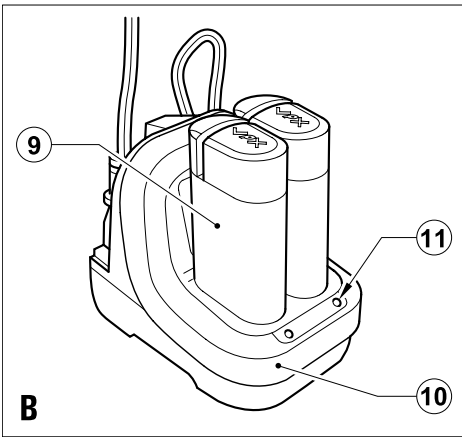
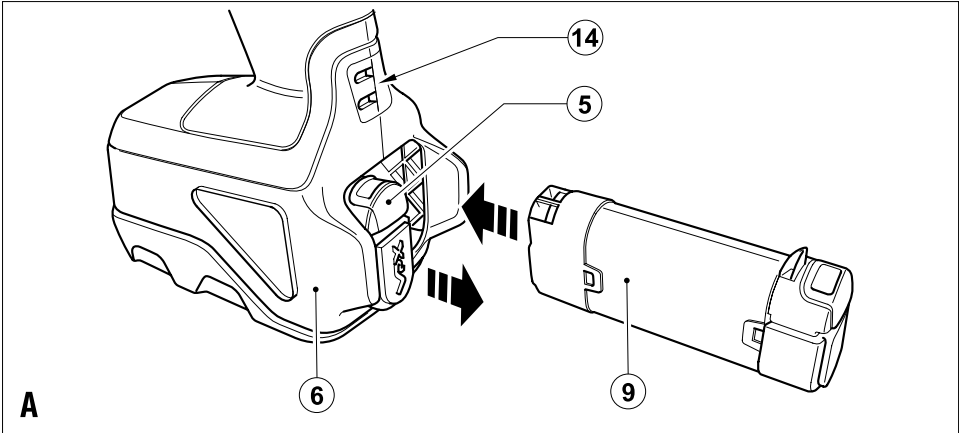


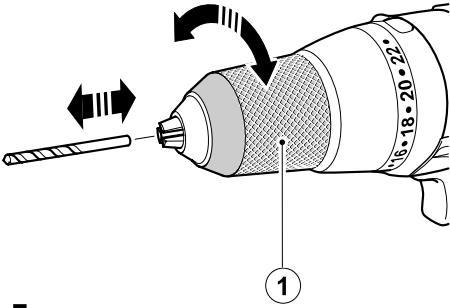
BLACK & DECKER®



English	4
Deutsch	11
Français	19
Italiano	26
Nederlands	33
Español	40
Português	48
Svenska	55
Norsk	62
Dansk	69
Suomi	76
Ελληνικά	83

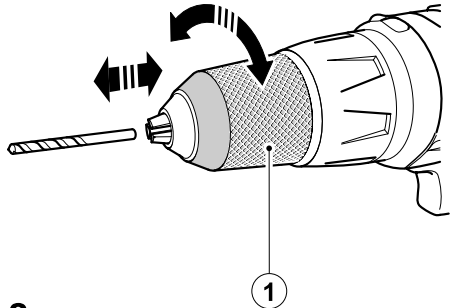


VPX1212



F

VPX1222



G

Intended use

Your Black & Decker cordless drill/screwdriver has been designed for drilling in wood, metal and plastics as well as for screwdriving purposes. The VPX1222 cordless drill/screwdriver has also been designed for drilling in soft masonry. This tool is intended for consumer use only.

Safety instructions

General power tool safety warnings



Warning! Read all safety warnings and all instructions. Failure to follow all instructions may result in electric shock, fire and/or serious injury.

Save all warnings and instructions for future reference.

1. The term "power tool" in all of the warnings listed below refers to your mains operated (corded) power tool or battery operated (cordless) power tool.
1. **Work area safety**
 - a. **Keep work area clean and well lit.** Cluttered and dark areas invite accidents.
 - b. **Do not operate power tools in explosive atmospheres, such as in the presence of flammable liquids, gases or dust.** Power tools create sparks which may ignite the dust or fumes.
 - c. **Keep children and bystanders away while operating a power tool.** Distractions can cause you to lose control.
2. **Electrical safety**
 - a. **Power tool plugs must match the outlet. Never modify the plug in any way. Do not use any adapter plugs with earthed (grounded) power tools.** Unmodified plugs and matching outlets will reduce risk of electric shock.
 - b. **Avoid body contact with earthed or grounded surfaces such as pipes, radiators, ranges and refrigerators.** There is an increased risk of electric shock if your body is earthed or grounded.
 - c. **Do not expose power tools to rain or wet conditions.** Water entering a power tool will increase the risk of electric shock.
 - d. **Do not abuse the cord. Never use the cord for carrying, pulling or unplugging the power tool. Keep cord away from heat, oil, sharp edges or moving parts.** Damaged or entangled cords increase the risk of electric shock.
 - e. **When operating a power tool outdoors, use an extension cord suitable for outdoor use.** Use of a cord suitable for outdoor use reduces the risk of electric shock.
- f. **If operating a power tool in a damp location is unavoidable, use a residual current device (RCD) protected supply.** Use of an RCD reduces the risk of electric shock.
3. **Personal safety**
 - a. **Stay alert, watch what you are doing and use common sense when operating a power tool. Do not use a power tool while you are tired or under the influence of drugs, alcohol or medication.** A moment of inattention while operating power tools may result in serious personal injury.
 - b. **Use personal protective equipment. Always wear eye protection.** Protective equipment such as dust mask, non-skid safety shoes, hard hat, or hearing protection used for appropriate conditions will reduce personal injuries.
 - c. **Prevent unintentional starting. Ensure the switch is in the off-position before connecting to power source and/or battery pack, picking up or carrying the tool.** Carrying power tools with your finger on the switch or energising power tools that have the switch on invites accidents.
 - d. **Remove any adjusting key or wrench before turning the power tool on.** A wrench or a key left attached to a rotating part of the power tool may result in personal injury.
 - e. **Do not overreach. Keep proper footing and balance at all times.** This enables better control of the power tool in unexpected situations.
 - f. **Dress properly. Do not wear loose clothing or jewellery. Keep your hair, clothing and gloves away from moving parts.** Loose clothes, jewellery or long hair can be caught in moving parts.
 - g. **If devices are provided for the connection of dust extraction and collection facilities, ensure these are connected and properly used.** Use of these devices can reduce dust related hazards
4. **Power tool use and care**
 - a. **Do not force the power tool. Use the correct power tool for your application.** The correct power tool will do the job better and safer at the rate for which it was designed.
 - b. **Do not use the power tool if the switch does not turn it on and off.** Any power tool that cannot be controlled with the switch is dangerous and must be repaired.
 - c. **Disconnect the plug from the power source and/or the battery pack from the power tool before making any adjustments, changing accessories, or storing power tools.** Such preventive safety measures reduce the risk of starting the power tool accidentally.

- d. **Store idle power tools out of the reach of children and do not allow persons unfamiliar with the power tool or these instructions to operate the power tool.** Power tools are dangerous in the hands of untrained users.
- e. **Maintain power tools. Check for misalignment or binding of moving parts, breakage of parts and any other condition that may affect the power tools operation. If damaged, have the power tool repaired before use.** Many accidents are caused by poorly maintained power tools.
- f. **Keep cutting tools sharp and clean.** Properly maintained cutting tools with sharp cutting edges are less likely to bind and are easier to control.
- g. **Use the power tool, accessories and tool bits etc. in accordance with these instructions, taking into account the working conditions and the work to be performed.** Use of the power tool for operations different from those intended could result in a hazardous situation.
5. **Battery tool use and care**
- a. **Recharge only with the charger specified by the manufacturer.** A charger that is suitable for one type of battery pack may create a risk of fire when used with another battery pack.
- b. **Use power tools only with specifically designated battery packs.** Use of any other battery packs may create a risk of injury and fire.
- c. **When battery pack is not in use, keep it away from other metal objects, like paper clips, coins, keys, nails, screws or other small metal objects, that can make a connection from one terminal to another.** Shorting the battery terminals together may cause burns or a fire.
- d. **Under abusive conditions, liquid may be ejected from the battery; avoid contact. If contact accidentally occurs, flush with water. If liquid contacts eyes, additionally seek medical help.** Liquid ejected from the battery may cause irritation or burns.
6. **Service**
- a. **Have your power tool serviced by a qualified repair person using only identical replacement parts.** This will make sure that the safety of the power tool is maintained.
- ◆ **Use auxiliary handles supplied with the tool.** Loss of control can cause personal injury.
 - ◆ **Hold power tool by insulated gripping surfaces when performing an operation where the fastener may contact hidden wiring or its own cord.** Fasteners contacting a "live" wire may make exposed metal parts of the power tool "live" and shock the operator.
 - ◆ **Use clamps or another practical way to secure and support the workpiece to a stable platform.** Holding the work by hand or against your body leaves it unstable and may lead to loss of control.
 - ◆ **Before drilling holes or driving screws into walls, floors or ceilings, check for the location of wiring and pipes.**
 - ◆ **This tool is not intended** for use by persons (including children) with reduced physical, sensory or mental capabilities, or lack of experience and knowledge, unless they have been given supervision or instruction concerning use of the appliance by a person responsible for their safety. Children should be supervised to ensure that they do not play with the appliance.
 - ◆ **The intended use is described in this instruction manual.** The use of any accessory or attachment or performance of any operation with this tool other than those recommended in this instruction manual may present a risk of personal injury and/or damage to property.

Vibration

The declared vibration emission values stated in the technical data and the declaration of conformity have been measured in accordance with a standard test method provided by EN 60745 and may be used for comparing one tool with another. The declared vibration emission value may also be used in a preliminary assessment of exposure.

Warning! The vibration emission value during actual use of the power tool can differ from the declared value depending on the ways in which the tool is used. The vibration level may increase above the level stated.

When assessing vibration exposure to determine safety measures required by 2002/44/EC to protect persons regularly using power tools in employment, an estimation of vibration exposure should consider, the actual conditions of use and the way the tool is used, including taking account of all parts of the operating cycle such as the times when the tool is switched off and when it is running idle in addition to the trigger time.

Additional power tool safety warnings



Warning! Additional safety warnings for cordless drills and impact drills.

- ◆ **Wear ear protectors with impact drills.** Exposure to noise can cause hearing loss.

Labels on tools



Warning! To reduce the risk of injury, the user must read the instruction manual.

Additional safety instructions for batteries and chargers

Batteries

- ◆ Never attempt to open for any reason.
- ◆ Do not expose the battery to water.
- ◆ Do not expose the battery to heat.
- ◆ Do not store in locations where the temperature may exceed 40 °C.
- ◆ Charge only at ambient temperatures between 10 °C and 40 °C.
- ◆ Charge only using the charger provided with the tool.
- ◆ When disposing of batteries, follow the instructions given in the section "Protecting the environment".

Chargers

- ◆ Use your Black & Decker charger only to charge the battery with which it was supplied. Other batteries could burst, causing personal injury and damage.
- ◆ Never attempt to charge non-rechargeable batteries.
- ◆ Have defective cords replaced immediately.
- ◆ Do not expose the charger to water.
- ◆ Do not open the charger.
- ◆ Do not probe the charger.



The charger is intended for indoor use only.



Read the instruction manual before use.



The charger automatically shuts off if the ambient temperature becomes too high. As soon as the ambient temperature has cooled down, the charger will resume operating.



Charge only at ambient temperatures between 10° C and 40° C.



Charging.

Electrical safety



This charger is double insulated; therefore no earth wire is required. Always check that the power supply corresponds to the voltage on the rating plate.

- ◆ If the supply cord is damaged, it must be replaced by the manufacturer or an authorised Black & Decker Service Centre in order to avoid a hazard.

Features

1. Keyless chuck
2. Torque adjust collar (VPX1212)
3. Speed selector switch
4. Forward/reverse and lock-off button
5. Battery release button (on battery)
6. Battery compartment
7. Variable speed trigger switch
8. Torque adjust collar (VPX1222)

Fig. A

14. Low battery indicators

Assembly

Installing the battery pack (fig. A)

Warning! Make sure that the lock-off button (4) is engaged to prevent accidental switch actuation before removing or installing a battery.

- ◆ Insert the metal terminal end of the battery pack (9) into the battery compartment (6) until you hear the lock click into place and the VPX™ logo shows through the window.

Warning! The battery will only fit one way, do not force it. If the battery does not fit, remove it and put it in the other way.

Removing the battery pack (fig. A)

- ◆ Press the battery pack release button (5) and firmly pull the battery pack (9) out of the battery compartment (6).

Charging the batteries (fig. B)

Warning! Do not charge battery packs at ambient temperatures below 10° C or above 40° C.

Note: The charger will not charge a battery pack if the cell temperature is below approximately 0° C or above 60° C. The battery pack should be left in the charger and the charger will begin to charge automatically when the cell temperature warms up or cools down.

- ◆ Plug in the charger (10) and switch on at the mains.
- ◆ Insert the battery pack (9) into the charger. Make sure that the battery pack is fully seated in the charger (10).
- ◆ The charging indicator (11) will flash continuously (slowly).
- ◆ Leave the battery to charge for at least 5 to 6 hours.
- ◆ The charge is complete when the charging indicator (11) lights continuously
- ◆ The charger and the battery pack can be left connected indefinitely with the LED illuminated. The LED will change to flashing (charging) state, as the charger occasionally "tops off" the battery charge.
- ◆ The charging indicator (11) will be lit as long as the battery pack is connected to the plugged-in charger.

- ◆ Charge discharged batteries within 1 week. Battery life will be greatly diminished if stored in a discharged state.

Charge indicators

If the charger detects a problem with a battery pack, the charge indicator (11) will flash at a fast rate.

- ◆ If this occurs, re-insert the battery pack (9).
- ◆ If the problem persists, put a different battery pack in the charger to determine if the charger is OK.
- ◆ If the new battery pack charges correctly, then the original battery pack is defective and should be returned to a service centre for recycling.
- ◆ If the new battery pack gives the same indication as the original, take the charger to be tested at an authorized service centre.

Note: It may take as long as fifteen minutes to determine that the pack is defective.

If the battery pack is too hot or too cold, the LED will alternately blink fast and slow, one flash at each speed and repeat.

Battery chargers - daisy chaining (fig. C)

Single and dual port chargers can be electrically connected in any order up to a maximum of 4 chargers. Each charger has a power-in cord (12) which plugs into the electrical outlet and a power-out cord (13) which plugs into the next charger.

To connect the chargers in a daisy chain:

- ◆ Plug the power-in cord (12) into an electrical outlet.
- ◆ Remove the power-in cord from the next charger and plug in the power-out cord (13) from the charger that is now plugged into the outlet.
- ◆ Repeat this process for the remaining chargers.

Chargers that are daisy chained together operate independently as though each one was plugged into a separate outlet, therefore a battery can be removed from anywhere along the daisy chain without affecting the other chargers.

Use

Switching on and off (fig. D and E)

- ◆ To switch the tool on, press the variable speed trigger switch (7).
- ◆ To switch the tool off, release the variable speed trigger switch (7).
- ◆ A forward/reverse control button (4) determines the direction of the tool and also serves as a lock off button.
- ◆ To select forward rotation, release the variable speed trigger switch (7) and move the forward/reverse control button (4) to the left, looking forward.
- ◆ To select reverse direction, move the forward/reverse control button (4) in the opposite direction.

- ◆ The centre position of the control button (4) locks the tool in the off position. Make sure that the variable speed trigger switch (7) is released before changing the position of the forward/reverse control button (4).
- ◆ If the tool does not turn on, check to see if one of the two VPX™ battery packs is depleted. See the section 'Battery LED indicators' below.

Battery LED indicators

This product is equipped with electronics which will shut-off the power when either battery pack is depleted. If the tool stops suddenly, one of battery packs may be depleted. An LED (14) on the back of the tool handle will indicate which battery pack is depleted.

In order to illuminate the indicator (14) squeeze the variable speed trigger switch (7). To insure optimal runtime, remove both battery packs and place in a charger. Two battery indicators are located on the back of the tool above the batteries. If battery power is depleted while using your appliance, you can determine which battery needs to be recharged.

To check battery status:

- ◆ Squeeze the trigger and observe which LED is illuminated.
- ◆ Remove the battery pack corresponding to the LED which is illuminated.

Torque control (fig. D and E)

Your tool is fitted with a 24 position collar (2 or 8) to select the operating mode and to set the torque for tightening screws. Large screws and hard workpiece materials require a higher torque setting than small screws and soft workpiece materials.

- ◆ For drilling in wood, metal and plastics, set the collar to the drilling position symbol.
- ◆ For screwdriving, set the collar to the desired setting. If you do not know the appropriate setting, proceed as follows:
 - ◆ Set the collar to the lowest torque setting.
 - ◆ Tighten the first screw.
 - ◆ If the clutch ratchets before the desired result is achieved, increase the collar setting and continue tightening the screw. Repeat until you reach the correct setting. Use this setting for the remaining screws.

Hammer action (VPX1222 only)

Your drill has hammer action:

- ◆ For drilling in masonry, set the torque control collar to the **T** position.

High/low speed selector (fig. D and E)

The 2-speed feature of your drill allows for greater versatility.

- ◆ To select the low speed, high torque setting (position 1), turn the tool off and allow it to stop. Move the speed selector switch (3) towards the back.
- ◆ To select the high speed, low torque setting (position 2), turn the tool off and allow it to stop. Move the speed selector switch (3) towards the front.

Warning! Do not move the speed selector button with the tool switched on.

Keyless chuck (fig. E)

To insert a drill bit or other accessory:

- ◆ Hold the chuck (1) and rotate it in a counter clockwise direction, as viewed from the chuck end.
- ◆ Insert the bit or other accessory fully into the chuck, and tighten securely by rotating the chuck (1) in the clockwise direction.

Warning! Do not attempt to tighten drill bits (or any other accessory) by gripping the chuck and turning the tool on or damage to the chuck and personal injury may occur.

Driving screws

- ◆ When driving screws, the forward/reverse button (4) should be pushed to the left.

Move the forward/reverse button (4) pushed to the right for removing screws.

Drilling

- ◆ Use sharp drill bits only.
- ◆ Support and secure the work properly.
- ◆ Run the drill very slowly, using light pressure, until the hole is started.
- ◆ Apply pressure in a straight line with the bit. Use enough pressure to keep the bit biting but not so much as to stall the motor or deflect the bit.
- ◆ Hold the drill firmly with two hands to control its twisting action.
- ◆ Do not click the trigger of a stalled drill on and off in an attempt to start it. Damage to the drill can result.
- ◆ Minimize stalling on breakthrough by reducing pressure and drilling slowly through the last part of the hole.
- ◆ Keep the motor running while pulling the bit out of a drilled hole. This will help reduce jamming.
- ◆ With variable speed drills there is no need to centre punch the point to be drilled. Use a slow speed to start the hole and accelerate by squeezing the trigger harder when the hole is deep enough to drill without the bit skipping out. Operate at full speed after starting the bit.

Drilling wood

Holes in wood can be made with the same twist drill bits used for metal or with spade bits. These bits should be sharp and should be pulled out frequently when drilling to clear chips from the flutes of the drill.

Drilling in metal

Use a cutting lubricant when drilling metals. The exceptions are cast iron and brass which should be drilled dry. The cutting lubricants that work best are sulfurized cutting oil or lard oil.

Drilling in masonry (VPX1222 only)

Use carbide tipped masonry bits. Refer to the section "Drilling". Keep an even force on the drill but not so much that you crack the brittle material. A smooth, even flow of dust indicates the proper drilling rate.

Maintenance

Your Black & Decker tool has been designed to operate over a long period of time with a minimum of maintenance.

Continuous satisfactory operation depends upon proper tool care and regular cleaning.

Your charger does not require any maintenance apart from regular cleaning.

Warning! Before performing any maintenance on the tool, remove the battery from the tool. Unplug the charger before cleaning it.

- ◆ Regularly clean the ventilation slots in your tool and charger using a soft brush or dry cloth.
- ◆ Regularly clean the motor housing using a damp cloth. Do not use any abrasive or solvent-based cleaner.
- ◆ Regularly open the chuck and tap it to remove any dust from the interior.

Protecting the environment



Separate collection. This product must not be disposed of with normal household waste.

Should you find one day that your Black & Decker product needs replacement, or if it is of no further use to you, do not dispose of it with household waste. Make this product available for separate collection.



Separate collection of used products and packaging allows materials to be recycled and used again. Re-use of recycled materials helps prevent environmental pollution and reduces the demand for raw materials.

Local regulations may provide for separate collection of electrical products from the household, at municipal waste sites or by the retailer when you purchase a new product.

Black & Decker provides a facility for the collection and recycling of Black & Decker products once they have reached the end of their working life. To take advantage of this service please return your product to any authorised repair agent who will collect them on our behalf.

You can check the location of your nearest authorised repair agent by contacting your local Black & Decker office at the address indicated in this manual. Alternatively, a list of authorised Black & Decker repair agents and full details of our after-sales service and contacts are available on the Internet at: www.2helpU.com.

Batteries



Black & Decker batteries can be recharged many times. At the end of their useful life, discard batteries with due care for our environment:

- ◆ Run the battery down completely, then remove it from the tool.
- ◆ Lithium Ion batteries are recyclable. Take them to any authorised repair agent or a local recycling station.

Technical data

	VPX1212	VPX1222
Voltage	Vdc 14	14
Output torque (max)	Nm 23	23
No load speed	rpm 0-350	0-350
	0-1200	0-1200
Max drilling capacity		
Steel	mm 10	10
Concrete	mm N/A	10
Wood	mm 25	25
Weight	kg 1.4	1.47
Charger	type dual port	dual port
Battery	type 2 VPX™ battery packs	2 VPX™ battery packs

EC declaration of conformity

VPX1212 VPX1222

Black & Decker declares that these products conform to:
98/37/EC, EN 60745

Level of sound pressure according to EN 60745:

Sound pressure (L_{pA}) 69.86 dB(A), uncertainty (K) 3 dB(A)
Acoustic power (L_{WA}) 80.86 dB(A), uncertainty (K) 3 dB(A)

Vibration total values (triax vector sum) according to
EN 60745:

Screwdriving without impact (a_h)= 0.869 m/s²,
uncertainty (K) = 1.5 m/s²

Drilling into Metal (a_h)= 0.628 m/s², uncertainty (K) = 1.5 m/s²

Impact drilling into concrete (a_h)= 6.642 m/s²,
uncertainty (K) = 1.5 m/s²

The undersigned is responsible for compilation of the technical file and makes this declaration on behalf of
Black & Decker

Kevin Hewitt
Director of Consumer Engineering
Spennymoor, County Durham DL16 6JG,
United Kingdom
14-10-2007

Guarantee

Black & Decker is confident of the quality of its products and offers an outstanding guarantee. This guarantee statement is in addition to and in no way prejudices your statutory rights. The guarantee is valid within the territories of the Member States of the European Union and the European Free Trade Area.

If a Black & Decker product becomes defective due to faulty materials, workmanship or lack of conformity, within 24 months from the date of purchase, Black & Decker guarantees to replace defective parts, repair products subjected to fair wear and tear or replace such products to make sure of the minimum inconvenience to the customer unless:

- ◆ The product has never been used for trade, professional or hire purposes.
- ◆ The product has been subjected to misuse or neglect.
- ◆ The product has sustained damage through foreign objects, substances or accidents.
- ◆ Repairs have been attempted by persons other than authorised repair agents or Black & Decker service staff.

To claim on the guarantee, you will need to submit proof of purchase to the seller or an authorised repair agent. You can check the location of your nearest authorised repair agent by contacting your local Black & Decker office at the address indicated in this manual. Alternatively, a list of authorised Black & Decker repair agents and full details of our after-sales service and contacts are available on the Internet at:

www.2helpU.com

Please visit our website **www.blackanddecker.co.uk** to register your new Black & Decker product and to be kept up to date on new products and special offers. Further information on the Black & Decker brand and our range of products is available at **www.blackanddecker.co.uk**.

Bestimmungsgemäße Verwendung

Ihre kabellose Bohrmaschine/Schraubendreher von Black & Decker wurde für das Bohren in Holz, Metall und Kunststoff sowie für Schraubendreharbeiten entwickelt. Die VPX1222 kabellose Bohrmaschine/Schraubendreher wurde ebenfalls für das Bohren in leichtes Mauerwerk entwickelt. Dieses Gerät ist nicht für den gewerblichen Einsatz bestimmt.

Sicherheitshinweise

Allgemeine Sicherheitswarnungen für das Gerät



Achtung! Sämtliche Sicherheitswarnungen und Anweisungen sind zu lesen. Die Nichteinhaltung der aufgeführten Anweisungen kann einen elektrischen Schlag, Brand und/oder schwere Verletzungen verursachen.

Bewahren Sie alle Sicherheitswarnungen und Anweisungen gut auf.

- Der nachfolgend verwendete Begriff „Gerät“ bezieht sich auf netzbetriebene Geräte (mit Netzkabel) und auf akkubetriebene Geräte (ohne Netzkabel).

1. Sicherheit im Arbeitsbereich

- Halten Sie Ihren Arbeitsbereich sauber und gut ausgeleuchtet.** Unordnung und dunkle Arbeitsbereiche können zu Unfällen führen.
- Arbeiten Sie mit Geräten nicht in explosionsgefährdeter Umgebung, in der sich brennbare Flüssigkeiten, Gase oder Stäube befinden.** Geräte erzeugen Funken, die den Staub oder die Dämpfe entzünden können.
- Halten Sie Kinder und andere Personen während der Benutzung eines Gerätes fern.** Bei Ablenkung können Sie die Kontrolle verlieren.

2. Elektrische Sicherheit

- Der Netzstecker des Geräts muss in die Steckdose passen. Der Stecker darf in keiner Weise verändert werden. Verwenden Sie für geschützte Geräte keine Adapterstecker.** Unveränderte Stecker und passende Steckdosen verringern das Risiko eines elektrischen Schlages.
- Vermeiden Sie Körperkontakt mit geerdeten Oberflächen von Rohren, Heizungen, Herden und Kühlschränken.** Es besteht ein erhöhtes Risiko eines elektrischen Schlages, wenn Ihr Körper geerdet ist.
- Halten Sie Geräte von Regen und Nässe fern.** Das Eindringen von Wasser in ein Gerät erhöht das Risiko eines elektrischen Schlages.
- Verwenden Sie das Kabel ordnungsgemäß. Verwenden Sie es niemals zum Tragen. Trennen Sie das Gerät nicht durch Ziehen am Kabel vom Netz.**

Halten Sie das Kabel fern von Hitze, Öl, scharfen Kanten oder sich bewegenden Teilen. Beschädigte oder verwickelte Kabel erhöhen das Risiko eines elektrischen Schlages.

- Wenn Sie mit einem Gerät im Freien arbeiten, verwenden Sie nur Verlängerungskabel, die auch für den Außenbereich zugelassen sind.** Die Verwendung eines für den Außenbereich geeigneten Verlängerungskabels verringert das Risiko eines elektrischen Schlages.
 - Wenn das Gerät in einer feuchten Umgebung verwendet werden muss, schließen Sie es unbedingt an eine Steckdose mit Fehlerstromschutzschalter (RCD) an.** Die Verwendung eines Fehlerstromschutzschalters verringert das Risiko eines elektrischen Schlages.
- Sicherheit von Personen**
 - Seien Sie aufmerksam, achten Sie darauf, was Sie tun, und gehen Sie vernünftig mit dem Gerät um. Benutzen Sie das Gerät nicht, wenn Sie müde sind oder unter dem Einfluss von Drogen, Alkohol oder Medikamenten stehen.** Ein Moment der Unachtsamkeit beim Gebrauch von Geräten kann zu ernsthaften Verletzungen führen.
 - Verwenden Sie eine geeignete Schutzausrüstung. Tragen Sie stets eine Schutzbrille.** Schutzausrüstung wie Staubmaske, rutschfeste Sicherheitsschuhe, Schutzhelm oder Gehörschutz, je nach Art und Einsatz des Gerätes, verringert das Risiko von Verletzungen.
 - Vermeiden Sie eine unbeabsichtigte Inbetriebnahme. Vergewissern Sie sich, dass das Gerät ausgeschaltet ist, bevor Sie es an eine Steckdose oder einen Akku schließen, es hochheben oder tragen.** Durch das Tragen des Gerätes mit dem Finger am Schalter oder durch das Anschließen eingeschalteter Geräte werden Unfälle provoziert.
 - Entfernen Sie Einstell- oder Schraubenschlüssel, bevor Sie das Gerät einschalten.** Ein Schlüssel in einem sich drehenden Teil kann zu Verletzungen führen.
 - Beugen Sie sich nicht zu weit nach vorn über. Achten Sie auf einen sicheren Stand, um in jeder Arbeitsposition das Gleichgewicht zu halten.** Dadurch können Sie das Gerät in unerwarteten Situationen besser unter Kontrolle halten.
 - Tragen Sie geeignete Kleidung. Tragen Sie keine weite Kleidung oder Schmuck. Halten Sie Haare, Kleidung und Handschuhe von sich bewegenden**

Teilen fern. Lockere Kleidung, Schmuck oder lange Haare können von sich bewegenden Teilen erfasst werden.

- g. Falls Staubabsaug- und -fangvorrichtungen vorhanden sind, vergewissern Sie sich, dass diese angeschlossen sind und richtig verwendet werden.** Diese Vorrichtungen verringern Gefährdungen durch Staub.
- 4. Gebrauch und Pflege von Geräten**
 - a. Überlasten Sie das Gerät nicht. Verwenden Sie das für Ihre Arbeit passende Gerät.** Durch das Arbeiten in dem für das Gerät angegebenen Leistungsbereich erzielen Sie nicht nur optimale Ergebnisse, Sie erhöhen auch die Sicherheit.
 - b. Verwenden Sie das Gerät nicht, wenn der Ein-/Ausschalter nicht funktioniert.** Ein Gerät, das sich nicht mehr ein- oder ausschalten lässt, ist gefährlich und muss repariert werden.
 - c. Ziehen Sie den Stecker aus der Steckdose oder trennen Sie das Gerät vom Akku, bevor Sie Einstellungen vornehmen, Zubehörteile wechseln oder das Gerät weglegen.** Diese Vorsichtsmaßnahme verhindert den unbeabsichtigten Start des Gerätes.
 - d. Bewahren Sie unbenutzte Geräte außerhalb der Reichweite von Kindern auf. Lassen Sie Geräte nicht von Personen benutzen, die damit nicht vertraut sind oder diese Anweisungen nicht gelesen haben.** Geräte sind gefährlich, wenn sie von unerfahrenen Personen benutzt werden.
 - e. Halten Sie Geräte in einem einwandfreien Zustand. Kontrollieren Sie, ob bewegliche Teile falsch ausgerichtet sind oder klemmen und ob Teile gebrochen oder so beschädigt sind, und dass die Funktion des Gerätes nicht beeinträchtigt ist. Lassen Sie beschädigte Geräte vor dem Gebrauch reparieren.** Viele Unfälle haben ihre Ursache in schlecht gewarteten Geräten.
 - f. Halten Sie Schneidwerkzeuge scharf und sauber.** Sorgfältig gepflegte Schneidwerkzeuge mit scharfen Schneidkanten verkleben sich weniger und sind leichter zu führen.
 - g. Verwenden Sie Gerät, Zubehör, Einsatz-Bits usw. entsprechend diesen Anweisungen, und berücksichtigen Sie dabei die Arbeitsbedingungen und die auszuführende Arbeit.** Der Gebrauch von Geräten für andere als die vorgesehenen Anwendungen kann zu gefährlichen Situationen führen.

5. Gebrauch und Pflege von batteriebetriebenen Geräten

- a. Laden Sie den Akku nur mit dem vom Hersteller vorgesehenen Ladegerät auf.** Die Verwendung von Ladegeräten, die für eine andere Art von Akku bestimmt sind, kann dazu führen, dass sich der Akku beim Laden entzündet.
- b. Verwenden Sie nur die für das jeweilige Gerät vorgesehenen Akkus.** Die Verwendung anderer Akkus kann zu Verletzungen oder Bränden führen.
- c. Bewahren Sie den Akku bei Nichtbenutzung nicht in der Nähe metallischer Objekte wie Büroklammern, Münzen, Schlüssel, Nägel oder Schrauben auf, da diese eine Verbindung zwischen beiden Polen des Akkus herstellen können.** Durch den dadurch entstehenden Kurzschluss kann der Akku in Brand geraten.
- d. Durch unsachgemäßen Gebrauch können Flüssigkeiten aus dem Akku austreten. Berühren Sie diese nicht! Sollten Sie dennoch unbeabsichtigt mit diesen in Berührung kommen, waschen Sie die betroffenen Stellen sofort mit reichlich Wasser ab. Suchen Sie sofort einen Arzt auf, wenn die Flüssigkeit in Kontakt mit Ihren Augen gekommen ist.** Flüssigkeiten aus Akkus können Hautreizungen oder Verbrennungen hervorrufen.
- 6. Service**
 - a. Lassen Sie das Gerät nur von qualifiziertem Fachpersonal und nur mit Originalersatzteilen reparieren.** Die Sicherheit des Geräts bleibt so erhalten.

Zusätzliche Sicherheitswarnungen für das Gerät



Achtung! Zusätzliche Sicherheitswarnungen für Akku-Bohrschrauber und Bohrmaschinen.

- ◆ **Tragen Sie bei der Arbeit mit Bohrmaschinen Gehörschutz.** Ein hoher Geräuschpegel kann zu Gehörschäden führen.
- ◆ **Verwenden Sie die mitgelieferten Zusatzgriffe.** Ein Kontrollverlust kann zu Verletzungen führen.
- ◆ **Halten Sie das Gerät an den isolierten Griffflächen fest, wenn Sie Arbeiten ausführen, bei denen es verdeckte Kabel oder das eigene Geräte Kabel beschädigen könnte.** Der Kontakt mit stromführenden Leitungen setzt auch offen liegende Metallteile am Gerät unter Strom und führt zu Stromschlag.
- ◆ **Fixieren Sie das Werkstück mit Zwingen oder ähnlichen Hilfsmitteln auf einer stabilen Oberfläche.** Wenn Sie das Werkstück nur mit den Händen oder

gegen Ihren Körper halten, können Sie leicht die Kontrolle verlieren.

- ◆ **Bevor Sie Bohr- oder Schaarbeiten an Wänden, Fußböden oder Decken vornehmen, prüfen Sie diese Stellen auf dahinter liegende Kabel oder Rohre.**
- ◆ **Dieses Gerät darf nicht** von Personen (einschließlich Kindern) mit eingeschränkten körperlichen, sensorischen oder geistigen Fähigkeiten oder mit mangelnden Erfahrungen und Kenntnissen bedient werden, es sei denn, sie werden bei der Verwendung des Geräts von einer erfahrenen Person beaufsichtigt oder angeleitet. Kinder müssen beaufsichtigt werden, um sicherzustellen, dass sie nicht mit dem Gerät spielen.
- ◆ **Der vorgesehene Verwendungszweck ist in dieser Anleitung beschrieben.** Die Verwendung von Zubehör und Anbauteilen, die nicht in dieser Anleitung empfohlen sind, sowie die Bedienung des Geräts in Abweichung von den in dieser Anleitung beschriebenen Verfahren kann zu Verletzungen und/oder Sachschäden führen.

Vibration

Die im Abschnitt „Technische Daten und Konformitätserklärung“ angegebenen Werte für die Vibrationsemission wurden mit einer Standard-Prüfmethode nach EN 60745 ermittelt und können zum Vergleich verschiedener Geräte herangezogen werden. Außerdem kann mit Hilfe dieses Werts die Belastung bei Verwendung des Geräts schon im Voraus eingeschätzt werden.

Achtung! Die bei Verwendung des Geräts auftretende Vibrationsemission hängt von der Art des Gerätegebrauchs ab und kann dementsprechend vom angegebenen Wert abweichen. Gegebenenfalls kann die Vibration über dem angegebenen Wert liegen.

Mit Hilfe der ermittelten Werte der Vibrationsbelastung durch Elektrogeräte lassen sich Sicherheitsmaßnahmen festlegen, die gemäß 2002/44/EC zum Schutz von Personen bestimmt sind, die diese Geräte regelmäßig bei der Arbeit verwenden. Bei der Einschätzung der Vibrationsbelastung sollten die Gebrauchsumstände und die Art der Verwendung des Geräts sowie alle Schritte des Arbeitszyklus berücksichtigt werden, wozu Ruhe-, Leerlauf- und Startzeiten gehören.

Warnsymbole am Geräts



Achtung! Lesen Sie vor Gebrauch die Anleitung durch. Andernfalls besteht Verletzungsgefahr.

Zusätzliche Sicherheitshinweise für Akku und Ladegeräte

Batterien

- ◆ Auf keinen Fall öffnen.
- ◆ Achten Sie darauf, dass der Akku nicht mit Wasser in Berührung kommt.
- ◆ Setzen Sie den Akku keinen hohen Temperaturen aus.
- ◆ Nicht bei Temperaturen über 40 °C lagern.
- ◆ Laden Sie den Akku bei Umgebungstemperaturen von 10 °C bis 40 °C.
- ◆ Verwenden Sie ausschließlich das mitgelieferte Ladegerät.
- ◆ Bei der Entsorgung von Batterien die Hinweise im Abschnitt „Umweltschutz“ beachten.

Ladegerät

- ◆ Verwenden Sie das Black & Decker Ladegerät nur für den Akku, mit dem es geliefert wurde. Andere Akkus könnten platzen und Verletzungen oder Sachschäden verursachen.
- ◆ Versuchen Sie keinesfalls, nicht aufladbare Batterien zu laden.
- ◆ Lassen Sie beschädigte Kabel sofort austauschen.
- ◆ Achten Sie darauf, dass das Ladegerät nicht mit Wasser in Berührung kommt.
- ◆ Versuchen Sie nicht, das Ladegerät zu öffnen.
- ◆ Nehmen Sie am Ladegerät keine Veränderungen vor.



Das Ladegerät darf nur im Innenbereich verwendet werden.



Vor Gebrauch die Anleitung lesen



Das Ladegerät schaltet sich automatisch aus, wenn die Raumtemperatur zu hoch ist. Sobald die Raumtemperatur sinkt, nimmt das Ladegerät den Betrieb wieder auf.



Laden Sie den Akku nur bei Umgebungstemperaturen von 10 °C bis 40 °C.



Laden.

Elektrische Sicherheit



Das Ladegerät ist schutzisoliert, daher ist keine Erdleitung erforderlich. Stellen Sie immer sicher, dass die Netzspannung der Spannung entspricht, die auf dem Typenschild des Geräts angegeben ist.

- ◆ Ist das Netzkabel beschädigt, muss es durch den Hersteller oder eine Black & Decker Vertragswerkstatt ausgetauscht werden, um eine mögliche Gefährdung zu vermeiden.

Merkmale

1. Schnellspannbohrfutter
2. Drehmomentvorwahl (VPX1212)
3. Geschwindigkeitsregler
4. Vor/Zurück-Schaltknopf und Einschaltsperr
5. Entriegelungstaste des Akkus (auf dem Akku)
6. Batteriefach
7. Ein-/Aushalter mit Geschwindigkeitsregelung
8. Drehmomentvorwahl (VPX1222)

Abb. A

14. Ladeanzeige

Montage

Einsetzen des Akkus (Abb. A)

Achtung! Schalten Sie vor dem Entnehmen oder Einsetzen des Akkus stets die Einschaltsperr (4) ein, um ein versehentliches Betätigen des Schalters zu vermeiden.

- ◆ Setzen Sie den Akku (9) mit der Kontaktseite nach vorn in das Batteriefach (6) ein, bis die Verriegelung einrastet und das VPX™-Logo im Fenster sichtbar ist.

Achtung! Der Akku lässt sich nur in einer Richtung einsetzen. Üben Sie beim Einsetzen keinen Druck aus. Falls sich der Akku nicht einsetzen lässt, setzen Sie ihn andersherum ein.

Akku entnehmen (Abb. A)

- ◆ Drücken Sie die Entriegelungstaste (5) des Akkus, und ziehen Sie den Akku (9) aus dem Batteriefach (6).

Laden des Akkus (Abb. B)

Achtung! Der Akku darf nicht bei Raumtemperaturen unter 10 ° C oder über 40 ° C geladen werden.

Hinweis: Wenn die Temperatur des Akkus unter ca. 0 ° C oder über 60 ° C liegt, blockiert das Ladegerät den Ladevorgang. Lassen Sie in diesem Fall den Akku im Ladegerät. Das Ladegerät beginnt automatisch mit dem Ladevorgang, sobald sich die Zellen erwärmt bzw. abgekühlt haben.

- ◆ Schließen Sie das Ladegerät (10) an eine Steckdose an, und schalten Sie die Stromversorgung ein.

- ◆ Setzen Sie den Akku (9) in das Ladegerät ein. Achten Sie darauf, dass der Akku ordnungsgemäß im Ladegerät (10) positioniert ist.
- ◆ Die Ladeanzeige (11) blinkt durchgängig (langsam).
- ◆ Der Akku sollte mindestens 5 bis 6 Stunden laden.
- ◆ Der Ladevorgang ist abgeschlossen, wenn das Ladegerät (11) dauerhaft leuchtet.
- ◆ Sie können den Akku auf unbestimmte Zeit im Ladegerät belassen. In diesem Fall leuchtet die LED-Anzeige dauerhaft. Die LED-Anzeige beginnt wieder zu blinken (Ladezustand), wenn der Akku gelegentlich nachgeladen wird.
- ◆ Solange der Akku mit dem angeschlossenen Ladegerät verbunden ist, leuchtet die Ladeanzeige (11).
- ◆ Ein entladener Akku sollte innerhalb einer Woche wieder aufgeladen werden. Die Lebensdauer des Akkus sinkt drastisch, wenn dieser in entladem Zustand aufbewahrt wird.

Ladeanzeige

Falls das Ladegerät ein Problem bezüglich des Akkus feststellt, blinkt die Ladeanzeige (11) sehr schnell.

- ◆ Setzen Sie in diesem Fall den Akku (9) erneut ein.
- ◆ Falls das Problem weiterhin besteht, setzen Sie einen anderen Akku in das Ladegerät ein, um die Funktionstüchtigkeit des Ladegeräts zu überprüfen.
- ◆ Falls der neu eingesetzte Akku ordnungsgemäß geladen wird, ist der ursprüngliche Akku defekt. Geben Sie diesen bei einem Service Center ab, damit er recycelt werden kann.
- ◆ Falls bei dem neuen Akku dieselbe Anzeige erscheint wie bei dem ursprünglichen Akku, lassen Sie das Ladegerät von einer autorisierten Vertragswerkstatt überprüfen.

Hinweis: Es kann bis zu fünfzehn Minuten dauern, um festzustellen, ob der Akku tatsächlich defekt ist.

Falls der Akku zu warm oder zu kalt sein sollte, blinkt die LED-Anzeige abwechselnd langsam und schnell. Die Anzeige blinkt hierbei einmal langsam, einmal schnell. Danach wiederholt sich der Vorgang.

Ladegeräte – Reihenschaltung (Abb. C)

Sie können ein Ladegerät mit einem Anschluss und ein Ladegerät mit zwei Anschlüssen miteinander verbinden. Insgesamt lassen sich in jeder beliebigen Reihenfolge bis zu 4 Ladegeräte zusammenschalten. Jedes Ladegerät besitzt ein Stromeingangskabel (12), das mit der Steckdose verbunden wird, und ein Stromausgangskabel (13), das an das nächste Ladegerät angeschlossen wird.

So schalten Sie die Ladegeräte in Reihe:

- ◆ Stecken Sie das Stromeingangskabel (12) in eine Steckdose.
- ◆ Trennen Sie beim nächsten Ladegerät das Stromeingangskabel vom Gerät, und stecken Sie in diese Buchse das Stromausgangskabel (13) des mit der Steckdose verbundenen ersten Ladegerätes.
- ◆ Wiederholen Sie diesen Vorgang für die restlichen Ladegeräte.

Die Funktionsweise der in Reihe geschalteten Ladegeräte erfolgt unabhängig voneinander, als ob jedes einzeln an eine separate Steckdose angeschlossen wäre. Es hat folglich keinen Einfluss auf andere Ladegeräte, wenn ein Akku aus einem beliebigen Ladegerät der Reihenschaltung entfernt wird.

Gebrauch

Ein- und Ausschalten (Abb. D und E)

- ◆ Zum Einschalten des Gerätes drücken Sie den Ein-/Ausschalter mit Geschwindigkeitsregelung (7).
- ◆ Zum Ausschalten des Gerätes lassen Sie den Ein-/Ausschalter mit Geschwindigkeitsregelung (7) wieder los.
- ◆ Der Vor/Zurück-Schaltknopf (4) bestimmt die Drehrichtung und fungiert zudem als Einschaltsperrleiste.
- ◆ Für die Vorwärtsdrehung lassen Sie den Ein-/Ausschalter mit Geschwindigkeitsregelung (7) los, und schieben Sie den Vor/Zurück-Schaltknopf (4) nach links (vorwärts).
- ◆ Um die Drehrichtung zu ändern, schieben Sie den Vor/Zurück-Schaltknopf (4) in die entgegengesetzte Richtung.
- ◆ Die mittlere Position des Schaltknopfes (4) aktiviert die Einschaltsperrleiste. Lassen Sie den Ein-/Ausschalter mit Geschwindigkeitsregelung (7) los, bevor Sie die Position des Vor/Zurück-Schaltknopfes (4) ändern.
- ◆ Falls sich das Gerät nicht einschaltet, prüfen Sie, ob einer der beiden VPX™-Akkus entladen ist. Weitere Anweisungen finden Sie unten unter „LED-Ladeanzeige“.

LED-Ladeanzeige

Dieses Gerät ist elektronisch so ausgestattet, dass sich das Gerät abschaltet, sobald ein Akku entladen ist. Falls das Gerät sich plötzlich ausschaltet, ist möglicherweise ein Akku entladen. Die LED-Anzeige (14) hinten am Gerätegriff zeigt an, welcher Akku entladen ist.

Die Anzeige (14) leuchtet nur auf, wenn der Ein-/Ausschalter mit Geschwindigkeitsregelung (7) gedrückt ist. Um eine optimale Betriebsdauer zu gewährleisten, entfernen Sie beide Akkus, und setzen Sie diese in das entsprechende Ladegerät ein. Zwei Akku-Ladestandanzeigen befinden sich hinten am Gerät über den Akkus. Sollte einer der Akkus während der Verwendung des Gerätes entladen sein, können Sie an dieser Stelle feststellen, welcher Akku aufgeladen werden muss.

Prüfen des Ladezustands:

- ◆ Drücken Sie den Auslöser, und überprüfen Sie, welche der LED-Anzeigen leuchtet.
- ◆ Entfernen Sie den der Anzeige entsprechenden Akku.

Einstellen des Drehmoments (Abb. D und E)

Zum Einstellen des Betriebsmodus und des Drehmoments zum Festziehen von Schrauben ist das Gerät mit einer 24-stufigen Drehmomenteinstellung (2 bzw. 8) ausgestattet. Für große Schrauben und härtere Werkstücke muss ein größeres Drehmoment eingestellt werden als für kleine Schrauben und weiche Werkstücke.

- ◆ Um Bohrungen in Holz, Metall oder Kunststoff vorzunehmen, stellen Sie an der Drehmomentvorwahl das Symbol zum Bohren ein.
- ◆ Zum Ausführen von Schraubarbeiten stellen Sie an der Drehmomentvorwahl die gewünschte Position ein. Sollten Ihnen die jeweils erforderlichen Einstellungen nicht bekannt sein, gehen Sie wie folgt vor:
 - ◆ Stellen Sie das niedrigste Drehmoment ein.
 - ◆ Ziehen Sie mit dieser Einstellung die erste Schraube fest.
 - ◆ Wenn die Einstellung nicht zum gewünschten Ergebnis führt, erhöhen Sie die Drehmomenteinstellung, und fahren Sie fort. Wiederholen Sie diesen Vorgang bis Sie die richtige Einstellung gefunden haben. Verwenden Sie die Einstellung auch für die übrigen Schrauben.

Schlagbohren (nur Modell VPX1222)

Die Bohrmaschine verfügt über eine Schlagbohrfunktion:

- ◆ Zum Bohren in Mauerwerk stellen Sie die Drehmomentvorwahl auf die Position **T**.

Geschwindigkeitsregler schnell/langsam (Abb. D und E)

Durch die zweistufige Geschwindigkeitsfunktion können Sie Ihre Bohrmaschine vielseitig verwenden.

- ◆ Um die langsame Geschwindigkeit mit hohem Drehmoment (Position 1) zu wählen, schalten Sie das Gerät zunächst aus, damit es zum Stillstand kommt. Schieben Sie den Geschwindigkeitsregler (3) nach hinten.
- ◆ Um die schnelle Drehgeschwindigkeit mit niedrigem Drehmoment (Position 2) zu wählen, schalten Sie das

Gerät zunächst aus, damit es zum Stillstand kommt. Schieben Sie den Geschwindigkeitsregler (3) nach vorn.

Achtung! Betätigen Sie den Geschwindigkeitsregler nicht, wenn das Gerät eingeschaltet ist.

Schnellspannbohrfutter (Abb. E)

So setzen Sie einen Bohreinsatz oder ein anderes Zubehörteil ein:

- ◆ Umfassen Sie das Bohrfutter (1), und drehen Sie es entgegen dem Uhrzeigersinn.
- ◆ Setzen Sie den Bohreinsatz oder ein anderes Zubehörteil ordnungsgemäß in das Bohrfutter ein, und ziehen Sie das Bohrfutter (1) durch Drehen im Uhrzeigersinn wieder fest.

Achtung! Versuchen Sie niemals, Bohreinsätze oder andere Zubehörteile festzuziehen, indem Sie das Bohrfutter festhalten und das Gerät einschalten. Dabei kann das Bohrfutter beschädigt werden, und es kann zu schweren Verletzungen kommen.

Schraubarbeiten

- ◆ Zum Festziehen von Schrauben muss der Vor/Zurück-Schaltknopf (4) nach links geschoben sein.

Zum Lösen von Schrauben muss der Vor/Zurück-Schaltknopf (4) nach rechts geschoben sein.

Bohrarbeiten

- ◆ Verwenden Sie nur scharfe Bohreinsätze.
- ◆ Sorgen Sie für einen festen Halt und Arbeitssicherheit.
- ◆ Führen Sie den Bohrer äußerst langsam und nur mit leichtem Druck, bis das Loch angesetzt wird.
- ◆ Üben Sie nur parallel zum Bohreinsatz Druck aus. Der ausgeübte Druck darf nicht größer sein als für den Bohrvorgang erforderlich. Bei zu hohem Druck blockiert der Motor oder der Bohreinsatz wird beschädigt.
- ◆ Halten Sie das Gerät mit beiden Händen fest, damit Sie es besser führen können.
- ◆ Wenn der Bohrer blockiert ist, versuchen Sie nicht, ihn durch wiederholtes Betätigen des Ein-/Ausschalters wieder zum Laufen zu bringen. Der Bohreinsatz kann dadurch beschädigt werden.
- ◆ Verringern Sie im letzten Teil des Bohrlochs den Druck und die Geschwindigkeit, um ein Blockieren beim Durchbohren zu vermeiden.
- ◆ Lassen Sie den Motor an, während Sie den Bohrer aus einem gebohrten Loch ziehen. Dadurch wird verhindert, dass der Bohreinsatz einklemmt.
- ◆ Dank der verschiedenen Bohrgeschwindigkeiten muss die Stelle für das Loch nicht angekörnt werden. Wählen Sie zum Ansetzen des Lochs eine langsame Bohrgeschwindigkeit. Wenn das Loch tief genug ist und

Sie bohren können, ohne dass der Bohreinsatz ausweicht, bohren Sie schneller, indem Sie den Auslöser fester drücken. Sobald dies möglich ist, wählen Sie die volle Geschwindigkeit.

In Holz bohren

Holz kann entweder mit denselben Spiralbohreinsätzen bearbeitet werden, die auch für Metall verwendet werden, oder mit Spitzbohrern. Die Bohreinsätze sollten spitz sein und regelmäßig entnommen werden, um das Gerät von Spänen zu säubern.

In Metall bohren

Verwenden Sie eine Schneidflüssigkeit, wenn Sie in Metall bohren. Ausgenommen hiervon sind Gusseisen und Messing, die trocken gebohrt werden sollten. Die besten Schmierstoffe sind schwefelhaltiges Schneidöl oder Schmalzöl.

In Mauerwerk bohren (nur Modell VPX1222)

Verwenden Sie hartmetallbestückte Mauerwerks-Bohreinsätze. Siehe hierzu den Abschnitt „Bohren“. Üben Sie einen gleichmäßigen Druck auf die Bohrmaschine aus, und achten Sie darauf, dass das Material nicht bricht. Bei einem feinen, gleichmäßigen Staub haben Sie die richtige Bohrgeschwindigkeit erreicht.

Wartung

Ihr Black & Decker Gerät wurde im Hinblick auf eine lange Lebensdauer und einen möglichst geringen Wartungsaufwand entwickelt. Ein dauerhafter, einwandfreier Betrieb setzt eine regelmäßige Pflege und Reinigung voraus.

Das Ladegerät benötigt keine Wartung, es sollte aber regelmäßig gereinigt werden.

Achtung! Entfernen Sie vor sämtlichen Wartungsarbeiten den Akku aus dem Gerät. Ziehen Sie das Ladegerät aus der Netzsteckdose, bevor Sie es reinigen.

- ◆ Reinigen Sie regelmäßig die Lüftungsschlitze des Geräts und des Ladegeräts mit einer weichen Bürste oder einem trockenen Tuch.
- ◆ Reinigen Sie regelmäßig das Motorgehäuse mit Hilfe eines feuchten Tuchs. Verwenden Sie keine scheuernden Reinigungsmittel oder Reinigungsmittel auf Lösungsmittelbasis.
- ◆ Öffnen Sie regelmäßig das Spannfutter, und entfernen Sie durch Klopfen Staub aus dem Inneren des Geräts.

Umweltschutz



Getrennte Entsorgung. Dieses Produkt darf keinesfalls mit dem Hausmüll entsorgt werden.

Sollten Sie Ihr Black & Decker Produkt eines Tages ersetzen oder nicht mehr benötigen, entsorgen Sie es nicht mit dem Hausmüll, sondern führen Sie das Produkt einer getrennten Sammlung zu.



Durch die separate Sammlung von ausgedienten Produkten und Verpackungsmaterialien können Rohstoffe recycelt und wieder verwendet werden. Die Wiederverwendung aufbereiteter Materialien trägt zur Vermeidung der Umweltverschmutzung bei und senkt den Rohstoffbedarf.

Die Verordnung zur Abfallentsorgung Ihrer Gemeinde sieht möglicherweise vor, dass Elektrogeräte getrennt vom Hausmüll gesammelt, an der örtlichen Abfallentsorgungseinrichtung abgegeben oder beim Kauf eines neuen Produkts vom Fachhandel zur Entsorgung angenommen werden müssen.

Black & Decker nimmt Ihre ausgedienten Black & Decker-Geräte gern zurück und sorgt für eine umweltfreundliche Entsorgung bzw. Wiederverwertung. Um diese Dienstleistung in Anspruch zu nehmen, geben Sie das Gerät bitte bei einer autorisierten Reparaturwerkstatt ab, die für uns die Einsammlung übernimmt.

Die Adresse der zuständigen Niederlassung von Black & Decker steht in dieser Anleitung. Diese teilt Ihnen gerne die nächstgelegene Vertragswerkstatt mit. Außerdem ist eine Liste der Vertragswerkstätten und aller Kundendienststellen von Black & Decker sowie der zuständigen Ansprechpartner im Internet zu finden unter: www.2helpU.com.

Batterien



Black & Decker Akkus können viele Male geladen werden. Denken Sie bei der Entsorgung von verbrauchten Akkus an unsere Umwelt.

- ◆ Entladen Sie den Akku vollständig, bevor Sie ihn aus dem Gerät entfernen.
- ◆ Lithiumionenakkus sind recycelbar. Bringen Sie den Akku zu einer autorisierten Reparaturdienststelle oder zu einer lokalen Recyclingstelle.

Technische Daten

	VPX1212	VPX1222
Spannung	VDC 14	14
Abtriebsdrehmoment (max.)	Nm 23	23
Leerlaufdrehzahl	U/min 0-350 0-1200	0-350 0-1200
Maximale Bohrtiefe		
Stahl	mm 10	10
Beton	mm k.A.	10
Holz	mm 25	25
Gewicht	kg 1,4	1,47
Ladegerät	Typ: Dual- Anschluss	Dual- Anschluss
Akku	Typ: 2 VPX™- Akkus	2 VPX™- Akkus

EU-Konformitätserklärung

VPX1212 VPX1222

Black & Decker erklärt, dass diese Produkte den folgenden Normen entsprechen:
98/37/EC, EN 60745

Schalldruckpegel gemäß EN 60745:

Schalldruck (L_{pA}) 69,86 dB(A), Unsicherheitsfaktor (K) 3 dB(A)

Schalleistung (L_{WA}) 80,86 dB(A), Unsicherheitsfaktor (K) 3 dB(A)

Gesamtvibration (Triax-Vektorsumme) gemäß EN 60745:

Schraubarbeiten ohne Belastung (a_{ah}) = 0,869 m/s², Unsicherheitsfaktor (K) = 1,5 m/s²

Metallbohren (a_{ah}) = 0,628 m/s², Unsicherheitsfaktor (K) = 1,5 m/s²

Betonbohren mit Belastung (a_{ah}) = 6,642 m/s², Unsicherheitsfaktor (K) = 1,5 m/s²

Der Unterzeichnende trägt die Verantwortung für die technische Redaktion. Diese Erklärung wurde im Auftrag von Black & Decker erstellt.

Kevin Hewitt
Director of Consumer Engineering
Spennymoor, County Durham DL16 6JG,
Vereinigtes Königreich
14.10.2007

Garantie

Black & Decker vertraut auf die Qualität der eigenen Geräte und bietet dem Käufer eine außergewöhnliche Garantie.

Diese Garantiezusage versteht sich unbeschadet der gesetzlichen Gewährleistungsansprüche und schränkt diese keinesfalls ein. Sie gilt in sämtlichen Mitgliedsstaaten der Europäischen Union und der Europäischen Freihandelszone EFTA.

Tritt innerhalb von 24 Monaten ab Kaufdatum an einem Gerät von Black & Decker ein auf Material- oder Verarbeitungsfehler zurückzuführender Mangel auf, garantiert Black & Decker den Austausch defekter Teile, die Reparatur von Geräten mit üblichem Verschleiß bzw. den Austausch eines mangelhaften Gerätes, ohne dass dem Kunden dabei mehr als unvermeidlich Unannehmlichkeiten entstehen, allerdings vorbehaltlich folgender Ausnahmen:

- ◆ wenn das Gerät gewerblich, beruflich oder im Verleihgeschäft benutzt wurde;
- ◆ wenn das Gerät missbräuchlich verwendet oder mit mangelnder Sorgfalt behandelt wurde;
- ◆ wenn das Gerät durch irgendwelche Fremdeinwirkung beschädigt wurde;
- ◆ wenn ein unbefugter Reparaturversuch durch anderes Personal als das einer Vertragswerkstatt oder des Black & Decker Kundendienstes unternommen wurde.

Zur Inanspruchnahme dieser Garantie ist dem Verkäufer bzw. der Vertragswerkstatt ein Kaufnachweis vorzulegen. Die Adresse der zuständigen Niederlassung von Black & Decker steht in dieser Anleitung. Dort teilt man Ihnen gerne die nächstgelegene Vertragswerkstatt mit. Außerdem ist eine Liste der Vertragswerkstätten und aller Kundendienststellen von Black & Decker sowie der zuständigen Ansprechpartner im Internet zu finden unter: **www.2helpU.com**.

Bitte besuchen Sie unsere Webseite **www.blackanddecker.de**, um Ihr neues Black & Decker-Produkt zu registrieren. Dort erhalten Sie auch Informationen über neue Produkte und Sonderangebote. Weitere Informationen über die Marke Black & Decker und unsere Produkte finden Sie unter **www.blackanddecker.de**.

Utilisation

Votre perceuse/visseuse sans fil Black & Decker peut visser et percer le bois, le métal et le plastique. Cet outil a aussi été conçu pour percer dans de la pierre tendre. Son utilisation est exclusivement domestique.

Consignes de sécurité

Consignes de sécurité concernant les outils électroportatifs



Attention ! Lisez avec attention tous les avertissements et toutes les instructions. Le non-respect de cette consigne peut entraîner une électrocution, un incendie et/ou de graves blessures.

Conservez tous les avertissements et instructions pour référence ultérieure.

1. La notion d'« outil électroportatif » mentionnée par la suite se rapporte à des outils électriques raccordés au secteur (avec câble de raccordement) ou fonctionnant avec batterie (sans fil).

1. Sécurité de la zone de travail

- a. **Maintenez la zone de travail propre et bien éclairée.** Un lieu de travail en désordre ou mal éclairé augmente le risque d'accidents.
- b. **N'utilisez pas les outils électroportatifs dans un environnement présentant des risques d'explosion ni en présence de liquides, gaz ou poussières inflammables.** Les outils électroportatifs génèrent des étincelles risquant d'enflammer les poussières ou les vapeurs.
- c. **Pendant l'utilisation d'un outil électroportatif, les enfants et autres personnes doivent rester éloignés.** En cas d'inattention, vous risquez de perdre le contrôle de l'outil.

2. Sécurité électrique

- a. **La prise de l'outil électroportatif doit convenir à la prise de courant. Ne modifiez en aucun cas la prise. N'utilisez pas de prises d'adaptateur avec des appareils ayant une prise de terre.** Le respect de ces consignes réduit le risque de choc électrique.
- b. **Évitez le contact physique avec des surfaces mises à la terre telles que tuyaux, radiateurs, fours et réfrigérateurs.** Le risque de choc électrique augmente si votre corps est relié à la terre.
- c. **N'exposez pas l'outil électroportatif à la pluie ni à l'humidité.** La pénétration d'eau dans un outil électroportatif augmente le risque de choc électrique.

- d. **Préservez le câble d'alimentation. N'utilisez pas le câble pour porter l'outil, pour l'accrocher ou encore pour le débrancher. Maintenez le câble éloigné des sources de chaleurs, des parties huilées, des bords tranchants ou des parties de l'appareil en rotation.** Le risque de choc électrique augmente si les câbles sont endommagés ou emmêlés.
- e. **Si vous utilisez l'outil électroportatif à l'extérieur, utilisez une rallonge homologuée pour utilisation à l'air libre.** L'utilisation d'une rallonge électrique homologuée pour les travaux à l'extérieur réduit le risque de choc électrique.
- f. **Si l'outil doit être utilisé dans un endroit humide, prenez les précautions nécessaires en utilisant un dispositif à courant résiduel (RCD).** L'utilisation d'un tel dispositif réduit les risques d'électrocution.

3. Sécurité personnelle

- a. **Restez vigilant, surveillez ce que vous faites. Faites preuve de bon sens quand vous utilisez un outil électroportatif. N'utilisez pas l'outil lorsque vous êtes fatigué ou après avoir consommé de l'alcool ainsi que des médicaments.** Un moment d'inattention lors de l'utilisation de l'outil peut entraîner de graves blessures.
- b. **Portez un équipement de protection. Portez toujours des lunettes de protection.** Selon le travail à effectuer, le port d'équipement de protection tels que masque anti-poussières, chaussures de sécurité antidérapantes, casque ou protection auditive, réduit le risque de blessures.
- c. **Évitez un démarrage imprévu. L'appareil doit être en position OFF (arrêt) avant d'effectuer le branchement à l'alimentation et/ou au bloc-batterie, de le ramasser ou de le porter.** Ne laissez pas votre doigt sur le bouton de commande, ceci peut être à l'origine d'accident.
- d. **Retirez tout outil ou clé de réglage avant de mettre l'outil en marche.** Une clé ou un outil se trouvant sur une partie en rotation peut causer des blessures.
- e. **Adoptez une position confortable. Adoptez une position stable et gardez votre équilibre en permanence.** Vous contrôlerez ainsi mieux l'outil dans des situations inattendues.
- f. **Portez des vêtements appropriés. Ne pas porter de vêtements flottants ou de bijoux. N'approchez pas les cheveux, vêtements ou gants des parties des pièces mobiles.** Les vêtements amples, les bijoux ou les cheveux longs peuvent être attrapés dans les pièces en mouvement.

- g. En cas d'utilisation d'appareils servant à aspirer ou à recueillir les poussières, assurez-vous qu'ils sont correctement raccordés et utilisés.** L'utilisation de tels appareils permet de réduire les dangers liés aux poussières.
- 4. Utilisation des outils électroportatifs et précautions**
- a. Respectez la capacité de l'outil. Utilisez l'outil électroportatif approprié pour le travail à effectuer.** Avec un outil approprié, vous travaillerez mieux et en toute sécurité.
- b. N'utilisez pas un outil électroportatif dont l'interrupteur marche/arrêt est défectueux.** Un outil électroportatif qui ne peut plus être mis en marche ou arrêter est dangereux et doit être réparé.
- c. Retirez la prise de courant et/ou débranchez le bloc-batterie avant d'effectuer des réglages, de changer les accessoires ou de ranger l'outil.** Cette mesure de précaution empêche de mettre l'outil en marche accidentellement.
- d. Rangez les outils électroportatifs hors de portée des enfants. Les personnes ne connaissant pas l'outil ou n'ayant pas lu ces instructions ne doivent en aucun cas l'utiliser.** Les outils électroportatifs sont dangereux lorsqu'ils sont utilisés par des personnes non initiées.
- e. Prenez soin des outils électroportatifs. Vérifiez que les parties en mouvement fonctionnent correctement et qu'elles ne sont pas coincées. Vérifiez qu'il n'y a pas de pièces cassées ou endommagées susceptibles de nuire au bon fonctionnement de l'outil. S'il est endommagé, faites réparer l'outil avant de l'utiliser.** De nombreux accidents sont la conséquence d'outils mal entretenus.
- f. Maintenez les outils de coupe aiguisés et propres.** Des outils soigneusement entretenus avec des bords tranchants bien aiguisés se coincent moins souvent et peuvent être guidés plus facilement.
- g. Utilisez les outils électroportatifs, les accessoires, etc. en suivant ces instructions et en tenant compte des conditions de travail, ainsi que du travail à effectuer.** L'utilisation des outils électroportatifs à d'autres fins que celles prévues peut vous mettre en situation dangereuse.
- 5. Utilisation de la batterie et précautions**
- a. Ne rechargez qu'avec le chargeur proposé par le fabricant.** Un chargeur destiné à un type de bloc-batteries risque de provoquer des incendies s'il est utilisé avec un bloc-batteries différent.
- b. N'utilisez les appareils électroportatifs qu'avec le bloc-batteries approprié.** L'utilisation d'un autre bloc-batteries peut provoquer des blessures ou être à l'origine d'un feu.
- c. Quand le bloc-batteries n'est pas utilisé, éloignez-le d'objets en métal comme des agrafes, des pièces, des clés, des clous, des vis ou autres petits objets qui pourraient établir une connexion d'une borne à l'autre.** Un tel court-circuit peut être à l'origine d'un feu ou de brûlures.
- d. En cas d'utilisation excessive, le liquide peut sortir de la batterie; évitez tout contact. Si vous n'avez pu éviter le contact, rincez à l'eau. En cas de contact avec les yeux, consultez un médecin.** Le liquide sortant des batteries peut causer des irritations ou des brûlures.
- 6. Réparations**
- a. Faites réparer votre outil électroportatif uniquement par du personnel qualifié et seulement avec des pièces de rechange appropriées.** La fiabilité de l'outil sera ainsi maintenue.

Consignes de sécurité supplémentaires concernant les outils électroportatifs



Attention ! Prendre encore plus de précautions pour les perceuses sans fil et les perceuses à percussion.

- ◆ **Portez un serre-tête antibruit si vous utilisez une perceuse à percussion.** L'exposition au bruit peut entraîner la perte de l'ouïe.
- ◆ **Utilisez les poignées auxiliaires livrées avec l'outil.** La perte de contrôle peut entraîner des blessures.
- ◆ **Tenez l'outil au niveau des surfaces de prise isolées. Ceci permet d'éviter les accidents en cas de contact de la fixation avec des fils cachés ou son propre câble.** En touchant un fil sous tension, la charge électrique est transmise dans les parties métalliques de l'outil et il y a risque de choc électrique.
- ◆ **Utilisez des pinces ou autres pour fixer et soutenir la pièce de manière stable.** Si vous la tenez à la main ou contre votre corps, elle ne sera pas stable et vous pouvez en perdre le contrôle.
- ◆ **Avant de visser ou de percer des murs, des planchers ou des plafonds, vérifiez l'emplacement des câblages et tuyaux.**
- ◆ **Cet outil ne peut être utilisé par des personnes (y compris des enfants) ayant des capacités mentales, sensorielles ou physiques réduites, ou celles manquant d'expérience et de connaissances, à moins qu'elles ne soient encadrées ou qu'elles n'aient été formées à l'utilisation de l'appareil par une personne responsable**

de leur sécurité. Ne laissez jamais les enfants sans surveillance pour éviter qu'ils ne jouent avec cet appareil.

- ◆ **Ce manuel d'instructions décrit comment utiliser cet appareil.** L'utilisation d'un accessoire ou d'une fixation, ou bien l'utilisation de cet appareil à d'autres fins que celles recommandées dans ce manuel d'instructions peut entraîner des blessures et/ou des dommages matériels.

Vibration

La valeur d'émission de vibration déclarée dans la section Déclaration/Données techniques de conformité a été mesurée selon une méthode d'essai standard fournie par la norme EN60745 et peut être utilisée pour comparer un outil à un autre. Elle peut aussi être utilisée pour une évaluation préliminaire à l'exposition.

Attention ! Selon la manière dont l'outil est utilisé, la valeur d'émission de vibration pendant l'utilisation en cours de l'outil peut être différente de la valeur déclarée. Le niveau de vibration peut augmenter au-dessus du niveau établi.

Quand l'exposition aux vibrations est évaluée afin de déterminer les mesures de sécurité requises par la norme 2002/44/EC pour protéger les personnes utilisant régulièrement des outils électroportatif, il faut tenir compte une estimation de l'exposition aux vibrations, les conditions actuelles d'utilisation et la manière dont l'outil est utilisé. Il faut aussi tenir compte de toutes les pièces du cycle de fonctionnement comme la durée pendant laquelle l'outil est arrêté et quand il fonctionne au ralenti, ainsi que la durée du déclenchement.

Étiquettes de l'outils



Attention ! Pour réduire le risque de blessures, l'utilisateur doit lire les instructions du manuel.

Consignes de sécurité supplémentaires concernant les batteries et les chargeurs

Batteries

- ◆ En aucun cas, n'essayez d'ouvrir l'appareil.
- ◆ Ne mettez pas la batterie en contact avec l'eau.
- ◆ Ne mettez pas la batterie en contact avec la chaleur.
- ◆ Ne le rangez pas dans des endroits où la température peut dépasser 40 °C.
- ◆ Ne chargez qu'à température ambiante comprise entre 10 °C et 40 °C.
- ◆ N'utilisez que le chargeur fourni avec l'appareil.

- ◆ Pour jeter les batteries, suivez les instructions données dans la section "Protection de l'environnement".

Chargeurs

- ◆ N'utilisez votre chargeur Black & Decker que pour charger la batterie fournie. D'autres batteries pourraient exploser, provoquant des blessures et des dommages.
- ◆ Ne tentez jamais de recharger des batteries non rechargeables.
- ◆ Remplacez immédiatement les fils électriques endommagés.
- ◆ N'approchez pas le chargeur de l'eau.
- ◆ N'ouvrez pas le chargeur.
- ◆ Ne testez pas le chargeur.



Le chargeur ne peut être utilisé qu'à l'intérieur. Lisez le manuel d'instruction avant l'utilisation de l'appareil.



Le chargeur est automatiquement mis hors service si la température ambiante devient trop élevée. Dès que la température ambiante baisse, le chargeur reprend la charge.



Ne chargez qu'à température ambiante comprise entre 10 °C et 40 °C.



En charge.

Sécurité électrique



Ce chargeur est doublement isolé; par conséquent, aucun câble de terre n'est nécessaire. Vérifiez si la tension mentionnée sur la plaque signalétique correspond bien à la tension de réseau présente sur le lieu.

- ◆ Si le câble d'alimentation est endommagé, il doit être remplacé par le fabricant ou par un centre de réparation agréé Black & Decker pour éviter tout risque.

Caractéristiques

1. Mandrin auto-serrant
2. Collier de serrage (VPX1212)
3. Sélecteur de vitesse
4. Bouton de déblocage et de commande avant/arrière
5. Bouton de dégagement de batterie (sur la batterie)
6. Boîtier des piles
7. Déclencheur/sélecteur de vitesse
8. Collier de serrage (VPX1222)

Figure A

14. Témoins de batterie faible

Assemblage

Installation du bloc-batteries (figure A)

Attention ! Assurez-vous que le bouton de déblocage (4) est enclenché pour éviter d'actionner par accident la commande avant l'installation ou le retrait d'une batterie.

- ◆ Insérez l'extrémité de la borne métallique du bloc-batteries (9) dans le boîtier (6) jusqu'à ce qu'elle s'enclenche et que le logo VPX™ soit visible.

Attention ! Elle ne peut être placée que dans un sens, ne forcez pas. Si la batterie ne rentre pas dans le boîtier, retirez-la et retournez-la.

Retrait du bloc-batteries (figure A)

- ◆ Appuyez sur le bouton de dégagement (5), tirez fermement sur le bloc-batteries (9) pour le sortir du boîtier (6).

Charge des batteries (figure B)

Attention ! Ne chargez pas le bloc-batteries si la température ambiante est inférieure à 10°C ou supérieure à 40°C.

Remarque : le chargeur ne chargera pas si la température de l'élément est en dessous de 0°C ou au-dessus de 60°C. Le bloc-batteries doit rester dans le chargeur. La charge recommence automatiquement quand la température commence à baisser ou à monter, selon le cas.

- ◆ Branchez le chargeur (10) au secteur.
- ◆ Insérez le bloc-batteries (9) dans le chargeur. Assurez-vous que le bloc-batteries est correctement enclenché dans le chargeur (10).
- ◆ Le témoin de charge (11) clignote continuellement (lentement).
- ◆ Laissez la batterie en charge pendant au moins 5 à 6 heures.
- ◆ Le processus est terminé quand le témoin (11) reste allumé en continu.
- ◆ Le chargeur et le bloc-batteries peuvent rester connectés en permanence avec le témoin allumé. Le témoin peut se mettre à clignoter (charge) si le chargeur détecte qu'il faut compléter la charge du bloc-batteries.
- ◆ Le témoin de charge (11) clignote aussi longtemps que le bloc-batteries est branché au chargeur connecté.
- ◆ Rechargez le bloc-batteries toutes les semaines. Il est préférable de ne pas ranger le bloc-batteries s'il est déchargé. La durée de vie de la batterie en serait limitée.

Témoins de charge

Si le chargeur détecte un problème avec le bloc-batteries, le témoin de charge (11) clignote rapidement.

- ◆ Si cela se produit, réinsérez le bloc-batteries (9).

- ◆ Si le problème persiste, insérez un bloc-batteries différents dans le chargeur pour déterminer si le chargeur fonctionne correctement.
- ◆ Si le nouveau bloc-batteries se charge correctement, le bloc-batteries d'origine est défectueux et doit être renvoyé au centre de réparation pour être recyclé.
- ◆ Si le nouveau bloc-batteries indique le même problème, demandez à un centre de réparation autorisée de tester le chargeur.

Remarque : la détection de la défaillance du bloc-batteries peut prendre jusqu'à 15 minutes.

Si le bloc-batteries est trop chaud ou trop froid, le témoin alterne un clignotement lent, puis un clignotement rapide et ainsi de suite.

Chargeurs de batterie – connexion en chaîne (figure C)

Les chargeurs à un seul port et à deux ports peuvent être branchés dans n'importe quel ordre avec un maximum de 4 chargeurs. Chaque chargeur possède un câble d'alimentation (12) qui se branche dans la prise de courant et un câble inter-connexion (13) qui se branche dans le chargeur suivant.

Pour connecter les chargeurs en chaîne :

- ◆ Branchez le câble d'alimentation (12) à la prise.
- ◆ Retirez le câble d'alimentation du chargeur suivant et branchez le câble inter-connexion (13) du chargeur qui est relié au secteur.
- ◆ Recommencez ce processus pour les autres chargeurs.

Les chargeurs connectés en chaîne, fonctionnent séparément étant donné qu'ils ne sont pas raccordés à la même prise. Le bloc-batteries peut donc être retiré de la chaîne sans affecter la fonction des autres chargeurs.

Utilisation

Mise en marche et arrêt (figure D et E)

- ◆ Pour mettre l'outil en marche, appuyez sur le déclencheur/sélecteur de vitesse (7).
- ◆ Pour mettre l'outil en marche, relâchez le déclencheur/sélecteur de vitesse (7).
- ◆ Le bouton de commande avant/arrière (4) détermine la direction de l'outil et sert aussi de bouton de déblocage.
- ◆ Pour sélectionner la rotation en avant, relâchez le déclencheur/sélecteur de vitesse (7) et déplacez le bouton de commande avant/arrière (4) vers la gauche, en regardant vers l'avant.
- ◆ Pour sélectionner la rotation en arrière, déplacez le bouton de commande avant/arrière (4) dans la direction opposée.

- ◆ La position centrale du bouton de commande (4) verrouille l'outil en position d'arrêt. Assurez-vous que le déclencheur/sélecteur de vitesse (7) est relâché avant de changer la position du bouton de commande avant/arrière (4).
- ◆ Si l'outil ne fonctionne pas, vérifiez si un des bloc-batteries VPX™ est faible. Voir la section « témoins de batterie » ci-dessous.

Témoins de batterie

Cet outil est équipé de composants électroniques qui s'arrêtent dès qu'un bloc-batteries est faible. Si l'outil s'arrête brutalement, un des bloc-batteries est certainement faible. Un témoin (14) sur l'arrière de la poignée indique le bloc-batteries qui est faible.

Pour allumer le témoin (14), appuyez sur le déclencheur/sélecteur de vitesse (7). Pour que l'outil fonctionne le plus longtemps possible, retirez les blocs-batteries et chargez-les. Deux témoins se trouvent sur l'arrière de l'outil au-dessus des batteries. Si l'alimentation faiblit pendant l'utilisation de l'outil, vous pouvez déterminer la batterie qui doit être rechargée.

Pour vérifier l'état de la batterie :

- ◆ Appuyez sur le déclencheur et recherchez le témoin qui s'allume.
- ◆ Retirez le bloc-batteries qui correspond au témoin allumé.

Serrage (figure D et E)

Cet outil est muni d'un collier 24 positions (2 ou 8) qui permet de régler le mode de fonctionnement et le couple pour le serrage des vis. Les grandes vis et les pièces dures demandent un couple plus puissant que les petites vis et les pièces tendres.

- ◆ Pour percer du bois, du métal et du plastique, réglez le collier sur le symbole de perçage.
- ◆ Pour visser, réglez le collier dans la position désirée. Si vous ne connaissez pas le réglage approprié, effectuez ce qui suit :
- ◆ Réglez le collier au couple le plus faible.
- ◆ Serrez la première vis.
- ◆ Si l'enclenchement se fait avant d'obtenir le résultat désiré, augmentez le réglage du collier et continuez le serrage de la vis. Recommencez jusqu'à ce que le réglage correct soit obtenu. Utilisez ce réglage pour les vis restantes.

Martelage (VPX1222 uniquement)

Votre perceuse a une fonction de martelage :

- ◆ Pour percer de la pierre, réglez le collier sur la position **T**.

Sélecteur de vitesse faible/rapide (figure D et E)

Les 2 vitesses de votre perceuse permettent une souplesse d'utilisation.

- ◆ Pour sélectionner la vitesse faible, couple de serrage élevé (position 1), éteignez l'outil et laissez-le s'arrêter. Déplacez le sélecteur de vitesse (3) vers l'arrière.
- ◆ Pour sélectionner la vitesse rapide, couple de serrage faible (position 2), éteignez l'outil et laissez-le s'arrêter. Déplacez le sélecteur de vitesse (3) vers l'avant.

Attention ! Ne déplacez pas le sélecteur de vitesse quand l'outil est en marche.

Mandrin auto-serrant (figure E)

Pour insérer un foret ou un autre accessoire :

- ◆ Maintenez le mandrin (1) et tournez-le dans le sens des aiguilles d'une montre, en regardant depuis l'extrémité du mandrin.
- ◆ Insérez le foret ou autre accessoire complètement dans le mandrin, puis serrez fermement en tournant le mandrin (1) dans le sens des aiguilles d'une montre.

Attention ! Ne tentez pas de serrer les forets affûtés (ou autres accessoires) en attrapant le mandrin et en tournant l'outil. Ceci pourrait endommager l'outil et provoquer de graves blessures.

Visser

- ◆ Pour visser, le bouton de commande avant/arrière (4) doit être poussé vers la gauche.

Déplacez le bouton de commande avant/arrière (4) vers la droite pour retirer les vis.

Percer

- ◆ N'utilisez que les forets affûtés.
- ◆ Soutenez et fixez la pièce correctement.
- ◆ Faites tourner le foret lentement, avec une faible pression, jusqu'à ce qu'il y ait la marque du trou.
- ◆ Enfoncez le foret tout droit. Appuyez suffisamment pour que le foret rentre mais pas trop pour ne pas bloquer le moteur ou endommager le foret.
- ◆ Maintenez fermement la perceuse avec les deux mains pendant le mouvement.
- ◆ Ne cherchez pas à démarrer une perceuse bloquée en manipulant le déclencheur. Cela pourrait endommager la perceuse.
- ◆ Évitez les blocages vers la fin du processus en diminuant la pression et en perçant lentement dans la dernière partie du trou.
- ◆ Laissez le moteur tourner en sortant le foret du trou. Cela évitera les blocages.
- ◆ Avec les perceuses à vitesse variable, il n'est pas nécessaire de marquer le trou avant de percer.

Commencez par percer lentement et accélérez en appuyant petit à petit sur le déclencheur jusqu'à ce que le trou soit suffisamment profond pour percer correctement. Utilisez la vitesse maximum, une fois le corps du foret inséré.

Percer du bois

Le bois peut être percé avec les mêmes forets hélicoïdaux utilisés pour le métal ou avec des forets à trois pointes. Ces forets doivent être affûtés. Sortez-les fréquemment quand vous percez afin d'éliminer les morceaux sur les goujures du foret.

Percer du métal

Utilisez un lubrifiant de coupe pour percer le métal, sauf pour le laiton et la fonte qui doivent être percés à sec. Les lubrifiants de coupe les plus appropriés sont à base d'huile sulfurée ou d'huile de saindoux.

Percer de la pierre (VPX1222 uniquement)

Utilisez des forets à tranchants en métal dur. Reportez-vous à la rubrique « Percer ». Appuyez régulièrement sur le foret mais sans forcer, le matériel est fragile. L'apparition d'une poussière légère et régulière indique que la force de perçage est appropriée.

Entretien

Votre outil Black & Decker a été conçu pour fonctionner pendant longtemps avec un minimum d'entretien. Un fonctionnement continu satisfaisant dépend d'un nettoyage régulier et d'un entretien approprié de l'outil.

Aucun entretien particulier n'est nécessaire pour le chargeur en dehors du nettoyage régulier.

Attention ! Avant d'entretenir l'outil, retirez la batterie.

Débranchez le chargeur avant de le nettoyer.

- ◆ Nettoyez régulièrement les orifices de ventilation de votre outil et chargeur à l'aide d'une brosse souple ou d'un chiffon sec.
- ◆ Nettoyez régulièrement le compartiment du moteur à l'aide d'un chiffon humide. N'utilisez pas de produit abrasif ou à base de solvant.
- ◆ Ouvrez régulièrement le mandrin et retirez la poussière à l'intérieur en le tapant.

Protection de l'environnement



Recyclage. Cet outil ne doit pas être jeté avec les déchets ménagers.

Si votre appareil Black & Decker doit être remplacé ou si vous n'en avez plus l'usage, ne le jetez pas avec les ordures ménagères. Songez à la protection de l'environnement et recyclez-les.



La collecte séparée des produits et des emballages usagés permet de recycler et de réutiliser des matériaux. La réutilisation de matériaux recyclés évite la pollution de l'environnement et réduit la demande de matières premières.

Des réglementations locales peuvent stipuler la collecte séparée des produits électriques et des produits ménagers, dans des déchetteries municipales ou par le revendeur lorsque vous achetez un nouveau produit.

Black & Decker offre une solution de recyclage des produits Black & Decker lorsqu'ils ont atteint la fin de leur cycle de vie. Pour pouvoir profiter de ce service, veuillez retourner votre produit à un réparateur agréé qui se chargera de le collecter pour nous.

Pour connaître l'adresse du réparateur agréé le plus proche de chez vous, contactez le bureau Black & Decker à l'adresse indiquée dans ce manuel. Vous pourrez aussi trouver une liste de réparateurs agréés de Black & Decker et de plus amples détails concernant notre service après-vente sur le site Internet : www.2helpU.com.

Batteries



Les batteries Black & Decker peuvent être rechargées à n'importe quel moment. Quand elles sont hors d'usage, jetez-les en respectant les normes de protection de l'environnement.

- ◆ Déchargez complètement la batterie, puis retirez-la de l'outil.
- ◆ Les batteries au lithium-ion sont recyclables. Déposez-les chez un technicien d'entretien agréé ou dans un centre de recyclage local.

Caractéristiques techniques

	VPX1212	VPX1222
Tension	V c.c. 14	14
Couple de serrage	Nm 23	23
Aucune vitesse de charge	tr/min 0-350 0-1200	0-350 0-1200
Capacité max de perçage		
Acier	mm 10	10
Béton	mm N/A	10
Bois	mm 25	25
Poids	kg 1,4	1,47
Chargeur	type port double	
Batterie	type Bloc-batteris 2VPX™	Bloc-batteris 2VPX™

Déclaration de conformité CE

VPX1212 VPX1222

Black & Decker déclare que ces produits sont conformes à :
98/37/EC, EN 60745

Niveau de pression sonore selon la norme EN 60745 :
Pression sonore (L_{pA}) 69,86 dB(A), incertitude (K) 3 dB(A)
Puissance acoustique (L_{WA}) 80,86 dB(A), incertitude
(K) 3 dB(A)

Valeurs totales des vibrations (somme vectorielle triaxiale)
selon la norme EN 60745 :

Vissage sans impact (a_{ah}) = 0,869 m/s²,
incertitude (K) = 1,5 m/s²

Perçage, métal (a_{ah}) = 0,628 m/s², incertitude (K) = 1,5 m/s²

Perçage à percussion, béton (a_{ah}) = 6,642 m/s²,
incertitude (K) = 1,5 m/s²

Le soussigné est responsable des données de la fiche
technique et fait cette déclaration au nom de Black & Decker



Kevin Hewitt
Directeur Ingénierie Client
Spennymoor, County Durham DL16 6JG,
Royaume-Uni
14-10-2007

Pour avoir recours à la garantie, il est nécessaire de fournir
une preuve d'achat au vendeur ou à un réparateur agréé.
Pour connaître l'adresse du réparateur agréé le plus proche
de chez vous, contactez le bureau Black & Decker à
l'adresse indiquée dans ce manuel. Vous pourrez aussi
trouver une liste de réparateurs agréés de Black & Decker et
de plus amples détails concernant notre service après-vente
sur le site Internet : www.2helpU.com

Visitez notre site Web www.blackanddecker.fr pour
enregistrer votre nouveau produit Black & Decker et être
informé des nouveaux produits et des offres spéciales. Pour
plus d'informations concernant la marque Black & Decker et
notre gamme de produits, consultez notre site
www.blackanddecker.fr.

Garantie

Black & Decker vous assure la qualité de ses produits et
vous offre une garantie très étendue. Ce certificat de
garantie est un document supplémentaire et ne peut en
aucun cas se substituer à vos droits légaux. La garantie est
valable sur tout le territoire des États Membres de l'Union
Européenne et de la Zone de Libre Échange Européenne.

Si un produit Black & Decker s'avère défectueux en raison
de matériaux en mauvais état, d'une erreur humaine, ou d'un
manque de conformité dans les 24 mois suivant la date
d'achat, Black & Decker garantit le remplacement des
pièces défectueuses, la réparation des produits usés ou
cassés ou remplace ces produits à la convenance du client,
sauf dans les circonstances suivantes :

- ◆ Le produit a été utilisé dans un but commercial,
professionnel, ou a été loué.
- ◆ Le produit a été mal utilisé ou avec négligence.
- ◆ Le produit a subi des dommages à cause de corps
étrangers, de substances ou d'accidents.
- ◆ Des réparations ont été tentées par des techniciens ne
faisant pas partie du service technique de
Black & Decker.

Uso previsto

L'avvitatore/trapano senza filo Black & Decker è stato progettato per trapanare legno, metallo e plastica, oltre che per avvitare. L'avvitatore/trapano senza filo modello VPX1222 può anche essere usato per trapanare murature non troppo dure oltre che per avvitare.

Istruzioni di sicurezza


Avvisi di sicurezza generici per gli elettroutensili



Attenzione! Leggere tutti gli avvisi di sicurezza e tutte le istruzioni. La mancata osservanza di tutte le istruzioni potrebbe causare scosse elettriche, incendi e/o infortuni gravi.

Conservare tutte le istruzioni e le avvertenze per futura consultazione.

1. Il termine "elettrotensile" che ricorre in tutte le avvertenze seguenti si riferisce ad utensili elettrici con o senza filo.
 1. **Sicurezza nella zona di lavoro**
 - a. **Mantenere pulita e bene illuminata l'area di lavoro.** Il disordine e la scarsa illuminazione possono causare incidenti.
 - b. **Evitare d'impiegare gli elettroutensili in ambienti esposti al rischio di esplosione, ad esempio in presenza di liquidi, gas o polveri infiammabili.** Gli elettroutensili producono scintille che possono far infiammare la polvere o i fumi.
 - c. **Mantenere lontani bambini ed astanti mentre si usa l'elettrotensile.** Eventuali distrazioni possono comportare la perdita del controllo dell'elettrotensile.
 2. **Sicurezza elettrica**
 - a. **Le spine elettriche degli elettroutensili devono essere adatte alla presa. Evitare assolutamente di modificare la spina. Non impiegare spine adattatrici con elettroutensili provvisti di messa a terra.** L'uso di spine inalterate e delle prese corrispondenti riduce il rischio di scosse elettriche.
 - b. **Evitare il contatto fisico con superfici collegate a terra, come tubi, radiatori, forni e frigoriferi.** Un corpo collegato a terra è esposto maggiormente al rischio di scosse elettriche.
 - c. **Custodire gli elettroutensili al riparo dalla pioggia o dall'umidità.** L'eventuale infiltrazione di acqua in un elettroutensile va ad aumentare il rischio di scosse elettriche.
 - d. **Non esporre il cavo a sollecitazioni. Non usare il cavo per trasportare o trainare l'elettrotensile e non tirarlo per estrarre la spina dalla presa di corrente. Mantenere il cavo al riparo dal calore, dai bordi taglienti e/o da parti in movimento.** I cavi danneggiati o aggrovigliati aumentano il rischio di scosse elettriche.
 - e. **Se l'elettrotensile viene adoperato all'aperto, usare esclusivamente prolunghe omologate per l'impiego all'esterno.** Un cavo adatto per uso esterno riduce il rischio di scosse elettriche.
 - f. **Se non è possibile evitare di lavorare in una zona umida, usare un'alimentazione elettrica protetta da un dispositivo a corrente residua (RCD).** L'uso di un dispositivo RCD riduce il rischio di scosse elettriche.
3. **Sicurezza delle persone**
 - a. **È importante concentrarsi su ciò che si sta facendo e maneggiare con giudizio l'elettrotensile. Non adoperare l'elettrotensile se si è stanchi o sotto l'effetto di stupefacenti, alcol o medicinali.** Un attimo di distrazione durante l'uso dell'elettrotensile può causare gravi infortuni personali.
 - b. **Utilizzo di un equipaggiamento di protezione personale. Indossare sempre degli occhiali di sicurezza.** Se si avrà cura d'indossare l'equipaggiamento protettivo come necessario, ad esempio una maschera antipolvere, delle calzature antiscivolo, un casco o delle otoprotezioni, si riduce il rischio di infortuni.
 - c. **Impedire l'avviamento involontario. Accertarsi che l'interruttore di accensione sia regolato su spento prima di collegare l'elettrotensile all'alimentazione elettrica e/o al battery pack, di prenderlo in mano o di trasportarlo.** Per non esporsi al rischio di incidenti, non trasportare gli elettroutensili tenendo le dita sull'interruttore oppure, se sono collegati a un'alimentazione elettrica, con l'interruttore acceso.
 - d. **Prima di accendere un elettroutensile, togliere eventuali chiavi o attrezzi di regolazione.** Un attrezzo o una chiave lasciati in un componente mobile dell'elettrotensile possono causare lesioni.
 - e. **Non sporgersi. Mantenere sempre un buon equilibrio evitando posizioni malsicure.** In questo modo è possibile controllare meglio l'elettrotensile in situazioni inaspettate.
 - f. **Vestirsi adeguatamente. Evitare di indossare indumenti larghi o gioielli. Tenere capelli, vestiti e guanti lontani da pezzi in movimento.** Vestiti larghi, gioielli o capelli lunghi possono impigliarsi nelle parti in movimento.

- g. Se gli elettrotensili sono provvisti di attacchi per il collegamento di dispositivi di aspirazione o di raccolta della polvere, assicurarsi che questi siano installati e utilizzati correttamente.** L'impiego di tali dispositivi può ridurre i rischi correlati alle polveri.
- 4. Uso e cura degli elettrotensili**
- a. Non sovraccaricare l'elettrotensile. Usare l'elettrotensile adatto per il lavoro da eseguire.** Utilizzando l'elettrotensile adatto si potrà lavorare meglio e con maggiore sicurezza alla potenza nominale prevista.
- b. Non utilizzare elettrotensili con interruttori difettosi.** Un elettrotensile che non può essere controllato mediante l'interruttore è pericoloso e deve essere riparato.
- c. Scollegare la spina dalla presa di corrente e/o il battery pack dall'elettrotensile prima di regolarlo o di riporlo oppure di sostituire gli accessori.** Queste precauzioni di sicurezza riducono le possibilità che l'elettrotensile venga messo in funzione inavvertitamente.
- d. Quando non vengono usati, gli elettrotensili devono essere custoditi fuori della portata dei bambini. Non consentire l'uso dell'elettrotensile a persone inesperte o che non abbiano letto le presenti istruzioni.** Gli elettrotensili risultano pericolosi se usati da persone inesperte.
- e. Sottoporre gli elettrotensili alle necessarie procedure di manutenzione. Verificare che le parti mobili siano bene allineate e non inceppate, che non vi siano componenti rotti e che non sussistano altre condizioni che possano compromettere il funzionamento dell'elettrotensile. In caso di danni, riparare l'elettrotensile prima dell'uso.** La scarsa manutenzione causa molti incidenti.
- f. Mantenere affilati e puliti gli utensili da taglio.** Se sottoposti alla giusta manutenzione, gli utensili da taglio con taglienti affilati s'inceppano meno frequentemente e sono più facili da manovrare.
- g. Utilizzare l'elettrotensile, gli accessori e le punte in conformità delle presenti istruzioni, tenendo conto delle condizioni di lavoro e del lavoro da completare.** L'impiego degli elettrotensili per usi diversi da quelli consentiti può dar luogo a situazioni pericolose.
- 5. Uso e cura degli elettrotensili a batteria**
- a. Ricaricare solo usando l'alimentatore prescritto dal fabbricante.** Un alimentatore idoneo a un determinato battery pack potrebbe essere causa di incendio se usato con un battery pack diverso.
- b. Usare gli elettrotensili con gli appositi battery pack.** L'impiego di battery pack di altro tipo potrebbe creare il rischio di lesioni e di incendi.
- c. Quando il battery pack non viene usato, tenerlo lontano da altri oggetti metallici, tipo graffette, monete, chiavi, chiodi, viti o altri oggetti metallici di piccole dimensioni, che potrebbero collegare un morsetto all'altro.** Se i morsetti della batteria vengono cortocircuitati si potrebbero causare ustioni o un incendio.
- d. A seguito di un uso improprio, la batteria potrebbe espellere del liquido; evitare ogni contatto. In caso di contatto accidentale, lavare con acqua. Se il liquido viene a contatto degli occhi, rivolgersi anche a un medico.** Il liquido espulso dalla batteria potrebbe causare irritazioni o ustioni.
- 6. Riparazioni**
- a. Fare riparare l'elettrotensile solo ed esclusivamente da personale specializzato e solo impiegando pezzi di ricambio originali, onde non alterarne la sicurezza.**
- Additionali avvisi di sicurezza per gli elettrotensili**
-  **Attenzione!** Additionali avvisi di sicurezza per i trapani normali e quelli battenti senza filo.
- ◆ **Indossare otoprotezioni quando si usano i trapani battenti.** L'esposizione al rumore può causare la perdita dell'udito.
 - ◆ **Usare le impugnature ausiliarie fornite con l'elettrotensile.** La perdita di controllo può causare lesioni personali.
 - ◆ **Tenere l'elettrotensile afferrando l'impugnatura isolata se vi è la possibilità che l'avvitatore possa venire a contatto di cavi nascosti o del filo di alimentazione.** Se l'avvitatore viene a contatto di un filo sotto tensione, mette sotto tensione anche le parti metalliche esposte dell'elettrotensile e potrebbe esporre l'operatore a scosse elettriche.
 - ◆ **Usare morsetti o altri metodi pratici per fissare e sorreggere il pezzo su di una piattaforma stabile.** Un pezzo tenuto dalla mano o contro il corpo, può diventare poco stabile e causare la perdita di controllo.
 - ◆ **Prima di trapanare fori o di avvitare viti in pareti, pavimenti o soffitti, controllare l'ubicazione di fili e tubazioni.**
 - ◆ **Questo elettrotensile non è stato progettato per impiego da parte di persone (o bambini) portatrici di handicap fisici, psichici o sensoriali o che non abbiano la dovuta esperienza o conoscenza, a meno che non siano seguite o opportunamente istruite sul suo impiego**

da parte di una persona responsabile della loro sicurezza. Controllare che i bambini non giochino con l'elettrotensile.

- ◆ **L'uso previsto è descritto nel presente manuale d'uso.** Se questo elettrotensile viene usato con accessori o per usi diversi da quelli raccomandati nel presente manuale d'uso, si potrebbero verificare lesioni personali e/o danni alle cose.

Vibrazioni

I valori dichiarati delle emissioni di vibrazioni al paragrafo Dati tecnici e Dichiarazione di conformità del presente manuale, sono stati misurati in base al metodo di test standard previsto dalla normativa EN 60745 e possono essere usati come paragone tra un attrezzo e un altro. Il valore delle emissioni di vibrazioni dichiarato può anche essere usato come valutazione preliminare dell'esposizione.

Attenzione! Il valore delle emissioni di vibrazioni durante l'impiego effettivo dell'elettrotensile può variare da quello dichiarato a seconda di come l'attrezzo viene usato. Il livello delle vibrazioni può aumentare oltre il livello dichiarato.

Quando si valuta l'esposizione alle vibrazioni per determinare le misure di sicurezza richieste, in conformità alla normativa 2002/44/CE, onde proteggere le persone che usano regolarmente gli elettrotensili ai fini delle mansioni svolte, è necessario prendere in considerazione le condizioni effettive di utilizzo e il modo in cui l'attrezzo è usato, oltre a tenere in conto tutte le componenti del ciclo operativo, vale a dire i periodi in cui l'elettrotensile è spento, quando è acceso, ma a riposo e quando è effettivamente utilizzato.

Etichette sull'elettrotensile



Attenzione! Per ridurre il rischio di lesioni, l'utente deve leggere la guida all'uso.

Istruzioni di sicurezza aggiuntive per batterie alimentatori

Batterie

- ◆ Non tentare di aprirle per qualsiasi ragione.
- ◆ Evitare che la batteria si bagni.
- ◆ Non esporre la batteria al calore.
- ◆ Non riporle in luoghi dove la temperatura potrebbe superare i 40 °C.
- ◆ Caricare solo a temperature ambiente tra 10 °C e 40 °C.
- ◆ Caricare solo usando l'alimentatore fornito con l'apparecchio.

- ◆ Quando si smaltiscono le batterie, seguire le istruzioni riportate al capitolo "Protezione dell'ambiente".

Alimentatori

- ◆ Usare l'alimentatore Black & Decker solo per ricaricare la batteria nell'apparecchio con il quale è stato fornito. Altre batterie potrebbero scoppiare causando lesioni alle persone e danni.
- ◆ Non tentare mai di ricaricare batterie non ricaricabili.
- ◆ Fare sostituire immediatamente i fili di alimentazione difettosi.
- ◆ Evitare che l'alimentatore si bagni.
- ◆ Non aprire l'alimentatore.
- ◆ Non collegare l'alimentatore a sonde.



L'alimentatore può solo essere usato all'interno. Leggere il presente manuale d'uso prima dell'impiego.

L'alimentatore si spegne automaticamente, se la temperatura ambiente aumenta eccessivamente. Non appena la temperatura ambiente diminuisce, l'alimentatore riprende a funzionare.



Caricare solo a temperature ambiente tra 10° C e 40° C.



Carica

Sicurezza elettrica



Il doppio isolamento di cui è provvisto l'alimentatore rende superfluo il filo di terra.

Controllare sempre che l'alimentazione corrisponda alla tensione indicata sulla targhetta delle caratteristiche.

- ◆ In caso di danneggiamento del filo di alimentazione, è necessario farlo riparare dal fabbricante o presso un centro assistenza Black & Decker autorizzato in modo da evitare eventuali pericoli.

Caratteristiche

1. Mandrino senza chiave
2. Collare di regolazione coppia (VPX1212)
3. Selettore velocità
4. Pulsante avanti/indietro e di bloccaggio
5. Pulsante di rilascio batteria (sulla batteria)
6. Vano batterie
7. Interruttore a grilletto a velocità variabile
8. Collare di regolazione coppia (VPX1222)

Fig. A

14. Indicatori batteria scarica

Assemblaggio

Montaggio del battery pack (fig. A)

Attenzione! Verificare che il pulsante di bloccaggio (4) sia attivato per evitare l'azionamento involontario dell'interruttore mentre si estrae o si inserisce una batteria.

- ◆ Inserire l'estremità con il terminale metallico del battery pack (9) nel vano della batteria (6) fino a quando si avverte uno scatto e il logo VPX™ appare attraverso l'apposita finestra.

Attenzione! La batteria può solo essere inserita in un unico modo, non forzarla. Se non è possibile inserirla in un verso, estrarla e provare dall'altro verso.

Smontaggio del battery pack (fig. A)

- ◆ Premere il pulsante di rilascio (5) ed estrarre saldamente il battery pack (9) dal rispettivo vano (6).

Ricarica delle batterie (fig. B)

Attenzione! Non caricare il battery pack a temperature ambiente inferiori a 10° C o superiori a 40 °C.

Nota: L'alimentatore non carica il battery pack se la temperatura della cella è inferiore a 0° C o superiore a 60° C circa. Il battery pack deve essere lasciato nell'alimentatore che incomincerà a ricaricare automaticamente, quando, a seconda dei casi, la temperatura della cella aumenta o diminuisce.

- ◆ Collegare l'alimentatore (10) alla presa di rete.
- ◆ Inserire il battery pack (9) nell'alimentatore. Verificare che il battery pack sia completamente insediato nell'alimentatore (10).
- ◆ L'indicatore di carica (11) lampeggia di continuo (lentamente).
- ◆ Lasciare che la batteria si ricarichi per almeno 16 ore.
- ◆ La carica è completa quando l'indicatore di carica (11) rimane acceso di continuo
- ◆ L'alimentatore e il battery pack possono essere lasciati collegati indefinitamente con il LED acceso. Il LED passa al lampeggio (che indica la carica) quando

l'alimentatore di tanto in tanto "rabbocca" la carica della batteria.

- ◆ L'indicatore di carica (11) si accende se il battery pack è inserito nell'alimentatore collegato a una presa elettrica.
- ◆ Caricare le batterie esauste entro una settimana. La durata delle batterie diminuisce parecchio se vengono conservate scariche.

Indicatori di carica

Se l'alimentatore rileva che vi è un problema con il battery pack, fa lampeggiare velocemente l'indicatore (11).

- ◆ In questi casi, reinserire il battery pack (9).
- ◆ Se il problema persiste, inserire un battery pack diverso nell'alimentatore per determinare se funziona.
- ◆ Se il nuovo battery pack si ricarica correttamente, significa che quello originale è difettoso e che deve essere rispedito a un centro di assistenza per il riciclaggio.
- ◆ Se anche con il nuovo battery pack si ottengono i medesimi risultati, portare l'alimentatore presso un centro di assistenza autorizzato per il controllo.

Nota: Ci possono volere anche 15 minuti per determinare se il battery pack è difettoso.

Se il battery pack è troppo caldo o troppo freddo, il LED lampeggia alternamente a un ritmo veloce e lento con un lampeggio veloce e uno lento ripetuti nel tempo.

Collegamento in serie degli alimentatori (fig. C)

Gli alimentatori monovano e a doppio vano possono essere collegati elettricamente in qualsiasi configurazione fino a un massimo di 4 alimentatori. Ciascun alimentatore ha un filo di alimentazione (12) da collegare alla presa di corrente e uno di collegamento (13) da collegare all'alimentatore successivo.

Collegamento in serie degli alimentatori:

- ◆ Collegare il filo di alimentazione (12) a una presa elettrica.
- ◆ Scollegare il filo di alimentazione dall'alimentatore successivo e al suo posto collegare il filo di collegamento (13) dell'alimentatore che è ora collegato alla presa elettrica.
- ◆ Ripetete questo processo per i rimanenti alimentatori.

Gli alimentatori collegati in serie funzionano indipendentemente, come se ognuno di loro fosse collegato a una presa di corrente distinta, di conseguenza è possibile rimuovere qualsiasi batteria senza avere alcun effetto sugli altri alimentatori.

Utilizzo

Accensione e spegnimento (figg. D ed E)

- ◆ Per accendere l'elettrotensile, premere l'interruttore a grilletto a velocità variabile (7).
- ◆ Per spegnere l'elettrotensile, rilasciare l'interruttore a grilletto a velocità variabile (7).
- ◆ Un pulsante di comando avanti/indietro (4) determina la direzione dell'elettrotensile e funge anche da pulsante di bloccaggio.
- ◆ Per selezionare la rotazione in avanti, rilasciare l'interruttore a grilletto a velocità variabile (7) e spostare il pulsante di comando avanti/indietro (4) verso sinistra guardando in avanti.
- ◆ Per selezionare la rotazione inversa, spostare il pulsante di comando avanti/indietro (4) in direzione opposta.
- ◆ La posizione centrale del pulsante di comando (4) blocca l'attrezzo su spento. Accertarsi che l'interruttore a grilletto a velocità variabile (7) sia rilasciato prima di cambiare la posizione del pulsante di comando avanti/indietro (4).
- ◆ Se l'elettrotensile non si accende, controllare per vedere se uno dei due battery pack VPX™ è esausto. Vedere il paragrafo "Indicatori a LED batteria" qui sotto.

Indicatori a LED batteria

Questo prodotto è dotato di componenti elettronici che interrompono l'alimentazione quando uno dei due battery pack è esausto. Se l'elettrotensile si ferma all'improvviso, uno dei due battery pack potrebbe essere esausto. Un LED (14) sul retro dell'impugnatura dell'elettrotensile indica quale battery pack è esausto.

Per far accendere l'indicatore (14) premere l'interruttore a grilletto a velocità variabile (7). Per garantire la massima durata di funzionamento, estrarre entrambi i battery pack e metterli nell'alimentatore. I due indicatori della batteria sono situati sul retro dell'elettrotensile sopra alle batterie. Se la batteria si scarica durante l'impiego dell'elettrotensile, è possibile determinare quale batteria deve essere ricaricata.

Per controllare lo stato della batteria:

- ◆ Premere l'interruttore a grilletto e osservare quale LED si accende.
- ◆ Togliere il battery pack che corrisponde al LED acceso.

Controllo della coppia (figg. D ed E)

Le viti di grandi dimensioni e i pezzi in materiale più duro richiedono una coppia maggiore delle viti più piccole e dei pezzi in materiale più tenero.

- ◆ Per trapanare legno, metallo e plastica, regolare il collare sul simbolo del trapano.

- ◆ Per l'avvitatura, regolarlo sulla taratura desiderata. Se non si sa quale taratura usare, procedere come descritto di seguito:
- ◆ Regolare il collare sulla taratura di coppia più bassa.
- ◆ Serrare la prima vite.
- ◆ Se la frizione scatta prima di aver ottenuto il risultato desiderato, aumentare la taratura del collare e continuare ad avvitare la vite. Ripetere fino a ottenere la taratura corretta. Usare questa taratura per le viti rimanenti.

Funzione battente (solo VPX1222)

Il trapano ha una funzione battente:

- ◆ Per trapanare murature, regolare il collare di controllo della coppia sulla posizione **T**.

Selettore velocità alta/bassa (figg. D ed E)

La funzione a 2 velocità del trapano offre una maggior versatilità.

- ◆ Per selezionare la velocità bassa, con coppia elevata (posizione 1), spegnere l'elettrotensile e lasciare che si fermi. Spostare il selettore della velocità (3) verso il retro.
- ◆ Per selezionare la velocità alta, con coppia bassa (posizione 2), spegnere l'elettrotensile e lasciare che si fermi. Spostare il selettore della velocità (3) verso il davanti.

Attenzione! Non spostare il pulsante di selezione della velocità quando l'elettrotensile è acceso.

Mandrino senza chiave (fig. E)

Per infilare una punta da trapano o altri accessori:

- ◆ Tenere il mandrino (1) e ruotarlo in direzione antioraria, vista dal lato del mandrino.
- ◆ Infilare la punta o un altro accessorio completamente nel mandrino e serrare saldamente ruotando il mandrino (1) in senso orario.

Attenzione! Non tentare di serrare le punte da trapano (o qualsiasi altro accessorio) afferrando il mandrino e facendo ruotare l'elettrotensile altrimenti si possono causare danni al mandrino e lesioni alle persone.

Avvitamento

- ◆ Quando si avvitano delle viti, il pulsante avanti/indietro (4) deve essere spostato verso sinistra.

Spostare il pulsante avanti/indietro (4) verso destra per svitare le viti.

Trapanatura

- ◆ Usare solo punte da trapano affilate.
- ◆ Sorreggere e fissare saldamente il pezzo.

- ◆ Far funzionare il trapano molto lentamente, facendo poca pressione, fino a quando si comincia a formare il foro.
- ◆ Esercitare la pressione perpendicolarmente alla punta. Usare una pressione sufficiente a permettere alla punta di eseguire il foro, ma non così eccessiva da far spegnere il motore o da spostare la punta.
- ◆ Tenere saldamente il trapano con due mani per controllarne lo spostamento rotatorio.
- ◆ Non premere varie volte l'interruttore di accensione a grilletto di un trapano che si è arrestato per tentare di riavviarlo. Il trapano potrebbe subire danni.
- ◆ Contenere al massimo la possibilità di arresto iniziale, riducendo la pressione e trapanando lentamente l'ultima porzione del foro.
- ◆ Tenere acceso il motore mentre si estrae la punta da un foro trapanato. In questo modo si riducono gli inceppamenti.
- ◆ Con un trapano a velocità variabile non è necessario punzonare il foro da trapanare. Usare una velocità lenta per iniziare il foro e aumentarla premendo maggiormente l'interruttore a grilletto quando il foro è abbastanza profondo da poter essere trapanato senza che la punta fuoriesca. Far funzionare alla massima velocità dopo aver iniziato il foro.

Trapanatura del legno

I fori nel legno possono essere eseguiti con la medesima punta da trapano usata per il metallo o con punte a lancia. Queste punte devono essere affilate e devono essere estratte frequentemente durante la trapanatura per eliminare i trucioli dalle scanalature del trapano.

Trapanatura del metallo

Usare olio da taglio quando si trapano i metalli, ad eccezione della ghisa e dell'ottone che devono essere trapanati a secco. Gli oli da taglio che funzionano meglio di tutto sono quelli solforati o l'olio di lardo.

Trapanatura di murature (solo VPX1222)

Usare punte per muratura con inserto in carburo. Consultare il paragrafo "Trapanatura". Mantenere una pressione uniforme sul trapano, ma non così eccessiva da incrinare il materiale fragile. Un flusso uniforme e scorrevole di polvere indica il ritmo di trapanatura adeguato.

Manutenzione

Questo elettrotensile Black & Decker è stato progettato per funzionare a lungo con un minimo di manutenzione. Per ottenere prestazioni sempre soddisfacenti occorre avere cura dell'elettrotensile e sottoporlo a manutenzione periodica.

L'alimentatore non richiede nessuna manutenzione salvo una regolare pulizia.

Attenzione! Prima di eseguire interventi di manutenzione sull'elettrotensile, estrarre la batteria. Scollegare l'alimentatore dalla spina prima di pulirlo.

- ◆ Pulire regolarmente le prese di ventilazione dell'elettrotensile e dell'alimentatore con un pennello o con un panno morbido e asciutto.
- ◆ Il vano del motore deve essere pulito regolarmente con un panno umido. Non usare materiali abrasivi o detergenti a base di solventi.
- ◆ Aprire regolarmente il mandrino e batterlo leggermente per eliminare la polvere dall'interno.

Protezione dell'ambiente



Raccolta differenziata. Questo prodotto non deve essere smaltito con i normali rifiuti domestici.

Nel caso in cui l'elettrotensile Black & Decker debba essere sostituito o non sia più necessario, non smaltirlo con i normali rifiuti domestici. Metterlo da parte per la raccolta differenziata.



La raccolta differenziata dei prodotti e degli imballaggi utilizzati consente il riciclaggio dei materiali e il loro continuo utilizzo. Il riutilizzo dei materiali riciclati favorisce la protezione dell'ambiente prevenendo l'inquinamento e riduce il fabbisogno di materie prime.

Seguire la regolamentazione locale per la raccolta differenziata dei prodotti elettrici che può prevedere punti di raccolta o la consegna dell'elettrotensile al rivenditore presso il quale viene acquistato un nuovo prodotto.

Black & Decker offre ai suoi clienti la possibilità di riciclare i prodotti Black & Decker che hanno esaurito la loro vita di servizio. Per usufruire di tale servizio, è sufficiente restituire il prodotto a qualsiasi tecnico autorizzato, incaricato della raccolta per conto dell'azienda.

Per individuare il tecnico autorizzato più vicino, rivolgersi alla sede Black & Decker locale, presso il recapito indicato nel presente manuale. In alternativa, un elenco completo di tutti i tecnici autorizzati Black & Decker e i dettagli completi sui contatti e i servizi post-vendita sono disponibili su Internet presso: www.2helpU.com.

Batterie



Le batterie Black & Decker possono essere ricaricate molte volte. Alla fine della loro vita utile, smaltirle in conformità alle norme ambientali.

- ◆ Scaricare completamente la batteria e toglierla dall'elettrotensile.

- Le batterie litio-ione sono riciclabili. Portarle presso un tecnico autorizzato o presso il centro di riciclaggio di zona.

Datitecnici

	VPX1212	VPX1222
Tensione	V c.c 14	14
Coppia di uscita (max.)	Nm 23	23
Regime a vuoto	giri/ 0-350 min 0-1200	0-350 0-1200
Capacità di trapanatura max.		
Acciaio	mm 10	10
Cemento	mm N/A	10
Legno	mm 25	25
Peso	kg 1,4	1,47
Alimentatore	tipo a doppio vano	a doppio vano
Batteria	tipo 2 battery pack VPX™	2 battery pack VPX™

Dichiarazione CE di conformità

VPX1212 VPX1222

Black & Decker dichiara che i presenti prodotti sono conformi a:

98/37/EC, EN 60745

Livello di pressione sonora misurato in base a EN 60745:
Pressione sonora (L_{pA}) 69,86 dB(A), incertezza(K) 3 dB(A)
Potenza acustica (L_{WA}) 80,86 dB(A), incertezza (K) 3 dB(A)

Valori totali vibrazioni (somma vettoriale triassiale) in base a EN 60745

Avvitatura senza funzione battente (a_{rh}) = 0,869 m/s²,
incertezza(K) = 1,5 m/s²

Trapanatura del metallo (a_{rh}) = 0,628 m/s², incertezza
(K) = 1,5 m/s²

Trapanatura battente nel cemento (a_{rh}) = 6,642 m/s²,
incertezza (K) = 1,5 m/s²

Il sottoscritto è responsabile della redazione di questo documento tecnico ed effettua questa dichiarazione per conto di Black & Decker



Kevin Hewitt
Direttore tecnico prodotti di consumo
Spennymoor, County Durham DL16 6JG,
Regno Unito
14-10-2007

Garanzia

Certa della qualità dei suoi prodotti, Black & Decker offre una garanzia eccezionale. Il presente certificato di garanzia è complementare ai diritti legali e non li pregiudica in alcun modo. La garanzia è valida entro il territorio degli Stati membri dell'Unione Europea e dell'EFTA (European Free Trade Area).

Se un prodotto Black & Decker risulta difettoso per qualità del materiale, della costruzione o per mancata conformità entro 24 mesi dalla data di acquisto, Black & Decker garantisce la sostituzione delle parti difettose, provvede alla riparazione dei prodotti se ragionevolmente usurati oppure alla loro sostituzione, in modo da ridurre al minimo il disagio del cliente a meno che:

- Il prodotto non sia stato destinato ad usi commerciali, professionali o al noleggio;
- Il prodotto non sia stato usato in modo improprio o scorretto;
- Il prodotto non abbia subito danni causati da oggetti o sostanze estranee oppure incidenti;
- il prodotto non abbia subito tentativi di riparazione non effettuati da tecnici autorizzati né dall'assistenza Black & Decker.

Per attivare la garanzia è necessario esibire la prova di acquisto al venditore o al tecnico autorizzato. Per individuare il tecnico autorizzato più vicino, rivolgersi alla sede Black & Decker locale, presso il recapito indicato nel presente manuale. Altrimenti un elenco completo di tutti i tecnici autorizzati Black & Decker e i dettagli completi sui contatti e i servizi post-vendita sono disponibili su Internet presso:

www.2helpU.com

I clienti che desiderano registrare il nuovo prodotto Black & Decker e ricevere gli aggiornamenti sui nuovi prodotti e le offerte speciali, sono invitati a visitare il sito Web (**www.blackanddecker.it**). Ulteriori informazioni sul marchio e la gamma di prodotti Black & Decker sono disponibili all'indirizzo **www.blackanddecker.it**.

Beoogd gebruik

De snoerloze boormachine/schroevendraaier van Black & Decker is ontworpen voor het boren in hout, metaal, kunststof, maar ook als schroevendraaier. De VPX1222 snoerloze boormachine/schroevendraaier is ook ontworpen voor het boren in zachte steen.

Veiligheidsinstructies


Algemene veiligheidswaarschuwingen voor elektrisch gereedschap



Waarschuwing! Lees alle veiligheidswaarschuwingen en alle instructies. Wanneer de instructies niet in acht worden genomen, kan dit een elektrische schok, brand of ernstig letsel tot gevolg hebben.

Bewaar alle waarschuwingen en instructies als referentiemateriaal.

1. Het hierna gebruikte begrip 'elektrisch gereedschap' heeft betrekking op elektrische gereedschappen voor gebruik op de netspanning (met netsnoer) of op accu (snoerloos).
 1. **Veilige werkomgeving**
 - a. **Houd uw werkomgeving schoon en opgeruimd.** Een rommelige of onverlichte werkomgeving kan tot ongevallen leiden.
 - b. **Gebruik elektrisch gereedschap niet in een omgeving met explosiegevaar, zoals in de nabijheid van brandbare vloeistoffen, gassen of stof.** Elektrisch gereedschap veroorzaakt vonken die het stof of de dampen tot ontsteking kunnen brengen.
 - c. **Houd kinderen en andere personen tijdens het gebruik van elektrisch gereedschap uit de buurt.** Wanneer u wordt afgeleid, kunt u de controle over het gereedschap verliezen.
 2. **Elektrische veiligheid**
 - a. **De netstekker van het gereedschap moet in het stopcontact passen. De stekker mag in geen geval worden omgebouwd. Gebruik geen adapterstekkers in combinatie met geaarde gereedschappen.** Niet omgebouwde stekkers en passende stopcontacten beperken het risico van een elektrische schok.
 - b. **Vermijd aanraking van het lichaam met geaarde oppervlakken, bijvoorbeeld buizen, verwarmingen, fornuizen en koelkasten.** Er bestaat een verhoogd risico voor een elektrische schok wanneer uw lichaam geaard is.
 - c. **Houd het gereedschap uit de buurt van regen en vocht.** Het binnendringen van water in het elektrische gereedschap vergroot het risico van een elektrische schok.
 - d. **Gebruik het snoer niet voor een verkeerd doel. Gebruik het snoer niet om het gereedschap te dragen of op te hangen of om de stekker uit het stopcontact te trekken. Houd het snoer uit de buurt van hitte, olie, scherpe randen of bewegende delen.** Beschadigde of in de war geraakte snoeren vergroten het risico van een elektrische schok.
 - e. **Wanneer u buitenshuis met elektrisch gereedschap werkt, dient u alleen verlengsnoeren te gebruiken die zijn goedgekeurd voor gebruik buitenshuis.** Het gebruik van een verlengsnoer dat geschikt is voor gebruik buitenshuis beperkt het risico van een elektrische schok.
 - f. **Als u een elektrisch gereedschap moet gebruiken in een vochtige locatie, moet u een reststroomschakelaar (RCD) gebruiken.** Met een reststroomschakelaar wordt het risico van een elektrische schok verkleind.
3. **Veiligheid van personen**
 - a. **Wees alert, let goed op wat u doet en ga met verstand te werk bij het gebruik van elektrische gereedschappen. Gebruik elektrisch gereedschap niet wanneer u moe bent of onder invloed van drugs, alcohol of medicijnen.** Een moment van onoplettendheid bij het gebruik van het gereedschap kan leiden tot ernstige verwondingen.
 - b. **Draag persoonlijke beschermende uitrusting. Draag altijd een veiligheidsbril.** Het dragen van persoonlijke beschermende uitrusting zoals een stofmasker, slipvastе werkschoenen, een veiligheidshelm of gehoorbescherming, afhankelijk van de aard en het gebruik van het elektrische gereedschap, vermindert het risico van verwondingen.
 - c. **Voorkom per ongeluk inschakelen. Controleer of de schakelaar in de uit-stand staat voordat u het gereedschap aansluit op het stopcontact en/of de accu en voordat u het gereedschap optilt of gaat dragen.** Wanneer u bij het dragen van het gereedschap uw vinger op de schakelaar houdt of wanneer u het gereedschap per ongeluk inschakelt, kan dat leiden tot ongevallen.
 - d. **Verwijder instelgereedschappen of schroefsleutels voordat u het gereedschap inschakelt.** Een instelgereedschap of sleutel in een draaiend deel van het gereedschap kan tot verwondingen leiden.

- e. **Reik niet te ver. Zorg er altijd voor dat u stevig staat en in evenwicht blijft.** Daardoor kunt u het gereedschap in onverwachte situaties beter onder controle houden.
 - f. **Draag geschikte kleding. Draag geen loshangende kleding of sieraden. Houd haren, kleding en handschoenen uit de buurt van bewegende delen.** Loshangende kleding, sieraden en lange haren kunnen door bewegende delen worden meegenomen.
 - g. **Wanneer stofafzuigings- of stofopvangvoorzieningen kunnen worden gemonteerd, dient u zich ervan te verzekeren dat deze zijn aangesloten en juist worden gebruikt.** Het gebruik van deze voorzieningen beperkt het gevaar door stof.
4. **Gebruik en onderhoud van elektrisch gereedschap**
- a. **Overbelast het gereedschap niet. Gebruik voor uw toepassing het daarvoor bestemde elektrische gereedschap.** Met het passende elektrische gereedschap werkt u beter en veiliger binnen het aangegeven capaciteitsbereik.
 - b. **Gebruik geen elektrisch gereedschap waarvan de schakelaar defect is.** Elektrisch gereedschap dat niet meer kan worden in- of uitgeschakeld, is gevaarlijk en moet worden gerepareerd.
 - c. **Trek de stekker uit het stopcontact en/of de accu uit het elektrisch gereedschap voordat u het gereedschap instelt, toebehoren wisselt of het gereedschap opbergt.** Met deze voorzorgsmaatregel voorkomt u onbedoeld starten van het gereedschap.
 - d. **Bewaar niet-gebruikte elektrische gereedschappen buiten bereik van kinderen. Laat het gereedschap niet gebruiken door personen die er niet vertrouwd mee zijn en deze aanwijzingen niet hebben gelezen.** Elektrische gereedschappen zijn gevaarlijk wanneer deze door onervaren personen worden gebruikt.
 - e. **Verzorg het gereedschap zorgvuldig. Controleer of bewegende delen van het gereedschap correct functioneren en niet klemmen, en of er onderdelen zodanig zijn gebroken of beschadigd dat de werking van het gereedschap nadelig wordt beïnvloed. Laat beschadigde delen repareren voordat u het gereedschap gebruikt.** Veel ongevallen worden veroorzaakt door slecht onderhouden elektrische gereedschappen.
 - f. **Houd snijdende inzetgereedschappen scherp en schoon.** Zorgvuldig onderhouden snijdende inzetgereedschappen met scherpe snijkanten klemmen minder snel en zijn gemakkelijker te geleiden.
- g. **Gebruik elektrische gereedschappen, toebehoren, inzetgereedschappen en dergelijke volgens deze aanwijzingen. Let daarbij op de arbeidsomstandigheden en de uit te voeren werkzaamheden.** Het gebruik van elektrische gereedschappen voor andere dan de voorziene toepassingen kan leiden tot gevaarlijke situaties.
5. **Gebruik en onderhoud van snoerloos elektrisch gereedschap**
- a. **Laad accu alleen op met de door de fabrikant aanbevolen lader.** Een lader die geschikt is voor een bepaald type accu kan brandgevaar opleveren wanneer deze in combinatie met andere accu's wordt gebruikt.
 - b. **Gebruik elektrisch gereedschap alleen in combinatie met specifiek vermelde accu's.** Het gebruik van andere accu's kan gevaar voor letsel en brand opleveren.
 - c. **Houd accu's die niet worden gebruikt uit de buurt van andere metalen voorwerpen, zoals paperclips, munten, spijkers, schroeven of andere kleine metalen voorwerpen die een verbinding van de ene pool naar de andere tot stand kunnen brengen.** Als kortsluiting tussen de polen van de accu's wordt gemaakt, kunnen brandwonden of brand worden veroorzaakt.
 - d. **Onder extreme omstandigheden kan er vloeistof uit de accu spuiten. Vermijd contact. Indien onbedoeld contact plaatsvindt, spoelt u met water. Als vloeistof in aanraking komt met ogen, raadpleegt u bovendien uw huisarts.** Vloeistof die uit de accu spuit, kan irritatie of brandwonden veroorzaken.
6. **Service**
- a. **Laat het gereedschap alleen repareren door gekwalificeerd en vakkundig personeel en alleen met originele vervangingsonderdelen.** Daarmee wordt de veiligheid van het gereedschap gewaarborgd.
- Aanvullende veiligheidswaarschuwingen voor elektrisch gereedschap**
- Waarschuwing!** Aanvullende veiligheidswaarschuwingen voor snoerloze boormachines en slagboormachines.
- 
- ♦ **Draag gehoorbeschermers bij gebruik als slagboor.** Door het geluid van het gereedschap kan uw gehoor worden beschadigd.
 - ♦ **Gebruik de extra handgrepen die bij het gereedschap worden meegeleverd.** Als u de controle over het gereedschap verliest, kan dat letsel veroorzaken.

- ◆ **Houd het gereedschap vast bij de geïsoleerde greepoppervlakken als u een handeling uitvoert waarbij het bevestigingsmateriaal met onzichtbare draden of met het eigen snoer in aanraking kan komen.** Als bevestigingsmateriaal in contact komt met een draad onder spanning, kunnen onbedekte metalen onderdelen van het gereedschap ook onder spanning komen te staan en krijgt u een schok.
- ◆ **Gebruik klemmen of een andere praktische manier om het werkstuk op een stabiel platform vast te zetten en te steunen.** Als u het werkstuk met de hand of tegen uw lichaam vasthoudt, is het niet stabiel en kunt u de controle over het gereedschap verliezen.
- ◆ **Controleer waar zich bedrading en leidingen bevinden voordat u in muren, vloeren of plafonds boort of er schroeven in draait.**
- ◆ **Dit gereedschap mag niet worden gebruikt** door personen (waaronder kinderen) die lichamelijk of geestelijk mindervalide zijn of die geen ervaring met of kennis van dit gereedschap hebben, tenzij ze onder toezicht staan of instructies krijgen wat betreft het gebruik van het gereedschap van een persoon die verantwoordelijk is voor hun veiligheid. Houd toezicht op kinderen om ervoor te zorgen dat zij niet met het apparaat gaan spelen.
- ◆ **In deze instructiehandleiding wordt ingegaan op het beoogde gebruik.** Het gebruik van andere accessoires of hulpstukken dan wel de uitvoering van andere handelingen met dit gereedschap dan in deze gebruikershandleiding worden aanbevolen, kan tot persoonlijk letsel en/of schade aan eigendom leiden.

Trilling

De aangegeven waarden voor trillingsemissie in de technische gegevens en de conformiteitsverklaring zijn gemeten conform een standaardtestmethode die door EN 60745 wordt geboden. Hiermee kan het ene gereedschap met het andere worden vergeleken. De aangegeven waarde voor trillingsemissie kan ook worden gebruikt bij een voorlopige bepaling van blootstelling.

Waarschuwing! De waarde voor trillingsemissie tijdens het werkelijke gebruik van het gereedschap kan verschillen van de aangegeven waarde afhankelijk van de manieren waarop het gereedschap wordt gebruikt. Het trillingsniveau kan hoger worden dan het aangegeven niveau.

Wanneer de blootstelling aan trillingen wordt vastgesteld teneinde veiligheidsmaatregelen te bepalen die worden vereist door 2002/44/EC ter bescherming van personen die tijdens hun werk regelmatig elektrische gereedschappen gebruiken, moet bij een schatting van de blootstelling aan trillingen rekening worden gehouden met de werkelijke omstandigheden van het gebruik en de manier waarop het gereedschap wordt gebruikt. Daarbij moet ook rekening worden gehouden met alle stappen in de gebruiksacyclus, zoals het moment waarop het gereedschap wordt uitgeschakeld en wanneer het gereedschap stationair loopt alsook de aanlooptijd.

Labels op het gereedschaps



Waarschuwing! De gebruiker moet de instructiehandleiding lezen om het risico op letsel te verminderen.

Aanvullende veiligheidsinstructies voor accu's en laders

Accu's

- ◆ Probeer accu's niet te openen, om welke reden ook.
- ◆ Stel de accu niet bloot aan water.
- ◆ Stel de accu niet bloot aan hitte.
- ◆ Bewaar deze niet op locaties met temperaturen van meer dan 40 °C.
- ◆ Laad de accu's alleen op bij een omgevingstemperatuur van 10-40 °C.
- ◆ Gebruik alleen de lader die bij het apparaat is geleverd.
- ◆ Gooi lege accu's weg volgens de instructies in het gedeelte 'Milieu'.

Laders

- ◆ Gebruik de lader van Black & Decker alleen voor accu's waarbij de lader is geleverd. Andere accu's kunnen exploderen met letsel en materiële schade als gevolg.
- ◆ Niet-laadbare accu's mogen nooit worden opgeladen.
- ◆ Een defect snoer moet direct worden vervangen.
- ◆ Stel de lader niet bloot aan water.
- ◆ Open de lader niet.
- ◆ Prik nooit met een scherp voorwerp in de lader.



De lader is uitsluitend bestemd voor binnengebruik.



Lees voor gebruik deze gebruikershandleiding.



De lader wordt automatisch uitgeschakeld als de omgevingstemperatuur te ver oploopt. Wanneer de temperatuur is gedaald, wordt de lader automatisch weer ingeschakeld.



Laad de accu's alleen op bij een omgevingstemperatuur tussen 10° C en 40° C.



Bezig met opladen.

Elektrische veiligheid



Deze lader is dubbel geïsoleerd, zodat een aardaansluiting niet noodzakelijk is. Controleer altijd of uw netspanning overeenkomt met de waarde op het typeplaatje.

- ◆ Als het netsnoer is beschadigd, moet dit worden vervangen door de fabrikant of een Black & Decker-servicecentrum om gevaren te voorkomen.

Onderdelen

1. Spanknop zonder sleutel
2. Stelring voor aanpassing torsie (VPX1212)
3. Keuzeschakelaar snelheid
4. Vooruit/achteruit- en ontgrendelingsknop
5. Ontgrendelingsknop accu (op accu)
6. Accucompartiment
7. Schakelaar voor verschillende snelheden
8. Stelring voor aanpassing torsie (VPX1222)

Fig. A

14. Waarschuwingslampjes voor accu's

Montage

Accu aanbrengen (fig. A)

Waarschuwing! Zorg ervoor dat de ontgrendelingsknop (4) is ingeschakeld om te voorkomen dat de schakelaar per ongeluk wordt geactiveerd voordat u een accu verwijdert of aanbrengt.

- ◆ Plaats het accu-uiteinde met de metalen pool (9) in het accucompartiment (6) totdat u de vergrendeling hoort vastklikken en het VPX™-logo in het venster verschijnt.

Waarschuwing! De accu past slechts op één manier. Gebruik geen geweld. Als de accu niet past, verwijdert u deze en brengt u deze andersom aan.

Accu verwijderen (fig. A)

- ◆ Druk op de ontgrendelingsknop van de accu (5) en trek de accu (9) uit het accucompartiment (6).

De accu's laden (fig. B)

Waarschuwing! Laad de accu's niet op bij omgevingstemperaturen onder 10° C of boven 40° C.

Opmerking: De accu wordt niet opgeladen als de temperatuur van de accu onder ongeveer 0° C of boven 60° C is. Laat de accu in de lader. De accu wordt

automatisch opgeladen zodra de temperatuur van de accu is gestegen of gedaald.

- ◆ Steek de stekker van de lader (10) in een stopcontact.
- ◆ Plaats de accu (9) in de lader. Zorg ervoor dat de accu volledig in de lader (10) is geplaatst.
- ◆ De oplaadindicator (11) gaat langzaam knipperen.
- ◆ De accu's moeten 5 tot 6 uur worden opgeladen.
- ◆ Als de oplaadindicator (11) continu brandt, is de accu volledig opgeladen.
- ◆ U kunt de accu voor onbepaalde tijd in de lader laten zitten wanneer de oplaadindicator brandt. De indicator gaat knipperen (opladen), omdat de accu's door de lader af en toe volledig worden opgeladen.
- ◆ De oplaadindicator (11) blijft branden zo lang de accu zich op de lader bevindt en de lader is aangesloten op het stopcontact.
- ◆ Vervang oude accu's binnen een week. Als u accu's leeg bewaart, wordt de levensduur van de accu's aanzienlijk verminderd.

Oplaadindicatoren

Als de lader een probleem ondervindt met de accu, gaat de oplaadindicator (11) snel knipperen.

- ◆ In dat geval moet u de accu (9) opnieuw plaatsen.
- ◆ Als het probleem blijft bestaan, plaatst u andere accu's in de lader om na te gaan of de lader goed functioneert.
- ◆ Als de nieuwe accu goed wordt geladen, is de oorspronkelijke accu defect. Breng de accu naar een servicecentrum voor recycling.
- ◆ Als de indicator ook bij de nieuwe accu snel knippert, moet u de lader laten testen bij een erkend servicecentrum.

Opmerking: Het kan soms een kwartier duren om na te gaan of de accu's goed functioneren.

Als de accu's te warm of te koud zijn, knippert de indicator afwisselend snel en langzaam.

Acculaders met elkaar verbinden (fig. C)

Laders voor een enkele accu en laders voor twee accu's kunnen met elkaar worden verbonden, tot een maximum van 4 laders. Elke lader beschikt over een voedingskabel (12) die kan worden aangesloten op de lader en over een aansluitsnoer (13) dat kan worden aangesloten op de volgende lader.

De laders met elkaar verbinden:

- ◆ Plaats de voedingskabel (12) in het stopcontact.
- ◆ Verwijder de voedingskabel van de volgende lader en plaats het aansluitsnoer (13) van de lader die nu is aangesloten op het stopcontact.
- ◆ Herhaal dit proces voor de resterende laders.

Laders die met elkaar zijn verbonden functioneren als zelfstandige laders. U kunt daarom ook een accu uit een van de aangesloten laders halen zonder dat dit invloed heeft op de resterende laders.

Gebruik

In- en uitschakelen (fig. D en E)

- ◆ Druk de schakelaar voor verschillende snelheden (7) in om het gereedschap in te schakelen.
- ◆ Laat de schakelaar voor verschillende snelheden (7) los om het gereedschap uit te schakelen.
- ◆ Met de vooruit/achteruit-knop (4) bepaalt u de draairichting van het gereedschap. Deze knop dient ook als ontgrendelingsknop.
- ◆ Als u vooruit draaien wilt selecteren, laat u de schakelaar voor verschillende snelheden (7) los en duwt u de vooruit/achteruit-knop (4) naar links, van achteren gezien.
- ◆ Als u achteruit draaien wilt selecteren, duwt u de vooruit/achteruit-knop (4) in de tegenovergestelde richting.
- ◆ In de middelste stand van de knop (4) is het gereedschap vergrendeld in de uit-stand. Zorg ervoor dat u de schakelaar voor verschillende snelheden (7) loslaat voordat u de stand van de vooruit/achteruit-knop (4) wijzigt.
- ◆ Als het apparaat niet wordt ingeschakeld, controleert u of een van de twee VPX™-accu's leeg is. Zie het onderstaande gedeelte 'Waarschuwinglampjes voor accu'.

Waarschuwinglampjes voor accu

Dit product is voorzien van elektronica die de stroom uitschakelt als een van de accu's leeg is. Als het apparaat plotseling stopt, is een van de accu's mogelijk leeg. Een LED (14) op de achterkant van de handgreep geeft aan welke accu leeg is.

Het waarschuwinglampje (14) brandt alleen als u de schakelaar voor verschillende snelheden (7) indrukt. Verwijder beide accu's en plaats ze in een lader voor een optimale werking van het apparaat. De twee waarschuwinglampjes voor de accu's bevinden zich op de achterkant van het apparaat, boven de accu's. Als de accu leeg raakt terwijl u het apparaat gebruikt, kunt u zien welke accu moet worden opgeladen.

Accustatus controleren:

- ◆ Druk de schakelaar in en kijk welk lampje brandt.
- ◆ Verwijder de accu waarvan het lampje brandt.

Torsieregeling (fig. D en E)

Dit gereedschap is uitgerust met een stelring met 24 standen (2 of 8) waarmee u de gebruiksmodus kunt selecteren en de torsie voor het aandraaien van schroeven kunt instellen. Grote schroeven en harde werkstukmaterialen vereisen een hogere torsie-instelling dan kleine schroeven en zachte werkstukmaterialen.

- ◆ Als u in hout, metaal of kunststof wilt boren, stelt u de stelring in op het symbool voor de boorstand.
- ◆ Als u schroeven wilt draaien, stelt u de stelring op de gewenste instelling in. Als u niet weet wat de juiste instelling is, gaat u als volgt te werk:
- ◆ Stel de stelring in op de laagste torsie-instelling.
- ◆ Draai de eerste schroef aan.
- ◆ Als de koppeling ratelt voordat het gewenste resultaat is bereikt, verhoogt u de instelling van de stelring en gaat u door met het aandraaien van de schroef. Herhaal dit totdat u de juiste instelling bereikt. Gebruik deze instelling voor de resterende schroeven.

Gebruik van klopper (alleen VPX1222)

U kunt de boormachine als klopper gebruiken:

- ◆ Als u in steen wilt boren, stelt u de stelring voor de torsie-instelling in op de stand **T**.

Keuzeschakelaar voor hoge/lage snelheid (fig. D en E)

Omdat de boormachine 2 snelheden heeft, biedt deze meer mogelijkheden.

- ◆ Als u de lage snelheid, de instelling voor hoge torsie (stand 1), wilt selecteren, schakelt u het gereedschap uit en laat u het tot stilstand komen. Duw de keuzeschakelaar voor de snelheid (3) naar achteren.
- ◆ Als u de hoge snelheid, de instelling voor lage torsie (stand 2), wilt selecteren, schakelt u het gereedschap uit en laat u het tot stilstand komen. Duw de keuzeschakelaar voor de snelheid (3) naar voren.

Waarschuwing! Verplaats de keuzeschakelaar voor de snelheid niet terwijl het gereedschap is ingeschakeld.

Spanknop zonder sleutel (fig. E)

Een boor of een ander accessoire plaatsen:

- ◆ Houd de spanknop (1) vast en draai deze linksom, vanaf het uiteinde van de spanknop gezien.
- ◆ Plaats de boor of een ander accessoire volledig in de spanknop en draai de spanknop (1) stevig vast door deze rechtsom te draaien.

Waarschuwing! Probeer boren (of andere accessoires) niet vast te draaien door de spanknop vast te houden en het gereedschap te draaien omdat de spanknop zo beschadigd kan raken en er letsel kan optreden.

Schroeven indraaien

- ◆ Als u schroeven indraait, moet u de voorruit/achterruit-knop (4) naar links duwen.

Duw de voorruit/achterruit-knop (4) naar rechts om schroeven te verwijderen.

Boren

- ◆ Gebruik alleen scherpe boren.
- ◆ Ondersteun het werkstuk en zet het goed vast.
- ◆ Laat de boormachine langzaam draaien en oefen weinig druk uit totdat er een gaatje is ontstaan.
- ◆ Oefen druk uit in een rechte lijn met de boor. Duw hard genoeg om de boor te laten boren, maar niet zo hard dat de motor blijft steken of dat de boor opzij beweegt.
- ◆ Houd de boormachine stevig vast met twee handen om de draaibeweging goed te kunnen controleren.
- ◆ Probeer een vastgelopen boormachine niet in beweging te krijgen door hem in en uit te schakelen. Hierdoor kan de boormachine beschadigd raken.
- ◆ Verklein de kans op blokkering in het laatste gedeelte van het gat door tegen die tijd de druk te verminderen en langzaam te boren.
- ◆ Laat de motor draaien terwijl u de boor uit het geboorde gat trekt. Hierdoor verkleint u de kans op blokkeren.
- ◆ Voor boormachines met een variabele snelheid hebt u geen centerpons nodig om een beginpunt van het boorgat te maken. Gebruik een lage snelheid om met het gat te beginnen en voer de snelheid op door harder op de schakelaar te drukken als het gat diep genoeg is om te boren zonder dat de boor eruit springt. Werk met volle snelheid als er eenmaal een gat is ontstaan.

In hout boren

Gaten in hout kunt u met dezelfde spiraalboren maken die u ook voor metaal gebruikt of met speciale houtboren. Deze boren moeten scherp zijn en moeten tijdens het boren regelmatig uit het gat worden getrokken om spaanders uit de groeven van de boor te verwijderen.

In metaal boren

Gebruik koelolie als u in metaal boort. Uitzonderingen hierop zijn gietijzer en messing waarin u droog moet boren. De koelolies die het beste werken, zijn gezwavelde koelolie of reuzelolie.

In steen boren (alleen VPX1222)

Gebruik steenboren met een hardmetalen punt. Raadpleeg het gedeelte 'Boren'. Oefen een gelijkmatige druk op de boormachine uit, maar niet zoveel dat er scheuren in het broze materiaal ontstaan. Een soepele, gelijkmatige stroom stof geeft de juiste boorsnelheid aan.

Onderhoud

Uw Black & Decker-gereedschap is ontworpen om gedurende langere periode te functioneren met een minimum aan onderhoud. U kunt het gereedschap naar volle tevredenheid blijven gebruiken als u voor correct onderhoud zorgt en het gereedschap regelmatig schoonmaakt.

Naast regelmatige reiniging vereist de lader geen onderhoud.

Waarschuwing! Voordat u onderhoud aan het gereedschap uitvoert, verwijdert u de accu uit het gereedschap. Neem de lader uit het stopcontact voordat u deze schoonmaakt.

- ◆ Reinig regelmatig de ventilatieopeningen van het gereedschap en de lader met een zachte borstel of droge doek.
- ◆ Reinig regelmatig de behuizing van de motor met een vochtige doek. Gebruik geen schuur- of oplosmiddel.
- ◆ Open regelmatig de spanknop en tik erop om eventueel stof uit het binnenste te verwijderen.

Milieu



Aparte inzameling. Dit product mag niet met normaal huishoudelijk afval worden weggegooid.

Mocht u op een dag constateren dat het Black & Decker-product aan vervanging toe is of dat u het apparaat niet meer nodig hebt, gooi het product dan niet bij het restafval. Het product valt onder de categorie voor kleine elektrische apparaten.



Gescheiden inzameling van gebruikte producten en verpakkingsmaterialen maakt het mogelijk materialen te recycleren en opnieuw te gebruiken. Hergebruik van gerecycleerde materialen zorgt voor minder milieuvervuiling en dringt de vraag naar grondstoffen terug.

Plaatselijke verordeningen kunnen voorzien in gescheiden inzameling van huishoudelijke elektrische producten via gemeentelijke stortplaatsen of via de leverancier bij wie u een nieuw product aanschaft.

Black & Decker biedt de mogelijkheid tot het recyclen van afgedankte Black & Decker-producten. Om gebruik te maken van deze service, dient u het product naar een van onze servicecentra te sturen, die de inzameling voor ons verzorgen.

U kunt het adres van het dichtstbijzijnde servicecentrum opvragen via de adressen op de achterzijde van deze handleiding. U kunt ook een lijst van onze servicecentra en meer informatie over onze klantenservice vinden op het volgende internetadres: **www.2helpU.com**.

Accu's



Black & Decker-accu's kunnen veelvuldig worden herladen. Gooi afgedankte accu's op verantwoorde wijze weg:

- ◆ Ontlaad de accu volledig en verwijder deze vervolgens uit het gereedschap.
- ◆ Lithium-ionbatterijen kunnen worden gerecycled. Breng ze naar een servicecentrum of een inzamellocatie in uw woonplaats.

Technische gegevens

	VPX1212	VPX1222
Spanning	Vdc 14	14
Uitgangstorsie (max)	Nm 23	23
Onbelaste snelheid	tpm 0-350	0-350
	0-1200	0-1200
Max. boorvermogen		
Staal	mm 10	10
Beton	mm N.v.t.	10
Hout	mm 25	25
Gewicht	kg 1,4	1,47
Lader	type voor 2 accu's	voor 2 accu's
Accu	type 2 VPX™- accu's	2 VPX™- accu's

EG-conformiteitsverklaring

VPX1212 VPX1222

Black & Decker verklaart dat deze producten in overeenstemming zijn met:

98/37/EG, EN 60745

Geluidsdrukniveau, volgens EN 60745:

Geluidsdruk (L_{pA}) 69,86 dB(A), meetonzekerheid (K) 3 dB(A)

Geluidsvermogen (L_{WA}) 80,86 dB(A), meetonzekerheid (K) 3 dB(A)

Totale trillingwaarden (som triaxvector) volgens EN 60745:

Schroeven indraaien zonder slagen (a_{ah}) = 0,869 m/s², meetonzekerheid (K) = 1,5 m/s²

In metaal boren (a_{ah}) = 0,628 m/s², meetonzekerheid (K) = 1,5 m/s²

Met slagboor in beton boren (a_{ah}) = 6,642 m/s², meetonzekerheid (K) = 1,5 m/s²

Ondergetekende is verantwoordelijk voor de compilatie van het technische bestand en verklaart dit namens Black and Decker.

Kevin Hewitt
 Director of Consumer Engineering
 Spennymoor, County Durham DL16 6JG,
 Verenigd Koninkrijk
 14-10-2007

Garantie

Black & Decker heeft vertrouwen in haar producten en biedt een uitstekende garantie. Deze garantiebepalingen vormen een aanvulling op uw wettelijke rechten en beperken deze niet. De garantie geldt in de lidstaten van de Europese Unie en de Europese Vrijhandelsassociatie.

Mocht uw Black & Decker product binnen 24 maanden na de datum van aankoop defect raken ten gevolge van materiaal- of constructiefouten, dan garanderen wij de kosteloze vervanging van defecte onderdelen, de reparatie van het product of de vervanging van het product, tenzij:

- ◆ Het product is gebruikt voor handelsdoeleinden, professionele toepassingen of verhuurdoeleinden;
- ◆ Het product onoordeelkundig is gebruikt;
- ◆ Het product is beschadigd door invloeden van buitenaf of door een ongeval;
- ◆ Reparaties zijn uitgevoerd door anderen dan onze servicecentra of Black & Decker-personeel.

Om een beroep te doen op de garantie, dient u een aankoopbewijs te overhandigen aan de verkoper of een van onze servicecentra. U kunt het adres van het dichtstbijzijnde servicecentrum opvragen via de adressen op de achterzijde van deze handleiding. U kunt ook een lijst van onze servicecentra en meer informatie m.b.t. onze klantenservice vinden op het volgende internetadres: **www.2helpU.com**

Meld u aan op onze website **www.blackanddecker.nl** met worden geïnformeerd over nieuwe producten en speciale aanbiedingen. Verdere informatie over het merk Black & Decker en onze producten vindt u op **www.blackanddecker.nl**.

Uso previsto

Su taladro/destornillador inalámbrico Black & Decker está diseñado para destornillar y para taladrar madera, metal y plásticos. El taladro/destornillador inalámbrico VPX1222 también está diseñado para taladrar mampostería ligera. Esta herramienta está pensada únicamente para uso doméstico.

Instrucciones de seguridad

Advertencias de seguridad generales para herramientas eléctricas



¡Atención! Lea todas las advertencias e instrucciones de seguridad. Si no se siguen las instrucciones de seguridad, pueden producirse descargas eléctricas, incendios o lesiones graves.

Guarde todas las advertencias e instrucciones para consultarlas en el futuro.

1. El término "herramienta eléctrica" empleado en las advertencias indicadas a continuación hace referencia a la herramienta eléctrica con alimentación de red (con cable) o alimentada por batería (sin cable).
 1. **Seguridad del área de trabajo**
 - a. **Mantenga limpia y bien iluminada el área de trabajo.** El desorden y una iluminación deficiente en las áreas de trabajo pueden provocar accidentes.
 - b. **No utilice la herramienta eléctrica en un entorno con peligro de explosión, en el que se encuentren combustibles líquidos, gases o material en polvo.** Las herramientas eléctricas producen chispas que pueden llegar a inflamar los materiales en polvo o gases.
 - c. **Mantenga alejados a los niños y otras personas del área de trabajo al emplear la herramienta eléctrica.** Una distracción le puede hacer perder el control sobre la herramienta.
 2. **Seguridad eléctrica**
 - a. **El enchufe de la herramienta eléctrica debe corresponder a la toma de corriente utilizada. No modifique el enchufe en forma alguna. No emplee adaptadores en herramientas eléctricas dotadas con toma de tierra.** Los enchufes sin modificar adecuados a las respectivas tomas de corriente reducen el riesgo de una descarga eléctrica.
 - b. **Evite que su cuerpo toque partes conectadas a tierra como tuberías, radiadores, cocinas y refrigeradores.** El riesgo a quedar expuesto a una descarga eléctrica es mayor si su cuerpo tiene contacto con tierra.
 - c. **No exponga las herramientas eléctricas a la lluvia y evite que penetren líquidos en su interior.** Existe el peligro de recibir una descarga eléctrica si penetran ciertos líquidos en la herramienta eléctrica.
 - d. **Cuide el cable de alimentación. No lo utilice para transportar o colgar la herramienta eléctrica, ni tire de él para sacar el enchufe de la toma de corriente. Manténgalo alejado del calor, aceite, bordes afilados o piezas móviles.** Los cables de red dañados o enredados incrementan el riesgo de descarga eléctrica.
 - e. **Al trabajar con una herramienta eléctrica en el exterior utilice solamente cables de prolongación homologados para su uso en exteriores.** La utilización de un cable de prolongación adecuado para su uso en exteriores reduce el riesgo de descarga eléctrica.
 - f. **Si la utilización de una herramienta eléctrica en un lugar húmedo es inevitable, utilice una fuente protegida con un dispositivo de corriente residual (RCD).** La utilización de un RCD reduce el riesgo de sufrir descargas eléctricas.
3. **Seguridad personal**
 - a. **Esté atento a lo que hace y emplee la herramienta eléctrica con prudencia. No utilice la herramienta eléctrica si estuviese cansado, ni tampoco después de haber consumido alcohol, drogas o medicamentos.** El no estar atento durante el uso de una herramienta eléctrica puede provocar serias lesiones.
 - b. **Utilice un equipo de protección personal. Utilice siempre gafas de protección.** El riesgo de lesionarse se reduce considerablemente si se utiliza un equipo de protección adecuado como una mascarilla antipolvo, zapatos de seguridad con suela antideslizante, casco o protectores auditivos.
 - c. **Impida que la herramienta se ponga en marcha accidentalmente. Asegúrese de que el conmutador de encendido/apagado se encuentra en la posición de apagado antes de conectar la herramienta a la fuente de alimentación o a la batería, o de coger o transportar la herramienta.** Transportar la herramienta eléctrica con el dedo sobre el interruptor o enchufarla con el interruptor encendido puede provocar accidentes.
 - d. **Retire las herramientas de ajuste o llaves fijas antes de conectar la herramienta eléctrica.** Una herramienta o llave colocada en una pieza giratoria de la herramienta eléctrica puede producir lesiones al ponerse a funcionar.

- e. **Sea precavido. Evite adoptar una posición que fatigue su cuerpo; mantenga un apoyo firme sobre el suelo y conserve el equilibrio en todo momento.** Ello le permitirá controlar mejor la herramienta eléctrica en caso de presentarse una situación inesperada.
 - f. **Lleve puesta una vestimenta de trabajo adecuada. No lleve vestidos anchos ni joyas. Mantenga su pelo, vestimenta y guantes alejados de las piezas móviles.** La vestimenta suelta, las joyas y el pelo largo se pueden enganchar con las piezas en movimiento.
 - g. **Siempre que sea posible utilizar unos equipos de aspiración o captación de polvo, asegúrese que éstos estén montados y que sean utilizados correctamente.** El empleo de estos equipos reduce los riesgos derivados del polvo.
- 4. Uso y cuidado de herramientas eléctricas**
- a. **No sobrecargue la herramienta eléctrica. Use la herramienta eléctrica adecuada para cada aplicación.** Con la herramienta eléctrica adecuada podrá trabajar mejor y más seguro dentro del margen de potencia indicado.
 - b. **No utilice herramientas eléctricas con un interruptor defectuoso.** Las herramientas eléctricas que no se puedan controlar mediante el interruptor de encendido y apagado son peligrosas y deben hacerse reparar.
 - c. **Desconecte de la herramienta eléctrica el enchufe de la fuente de alimentación y de la batería antes de realizar cualquier ajuste, cambiar accesorios o guardar la herramienta.** Esta medida preventiva reduce el riesgo de conectar accidentalmente la herramienta eléctrica.
 - d. **Guarde las herramientas eléctricas fuera del alcance de los niños y de las personas que no estén familiarizadas con su uso.** Las herramientas eléctricas utilizadas por personas inexpertas son peligrosas.
 - e. **Cuide sus herramientas eléctricas con esmero. Controle si funcionan correctamente, sin atascarse, las partes móviles de la herramienta eléctrica, y si existen partes rotas o deterioradas que pudieran afectar al funcionamiento de la herramienta. Si la herramienta eléctrica estuviese defectuosa haga que la reparen antes de volver a utilizarla.** Muchos accidentes se deben a herramientas eléctricas con un mantenimiento deficiente.
 - f. **Mantenga las herramientas de corte limpias y afiladas.** Las herramientas de corte mantenidas correctamente se dejan guiar y controlar mejor.

- g. **Utilice la herramienta eléctrica, los accesorios, los útiles de la herramienta, etc. de acuerdo con estas instrucciones, y tenga en cuenta las condiciones de trabajo y la tarea a realizar.** El uso de herramientas eléctricas para trabajos diferentes de aquellos para los que han sido concebidas puede resultar peligroso.

5. Uso y cuidado de la batería

- a. **Recárguela sólo con el cargador especificado por el fabricante.** Un cargador adecuado para un tipo de batería podría suponer un riesgo de incendio si se utiliza con otra batería.
- b. **Utilice herramientas eléctricas solamente con las baterías recomendadas.** El uso de otras baterías puede suponer un riesgo de incendio y lesiones.
- c. **Cuando no se utilice la batería, manténgala alejada de objetos de metal, como clips de papel, monedas, llaves, clavos, tornillos y otros pequeños objetos metálicos, ya que pueden provocar una conexión entre terminales.** Si provoca un cortocircuito entre los terminales de la batería, puede ocasionar un incendio o sufrir quemaduras.
- d. **En condiciones extremas, es posible que la batería expulse líquido; evite el contacto. En caso de tocarlo accidentalmente, enjuáguese con agua. Si el líquido entra en contacto con los ojos, solicite asistencia médica.** El líquido que expulsa la batería puede producir irritación o quemaduras.

6. Servicio técnico

- a. **Haga reparar la herramienta eléctrica sólo por personal técnico autorizado que emplee exclusivamente piezas de repuesto idénticas.** Solamente así se garantiza la seguridad de la herramienta eléctrica.

Advertencias de seguridad adicionales para herramientas eléctricas



¡Atención! Advertencias de seguridad adicionales para taladros y taladros de percusión inalámbricos.

- ◆ **Utilice protectores para los oídos con los taladros de percusión.** La exposición al ruido puede provocar una pérdida de audición.
- ◆ **Utilice las empuñaduras auxiliares suministradas con la herramienta.** La pérdida de control puede provocar lesiones.
- ◆ **Sujete la herramienta eléctrica por la superficie protegida cuando realice una operación en la que el elemento de sujeción pueda entrar en contacto con cableado oculto o con su propio cable.** Los elementos de sujeción en contacto con un cable conectado también podrían provocar un cortocircuito en

las partes metálicas de la herramienta eléctrica y provocar una descarga al usuario.

- ◆ **Utilice abrazaderas u otro método práctico para asegurar y sujetar la pieza de trabajo a una plataforma estable.** Si sostiene la pieza con la mano o contra el cuerpo hay posibilidades de que pierda el control.
- ◆ **Antes de perforar o atornillar paredes, suelos o techos, compruebe la ubicación de los cables y tuberías.**
- ◆ **Esta herramienta no debe ser utilizada** por personas (incluyendo niños) con sus capacidades físicas, sensoriales o mentales disminuidas, o que carezcan de experiencia y conocimientos, salvo que hayan recibido supervisión o formación con respecto al uso del aparato por parte de una persona responsable de su seguridad. Los niños deben vigilarse en todo momento para garantizar que el aparato no se toma como elemento de juego.
- ◆ **En este manual de instrucciones se describe el uso para el que se ha diseñado el aparato.** La utilización de accesorios o la realización de operaciones con esta herramienta distintas de las recomendadas en este manual de instrucciones puede presentar un riesgo de lesiones y/o daños materiales.

Vibración

El valor de emisión de vibraciones declarado en el apartado de características técnicas y en la declaración de conformidad se ha calculado según un método de prueba estándar proporcionado por la norma EN60745 y podrá utilizarse para comparar una herramienta con otra. El valor de emisión de vibraciones declarado también podrá utilizarse en una evaluación preliminar de la exposición.

¡Atención! El valor de emisión de vibraciones durante el funcionamiento real de la herramienta eléctrica puede diferir del valor declarado en función de cómo se utilice dicha herramienta. El nivel de las vibraciones puede aumentar por encima del nivel declarado.

Al evaluar la exposición a las vibraciones con el fin de determinar las medidas de seguridad que exige la norma 2002/44/CE para proteger a las personas que utilizan periódicamente herramientas eléctricas en sus puestos de trabajo, deberá tenerse en cuenta una estimación de la exposición a las vibraciones, las condiciones de uso reales y el modo de empleo de la herramienta, así como los pasos del ciclo operativo como, por ejemplo, el número de veces que la herramienta se apaga y se desconecta y el tiempo de activación.

Etiquetas en las herramientas



¡Atención! Para reducir el riesgo de lesiones, el usuario debe leer el manual de instrucciones.

Instrucciones de seguridad adicionales para baterías y cargadores

Baterías

- ◆ No intente abrirlas bajo ningún concepto.
- ◆ No exponga la batería al agua.
- ◆ No exponga la batería al calor.
- ◆ No las almacene en lugares en los que la temperatura pueda superar los 40 °C.
- ◆ Realice la carga únicamente a una temperatura ambiente entre los 10 °C y 40 °C.
- ◆ Utilice únicamente los cargadores suministrados con la herramienta para realizar la carga.
- ◆ Cuando vaya a desechar las baterías, siga las instrucciones facilitadas en la sección "Protección del medio ambiente".

Cargadores

- ◆ Utilice el cargador Black & Decker únicamente para cargar la batería con la que fue suministrado. En caso de intentar cargar otras baterías, podrían explotar y provocar lesiones y daños personales.
- ◆ Nunca intente cargar baterías no recargables.
- ◆ Sustituya los cables defectuosos inmediatamente.
- ◆ No exponga el cargador al agua.
- ◆ No abra el cargador.
- ◆ No aplique ningún dispositivo para medir la resistencia del cargador.



Este cargador está pensado únicamente para utilizarse en interiores.



Lea el manual de instrucciones antes de utilizar el aparato.



El cargador se apaga automáticamente si detecta que la temperatura ambiente es excesivamente elevada. Cuando la temperatura ambiente haya disminuido, el cargador continuará funcionando.



Realice la carga únicamente a una temperatura ambiente entre los 10 °C y 40 °C.



Cargando.

Seguridad eléctrica



Este cargador está provisto de doble aislamiento, por lo que no requiere una toma de tierra.

Compruebe siempre que la tensión de la red corresponda con el valor indicado en la placa de datos de la herramienta.

- ◆ Si se llegase a dañar el cable de alimentación, deberá ser sustituido por el fabricante o por un centro de asistencia técnica autorizado de Black & Decker para evitar cualquier situación de riesgo.

Características

1. Portabrocas sin llave
2. Collar de ajuste de torsión (VPX1212)
3. Selector de velocidad
4. Botón de avance/retroceso y desbloqueo
5. Botón de liberación de la batería (en la batería)
6. Compartimiento para pilas
7. Interruptor tipo gatillo de velocidad variable
8. Collar de ajuste de torsión (VPX1222)

Fig. A

14. Indicadores de poca carga de batería restante

Montaje

Colocación de la batería (fig. A)

¡Atención! Asegúrese de que el botón de desbloqueo (4) está bloqueado para evitar que se active el interruptor de forma accidental antes de extraer o colocar la batería.

- ◆ Introduzca el extremo metálico del terminal de la batería (9) en el compartimiento de la batería (6) hasta que encaje y aparezca el logotipo de VPX™ en el visor.

¡Atención! La batería sólo encaja en una dirección; no la fuerce. Si la batería no encaja, extráigala y colóquela en la posición inversa.

Extracción de la batería (fig. A)

- ◆ Pulse el botón de liberación de la batería (5) y tire con firmeza de la batería (9) para extraerla del compartimiento (6).

Carga de las baterías (fig. B)

¡Atención! No cargue las baterías a una temperatura ambiente inferior a 10 °C o superior a 40 °C.

Nota: El cargador no cargará la batería si la temperatura de la batería es inferior a 0 °C o superior a 60 °C. Deje la batería en el cargador y éste comenzará la carga automáticamente cuando la temperatura de la batería aumente o disminuya.

- ◆ Enchufe el cargador (10) y conéctelo a la red eléctrica.

- ◆ Inserte la batería (9) en el cargador. Asegúrese de que la batería queda perfectamente encajada en el cargador (10).
- ◆ El indicador de carga (11) parpadeará continuamente (despacio).
- ◆ La batería se debe cargar durante un mínimo de 5 o 6 horas.
- ◆ La carga habrá finalizado cuando el indicador de carga (11) se ilumine de manera continua
- ◆ El cargador y la batería pueden permanecer conectados durante un periodo de tiempo indefinido con el indicador LED iluminado. El indicador LED pasará a parpadear (estado de carga), ya que el cargador completa la carga de la batería ocasionalmente.
- ◆ El indicador de carga (11) permanecerá encendido siempre que la batería esté conectada al cargador y este último permanezca enchufado.
- ◆ Cargue las baterías descargadas en el plazo de 1 semana. La vida útil de la batería disminuirá considerablemente si ésta se almacena descargada.

Indicadores de carga

Si el cargador detecta un problema en la batería, el indicador de carga (11) parpadeará a gran velocidad.

- ◆ En este caso, vuelva a insertar la batería (9).
- ◆ Si el problema continúa, coloque otra batería en el cargador y compruebe que éste funciona correctamente.
- ◆ Si la nueva batería se carga correctamente, la batería original está defectuosa y debe devolverla al centro de servicio para su reciclado.
- ◆ Si el cargador muestra la misma indicación con la batería nueva, llévelo a un centro de servicio autorizado para que lo revisen.

Nota: Es posible que se empleen 15 minutos en determinar si el paquete es defectuoso.

Si la batería está demasiado fría o demasiado caliente, el indicador LED parpadeará rápida y lentamente, de manera alternativa, y se repetirá la secuencia.

Cargadores de batería: conexión en cadena margarita (fig. C)

Es posible conectar eléctricamente hasta cuatro cargadores de puerto único o de puerto doble sin un orden determinado. Cada uno de los cargadores dispone de un cable de entrada de alimentación (12) que se conecta a la toma eléctrica y de un cable de salida de alimentación (13) que se conecta al siguiente cargador.

Para conectar los cargadores mediante una conexión en cadena margarita:

- ◆ Enchufe el cable de entrada de alimentación (12) en una toma eléctrica.
- ◆ Extraiga el cable de entrada de alimentación del siguiente cargador y enchufe el cable de salida de alimentación (13) del cargador que está actualmente conectado en la toma.
- ◆ Repita este proceso con el resto de cargadores.

Los cargadores conectados en cadena margarita funcionan de manera independiente, como si cada uno de ellos estuviese conectado a una toma diferente; por lo tanto, es posible extraer una batería de cualquier punto de la cadena margarita sin que el resto de cargadores se vean afectados.

Uso

Encendido y apagado (fig. D y E)

- ◆ Pulse el interruptor tipo gatillo de velocidad variable (7) para encender la herramienta.
- ◆ Suelte el interruptor tipo gatillo de velocidad variable (7) para apagar la herramienta.
- ◆ Un botón de control de avance/retroceso (4) determina la dirección de la herramienta a la vez que se utiliza como botón de desbloqueo.
- ◆ Para seleccionar el giro hacia delante, suelte el interruptor tipo gatillo de velocidad variable (7) y mueva el botón de control de avance/retroceso (4) hacia la izquierda con la herramienta orientada hacia delante.
- ◆ Para seleccionar la dirección inversa, mueva el botón de control de avance/retroceso (4) en el sentido contrario.
- ◆ Si sitúa el botón de control en la posición central (4), la herramienta se bloquea en la posición de apagado. Asegúrese de soltar el interruptor tipo gatillo de velocidad variable (7) antes de cambiar la posición del botón de control de avance/retroceso (4).
- ◆ Si la herramienta no se enciende, compruebe que ninguna de las dos baterías VPX™ esté agotada. Consulte el apartado "Indicadores LED de estado de la batería" que aparece a continuación.

Indicadores LED de estado de la batería

Este producto dispone de un equipo electrónico que apaga automáticamente la alimentación en caso de que la batería se agote. Si la herramienta se detiene repentinamente, es posible que una de las baterías se haya agotado. Un indicador LED (14) situado en la parte posterior del asa de la herramienta le indicará qué batería está agotada.

Se debe presionar el interruptor tipo gatillo de velocidad variable (7) para que el indicador (14) se ilumine. Para garantizar un tiempo de ejecución óptimo, retire ambas baterías y colóquelas en el cargador. Hay dos indicadores del estado de la batería situados en la parte posterior de la herramienta, sobre el compartimento de las baterías. Gracias a ellos, si la carga de la batería se agota durante el uso de la herramienta, podrá determinar cuál de las baterías debe cambiar.

Para comprobar el estado de la batería:

- ◆ Presione el interruptor y observe cuál de los indicadores LED se ilumina.
- ◆ Retire la batería correspondiente al indicador LED iluminado.

Control de torsión (fig. D y E)

La herramienta dispone de un collar con 24 posiciones (2 o 8) para que seleccione el modo de funcionamiento y ajuste la torsión para apretar tornillos. Los tornillos largos y las piezas de trabajo de materiales duros requieren un ajuste de torsión mayor que los tornillos pequeños y las piezas de trabajo de materiales blandos.

- ◆ Para taladrar madera, metal y plásticos, ajuste el collar en el símbolo de posición de taladrado.
- ◆ Para atornillar, fije el collar en el ajuste deseado. Si no conoce el ajuste adecuado, haga lo siguiente:
- ◆ Ajuste el collar en el ajuste de torsión más bajo.
- ◆ Apriete el primer tornillo.
- ◆ Si la herramienta se detiene antes de obtener el resultado deseado, aumente el ajuste del collar y continúe atornillando. Repita la operación hasta obtener el ajuste correcto. Utilice este ajuste para los tornillos restantes.

Función percutora (sólo el modelo VPX1222)

El taladro dispone de función percutora:

- ◆ Para perforar mampostería, ajuste el collar de control de torsión en la posición **T**.

Selector de velocidad alta/baja (fig. D y E)

La función de dos velocidades del taladro ofrece una mayor versatilidad.

- ◆ Para seleccionar la velocidad baja y el ajuste de par de tensión alto (posición 1), apague la herramienta y espere a que se detenga. Mueva el selector de velocidad (3) hacia atrás.
- ◆ Para seleccionar la velocidad alta y el ajuste de par de tensión bajo (posición 2), apague la herramienta y espere a que se detenga. Mueva el selector de velocidad (3) hacia delante.

¡Atención! No mueva el botón selector de velocidad mientras la herramienta esté encendida.

Portabrocas sin llave (fig. E)

Para insertar una broca u otro accesorio:

- ◆ Sujete el portabrocas (1) y gírelo en el sentido contrario al de las agujas del reloj, desde la base del portabrocas tal como muestra la ilustración.
- ◆ Introduzca la broca u otro accesorio completamente en el portabrocas y fíjelo de forma segura girando el portabrocas (1) en la dirección de las agujas del reloj.

¡Atención! No intente fijar las brocas ni otros accesorios agarrando el portabrocas y encendiendo la herramienta, pues pueden producirse daños en el portabrocas y daños personales.

Atornillar

- ◆ Al atornillar, el botón de avance/retroceso (4) debe pulsarse hacia la izquierda.

Pulse el botón de avance/retroceso (4) hacia la derecha para extraer tornillos.

Perforar

- ◆ Utilice sólo brocas puntiagudas.
- ◆ Apoye y fije la pieza de trabajo correctamente.
- ◆ Accione el taladro muy despacio, y ejerza una ligera presión hasta que comience a perforarse el orificio.
- ◆ Ejerza presión en línea recta con la broca. Presione lo suficiente para que la broca continúe perforando, pero no demasiado para evitar que el motor se paralice o que la broca se desvía.
- ◆ Mantenga firmemente el taladro con las dos manos para controlar el movimiento de giro.
- ◆ No encienda y apague el interruptor de un taladro apagado en un intento de accionarlo. Podrían producirse daños en el taladro.
- ◆ Para reducir al mínimo las paradas durante el avance rápido, disminuya la presión y taladre lentamente la última parte del orificio.
- ◆ Mantenga el motor en funcionamiento mientras extrae la broca del orificio. De este modo, evitará que se produzcan atascos.
- ◆ Gracias a los taladros de velocidad variable, no es necesario utilizar el punzón de centrar en el punto que se va a perforar. Aplique una velocidad baja para comenzar a perforar y ejerza mayor presión en el interruptor para acelerar el movimiento cuando la profundidad del orificio sea la suficiente como para taladrar sin que la broca se salga. Tras introducir la broca, aplique la máxima velocidad.

Perforar madera

Los orificios en la madera pueden realizarse con las mismas brocas helicoidales utilizadas para el metal o con brocas de pala. Las brocas deben estar afiladas y es necesario extraerlas frecuentemente cuando se realizan las perforaciones con el fin de eliminar las astillas de las ranuras del taladro.

Perforar metal

Cuando perfore metal, utilice un lubricante de corte, excepto para el hierro fundido y para el latón, que deben perforarse en seco. Los lubricantes de corte que funcionan mejor son el aceite de corte sulfurizado y el aceite de manteca de cerdo.

Perforar mampostería (sólo el modelo VPX1222)

Utilice las brocas de mampostería con punta de carburo. Consulte la sección "Perforar". Presione firmemente el taladro, aunque no con demasiada fuerza, ya que los materiales quebradizos podrían agrietarse. Un flujo constante y ligero de polvo indica que la velocidad de taladro es la adecuada.

Mantenimiento

La herramienta de Black & Decker ha sido diseñada para que funcione durante un largo período de tiempo con un mantenimiento mínimo. El funcionamiento satisfactorio continuado depende de un cuidado apropiado y una limpieza periódica de la herramienta.

El cargador no requiere de ningún mantenimiento especial excepto la limpieza.

¡Atención! Antes de realizar alguna operación de mantenimiento en la herramienta, extraiga la batería.

Desenchufe el cargador antes de limpiarlo.

- ◆ Limpie periódicamente las ranuras de ventilación de la herramienta y el cargador con un cepillo suave o paño seco.
- ◆ Limpie periódicamente la carcasa del motor con un paño húmedo. No utilice limpiadores de base abrasiva o disolventes.
- ◆ Abra regularmente el portabrocas y golpéelo suavemente para eliminar los restos de polvo que haya en su interior.

Protección del medio ambiente



Recogida selectiva. No se debe desechar este producto con el resto de residuos domésticos.

Si llegase el momento en que fuese necesario sustituir su producto Black & Decker o si éste dejase de tener utilidad para usted, no lo deseche junto con los residuos domésticos. Sepárelo para su recogida selectiva.



La recogida selectiva de productos y embalajes usados permite el reciclaje de materiales y su reutilización. La reutilización de materiales reciclados contribuye a evitar la contaminación medioambiental y reduce la demanda de materias primas.

Las normativas municipales deben ofrecer la recogida selectiva de productos eléctricos del hogar, en puntos municipales previstos para ello o a través del distribuidor en el caso en que se adquiera un nuevo producto.

Black & Decker proporciona facilidades para la recogida y reciclado de los productos Black & Decker que hayan llegado al final de su vida útil. Para poder utilizar este servicio, le rogamos entregue el producto a cualquier servicio técnico autorizado que se hará cargo del mismo en nuestro nombre.

Para consultar la dirección del servicio técnico más cercano póngase en contacto con la oficina local de Black & Decker en la dirección que se indica en este manual. Como alternativa, se puede consultar en Internet, en la dirección siguiente, la lista de servicios técnicos autorizados e información completa sobre nuestros servicios de postventa y contactos: www.2helpU.com.

Baterías



Las baterías de Black & Decker pueden recargarse muchas veces. Al final de su vida útil, deséchelas respetando el medio ambiente:

- ◆ Descargue por completo la batería y, a continuación, extráigala de la herramienta.
- ◆ Las baterías de iones de litio son reciclables. Llévelas al agente autorizado más cercano o a un centro de reciclaje local.

Características técnicas

	VPX1212	VPX1222
Voltaje	V de CC 14	14
Par de torsión de salida (máx.)	Nm 23	23
Velocidad sin carga	rpm 0-350	0-350
	0-1200	0-1200
Capacidad máxima de perforación		
Acero	mm 10	10
Hormigón	mm N/A	10
Madera	mm 25	25
Peso	kg 1,4	1,47
Cargador	Tipo Doble puerto	Doble puerto
Batería	Tipo Dos baterías VPX™	Dos baterías VPX™

Declaración de conformidad CE

VPX1212 VPX1222

Black & Decker declara que estos productos cumplen las normas siguientes:
98/37/CE, EN 60745

Nivel de presión acústica de acuerdo con la directiva EN 60745:

Presión acústica (L_{pA}) 69,86 dB (A), incertidumbre (K) 3 dB (A)

Potencia acústica (L_{WA}) 80,86 dB (A), incertidumbre (K) 3 dB (A)

Valores totales de vibración (suma vectorial triaxial) de acuerdo con la norma EN 60745:

Atornillado sin impacto (a_{ah}) = 0,869 m/s², incertidumbre (K) = 1,5 m/s²

Perforación de metal (a_{ah}) = 0,628 m/s², incertidumbre (K) = 1,5 m/s²

Perforación de hormigón con impacto (a_{ah}) = 6,642 m/s², incertidumbre (K) = 1,5 m/s²

El abajo firmante es responsable de la compilación del archivo técnico y realiza esta declaración en nombre de Black & Decker

Kevin Hewitt
Director de Ingeniería del Consumidor
Spennymoor, County Durham DL16 6JG,
Reino Unido
14-10-2007

Garantía

Black & Decker confía plenamente en la calidad de sus productos y ofrece una garantía extraordinaria. Esta declaración de garantía es un añadido, y en ningún caso un perjuicio para sus derechos estatutarios. La garantía es válida dentro de los territorios de los Estados miembros de la Unión Europea y de los de la Zona Europea de Libre Comercio.

Si cualquier producto de Black & Decker resultara defectuoso debido a materiales o mano de obra defectuosos o a la falta de conformidad, Black & Decker garantiza, dentro de los 24 meses posteriores a la fecha de compra, la sustitución de las piezas defectuosas, la reparación de los productos sujetos a un desgaste y rotura razonables o la sustitución de tales productos para garantizar al cliente el mínimo de inconvenientes, a menos que:

- ◆ El producto se haya utilizado con propósitos comerciales, profesionales o de alquiler.
- ◆ El producto se haya sometido a un uso inadecuado o negligente.
- ◆ El producto haya sufrido daños causados por objetos o sustancias extrañas o accidentes.
- ◆ Se hayan realizado reparaciones por parte de personas que no sean los servicios de reparación autorizados o personal de servicios de Black & Decker.

Para reclamar en garantía, será necesario que presente la prueba de compra al vendedor o al servicio técnico de reparaciones autorizado. Puede consultar la dirección de su servicio técnico más cercano poniéndose en contacto con la oficina local de Black & Decker en la dirección que se indica en este manual. Como alternativa, puede consultar en Internet la lista de servicios técnicos autorizados e información completa de nuestros servicios de postventa y contactos, en la dirección siguiente.: **www.2helpU.com**

Visite el sitio web **www.blackanddecker.eu** para registrar su nuevo producto Black & Decker y estar al día sobre productos y ofertas especiales. Encontrará información adicional sobre la marca Black & Decker y nuestra gama de productos en **www.blackanddecker.eu**.

Utilização

O seu berbequim/chave de fenda sem fios Black & Decker foi concebido para perfurar madeira, metal, plástico e pedra "macia", assim como para servir de chave de fenda. O seu berbequim/chave de fenda VPX1222 destina-se apenas para perfurar pedra macia. Esta ferramenta destina-se apenas a utilização doméstica.

Instruções de segurança

Avisos de segurança gerais para ferramentas eléctricas



Advertência! Leia com atenção todos os avisos de segurança e instruções. O não cumprimento de todas as instruções pode resultar em choque eléctrico, incêndio e/ou graves lesões.

Guarde todos os avisos e instruções para consulta futura.

1. A expressão "ferramenta eléctrica" utilizada a seguir refere-se a ferramentas eléctricas com ligação à corrente eléctrica (com cabo) ou com bateria (sem fios).
 1. **Segurança na área de trabalho**
 - a. **Mantenha a área de trabalho limpa e bem iluminada.** Áreas desarrumadas e mal iluminadas são propícias a acidentes.
 - b. **Não trabalhe com ferramentas eléctricas em áreas com risco de explosão, nas quais se encontrem líquidos, gases ou poeiras inflamáveis.** As ferramentas eléctricas produzem faíscas que podem provocar a ignição de poeiras ou vapores.
 - c. **Mantenha crianças e outras pessoas afastadas durante a utilização da ferramenta eléctrica.** As distrações podem dar origem a que perca o controlo da ferramenta.
 2. **Segurança eléctrica**
 - a. **A ficha da ferramenta eléctrica deve caber na tomada. A ficha não deve ser modificada de modo algum. Não utilize quaisquer fichas adaptadoras com ferramentas eléctricas ligadas à terra.** Fichas sem modificações e tomadas adequadas reduzem o risco de choques eléctricos.
 - b. **Evite que o corpo entre em contacto com superfícies ligadas à terra, como tubos, radiadores, fogões e frigoríficos.** Existe um maior risco de choque eléctrico se o seu corpo estiver ligado à terra.
 - c. **As ferramentas eléctricas não podem ser expostas a chuva nem humidade.** A penetração de água na ferramenta eléctrica aumenta o risco de choques eléctricos.
 - d. **Manuseie o cabo com cuidado. O cabo não deve ser utilizado para transportar ou pendurar a ferramenta, nem para puxar a ficha da tomada. Mantenha o cabo afastado de calor, óleo, pontas afiadas ou partes móveis.** Cabos danificados ou torcidos aumentam o risco de choques eléctricos.
 - e. **Quando trabalhar com uma ferramenta eléctrica ao ar livre, utilize um cabo de extensão apropriado para esse fim.** A utilização de um cabo apropriado para áreas ao ar livre reduz o risco de choques eléctricos.
 - f. **Se for inevitável trabalhar com uma ferramenta eléctrica num local húmido, utilize um Dispositivo de Corrente Residual (RCD).** A utilização de um RCD reduz o risco de choque eléctrico.
3. **Segurança pessoal**
 - a. **Mantenha-se atento, observe o que está a fazer e seja prudente ao trabalhar com a ferramenta eléctrica. Não utilize uma ferramenta eléctrica se estiver cansado ou sob a influência de drogas, álcool ou medicamentos.** Um momento de falta de atenção durante a utilização de ferramentas eléctricas poderá causar graves lesões.
 - b. **Utilize equipamento de protecção pessoal. Use sempre óculos de protecção.** Equipamento de protecção como, por exemplo, máscara anti-poeiras, sapatos de segurança anti-derrapantes, capacete de segurança ou protecção auricular, de acordo com o tipo e a aplicação de ferramenta eléctrica, reduz o risco de lesões.
 - c. **Evite arranques involuntários. Certifique-se de que o botão está desligado antes de ligar a ferramenta à corrente eléctrica e/ou a bateria, pegando ou transportando a ferramenta.** Transportar ferramentas eléctricas com o dedo no botão ou ligar ferramentas eléctricas à tomada com o interruptor na posição de ligado pode dar origem a acidentes.
 - d. **Retire eventuais chaves de ajuste ou chaves de fenda, antes de ligar a ferramenta eléctrica.** Uma chave de fenda ou chave de ajuste que se encontre numa peça rotativa da ferramenta eléctrica poderá causar lesões.
 - e. **Não se incline. Mantenha-se sempre bem posicionado e em equilíbrio.** Desta forma, será mais fácil controlar a ferramenta eléctrica em situações inesperadas.
 - f. **Utilize vestuário adequado. Não utilize roupas largas nem jóias. Mantenha o cabelo, roupa e luvas afastados de peças em movimento.** Roupas largas, jóias ou cabelos longos podem ficar presos nas peças em movimento.

- g. Se for prevista a montagem de dispositivos de extracção e recolha de pó, assegure-se de que estão ligados e que são utilizados de forma correcta.** A utilização destes dispositivos reduz os riscos relacionados com pó.
- 4. Utilização e manutenção da ferramenta eléctrica**
- a. Não sobrecarregue a ferramenta eléctrica. Utilize a ferramenta eléctrica adequada para o trabalho pretendido.** A ferramenta eléctrica correcta realizará o trabalho de forma melhor e mais segura, com a potência com que foi concebida.
- b. Não utilize a ferramenta eléctrica se o interruptor não puder ser ligado nem desligado.** Qualquer ferramenta eléctrica que não possa ser controlada com o interruptor é perigosa e terá de ser reparada.
- c. Desligue a ficha da tomada e/ou a bateria da tomada antes de proceder a ajustes, trocar acessórios ou guardar ferramentas eléctricas.** Estas medidas de prevenção de segurança reduzem o risco de ligação inadvertida da ferramenta eléctrica.
- d. Mantenha as ferramentas eléctricas que não estiverem a ser utilizadas fora do alcance de crianças. Não permita que a ferramenta eléctrica seja utilizada por pessoas não familiarizadas com a mesma ou que não tenham lido estas instruções.** As ferramentas eléctrica são perigosas se utilizadas por pessoas não qualificadas.
- e. Efectue a manutenção das ferramentas eléctricas. Verifique se as partes móveis estão desalinhadas ou bloqueadas, se existem peças partidas ou qualquer outra situação que possa afectar o funcionamento das ferramentas eléctricas. As peças danificadas devem ser reparadas antes da utilização da ferramenta eléctrica.** Muitos acidentes têm como causa uma manutenção insuficiente das ferramentas eléctricas.
- f. Mantenha as ferramentas de corte sempre afiadas e limpas.** As ferramentas de corte com a manutenção adequada e as extremidades afiadas bloqueiam com menos frequência e são mais fáceis de controlar.
- g. Utilize a ferramenta eléctrica, acessórios e peças de ferramenta de acordo com estas instruções, considerando as condições de trabalho e o tarefa a ser executada.** A utilização da ferramenta eléctrica para fins diferentes dos previstos pode resultar em situações perigosas.

- 5. Utilização e manutenção da bateria**
- a. Carregue apenas com o carregador especificado pelo fabricante.** Um carregador adequado para um tipo de bateria pode dar origem a risco de incêndio quando utilizado com outro tipo de bateria.
- b. Utilize ferramentas eléctricas apenas com baterias específicas.** A utilização de outras baterias pode dar origem a risco de danos e incêndio.
- c. Quando uma bateria não estiver a ser utilizada, mantenha-a afastada de outros objectos metálicos, como, por exemplo, clips, moedas, chaves, pregos, parafusos ou outros pequenos objectos metálicos que podem fazer ligação de um terminal a outro.** O curto-circuito de terminais de bateria pode causar queimaduras ou incêndio.
- d. Sob condições exageradas, a bateria pode verter líquido – evitar contacto. Se ocorrer um contacto accidental, lave em abundância com água. Se o líquido entrar em contacto com os olhos, procure assistência médica.** O líquido vertido da bateria pode causar irritação ou queimaduras.
- 6. Reparação**
- a. A sua ferramenta eléctrica só deve ser reparada por pessoal qualificado e só devem ser colocadas peças sobressalentes originais.** Isso garante a manutenção da segurança da ferramenta eléctrica.

Avisos de segurança adicionais para ferramentas eléctricas



Advertência! Avisos de segurança adicionais para berbequins e berbequins de percussão sem fios.

- ◆ **Utilize protecção auditiva com berbequins de percussão.** A exposição a ruídos pode causar perdas auditivas.
- ◆ **Utilize o punho auxiliar fornecido com a ferramenta.** A perda de controlo pode provocar lesões.
- ◆ **Segure a ferramenta eléctrica pelas áreas isoladas quando executar uma operação em que o fixador possa entrar em contacto com a cablagem oculta ou o seu próprio cabo.** O contacto do fixador com um cabo "electrificado" poderá expor peças metálicas do sistema eléctrico da ferramenta e provocar choques ao utilizador.
- ◆ **Utilize grampos ou outro meio para fixar e apoiar a peça numa plataforma estável.** Se fixar a peça com a mão ou contra o seu corpo, fica instável, podendo dar origem à perda de controlo.
- ◆ **Antes de efectuar furos ou apertar parafusos em paredes, tectos ou chãos, verifique a localização de cablagem e tubos.**

- ◆ **Este aparelho não deve ser utilizado** por pessoas (incluindo crianças) que apresentem capacidades físicas, sensoriais ou mentais reduzidas ou que não possuam os conhecimentos e experiência necessários, excepto se forem vigiadas e instruídas acerca da utilização do aparelho por uma pessoa responsável pela sua segurança. As crianças deverão ser vigiadas para que não mexam no aparelho.
- ◆ **A utilização prevista para este aparelho está descrita no manual de instruções.** A utilização de qualquer acessório ou a realização de qualquer operação com este aparelho que não se inclua no presente manual de instruções poderá representar um risco de ferimentos pessoais e/ou danos materiais.

Vibração

Os valores de emissão de vibração declarados na secção de dados técnicos e na declaração de conformidade foram medidos de acordo com o método de teste padrão fornecido pela EN 60745 e podem ser utilizados para comparar ferramentas. O valor de emissão de vibração declarado pode ainda ser utilizado numa avaliação preliminar de exposição.

Advertência! O valor de emissão de vibração durante a utilização actual da ferramenta eléctrica pode ser diferente do valor declarado, dependendo da forma como a ferramenta é utilizada. O nível de vibração pode aumentar acima do nível indicado.

Quando avaliar a exposição da vibração para determinar as medidas de segurança exigidas pela 2002/44/EC para proteger pessoas que utilizem regularmente ferramentas eléctricas, deve ser considerada uma estimativa de exposição de vibração, as actuais condições de utilização e o modo de como a ferramenta é utilizada, incluindo ainda todas as partes do ciclo de funcionamento, como os períodos de inactividade e espera da ferramenta, para além do tempo de funcionamento.

Rótulos na ferramentas



Advertência! Para reduzir o risco de ferimentos, o utilizador deve ler o manual de instruções.

Instruções de segurança adicionais para pilhas e carregadores

Baterias

- ◆ Nunca, por motivo algum, tente abrir as pilhas.
- ◆ Não exponha a pilha à água.
- ◆ Não exponha a bateria ao calor.
- ◆ Não as armazene em locais onde a temperatura possa exceder os 40 °C.
- ◆ Carregue apenas a temperaturas ambiente entre 10 °C e 40 °C.
- ◆ Carregue apenas com o carregador fornecido com a ferramenta.
- ◆ Quando eliminar as baterias, siga as instruções da secção "Proteger o ambiente".

Carregadores

- ◆ As outras baterias podem rebentar, provocando lesões pessoais e danos.
- ◆ Nunca tente carregar baterias não recarregáveis.
- ◆ Substitua os cabos defeituosos imediatamente.
- ◆ Não exponha o carregador à água.
- ◆ Não abra o carregador.
- ◆ Não manipule o interior do carregador.



Apenas deverá ser feita uma utilização interior do carregador.



Leia o manual de instruções antes de utilizar o aparelho.



Logo que a temperatura ambiente arrefeça, o carregador volta a funcionar.



Carregue apenas a temperaturas ambiente entre 10 °C e 40 °C.



A carregar.

Segurança eléctrica



Este carregador tem um isolamento duplo e, por isso, não é necessário um fio de terra. Verifique sempre se a fonte de alimentação corresponde à tensão indicada na placa de especificações.

- ◆ Se o cabo de alimentação for danificado, terá de ser substituído pelo fabricante ou por um centro de assistência autorizada Black & Decker para evitar acidentes.

Funções

1. Mandril sem chave
2. Botão de ajuste de binário (VPX1212)
3. Botão selector de velocidade
4. Botão para a frente/para trás e desbloqueio
5. Botão de desbloqueio da bateria (na bateria)
6. Compartimento da bateria
7. Interruptor de gatilho de velocidade variável
8. Botão de ajuste de binário (VPX1222)

Fig. A

14. Indicadores de bateria fraca

Montagem

Instalar a bateria (fig. A)

Advertência! Certifique-se de que o botão de desbloqueio (4) está na posição correcta para prevenir a activação accidental do interruptor de funcionamento, antes de retirar ou instalar a bateria.

- ◆ Insira o lado do terminal metálico da bateria (9) no compartimento da bateria (6) até ouvir o clique de encaixe no local correcto e ver o logótipo da VPX™ através da janela.

Advertência! A bateria só poderá ser encaixada de uma forma, por isso não a force. Se a bateria não encaixar, retire-a e coloque-a ao contrário.

Retirar a bateria (fig. A)

- ◆ Pressione o botão de desbloqueio da bateria (5) e puxe, com firmeza, a bateria (9) para fora do seu compartimento (6).

Carregar as baterias (fig. B)

Advertência! Não carregue baterias a temperaturas ambiente abaixo de 10 ° C ou acima de 40 ° C.

Nota: O carregador não irá carregar a bateria se a temperatura das células for inferior a aproximadamente 0 ° C ou superior a 60 ° C. A bateria deve ser deixada no carregador e este começará a carregar automaticamente quando a temperatura das células aumentar ou diminuir.

- ◆ Ligue o carregador (10) e ligue-o à corrente.
- ◆ Coloque a bateria (9) no carregador. Certifique-se de que a bateria está completamente introduzida no carregador (10).
- ◆ O indicador de carga (11) irá ficar em modo intermitente contínuo (lento).
- ◆ Deixe a bateria a carregar pelo menos 5 a 6 horas.
- ◆ O processo de carga estará completo quando o indicador de carga (11) se acender de forma contínua
- ◆ O carregador e a bateria podem ser sempre deixados ligados com o LED aceso. O LED irá mudar para o estado intermitente (a carregar), à medida que o

carregador ocasionalmente “preenche” a carga da bateria.

- ◆ O indicador de carga (11) ficará aceso enquanto a bateria estiver fixa ao carregador ligado na tomada.
- ◆ A vida útil de uma bateria diminuirá muito se esta for guardada descarregada.

Indicadores de carga

Se o carregador detectar um problema com uma bateria, o indicador de carga (11) irá ficar em modo intermitente rápido.

- ◆ Se isto acontecer, volte a inserir a bateria (9).
- ◆ Se o problema persistir, insira uma bateria diferente no carregador para determinar se este último está em boas condições.
- ◆ Se a nova bateria carregar correctamente, então a bateria original está defeituosa e deve ser entregue num centro de serviço para reciclagem.
- ◆ Se a bateria nova der a mesma indicação da bateria original leve o carregador até um centro de assistência autorizado para ser testado.

Nota: Pode demorar até quinze minutos a determinar que a bateria está defeituosa.

Se a bateria estiver demasiado quente ou fria, o LED irá ficar em modo intermitente rápido ou lento alternados, piscando uma vez a cada velocidade e repetindo-se.

Carregadores de bateria – em daisy chain (cadeia margarida) (fig. C)

O carregador simples e o duplo podem ser conectados electricamente por qualquer ordem, até um máximo de 4 carregadores. Cada carregador possui um cabo de entrada da alimentação (12) que se liga à tomada eléctrica e um cabo de saída da alimentação (13) que é ligado ao próximo carregador.

Para ligar os carregadores em daisy-chain (cadeia margarida):

- ◆ Ligue o cabo de entrada da alimentação (12) a uma tomada eléctrica.
- ◆ Retire o cabo de entrada da alimentação do carregador seguinte e ligue o cabo de saída (13) do carregador que se encontra agora ligado à tomada.
- ◆ Repita este processo para os restantes carregadores.

Os carregadores ligados juntos em daisy-chain funcionam independentemente, como se cada um estivesse ligado a uma tomada individual. Por isso, é possível retirar uma bateria de qualquer ponto da cadeia sem afectar os outros carregadores.

Utilização

Ligar e desligar (fig. D e E)

- ◆ Para ligar o aparelho, prima o interruptor de gatilho de velocidade variável (7).
- ◆ Para desligar o aparelho, solte o interruptor de gatilho de velocidade variável (7).
- ◆ O botão de controlo para a frente/para trás (4) determina a direcção da ferramenta e serve igualmente como botão de desbloqueio.
- ◆ Para seleccionar a rotação para a frente, solte o interruptor de gatilho de velocidade variável (7) e desloque o botão de controlo para a frente/para trás (4) para a esquerda, com o aparelho orientado para a frente.
- ◆ Para seleccionar a rotação para trás, posicione o botão de controlo para a frente/para trás (4) na direcção contrária.
- ◆ A posição central do botão de controlo (4) bloqueia a ferramenta na posição de desligado. Certifique-se de que o interruptor de gatilho de velocidade variável (7) não está pressionado antes de alterar a posição do botão de controlo para a frente/para trás (4).
- ◆ Se a ferramenta não ligar, verifique se uma das duas baterias VPX™ está gasta. Ver a secção 'Indicadores LED de bateria' abaixo.

Indicadores LED de bateria

Este produto está equipado com um sistema electrónico que desliga a alimentação quando uma das baterias fica gasta. Se a ferramenta parar repentinamente, uma das baterias poderá estar gasta. Um LED (14) na parte de trás do punho da ferramenta irá indicar qual das baterias está gasta.

Para iluminar o indicador (14), pressione o interruptor de gatilho de velocidade variável (7). Para assegurar um tempo de execução ideal, retire ambas as baterias e coloque-as num carregador. Existem dois indicadores de bateria na parte de trás da ferramenta, acima das baterias. Se a bateria ficar gasta durante a utilização do aparelho, poderá determinar qual das baterias necessita de ser recarregada.

Para verificar o estado da bateria:

- ◆ Pressione o gatilho e observe qual dos LED se ilumina.
- ◆ Retire a bateria correspondente ao LED que está iluminado.

Controlo de binário (fig. D e E)

A sua ferramenta é fornecida com um botão de 24 posições (2 ou 8) para seleccionar o modo de funcionamento e para definir o binário para apertar parafusos. Parafusos grandes e materiais duros requerem uma definição de binário mais alta do que parafusos pequenos e materiais mais macios.

- ◆ Para perfurar madeira, metal e plásticos, coloque o botão na posição com o símbolo de perfuração.
- ◆ Para apertar parafusos, coloque o botão na posição desejada. Se não souber qual a posição apropriada, proceda da seguinte forma:
- ◆ Coloque o botão na posição de binário mínimo.
- ◆ Aperte o primeiro parafuso.
- ◆ Se o mecanismo forçar antes de atingir o resultado desejado, aumente a posição do botão e continue a apertar o parafuso. Repita até atingir a posição correcta. Utilize esta posição para os restantes parafusos.

Ação de martelo (apenas para VPX1222)

O seu berbequim possui acção de martelo:

- ◆ Para perfurar em pedra, coloque o botão de controlo de binário na posição **T**.

Selector de velocidade alta/baixa (fig. D e E)

A função de 2 velocidades do seu berbequim permite uma maior versatilidade.

- ◆ Para seleccionar a velocidade baixa, definição de binário alto (posição 1), desligue a ferramenta e permita que a mesma pare. Desloque o botão selector de velocidade (3) para trás.
- ◆ Para seleccionar a velocidade alta, definição de binário baixo (posição 2), desligue a ferramenta e permita que a mesma pare. Desloque o botão selector de velocidade (3) para a frente.

Advertência! Não altere a posição do botão selector de velocidade com a ferramenta em funcionamento.

Mandril sem chave (fig. E)

Para inserir uma broca ou outro acessório:

- ◆ Segure o mandril (1) e rode-o na direcção contrária aos ponteiros do relógio, visto a partir da extremidade do mandril.
- ◆ Insira completamente a broca ou outro acessório no mandril e aperte firmemente rodando o mandril (1) na direcção dos ponteiros do relógio.

Advertência! Não tente apertar brocas (ou qualquer outro acessório) segurando o mandril e rodando a ferramenta, pois nestas condições pode danificar o mandril ou provocar ferimentos pessoais.

Apertar parafusos

- ◆ Quando estiver a apertar um parafuso, o botão para a frente/para trás (4) deverá estar posicionado para o lado esquerdo.

Posicione o botão para a frente/para trás (4) para o lado direito para desapertar parafusos.

Perfurar

- ◆ Utilize apenas brocas bem afiadas.
- ◆ Fixe e apoie, devidamente, o trabalho.
- ◆ Comece a perfurar muito devagar, aplicando pouca pressão, até que o orifício comece a tomar forma.
- ◆ Aplique pressão em linha recta com a broca. Aplique pressão suficiente para manter a broca a perfurar e para não encravar o motor ou desviar a broca.
- ◆ Segure o berbequim com firmeza, com ambas as mãos, para controlar a sua acção de torção.
- ◆ Não pressione o gatilho de um berbequim empancado numa tentativa de o fazer arrancar. Daí podem resultar danos no berbequim.
- ◆ Minimize o encravamento na abertura do orifício, reduzindo a pressão e perfurando devagar na última porção do orifício.
- ◆ Mantenha o motor em funcionamento enquanto puxa a broca para fora de um orifício efectuado. Isto ajudará a reduzir o encravamento.
- ◆ Com velocidades variadas de perfuração, não existe a necessidade de marcar previamente (com um pequeno furo) o local a perfurar. Utilize uma velocidade baixa para iniciar o orifício e acelere, pressionando o gatilho com maior intensidade quando o orifício estiver suficientemente profundo para perfurar sem que a broca salte do lugar. Utilize a velocidade máxima após iniciar a broca.

Perfurar madeira

Os orifícios na madeira podem ser efectuados com as mesmas brocas utilizadas para perfurar metal ou com brocas espada. Estas brocas deverão estar afiadas e devem ser retiradas do orifício frequentemente, quando em utilização para limpar lascas das ranhuras do berbequim.

Perfurar em metal

Utilize um lubrificante de corte quando perfurar metais. São excepções ferro fundido e latão, que devem ser perfurados secos. Os lubrificantes de corte que obtêm melhores resultados são o óleo de corte sulfurado ou o óleo de banha.

Perfurar em pedra (apenas para VPX1222)

Utilize brocas para pedra com ponta em carbono. Consulte a secção "Perfurar". Exerça uma força homogénea no berbequim, mas não demasiada para não rachar o material frágil. Uma fluidez suave e homogénea de pó indica que a taxa de perfuração é a apropriada.

Manutenção

A sua ferramenta Black & Decker foi concebida para funcionar por um longo período de tempo com uma manutenção mínima. Um funcionamento contínuo e satisfatório depende de uma manutenção adequada e da limpeza regular da ferramenta.

O seu carregador não necessita de manutenção para além da limpeza regular.

Advertência! Antes de ser realizada qualquer operação de manutenção na ferramenta, remova a bateria da ferramenta. Desligue o carregador antes de o limpar.

- ◆ Limpe regularmente as aberturas de ventilação do ferramenta e o carregador com uma escova suave ou um pano seco.
- ◆ Limpe regularmente o compartimento do motor com um pano húmido. Não utilize nenhum produto de limpeza abrasivo ou a base de solvente.
- ◆ Abra o mandril regularmente e bata no mesmo para remover qualquer vestígio de pó do seu interior.

Protecção do ambiente



Recolha separada. Este produto não pode ser eliminado juntamente com os resíduos domésticos normais.

Se, em algum momento, for necessário substituir o aparelho ou que este deixou de ter utilidade, não elimine o produto num caixote do lixo. Este produto pode ser separado para reciclagem.



A recolha separada de produtos e embalagens usados permite que os materiais sejam reciclados e novamente utilizados. A reutilização de materiais reciclados ajuda a evitar a poluição ambiental e reduz a procura de matérias-primas.

A legislação local poderá prever a recolha separada de produtos domésticos eléctricos, seja em lixeiras municipais ou através do revendedor quando adquire um produto novo.

A Black & Decker dispõe de instalações para recolha e reciclagem de produtos Black & Decker quando estes atingem o fim da sua vida útil. Para usufruir deste serviço, devolva o produto em qualquer agente de reparação autorizado, que os recolherá em seu nome.

Pode verificar a localização do agente de reparação autorizado mais perto de si, contactando os escritórios locais da Black & Decker através do endereço indicado neste manual. Se preferir, pode encontrar na Internet uma lista de agentes de reparação autorizados Black & Decker, detalhes completos e contactos do serviço pós-venda, no endereço: www.2helpU.com.

Baterias



As baterias Black & Decker podem ser recarregadas muitas vezes. Quando as baterias chegarem ao fim da sua vida útil, elimine-as de forma segura para o ambiente:

- ◆ Deixe a bateria descarregar completamente e, em seguida, remova-a da ferramenta.
- ◆ Leve-as ao seu agente de manutenção autorizado ou a uma estação de reciclagem local.

Dados técnicos

	VPX1212	VPX1222
Tensão	Vdc 14	14
Binário de saída	Nm 23	23
Sem velocidade de carga	rpm 0-350 0-1200	0-350 0-1200
Capacidade máx. de perfuração		
Aço	mm 10	10
Betão	mm N/D	10
Madeira	mm 25	25
Peso	kg 1,4	1,47
Carregador	tipo dupla entrada	dupla entrada
Bateria	tipo 2 baterias VPX™	2 baterias VPX™

Declaração de conformidade CE

VPX1212 VPX1222

A Black & Decker declara que estes produtos estão em conformidade com:
98/37/CE, EN 60745

Nível de pressão acústica de acordo com EN 60745:

Pressão acústica (L_{pA}) 69,86 dB(A), imprecisão (K) 3 dB(A)

Potência acústica (L_{WA}) 80,86 dB(A), imprecisão (K) 3 dB(A)

Valores totais de vibração (soma vectores triax) de acordo com EN 60745:

Apertar parafusos sem percussão (a_{ah}) = 0,869 m/s²,
imprecisão (K) = 1,5 m/s²

Perfurar em Metal (a_{ah}) = 0,628 m/s², imprecisão (K) = 1,5 m/s²

Perfurar com percussão em betão (a_{ah}) = 6,642 m/s²,
imprecisão (K) = 1,5 m/s²

O signatário é responsável pela compilação do ficheiro técnico e efectua esta declaração em nome da Black & Decker

Kevin Hewitt
Director de Engenharia de Consumo
Spennymoor, County Durham DL16 6JG,
Reino Unido
14-10-2007

Garantia

A Black & Decker confia na qualidade dos seus produtos e oferece uma garantia excelente. Esta declaração de garantia é um complemento dos seus direitos estabelecidos por lei, não os prejudicando de forma alguma. A garantia é válida nos territórios dos Estados Membros da União Europeia e da Associação Europeia de Comércio Livre.

Se um produto Black & Decker se avariar devido a defeitos de material, fabrico ou não conformidade, num período de 24 meses após a data da compra, a Black & Decker garante a substituição de peças defeituosas, a reparação de produtos sujeitos a um desgaste aceitável ou a substituição dos mesmos para garantir o mínimo de inconveniente ao cliente, excepto se:

- ◆ O produto tiver sido utilizado para fins comerciais, profissionais ou de aluguer.
- ◆ O produto tiver sido submetido a utilização indevida ou descuido.
- ◆ O produto tiver sido danificado por objectos estranhos, substâncias ou acidentes.
- ◆ Tiverem sido efectuadas tentativas de reparação por pessoas que não sejam agentes de reparação autorizados ou técnicos de manutenção da Black & Decker.

Para accionar a garantia, terá de apresentar comprovativos de compra ao vendedor ou a um agente de reparação autorizado. Pode verificar a localização do agente de reparação autorizado mais perto de si, contactando os escritórios locais da Black & Decker através do endereço indicado neste manual. Se preferir, pode encontrar na Internet uma lista de agentes de reparação autorizados Black & Decker, detalhes completos e contactos do serviço pós-venda, no endereço: www.2helpU.com

Visite o nosso website www.blackanddecker.eu para registar o novo produto Black & Decker e manter-se actualizado relativamente a novos produtos e ofertas especiais. Pode encontrar mais informações sobre a marca Black & Decker e nossa gama de produtos em www.blackanddecker.eu.

Användningsområde

Denna sladdlösa borrar/skruvdragare från Black & Decker är till för borrar i trä, metall och plast samt för skruvdragning. Den sladdlösa borrar/skruvdragaren VPX1222 är även avsedd för borrar i mjukt murverk. Verktöget är endast avsett som konsumentverktyg.

Säkerhetsinstruktioner

Allmänna säkerhetsanvisningar för elverktyg



Varning! Läs alla säkerhetsföreskrifter och alla anvisningar. Om anvisningarna nedan inte följs kan det orsaka elektriska stötar, brand och/eller allvarliga kroppsskador.

Spara alla säkerhetsföreskrifter och anvisningar för framtida bruk.

Nedan använt begrepp "Elverktyg" hänför sig till nätdrivna elverktyg (med nätsladd) och till batteridrivna elverktyg (sladdlösa).

1. Säkerhet i arbetsområdet

- Håll arbetsplatsen ren och välbelyst.** Oordning på arbetsplatsen och dåligt belyst arbetsområde kan leda till olyckor.
- Använd inte elverktöget i explosionsfarlig omgivning med brännbara vätskor, gaser eller damm.** Elverktögen alstrar gnistor som kan antända dammet eller gaserna.
- Håll under arbetet med elverktöget barn och andra personer på betryggande avstånd.** Om du blir störd kan du förlora kontrollen över elverktöget.

2. Elektrisk säkerhet

- Elverktögets stickkontakt måste passa till eluttaget. Stickkontakten får absolut inte ändras. Använd inte adapterkontakter tillsammans med jordade elverktyg.** Med oförändrade stickkontakter och passande vägguttag minskar risken för elstötar.
- Undvik kroppskontakt med jordade ytor som t.ex. rör, värmeelement, spisar och kylskåp.** Risken för elektriska stötar ökar om din kropp är jordad.
- Skydda elverktöget mot regn och väta.** Om vatten tränger in i ett elverktyg ökar risken för elektriska stötar.
- Hantera inte nätsladden ovarsamt. Använd inte sladden för att bära eller dra elverktöget och inte heller för att dra ut verktöget ur vägguttaget. Håll nätsladden borta från värme, olja, skarpa kanter och rörliga maskindelar.** Risken att du får en elstöt är större om sladdarna är skadade eller tilltrasslade.

- Använd endast förlängningssladdar som är godkända för utomhusbruk när du arbetar med elverktyg utomhus.** Om du använder en förlängningssladd som är avsedd för utomhusbruk minskar risken för att du ska få en elstöt.
- Om du måste använda ett elverktyg på en fuktig plats ska du använda jordfelsbrytare.** Jordfelsbrytaren minskar risken för stötar/elchock.

3. Personlig säkerhet

- Var uppmärksam, se på vad du gör och använd elverktöget med förnuft. Använd inte elverktöget när du är trött eller om du är påverkad av droger, alkohol eller mediciner.** Under användning av elverktyg kan även en kort uppmärksamhet leda till allvarliga kroppsskador.
 - Använd skyddsutrustning. Bär alltid skyddsglasögon.** Den personliga skyddsutrustningen, t.ex. dammfiltermask, halkfria säkerhetsskor, hjälm och hörselskydd, reducerar risken för kroppsskada när den används vid rätt tillfällen.
 - Undvik oavsiktlig igångsättning. Kontrollera att strömbrytaren står i avstängt läge innan du ansluter verktöget till elnätet eller sätter i batteriet, samt innan du tar upp eller bär verktöget.** Det kan vara mycket farligt att bära ett elverktyg med fingret på strömbrytaren eller koppla det till nätet respektive sätta i batteriet med strömbrytaren i till-läge.
 - Ta bort alla inställningsverktyg och skruvnycklar innan du startar elverktöget.** Ett verktyg eller en nyckel i en roterande komponent kan orsaka kroppsskada.
 - Sträck dig inte för långt. Se till att du alltid har säker fotfäste och balans.** Därmed har du bättre kontroll över elverktöget i oväntade situationer.
 - Bär lämpliga kläder. Bär inte löst hängande kläder eller smycken. Håll undan hår, kläder och handskar från rörliga delar.** Löst hängande kläder, smycken och långt hår kan fastna i roterande delar.
 - Om elverktöget har dammsugnings- och uppsamlingsutrustning, kontrollera att anordningarna är rätt monterade och används på korrekt sätt.** Dessa anordningar reducerar riskerna förenade med damm.
- #### 4. Bruk och skötsel av elverktyg
- Överbelasta inte elverktöget. Använd rätt elverktyg för det aktuella arbetet.** Med rätt elverktyg kan du arbeta bättre och säkrare med det som verktöget är avsett för.

- b. **Använd inte elverktyget om det inte går att starta och stänga av det med strömbrytaren.** Ett elverktyg som inte kan startas och stängas av med strömbrytaren är farligt och måste repareras.
- c. **Dra stickproppen ur vägguttaget och/eller ta ur batteriet ur elverktyget innan inställningar utförs, tillbehörsdelar byts ut eller elverktyget ställs undan.** Denna skyddsåtgärd förhindrar oavsiktlig inkoppling av elverktyget.
- d. **Förvara elverktygen utom räckhåll för barn. Låt inte elverktyget användas av personer som inte är vana vid det, eller som inte läst denna bruksanvisning.** Elverktyg är farliga om de används av ovana personer.
- e. **Sköt elverktyget omsorgsfullt. Kontrollera att rörliga komponenter fungerar felfritt och inte kärvar, att komponenter inte brustit eller skadats och inget annat föreligger som kan påverka elverktygets funktioner. Om elverktyget är skadat, se till att få det reparerat innan det används.** Många olyckor orsakas av dåligt skötta elverktyg.
- f. **Håll skärverktyg vassa och rena.** Omsorgsfullt skötta skärverktyg med skarpa eggar fastnar inte så lätt och är lättare att hantera.
- g. **Använd elverktyget, tillbehör, insatsverktyg osv. enligt dessa anvisningar och på sätt som föreskrivits för aktuell verktygsmodell. Ta hänsyn till arbetsvillkoren och arbetsmomenten.** Används elverktyget på icke ändamålsenligt sätt kan farliga situationer uppstå.
5. **Användning och skötsel av elverktyg**
- a. **Använd endast den laddare som rekommenderas av tillverkaren.** En laddare som passar till en viss sorts batteri kan orsaka eldsvåda om den används med en annan sort.
- b. **Använd endast elverktyget med batterier som är speciellt avsedda för ändamålet.** Användning av andra batterier kan leda till personskador eller eldsvåda.
- c. **När batteriet inte används ska du hålla det åtskilt från metallföremål som gem, mynt, nycklar, spik, skruvar och andra små metallföremål som kan orsaka kortslutning mellan batteriets poler.** Kortslutning av batteripolerna kan leda till brännskador eller eldsvåda.
- d. **Om batteriet hanteras ovarsamt kan det tränga ut vätska från batteriet; undvik kontakt med vätskan. Om du ändå råkar komma i kontakt med vätskan ska du skölja med vatten. Uppsök läkare om du får vätskan i ögonen.** Batterivätska kan orsaka irritation eller brännskador.

6. Service

- a. **Låt elverktyget repareras endast av utbildade reparatörer och med originalreservdelar.** Detta garanterar att elverktyget förblir säkert.

Ytterligare säkerhetsanvisningar för elverktyg



Varning! Ytterligare säkerhetsanvisningar för sladdlösa bormaskiner och slagbormaskiner.

- ♦ **Bär hörselskydd när du använder slagborrar.** Om du utsätts för höga ljud kan din hörsel bli nedsatt.
- ♦ **Använd de extrahandtag som medföljer verktyget.** Om du förlorar kontrollen över verktyget kan du skada dig själv eller andra.
- ♦ **Håll verktyget i de isolerade greppytorna vid arbete där det riskerar att komma i kontakt med dolda elledningar eller med sin egen sladd.** Om verktyget kommer i kontakt med en strömförande ledning kan dess metalldelar också bli strömförande, vilket leder till att användaren får en elektrisk stöt.
- ♦ **Fäst arbetsstycket vid ett stabilt underlag med klämmor eller på något annat lämpligt sätt.** Om du håller i arbetsstycket med handen eller trycker det mot kroppen blir det instabilt, vilket kan leda till att du tappar kontrollen.
- ♦ **Innan du borrar eller skruvar i väggar, golv eller tak ska du kontrollera om du riskerar att komma åt rör eller elledning.**
- ♦ **Verktyget ska inte användas** av personer (inklusive barn) med nedsatt fysisk eller mental förmåga eller bristande erfarenhet och kunskap, om de inte får vägledning och övervakas av en person som ansvarar för deras säkerhet. Barn ska hållas under uppsikt så att de inte leker med verktyget.
- ♦ **Användningsområdet beskrivs i den här bruksanvisningen.** Om andra tillbehör eller tillsatser används, eller om någon annan åtgärd än de som rekommenderas i den här bruksanvisningen utförs med verktyget kan personer och/eller egendom ta skada.

Vibrationer

De uppgivna vibrationsvärdena som anges i avsnitten Tekniska data och EU-förklaring om överensstämmelse har uppmätts i enlighet med en standardtestmetod föreskriven i EN 60745 och kan användas för jämförelse med andra verktyg. Det uppgivna vibrationsvärdet kan även användas för en preliminär bedömning av exponering.

Varning! Vibrationsvärdet under faktisk användning av elverktyget kan skilja sig från det uppgivna värdet beroende på hur verktyget används. Vibrationsnivån kan överstiga den uppgivna nivån.

Vid uppskattningar av exponering för vibrationer i syfte att bedöma vilka säkerhetsåtgärder som är nödvändiga enligt 2002/44/EC för att skydda personer som regelbundet använder elverktyg i arbetet ska man utgå från de faktiska omständigheter under vilka elverktyget används och sättet på vilket det används. Bedömningen ska även ta hänsyn till alla moment i arbetscykeln, t.ex. när verktyget är avstängt och när det går på tomgång såväl som när det faktiskt används.

Etiketter på verktyg



Varning! Läs bruksanvisningen innan du använder borsten för att minska risken för olyckor.

Ytterligare säkerhetsinstruktioner för batterier och laddare

Batterier

- ◆ Försök aldrig att öppna batterierna.
- ◆ Utsätt inte batteriet för vatten.
- ◆ Utsätt inte batteriet för värme.
- ◆ Förvara inte på platser där temperaturen kan bli högre än 40 °C.
- ◆ Ladda endast vid lufttemperaturer mellan 10 °C och 40 °C.
- ◆ Ladda endast med hjälp av laddare som medföljer apparaten.
- ◆ Följ instruktionerna som anges i avsnittet "Miljö" när du kastar batterierna.

Laddare

- ◆ Den här laddaren från Black & Decker ska endast användas för att ladda batteriet som laddaren levererades med. Andra batterier kan spricka, vilket kan leda till personskador eller andra skador.
- ◆ Försök aldrig att ladda ej uppladdningsbara batterier.
- ◆ Byt defekta sladdar genast.
- ◆ Utsätt inte laddaren för vatten.
- ◆ Öppna inte laddaren.
- ◆ Gör ingen åverkan på laddaren.



Laddaren är endast avsedd för användning inomhus.



Läs den här bruksanvisningen före användning.



Laddaren stängs av automatiskt om temperaturen i omgivningen blir för hög. När temperaturen har sjunkit sätter laddaren igång att ladda igen.



Ladda endast vid lufttemperaturer mellan 10 °C och 40 °C.



Laddning.

Elektrisk säkerhet



Eftersom laddaren är dubbelisolerad behövs ingen jordledare. Kontrollera alltid att nätspänningen överensstämmer med värdet på typskylten.

- ◆ Om nätsladden är skadad måste den för undvikande av fara bytas ut av tillverkaren eller en auktoriserad Black & Decker-verkstad.

Funktioner

1. Nyckelfri chuck
2. Ring för justering av vridmomentet (VPX1212)
3. Hastighetsväljare
4. Framåt-/bakåtknapp/låsknapp
5. Låsknapp för batteri (på batteriet)
6. Batterifack
7. Strömbrytare för variabel hastighet
8. Ring för justering av vridmomentet (VPX1222)

Bild A

14. Indikatorer för kort batteritid

Montering

Sätta i batteriet (bild A)

Varning! Innan du sätter i eller tar ut batterierna ska du kontrollera att låsknappen (4) är nedtryckt, så att du inte råkar sätta på verktyget av misstag.

- ◆ Sätt batteriet (9) i batterifacket (6) med metalldelen först tills du hör att låset klickar till och VPX™-symbolen syns i fönstret.

Varning! Batteriet kan bara sättas i på ett håll; försök inte tvinga in det. Om det inte går att sätta i batteriet vänder du på det.

Ta ut batteriet (bild A)

- ◆ Tryck på låsknappen (5) för batteriet och dra ut batteriet (9) ur batterifacket (6).

Ladda batterierna (bild B)

Varning! Ladda inte batterier om temperaturen i luften är lägre än 10 °C eller högre än 40 °C.

Obs! Laddaren laddar inte batteriet om celltemperaturen är lägre än ca 0 °C eller högre än 60 °C. Låt batterierna sitta kvar i laddaren. Laddaren sätter automatiskt igång att ladda batterierna när celltemperaturen har stigit eller sjunkit.

- ◆ Anslut laddaren (10) till vägguttaget.

- ◆ Sätt batteriet (9) i laddaren. Se till att batteriet sitter ordentligt i laddaren (10).
- ◆ Laddningsindikatorn (11) börjar blinka regelbundet (långsamt).
- ◆ Låt batteriet laddas i minst 5–6 timmar.
- ◆ När batteriet är laddat lyser laddningsindikatorn (11) med ett fast sken.
- ◆ Batteriet kan sitta kvar i laddaren och laddaren kan vara ansluten till vägguttaget hur länge som helst när indikatorn lyser. Indikatorn kommer emellanåt att börja blinka (laddningsläge), eftersom laddaren då och då "fyller på" batteriets laddning.
- ◆ Laddningsindikatorn (11) lyser när batteriet sitter i laddaren och laddaren är ansluten till ett eluttag.
- ◆ Om batterierna inte laddas när de är urladdade försämras batteritiden avsevärt.

Laddningsindikatorer

Om laddaren upptäcker ett fel med batteriet börjar laddningsindikatorn (11) att blinka snabbt.

- ◆ Om detta inträffar ska du ta ut batteriet (9) och sedan sätta tillbaka det igen.
- ◆ Om problemet kvarstår bör du försöka med att sätta ett annat batteri i laddaren för att kontrollera om laddaren är trasig.
- ◆ Om det nya batteriet kan laddas utan problem är det gamla batteriet defekt och bör lämnas till ett servicecenter för återvinning.
- ◆ Om problemet kvarstår med det nya batteriet bör du ta med laddaren till ett auktoriserat servicecenter.

Obs! Det kan ta upp till femton minuter att avgöra om batteriet är defekt.

Om batteriet är för varmt eller för kallt blinkar indikatorn växelvis snabbt och långsamt upprepade gånger med en blinkning i varje hastighet.

Seriekoppling av batteriladdare (bild C)

Både enkelladdare och dubbelladdare kan kopplas ihop i valfri ordning (max 4 laddare). Varje laddare har en nätsladd (12) som kopplas till eluttaget och en anslutningsladd (13) som ansluts till en annan laddare.

Seriekoppla laddarna:

- ◆ Anslut nätsladden (12) till ett eluttag.
- ◆ Dra ut nätsladden ur nästa laddare och anslut anslutningsladden (13) från laddaren som nu är ansluten till eluttaget.
- ◆ Gör samma sak med övriga laddare.

Laddare som är seriekopplade fungerar oberoende av varandra, som om var och en var ansluten till ett separat eluttag. Därför kan man ta ut ett batteri var som helst i kedjan utan att de andra laddarna påverkas.

Användning

Starta och stänga av (bild D och E)

- ◆ Starta verktyget genom att trycka in strömbrytaren för variabel hastighet (7).
- ◆ Stäng av verktyget genom att släppa strömbrytaren för variabel hastighet (7).
- ◆ Med framåt-/bakåtknappen (4) väljer man verktygets riktning. Knappen fungerar även som låsknapp.
- ◆ För att välja framåtrörelsen släpper du strömbrytaren för variabel hastighet (7) och för framåt/bakåtknappen (4) åt vänster (med blicken framåt).
- ◆ För att välja bakåtrörelsen flyttar du framåt-/bakåtknappen (4) åt andra hållet.
- ◆ Genom att ställa knappen (4) i mittenläget låser du verktyget i avstängt läge. Du måste släppa upp strömbrytaren (7) innan du flyttar framåt-/bakåtknappen (4).
- ◆ Om verktyget inte startar kontrollerar du om något av de två VPX™-batterierna är slut. Se avsnittet "Batteriindikatorer" nedan.

Batteriindikatorer

Denna produkt är försedd med elektronik som stänger av strömmen om något av batterierna tar slut. Om verktyget stannar plötsligt kan något av batterierna vara slut. En lysdiod (14) på baksidan av verktygets handtag indikerar vilket batteri som har tagit slut.

För att indikatorn (14) ska tändas måste du trycka in strömbrytaren för variabel hastighet (7). För att säkra en optimal driftstid ska bägge batterierna tas ut och placeras i en laddare. Det sitter två batteriindikatorer på verktygets baksida ovanför batterierna. Om båda eller något av batterierna tar slut medan du använder verktyget kan du ta reda på vilket batteri som behöver laddas.

Kontrollera batteristatus:

- ◆ Tryck in strömbrytaren och kontrollera vilken av indikatorlamporna som tänds.
- ◆ Ta ur det batteri som motsvarar den tända indikatorlampan.

Vridmomentskontroll (bild D och E)

Detta verktyg är utrustat med en ring som har 24 positioner (2 eller 8). Med ringen väljer du verktygets arbets sätt och ställer in vridmomentet vid (efter)dragning av skruvar. Stora skruvar och dragning av skruvar i hårda material kräver ett högre vridmoment än små skruvar och mjuka material.

- ◆ Vid borring i trä, metall och plast vrider du ringen till läget med borsymbolen.
- ◆ Vid idragning av skruvar vrider du ringen till önskat läge. Om du inte vet vilket läge du ska välja gör du så här:

- ◆ Ställ in ringen på det lägsta vridmomentet.
- ◆ Dra åt den första skruven.
- ◆ Om kopplingsspärren slår till innan önskat resultat är uppnått ökar du ringinställningen och fortsätter med att dra åt skruven. Upprepa tills du når den korrekta inställningen. Använd denna inställning med de återstående skruvarna.

Slagborrning (endast VPX1222)

Din bormaskin kan även slagborra:

- ◆ Vid borring i murverk ställer du in vridmomentsringen på läget **T**.

Hastighetsväljare (bild D och E)

Den här borren har två olika hastighetslägen, vilket gör den mer flexibel.

- ◆ Så här väljer du en låg hastighet och ett högt vridmoment (läge 1): Stäng av verktyget och vänta tills det har stannat. Flytta hastighetsväljaren (3) till det bakre läget.
- ◆ Så här väljer du en hög hastighet och ett lågt vridmoment (läge 2): Stäng av verktyget och vänta tills det har stannat. Flytta hastighetsväljaren (3) till det främre läget.

Varning! Flytta inte hastighetsväljaren när verktyget är påslaget.

Nyckelfri chuck (bild E)

Så här monterar du en borrbitt eller annat tillbehör:

- ◆ Håll chocken (1) och vrid den moturs (verktyget sett framifrån).
- ◆ För in en borrbitt eller annat tillbehör helt i chocken och dra åt ordentligt genom att vrida chocken (1) medurs.

Varning! Försök inte sätta fast borrbits (eller något annat tillbehör) genom att gripa tag i chocken och sätta på verktyget. Detta kan leda till personsador eller skador på chocken.

Idragning av skruvar

- ◆ Vid idragning av skruvar ska framåt-/bakåtknappen (4) vara i vänsterläget.

Vid urdragning av skruvar ska framåt-/bakåtknappen (4) vara i högerläget.

Borring

- ◆ Använd endast skarpa borrbits.
- ◆ Se till att arbetsstycket sitter stadigt.
- ◆ Borra långsamt och tryck lätt tills ett litet hål har bildats.
- ◆ Tryck i bitsens riktning. Tryck tillräckligt hårt för att bitsen ska borra, men inte så hårt att motorn stannar eller bitsen böjer sig.

- ◆ Håll borren ordentligt med båda händerna så att du kan hålla emot verktygets vridande rörelse.
- ◆ Om borren stannar ska du inte försöka starta den igen genom att trycka in och släppa strömbrytaren upprepade gånger. Detta kan skada borren.
- ◆ Minska risken för att borren stannar vid genomborring genom att minska trycket och borra sakta den sista biten.
- ◆ Låt motorn vara igång medan du drar ut bitsen ur hålet. Då minskar risken för att verktyget kör fast.
- ◆ När man använder borrar med flera hastighetslägen behöver man inte göra ett påslagshål i arbetsstycket innan man börjar borra. Börja borra med en låg hastighet och öka hastigheten genom att trycka hårdare på strömbrytaren när hålet är så djupt att bitsen inte hoppar ut. Nu kan du borra med maximal hastighet.

Borra i trä

Man kan borra i trä med samma borrbits som används för metallborrning eller med borrar med sidoskär. Använd väslipade bits och dra ut dem med jämna mellanrum under borringen för att rensa bort spån från spårnen.

Borra i metall

Använd smörjmedel när du borrar i metall. När du borrar i gjutjärn eller mässing ska du emellertid inte använda smörjmedel. Sulfurerad skärolja och isterolja fungerar bäst.

Borra i murverk (endast VPX1222)

Använd murverksborr med karbidspets. Se avsnittet "Borrning". Tillämpa ett jämnt tryck på borren, men tryck inte så hårt att det porösa materialet går sönder. Vid korrekt borrhastighet förekommer ett jämnt dammflöde.

Underhåll

Detta Black & Decker-verktyg har tillverkats för att fungera under lång tid med ett minimum av underhåll. Med rätt underhåll och regelbunden rengöring behåller verktyget sin prestanda.

Laddaren behöver inget annat underhåll än regelbunden rengöring.

Varning! Ta ut batteriet ur verktyget innan du utför något underhåll på verktyget. Dra ur sladden till laddaren innan du rengör den.

- ◆ Rengör regelbundet verktygets luftintag och laddaren med en mjuk borste eller torr trasa.
- ◆ Rengör kåpan regelbundet med en fuktig trasa. Använd aldrig rengöringsmedel med lösnings- eller slipmedel.
- ◆ Öppna chocken med jämna mellanrum och knacka på den för att avlägsna damm som sitter på insidan.

Miljö



Separat insamling. Produkten får inte kastas i hushållssoptorna.

Tänk på miljön när du slänger denna Black & Decker-produkt. Släng den inte tillsammans med hushållsavfallet. Lämna produkten för separat insamling.



Insamling av uttjänta produkter och förpackningsmaterial gör att material kan återanvändas. Användning av återvunnet material minskar föreningarna av miljön och behovet av råmaterial.

Lokala föreskrifter kan kräva separat insamling av elprodukter från hushållen, vid kommunala samlingsplatser eller hos återförsäljaren när du köper en ny produkt.

Black & Decker samlar in och återvinner uttjänta Black & Decker-produkter. Om du vill utnyttja denna tjänst återlämnar du produkten till en auktoriserad verkstad, som samlar in den för vår räkning.

För information om närmaste auktoriserade verkstad, kontakta det lokala Black & Decker-kontoret på den adress som är angiven i bruksanvisningen. En lista över alla auktoriserade verkstäder samt servicevillkor finns även tillgänglig på Internet: www.2helpU.com.

Batterier



Batterier från Black & Decker kan laddas om många gånger. Kassera batterierna på ett miljövänligt sätt när de är förbrukade:

- Låt batteriet laddas ur helt och ta sedan ut det ur apparaten.
- Litiumjonbatterier är återvinningsbara. Ta med dem till en auktoriserad verkstad eller en återvinningsstation.

Tekniska data

	VPX1212	VPX1222
Spänning	Vdc 14	14
Utgående vridmoment (max)	Nm 23	23
Tomgångshastighet	varv/ 0-350 min 0-1200	0-350 0-1200
Maximal borrkapacitet		
Stål	mm 10	10
Betong	mm (går ej)	10
Trä	mm 25	25
Vikt	kg 1,4	1,47
Laddare	typ dubbelfack	dubbelfack
Batteri	typ 2 VPX™ batterier	2 VPX™ batterier

EU-förklaring om överensstämmelse

VPX1212 VPX1222

Black & Decker förklarar att dessa produkter överensstämmer med:
98/37/EC, EN 60745

Ljudnivå enligt EN 60745:

Ljudnivå (L_{pA}) 69,86 dB(A), osäkerhet (K) 3 dB(A)
Akustisk effekt (L_{WA}) 80,86 dB(A), osäkerhet (K) 3 dB(A)

Totala vibrationsvärden (vektorsumman av tre axlar) fastställd enligt EN 60745:

Skruidragnig utan slagfunktion (a_{ah}) = 0,869 m/s²,
osäkerhet (K) = 1,5 m/s²
Metallborrning (a_{ah}) = 0,628 m/s², osäkerhet (K) = 1,5 m/s²
Slagborrning i betong (a_{ah}) = 6,642 m/s²,
osäkerhet (K) = 1,5 m/s²

Undertecknad är ansvarig för sammanställningen av tekniska data och utfärdar denna överensstämmelseförklaring på Black & Deckers vägnar.

Kevin Hewitt

Director of Consumer Engineering
Spennymoor, County Durham DL16 6JG,
Storbritannien
2007-10-14

Garanti

Black & Decker garanterar att produkten är fri från material- och/eller fabriktionsfel vid leverans till kund. Garantin gäller utöver konsumentens rättigheter enligt lag och påverkar inte dessa. Garantin gäller inom medlemsstaterna i Europeiska Unionen och i det Europeiska Frihandelsområdet.

Om en Black & Decker-produkt går sönder på grund av material- och/eller fabriktionsfel eller brister i överensstämmelse med specifikationen, inom 24 månader från köpet, åtar sig Black & Decker att reparera eller byta ut produkten med minsta besvär för kunden, förutom om:

- Produkten har använts i kommersiellt, yrkesmässigt eller uthyrningssyfte.
- Produkten har utsatts för felaktig användning eller skötsel.
- Produkten har skadats av främmande föremål, ämnen eller genom olyckshändelse.
- Reparation har utförts av någon annan än en auktoriserad Black & Decker-verkstad.

För att utnyttja garantin skall produkten och inköpskvittot lämnas till återförsäljaren eller till en auktoriserad verkstad senast 2 månader efter det att felet har upptäckts. För information om närmaste auktoriserade verkstad, kontakta det lokala Black & Decker-kontoret på den adress som anges i bruksanvisningen. En förteckning över alla auktoriserade verkstäder samt servicevillkor finns även tillgängliga på Internet: **www.2helpU.com**

Besök vår webbplats **www.blackanddecker.se** för att registrera din nya Black & Decker-produkt och för att få information om nya produkter och specialerbjudanden. Ytterligare information om märket Black & Decker och vårt produktsortiment återfinns på **www.blackanddecker.se**.

Bruksområde

Din batteridrevne drill/skrutrekker fra Black & Decker er utformet for boring i tre, metall og plast og for bruk som skrutrekker. VPX1222 batteridreven drill/skrutrekker er også utformet for boring i bløtt murverk. Dette verktøyet er beregnet bare til privat bruk.

Sikkerhetsinstruksjoner

Generelle sikkerhetsadvarsler for elektroverktøy



Advarsel! Les alle sikkerhetsadvarsler og alle instruksjoner. Hvis ikke alle instruksjonene blir fulgt, kan det medføre elektrisk støt, brann og/eller alvorlige skader.

Ta vare på alle advarsler og instruksjoner for fremtidig bruk.

1. Uttrykket "elektroverktøy" i alle advarslene nedenfor gjelder for strømdrevne elektroverktøy (med ledning) og batteridrevne elektroverktøy (uten ledning).
1. **Sikkerhet i arbeidsområdet**
 - a. **Hold arbeidsområdet rent og godt opplyst.** Rotete arbeidsområder og arbeidsområder uten lys kan føre til ulykker.
 - b. **Ikke arbeid med elektroverktøy i eksplosjonsfarlige omgivelser – der det befinner seg brennbare væsker, gass eller støv.** Elektroverktøy forårsaker gnister som kan antenne støv eller damper.
 - c. **Hold barn og andre personer unna når elektroverktøyet brukes.** Hvis du blir forstyrret under arbeidet, kan du miste kontrollen.
2. **Elektrisk sikkerhet**
 - a. **Støpselet til elektroverktøyet må passe inn i stikkkontakten. Støpselet må ikke forandres på noen som helst måte. Ikke bruk adapterstøpsler sammen med jordede elektroverktøy.** Bruk av originale støpsler og passende stikkontakter reduserer risikoen for elektrisk støt.
 - b. **Unngå kroppskontakt med jordede overflater som rør, radiatorer, komfyrer og kjøleskap.** Det er større fare for elektrisk støt dersom kroppen din er jordet.
 - c. **Hold elektroverktøy unna regn eller fuktighet.** Dersom det kommer vann i et elektroverktøy, øker faren for elektrisk støt.
 - d. **Unngå uforvarlig behandling av ledningen. Elektroverktøyet må aldri bæres eller trekkes etter ledningen, og trekk heller ikke ut støpselet ved å rykke i ledningen. Hold ledningen unna varme, olje, skarpe kanter eller bevegelige deler.** Med skadde eller sammenflokede ledninger øker risikoen for elektrisk støt.
- e. **Når du arbeider utendørs med et elektroverktøy, må du kun bruke en skjøteledning som er godkjent til utendørs bruk.** Når du bruker en skjøteledning som er egnet for utendørs bruk, reduseres risikoen for elektrisk støt.
- f. **Hvis du ikke kan unngå å bruke et elektroverktøy på et fuktig sted, bruker du strømforsyning som er beskyttet med jordfeilbryter.** Bruk av jordfeilbryter reduserer risikoen for elektrisk støt.
3. **Personsikkerhet**
 - a. **Vær oppmerksom, pass på hva du gjør, og vis fornuft når du arbeider med et elektroverktøy. Ikke bruk elektroverktøy når du er trett eller er påvirket av narkotika, alkohol eller medikamenter.** Et øyeblikks uoppmerksomhet under bruk av verktøyet kan føre til alvorlige personskader.
 - b. **Bruk personlig verneutstyr. Bruk alltid vernebriller.** Bruk av personlig verneutstyr, for eksempel støvmaske, sklisikre vernesko, hjelm eller hørselsvern som passer til forholdene, reduserer risikoen for personskader.
 - c. **Forhindre utilsiktet start av elektroverktøyet. Kontroller at bryteren står i posisjon "av" før du kobler til strømkilden og/eller batteripakken, og før du tar opp eller bærer verktøyet.** Det kan føre til ulykker hvis du bærer elektroverktøyet med fingeren på bryteren, eller kobler til verktøyet når bryteren ikke står i posisjon "av".
 - d. **Fjern innstillingsverktøy eller skrunøkler før du slår på elektroverktøyet.** Et verktøy eller en nøkkel som befinner seg i en roterende del, kan forårsake personskade.
 - e. **Ikke strekk deg for langt. Pass på at du alltid har sikkert fotfeste og god balanse.** Da kan du kontrollere elektroverktøyet bedre i uventede situasjoner.
 - f. **Bruk alltid egnede klær. Ikke bruk løstsittende klær eller smykker. Hold hår, klær og hansker unna bevegelige deler.** Løstsittende klær, smykker eller langt hår kan komme inn i bevegelige deler.
 - g. **Hvis det kan monteres støvavsug- og oppsamlingsinnretninger, må du forvise deg om at disse er tilkoblet og brukes på riktig måte.** Bruk av disse innretningene reduserer faren i forbindelse med støv.
4. **Aktsom håndtering og bruk av elektroverktøy**
 - a. **Ikke bruk makt på elektroverktøyet. Bruk et elektroverktøy som er beregnet på den type arbeid du vil utføre.** Med et passende elektroverktøy arbeider du bedre og sikrere i det angitte effektområdet.

- b. **Ikke bruk elektroverktøy med defekt strømbryter.** Et elektroverktøy som ikke kan kontrolleres med bryteren, er farlig og må repareres.
- c. **Trekk støpselet ut av stikkontakten og/eller koble fra batteripakken på elektroverktøyet før du utfører innstillinger, skifter tilbehørsdeler eller legger elektroverktøyet bort.** Disse forebyggende sikkerhetstiltakene reduserer risikoen for utilsikket start av elektroverktøyet.
- d. **Elektroverktøy som ikke er i bruk, må oppbevares utilgjengelig for barn. Ikke la verktøyet brukes av personer som ikke er fortrolig med det, eller som ikke har lest denne bruksanvisningen.** Elektroverktøy er farlige når de brukes av uerfarne personer.
- e. **Vær nøye med vedlikehold av elektroverktøy. Kontroller at bevegelige deler fungerer feilfritt og ikke klemmes fast, om deler er brukket eller skadet, og andre forhold som kan innvirke på elektroverktøyets funksjon. Hvis elektroverktøyet er skadet, må det repareres før bruk.** Dårlig vedlikeholdte elektroverktøy er årsaken til mange uhell.
- f. **Hold skjæreverktøy skarpe og rene.** Godt vedlikeholdte skjæreverktøy med skarpe egger setter seg ikke så ofte fast og er lettere å føre.
- g. **Bruk elektroverktøy, tilbehør, bits osv. i henhold til disse instruksjonene. Ta hensyn til arbeidsforholdene og arbeidet som skal utføres.** Bruk av elektroverktøy til andre formål enn det som er angitt, kan føre til farlige situasjoner.
5. **Aktsom håndtering og bruk av batteriet**
- a. **Gjenoppladingen skal bare skje med den laderen som produsenten har spesifisert.** En lader som er egnet til én type batteripakke, kan føre til brannrisiko når den brukes med en annen batteripakke.
- b. **Bruk elektroverktøy bare med spesifiserte batteripakker.** Bruk av andre batteripakker kan føre til fare for personskader og brann.
- c. **Når batteripakken ikke er i bruk, må du oppbevare den atskilt fra andre metallgjenstander som binders, mynter, nøkler, spiker, skruer eller andre små metallgjenstander som kan opprette en forbindelse fra en terminal til en annen.** Dersom batteriets terminaler kortsluttes med hverandre, kan det oppstå forbrenning eller brann.
- d. **Under forhold med feil stell kan det lekke væske fra batteriet; unngå å komme i berøring med det. Dersom du ved et uhell berører batteriet, må du skylle med vann. Får du batterivæske i øynene, må du i tillegg oppsøke lege.** Væske som lekker fra batteriet, kan forårsake irritasjoner eller forbrenninger.

6. Service

- a. **Elektroverktøy skal alltid repareres av kvalifisert personell og kun med originale reservedeler.** Dette sikrer at elektroverktøyets sikkerhet opprettholdes.

Ytterligere sikkerhetsadvarsler for elektroverktøy



Advarsel! Ytterligere sikkerhetsadvarsler for batteridrevne drillere og slagdrillere.

- ◆ **Bruk hørselvern når du bruker slagdrill.** Hvis du utsettes for støy, kan det skade hørselen.
- ◆ **Bruk hjelpehåndtak som følger ned verktøyet.** Tap av kontroll kan føre til personskade.
- ◆ **Hold elektroverktøyet i de isolerte grepene når du utfører et arbeid der borelåsen kan komme i kontakt med skjulte ledninger eller sin egen kabel.** Hvis borelåsen kommer i kontakt med en strømførende ledning, kan det føre til at frittliggende metalldele på elektroverktøyet blir strømførende, og brukeren kan få støt.
- ◆ **Bruk klemmer eller andre praktiske metoder for å spenne fast og støtte arbeidsstykket på en stabil plattform.** Holdes arbeidsstykket med hånden eller inn mot kroppen, vil det være ustabil og lett føre til at du mister kontrollen.
- ◆ **Før du borer hull eller setter inn skruer i vegger, gulv eller tak, kontrollerer du plasseringen av kabler og rør.**
- ◆ **Det er ikke meningen at dette verktøyet skal brukes av personer (inkludert barn) med reduserte fysiske, sansemessige eller mentale evner, eller som mangler erfaring og kunnskap, med mindre de har fått oppfølging eller instruksjon når det gjelder bruken av apparatet, fra en person som er ansvarlig for deres sikkerhet.** Barn skal være under oppsyn så det sikres at de ikke leker med apparatet.
- ◆ **Tiltent bruk er beskrevet i denne håndboken.** Bruk av tilbehør eller utføring av oppgaver som ikke er anbefalt for verktøyet i denne håndboken, kan medføre fare for personskade og/eller skade på eiendom.

Vibrasjon

Vibrasjonsemissjonsverdien som er angitt under tekniske data og samsvarserklæring, er blitt målt i henhold til en standard testmetode som er angitt i EN 60745, og kan brukes til å sammenligne et verktøy med et annet. Den oppgitte vibrasjonsemissjonsverdien kan også brukes til en foreløpig vurdering av eksponering.

Advarsel! Vibrasjonsemissjonsverdien under faktisk bruk av elektroverktøyet kan avvike fra den oppgitte verdien avhengig av måten verktøyet blir brukt på. Vibrasjonsnivået kan øke over nivået som er oppgitt.

Når man vurderer vibrasjonseksponering for å bestemme sikkerhetstiltak som kreves i 2002/44/EF for å beskytte personer som bruker elektroverktøy regelmessig i arbeidet, skal man når man anslår vibrasjonseksponeringen, ta hensyn til de faktiske bruksforholdene og måten verktøyet blir brukt på, inkludert hensyn til alle deler av brukssyklusen – også de gangene verktøyet slås av og når det går på tomgang, i tillegg til tiden utløseren er inne.

Merking på verktøyets



Advarsel! Brukeren må lese håndboken for å redusere risikoen for skade.

Ytterligere sikkerhetsinstruksjoner for batterier og ladere

Batterier

- ◆ Forsøk ikke å åpne uansett hvilket formål du måtte ha.
- ◆ Ikke utsett batteriet for vann.
- ◆ Ikke utsett batteriet for varme.
- ◆ Oppbevar ikke på steder der temperaturen kan overskride 40 °C.
- ◆ Lad bare ved temperaturer mellom 10°C og 40°C.
- ◆ Bruk bare laderen som følger med apparatet.
- ◆ Følg instruksene som finnes i avsnittet "Miljø" når du skal kaste batterier.

Ladere

- ◆ Bruk Black & Decker-laderen bare til å lade batteriet som laderen ble levert sammen med. Andre batterier kan sprekke og føre til personskade.
- ◆ Prøv aldri å lade ikke-oppladbare batterier.
- ◆ Skift ut defekte ledninger umiddelbart.
- ◆ Ikke utsett laderen for vann.
- ◆ Ikke åpne laderen.
- ◆ Ikke stikk gjenstander eller fingre ned i laderen.



Laderen er bare tiltenkt for bruk innendørs.



Les denne håndboken før bruk.



Laderen slår seg av automatisk hvis temperaturen i omgivelsene blir for høy. Når temperaturen i omgivelsene er gått ned, fortsetter laderen å virke.



Lad bare ved omgivelsestemperaturer mellom 10 °C og 40 °C.



Ladning.

Elektrisk sikkerhet



Denne laderen er dobbeltisolert. Jording er derfor ikke nødvendig. Kontroller alltid at strømforsyningen er i overensstemmelse med spenningen på typeskiltet.

- ◆ Hvis strømfledningen blir skadet, må den skiftes av produsenten eller et autorisert Black & Decker-servicesenter for å unngå fare.

Funksjoner

1. Nøkkelfri borelås
2. Momentjusteringsmansjett (VPX1212)
3. Hastighetsvelger
4. Fremover/bakover og låseknapp
5. Batteriutløserknapp (på batteri)
6. Batterirom
7. Utløser for variabel hastighet
8. Momentjusteringsmansjett (VPX1222)

Figur A

14. Indikatorer for svakt batteri

Montering

Sette inn batteripakken (figur A)

Advarsel! Pass på at låseknappen (4) er i bruk for å hindre utilsiktet aktivering av bryteren før du tar ut eller setter inn et batteri.

- ◆ Sett inn metallterminalenden av batteripakken (9) inn i batterirommet (6) til du hører låsen klikke på plass og VPX™-logoen vises gjennom vinduet.

Advarsel! Batteriet kan settes inn bare en vei, så det må ikke tvinges på plass. Hvis batteriet ikke passer, tar du det ut og setter det inn den andre veien.

Ta ut batteripakken (figur A)

- ◆ Trykk på utløserknappen (5) for batteripakken, og trekk batteripakken (9) bestemt ut av batterirommet (6).

Lade batteriene (figur B)

Advarsel! Ikke lad batteripakker hvis temperaturen i omgivelsene er under 10 °C eller over 40 °C.

Merknad: Laderen vil ikke lade en batteripakke hvis celledemperaturen er under ca. 0 °C eller over 60 °C. Batteripakken bør stå i laderen, og laderen begynner å lade automatisk når celledemperaturen blir høyere eller lavere.

- ◆ Plugg i laderen (10) og slå på nettstrømmen.
- ◆ Sett batteripakken (9) inn i laderen. Pass på at batteripakken sitter helt inne i laderen (10).
- ◆ Ladningsindikatoren (11) blinker kontinuerlig (langsomt).
- ◆ La batteriet bli ladet minst 5 til 6 timer.

- ◆ Ladningen er fullført når laddningsindikatoren (11) lyser kontinuerlig.
- ◆ Laderen og batteripakken kan være tilkoblet så lenge du vil mens LED-lampen lyser. LED-lampen begynner å blinke (lader) når laderen av og til "fyller på" batteriladningen.
- ◆ Laddningsindikatoren (11) vil lyse så lenge batteripakken er tilkoblet den strømførende laderen.
- ◆ Lad utladete batterier innen en uke. Batterienes levetid vil bli mye mindre hvis de oppbevares utladet.

Laddningsindikatorer

Hvis laderen oppdager et problem med en batteripakke, blinker laddningsindikatoren (11) raskt.

- ◆ Hvis dette skjer, setter du inn igjen batteripakken (9).
- ◆ Hvis problemet vedvarer, setter du en annen batteripakke i laderen for å sjekke at laderen er ok.
- ◆ Hvis den nye batteripakken lades korrekt, er den opprinnelige batteripakken defekt og bør leveres til et servicesenter for resirkulering.
- ◆ Hvis den nye batteripakken gir samme indikasjon som den opprinnelige, bringer du laderen til et autorisert servicesenter for testing.

Merknad: Det kan ta så mye som femten minutter å avgjøre om en pakke er defekt.

Hvis batteripakken er for varm eller for kald, blinker LED-lampen alternativt raskt og langsomt, ett blink ved hver hastighet med gjentakelse.

Batteriladere – kjedekobling (figur C)

Ladere med enkel og dobbel port kan kobles elektrisk i hvilken som helst rekkefølge opp til maksimalt fire ladere. Hver lader har en ledning for strøm inn (12) som settes i den elektriske kontakten, og en ledning for strøm ut (13) som settes i den neste laderen.

Slik kobler du ladere i kjede:

- ◆ Plugg strømledningen (12) inn i en elektrisk kontakt.
- ◆ Fjern ledningen for strøm inn fra den neste laderen, og plugg inn ledningen for strøm ut (13) fra laderen som nå er pluggert i stikkkontakten.
- ◆ Gjenta denne prosessen for de gjenværende laderne.

Ladere som er kjedekoblet, virker uavhengig som om hver av dem var pluggert i en separat kontakt. Derfor kan et batteri hvor som helst i kjeden uten at de andre laderne blir berørt.

Bruk

Start og stopp (figur D og E)

- ◆ Trykk på utløseren for variabel hastighet (7) for å slå verktøyet på.
- ◆ Slipp utløseren for variabel hastighet (7) for å slå verktøyet av.

- ◆ En kontrollknapp (4) for fremover/bakover bestemmer retningen på verktøyet og tjener også som låseknapp.
- ◆ Når du velger rotasjon fremover, slipper du utløseren for variabel hastighet (7) og beveger kontrollknappen for fremover/bakover (4) til venstre, sett fremover.
- ◆ Når du velger rotasjon bakover, beveger du kontrollknappen (4) i motsatt retning.
- ◆ I midtposisjonen låser kontrollknappen (4) verktøyet i av-positisjon. Pass på at utløseren for variabel hastighet (7) er i utløst før du endrer posisjon for kontrollknappen (4) for fremover/bakover.
- ◆ Hvis du ikke får slått på verktøyet, kontrollerer du om en av de to VPX™-batteripakkene er tomme. Se delen "LED-lamper for batteri" nedenfor.

LED-lamper for batteri

Dette produktet er utstyrt med elektronikk som slår av strømmen når en av batteripakkene er tom. Hvis verktøyet stanser brått, kan en av batteripakkene være tom. En LED-lampe (14) bak på håndtaket til verktøyet viser hvilken batteripakke som er tom.

Hvis LED-lampeindikatoren (14) skal tennes, klemmer du på utløseren for variabel hastighet (7). Du sikrer maksimal driftstid ved å ta ut begge batteripakkene og sette dem i en lader. Det finnes to batteriindikatorer bak på verktøyet over batteriene. Hvis batteriene blir svake mens du bruker apparatet, kan du avgjøre hvilket batteri som må lades.

Slik kontrollerer du batteristatus:

- ◆ Trykk på utløseren, og se hvilken LED-lampe som lyser.
- ◆ Ta ut batteripakken som svarer til den LED-lampen som lyser.

Momentkontroll (figur D og E)

Verktøyet er utstyrt med en mansjett (2 eller 8) med 24 posisjoner for å velge hastighet, aktivere pendelblad og stille inn moment for å skru til skruer. Store skruer og arbeidsstykker i harde materialer krever høyere moment enn små skruer og arbeidsstykker med bløte materialer.

- ◆ For boring i tre, metall og plast stilles mansjettens stilling med boresymbolet.
- ◆ Når apparatet brukes som skrutrekker, settes mansjettens i ønsket stilling. Hvis du ikke vet hva som er riktig innstilling, går du frem slik:
- ◆ Sett mansjettens i stillingen for laveste moment.
- ◆ Skru til den første skruen.
- ◆ Hvis koblingen lager en klikkelyd før du oppnår ønsket resultat, øker du innstillingen av mansjettens og fortsetter å stramme skruen. Gjenta til du når korrekt innstilling. Bruk denne innstillingen for de gjenværende skruene.

Slagfunksjon (bare VPX1222)

Drillen har slagfunksjon:

- ◆ For boring i mur setter du mansjetten i stillingen **T**.

Velger for høy/lav hastighet (figur D og E)

Funksjonen for to hastigheter gjør drillen mer anvendelig.

- ◆ Når du skal velge lav hastighet og høyt moment (stilling 1), skruv du verktøyet av og venter til det stopper. Skyv hastighetsvelgeren (3) bakover.
- ◆ Når du skal velge høy hastighet og lavt moment (stilling 2), skruv du verktøyet av og venter til det stopper. Skyv hastighetsvelgeren (3) fremover.

Advarsel! Ikke beveg hastighetsvelgeren når verktøyet er slått på.

Nøkkelfri borelås (figur E)

Slik setter du inn et bor eller annet tilbehør:

- ◆ Hold borelåsen (1), og dreid den mot klokken sett fra enden av borelåsen.
- ◆ Sett bor eller annet tilbehør helt inn i borelåsen, og stram godt ved å vri borelåsen (1) med klokken.

Advarsel! Ikke prøv å stramme bor (elle annet tilbehør) ved å holde borelåsen og skru verktøyet på, for borelåsen eller personen kan bli skadet.

Sette inn skruer

- ◆ Når du setter inn skruer, skal knappen (4) for fremover/bakover være skjøvet til venstre.

Skyv knappen (4) for fremover/bakover til høyre når du skal ta ut skruer.

Bore

- ◆ Bruk bare skarpe bor.
- ◆ Støtt og sikre arbeidsstykket godt.
- ◆ Kjør drillen svært langsomt, og anvend svakt trykk til hullet er påbegynt.
- ◆ Trykk i rett linje med boret. Bruk nok trykk til at boret biter, men ikke så mye at motoren stanser eller at boret skifter retning.
- ◆ Hold drillen fast med begge hender for å kontrollere vridningen.
- ◆ Ikke klikk med bryteren på en fastkjørt drill i et forsøk på å starte den. Drillen kan bli skadet.
- ◆ Reduser blokkering til et minimum ved gjennombrudd ved å redusere trykket og bore langsomt gjennom den siste delen av hullet.
- ◆ Hold motoren i gang mens du trekker boret ut av det borede hullet. Dette vil bidra til å redusere fastkjøring.

- ◆ For driller med variabel hastighet er det ikke behov for å lage hakk for sentrum i hullet som skal bores. Bruk lav hastighet når du begynner på hullet, og akselerer ved å klemme hardere på utløseren når hullet er dypt nok til at du kan bore uten at boret hopper ut. Kjør med full hastighet når hullet er påbegynt.

Bore i tre

Hull i tre kan bores med de samme spiralborene som brukes til metall, eller med flate bor. Disse borene bør være skarpe og bør trekkes ut ofte under boringen så spon kan fjernes fra furene i boret.

Bore i metall

Bruk et skjæresmøremiddel når du borer i metall. Unntakene er støpejern og messing som skal bores tørt. Smøremidlene som virker best, er svovelholdig skjæreoilje eller fettolje.

Bore i mur (bare VPX1222)

Bruk murbor med karbidtupp. Se i delen "Bore". Anvend jevn kraft på drillen, men ikke så mye at du knekker det sprø materialet. En glatt, jevn strøm av støv viser at borehastigheten er riktig.

Vedlikehold

Black & Decker-verktøyet ditt er konstruert for å være i drift over lengre tid med et minimum av vedlikehold. Det er avhengig av godt vedlikehold og regelmessig rengjøring for å fungere som det skal til enhver tid.

Laderen krever ikke annet vedlikehold enn regelmessig rengjøring.

Advarsel! Før du utfører vedlikehold på verktøyet, må du fjerne batteriet fra verktøyet. Fjern laderen fra stikkontakten før du rengjør den.

- ◆ Rengjør ventilasjonsåpningene i verktøyet og laderen jevnlig med en myk børste eller tørr klut.
- ◆ Rengjør motorhuset jevnlig med en fuktig klut. Ikke bruk slipende eller løsemiddelbaserte rengjøringsmidler.
- ◆ Åpne borelåsen regelmessig, og bank på den for å fjerne eventuelt støv fra innsiden.

Miljø



Separat fjerning. Dette produktet må ikke kastes sammen med husholdningsavfall.

Når Black & Decker-produktet er utslitt, skal det ikke kastes som husholdningsavfall. Dette produktet må kastes separat.



Hvis brukte produkter og emballasje leveres atskilt, kan materialer resirkuleres og brukes på nytt. Resirkulering av brukte produkter gir redusert miljøforurensning og mindre behov for råmaterialer.

Det kan være lokale bestemmelser for egen innsamling av elektriske produkter fra husstander, på kommunale avfallsplasser eller hos forhandleren når du kjøper et nytt produkt.

Black & Decker tar i mot brukte Black & Decker-produkter for resirkulering. Du kan levere produktet til et autorisert serviceverksted.

For informasjon om nærmeste autoriserte serviceverksted, kontakt ditt lokale Black & Decker-kontor på den adressen som er angitt i bruksanvisningen. Det finnes også en liste over autoriserte Black & Decker-serviceverksteder og opplysninger om ettersalgsservice og kontakter på Internett: www.2helpU.com.

Batterier



Black & Decker-batterier kan lades opp mange ganger. Tenk på miljøet når batteriene er tomme og du skal kaste dem.

- ◆ La batteriet gå helt tomt og fjern det så fra verktøyet.
- ◆ Litiumionebatterier kan resirkuleres. Ta dem til et autorisert serviceverksted eller til nærmeste spesialavfallsstasjon.

Tekniske data

	VPX1212	VPX1222
Spenning	Vdc 14	14
Dreiemoment ut (maks.)	Nm 23	23
Hastighet ubelastet	rpm 0-350	0-350
	0-1200	0-1200
Maks. borekapasitet		
Stål	mm 10	10
Betong	mm Uaktuelt	10
Tre	mm 25	25
Vekt	kg 1,4	1,47
Lader	type dobbel port	dobbel port
Batteri	type 2 VPX™- batteri- pakker	2 VPX™- batteri- pakker

Samsvarserklæring for EU

VPX1212 VPX1222

Black & Decker erklærer at disse produktene overholder:
98/37/EF, EN 60745

Lydtrykknivå i henhold til EN60745:

Lydtrykk (L_{pA}) 69,86 dB(A), usikkerhet (K) 3 dB(A)

Akustisk effekt (L_{WA}) 80,86 dB(A), usikkerhet (K) 3 dB(A)

Totale vibrasjonsverdier (vektorsum fra tre retninger)
bestemt i samsvar med EN 60745:

Bruk som skrutrekker uten slag (a_{rh}) = 0,869 m/s²,
usikkerhet (K) = 1,5 m/s²

Boring i metall (a_{rh}) = 0,628 m/s², usikkerhet (K) = 1,5 m/s²

Boring med slag i betong (a_{rh}) = 6,642 m/s²,
usikkerhet (K) = 1,5 m/s²

Undertegnede er ansvarlig for utarbeidelsen av den tekniske dokumentasjonen og gir denne erklæringen på vegne av
Black & Decker.

Kevin Hewitt
Direktør for forbrukerteknikk
Spennymoor, County Durham DL16 6JG,
Storbritannia
14.10.2007

Garanti

Black & Decker er trygg på kvaliteten til sine produkter og tilbyr en enestående garanti. Denne garantierklæringen kommer i tillegg til dine lovbestemte rettigheter, og er ikke i konflikt med disse. Garantien er gyldig i EU- og EFTA-medlemsstatene.

Hvis et Black & Decker-produkt går i stykker på grunn av material- og/eller fabrikkasjonsfeil eller har mangler i forhold til spesifikasjonene, innen 24 måneder fra kjøpet, påtar Black & Decker seg å skifte ut defekte deler, reparere produkter som har vært utsatt for alminnelig slitasje, eller bytte ut slike produkter med minst mulig vanskelighet for kunden, med mindre:

- ◆ produktet har vært brukt i yrkes-/næringsvirksomhet eller til utleie.
- ◆ produktet har vært utsatt for feilaktig bruk eller mislighold.
- ◆ produktet har blitt skadet av fremmede gjenstander eller stoffer eller ved et uhell.
- ◆ reparasjoner er forsøkt utført av andre enn autoriserte serviceverksteder eller Black & Deckers serviceteknikere.

NORSK

For å ta garantien i bruk skal produktet og kjøpekvittering leveres til forhandleren eller til et autorisert serviceverksted. For informasjon om nærmeste autoriserte serviceverksted, kontakt ditt lokale Black & Decker-kontor på den adressen som er angitt i bruksanvisningen. En oversikt over autoriserte serviceverksteder og opplysninger om ettersalgsservice og kontakter er også tilgjengelig på Internett: **www.2helpU.com**

Besøk vårt webområde **www.blackanddecker.no** for å registrere ditt nye Black & Decker-produkt og for å holde deg oppdatert om nye produkter og spesialtilbud. Du finner mer informasjon om Black & Decker og produktutvalget vårt på **www.blackanddecker.no**.

Anvendelsesområde

Din ledningsfri Black & Decker bore/skruemaskine er designet til boring i træ, metal og plastic samt til skrueopgaver. Den ledningsfri VPX1222 bore/skruemaskine er også designet til boring i bløde mure. Værktøjet er kun beregnet til privat brug.

Sikkerhedsvejledninger

Generelle sikkerhedsadvarsler for elværktøj



Advarsel! Læs alle sikkerhedsadvarsler og instruktioner. Hvis ikke alle instruktioner følges, kan der opstå risiko for elektrisk stød, brand og/eller alvorlige personskader.

Gem alle advarsler og instruktioner til senere brug.

1. Begrebet "elværktøj", der benyttes i nedenstående advarsler, henviser til netdrevne (med netledning) eller batteridrevne maskiner (uden netledning).
1. **Sikkerhed i arbejdsområdet**
 - a. **Sørg for, at arbejdsområdet er rent og ordentligt oplyst.** Uordentlige og uoplyste arbejdsområder øger faren for uheld.
 - b. **Brug ikke elværktøj i eksplosionstruede omgivelser, f.eks. hvor der er brændbare væsker, gasser eller støv.** Elværktøj kan slå gnister, der kan antænde støv eller dampe.
 - c. **Sørg for, at børn og andre personer holder sig på afstand, når elværktøjet er i brug.** Hvis man distraheres, kan man miste kontrollen over maskinen.
2. **Elektricitet og sikkerhed**
 - a. **Elværktøjsstik skal passe til stikkontakten. Stikket må under ingen omstændigheder ændres. Brug ikke adapterstik sammen med jordforbundet elværktøj.** Uændrede stik, der passer til stikkontakterne, nedsætter risikoen for elektrisk stød.
 - b. **Undgå kropskontakt med jordforbundne overflader som f.eks. rør, radiatorer, komfurer og køleskabe.** Hvis din krop er jordforbundet, øges risikoen for elektrisk stød.
 - c. **Elværktøj må ikke udsættes for regn eller fugt.** Indtrængen af vand i elværktøj øger risikoen for elektrisk stød.
 - d. **Undgå at ødelægge ledningen. Undgå at bære, trække eller afbryde elværktøjet ved at rykke i ledningen. Beskyt ledningen mod varme, olie, skarpe kanter eller maskindele, der er i bevægelse.** Beskadede eller indviklede ledninger øger risikoen for elektrisk stød.
- e. **Hvis elværktøj benyttes i det fri, skal der benyttes en forlængerledning, som er godkendt til udendørs brug.** Brug af en forlængerledning til udendørs brug nedsætter risikoen for elektrisk stød.
- f. **Brug en strømkilde med fejlstrømsbeskyttelse, hvis det er uundgåeligt at anvende elværktøj på fugtige steder.** Med en fejlstrømsbeskyttelse reduceres risikoen for elektrisk stød.
3. **Personlig sikkerhed**
 - a. **Vær opmærksom, hold øje med, hvad du laver, og brug elværktøjet fornuftigt. Man bør ikke bruge maskinen, hvis man er træt, har nydt alkohol eller er påvirket af medicin eller euforiserende stoffer.** få sekunders uopmærksomhed ved brug af elværktøjet kan føre til alvorlige personskader.
 - b. **Brug personlige værnemidler. Brug altid beskyttelsesbriller.** Brug af værnemidler som f.eks. støvmaske, skridsikkert fodtøj, beskyttelseshjelm eller høreværn nedsætter risikoen for personskader, hvis udstyret anvendes korrekt.
 - c. **Sørg for, at værktøjet ikke kan starte utilsigtet. Kontroller, at startknappen ikke er aktiveret, inden apparatet tilsluttes strømkilden og/eller batteriet, samles op eller bæres.** Bæres elværktøj, mens fingeren er på kontakten, eller tilsluttes det, mens kontakten står på tændt, kan der nemt ske en ulykke.
 - d. **Fjern indstillingsværktøj eller skruenøgle, inden elværktøjet tændes.** Et værktøj eller en nøgle, der efterlades i en roterende del i elværktøjet, kan resultere i personskader.
 - e. **Stræk dig ikke for langt. Sørg for, at du altid har sikkert fodfæste og balance.** Det gør det nemmere at kontrollere elværktøjet, hvis der skulle opstå uventede situationer.
 - f. **Brug egnet arbejdstøj. Undgå løse beklædningsgenstande eller smykker. Hold hår, tøj og handsker væk fra dele, der bevæger sig.** Bevægelige dele kan gribe fat i løstsiddende tøj, smykker eller langt hår.
 - g. **Hvis støvudsugnings- og opsamlingsudstyr kan monteres, er det vigtigt, at dette tilsluttes og benyttes korrekt.** Brug af dette udstyr nedsætter risikoen for personskader som følge af støv.
4. **Brug og vedligeholdelse af elværktøj**
 - a. **Undgå at overbelaste elværktøjet. Brug altid det rette elværktøj til opgaven.** Med det rigtige elværktøj udføres arbejdet lettere og sikrere og i det tempo, som værktøjet er beregnet til.

- b. **Brug ikke elværktøjet, hvis startknappen er defekt.** Elværktøj, der ikke kan reguleres med startknappen, er farligt og skal repareres.
- c. **Træk stikket ud af stikkontakten og/eller batteriet inden indstilling, tilbehørsudskiftning eller opbevaring af elværktøjet.** Disse sikkerhedsforanstaltninger reducerer risikoen for utilsigtet start af værktøjet.
- d. **Opbevar ubenyttet elværktøj uden for børns rækkevidde. Lad aldrig personer, der ikke er fortrolige med elværktøj, eller som ikke har gennemlæst disse instrukser, benytte maskinen.** Elværktøj er farligt, hvis det benyttes af ukundige personer.
- e. **Elværktøj bør vedligeholdes omhyggeligt. Kontroller, om bevægelige dele er skæve eller sidder fast, og om delene er brækket eller beskadiget, så elværktøjets funktion påvirkes. Få beskadigede dele repareret, inden elværktøjet tages i brug.** Mange uheld skyldes dårligt vedligeholdt elværktøj.
- f. **Sørg for, at skæreværktøjer er skarpe og rene.** Omhyggeligt vedligeholdte skæreværktøjer med skarpe skærekanten sætter sig ikke så hurtigt fast og er nemmere at styre.
- g. **Brug elværktøjet, tilbehøret, indsatsværktøj osv. i overensstemmelse med disse instruktioner under hensyntagen til arbejdsforholdene og arbejdet, der skal udføres med værktøjet.** I tilfælde af anvendelse af elværktøjet til formål, som ligger uden for det fastsatte anvendelsesområde, kan der opstå farlige situationer.
5. **Brug og vedligeholdelse af batteridrevet værktøj**
- a. **Genoplad kun med den lader, som producenten har angivet.** En lader, der er velegnet til én type batteripakke, kan udgøre en brandfare, hvis den bruges til en anden batteripakke.
- b. **Brug kun elværktøj sammen med batteripakker, der er specifikt beregnet hertil.** Brugen af andre batteripakker kan medføre personske og brand.
- c. **Når batteripakken ikke er i brug, skal den holdes væk fra andre metalgenstande, f.eks. papirclips, mønter, nøgler, søm, skruer og andre små metalgenstande, som kan skabe forbindelse mellem de to poler.** Kortslutning af batteriet kan forårsage forbrændinger eller brand.
- d. **I visse situationer kan batteriet lække. Undgå kontakt. Skyl med vand i tilfælde af uheld. Søg læge, hvis væsken kommer i kontakt med øjnene.** Væske, der lækker fra batteriet, kan forårsage irritation eller forbrændinger.

6. Service

- a. **Sørg for, at elværktøjet kun repareres af kvalificerede fagfolk, og at der kun benyttes originale reservedele.** Dermed opretholdes elværktøjets sikkerhed.

Yderligere sikkerhedsadvarsler for elværktøj



Advarsel! Yderligere sikkerhedsadvarsler for boremaskiner uden ledning og slagboremaskiner.

- ♦ **Bær høreværn ved slagboring.** Støj kan forårsage høretab.
- ♦ **Brug de ekstra håndtag, der følger med værktøjet.** Det kan medføre personske, hvis kontrollen over værktøjet mistes.
- ♦ **Hold på elværktøjets isolerede gribeblader, hvis der er risiko for, at beslaget kommer i kontakt med skjulte ledninger eller værktøjets egen ledning.** Beslag, der kommer i kontakt med en strømførende ledning, kan gøre elværktøjets uisolerede dele strømførende, så brugeren får stød.
- ♦ **Brug skruetvinger eller lignende til at holde og støtte materialet på en stabil platform.** Det er ikke nok at holde materialet tæt til kroppen. Materialet kan komme ud af kontrol.
- ♦ **Kontroller placeringen af ledninger og rør, inden der bores i vægge, gulve eller lofter.**
- ♦ **Dette værktøj er ikke beregnet til at blive brugt af personer (herunder børn) med nedsatte fysiske, sensoriske eller mentale evner eller manglende erfaring og viden, med mindre det sker under overvågning, eller der gives instruktion i brugen af værktøjet af en person, der er ansvarlig for deres sikkerhed.** Børn skal holdes under opsyn, så det sikres, at de ikke leger med værktøjet.
- ♦ **Apparatets påtænkte anvendelse fremgår af vejledningen.** Brugen af ekstraudstyr eller tilbehør eller udførelse af opgaver med værktøjet ud over de i brugervejledningen anbefalede kan medføre risiko for personske og/eller materiel skade.

Vibration

De angivne værdier for udsendelse af vibration opført under de tekniske data og overensstemmelseserklæringen er målt i henhold til standardtestmetoden anført i EN 60745 og kan bruges til at sammenligne ét værktøj med et andet. Den angivne værdi for udsendelse af vibration kan også bruges som en foreløbig vurdering af eksponeringen.

Advarsel! Værdien for udsendelse af vibration ved faktisk brug af elværktøjet kan adskille sig fra den angivne værdi

afhængigt af måden, værktøjet anvendes på.
Vibrationsniveauet kan overstige det angivne niveau.

I vurderingen af eksponeringen til vibration med henblik på fastsættelse af sikkerhedsforanstaltninger forlangt i 2002/44/EC for at beskytte personer, der jævnligt anvender elværktøj i deres arbejde, skal der tages hensyn til de faktiske betingelser under brugen, og måden værktøjet bruges på, herunder alle arbejdscyklusens elementer, f.eks. perioder, hvor værktøjet er slukket og kører i tomgang tillige med startperioderne.

Mærkater på værktøjet



Advarsel! Brugeren skal læse brugervejledningen for at reducere risikoen for skader.

Yderligere sikkerhedsvejledninger for batterier og ladere

Batterier

- ◆ Forsøg aldrig at åbne uanset årsag.
- ◆ Batteriet må ikke udsættes for fugt.
- ◆ Batteriet må ikke udsættes for varme.
- ◆ Opbevar ikke på steder, hvor temperaturen kan overstige 40° C.
- ◆ Fortag kun opladning ved omgivelsestemperaturer mellem 10° C og 40° C.
- ◆ Oplad kun ved hjælp af den medfølgende lader.
- ◆ Følg ved bortskaffelse af batterier vejledningen i afsnittet "Miljø".

Ladere

- ◆ Brug kun din Black & Decker-lader til at oplade det batteri, som den blev leveret sammen med. Andre batterier kan sprænges og forårsage personskade og materielle skader.
- ◆ Prøv aldrig på at oplade ikke-opladelige batterier.
- ◆ Udskift straks defekte ledninger.
- ◆ Laderen må ikke udsættes for fugt.
- ◆ Laderen må ikke åbnes.
- ◆ Undersøg ikke laderen.



Laderen er kun beregnet til indendørs brug.
Læs brugervejledningen, før værktøjet tages i brug.



Laderen slår automatisk fra, hvis omgivelsestemperaturen bliver for høj. Laderen slås til igen, så snart omgivelsestemperaturen er faldet.



Fortag kun opladning ved omgivelsestemperaturer mellem 10° C og 40° C.



Oplader.

Elektricitet og sikkerhed



Laderen er dobbelt isoleret. Derfor er jordledning ikke nødvendig. Kontroller altid, at strømforsyningen svarer til spændingen på typeskiltet.

- ◆ Hvis netledningen beskadiges, skal den udskiftes af producenten eller et autoriseret Black & Decker-værksted, så farlige situationer undgås.

Funktioner

1. Nøglefri patron
2. Momentjusteringsring (VPX1212)
3. Kontakt til valg af hastighed
4. Retningsomskifter- og låseknop
5. Batteriudløserknop (på batteri)
6. Batterikammer
7. Startknop med variabel hastighed
8. Momentjusteringsring (VPX1222)

Fig. A

14. Indikatorer, der viser lav batterispænding

Montering

Isætning af batteripakke (fig. A)

Advarsel! Kontroller, at låseknappen (4) er aktiveret, for at forhindre utilsigtet aktivering af startknappen inden afmontering eller isætning af et batteri.

- ◆ Sæt batteripakkens (9) ende med metalpolen i batterikammeret (6), indtil låsen går på plads med et klik, og du kan se VPX™-logoet gennem vinduet.

Advarsel! Batteriet passer kun på én måde, så brug ikke magt. Hvis batteriet ikke passer, skal du tage det ud og isætte det den anden vej.

Afmontering af batteripakke (fig. A)

- ◆ Tryk på batteriudløserknappen (5), og træk batteripakken (9) ud af batterikammeret (6) med et fast greb.

Opladning af batterier (fig. B)

Advarsel! Batteripakker må ikke oplades i omgivelsestemperaturer under 10° C eller over 40° C.

Bemærk: Laderen kan ikke oplade en batteripakke, hvis celledtemperaturen er under ca. 0° C eller over 60° C. Lad batteripakken stå i laderen. Laderen begynder automatisk at lade, når celledtemperaturen er varm eller kold nok.

- ◆ Tilslut laderen (10), og tænd på stikkontakten.
- ◆ Sæt batteripakken (9) i laderen. Kontroller, at batteripakken er sat helt ned i laderen (10).
- ◆ Ladeindikatoren (11) begynder at blinke (langsomt).
- ◆ Lad batteriet stå til opladning i mindst 5-6 timer.
- ◆ Ladningen er afsluttet, når ladeindikatoren (11) lyser konstant.
- ◆ Du kan lade batteripakken sidde i laderen med tændt lysdiode, så længe det ønskes. Laderen "efterfylder" en gang imellem batteriet, hvorved lysdioden skifter til ladetilstand (blinker).
- ◆ Ladeindikatoren (11) lyser, så længe batteripakken er tilsluttet til laderen, der er sat i stikkontakten.
- ◆ Afladene batterier bør oplades inden 1 uge. Batterilevetiden afkortes kraftigt, hvis batteriet opbevares i afladet tilstand.

Ladeindikatorer

Ladeindikatoren (11) blinker hurtigt, hvis laderen registrerer et problem med batteripakken.

- ◆ Hvis det sker, skal du tage batteripakken (9) ud og isætte den igen.
- ◆ Hvis det ikke løser problemet, skal du sætte en anden batteripakke i laderen for at finde ud af, om laderen er i orden.
- ◆ Hvis den nye batteripakke lades korrekt, er den oprindelige batteripakke beskadiget og skal indleveres til genanvendelse på et servicecenter.
- ◆ Hvis den nye batteripakke giver samme fejlvisning som den oprindelige, skal laderen testes på et autoriseret servicecenter.

Bemærk: Det kan tage op til femten minutter at registrere, at batteripakken er beskadiget.

Hvis batteripakken enten er for varm eller for kold, blinker lysdioden skiftevis hurtigt og langsomt med et blink ved hver frekvens, hvorefter sekvensen gentages.

Sammenkædning af batteriladere (fig. C)

Op til 4 ladere med såvel én port som to porte kan forbindes elektrisk i vilkårlig rækkefølge. Hver lader har en indgangsnetledning (12), der sættes i stikkontakten, og en udgangsnetledning (13), som sættes i den næste lader.

Sådan sammenkædes laderne:

- ◆ Sæt indgangsnetledningen (12) i en stikkontakt.
- ◆ Fjern indgangsnetledningen fra den næste lader, og isæt udgangsnetledningen (13) fra den lader, der nu er sat i stikkontakten.

- ◆ Gør det samme for de øvrige ladere.
- Sammenkædede ladere fungerer uafhængigt af hinanden, som om hver af dem var sat i en stikkontakt. Du kan derfor fjerne et batteri fra en af de sammenkædede ladere uden at påvirke de andre ladere.

Anvendelse

Start og stop (fig. D og E)

- ◆ Tænd for værktøjet ved at trykke på startknappen med variabel hastighed (7).
- ◆ Sluk for værktøjet ved at slippe startknappen med variabel hastighed (7).
- ◆ En retningsomskipperknap (4) bestemmer værktøjets arbejdsretning og fungerer også som låseknap.
- ◆ Valg af fremadgående rotation: Slip startknappen med variabel hastighed (7), og skub retningsomskipperknappen (4) til venstre (når apparatet peger fremad).
- ◆ Valg af omvendt retning: Skub retningsomskipperknappen (4) til den anden side.
- ◆ Når omskipperknappen (4) står midt på, er værktøjet låst i slukket tilstand. Sørg for at slippe startknappen med variabel hastighed (7), før retningsomskipperknappen (4) flyttes.
- ◆ Hvis værktøjet ikke tændes, skal du kontrollere, om en af de to VPX™-batteripakker er brugt op. Se afsnittet 'Lysdioder på batteri' nedenfor.

Lysdioder på batteri

Dette produkt indeholder elektronik, som slukker for strømmen, når en af batteripakkerne er brugt op. Hvis værktøjet pludselig stopper, kan en af de to batteripakker være brugt op. En lysdiode (14) bag på værktøjets håndtag angiver, hvilken batteripakke der er brugt op.

Tryk på startknappen med variabel hastighed (7) for at få indikatoren (14) til at lyse. Fjern begge batteripakker, og sæt dem i en lader for at få længst mulig driftstid. Bag på værktøjet oven over batterierne findes to batteriindikatorer. Hvis batteriet bruges op, mens du bruger apparatet, kan du se, hvilket batteri der skal genoplades.

Sådan kontrolleres batteristatus:

- ◆ Tryk på startknappen, og læg mærke til, hvilken lysdiode der lyser.
- ◆ Tag den batteripakke, der svarer til den lysende diode, ud.

Justering af moment (fig. D og E)

Værktøjet er forsynet med en ring (2 eller 8) med 24 positioner, der bruges til at vælge driftstilstanden og indstille momentet ved skruetasker. Store skruer og hårde materialer kræver en højere indstilling af moment end små skruer og bløde materialer.

- ◆ Ved boring i træ, metal og plastic skal ringen indstilles på boresymbolet.
- ◆ Ved skruetasker skal ringen indstilles på den ønskede position. Gå frem på følgende måde, hvis du er usikker på den rigtige position:
- ◆ Indstil ringen på den laveste momentposition.
- ◆ Skru den første skrue i.
- ◆ Hvis det ønskede resultat ikke opnås, skal du øge ringens indstilling og fortsætte med at skru skruen i. Gentag fremgangsmåden, indtil du finder den rigtige indstilling. Brug samme indstilling til de andre skruer.

Slagfunktion (kun VPX1222)

Boremaskinen har slagfunktion:

- ◆ Ved boring i murværk skal momentjusteringsringen indstilles på positionen **T**.

Kontakt til valg af høj/lav hastighed (fig. D og E)

Boremaskinens funktion til hastighedsskift gør værktøjet mere alsidigt.

- ◆ Før du vælger indstillingen med lav hastighed og stort moment (position 1), skal du slukke værktøjet og vente på, at det stopper. Flyt kontakten til valg af hastighed (3) bagud.
- ◆ Før du vælger indstillingen med høj hastighed og lille moment (position 2), skal du slukke værktøjet og vente på, at det stopper. Flyt kontakten til valg af hastighed (3) fremad.

Advarsel! Flyt ikke kontakten til valg af hastighed, mens værktøjet er tændt.

Nøglefri patron (fig. E)

Sådan isættes bor eller andet tilbehør:

- ◆ Hold på patronen (1), og drej den mod uret set fra enden af borepatronen.
- ◆ Sæt boret eller andet tilbehør helt ind i patronen, og fastgør patronen (1) helt ved at dreje den med uret.

Advarsel! Forsøg ikke at stramme bor (eller andet tilbehør) ved at tage fat om patronen og tænde værktøjet. Det kan beskadige patronen og medføre personskaade.

Skruetasker

- ◆ Til skruetasker skal retningsomskifterknappen (4) skubbes til venstre.

Flyt retningsomskifterknappen (4) til højre ved udskruning af skruer.

Boring

- ◆ Brug kun skarpe bor.
- ◆ Understøt og fastgør emnet korrekt.
- ◆ Brug et let tryk til at bore meget langsomt, indtil hullet er dannet.
- ◆ Øg trykket i lige linje med boret. Tryk tilstrækkeligt til, at boret stadig arbejder, men ikke så meget, at motoren bremses, eller boret afbøjes.
- ◆ Hold godt fast i boremaskinen med begge hænder for at modvirke vriddet i den.
- ◆ Brug ikke startknappen til at forsøge at starte en bremset boremaskine. Det kan beskadige boremaskinen.
- ◆ Du kan mindske bremsning ved gennemboring ved at lette trykket og bore langsomt gennem den sidste del af hullet.
- ◆ Lad motoren køre, mens du trækker boret ud af borehullet. Det mindsker risikoen for, at det sidder fast.
- ◆ Med boremaskiner med variabel hastighed er det ikke nødvendigt at kørne det punkt, der skal bores i. Brug lav hastighed til at danne hullet, og øg hastigheden ved at trykke hårdere på startknappen, når hullet er dybt nok til, at der kan bores, uden at boret smutter ud. Kør med fuld hastighed, når hullet er dybt nok.

Boring i træ

Der kan bores huller i træ med samme spiralbor, der bruges til metal, eller med fladbore. Borene skal være skarpe, og de skal hyppigt trækkes ud under boringen for at fjerne spåner fra borespiralen.

Boring i metal

Brug smøremiddel ved boring i metal. Det gælder dog ikke støbejern og messing, som skal tørbores. De smøremidler, der fungerer bedst, er svovlet skæroleolie eller esterolie.

Boring i murværk (kun VPX1222)

Brug murbor med spids af hårdmetal. Se afsnittet "Boring". Hold et jævnt tryk på boremaskinen, men ikke så meget, at skrøbelige materialer revner. Den rigtige borehastighed kendetegnes af en jævn strøm af borestøv.

Vedligeholdelse

Dit Black & Decker-værktøj er beregnet til at være i drift gennem en længere periode med minimal vedligeholdelse. Forsat tilfredsstillende drift afhænger af korrekt behandling af værktøjet samt regelmæssig rengøring.

Laderen kræver ingen vedligeholdelse, men skal rengøres jævnligt.

Advarsel! Tag batteriet ud af værktøjet, inden der foretages vedligeholdelse på værktøjet. Træk laderen ud af stikkontakten, før den rengøres.

- ◆ Rens jævnlgt værktøjets og laderens ventilationshuller med en blød børste eller en tør klud.
- ◆ Rens regelmæssigt motorhuset med en fugtig klud. Der må ikke bruges skuremidler eller opløsningsmidler.
- ◆ Åbn jævnlgt patronen, og bank på den for at fjerne støv indvendigt.

Miljø



Særlig bortskaftelse. Dette produkt må ikke bortskaftes sammen med almindeligt husholdningsaffald.

Når dit Black & Decker-produkt en dag er udtjent, eller du ikke længere har brug for det, må du ikke smide det ud sammen med det almindelige affald. Produktet skal bortskaftes særskilt.



Ved adskilt bortskaftelse af brugte produkter og emballage bliver der mulighed for at genanvende forskellige stoffer. Genanvendelse af stoffer medvirker til at forebygge miljøforurening og mindsker behovet for råstoffer.

Lokal lovgivning kan kræve separat indsamling af elprodukter fra husholdningen, ved kommunale affaldsdepoter eller af den detailhandlende ved køb af et nyt produkt.

Black & Decker sørger for at indsamle og genanvende Black & Decker-produkter, når disse ikke længere kan bruges. Hvis du vil benytte dig af denne service, skal du returnere produktet til et autoriseret værksted, der indsamler produkterne for os.

Kontakt det lokale Black & Decker-kontor på den adresse, som er opgivet i denne vejledning, for at få oplysninger om det nærmeste autoriserede værksted. En liste over alle autoriserede Black & Decker-serviceværksteder samt servicevilkår og kontaktpersoner er tilgængelig på internettet på adressen: www.2helpu.com.

Batterier



Black & Decker-batterier kan genoplades mange gange. Når batterier er udtjente, skal de bortskaftes under passende hensyntagen til miljøet:

- ◆ Kør batteriet helt tomt, og tag det derefter ud af værktøjet.
- ◆ Litiumionbatterier kan genanvendes. Aflever dem på et autoriseret værksted eller en lokal genbrugsstation.

Tekniske data

	VPX1212	VPX1222
Spænding	Vdc 14	14
Maks. moment	Nm 23	23
Hastighed uden belastning	o/min. 0-350 0-1200	0-350 0-1200
Maks. borekapacitet		
Stål	mm 10	10
Beton	mm Ikke	10
	tilgængelig	
Træ	mm 25	25
Vægt	kg 1,4	1,47
Lader	type to porte	to porte
Batteri	type 2 VPX™- batteri- pakker	2 VPX™- batteri- pakker

EU overensstemmelseserklæring

VPX1212 VPX1222

Black & Decker erklærer, at disse produkter er i overensstemmelse med følgende:
98/37/EF, EN 60745

Lydtrykniveau i henhold til EN 60745:

Lydtryk (L_{pA}) 69,86 dB(A), usikkerhed (K) 3 dB(A)

Akustisk effekt (L_{WA}) 80,86 dB(A), usikkerhed (K) 3 dB(A)

Samlede værdier for vibration (triaksial vektorsum) i henhold til EN 60745:

Skrueopgaver uden slag (a_{ah}) = 0,869 m/s²,
usikkerhed (K) = 1,5 m/s²

Boring i metal (a_{ah}) = 0,628 m/s², usikkerhed (K) = 1,5 m/s²

Slagboring i beton (a_{ah}) = 6,642 m/s²,
usikkerhed (K) = 1,5 m/s²

Undertegnede er ansvarlig for udarbejdelse af den tekniske fil og foretager denne erklæring på Black & Deckers vegne

Kevin Hewitt

Director of Consumer Engineering
Spennymoor, County Durham DL16 6JG,

Storbritannien

14-10-2007

Garanti

Black & Decker garanterer, at produktet er fri for materielle skader og/eller fabrikationsfejl ved levering til kunden.

Garantien er et tillæg til forbrugers lovsikrede rettigheder og påvirker ikke disse. Garantien gælder inden for medlemsstaterne af den Europæiske Union og i det Europæiske Frihandelsområde.

Hvis et Black & Decker-produkt går i stykker på grund af materiel skade og/eller fabrikationsfejl eller på anden måde ikke fungerer i overensstemmelse med specifikationen inden for 24 måneder fra købsdatoen, påtager Black & Decker sig at reparere eller ombytte produktet med mindst mulig ulempe for kunden. Garantien gælder ikke for fejl og mangler, der er sket i forbindelse med:

- ◆ normal slitage
- ◆ uheldige følger efter unormal anvendelse af værktøjet
- ◆ overbelastning, hærværk eller overdrevent intensiv brug af værktøjet eller ulykkehændelse
- ◆ Garantien gælder ikke, hvis reparationer er udført af nogen anden end et autoriseret Black & Decker-værksted.

For at udnytte garantien skal produktet og købskvitteringen indleveres til forhandleren eller til et autoriseret værksted. Kontakt det lokale Black & Decker-kontor på den adresse, der er opgivet i denne vejledning, for at få oplysninger om det nærmeste autoriserede værksted. En liste over alle autoriserede Black & Decker-serviceværksteder samt servicevilkår er tilgængelig på internettet på adressen: **www.2helpU.com**

Gå venligst ind på vores website **www.blackanddecker.dk** for at registrere dit nye produkt og for at blive holdt ajour om nye produkter og specialtilbud. Der findes yderligere oplysninger om mærket Black & Decker og vores produktsortiment på adressen **www.blackanddecker.dk**.

Käyttötarkoitukset

Tämä Black & Deckerin johdoton pora/ruuvinväännin on tarkoitettu puun, metallin ja muovin poraamiseen sekä ruuvien kiinnittämiseen. Johdotonta VPX1222-poraa/ruuvinväännintä voidaan käyttää myös pehmeän betonin poraamiseen. Tämä työkalu on tarkoitettu kotikäyttöön.

Turvallisuusohjeet

Sähkötyökalujen yleiset turvavaroitukset



Varoitus! Lue kaikki turvavaroitukset ja ohjeet.

Ohjeiden noudattamisen laiminlyönti saattaa johtaa sähköiskuun, tulipaloon ja/tai vakavaan loukkaantumiseen.

Säästä kaikki varoitukset ja ohjeet tulevaa käyttöä varten.

1. Ohjeissa käytetty käsite "sähkötyökalu" tarkoittaa verkkokäyttöisiä sähkötyökaluja (verkkojohdolla) ja akkukäyttöisiä sähkötyökaluja (ilman verkkojohdtoa).
1. **Työalueen turvallisuus**
 - a. **Pidä työalue puhtaana ja hyvin valaistuna.** Työpaikan epäjärjestys ja valaisemattomat työalueet voivat johtaa tapaturmiin.
 - b. **Älä käytä sähkötyökalua räjähdyksalttiissa ympäristössä, jossa on palavaa nestettä, kaasua tai pölyä.** Sähkötyökalu muodostaa kipinöitä, jotka saattavat sytyttää pölyn tai höyryt.
 - c. **Pidä lapset ja sivulliset loitolla sähkötyökalua käyttäessäsi.** Voit menettää laitteen hallinnan, jos huomiosi suuntautuu muualle.
2. **Sähköturvallisuus**
 - a. **Sähkötyökalun pistokkeen tulee sopia pistorasiaan.** Pistoketta ei saa muuttaa millään tavalla. Älä käytä mitään pistorasiasovittimia maadoitettujen sähkötyökalujen kanssa. Alkuperäiset pistokkeet ja niille sopivat pistorasiat vähentävät sähköiskun vaaraa.
 - b. **Vältä koskettamasta maadoitettuja pintoja, kuten putkia, pattereita, liesiä tai jääkaappeja.** Sähköiskun vaara kasvaa, jos kehosi on maadoitettu.
 - c. **Älä altista sähkötyökalua sateelle tai kosteudelle.** Veden pääsy sähkötyökalun sisään lisää sähköiskun riskiä.
 - d. **Älä käsittele virtajohtoa kovakouraisesti.** Älä käytä sitä sähkötyökalun kantamiseen, vetämiseen tai pistokkeen irrottamiseen pistorasiasta. Pidä johto loitolla kuumuudesta, öljystä, terävistä reunoista ja liikkuvista osista. Vahingoittuneet tai sotkeutuneet johdot lisäävät sähköiskun vaaraa.
- e. **Käyttäessäsi sähkötyökalua ulkona käytä ainoastaan ulkokäyttöön soveltuvaa jatkojohtoa.** Ulkokäyttöön soveltuvan jatkojohdon käyttö pienentää sähköiskun vaaraa.
- f. **Jos sähkötyökalua on välttämättä käytettävä kosteassa paikassa, käytä jäännösvirtalaitteella (RCD) suojattua virtalähdettä.** Jäännösvirtalaitteen käyttö vähentää sähköiskun vaaraa.
3. **Henkilöturvallisuus**
 - a. **Keskity työskentelyysi ja noudata tervettä järkeä käyttäessäsi sähkötyökaluja. Älä käytä sähkötyökalua, jos olet väsynyt tai huumeiden, alkoholin tai lääkkeiden vaikutuksen alaisena.** Hetken tarkkaamattomuus sähkötyökalua käytettäessä saattaa johtaa vakavaan loukkaantumiseen.
 - b. **Käytä henkilökohtaisia suojavarusteita. Käytä aina suojalaseja.** Suojavarusteet, kuten hengityssuojain, liustamattomat turvajalkineet, kypärä ja kuulosuojaimet, pienentävät loukkaantumisriskiä, jos niitä käytetään tilanteen mukaan oikein.
 - c. **Vältä tahatonta käynnistämistä. Varmista, että kytkin on off-asennossa, ennen kuin liität laitteen virtalähteeseen ja/tai akkuun, nostat laitteen tai kannat sitä.** Onnettomuusvaara lisääntyy, jos kannat sähkötyökalua sormi käyttökytkimellä tai kytket työkalun virtajohtoon pistorasiaan, kun käyttökytkin on päällä.
 - d. **Irrota mahdollinen säätö- tai kiintoavain, ennen kuin käynnistät sahan.** Sahan pyöriivään osaan kiinni jäänyt avain voi johtaa loukkaantumiseen.
 - e. **Älä kurkota liian kauas. Seiso aina tukevasti ja tasapainossa.** Tällöin voit paremmin hallita sähkösahaa yllättävissä tilanteissa.
 - f. **Käytä tarkoitukseen soveltuvia vaatteita. Älä käytä löysiä työvaatteita tai koruja. Pidä hiukset, vaatteet ja käsineet loitolla liikkuvista osista.** Väljät vaatteet, korut ja pitkät hiukset voivat takertua liikkuviin osiin.
 - g. **Jos sahaan voi kiinnittää purunkerääjän tai -imurin, tarkista, että se on paikallaan ja että se toimii oikein.** Näiden laitteiden käyttö vähentää pölyhaittoja.
4. **Sähkötyökalujen käyttö ja hoito**
 - a. **Älä ylikuormita laitetta. Käytä kyseiseen työhön tarkoitettua sähkötyökalua.** Sopivaa sähkötyökalua käyttäen työskentelet paremmin ja turvallisemmin tehoalueella, jolle sähkötyökalu on tarkoitettu.
 - b. **Älä käytä sähkötyökalua, jota ei voida käynnistää ja pysäyttää virtakytkimestä.** Jos sähkötyökalua ei voi käynnistää ja pysäyttää virtakytkimellä, se on vaarallinen ja se täytyy korjata.

- c. **Irrota pistotulppa pistorasiasta ja/tai akku laitteesta, ennen kuin suoritat säätöjä, vaihdat tarvikkeita tai siirrä sähkötyökalun varastoitavaksi.** Nämä turvatoimenpiteet pienentävät sähkötyökalun tahattoman käynnistämisen riskiä.
- d. **Säilytä sähkötyökalut poissa lasten ulottuvilta, kun niitä ei käytetä. Älä anna sahaa sellaisen henkilön käyttöön, joka ei tunne sitä tai joka ei ole tutustunut tähän käyttöohjeeseen.** Sähkötyökalut ovat vaarallisia kokemattoman käyttäjän käsissä.
- e. **Hoida sähkötyökaluja oikein. Tarkista, että liikkuvat osat toimivat moitteettomasti eivätkä ne ole puristuksessa. Tarkista myös, ettei työkalussa ei ole murtuneita tai vahingoittuneita osia, jotka saattaisivat vaikuttaa haitallisesti sen toimintaan. Korjauta mahdolliset viat ennen käyttöönottoa.** Moni tapaturma aiheutuu huonosti huollettujen laitteiden vuoksi.
- f. **Pidä leikkausterät terävinä ja puhtaina.** Huolellisesti hoidettu, terävä saha ei tartu herkästi kiinni, ja sitä on helpompi hallita.
- g. **Käytä sähkötyökaluja, tarvikkeita, vaihtotyökaluja yms. näiden ohjeiden mukaisesti. Ota tällöin huomioon työolosuhteet ja suoritettava toimenpide.** Sähkötyökalun käyttö muuhun kuin sille määrättyyn käyttöön saattaa johtaa vaarallisiin tilanteisiin.
5. **Akkukäyttöisten työkalujen käyttö ja hoito**
- a. **Lataa akku vain valmistajan määrittämässä laturissa.** Laturi, joka soveltuu määrätyn tyyppiselle akulle, saattaa aiheuttaa tulipalovaaran erilaista akkua ladattaessa.
- b. **Käytä sähkötyökalussa ainoastaan kyseiseen sähkötyökaluun tarkoitettua akkua.** Muun tyyppisen akun käyttö saattaa johtaa loukkaantumiseen ja tulipaloon.
- c. **Suojaa akkua irrallisilta metalliesineiltä, kuten paperinliittimiltä, kolikoilta, avaimilta, nauloilta ja ruuveilta, jotka voivat aiheuttaa akkuun oikosulun.** Akun koskettimien välinen oikosulku saattaa aiheuttaa palovammoja tai tulipalon.
- d. **Väärin käytetyistä akusta voi vuotaa nestettä. Älä kosketa sitä. Jos nestettä joutuu vahingossa iholle, huuhtele kosketuskohta vedellä. Jos nestettä joutuu silmiin, tarvitaan lisäksi lääkärin apua.** Akusta vuotava neste saattaa aiheuttaa ärsytystä ja palovammoja.

6. Huolto

- a. **Korjauta sähkötyökalu koulutetulla ja ammattitaitoisella henkilöllä ja hyväksy korjauksiin vain alkuperäisiä varaosia.** Täten varmistat, että sähkötyökalu säilyy turvallisena.

Sähkötyökalujen lisäturvavaroitukset



Varoitukset! Johdottomien porien ja iskuporakoneiden lisäturvavaroitukset.

- ♦ **Käytä kuulosuojaimia iskuporakonetta käyttäessäsi.** Altistuminen melulle voi aiheuttaa kuulovaurioita.
- ♦ **Käytä apukahvoja työkalun kanssa.** Otteen menettäminen voi aiheuttaa tapaturman.
- ♦ **Pitele sähkötyökalua eristetyistä tartuntapinnoista, kun teet työtä, jossa kiinnitin voi joutua kosketuksiin piilossa olevien sähköjohtojen tai oman virtajohtonsa kanssa.** Kiinnittimen kosketus jännitteisen johtimen kanssa voi tehdä myös työkalun paljaista metalliosista jännitteisiä ja aiheuttaa sähköiskun käyttäjälle.
- ♦ **Kiinnitä työstettävä kappale esimerkiksi ruuvipuristimella tukevaan alustaan.** Kappaleen kannatteleminen käsin tai sen tukeminen omaa kehoa vasten voi johtaa kappaleen irtoamiseen ja vaaratilanteeseen.
- ♦ **Ennen kuin teet aukkoja seiniin, lattioihin tai kattoihin, tarkista sähköjohtojen ja putkien sijainti.**
- ♦ **Tätä työkalua ei ole tarkoitettu** sellaisten henkilöiden käyttöön, joilla on fyysisiä tai älyllisiä rajoitteita tai aistirajoitteita, eikä laitteen toimintaan perehtymättömien henkilöiden käyttöön (lapset mukaan luettuina), paitsi valvonnan alaisina tai jos he ovat saaneet laitteen käyttöön liittyvää opastusta heidän turvallisuudestaan vastaavalta henkilöltä. Lapsia on valvottava ja estettävä leikkimästä laitteella.
- ♦ **Työkalun käyttötarkoitus on kuvattu tässä käyttöohjeessa.** Käytä työkalua ainoastaan sellaiseen työhön, johon se on tarkoitettu, ja käytä vain käyttöohjeessa ja tuotekuvastossa suositeltuja tarvikkeita ja lisälaitteita. Ohjeesta poikkeava käyttö voi aiheuttaa henkilö- ja/tai omaisuusvahinkoja.

Tärinä

Teknisissä tiedoissa ja yhdenmukaisuusilmoituksessa ilmoitettu tärinäpäästöarvo on mitattu EN 60745 -standardin testausmenetelmän mukaisesti, ja sen avulla voidaan vertailla työkaluja keskenään. Ilmoitettua tärinäpäästöarvoa voidaan käyttää myös altistumisen alustavaan arviointiin.

Varoitus! Sähkötyökalan käytön aikana mitattu todellinen tärinäpäästöarvo voi poiketa ilmoitetusta tärinäpäästöarvosta työkalun käyttötavan mukaan. Tärinätaso voi olla ilmoitettua tasoa suurempi.

Kun tärinälle altistumista arvioidaan sen määrittämiseksi, mitä direktiivin 2002/44/EY mukaisia turvatoimenpiteitä vaaditaan sähkötyökaluja säännöllisesti käyttävien henkilöiden suojelemiseksi, tärinälle altistumisen arvioinnissa on otettava huomioon todelliset käyttöolosuhteet ja työkalun käyttötavat. Todellisen käytön lisäksi on kiinnitettävä huomiota myös siihen, milloin työkalu on sammutettuna tai se käy tyhjänä.

Laitteessa olevat merkinnät



Varoitus! Käyttäjän on luettava käyttöopas vahinkojen välttämiseksi.

Akkuja ja laturia koskevat turvaohjeet

Paristot

- ◆ Älä koskaan yritä avata paristoja.
- ◆ Älä anna akun kastua.
- ◆ Älä altista akkua kuumuudelle.
- ◆ Älä säilytä paristoja tiloissa, joissa lämpötila voi nousta yli 40 °C:seen.
- ◆ Lataa akku paikassa, jonka lämpötila on vähintään +10 °C ja enintään +40 °C.
- ◆ Lataa akku ainoastaan koneen mukana toimitetulla laturilla.
- ◆ Noudata paristoja hävittäessäsi kohdassa "Ympäristönsuojelu" annettuja ohjeita.

Laturi

Käytä Black & Deckerin laturia vain sen mukana toimitetun akun lataamiseen.

- ◆ Muut akut voivat räjähtää ja aiheuttaa aineellisia vahinkoja tai henkilövahinkoja.
- ◆ Älä koskaan yritä ladata paristoja, joita ei ole tarkoitettu ladattavaksi.
- ◆ Vaihda vialliset johdot välittömästi ehjiin.
- ◆ Älä anna laturin kastua.
- ◆ Älä avaa laturia.
- ◆ Älä työnnä mitään laturin sisään.



Laturi on tarkoitettu ainoastaan sisäkäyttöön. Lue käyttöohjeet huolellisesti ennen laitteen käyttöä.



Laturi kytkeytyy automaattisesti pois päältä, jos ympäröivä lämpötila nousee liian korkeaksi. Kun ympäristön lämpötila on laskenut, laturi jatkaa toimintaansa.



Lataa akku paikassa, jonka lämpötila on vähintään +10 °C ja enintään +40 °C.



Akku latautuu.

Sähköturvallisuus



Tämä laturi on kaksoisieristetty, joten erillistä maadoitusta ei tarvita. Tarkista aina, että virtalähde vastaa arvokilvessä ilmoitettua jännitettä.

- ◆ Jos virtajohto vahingoittuu, sen vaihtaminen tulee turvallisuusyistä jättää valmistajan tai valtuutetun Black & Decker -huollon tehtäväksi.

Yleiskuvaus

1. Huoltovapaa istukka
2. Vääntömomentin säätökartio (VPX1212)
3. Nopeudenvaihtapainike
4. Eteen-/taaksepäin-painike/lukituspainike
5. Akun vapautuspainike (akussa)
6. Paristotila
7. Vaihtuvanopeuksinen virtakytkin
8. Vääntömomentin säätökartio (VPX1222)

Kuva A

14. Matalan akkujännitteen merkkivalot

Kokoaminen

Akun asentaminen (kuva A)

Varoitus! Varmista ennen akun irrottamista tai asentamista, että lukituspainike (4) on lukitussa asennossa virtakytkimen tahattoman käytön estämiseksi.

- ◆ Aseta akun metallikosketinpää (9) akkulokeroon (6) niin, että lukko napsahtaa paikalleen ja VPX™-logo näkyy ikkunan läpi.

Varoitus! Akku sopii paikalleen vain yhdellä tavalla, joten älä käytä sen asettamisessa voimaa. Jos akku ei mene paikalleen, irrota se ja aseta se toisin päin.

Akun irrottaminen (kuva A)

- ◆ Paina akun vapautuspainiketta (5) ja vedä akku (9) voimakkaasti ulos akkulokeroesta (6).

Akkujen lataaminen (kuva B)

Varoitus! Älä lataa akkuja, jos ympäröivä lämpötila on alle 10 °C tai yli 40 °C.

Huomautus: Laturi ei lataa akkuja, jos akun kennon lämpötila on alle 0 °C tai yli 60 °C. Akut tulee kuitenkin jättää laturiin. Laturi aloittaa lataamisen automaattisesti, kun kennon lämpötila laskee tai nousee sallitulle lämpötila-alueelle.

- ◆ Työnnä laturi (10) verkkovirran pistorasiaan.
- ◆ Aseta akku (9) laturiin. Varmista, että akku on asetettu oikein laturiin (10).
- ◆ Latauksen merkkivalo (11) vilkkuu tasaisesti (hitaasti).
- ◆ Anna akun latautua vähintään 5–6 tuntia.
- ◆ Akku on ladattu, kun latauksen merkkivalo (11) palaa keskeytyksettä.
- ◆ Akku voidaan jättää laturiin, kun merkkivalo palaa. Merkkivalo voi alkaa vilkkua uudelleen ns. täydennyslatauksen ajaksi.
- ◆ Latauksen merkkivalo (11) palaa niin kauan, kuin akku on pistorasiaan liitetyssä laturissa.
- ◆ Lataa akut viikon kuluessa tyhjentymisestä. Akkujen käyttöikä lyhenee merkittävästi, jos ne jätetään tyhjiksi pitkäksi aikaa.

Latauksen merkkivalot

Jos latauksessa havaitaan ongelma, latauksen merkkivalo (11) vilkkuu nopeasti.

- ◆ Aseta tällöin akku (9) uudelleen laturiin.
- ◆ Jos ongelma ei poistu, aseta toinen akku laturiin. Näin voidaan todeta, toimiiko laturi oikein.
- ◆ Jos toinen akku latautuu normaalisti, alkuperäinen akku on viallinen ja se tulee viedä Black & Deckerin huoltopisteeseen kierrätettäväksi.
- ◆ Jos toinen akku antaa saman virheilmoituksen kuin alkuperäinen, vie laturi huoltopisteeseen testattavaksi.

Huomautus: Akun kennon määrittäminen voi kestää viisitoista minuuttia.

Jos akku on liian kuuma tai kylmä, latauksen merkkivalo vilkkuu vuoroin nopeasti ja hitaasti.

Akkulaturit - ketjuttaminen (kuva C)

Yksi- (1) ja kaksiporttiset laturit (4) voidaan kytkeä toisiinsa. Näin voidaan yhdistää enintään neljä laturia. Kussakin laturissa on syöttöliitäntä (12), jolla laturi kytketään virtalähteeseen. Laturissa on myös virran ulosotto-liitäntä (13), jolla laturi kytketään toiseen laturiin.

Latureiden ketjutus:

- ◆ Kytke syöttöjohto (12) pistorasiaan.
- ◆ Irrota toisen laturin syöttöjohto ja kytke ulosottojohto (13) pistorasiaan kytketyn laturin ja toisen laturin välille.
- ◆ Kytke ulosottojohdot myös muihin mahdollisesti käytettäviin latureihin.

Ketjutetut laturit toimivat toisistaan riippumatta. Näin akku voidaan irrottaa mistä tahansa ketjutetusta laturista vaikuttamatta muiden akkujen lataamiseen.

Käyttö

Käynnistys ja pysäytys (kuvat D ja E)

- ◆ Kytke työkaluun virta painamalla vaihtuvanopeuksista virtakytöntä (7).
- ◆ Katkaise työkalun virta vapauttamalla vaihtuvanopeuksinen virtakytkin (7).
- ◆ Eteen-/taaksepäin-painike (4) määrää työkalun pyörimissuunnan ja toimii myös lukituspainikkeena.
- ◆ Valitse pyörimissuunta eteenpäin vapauttamalla vaihtuvanopeuksinen virtakytkin (7) ja siirtämällä eteen-/taaksepäin-painiketta (4) vasemmalle eteenpäin katsottuna.
- ◆ Valitse pyörimissuunta taaksepäin siirtämällä eteen-/taaksepäin-painiketta (4) vastakkaiseen suuntaan.
- ◆ Painikkeen (4) keskiasennossa työkalu on lukittu virta katkaistu -asentoon. Varmista, että vaihtuvanopeuksinen virtakytkin (7) on vapautettu, ennen kuin eteen-/taaksepäin-painikkeen (4) asentoa muutetaan.
- ◆ Jos työkaluun ei kytkeydy virta, tarkista, onko jompikumpi kahdesta VPX™-akusta tyhjentynyt. Katso lisätietoja kohdasta Akun merkkivalot.

Akun merkkivalot

Tässä tuotteessa on elektroniikkaa, joka sammuttaa virran, kun jompikumpi akusta tyhjentyy. Jos työkalu sammuu yllättäen, toinen akusta on saattanut tyhjentyä. Työkalun kahvan takaosassa oleva merkkivalo (14) ilmoittaa, kumpi akusta on tyhjentynyt.

Paina vaihtuvanopeuksista virtakytöntä (7) niin, että merkkivalo (14) syttyy. Varmista optimaalinen käyttöaika poistamalla molemmat akut. Lataa ne sitten laturissa. Akkujen kaksi merkkivaloa ovat työkalun takaosassa akkujen yläpuolella. Jos akkujännite loppuu laitteen käytön aikana, merkkivaloista voi tarkastaa, kumpi akku vaatii lataamista.

Akkujen varaustilan tarkistaminen:

- ◆ Paina virtakytöntä ja katso, kumpi merkkivalo syttyy.
- ◆ Irrota syttynyttä merkkivaloa vastaava akku.

Vääntömomentin säädin (kuvat D ja E)

Tässä työkalussa on 24-asentoinen kartio (2 tai 8), jolla valitaan toimintatila ja asetetaan vääntömomentti ruuvien kiristämistä varten. Suuret ruuvit ja kovat työstettävät materiaalit vaativat suuremman vääntömomentin kuin pienet ruuvit ja pehmeät työstettävät materiaalit.

- ◆ Puuta, metallia ja muovia poratessasi aseta kartio porausasennon symbolin kohdalle.
- ◆ Ruuveja vääntäessäsi aseta kartio haluamaasi asentoon. Jos et tiedä oikeaa asentoa, toimi seuraavasti:
- ◆ Aseta kartio pienimmän vääntömomentin mukaiseen asentoon.
- ◆ Kiristä ensimmäinen ruuvi.
- ◆ Jos kytkin luistaa ennen halutun tuloksen saavuttamista, suurena kartion asetusta ja jatka ruuvien kiristämistä. Toista menettelyä, kunnes asetus on oikea. Kiristä muut ruuvit käyttämällä tätä asetusta.

Vasaratoiminto (vain VPX1222)

Tässä porassa on vasaratoiminto:

- ◆ Betonia poratessasi aseta vääntömomentin säätökartio **T**-asentoon.

Suuri/pieni-nopeudenvälisin (kuvat D ja E)

Tämän poran kaksi nopeusvaihtoehtoa lisäävät työkalun monipuolisuutta.

- ◆ Valitse pieni nopeus ja suuri vääntömomentti (asento 1) katkaisemalla työkalusta virta ja antamalla sen pysähtyä. Siirrä nopeudenvälintapainike (3) taka-asentoon.
- ◆ Valitse suuri nopeus ja pieni vääntömomentti (asento 2) katkaisemalla työkalusta virta ja antamalla sen pysähtyä. Siirrä nopeudenvälintapainike (3) etuasentoon.

Varoitus! Älä siirrä nopeudenvälintapainiketta, kun työkaluun on virta kytkettyä.

Huoltovapaa istukka (kuva E)

Poran terän tai muun tarvikkeen asentaminen:

- ◆ Tartu istukkaan (1) ja kierrä sitä vastapäivään istukan päästä katsottuna.
- ◆ Aseta terä tai muu tarvike istukkaan ja kiinnitä se pitävästi kiertämällä istukkaa (1) myötäpäivään.

Varoitus! Älä kiristä poran terää (tai muuta tarviketta) tarttumalla istukkaan ja kytkemällä työkaluun virta. Muutoin istukka voi vahingoittua tai voi sattua tapaturma.

Ruuvien kiinnittäminen

- ◆ Ruuveja kiinnitettäessä eteen-/taaksepäin-painike (4) tulee työntää vasemmalle.

Työnnä eteen-/taaksepäin-painike (4) oikealle ruuveja irrottaessa.

Poraaminen

- ◆ Käytä vain teräviä poranteriä.
- ◆ Tue ja kiinnitä työstökohde pitävästi.

- ◆ Käytä poraa hyvin hitaasti ja kevyesti painaen, kunnes reikä on alluallaan.
- ◆ Paina suoraan terän suuntaisesti. Paina tarpeeksi kovaa niin, että terä poraa, mutta älä niin kovaa, että moottori jää kiinni tai terä vääntyy.
- ◆ Pitele poraa tiukasti kahdella kädellä niin, ettei se pääse heilumaan.
- ◆ Älä yritä käynnistää kiinni jäänyttä moottoria uudelleen painelemalla liipaisinta. Pora voi vahingoittua.
- ◆ Vähennä kiinni jäämisen mahdollisuutta puhkaisuvaiheessa vähentämällä painetta ja poraamalla hitaasti reiän loppupäässä.
- ◆ Pidä moottori käynnissä ja vedä terä ulos poratusta reiästä. Tämä estää juuttumista.
- ◆ Muuttuvanopeuksista poraa käytettäessä porattavan kohdan keskipistettä ei tarvitse lävistää. Aloita reiän poraaminen pienellä nopeudella ja lisää nopeutta painamalla liipaisinta voimakkaammin, kun reikä on niin syvä, ettei terä enää luiskahda ulos. Pora täydellä nopeudella teräosan alun jälkeen.

Puun poraaminen

Puuhun voidaan porata reikiä samoilla kierreporantereilla kuin metalliin tai litteäteräisillä porantereilla. Näiden terien tulisi olla teräviä ja porattaessa ne tulisi vetää ulos usein purujen poistamiseksi terän urista.

Metallin poraaminen

Käytä leikkuujäähdytysnestettä metalleja poratessasi. Poikkeuksia ovat valurauta ja messinki, joita tulisi porata kuivina. Parhaiten toimivia leikkuujäähdytysnesteitä ovat rikitetty leikkuuöljy ja laardiöljy.

Betonin poraaminen (vain VPX1222)

Käytä karbidikärkisiä betoniteriä. Katso lisätietoja Poraaminen-osasta. Paina poraa tasaisesti, mutta älä niin voimakkaasti, että hauras materiaali murtuu. Porausnopeus on sopiva, kun pölyn virtaus on tasaista.

Huolto

Black & Decker -työkalu on suunniteltu toimimaan mahdollisimman pitkän aikaa mahdollisimman vähällä huollolla. Oikealla huollolla ja säännöllisellä puhdistuksella kone säilyttää suorituskykynsä.

Laturi ei tarvitse säännöllisen puhdistamisen lisäksi mitään muuta huoltoa.

Varoitus! Poista akku ennen työkalun huoltamista. Irrota laturi pistorasiasta ennen laturin puhdistamista.

- ◆ Puhdista työkalun ja laturin ilma-aukot säännöllisesti pehmeällä harjalla tai kuivalla kangasliinalla.

- ◆ Puhdistamoottorin kotelo säännöllisesti kostealla rätillä. Älä koskaan käytä puhdistamiseen liuotinaineita tai syövyttäviä puhdistusaineita.
- ◆ Avaa istukka säännöllisesti ja naputtele pöly pois sen sisältä.

Ympäristö



Erillinen keräys. Tätä tuotetta ei saa hävittää normaalin kotitalousjätteen kanssa.

Kun Black & Decker -laitteesi aikanaan täytyy vaihtaa tai ei kelpaa enää käyttöön, älä hävitä laitetta kotitalousjätteen mukana. Toimita laite kierrätettäväksi.



Käytettyjen tuotteiden ja pakkausmateriaalien erilliskeruun avulla materiaalit voidaan kierrättää ja käyttää uudelleen. Kierrätysmateriaalien käyttö auttaa vähentämään ympäristön saastumista ja uusien raaka-aineiden tarvetta.

Paikallisissa säädöksissä voidaan määrätä, että kodin sähkötuotteiden keruu tapahtuu kaupunkien jätteidenkäsittelyasemilla tai laitteita myyvissä liikkeissä uuden tuotteen oston yhteydessä.

Kun laitteesi on käytetty loppuun, älä heitä sitä tavallisten roskien mukana pois, vaan vie se paikkakuntasi kierrätyskeskukseen tai jätä valtuutettuun Black & Deckerin huoltoliikkeeseen.

Tiedot valtuutetuista huoltoliikkeistä saa ottamalla yhteyttä Black & Decker Oy:hyn sekä Internetistä osoitteesta www.2helpU.com.

Paristot



Black & Deckerin akkuja voi ladata yhä uudelleen ja uudelleen. Hävitä loppuun kuluneet akut ympäristöystävällisesti.

- ◆ Käytä akku täysin loppuun ja irrota se sitten työkalusta.
- ◆ Litiumioniakut voidaan kierrättää. Voit viedä ne mihin tahansa valtuutettuun huoltoliikkeeseen tai paikalliseen kierrätyskeskukseen.

Tekniset tiedot

	VPX1212	VPX1222
Jännite	Vdc 14	14
Vääntöteho (maks.)	Nm 23	23
Kuormittamaton nopeus	rpm 0-350	0-350
	0-1200	0-1200
Suurin mahdollinen porausteho		
teräs	mm 10	10
betoni	mm -	10
puu	mm 25	25
Painot	kg 1,4	1,47
Laturi	tyyppi kaksi-porttinen	kaksi-porttinen
Akku	tyyppi 2 VPX™-akku	2 VPX™-akku

EU:n yhdenmukaisuusilmoitus

VPX1212 VPX1222

Black & Decker vakuuttaa näiden tuotteiden olevan seuraavien standardien vaatimusten mukaiset:
98/37/EY, EN 60745

Äänenpainetaso mitattuna EN 60745:n mukaisesti:
Äänenpaine (L_{pA}) 69,86 dB(A), epävarmuus (K) 3 dB(A)
Akustinen teho (L_{WA}) 80,86 dB(A), epävarmuus (K) 3 dB(A)

Tärinän kokonaisarvot (vektorisumma), määritetty EN 60745 -standardin mukaan

Ruuvinvääntö ilman iskutoimintoa (a_{ah}) = 0,869 m/s², epävarmuus (K) = 1,5 m/s²

Porattaessa metallia (a_{ah}) = 0,628 m/s², epävarmuus (K) = 1,5 m/s²

Iskuporattaessa betonia (a_{ah}) = 6,642 m/s², epävarmuus (K) = 1,5 m/s²

Allekirjoittanut on vastuussa ohjetiedoston laatimisesta ja vastaa Black & Deckerin puolesta standardienmukaisuudesta.

Kevin Hewitt
Director of Consumer Engineering
Spennymoor, County Durham DL16 6JG,
Iso-Britannia
14.10.2007

Takuu

Black & Decker Oy takaa, ettei tuotteessa ollut materiaali- ja/ tai valmistusvikaa silloin, kun se toimitettiin ostajalle. Takuu on lisäys kuluttajan laillisiin oikeuksiin eikä vaikuta niihin. Takuu on voimassa Euroopan unionin jäsenmaissa ja Euroopan vapaakauppa-alueella (EFTA).

Mikäli Black & Decker -tuote hajoaa materiaali- ja/ tai valmistusvirheen tai teknisten tietojen epätarkkuuden vuoksi 24 kk:n kuluessa ostopäivästä, Black & Decker korjaa laitteen ilman kustannuksia ostajalle tai vaihtaa sen uuteen Black & Decker Oy:n valinnan mukaan. Takuu ei kata vikoja, jotka johtuvat laitteen

- ◆ normaalista kulumisesta
- ◆ ylikuormituksesta, virheellisestä käytöstä tai hoidosta
- ◆ vahingoittamisesta vieraalla esineellä tai aineella tai onnettomuustapauksessa.
- ◆ Takuu ei ole voimassa, mikäli laitetta on korjannut joku muu kuin Black & Deckerin valtuuttama huoltoliike.

Edellytyksenä takuun saamiselle on, että ostaja näyttää laitteen ostokuitin jälleenmyyjälle tai valtuutetulle huoltoliikkeelle. Saat valtuutettujen huoltoliikkeiden yhteystiedot ottamalla yhteyden Black & Decker Oy:hyn tässä käyttöoppaassa ilmoitetussa osoitteessa. Löydät myös valtuutettujen Black & Decker -huoltoliikkeiden yhteystiedot sekä lisätietoja palveluistamme ja takuehdoista Internetissä osoitteessa: **www.2helpU.com**

Käy verkkosivuillamme osoitteessa

www.blackanddecker.fi ja rekisteröi uusi Black & Decker -tuotteesi. Sivuilta saat myös tietoa uusista tuotteista ja erikoistarjouksista. Lisätietoja Black & Decker -tuotemerkestä ja tuotevalikoimastamme on osoitteessa **www.blackanddecker.fi**.

Ενδειγμένη χρήση

Το τρυπάνι/κατσαβίδι χωρίς καλώδιο της Black & Decker έχει σχεδιαστεί για τη διάτρηση ξύλου, μετάλλου και πλαστικών, καθώς και για βίδωμα. Έχει, επίσης, σχεδιαστεί για τη διάτρηση ελαφριάς τοιχοποιίας. Αυτό το εργαλείο προορίζεται μόνο για ερασιτεχνική χρήση.

Οδηγίες ασφαλείας

Γενικές προειδοποιήσεις ασφαλείας για τα ηλεκτρικά εργαλεία



Προειδοποίηση! Διαβάστε όλες τις υποδείξεις και όλες τις οδηγίες. Η μη τήρηση όλων των υποδείξεων μπορεί να προκαλέσει ηλεκτροπληξία, πυρκαγιά ή/και σοβαρούς τραυματισμούς.

Φυλάξτε όλες τις προειδοποιήσεις και τις οδηγίες για μελλοντική αναφορά.

1. Ο χαρακτηρισμός "ηλεκτρικό εργαλείο" που χρησιμοποιείται σε όλες τις παρακάτω προειδοποιητικές υποδείξεις αφορά ή το εργαλείο που συνδέεται στην πρίζα (με καλώδιο) ή το εργαλείο που λειτουργεί με μπαταρία (χωρίς καλώδιο).
1. **Ασφάλεια χώρου εργασίας**
- a. **Διατηρείτε το χώρο που εργάζεστε καθαρό και καλά φωτισμένο.** Η αταξία στο χώρο που εργάζεστε και τα σημεία χωρίς καλό φωτισμό μπορεί να οδηγήσουν σε ατυχήματα.
- b. **Μη χρησιμοποιείτε ηλεκτρικά εργαλεία σε περιβάλλον όπου υπάρχει κίνδυνος έκρηξης, π.χ. παρουσία εύφλεκτων υγρών, αερίων ή σκόνης.** Τα ηλεκτρικά εργαλεία μπορεί να δημιουργήσουν σπινθηρισμό ο οποίος μπορεί να αναφλέξει τη σκόνη ή τις αναθυμιάσεις.
- c. **Όταν χρησιμοποιείτε το ηλεκτρικό εργαλείο, κρατάτε τα παιδιά και τα υπόλοιπα άτομα μακριά από το χώρο που εργάζεστε.** Σε περίπτωση που άλλα άτομα αποσπάσουν την προσοχή σας μπορεί να χάσετε τον έλεγχο του μηχανήματος.
2. **Ασφαλής χρήση του ηλεκτρικού ρεύματος**
- a. **Το φως του καλωδίου του ηλεκτρικού εργαλείου πρέπει να ταιριάζει στην αντίστοιχη πρίζα. Δεν επιτρέπεται με κανένα τρόπο η μετασκευή του φως. Μη χρησιμοποιείτε προσαρμοστικά φως στα γειωμένα ηλεκτρικά εργαλεία.** Τα φως που δεν έχουν υποστεί τροποποιήσεις και οι κατάλληλες πρίζες μειώνουν τον κίνδυνο ηλεκτροπληξίας.

- b. **Αποφύγετε την επαφή του σώματός σας με γειωμένες επιφάνειες όπως σωλήνες, θερμαντικά σώματα (καλοριφέρ), κουζίνες και ψυγεία.** Όταν το σώμα σας είναι γειωμένο, αυξάνεται ο κίνδυνος ηλεκτροπληξίας.
- c. **Μην εκθέτετε το ηλεκτρικό εργαλείο στη βροχή ή στην υγρασία.** Η διείσδυση νερού στο ηλεκτρικό εργαλείο αυξάνει τον κίνδυνο ηλεκτροπληξίας.
- d. **Μην κακομεταχειρίζεστε το καλώδιο.** Μη χρησιμοποιήσετε ποτέ το καλώδιο για να μεταφέρετε, να τραβήξετε ή να αποσυνδέσετε το εργαλείο από την πρίζα. Κρατάτε το καλώδιο μακριά από υψηλές θερμοκρασίες, λάδια, κοφτερές ακμές ή κινούμενα εξαρτήματα. Τυχόν χαλασμένα ή μπερδεμένα καλώδια αυξάνουν τον κίνδυνο ηλεκτροπληξίας.
- e. **Όταν χρησιμοποιείτε το ηλεκτρικό εργαλείο σε εξωτερικούς χώρους, να χρησιμοποιείτε πάντοτε καλώδια προέκτασης κατάλληλα για χρήση σε εξωτερικούς χώρους.** Η χρήση προεκτάσεων κατάλληλων για εργασία σε εξωτερικούς χώρους μειώνει τον κίνδυνο ηλεκτροπληξίας.
- f. **Εάν η χρήση ενός ηλεκτρικού εργαλείου σε μία υγρή τοποθεσία είναι αναπόφευκτη, χρησιμοποιήστε έναν εξοπλισμό προστατευτικής συσκευής παραμένουτος ρεύματος (RCD).** Η χρήση μιας συσκευής RCD μειώνει τον κίνδυνο ηλεκτροπληξίας.
3. **Ασφάλεια προσώπων**
- a. **Όταν χρησιμοποιείτε το ηλεκτρικό εργαλείο, να είστε προσεκτικοί, να δίνετε προσοχή στην εργασία που κάνετε και να επιστρατεύετε την κοινή λογική. Μη χρησιμοποιείτε το ηλεκτρικό εργαλείο όταν είστε κουρασμένοι ή όταν βρίσκεστε υπό την επήρεια ναρκωτικών, οινοπνεύματος ή φαρμάκων.** Μια στιγμιαία απροσεξία κατά το χειρισμό του ηλεκτρικού εργαλείου μπορεί να οδηγήσει σε σοβαρούς τραυματισμούς.
- b. **Να χρησιμοποιείτε εξοπλισμό προσωπικής προστασίας. Να φοράτε πάντα προστατευτικά γυαλιά.** Ο κίνδυνος τραυματισμών μειώνεται όταν χρησιμοποιείτε εξοπλισμό προστασίας, όπως μάσκα προστασίας από σκόνη, ανιολισθητικά παπούτσια ασφαλείας, κράνη ή ωτασπίδες, ανάλογα με τις συνθήκες εργασίας.
- c. **Προλαμβάνετε την αθέλητη θέση σε λειτουργία του ηλεκτρικού εργαλείου. Βεβαιωθείτε ότι ο διακόπτης λειτουργίας βρίσκεται στη θέση "OFF" πριν συνδέσετε το εργαλείο στην πρίζα και/ή στην μπαταρία, πριν το σηκώσετε ή το μεταφέρετε.** Η μεταφορά ηλεκτρικών εργαλείων με το δάχτυλό σας

- επάνω στο διακόπτη ή η σύνδεση στην πρίζα ηλεκτρικών εργαλείων με το διακόπτη στη θέση ενεργοποίησης, ενέχει κινδύνους πρόκλησης ατυχημάτων.
- d. **Πριν θέσετε το ηλεκτρικό εργαλείο σε λειτουργία, αφαιρέστε τυχόν εργαλεία ή κλειδιά ρύθμισης.** Ένα εργαλείο ή κλειδί συναρμολογημένο στο περιστρεφόμενο εξάρτημα ενός ηλεκτρικού εργαλείου μπορεί να προκαλέσει τραυματισμούς.
- e. **Μην τεντώνετε. Φροντίστε πάντοτε να έχετε την κατάλληλη στάση και να διατηρείτε την ισορροπία σας.** Αυτό σας επιτρέπει τον καλύτερο έλεγχο του ηλεκτρικού εργαλείου σε περιπτώσεις απροσδόκητων καταστάσεων.
- f. **Φοράτε κατάλληλη ενδυμασία εργασίας. Μη φοράτε φαρδιά ρούχα ή κοσμήματα. Κρατάτε τα μαλλιά, τα ενδύματα και τα γάντια σας μακριά από τα κινούμενα εξαρτήματα.** Τα φαρδιά ρούχα, τα κοσμήματα και τα μακριά μαλλιά μπορεί να εμπλακούν στα κινούμενα εξαρτήματα.
- g. **Αν προβλέπονται διατάξεις απαγωγής και συλλογής της σκόνης, βεβαιωθείτε ότι είναι συνδεδεμένες και ότι χρησιμοποιούνται σωστά.** Η χρήση τέτοιων διατάξεων μειώνει τους κινδύνους που προέρχονται από τη σκόνη.
4. **Χρήση και συντήρηση του ηλεκτρικού εργαλείου**
- a. **Μην υπερφορτώνετε το ηλεκτρικό εργαλείο.** Χρησιμοποιείτε για την εκάστοτε εργασία σας το ηλεκτρικό εργαλείο που προορίζεται γι' αυτήν. Με το κατάλληλο ηλεκτρικό εργαλείο εργάζεστε καλύτερα και ασφαλέστερα στην ονομαστική περιοχή ισχύος του.
- b. **Μη χρησιμοποιήσετε ποτέ ένα ηλεκτρικό εργαλείο του οποίου ο διακόπτης λειτουργίας είναι χαλασμένος.** Ένα ηλεκτρικό εργαλείο του οποίου η λειτουργία δεν μπορεί να ελεγχθεί με το διακόπτη είναι επικίνδυνο και πρέπει να επισκευαστεί.
- c. **Βγάλτε το φως από την πρίζα και/ή την μπαταρία από το ηλεκτρικό εργαλείο, πριν διεξάγετε κάποια εργασία ρύθμισης, πριν αλλάξετε κάποιο εξάρτημα ή όταν πρόκειται να αποθηκεύσετε τα ηλεκτρικά εργαλεία.** Αυτά τα προληπτικά μέτρα ασφαλείας μειώνουν τον κίνδυνο να τεθεί το εργαλείο αθέλητα σε λειτουργία.
- d. **Να φυλάτε τα ηλεκτρικά εργαλεία που δεν χρησιμοποιείτε μακριά από παιδιά. Μην αφήνετε άτομα που δεν είναι εξοικειωμένα με το ηλεκτρικό εργαλείο ή που δεν έχουν διαβάσει αυτές τις οδηγίες χρήσης να το χρησιμοποιήσουν.** Τα ηλεκτρικά εργαλεία είναι επικίνδυνα όταν χρησιμοποιούνται από άπειρα άτομα.
- e. **Να συντηρείτε τα ηλεκτρικά εργαλεία. Ελέγξτε εάν τα κινούμενα μέρη είναι σωστά ευθυγραμμισμένα ή αν έχουν μπλοκάρει, εάν έχουν σπάσει κομμάτια και εάν πληρούνται όλες οι υπόλοιπες συνθήκες που ενδεχομένως να επηρεάσουν τη σωστή λειτουργία του εργαλείου. Δώστε τυχόν χαλασμένα εξαρτήματα του ηλεκτρικού εργαλείου για επισκευή πριν το χρησιμοποιήσετε πάλι.** Η ανεπαρκής συντήρηση των ηλεκτρικών εργαλείων αποτελεί αιτία πολλών ατυχημάτων.
- f. **Διατηρείτε τα κοπτικά εργαλεία κοφτερά και καθαρά.** Τα κοπτικά εργαλεία με αιχμηρά κοπτικά άκρα που συντηρούνται σωστά έχουν λιγότερες πιθανότητες να μπλοκάρουν και ελέγχονται ευκολότερα.
- g. **Να χρησιμοποιείτε τα ηλεκτρικά εργαλεία, τα εξαρτήματα και τα άκρα των εργαλείων κλπ σύμφωνα με τις παρούσες οδηγίες, λαμβάνοντας υπόψη σας τις συνθήκες εργασίας και την εργασία που θέλετε να εκτελέσετε.** Η χρήση του ηλεκτρικού εργαλείου για άλλες εκτός από τις προβλεπόμενες εργασίες μπορεί να δημιουργήσει επικίνδυνες καταστάσεις.
5. **Χρήση και συντήρηση του εργαλείου μπαταρίας**
- a. **Επαναφορτίστε μόνο με το φορτιστή που καθορίζεται από τον κατασκευαστή.** Ένας φορτιστής που είναι κατάλληλος για έναν τύπο μπαταρίας μπορεί να προκαλέσει κίνδυνο πυρκαγιάς εάν χρησιμοποιηθεί με άλλη μπαταρία.
- b. **Χρησιμοποιείτε τα ηλεκτρικά εργαλεία αποκλειστικά και μόνο με τις καθοριζόμενες μπαταρίες.** Η χρήση άλλων μπαταριών μπορεί να προκαλέσει κίνδυνο τραυματισμού και πυρκαγιάς.
- c. **Όταν η μπαταρία δε χρησιμοποιείται, μην την πλησιάζετε σε μεταλλικά αντικείμενα όπως συνδετήρες, κέρματα, κλειδιά, καρφιά, βίδες ή άλλα μικρά μεταλλικά αντικείμενα που μπορούν να βραχυκυκλώσουν τους δύο πόλους της.** Εάν βραχυκυκλώσουν οι πόλοι της μπαταρίας μπορεί να προκληθούν εγκαύματα ή πυρκαγιά.
- d. **Υπό ακραίες συνθήκες, είναι δυνατή η διαρροή υγρού από την μπαταρία, με το οποίο πρέπει να αποφύγετε την επαφή. Σε περίπτωση κατά λάθος επαφής, ξεπλύνετε με νερό. Εάν το υγρό έρθει σε επαφή με τα μάτια, ζητήστε και ιατρική βοήθεια.** Το υγρό που διαρρέει από την μπαταρία μπορεί να προκαλέσει ερεθισμούς ή εγκαύματα.

6. Σέρβις

- a. Το σέρβις του ηλεκτρικού σας εργαλείου πρέπει να αναλαμβάνει έμπειρος τεχνικός που θα χρησιμοποιεί μόνο γνήσια ανταλλακτικά. Έτσι εξασφαλίζεται η διατήρηση της ασφάλειας του ηλεκτρικού εργαλείου.

Συμπληρωματικές προειδοποιήσεις ασφαλείας για τα ηλεκτρικά εργαλεία.

Προειδοποίηση! Συμπληρωματικές



προειδοποιήσεις ασφαλείας για τρυπάνια χωρίς καλώδιο και κρουστικά τρυπάνια.

- ◆ Όταν χρησιμοποιείτε κρουστικά τρυπάνια, να φοράτε ωτοασπίδες. Η έκθεση σε θόρυβο μπορεί να προκαλέσει απώλεια της ακοής.
- ◆ Χρησιμοποιείτε τις βοηθητικές λαβές που παρέχονται μαζί με το εργαλείο. Η απώλεια ελέγχου του εργαλείου μπορεί να προκαλέσει τραυματισμό.
- ◆ Κρατάτε το ηλεκτρικό εργαλείο από τις μονωμένες επιφάνειες συγκράτησης όταν εκτελείτε κάποια εργασία κατά την οποία ο συνδετήρας μπορεί να έρθει σε επαφή με κρυμμένα καλώδια ή με το δικό του καλώδιο. Οι συνδετήρες που περιέχουν καλώδια υπό τάση θα θέσουν τα μεταλλικά μέρη του ηλεκτρικού εργαλείου υπό τάση με αποτέλεσμα ο χειριστής να υποστεί ηλεκτροπληξία.
- ◆ Χρησιμοποιείτε σφινκτήρες ή άλλα πρακτικά μέσα για να ασφαλίσετε και να συγκρατείτε το προς επεξεργασία αντικείμενο σε ένα σταθερό πάγκο. Η συγκράτηση του αντικειμένου με το χέρι ή επάνω στο σώμα σας το καθιστά ασταθές και μπορεί να οδηγήσει σε απώλεια του ελέγχου.
- ◆ Πριν κάνετε διάνοιξη οπών ή βίδωμα εξαρτημάτων σε τοίχους, δάπεδα ή ταβάνια, να ελέγχετε για τυχόν διερχόμενα καλώδια και σωλήνες.
- ◆ Αυτό το εργαλείο δεν προορίζεται για χρήση από άτομα (στα οποία περιλαμβάνονται και τα παιδιά) με μειωμένες φυσικές, αντιληπτικές ή διανοητικές ικανότητες, ή άτομα χωρίς εμπειρία και γνώσεις, παρά μόνο εφόσον επιτηρούνται ή τους έχουν δοθεί οδηγίες σχετικά με τη χρήση της συσκευής από άτομο υπεύθυνο για την ασφάλειά τους. Τα παιδιά πρέπει να επιτηρούνται για να είστε σίγουροι ότι δεν παίζουν με το εργαλείο.
- ◆ Η ενδεξιμένη χρήση περιγράφεται σε αυτό το εγχειρίδιο οδηγιών. Η χρήση οποιουδήποτε αξεσουάρ ή προσαρτήματος ή η εκτέλεση οποιασδήποτε εργασίας με αυτό το εργαλείο διαφορετικής από αυτές που συστήνονται στο παρόν εγχειρίδιο οδηγιών ενδέχεται να εκγυμώσει κίνδυνο τραυματισμού και/ή ζημιάς σε ιδιοκτησία.

Δόνηση

Η δηλωμένη τιμή εκπομπής δόνησης που αναφέρεται στα τεχνικά χαρακτηριστικά και τη δήλωση συμμόρφωσης έχει μετρηθεί σύμφωνα με μια τυποποιημένη μέθοδο δοκιμής που παρέχεται από το πρότυπο EN 60745 και μπορεί να χρησιμοποιηθεί για τη σύγκριση ενός εργαλείου με ένα άλλο. Η δηλωμένη τιμή εκπομπής δόνησης μπορεί επίσης να χρησιμοποιηθεί σε έναν προκαταρκτικό προσδιορισμό της έκθεσης.

Προειδοποίηση! Η τιμή εκπομπής δόνησης κατά την πραγματική χρήση του ηλεκτρικού εργαλείου μπορεί να διαφέρει από τη δηλωμένη τιμή ανάλογα με το τρόπο που χρησιμοποιείται το εργαλείο. Η στάθμη δόνησης μπορεί να αυξηθεί πάνω από τη στάθμη που έχει δηλωθεί.

Κατά τον προσδιορισμό της έκθεσης σε δόνηση για τον καθορισμό των απαιτούμενων μέτρων ασφαλείας σύμφωνα με την οδηγία 2002/44/EK για την προστασία προσώπων που χρησιμοποιούν συχνά ηλεκτρικά εργαλεία στην εργασία τους, μια προσεγγιστική εκτίμηση της έκθεσης σε δόνηση πρέπει να λαμβάνει υπόψη τις πραγματικές συνθήκες χρήσης και τον τρόπο χρήσης του εργαλείου, συμπεριλαμβανομένων και όλων των επιμέρους τμημάτων του κύκλου εργασίας, όπως, πόσες φορές τέθηκε το εργαλείο εκτός λειτουργίας, πότε είναι σε λειτουργία χωρίς φορτίο και επιπρόσθετα ο χρόνος πίεσης της σκανδάλης.

Ετικέτες στο εργαλείο



Προειδοποίηση! Για να μειωθεί ο κίνδυνος τραυματισμού, ο χρήστης πρέπει να διαβάσει το εγχειρίδιο οδηγιών.

Συμπληρωματικές οδηγίες ασφαλείας για τις μπαταρίες και τους φορτιστές

Μπαταρίες

- ◆ Μην επιχειρήσετε ποτέ να ανοίξετε τις μπαταρίες για οποιοδήποτε λόγο.
- ◆ Μην εκθέτετε την μπαταρία σε νερό.
- ◆ Μην εκθέτετε την μπαταρία σε θερμότητα.
- ◆ Μη φυλάσσετε τις μπαταρίες σε μέρη όπου η θερμοκρασία μπορεί να υπερβεί τους 40 °C.
- ◆ Η φόρτιση πρέπει να γίνεται μόνο σε θερμοκρασίες περιβάλλοντος μεταξύ 10 °C και 40 °C.
- ◆ Η φόρτιση πρέπει να γίνεται μόνο με τους φορτιστές που παρέχονται μαζί με το εργαλείο.
- ◆ Όταν απορρίπτετε τις μπαταρίες, ακολουθήστε τις οδηγίες που δίνονται στην ενότητα "Προστασία του περιβάλλοντος".

Φορτιστές

- ◆ Ο φορτιστής Black & Decker πρέπει να χρησιμοποιείται αποκλειστικά και μόνο για τη φόρτιση της μπαταρίας η οποία τον συνόδευε. Αν χρησιμοποιηθεί για άλλες μπαταρίες, αυτές μπορεί να εκραγούν, προκαλώντας τραυματισμό και ζημιές.
- ◆ Μην επιχειρήσετε ποτέ να φορτίσετε μη επαναφορτιζόμενες μπαταρίες.
- ◆ Αν κάποιο καλώδιο φθαρεί, αντικαταστήστε το αμέσως.
- ◆ Μην εκθέτετε τον φορτιστή σε νερό.
- ◆ Μην ανοίγετε τον φορτιστή.
- ◆ Μην επεμβαίνετε στο φορτιστή.



Ο φορτιστής προορίζεται για χρήση σε εσωτερικούς χώρους μόνο. Διαβάστε αυτό το εγχειρίδιο οδηγιών πριν από τη χρήση.



Ο φορτιστής απενεργοποιείται αυτόματα όταν η θερμοκρασία περιβάλλοντος ανέβει υπερβολικά. Μόλις η θερμοκρασία περιβάλλοντος μειωθεί στα κανονικά επίπεδα, ο φορτιστής ξαναρχίζει να λειτουργεί.



Η φόρτιση πρέπει να γίνεται μόνο σε θερμοκρασίες περιβάλλοντος μεταξύ 10° C και 40° C.



Φόρτιση.

Ασφαλής χρήση του ηλεκτρικού ρεύματος

Αυτός ο φορτιστής φέρει διπλή μόνωση, επομένως δεν απαιτείται σύρμα γείωσης. Ελέγχετε πάντοτε αν η τάση τροφοδοσίας αντιστοιχεί σε αυτήν που αναγράφεται στην πινακίδα τεχνικών χαρακτηριστικών.

- ◆ Αν το καλώδιο ρεύματος έχει υποστεί φθορά, η αντικατάστασή του πρέπει να γίνει από τον κατασκευαστή ή από ένα εξουσιοδοτημένο κέντρο της Black & Decker, ώστε να μην αποτελέσει κίνδυνο.

Χαρακτηριστικά

1. Τσοκ χωρίς σφήνα
2. Κολάρο ρύθμισης ροπής (VPX1212)
3. Διακόπτης επιλογής ταχύτητας
4. Κουμπί κίνησης προς τα εμπρός/πίσω και απασφάλιση
5. Κουμπί απελευθέρωσης μπαταρίας (στην μπαταρία)
6. Θήκη μπαταριών
7. Διακόπτης-σκανδάλη μεταβλητής ταχύτητας
8. Κολάρο ρύθμισης ροπής (VPX1222)

Εικ. Α

14. Ενδεικτική λυχνία χαμηλής στάθμης μπαταρίας

Συναρμολόγηση

Τοποθέτηση της μπαταρίας (εικ. Α)

Προειδοποίηση! Βεβαιωθείτε ότι το κουμπί απασφάλισης (4) είναι πατημένο για να αποτραπεί κατά λάθος ενεργοποίηση του διακόπτη πριν από την αφαίρεση ή την τοποθέτηση της μπαταρίας.

- ◆ Εισαγάγετε το μεταλλικό άκρο με τον πόλο της μπαταρίας (9) στην υποδοχή μπαταρίας (6) μέχρι να ακούσετε τον ήχο "κλικ" που υποδηλώνει ότι η ασφάλεια "κουμπώσε" στη θέση της και να εμφανιστεί το λογότυπο VPX™ στο παράθυρο.

Προειδοποίηση! Η μπαταρία μπορεί να τοποθετηθεί μόνο με έναν τρόπο, μην ασκείτε δύναμη. Εάν η μπαταρία δεν μπορεί να τοποθετηθεί στην υποδοχή, αφαιρέστε την και τοποθετήστε την ανάποδα.

Αφαίρεση της μπαταρίας (εικ. Α)

- ◆ Πατήστε το κουμπί απελευθέρωσης μπαταρίας (5) και τραβήξτε δυνατά την μπαταρία (9) από την υποδοχή μπαταρίας (6).

Φόρτιση της μπαταρίας (εικ. Β)

Προειδοποίηση! Μη φορτίζετε τις μπαταρίες σε θερμοκρασίες περιβάλλοντος κάτω από 10° C ή πάνω από 40° C.

Σημείωση: Ο φορτιστής δε θα φορτίσει μια μπαταρία με θερμοκρασία κυψέλης κάτω από περίπου 0° C ή πάνω από 60° C. Η μπαταρία θα πρέπει να παραμείνει στο φορτιστή και αυτός θα αρχίσει να τη φορτίζει αυτόματα μόλις η θερμοκρασία κυψέλης αυξηθεί ή μειωθεί αντίστοιχα.

- ◆ Συνδέστε το φορτιστή (10) και δώστε ρεύμα.
- ◆ Τοποθετήστε την μπαταρία (9) στο φορτιστή. Βεβαιωθείτε ότι η μπαταρία έχει εισαχθεί πλήρως στο φορτιστή (10).
- ◆ Η ενδεικτική λυχνία φόρτισης (11) θα αρχίσει να αναβοσβήνει συνεχώς (αργά).
- ◆ Αφήστε τη μπαταρία να φορτίσει για τουλάχιστον 5 με 6 ώρες.
- ◆ Η φόρτιση έχει ολοκληρωθεί όταν η ενδεικτική λυχνία φόρτισης (11) ανάψει σταθερά
- ◆ Ο φορτιστής και η μπαταρία μπορούν να παραμείνουν συνδεδεμένα επ' αόριστον όσο η ενδεικτική λυχνία LED είναι αναμμένη. Η ενδεικτική λυχνία LED περνά σε κατάσταση φόρτισης (αρχίζει να αναβοσβήνει), καθώς ο φορτιστής αναπληρώνει περιστασιακά το φορτίο της μπαταρίας.

- ◆ Η ενδεικτική λυχνία φόρτισης (11) παραμένει αναμμένη για όσο διάστημα η μπαταρία είναι συνδεδεμένη με το φορτιστή στην πρίζα.
- ◆ Φορτίστε τις αποφορτισμένες μπαταρίες εντός 1 εβδομάδας. Η διάρκεια ζωής μιας μπαταρίας μειώνεται σημαντικά εάν αυτή αποθηκευτεί σε αποφορτισμένη κατάσταση.

Ενδεικτική λυχνία φόρτισης

Εάν ο φορτιστής εντοπίσει κάποιο πρόβλημα με μια μπαταρία, η ενδεικτική λυχνία φόρτισης (11) αρχίζει να αναβοσβήνει με γρήγορο ρυθμό.

- ◆ Στην περίπτωση αυτή, επανατοποθετήστε την μπαταρία (9) στο φορτιστή.
- ◆ Εάν το πρόβλημα εξακολουθήσει να εμφανίζεται, τοποθετήστε μια άλλη μπαταρία στο φορτιστή για να εξακριβώσετε εάν ο φορτιστής είναι εντάξει.
- ◆ Εάν η νέα μπαταρία φορτίζεται σωστά, αυτό σημαίνει ότι η αρχική μπαταρία είναι ελαττωματική και θα πρέπει να επιστραφεί σε ένα κέντρο σέρβις για ανακύκλωση.
- ◆ Εάν η νέα μπαταρία δίνει την ίδια ένδειξη με την αρχική, πηγαίστε το φορτιστή για έλεγχο σε ένα εξουσιοδοτημένο κέντρο σέρβις.

Σημείωση: Μπορεί να χρειαστούν μέχρι και δεκαπέντε λεπτά για να εξακριβωθεί εάν η μπαταρία είναι ελαττωματική.

Εάν η μπαταρία είναι πολύ παλιά ή πολύ κρύα, η ενδεικτική λυχνία LED θα αναβοσβήνει εναλλάξ με γρήγορο και αργό ρυθμό, συγκεκριμένα, θα αναβοσβήνει μια φορά σε κάθε ρυθμό και πάλι από την αρχή.

Φορτιστές μπαταριών – αλυσιδωτή σύνδεση (εικ. C)

Οι φορτιστές μιας θύρας και δύο θυρών μπορούν να συνδεθούν ηλεκτρικά με οποιαδήποτε σειρά σε ένα σύστημα 4 φορτιστών το μέγιστο. Κάθε φορτιστής έχει ένα καλώδιο ρεύματος εισόδου (12) το οποίο συνδέεται στην πρίζα και ένα καλώδιο ρεύματος εξόδου (13) το οποίο συνδέεται στον επόμενο φορτιστή.

Για να δημιουργήσετε μια αλυσιδωτή σύνδεση φορτιστών:

- ◆ Συνδέστε το καλώδιο ρεύματος εισόδου (12) σε μια πρίζα.
- ◆ Αφαιρέστε το καλώδιο ρεύματος εισόδου από τον επόμενο φορτιστή και συνδέστε το καλώδιο ρεύματος εξόδου (13) του φορτιστή που είναι τώρα συνδεδεμένος στην πρίζα.
- ◆ Επαναλάβετε αυτή τη διαδικασία και για τους υπόλοιπους φορτιστές.

Οι αλυσιδωτά συνδεδεμένοι φορτιστές λειτουργούν ανεξάρτητα ο ένας από τον άλλο σαν να ήταν ο καθένας συνδεδεμένος σε ξεχωριστή πρίζα, επομένως μια μπαταρία μπορεί να αφαιρεθεί από οποιονδήποτε φορτιστή της αλυσιδωτής σύνδεσης χωρίς αυτό να επηρεάζει τους άλλους φορτιστές.

Χρήση

Ενεργοποίηση και απενεργοποίηση (εικ. D και E)

- ◆ Πιέστε το διακόπτη σκανδάλη μεταβλητής ταχύτητας (7) για να ενεργοποιήσετε το εργαλείο.
- ◆ Πιέστε το διακόπτη σκανδάλη μεταβλητής ταχύτητας (7) για να απενεργοποιήσετε το εργαλείο.
- ◆ Ένα κουμπί ελέγχου κίνησης προς τα εμπρός/πίσω (4) καθορίζει την κατεύθυνση κίνησης του εργαλείου και ταυτόχρονα χρησιμεύει και ως κουμπί απασφάλισης.
- ◆ Για να επιλέξετε περιστροφική κίνηση προς τα εμπρός, απελευθερώστε το διακόπτη-σκανδάλη μεταβλητής ταχύτητας (7) και μετακινήστε το κουμπί ελέγχου κίνησης προς τα εμπρός/πίσω (4) αριστερά, κοιτώντας μπροστά.
- ◆ Για να επιλέξετε την αντίθετη κατεύθυνση κίνησης, μετακινήστε το κουμπί ελέγχου κίνησης προς τα εμπρός/πίσω (4) στην αντίθετη κατεύθυνση.
- ◆ Η κεντρική θέση του κουμπιού ελέγχου (4) ασφαλίζει το εργαλείο στη θέση off. Βεβαιωθείτε ότι ο διακόπτης σκανδάλη on/off (7) είναι απελευθερωμένος πριν αλλάξετε τη θέση του κουμπιού ελέγχου κίνησης προς τα εμπρός/πίσω (4).
- ◆ Αν το εργαλείο δεν μπορεί να ενεργοποιηθεί, ελέγξτε μήπως κάποια από τις 2 VPX™ μπαταρίες έχει αδειάσει. Ανατρέξτε στην ενότητα "Ενδεικτική λυχνία LED μπαταρίας", παρακάτω.

Ενδεικτική λυχνία LED μπαταρίας

Το προϊόν αυτό διαθέτει ηλεκτρονικό σύστημα το οποίο απενεργοποιεί το εργαλείο σε περίπτωση που κάποια από τις δύο μπαταρίες αδειάσει. Αν το εργαλείο σταματήσει ξαφνικά να λειτουργεί, ίσως μία από τις δύο μπαταρίες έχει αδειάσει. Μια ενδεικτική λυχνία LED (14) στο πίσω μέρος της λαβής του εργαλείου υποδηλώνει ποια μπαταρία έχει αδειάσει.

Για να ενεργοποιήσετε την ενδεικτική λυχνία (14) πιέστε το διακόπτη σκανδάλη μεταβλητής ταχύτητας (7). Για να εξασφαλίσετε την καλύτερη λειτουργία του εργαλείου, αφαιρέστε τις μπαταρίες και τοποθετήστε τις σε ένα φορτιστή. Στο πίσω μέρος του εργαλείου, πάνω από τις μπαταρίες, βρίσκονται δύο ενδεικτικές λυχνίες κατάστασης μπαταριών.

Αν κατά τη χρήση του εργαλείου σας, εξαντληθεί η ενέργεια από τις μπαταρίες, μπορείτε να καθορίσετε ποιά είναι αυτή που χρειάζεται επαναφόρτιση.

Έλεγχος κατάστασης μπαταρίας:

- ◆ Πιέστε τη σκανδάλη και παρατηρήστε ποια ενδεικτική λυχνία LED έχει ανάψει.
- ◆ Αφαιρέστε τη μπαταρία που αντιστοιχεί στην ενδεικτική λυχνία LED που έχει ανάψει.

Έλεγχος ροπής (εικ. D και E)

Το εργαλείο αυτό είναι εξοπλισμένο με ένα κολάρο 24 θέσεων (2 ή 8) για την επιλογή τρόπου λειτουργίας και τη ρύθμιση της ροπής, όταν σφίγγετε βίδες. Οι μεγάλες βίδες και τα σκληρά υλικά προς επεξεργασία απαιτούν ρύθμιση μεγαλύτερης ροπής από ότι οι μικρές βίδες και τα μαλακά υλικά προς επεξεργασία.

- ◆ Για διάτρηση σε ξύλο, μέταλλο και πλαστικό, ρυθμίστε το κολάρο στη θέση με το σύμβολο της διάτρησης.
- ◆ Για βίδωμα, ρυθμίστε το κολάρο στην επιθυμητή θέση. Αν δεν γνωρίζετε την κατάλληλη ρύθμιση, συνεχίστε ως ακολούθως:
- ◆ Τοποθετήστε το κολάρο στη χαμηλότερη ρύθμιση ροπής.
- ◆ Σφίξτε την πρώτη βίδα.
- ◆ Αν κατά τη προσπάθεια να σφίξετε τη βίδα διαπιστώνετε αντίσταση και δεν επιτυγχάνεται το επιθυμητό αποτέλεσμα, αυξήστε τη ρύθμιση του κολάρου και συνεχίστε να σφίγγετε τη βίδα. Επαναλάβετε μέχρι να επιτύχετε τη σωστή ρύθμιση. Χρησιμοποιήστε την ίδια ρύθμιση και για τις υπόλοιπες βίδες.

Κρουστική λειτουργία (μόνο στο VPX1222)

Το τρυπάνι σας διαθέτει κρουστική λειτουργία:

- ◆ Για διάτρηση σε ξύλο, ρυθμίστε το κολάρο ελέγχου ροπής στη θέση **T**.

Επιλογέας υψηλής/χαμηλής ταχύτητας (εικ. D και E)

Η δυνατότητα επιλογής 2 ταχυτήτων του τρυπανιού σας εξασφαλίζει μεγαλύτερη ευελιξία χρήσης.

- ◆ Για να επιλέξετε τη χαμηλή ταχύτητα, δηλ. τη ρύθμιση υψηλής ροπής (θέση 1), απενεργοποιήστε το εργαλείο και αφήστε το να σταματήσει. Μετακινήστε το κουμπί επιλογής ταχύτητας (3) προς τα πίσω.
- ◆ Για να επιλέξετε την υψηλή ταχύτητα, δηλ. τη ρύθμιση χαμηλής ροπής (θέση 2), απενεργοποιήστε το εργαλείο και αφήστε το να σταματήσει. Μετακινήστε το κουμπί επιλογής ταχύτητας (3) προς τα εμπρός.

Προειδοποίηση! Μη μετακινείτε το κουμπί επιλογής ταχύτητας με το εργαλείο ενεργοποιημένο.

Τσοκ χωρίς σφήνα (εικ. E)

Για να τοποθετήσετε μια μύτη τρυπανιού ή ένα άλλο αξεσουάρ:

- ◆ Κρατήστε το τσοκ (1) και περιστρέψτε το αριστερόστροφα όπως βλέπετε από την άκρη του τσοκ.
- ◆ Τοποθετήστε τη μύτη του τρυπανιού ή όποιο άλλο αξεσουάρ μέσα στο τσοκ και σφίξτε το τσοκ (1) δεξιόστροφα μέχρι να ασφαλίσει.

Προειδοποίηση! Μην επιχειρήσετε να σφίξετε μύτες τρυπανιού (ή άλλο αξεσουάρ) πιάνοντας σφιχτά το τσοκ και ενεργοποιώντας το εργαλείο καθώς μπορεί να προκληθεί ζημιά στο τσοκ και τραυματισμός.

Βίδωμα

- ◆ Κατά το βίδωμα, το κουμπί κίνησης προς τα εμπρός/πίσω (4) θα πρέπει να είναι πατημένο αριστερά.

Μετακινήστε το κουμπί κίνησης προς τα εμπρός/πίσω (4) πατώντας το προς τα δεξιά για να αφαιρέσετε βίδες.

Διάτρηση

- ◆ Χρησιμοποιείτε μόνο αιχμηρές μύτες τρυπανιού.
- ◆ Να συγκρατείτε και να ασφαρίζετε καλά το προς επεξεργασία αντικείμενο κατά την εργασία.
- ◆ Εκτελείτε τη διάτρηση πολύ αργά, ασκώντας ελαφριά πίεση, μέχρι να αρχίσει να ανοίγει η οπή.
- ◆ Ασκήστε πίεση με τη μύτη του εργαλείου σε ευθεία γραμμή. Ασκήστε όση πίεση χρειάζεται για να μπορεί η μύτη να διατρήσει το αντικείμενο, όχι όμως σε υπερβολικό βαθμό γιατί υπάρχει κίνδυνος να κολλήσει το μοτέρ ή να παραμορφωθεί η μύτη.
- ◆ Κρατάτε το τρυπάνι καλά και με τα δύο χέρια ώστε να ελέγχετε την κίνηση συστροφής του.
- ◆ Εάν το τρυπάνι κολλήσει, μην πατάτε τη σκανδάλη του εναλλάξ στις θέσεις on και off προσπαθώντας να το θέσετε σε λειτουργία. Μπορεί να προκληθεί ζημιά στο τρυπάνι.
- ◆ Ελαχιστοποιήστε το ενδεχόμενο κολλήματος κατά το σπάσιμο του αντικείμενου για τη διάνοξη της οπής μειώνοντας την πίεση και εκτελώντας τη διάτρηση αργά μέχρι να ολοκληρωθεί η οπή.
- ◆ Αφήστε το μοτέρ να λειτουργεί καθώς βγάζετε τη μύτη του εργαλείου από μια οπή που μόλις διανοίξατε. Αυτό συμβάλλει στον περιορισμό του κολλήματος.
- ◆ Με τα τρυπάνια μεταβλητής ταχύτητας δε χρειάζεται να κάνετε αρχικό τρύπημα στο κέντρο στο σημείο όπου πρόκειται να γίνει η διάτρηση. Χρησιμοποιήστε μια χαμηλή ταχύτητα για να ξεκινήσετε τη διάτρηση της οπής και επιταχύνετε πιέζοντας τη σκανδάλη πιο πολύ όταν η οπή έχει αποκτήσει τέτοιο βάθος που δεν επιπρέπει στη μύτη του τρυπανιού να αναπηδήσει έξω

από αυτήν. Χρησιμοποιήστε το εργαλείο στην πλήρη ταχύτητα μετά την εκκίνηση της μύτης.

Διάτρηση ξύλου

Οι σπές στο ξύλο μπορούν να γίνουν με τις ίδιες μύτες τρυπανιού συστροφής που χρησιμοποιούνται για τη διάτρηση μετάλλων ή με επίπεδη μύτη. Αυτές οι μύτες θα πρέπει να είναι αιχμηρές και να τραβιούνται συχνά έξω από την οπή κατά τη διάτρηση για να αφαιρούνται τα ρινίσματα από τα τοιχώματα της διανοιγμένης οπής.

Διάτρηση μετάλλου

Κατά τη διάτρηση μετάλλων, να χρησιμοποιείτε ένα λιπαντικό κοπής. Από τον κανόνα αυτό εξαιρούνται ο χυτοσίδηρος και ο μπρούντζος, στους οποίους η διάτρηση πρέπει να εκτελείται χωρίς λιπαντικό. Τα πιο αποτελεσματικά λιπαντικά κοπής είναι το θειωμένο λάδι κοπής και το λαρδί.

Διάτρηση τοιχοποιίας (μόνο στο VPX1222)

Χρησιμοποιείτε μύτες για τοιχοποιία με άκρο καρβιδίου. Ανατρέξτε στην ενότητα “Διάτρηση”. Ασκήστε σταθερά μια ομοιόμορφη πίεση στο τρυπάνι, όχι όμως σε υπερβολικό βαθμό γιατί μπορεί να προκληθεί ρηγάτωση στο εύθραυστο υλικό. Η ομαλή, ομοιόμορφη ροή σκόνης υποδηλώνει ότι η διάτρηση γίνεται με το σωστό ρυθμό.

Συντήρηση

Αυτό το εργαλείο της Black & Decker έχει σχεδιαστεί έτσι ώστε να λειτουργεί για μεγάλο χρονικό διάστημα με την ελάχιστη δυνατή συντήρηση. Η αδιάλειπτη και ικανοποιητική λειτουργία του εργαλείου εξαρτάται από τη φροντίδα και τον τακτικό καθαρισμό.

Ο φορτιστής σας δεν απαιτεί κάποια συντήρηση εκτός του τακτικού καθαρισμού.

Προειδοποίηση! Πρωτού πραγματοποιήσετε κάποια συντήρηση στο εργαλείο, αφαιρέστε την μπαταρία από το εργαλείο. Πριν καθαρίσετε τον φορτιστή, αποσυνδέστε τον από την πρίζα.

- ◆ Να καθαρίζετε τακτικά τις εγκοπές εξαιρισμού του εργαλείου και του φορτιστή με μια μαλακή βούρτσα ή με ένα στεγνό πανί.
- ◆ Να καθαρίζετε τακτικά το περίβλημα του μοτέρ με ένα καθαρό και υγρό πανί. Μη χρησιμοποιείτε λιενατικά ή υγρά καθαρισμού που περιέχουν διαλυτικά.
- ◆ Να ανοίγετε τακτικά το τσοκ και να το χτυπάτε ελαφρά για να αφαιρείται η σκόνη από το εσωτερικό του.

Προστασία του περιβάλλοντος



Επιλεκτική περισυλλογή. Αυτό το προϊόν δεν πρέπει να απορρίπτεται μαζί με τα κοινά οικιακά απορρίμματα.

Εάν κάποια μέρα διαπιστώσετε ότι το προϊόν σας Black & Decker χρειάζεται αντικατάσταση, ή ότι δεν το χρειάζεστε άλλο, μην το απορρίψετε μαζί με τα κοινά οικιακά απορρίμματα αλλά κάντε αυτό το προϊόν διαθέσιμο για ανεξάρτητη αποκομιδή.



Η ανεξάρτητη συλλογή των μεταχειρισμένων προϊόντων και των υλικών συσκευασίας δίνει τη δυνατότητα ανακύκλωσης και επαναχρησιμοποίησης των υλικών. Με την επαναχρησιμοποίηση των ανακυκλωμένων υλικών αποτρέπεται η μόλυνση του περιβάλλοντος και μειώνεται η ζήτηση πρώτων υλών.

Οι κανονισμοί που ισχύουν στην περιοχή σας ενδέχεται να προβλέπουν την επιλεκτική περισυλλογή των ηλεκτρικών συσκευών που προέρχονται από νοικοκυριά σε κρατικές εγκαταστάσεις ή από τον έμπορο όταν αγοράσετε ένα καινούργιο προϊόν.

Η Black & Decker δίνει τη δυνατότητα ανακύκλωσης των προϊόντων της που έχουν συμπληρώσει τη διάρκεια ζωής τους. Για να χρησιμοποιήσετε αυτήν την υπηρεσία, επιστρέψτε το προϊόν σας σε οποιοδήποτε εξουσιοδοτημένο κέντρο επισκευών, όπου θα το παραλάβουν εκ μέρους μας.

Ενημερωθείτε για το πλησιέστερο εξουσιοδοτημένο κέντρο επισκευών της περιοχής σας, επικοινωνώντας με τα γραφεία της Black & Decker στη διεύθυνση που αναγράφεται στο εγχειρίδιο. Επίσης, για να πληροφορηθείτε για τα εξουσιοδοτημένα κέντρα επισκευών της Black & Decker και τους αρμόδιους των υπηρεσιών που παρέχονται μετά την πώληση, μπορείτε να ανατρέξετε στο Διαδίκτυο, στη διεύθυνση: www.2helpU.com.

Μπαταρίες



Οι μπαταρίες Black & Decker μπορούν να επαναφορτιστούν πολλές φορές. Στο τέλος της ωφέλιμης ζωής τους, απορρίψτε τις μπαταρίες με την πρέπουσα φροντίδα για το περιβάλλον μας:

- ◆ Χρησιμοποιήστε το εργαλείο μέχρι να αδειάσει εντελώς η μπαταρία και στη συνέχεια αφαιρέστε τη από το εργαλείο.
- ◆ Οι μπαταρίες ιόντων λιθίου είναι ανακυκλώσιμες. Παραδώστε τις σε οποιοδήποτε εξουσιοδοτημένο αντιπρόσωπο επισκευών ή στον πλησιέστερο σταθμό ανακύκλωσης της περιοχής σας.

Τεχνικά χαρακτηριστικά

	VPX1212	VPX1222
Τάση	Vdc 14	14
Ροπή εξόδου (μέγ.)	Nm 23	23
Ταχύτητα χωρίς φορτίο	σ.α.λ. 0-350 0-1200	0-350 0-1200
Μεγ. ικανότητα διάτρησης		
Χάλυβα	mm 10	10
Τσιμέντο	mm -	10
Ξύλο	mm 25	25
Βάρος	kg 1,4	1,47
Φορησιτής	τύπος δύο θυρών	δύο θυρών
Μπαταρία	τύπος 2 VPX™	2 VPX™
	μπαταρίες	μπαταρίες

Δήλωση συμμόρφωσης με την Ευρωπαϊκή Κοινότητα

VPX1212 VPX1222

Η Black & Decker δηλώνει ότι τα προϊόντα αυτά συμμορφώνονται με:
98/37/ΕΚ, EN 60745

Στάθμη ηχητικής πίεσης, μετρημένης σύμφωνα με το πρότυπο EN 60745:

Ηχητική πίεση (L_{pA}) 69.86 dB(A), αβεβαιότητα (K) 3 dB(A)
Ακουστική ισχύς (L_{WA}) 80.86 dB(A), αβεβαιότητα (K) 3 dB(A)

Οι συνολικές τιμές δόνησης (διανυσματικό άθροισμα τριών αξόνων) καθορίστηκαν σύμφωνα με το πρότυπο EN 60745:

Βίδωμα χωρίς κρούση (a_{rh}) = 0.869 m/s²,
αβεβαιότητα (K) = 1.5 m/s²

Διάτρηση μετάλλου (a_{rh}) = 0.628 m/s², αβεβαιότητα (K) = 1.5 m/s²

Κρουστική διάτρηση σε τσιμέντο (a_{rh}) = 6.642 m/s²,
αβεβαιότητα (K) = 1.5 m/s²

Ο κάτωθι υπογεγραμμένος είναι υπεύθυνος για την κατάρτιση του τεχνικού φακέλου και δηλώνει τα παρόντα εκ μέρους της Black & Decker.



Kevin Hewitt
Διευθυντής Εξυπηρέτησης Πελατών
Spenningmoor, County Durham DL16 6JG,
Ηνωμένο Βασίλειο
14-10-2007

Εγγύηση

Η Black & Decker είναι σίγουρη για την ποιότητα των προϊόντων της και παρέχει σημαντική εγγύηση. Η παρούσα γραπτή εγγύηση αποτελεί πρόσθετο δικαίωμά σας και δεν ζημιώνει τα νόμιμα δικαιώματά σας. Η εγγύηση ισχύει εντός της επικράτειας των Κρατών Μελών της Ευρωπαϊκής Ένωσης και της Ευρωπαϊκής Ζώνης Ελευθέρων Συναλλαγών.

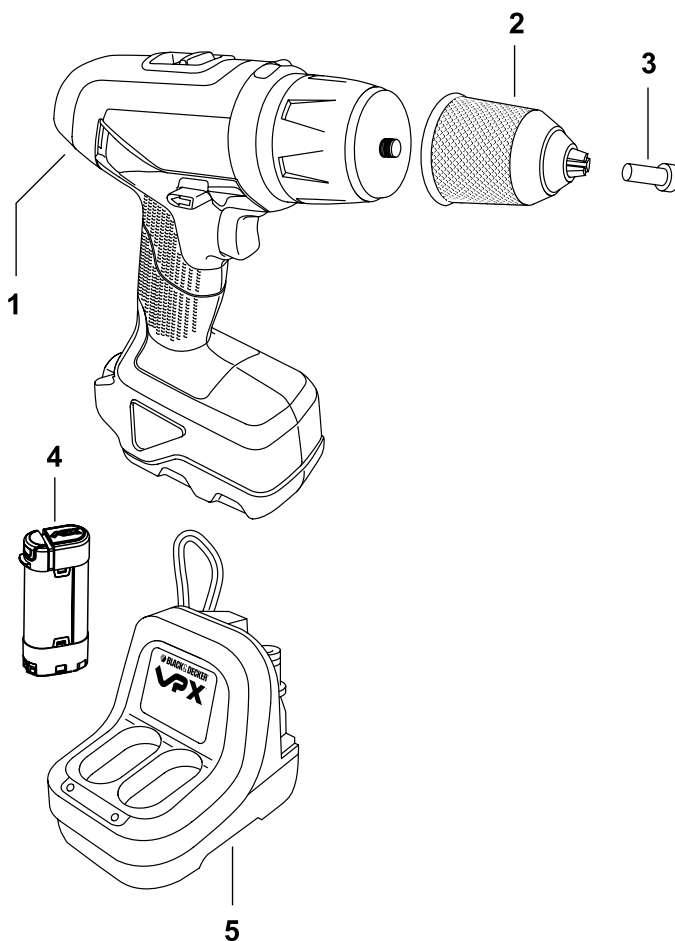
Σε περίπτωση που κάποιο προϊόν της Black & Decker παρουσιάσει βλάβη εξαιτίας ελαττωματικών υλικών, ποιότητας εργασίας ή έλλειψης συμφωνίας με τις προδιαγραφές εντός 24 μηνών από την ημερομηνία αγοράς, η Black & Decker εγγυάται την αντικατάσταση των ελαττωματικών τμημάτων, την επισκευή προϊόντων που έχουν υποστεί εύλογη φθορά λόγω χρήσης ή την αντικατάσταση των προϊόντων προκειμένου να εξασφαλίσει την ελάχιστη ενόχληση στους πελάτες της, εκτός εάν:

- ♦ Το προϊόν έχει χρησιμοποιηθεί σε εργασιακό, επαγγελματικό περιβάλλον ή αν έχει ενοικιαστεί.
- ♦ Έχει γίνει εσφαλμένη χρήση του προϊόντος ή έχει παραμεληθεί.
- ♦ Το προϊόν έχει υποστεί βλάβη από άλλα αντικείμενα, από ουσίες ή λόγω ατυχήματος.
- ♦ Έχει γίνει προσπάθεια επισκευής από μη εξουσιοδοτημένα κέντρα επισκευών ή από προσωπικό που δεν ανήκει στο προσωπικό της Black & Decker.

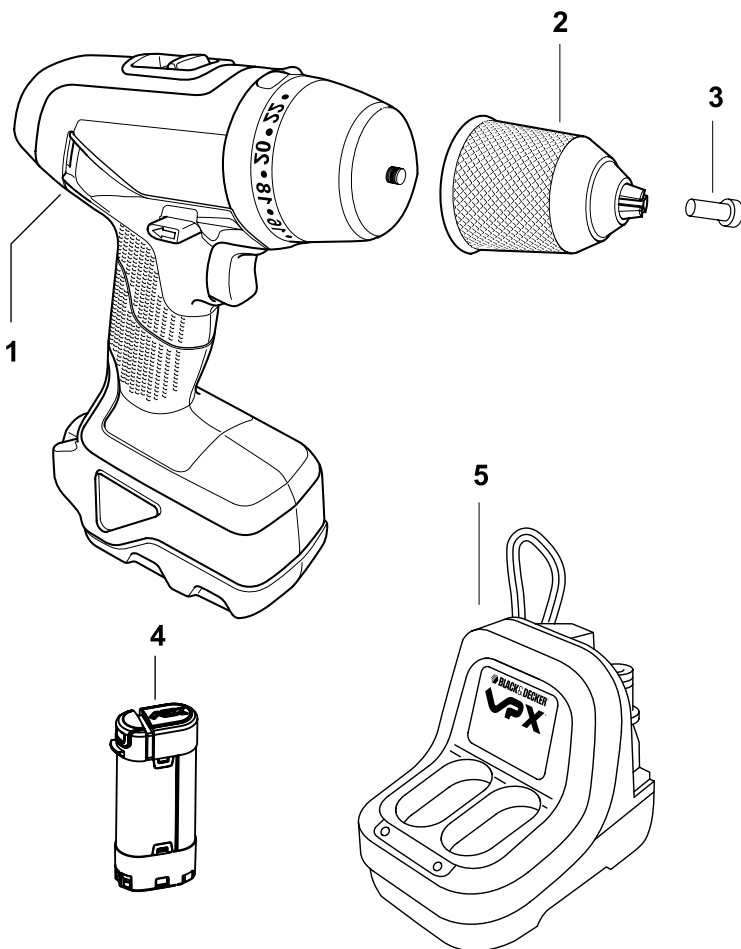
Για να ισχύσει η εγγύηση, πρέπει να υποβάλετε απόδειξη αγοράς στον πωλητή ή το εξουσιοδοτημένο κέντρο επισκευών. Ενημερωθείτε για το πλησιέστερο εξουσιοδοτημένο κέντρο επισκευών της περιοχής σας, επικοινωνώντας με τα γραφεία της Black & Decker στη διεύθυνση που αναγράφεται στο εγχειρίδιο. Επίσης, για να πληροφορηθείτε για τα εξουσιοδοτημένα κέντρα επισκευών της Black & Decker και τους αρμόδιους των υπηρεσιών που παρέχονται μετά την πώληση, μπορείτε να ανατρέξετε στο Διαδίκτυο, στη διεύθυνση: www.2helpU.com

Παρακαλούμε επισκεφθείτε την ιστοσελίδα μας www.blackanddecker.eu για να καταχωρήσετε το νέο σας προϊόν Black & Decker και για να ενημερώσετε για τα νέα προϊόντα και τις ειδικές προσφορές. Περισσότερες πληροφορίες σχετικά με τη μάρκα Black & Decker και τη σειρά των προϊόντων μας θα βρείτε στη διεύθυνση www.blackanddecker.eu.

Partial support - Only parts shown available
Nur die aufgeführten teile sind lieferbar
Reparation partielle - Seules les pieces indiquees sont disponibles
Supporto parziale - Sono disponibili soltanto le parti evidenziate
Solo estan disponibles las peizas listadas
So se encontram disponiveis as pecas listadas
Gedeeltelijke ondersteuning - alleen de getoonde onderdelen
zijn beschikbaar



Partial support - Only parts shown available
Nur die aufgeführten teile sind lieferbar
Réparation partielle - Seules les pièces indiquées sont disponibles
Supporto parziale - Sono disponibili soltanto le parti evidenziate
Solo estan disponibles las piezas listadas
So se encontram disponíveis as peças listadas
Gedeeltelijke ondersteuning - alleen de getoonde onderdelen zijn beschikbaar



België/Belgique	Black & Decker (Belgium) N.V. Nieuwlandlaan 7, I.Z. Aarschot B156 3200 Aarschot	Tel. 016 68 91 00 Fax 016 68 91 11
Danmark	Black & Decker Sluseholmen 2-4, 2450 København SV Internet: www.blackanddecker.dk	Tel. 70 20 15 10 Fax 70 22 49 10
Deutschland	Black & Decker GmbH Black & Decker Str. 40, D - 65510 Idstein	Tel. 06126/21 - 0 Fax 06126/21 29 80
Ελλάδα	Black & Decker (Ελλάς) A.E. Στράβωνος 7 & Λεωφ. Βουλιαγμένης 159 166 74 Γλυφάδα - Αθήνα	Τηλ. 210 8981616 Φαξ 210 8983285 www.blackanddecker.eu
España	Black & Decker Ibérica, S.C.A. Parc de Negocis "Mas Blau" Edificio Muntadas, c/Bergadá, 1, Of. A6 08820 El Prat de Llobregat (Barcelona)	Tel. 934 797 400 Fax 934 797 419
France	Black & Decker (France) S.A.S. 5 allée des Hêtres, B.P. 30084 69579 Limonest Cédex	Tel. 04 72 20 39 20 Fax 04 72 20 39 00
Helvetia	ROFO AG Gewerbezone Seeblick 3213 Kleinbödingen	Tel. 026-6749391 Fax 026-6749394
Italia	Black & Decker Italia SpA Viale Elvezia 2 20052 Monza (MI)	Tel. 039-23871 Fax 039-2387592/2387594 Numero verde 800-213935
Nederland	Black & Decker Benelux Joulehof 12, 4622 RG Bergen op Zoom	Tel. 0164 - 283000 Fax 0164 - 283100
Norge	Black & Decker (Norge) A/S Postboks 4814, Nydalen, 0422 Oslo Internet: www.blackanddecker.no	Tlf. 22 90 99 00 Fax 22 90 99 01
Österreich	Black & Decker Vertriebsges.m.b.H Oberlaaerstraße 246, A1100 Wien	Tel. 01 66116-0 Fax 01 66116-14
Portugal	Black & Decker Rua Egas Moniz 173 S. João do Estoril 2766-651 Estoril	Tel. 214667500 Fax 214667580
Suomi	Black & Decker Oy Keilasatama 3, 02150 Espoo Black & Decker Oy, Kägelhamnen 3, 02150 Esbo	Puh. 010 400 430 Faksi (09) 2510 7100 Tel. 010 400 430 Fax (09) 2510 7100
Sverige	Black & Decker AB Box 94, 431 22 Mölndal	Tel. 031 68 60 60 Fax 031 68 60 80
United Kingdom	Black & Decker 210 Bath Road Slough, Berkshire SL1 3YD	Tel. 01753 511234 Fax 01753 551155 Helpline 01753 574277
Middle East & Africa	Black & Decker (Overseas) A.G. PB 5420, Dubai, United Arab Emirates	Tel. +971 4 2826464 Fax +971 4 2826466

Dealer address
Händleradresse
Cachet du revendeur
Indirizzo del rivenditore
Adres van de dealer
Dirección del detallista
Morada do revendedor
Återförsäljarens adress
Forhandlerens adresse
Forhandler adresse
Jälleenmyyjän osoite
Διεύθυνση αντιπροσώπου

◆ Name ◆ Name ◆ Nom ◆ Nome
◆ Naam ◆ Nombre ◆ Nome ◆ Namn
◆ Navn ◆ Nimi ◆ Διεύθυνση:

◆ Address ◆ Adresse ◆ Indirizzo ◆
Adres ◆ Dirección ◆ Morada ◆ Adresse ◆
Adresse ◆ Adresse ◆ Osoite ◆ Διεύθυνση:

◆ Town ◆ Ort ◆ Ville ◆ Città ◆ Plaats
◆ Ciudad ◆ Localidade ◆ Ort ◆ By
◆ Paikkakunta ◆ Πόλη:

◆ Postal code ◆ Postleitzahl ◆ Code postal
◆ Codice postale ◆ Postcode
◆ Código ◆ Código postal ◆ Postnr.
◆ Postnr. ◆ Postnr. ◆ Postnummero
◆ Κωδικός

Date of purchase
Kaufdatum
Date d'achat
Data d'acquisto
Aankoopdatum
Fecha de compra
Data de compra
Inköpsdatum
Imkiöpssdato
Indkøbsdato
Ostopäivä
Ημερομηνία αγοράς

◆ Yes ◆ Ja ◆ Oui ◆ Si ◆ Ja ◆ Si
◆ Sim ◆ Ja ◆ Ja ◆ Ja ◆ Kyllä ◆ Nai

◆ No ◆ Nein ◆ Non ◆ No ◆ Nee
◆ No ◆ Não ◆ Nej ◆ Nei ◆ Nej
◆ Ei ◆ Oyi

◆ Dealer address ◆ Händleradresse
◆ Cachet du revendeur ◆ Indirizzo del
rivenditore ◆ Adres van de dealer
◆ Dirección del detallista ◆ Morada do
revendedor ◆ Återförsäljarens adress
◆ Forhandlerens adresse ◆ Forhandler adresse
◆ Jälleenmyyjän osoite
◆ Διεύθυνση αντιπροσώπου

Cat. no.:



◆ Is this tool a gift? ◆ Ist dieses Gerät ein
Geschenk? ◆ S'agit-il d'un cadeau? ◆ Si tratta
di un regalo? ◆ Kreeg u de machine als cadeau?
◆ ¿Ha recibido usted esta herramienta como
regalo? ◆ Recebeu esta ferramenta como
presente? ◆ Är verktyget en gåva?
◆ Er verktyget en gave? ◆ Er verktojet en
gave? ◆ Onko kone lahja? ◆ Το εργαλείο είναι δώρο?

◆ Yes ◆ Ja ◆ Oui ◆ Si ◆ Ja ◆ Si
◆ Sim ◆ Ja ◆ Ja ◆ Ja ◆ Kyllä ◆ Nai
 ◆ No ◆ Nein ◆ Non ◆ No ◆ Nee
◆ No ◆ Não ◆ Nej ◆ Nei ◆ Nej
◆ Ei ◆ Oyi

◆ Is this tool your first purchase? ◆ Ist dieses
Gerät ein Erstkauf? ◆ Est-ce un 1er achat?
◆ Questo prodotto è il suo primo acquisto?
◆ Is deze machine uw eerste aankoop?
◆ ¿Es esta herramienta la primera de este tipo?
◆ Esta herramienta é a primeira compra?
◆ Är detta ditt första B&D-verktyg? ◆ Er dette
ditt første B&D verktoy? ◆ Er dette dit første
B&D verktoej? ◆ Onko tämä ensimmäinen B&D-
koneesi? ◆ Είναι το εργαλείο αυτό η πρώτη
σας αγορά? ◆

◆ Data protection act: Tick the box if you prefer
not to receive further information.
◆ Bitte ankreuzen, falls Sie keine weiteren
Informationen erhalten möchten. ◆ Si vous ne
souhaitez pas recevoir d'informations, cochez
cette case. ◆ Barrate la casella se non
desiderate ricevere informazioni.
◆ A.u.b. dit vakje aankruisen indien u geen
informatie wenst te ontvangen.
◆ Señale en la casilla sino quiere recibir
información. ◆ Por favor, assinale com uma
cruz se não desejar receber informação.
◆ Vänligen kryssa för i rutan om Ni inte vill ha
information.
◆ Vennligst kryss av dersom du ikke ønsker
informasjon. ◆ Venligst sæt kryds i ruden
søfremt De ikke måtte ønske at modtage
information.
◆ Merkitkää rasti ruutuun, mikäli ette halua
vastaaottaa informaatiota.
◆ Παράκαλεστε να σημειώσετε εάν δεν θέλετε
να प्राप्तείτε πληροφορίες.

◆ Data protection act: Tick the box if you prefer
not to receive further information.
◆ Bitte ankreuzen, falls Sie keine weiteren
Informationen erhalten möchten. ◆ Si vous ne
souhaitez pas recevoir d'informations, cochez
cette case. ◆ Barrate la casella se non
desiderate ricevere informazioni.
◆ A.u.b. dit vakje aankruisen indien u geen
informatie wenst te ontvangen.
◆ Señale en la casilla sino quiere recibir
información. ◆ Por favor, assinale com uma
cruz se não desejar receber informação.
◆ Vänligen kryssa för i rutan om Ni inte vill ha
information.
◆ Vennligst kryss av dersom du ikke ønsker
informasjon. ◆ Venligst sæt kryds i ruden
søfremt De ikke måtte ønske at modtage
information.
◆ Merkitkää rasti ruutuun, mikäli ette halua
vastaaottaa informaatiota.
◆ Παράκαλεστε να σημειώσετε εάν δεν θέλετε
να प्राप्तείτε πληροφορίες.

- ◆ GUARANTEE CARD
- ◆ GARANTIEKAART
- ◆ GARANTI KORT
- ◆ GARANTIEKARTE
- ◆ TARJETA DE GARANTÍA
- ◆ GARANTI KORT
- ◆ CARTE DE GARANTIE
- ◆ CARTÃO DE GARANTIA
- ◆ TAKUUKORTTI
- ◆ TAGLIANDO DI GARANZIA
- ◆ GARANTIBEVIS
- ◆ KAPTA EITTYHSHZ



English	Please complete this section immediately after the purchase of your tool and send it to Black & Decker in your country. Bitte schneiden Sie diesen Abschnitt ab, stecken ihn in einen frankierten Umschlag und schicken ihn an die Black & Decker Adresse Ihres Landes.	Português	Por favor, recorte esta parte, coloque-a num envelope selado e endereçado e envie-o logo após a compra do seu produto para o endereço da Black & Decker do seu país. Var vänlig klipp ur denna del och sänd den i ett frankerat kuvert till Black & Deckers adress i Ditt land. Vennligst klipp ut denne delen umiddelbart etter du har pakket ut ditt produkt og legg det i en adressert konvolutt til Black & Decker (Norge) AS. Vennligst klip denne del ud og send frankeret til Black & Decker i ditt land. Leikkaa iriti tämä osa, laita se kuoreen ja postita kuori paikalliseen Black & Decker osoitteeseen. Παράκαλώ κόψετε αυτό το κομμάτι και τοποθετήστε το σε φέλιωσ ημετά την αγορά του προϊόντος σας στην διεύθυνση της Black & Decker στην Ελλάδα.
Deutsch	Bitte schneiden Sie diesen Abschnitt ab, stecken ihn in einen frankierten Umschlag und schicken ihn an die Black & Decker Adresse Ihres Landes.	Norsk	Vennligst klipp ut denne delen umiddelbart etter du har pakket ut ditt produkt og legg det i en adressert konvolutt til Black & Decker (Norge) AS.
Français	Découpez cette partie et envoyez-la sous enveloppe timbrée à l'adresse de Black & Decker dans votre pays. ceci immédiatement après votre achat.	Dansk	Vennligst klip denne del ud og send frankeret til Black & Decker i ditt land.
Italiano	Per favore ritagliate questa parte, inseritela in una busta con francobollo e spedite-la subito dopo l'acquisto del prodotto all'indirizzo della Black & Decker nella vostra nazione.	Suomi	Leikkaa iriti tämä osa, laita se kuoreen ja postita kuori paikalliseen Black & Decker osoitteeseen.
Nederlands	Knip dit gedeelte uit en zend het direct na aankoop in een gefrankeerde, geaddresseerde envelop naar het adres van Black & Decker in uw land.	Ελληνικά	Παράκαλώ κόψετε αυτό το κομμάτι και τοποθετήστε το σε φέλιωσ ημετά την αγορά του προϊόντος σας στην διεύθυνση της Black & Decker στην Ελλάδα.
Español	Después de haber comprado su herramienta envíe usted, por favor, esta tarjeta a la central de Black & Decker en su país.		