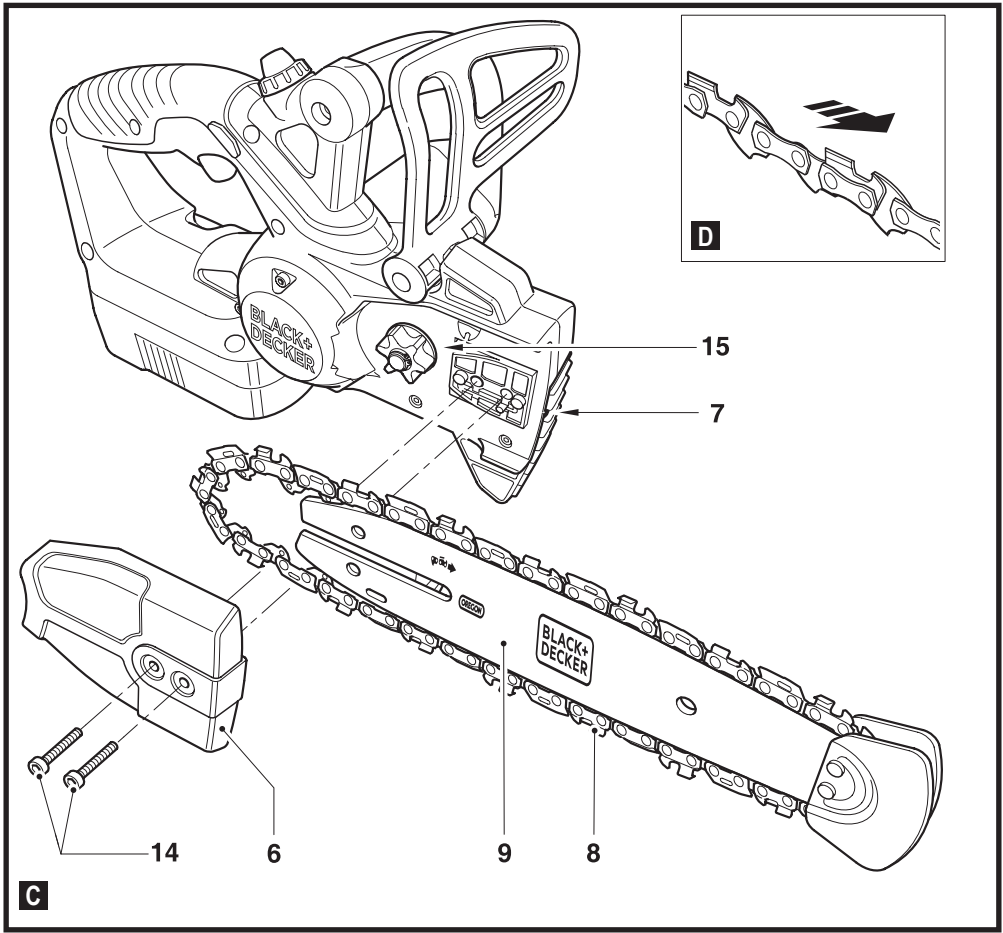
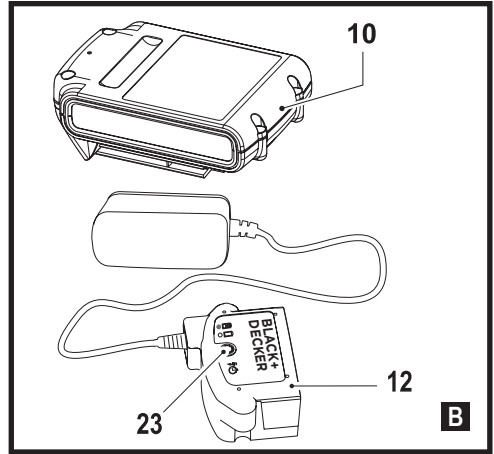
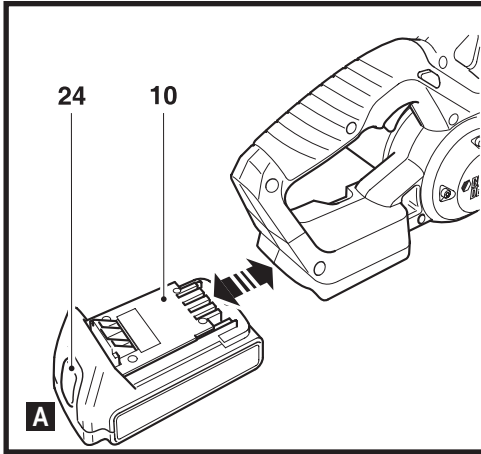
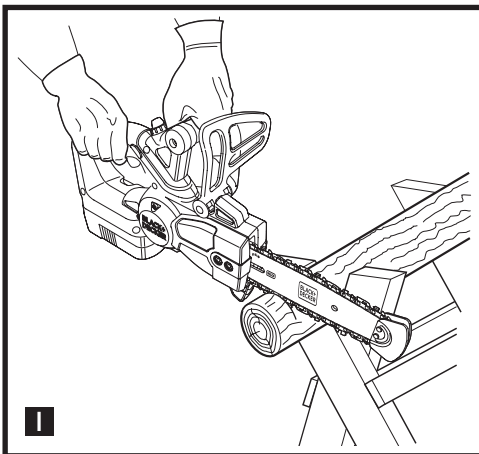
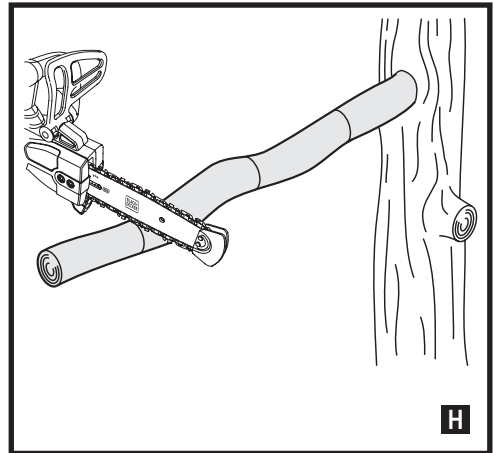
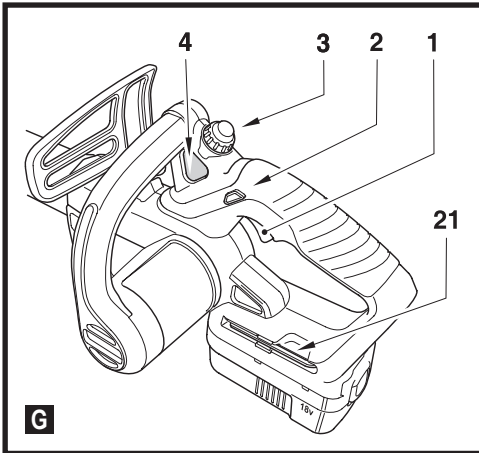
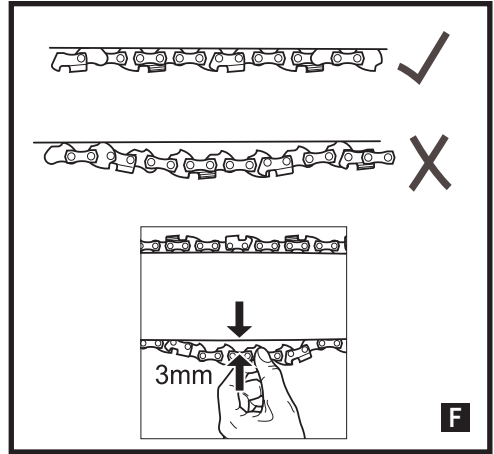
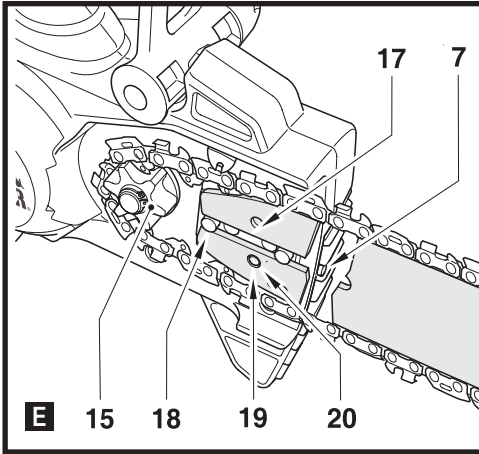


English (<i>original instructions</i>)	4
Deutsch (<i>übersetzt von den originalanweisungen</i>)	14
Français (<i>traduction de la notice d'instructions originale</i>)	24
Italiano (<i>tradotto dalle istruzioni originali</i>)	35
Nederlands (<i>vertaald vanuit de originele instructies</i>)	45
Español (<i>traducido de las instrucciones originales</i>)	55
Português (<i>traduzido das instruções originais</i>)	66
Svenska (<i>översatt från de ursprungliga instruktionerna</i>)	77
Norsk (<i>oversatt fra de originale instruksjonene</i>)	85
Dansk (<i>oversat fra original brugsvejledning</i>)	94
Suomi (<i>käännetty alkuperäisestä käyttöohjeesta</i>)	103
Ελληνικά (<i>μετάφραση από τις πρωτότυπες οδηγίες</i>)	111





Intended use

Your BLACK+DECKER™, GKC1820L 20 Compact Chainsaw has been designed for light duty cutting and pruning. This tool is intended for consumer use only.

Safety instructions

General power tool safety warnings



Warning! Read all safety warnings, instructions, illustrations and specifications provided with power tool. Failure to follow all instructions listed below may result in electric shock, fire and/or serious injury.

Save all warnings and instructions for future reference.

The term "power tool" in all of the warnings listed below refers to your mains operated (corded) power tool or battery operated (cordless) power tool.

1. Work area safety

- a. **Keep work area clean and well lit.** Cluttered or dark areas invite accidents.
- b. **Do not operate power tools in explosive atmospheres, such as in the presence of flammable liquids, gases or dust.** Power tools create sparks which may ignite the dust or fumes.
- c. **Keep children and bystanders away while operating a power tool.** Distractions can cause you to lose control.

2. Electrical safety

- a. **Power tool plugs must match the outlet. Never modify the plug in any way. Do not use any adapter plugs with earthed (grounded) power tools.** Unmodified plugs and matching outlets will reduce risk of electric shock.
- b. **Avoid body contact with earthed or grounded surfaces such as pipes, radiators, ranges and refrigerators.** There is an increased risk of electric shock if your body is earthed or grounded.
- c. **Do not expose power tools to rain or wet conditions.** Water entering a power tool will increase the risk of electric shock.
- d. **Do not abuse the cord. Never use the cord for carrying, pulling or unplugging the power tool. Keep cord away from heat, oil, sharp edges or moving parts.** Damaged or entangled cords increase the risk of electric shock.
- e. **When operating a power tool outdoors, use an extension cord suitable for outdoor use.** Use of a cord suitable for outdoor use reduces the risk of electric shock.
- f. **If operating a power tool in a damp location is unavoidable, use a residual current device (RCD) protected supply.** Use of an RCD reduces the risk of electric shock.

3. Personal safety

- a. **Stay alert, watch what you are doing and use common sense when operating a power tool. Do not use a power tool while you are tired or under the influence of drugs, alcohol or medication.** A moment of inattention while operating power tools may result in serious personal injury.
- b. **Use personal protective equipment. Always wear eye protection.** Protective equipment such as a dust mask, non-skid safety shoes, hard hat, or hearing protection used for appropriate conditions will reduce personal injuries.

- c. **Prevent unintentional starting. Ensure the switch is in the off-position before connecting to power source and/or battery pack, picking up or carrying the tool.** Carrying power tools with your finger on the switch or energising power tools that have the switch on invites accidents.
- d. **Remove any adjusting key or wrench before turning the power tool on.** A wrench or a key left attached to a rotating part of the power tool may result in personal injury.
- e. **Do not overreach. Keep proper footing and balance at all times.** This enables better control of the power tool in unexpected situations.
- f. **Dress properly. Do not wear loose clothing or jewellery. Keep your hair, clothing and gloves away from moving parts.** Loose clothes, jewellery or long hair can be caught in moving parts.
- g. **If devices are provided for the connection of dust extraction and collection facilities, ensure these are connected and properly used.** Use of dust collection can reduce dust-related hazards.
- h. **Do not let familiarity gained from frequent use of tools allow you to become complacent and ignore tool safety principles.**
A careless action can cause severe injury within a fraction of a second.

4. Power tool use and care

- a. **Do not force the power tool. Use the correct power tool for your application.** The correct power tool will do the job better and safer at the rate for which it was designed.
- b. **Do not use the power tool if the switch does not turn it on and off.** Any power tool that cannot be controlled with the switch is dangerous and must be repaired.
- c. **Disconnect the plug from the power source and/or the battery pack from the power tool before making any adjustments, changing accessories, or storing power tools.** Such preventive safety measures reduce the risk of starting the power tool accidentally.
- d. **Store idle power tools out of the reach of children and do not allow persons unfamiliar with the power tool or these instructions to operate the power tool.** Power tools are dangerous in the hands of untrained users.
- e. **Maintain power tools. Check for misalignment or binding of moving parts, breakage of parts and any other condition that may affect the power tools operation. If damaged, have the power tool repaired before use.** Many accidents are caused by poorly maintained power tools.
- f. **Keep cutting tools sharp and clean.** Properly maintained cutting tools with sharp cutting edges are less likely to bind and are easier to control.

- g. Use the power tool, accessories and tool bits etc. in accordance with these instructions, taking into account the working conditions and the work to be performed. Use of the power tool for operations different from those intended could result in a hazardous situation.
- h. Keep handles and grasping surfaces dry, clean and free from oil and grease. Slippery handles and grasping surfaces do not allow for safe handling and control of the tool in unexpected situations.
5. **Battery tool use and care**
- a. **Recharge only with the charger specified by the manufacturer.** A charger that is suitable for one type of battery pack may create a risk of fire when used with another battery pack.
- b. **Use power tools only with specifically designated battery packs.** Use of any other battery packs may create a risk of injury and fire.
- c. **When battery pack is not in use, keep it away from other metal objects, like paper clips, coins, keys, nails, screws, or other small metal objects, that can make a connection from one terminal to another.** Shorting the battery terminals together may cause burns or a fire.
- d. **Under abusive conditions, liquid may be ejected from the battery; avoid contact. If contact accidentally occurs, flush with water. If liquid contacts eyes, additionally seek medical help.** Liquid ejected from the battery may cause irritation or burns.
- e. **Do not use a battery pack or tool that is damaged or modified.** Damaged or modified batteries may exhibit unpredictable behaviour resulting in fire, explosion or risk of injury.
- f. **Do not expose a battery pack or tool to fire or excessive temperature.** Exposure to fire or temperature above 130 °C may cause explosion. NOTE: The temperature „130 °C“ can be replaced by the temperature „265 °F“.
- g. **Follow all charging instructions and do not charge the battery pack or tool outside the temperature range specified in the instructions.** Charging improperly or at temperatures outside the specified range may damage the battery and increase the risk of fire.
6. **Service**
- a. **Have your power tool serviced by a qualified repair person using only identical replacement parts.** This will ensure that the safety of the power tool is maintained.
- b. **Never service damaged battery packs.** Service of battery packs should only be performed by the manufacturer or authorized service providers (only used for battery tools).

General chain saw safety warnings



Warning! Additional safety warnings for chainsaws

- ◆ **Keep all parts of the body away from the saw chain when the chainsaw is operating. Before you start the chainsaw, make sure the saw chain is not contacting anything.** A moment of inattention while operating chain saws may cause entanglement of your clothing or body with the chain saw.
- ◆ **Always hold the chainsaw with your right hand on the rear handle and your left hand on the front handle.** Holding the chainsaw with a reversed hand configuration increases the risk of personal injury and should never be done.
- ◆ **Hold the chain saw by insulated gripping surfaces only, because the saw chain may contact hidden wiring.** Saw chains contacting a "live" wire may make exposed metal parts of the chain saw "live" and could give the operator an electric shock.
- ◆ **Wear eye protection. Further protective equipment for hearing, head, hands, legs and feet is recommended.** Adequate protective equipment will reduce personal injury from flying debris or accidental contact with the saw chain.
- ◆ **Do not operate a chain saw in a tree, on a ladder, from a rooftop, or any unstable support.** Operation of a chain saw in this manner could result in serious personal injury.
- ◆ **Always keep proper footing and operate the chain saw only when standing on fixed, secure and level surface.** Slippery or unstable surfaces such as ladders may cause a loss of balance or control of the chainsaw.
- ◆ **When cutting a limb that is under tension be alert for spring back.** When the tension in the wood fibres is released the spring loaded limb may strike the operator and/or throw the chain saw out of control.
- ◆ **Use extreme caution when cutting brush and saplings.** The slender material may catch the saw chain and be whipped toward you or pull you off balance.
- ◆ **Carry the chain saw by the front handle with the chain saw switched off and away from your body. When transporting or storing the chainsaw always fit the guide bar cover.** Proper handling of the chain saw will reduce the likelihood of accidental contact with the moving saw chain.
- ◆ **Follow instructions for lubricating, chain tensioning and changing accessories.** Improperly tensioned or lubricated chain may either break or increase the chance for kickback
- ◆ **Cut wood only. Do not use chainsaw for purposes not intended. For example: do not use the chainsaw for cutting plastic, masonry or non-wood building materials.**

Use of the chainsaw for operations different than intended could result in a hazardous situation.

- ◆ **This chain saw is not intended for tree felling.** Use of the chain saw for operations different than intended could result in serious injury to the operator or bystanders.
- ◆ **Follow all instructions when clearing jammed material, storing or servicing the chain saw. Make sure the switch is off and the battery pack is removed.** Unexpected actuation of the chain saw while clearing jammed material or servicing may result in serious personal injury.

Additional power tool safety warnings



Warning! Additional safety warnings for compact chainsaws.

The intended use is described in this instruction manual. Do not use the tool for purposes not intended; for example do not use the tool to fell trees. The use of any accessory or attachment or performance of any operation with this tool other than those recommended in this instruction manual may present a risk of personal injury.

- ◆ Wear close fitting and protective clothing including a safety helmet with visor/goggles, ear protectors, non-slip safety footwear, protective bib trousers and strong leather gloves.
- ◆ Always position yourself out of the path of falling branches.
- ◆ The safe distance between a branch to be felled and bystanders, buildings and other objects is at least 2 1/2 times the length of the branch. Any bystander, building or object within this distance is at risk from being struck by the falling branch.
- ◆ Pre-plan a safe exit from falling branches. Ensure the exit route is clear of obstacles that would prevent or hinder movement. Remember wet grass and freshly cut bark is slippery.
- ◆ Ensure someone is nearby (but at a safe distance) in case of an accident.
- ◆ Do not use the tool while standing in a tree, on a ladder or on any other unstable surface.
- ◆ Keep proper footing and balance at all times.
- ◆ Hold the tool firmly with both hands when the motor is running.
- ◆ Do not let the moving chain contact any object at the tip of the guide bar.
- ◆ Start cutting only with the chain moving at full speed.
- ◆ Do not attempt to enter a previous cut. Always make a fresh cut.
- ◆ Watch for shifting branches or other forces that could close a cut and pinch or fall into the chain.
- ◆ Do not attempt to cut a branch when the diameter of the branch exceeds the cutting length of the tool.

- ◆ Always remove the battery from the tool and place the chain cover assembly over the chain when storing or transporting the tool.
- ◆ Keep the saw chain sharp and properly tensioned. Check the tension at regular intervals.
- ◆ Switch the tool off, allow the chain to stop and remove the battery from the tool before carrying out any adjustment, servicing or maintenance.
- ◆ Only use genuine replacement parts and accessories.
- ◆ **Keep handles dry, clean, and free from oil and grease.** Greasy, oily handles are slippery causing loss of control.
- ◆ **The spiked bumper may become sharp during the life of the product. Handle with care.**
- ◆ **When handling the product the chain bar may become hot, handle with care.**

Causes and operator prevention of kickback

Kickback may occur when the nose or tip of the guide bar touches an object, or when the wood closes in and pinches the saw chain in the cut.

Tip contact in some cases may cause a sudden reverse reaction, kicking the guide bar up and back towards the operator.

Pinching the saw chain along the top of the guide bar may push the guide bar rapidly back towards the operator. Either of these reactions may cause you to lose control of the chainsaw which could result in serious personal injury. Do not rely exclusively upon the safety devices built into your chainsaw. As a chainsaw user, you should take several steps to keep your cutting jobs free from accident or injury. Kickback is the result of tool misuse and / or incorrect operating procedures or conditions and can be avoided by taking proper precautions as given below:

- ◆ **Maintain a firm grip, with thumbs and fingers encircling the chainsaw handles. With both hands on the chainsaw, position your body and arm to allow you to resist kickback forces.** Kickback forces can be controlled by the operator, if proper precautions are taken. Do not let go of the chainsaw.
- ◆ **Do not overreach and do not cut above shoulder height.** This helps prevent unintended tip contact and enables better control of the chainsaw in unexpected situations.
- ◆ **Only use replacement guide bars and chains specified by the manufacturer.** Incorrect replacement guide bars and chains may cause chain breakage and/ or kickback.
- ◆ **Follow the manufacturer's sharpening and maintenance instructions for the saw chain.** Decreasing the depth gauge height can lead to increased kickback.

Safety recommendations for the chainsaw

- ◆ We strongly recommend that first time users obtain practical instruction in the use of the chainsaw and protective equipment from an experienced user. Initial practice should be completed sawing logs on a saw horse or cradle.
- ◆ We recommend that when carrying the chainsaw that you remove the battery and make sure that the saw chain is facing backwards.
- ◆ Maintain your chainsaw when not in use. Do not store your chainsaw for any length of time without first removing the saw chain and guide bar which should be kept immersed in oil. Store all parts of your chainsaw in a dry, secure place out of reach of children.
- ◆ We recommend you drain the oil reservoir prior to storage.
- ◆ Be sure of your footing and pre-plan a safe exit from a falling tree or branches.
- ◆ Use wedges to help control felling and prevent binding the guide bar and saw chain in the cut.
- ◆ Saw chain care. Keep the saw chain sharp and snug on the guide bar. Ensure the saw chain and guide bar are clean and well oiled. Keep handles dry, clean and free from oil and grease.

Kickback can be caused by:

- ◆ Striking branches or other objects accidentally with a tip of the saw while the saw chain is moving.
- ◆ Striking metal, cement or any other hard material near the wood, or buried in the wood.
- ◆ A dull or loose chain.
- ◆ Cutting above shoulder height.
- ◆ Lack of attention when holding or guiding the chainsaw while cutting.
- ◆ Over-reaching. Keep proper footing and balance at all times and do not overreach.
- ◆ Do not try to insert into a previous cut. As this could cause kickback. Make a fresh cut every time.
- ◆ We strongly recommend you do not attempt to operate your chainsaw while in a tree, on a ladder or on any other unstable surface. If you decide to do so, be advised that these positions are extremely dangerous.
- ◆ When cutting a branch that is under tension, be alert for spring back so that you will not be struck when the tension is released.

Avoid cutting:

- ◆ Prepared timber.
- ◆ Into the ground.
- ◆ Into wire fences, nails, etc.
- ◆ Into small sized brush and saplings because slender material may catch the saw chain and be whipped towards you, or pull you off balance.
- ◆ Do not use your chainsaw above shoulder height.

- ◆ Ensure someone is nearby (but at a safe distance) in case of an accident.
- ◆ If for any reason you have to touch the saw chain, make sure your chainsaw is switched off and the battery is removed.
- ◆ The noise from this product can exceed 80 dB(A). We therefore recommend you take appropriate measures for the protection of hearing

Residual risks.

Additional residual risks may arise when using the tool which may not be included in the enclosed safety warnings. These risks can arise from misuse, prolonged use etc.

Even with the application of the relevant safety regulations and the implementation of safety devices, certain residual risks can not be avoided. These include:

- ◆ Injuries caused by touching any rotating/moving parts.
- ◆ Injuries caused when changing any parts, blades or accessories.
- ◆ Injuries caused by prolonged use of a tool. When using any tool for prolonged periods ensure you take regular breaks.
- ◆ Impairment of hearing.
- ◆ Health hazards caused by breathing dust developed when using your tool (example:- working with wood, especially oak, beech and MDF.)

Vibration

The declared vibration emission values and the declared noise emission value(s) stated in the technical data and the declaration of conformity have been measured in accordance with a standard test method provided by EN 62841 and may be used for comparing one tool with another. The declared vibration emission value and the declared noise emission value(s) may also be used in a preliminary assessment of exposure.

Warning! The vibration and noise emission value during actual use of the power tool can differ from the declared value depending on the ways in which the tool is used. The vibration level may increase above the level stated.

When assessing vibration exposure to determine safety measures required by 2002/44/EC to protect persons regularly using power tools in employment, an estimation of vibration exposure should consider, the actual conditions of use and the way the tool is used, including taking account of all parts of the operating cycle such as the times when the tool is switched off and when it is running idle in addition to the trigger time.

Labels on tool

The following pictograms are shown on the tool along with the date code:



Warning! To reduce the risk of injury, the user must read the instruction manual.



Do not use your saw in wet conditions or expose it to rain.



Always wear head, hearing and eye protection.



Always wear gloves.



Always wear non-slip safety footwear.



Always hold a chainsaw firmly with both hands.



Pay attention to the kickback of the chainsaw and avoid contact with the tip of the chain bar.



Do not use chainsaw one handed"



Beware of falling objects. Keep bystanders away



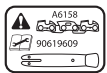
To ensure continued safe operation, check the chain tension as described in this manual after every 10 minutes of use, and adjust back to a clearance of 3 mm as required. Oil the chain after every 10 minutes of use.



Warning! Do not touch chain at the chipping ejection point



Direction of rotation of the chain.



To ensure continued safe operation, the chain and guide bar must only be replaced with original BLACK+DECKER. Replacement chain part number A6158 replacement guide bar part number 90619609.



Switch the tool off. Before performing any maintenance on the tool, remove the battery from the tool.



Directive 2000/14/EC guaranteed sound power.

Additional safety instructions for batteries and chargers

Batteries

- ◆ Never attempt to open for any reason.
- ◆ Do not expose the battery to water.
- ◆ Do not expose the battery to heat.
- ◆ Do not store in locations where the temperature may exceed 40°C.
- ◆ Charge only at ambient temperatures between 10°C and 40°C.
- ◆ Charge only using the charger provided with the appliance/tool. Using the wrong charger could result in an electric shock or overheating of the battery.
- ◆ When disposing of batteries, follow the instructions given in the section "Protecting the environment".
- ◆ Do not damage/deform the battery pack either by puncture or impact, as this may create a risk of injury and fire.
- ◆ Do not charge damaged batteries.

Under extreme conditions, battery leakage may occur. When you notice liquid on the batteries, carefully wipe the liquid off using a cloth. Avoid skin contact.

In case of skin or eye contact, follow the instructions below.

Warning! The battery fluid may cause personal injury or damage to property. In case of skin contact, immediately rinse with water. If redness, pain or irritation occurs seek medical attention. In case of eye contact, rinse immediately with clean water and seek medical attention.

Chargers

Warning! Your charger has been designed for a specific voltage.

Always check that the mains voltage corresponds to the voltage on the rating plate.

Warning! Never attempt to replace the charger unit with a regular mains plug.

- ◆ Use your BLACK+DECKER charger only to charge the battery in the appliance/tool with which it was supplied. Other batteries could burst, causing personal injury and damage.
- ◆ Never attempt to charge non-rechargeable batteries.
- ◆ If the supply cord is damaged, it must be replaced by the manufacturer or an authorised BLACK+DECKER Service Centre in order to avoid a hazard.
- ◆ Do not expose the charger to water.
- ◆ Do not open the charger.
- ◆ Do not probe the charger.

- ◆ The charger must be placed in a well ventilated area when charging.

Labels on the charger

The following symbols are found on your charger:



The charger is intended for indoor use only.



Read the instruction manual before use.

Electrical safety



Your charger is double insulated; therefore no earth wire is required. Always check that the mains voltage corresponds to the voltage on the rating plate. Never attempt to replace the charger unit with a regular mains plug.

- ◆ If the supply cord is damaged, it must be replaced by the manufacturer or an authorised BLACK+DECKER Service Centre in order to avoid a hazard.

Features

1. On/off switch
2. Lock-off button
3. Oil cap
4. Oil reservoir
5. Front guard assembly
6. Chain cover assembly
7. Chain tension adjustment screw
8. Chain
9. Guide bar
10. Battery
11. Chain sheath
12. Charger

Assembly

Warning! Before assembly, remove the battery (10) from the tool.

Fitting and removing the battery (fig. A)

- ◆ To fit the battery (10), line it up with the receptacle on the tool. Slide the battery (10) into the receptacle and push until the battery (10) snaps into place.
- ◆ To remove the battery (10), push the release button (24) while at the same time pulling the battery (10) out of the receptacle.

Warning! To prevent accidental operation, make sure that the battery is removed and that the chain sheath (11) is in place on the saw chain (8) before performing the following operations. Failure to do this could result in serious personal injury.

Charging the battery (fig. B)

The battery needs to be charged before first use and whenever it fails to produce sufficient power on jobs that were easily done before. The battery may become warm while charging; this is normal and does not indicate a problem.

Warning! Do not charge the battery at ambient temperatures below 10 °C or above 40 °C. Recommended charging temperature: approx. 24 °C.

Note: The charger will not charge a battery if the cell temperature is below approximately 10 °C or above 40 °C. The battery should be left in the charger and the charger will begin to charge automatically when the cell temperature warms up or cools down.

- ◆ To charge the battery (10), insert it into the charger (12). The battery will only fit into the charger in one way. Do not force. Be sure that the battery is fully seated in the charger.
- ◆ Plug in the charger and switch on at the mains.

The charging indicator (23) will blink.

The charge is complete when the charging indicator (23) switches to continuously on. The charger and the battery can be left connected indefinitely. The LED will switch on as the charger occasionally tops up the battery charge.

- ◆ Charge discharged batteries within 1 week. Battery life will be greatly diminished if stored in a discharged state.

Leaving the battery in the charger

The charger and battery pack can be left connected with the LED glowing indefinitely. The charger will keep the battery pack fresh and fully charged.

Installing and removing the saw chain (fig. C–E, G)



Always wear protective gloves when installing or removing the saw chain (8). The saw chain is sharp and can cut you when it is not running.

- ◆ Place the tool on a firm and stable surface.
- ◆ Loosen the two Allen screws (14) using the Allen key (21) provided. Remove the Allen screws (14).
- ◆ Remove the chain cover assembly (6).
- ◆ Turn the chain tension adjustment screw (7) counter clockwise to allow the guide bar (9) to recede and to reduce the tension on the saw chain (8).
- ◆ Remove the old saw chain (8) from the sprocket (15) and the guide bar (9).
- ◆ Place the new saw chain (8) in the groove of the guide bar (9) and around the sprocket (15). Make sure that the teeth are facing the correct direction by matching the arrow on the saw chain (8) with the arrow on the chain cover assembly (6).

- ◆ Make sure that the slot (17) in the guide bar (9) is over the location pins (18) and that the hole (20) below the slot is located over the adjustment pin (19).
- ◆ Fit the chain cover assembly (6) and the 2 Allen screws (14).
- ◆ Tighten the Allen screws (14) using the Allen key (21) provided.
- ◆ Adjust the chain tension as described below.

Checking and adjusting the chain tension (fig. C–F)

- ◆ Check the saw chain tension. The tension is correct when the saw chain (8) snaps back after being pulled away 3 mm from the guide bar (9) with light force from the middle finger and thumb.
There should be no 'sag' between the guide bar (9) and the saw chain (8) on the underside.

To adjust the tension:

- ◆ Loosen the 2 Allen screws (14).
- ◆ Turn the chain tension adjustment screw (7) clockwise.

Warning! Do not over-tension the chain as this will lead to excessive wear and will reduce the life of the bar and chain.

- ◆ Once the chain tension is correct, tighten the 2 Allen screws (14).

Warning! When the saw chain is new, check the tension frequently during the first two hours of use as a new saw chain stretches slightly.

Filling the oil reservoir (fig. G)

- ◆ Remove the oil cap (3) and fill the reservoir (4) with the recommended chain oil. You can see the oil level in the oil reservoir (4). Refit the oil cap (3).
- ◆ Periodically switch off and check the oil level; if it is less than a quarter full, remove the battery (10) from the tool and refill the reservoir (4) with the correct oil.

Oiling the chain (fig. G)

The saw chain (8) must be oiled before each use and after cleaning using only the correct grade of oil (cat. no. A6027).

- ◆ Lubricate the saw chain (8) by pressing the bulb on the oil cap (3) twice before making each cut, holding the bulb down for 3-4 seconds.

Use

Switching on and off (fig. G)

Warning! Let the tool work at its own pace, Do not overload. For your safety, this tool is equipped with a double switching system. This system prevents starting the tool inadvertently.

Switching on

- ◆ Press the lock-off button (2) and at the same time squeeze the on/off switch (1).
- ◆ Release the lock-off button (2).

Switching off

- ◆ Release the on/off switch (1).

Warning! Never attempt to lock a switch in the on position.

Pruning trees (fig. H)

Make sure that there are no local by-laws or regulations that would prohibit or control the pruning of the tree limbs.

Pruning should only be undertaken by experienced users there is an increased risk of the saw chain (8) pinching and kickback.

Before pruning consideration should be given to conditions affecting the direction of fall including:

- ◆ The length and weight of the branch to be cut.
- ◆ Any unusual heavy limb structure or decay.
- ◆ Surrounding trees and obstacles including overhead.
- ◆ The wind speed and direction.
- ◆ The branch being intertwined with other branches.

The operator should consider access to the tree limb and the direction of fall. The tree branch is liable to swing towards the tree trunk. In addition to the user bystanders, objects and property below the branch will be at risk.

To avoid splintering, the first cut is made in an upward direction to a maximum depth of one third the diameter of the branch. The second cut is made downwards to meet the first.

Light duty cutting (fig. I)

How you should cut depends on how the log is supported.

Use a saw horse whenever possible. Always start a cut with the saw chain (8) running and the spiked bumper in contact with the wood.

To complete the cut, use a pivoting action of the spiked bumper against the wood.

When supported along its whole length:

- ◆ Make a downward cut, but avoid cutting the earth as this will blunt your saw chain quickly.

When supported at both ends:

- ◆ First, cut one third down to avoid splintering and second, cut again to meet the first cut,

When supported at one end:

- ◆ First cut one third up to avoid splintering and second, cut down to prevent splintering.

When on a slope:

- ◆ Always stand on the uphill side. When using a saw horse (fig. I):

This is strongly recommended whenever possible.

- ◆ Position the log in a stable position. Always cut on the outside of the saw horse arms. Use clamps or straps to secure the workpiece.

Cleaning, maintenance and storage

Your BLACK+DECKER tool has been designed to operate over a long period of time with a minimum of maintenance. Continuous satisfactory operation depends upon proper tool care and regular cleaning.

Your charger does not require any maintenance apart from regular cleaning.

Warning! Before performing any maintenance on the tool, remove the battery from the tool. Unplug the charger before cleaning it.

After use and before storage

Regularly clean the ventilation slots with a clean, dry paint brush.

To clean the tool, use only mild soap and a damp cloth. Never let any liquid get inside the tool and never immerse any part of the tool into liquid.

- ◆ Remove debris using a hard brush.
- ◆ Lubricate the chain (8) with oil.

Saw chain sharpening

If you are to get the best possible performance from the tool it is important to keep the teeth of the saw chain sharp.

Guidance for this procedure is found on the sharpener package. For this purpose we recommend the purchase of the BLACK+DECKER saw chain sharpening kit, available from your BLACK+DECKER service agents (cat. no. A6039).

Replacing worn out or damaged saw chains and guide bars

Replacement saw chains are available through retailers and BLACK+DECKER service agents (pt no A6158), replacement guide bars are only available through BLACK+DECKER service agents (pt no 90517720).

To avoid the risk of injury, use only original BLACK+DECKER chains and guide bars. Always use genuine spare parts.

Saw chain sharpness

The saw chain cutters will blunt immediately if they touch the ground or a nail whilst cutting.

Saw chain tension

Regularly check the saw chain tension.

What to do if your chainsaw needs repair.

Your tool is in accordance with the relevant safety requirements. Repairs should only be carried out by a qualified person using original spare parts otherwise this may result in considerable danger to the user. We recommend you keep this user manual in a safe place.

Storage

When the tool will not be used for several months, ideally leave the battery (10) connected to the charger.

Otherwise proceed as follows:

- ◆ Remove the battery (10) from the tool.
- ◆ Fully charge the battery (10).
- ◆ Store the tool and battery (10) in a secure and dry location. The storage temperature must always remain in the range of +10°C to +40°C. Place the battery (10) on a level surface.
- ◆ Before using the tool after prolonged storage, fully charge the battery (10) again

Protecting the environment



Separate collection. Products and batteries marked with this symbol must not be disposed of with normal household waste.

Products and batteries contain materials that can be recovered or recycled reducing the demand for raw materials. Please recycle electrical products and batteries according to local provisions. Further information is available at www.2helpU.com

Technical data

GKC1820L 20 Type 3		
Voltage	V _{DC}	18
Chain speed (No-load)	m/min	190
Weight	kg	1.55
Battery		BL2018
Voltage	V _{DC}	18
Capacity	Ah	2.0
Type		Li-Ion
Charger		905902**TYPE 1
Input Voltage	V _{AC}	100-240
Output Voltage	V _{DC}	8-20
Output Current	mA	400

Guaranteed sound pressure level measured according to EN62841:

LpA (emission sound pressure level) 78 dB(A), uncertainty (K) 3 dB(A)
LwA (measured sound power level) 94 dB(A), uncertainty (K) 1.9 dB(A)

Vibration total values (triax vector sum) according to EN 62841:

Vibration emission value (a_{Hv})= 5.5 m/s², uncertainty (K) = 1.5 m/s²

Supply of Machinery (Safety) Regulations 2008



GKC1820L 20 – Compact Chainsaw

Black & Decker declares that these products described under "technical data" are in compliance with:

The Supply of Machinery (Safety) Regulations, 2008, S.I. 2008/1597 (as amended),

EN 62841-1:2015+A11:2022, EN 62841-4-1:2020.

The Noise Emission in the Environment by Equipment for use Outdoors Regulations 2001, S.I. 2001/1701 (as amended).
Schedule 8.

LWA (measured sound power level) 94 dB(A), uncertainty (K) = 1.9 dB (A),

LWA (guaranteed sound power) 96 dB(A).

These products conform to the following UK Regulations:
Electromagnetic Compatibility Regulations, 2016,
S.I.2016/1091 (as amended).

The Restriction of the Use of Certain Hazardous Substances in Electrical and Electronic Equipment Regulations 2012, S.I. 2012/3032 (as amended).

For more information, please contact Black & Decker at the following address or refer to the back of the manual.

The undersigned is responsible for compilation of the technical file and makes this declaration on behalf of
Black & Decker

Paul Featherstone

Product Director - Outdoor Products Group
Black & Decker UK, 270 Bath Road, Slough
Berkshire, SL1 4DX
United Kingdom
08/09/2022

These products also comply with Directive
2014/30/EU and 2011/65/EU.

For more information, please contact Black & Decker at the following address or refer to the back of the manual.

The undersigned is responsible for compilation of the technical file and makes this declaration on behalf of
Black & Decker.

Patrick Diepenbach
General Manager, Benelux
Black & Decker,
Egide Walschaertsstraat 14-18
2800 Mechelen, Belgium
08/09/2022

Guarantee

Black & Decker is confident of the quality of its products and offers consumers a 24 month guarantee from the date of purchase. This guarantee is in addition to and in no way prejudices your statutory rights.

The guarantee is valid within the territories of the Member States of the European Union with European Free Trade Area and the United Kingdom.

To claim on the guarantee, the claim must be in accordance with Black & Decker Terms and Conditions and you will need to submit proof of purchase to the seller or an authorised repair agent. Terms and conditions of the Black & Decker 2 year guarantee and the location of your nearest authorised repair agent can be obtained on the Internet at www.2helpU.com, or by contacting your local Black & Decker office at the address indicated in this manual.

Please visit our website www.blackanddecker.co.uk to register your new BLACK+DECKER product and receive updates on new products and special offers.

EC declaration of conformity MACHINERY DIRECTIVE



GKC1820L 20 – Compact Chainsaw

Black & Decker declares that these products described under "technical data" are in compliance with: 2006/42/EC,

EN 62841-1:2015+A11:2022, EN 62841-4-1:2020

LWA (measured sound power level) 94 dB(A), uncertainty (K) = 1.9 dB (A),

LWA (guaranteed sound power) 96 dB(A)

Verwendungszweck

Ihre BLACK+DECKER™, GKC1820L 20 Kompakt-Kettensäge ist für leichte Säge- und Gehölzschnittaufgaben vorgesehen. Dieses Gerät ist nicht für den gewerblichen Einsatz vorgesehen.

Sicherheitshinweise

Allgemeine Sicherheitswarnungen für das Gerät



Warnung! Beachten Sie alle Sicherheitshinweise, Anweisungen, Darstellungen und Daten, die Sie mit dem Gerät erhalten. Wenn Sie die folgenden Anweisungen nicht beachten, kann es zu elektrischem Schlag, Feuer und/oder schweren Verletzungen kommen.

Bewahren Sie alle Warnhinweise und alle Anweisungen gut auf. Der nachfolgend verwendete Begriff „Gerät“ bezieht sich auf netzbetriebene Geräte (mit Netzkabel) und auf akkubetriebene Geräte (ohne Netzkabel).

1. Sicherheit im Arbeitsbereich

- Halten Sie Ihren Arbeitsbereich sauber und gut ausgeleuchtet.** Unaufgeräumte oder dunkle Bereiche begünstigen Unfälle.
- Betreiben Sie das Gerät nicht in Umgebungen, in denen Explosionsgefahr z. B. aufgrund von brennbaren Flüssigkeiten, Gasen oder Staub besteht.** Geräte erzeugen Funken, die den Staub oder die Dämpfe entzünden können.
- Halten Sie Kinder und andere Personen während der Benutzung eines Elektrowerkzeugs fern.** Bei Ablenkung können Sie die Kontrolle verlieren.

2. Elektrische Sicherheit

- Der Netzstecker des Geräts muss in die Steckdose passen. Ändern Sie niemals den Stecker in irgendeiner Form. Verwenden Sie keinerlei Adapterstecker an geerdeten Elektrogeräten.** Unveränderte Stecker und passende Steckdosen mindern die Gefahr eines elektrischen Schlages.
- Vermeiden Sie Körperkontakt mit geerdeten Oberflächen von Rohren, Heizungen, Herden und Kühlschränken.** Es besteht eine erhöhte Gefahr für einen elektrischen Schlag, wenn Ihr Körper geerdet ist.
- Halten Sie Geräte von Regen und Nässe fern.** Wenn Wasser in das Elektrogerät eindringt, erhöht sich die Gefahr eines elektrischen Schlages.
- Verwenden Sie das Kabel ordnungsgemäß. Verwenden Sie es niemals zum Tragen. Trennen Sie das Gerät nicht durch Ziehen am Kabel vom Netz.**

Halten Sie das Kabel fern von Hitze, Öl, scharfen Kanten oder beweglichen Teilen. Beschädigte oder verhedderte Kabel erhöhen die Gefahr eines elektrischen Schlages.

- Verwenden Sie nur für den Außenbereich zugelassene Verlängerungskabel, wenn Sie mit dem Elektrowerkzeug im Freien arbeiten.** Die Verwendung von für den Außeneinsatz geeigneten Kabeln mindert die Gefahr eines elektrischen Schlages.
- Wenn das Elektrowerkzeug in einer feuchten Umgebung verwendet werden muss, schließen Sie es unbedingt an eine Steckdose mit Fehlerstromschutzschalter (FI-Schalter) an.** Ein Fehlerstromschutzschalter verringert das Risiko eines elektrischen Schlages.

3. Sicherheit von Personen

- Seien Sie aufmerksam, achten Sie darauf, was Sie tun, und gehen Sie sachgerecht mit einem Elektrowerkzeug um. Benutzen Sie kein Elektrowerkzeug, wenn Sie müde sind oder unter dem Einfluss von Drogen, Alkohol oder Medikamenten stehen.** Ein Moment der Unachtsamkeit beim Betrieb eines Elektrowerkzeugs kann zu schweren Verletzungen führen.
- Verwenden Sie eine geeignete Schutzausrüstung. Tragen Sie immer einen Augenschutz.** Das Tragen persönlicher Schutzausrüstung, wie Staubmaske, rutschfeste Sicherheitsschuhe, Schutzhelm oder Gehörschutz, je nach Art und Einsatz des Elektrowerkzeugs, verringert das Risiko von Verletzungen.
- Vermeiden Sie eine unbeabsichtigte Inbetriebnahme. Vergewissern Sie sich, dass das Gerät ausgeschaltet ist, bevor Sie es an eine Steckdose oder einen Akku anschließen, es hochheben oder tragen.** Wenn Sie beim Tragen des Geräts den Finger am Schalter haben oder das Gerät eingeschaltet an die Stromversorgung anschließen, kann dies zu Unfällen führen.
- Entfernen Sie Einstell- oder Schraubenschlüssel, bevor Sie das Gerät einschalten.** Werkzeuge oder Schlüssel, die an rotierenden Teilen des Elektrogerätes angebracht sind, können zu Verletzungen führen.
- Beugen Sie sich nicht zu weit nach vorne. Sorgen Sie für einen sicheren Stand und halten Sie jederzeit das Gleichgewicht.** Dadurch können Sie das Gerät in unerwarteten Situationen besser kontrollieren.
- Tragen Sie geeignete Kleidung. Tragen Sie keine weite Kleidung und keinen Schmuck. Halten Sie Ihre Haare, Kleidung und Handschuhe von beweglichen Teilen fern.** Lose sitzende Kleidung, Schmuck oder lange Haare können sich in den beweglichen Teilen verfangen.

- g. Falls Vorrichtungen zum Absaugen oder Auffangen von Staub vorhanden sind, vergewissern Sie sich, dass diese angeschlossen sind und richtig verwendet werden.** Das Verwenden einer Staubauffangvorrichtung verringert Gefährdungen durch Staub.
- h. Vermeiden Sie, durch die häufige Nutzung des Werkzeugs in einen Trott zu verfallen und Prinzipien für die Werkzeugsicherheit zu ignorieren.** Eine unachtsame Aktion kann im Bruchteil einer Sekunde zu schweren Verletzungen führen.
- 4. Gebrauch und Pflege von Geräten**
- a. Überlasten Sie das Gerät nicht. Verwenden Sie das für Ihre Arbeit passende Gerät.** Das richtige Gerät wird die Aufgabe besser und sicherer erledigen, wenn es bestimmungsgemäß verwendet wird.
- b. Verwenden Sie das Gerät nicht, wenn der Ein-/Ausschalter nicht funktioniert.** Ein Gerät, das sich nicht mehr ein- oder ausschalten lässt, ist gefährlich und muss repariert werden.
- c. Ziehen Sie den Stecker aus der Steckdose, oder trennen Sie das Gerät vom Akku, bevor Sie Einstellungen vornehmen, Zubehörteile wechseln oder das Gerät lagern.** Diese Vorbeugemaßnahmen mindern die Gefahr, dass das Elektrogerät unbeabsichtigt startet.
- d. Bewahren Sie unbenutzte Geräte außerhalb der Reichweite von Kindern auf. Lassen Sie Geräte nicht von Personen benutzen, die damit nicht vertraut sind oder diese Anweisungen nicht gelesen haben.** Geräte sind in den Händen nicht geschulter Personen gefährlich.
- e. Halten Sie das Gerät in einem einwandfreien Zustand. Kontrollieren Sie, ob bewegliche Teile falsch ausgerichtet sind oder klemmen und ob Teile gebrochen oder so beschädigt sind, dass die Funktion des Geräts beeinträchtigt ist. Bei Beschädigungen lassen Sie das Gerät reparieren, bevor Sie es verwenden.** Viele Unfälle entstehen wegen mangelnder Wartung der Geräte.
- f. Halten Sie Schneidgeräte scharf und sauber.** Richtig gewartete Schneidwerkzeuge mit scharfen Klingen blockieren seltener und sind leichter unter Kontrolle zu halten.
- g. Benutzen Sie Elektrowerkzeuge, Zubehör, Werkzeugspitzen und Ähnliches in Übereinstimmung mit diesen Anweisungen und auf die für das jeweilige Elektrowerkzeug bestimmungsgemäße Weise und beachten Sie dabei die jeweiligen Arbeitsbedingungen und die Art der auszuführenden Arbeiten.** Der Gebrauch von Elektrowerkzeugen für andere als die vorgesehenen Zwecke kann zu gefährlichen Situationen führen.
- h. Halten Sie die Griffe trocken, sauber und frei von Öl und Fett.** Rutschige Griffe und Oberflächen unterbinden die sichere Bedienbarkeit und Kontrolle über das Werkzeug in unerwarteten Situationen.
- 5. Gebrauch und Pflege von Akkwerkzeugen**
- a. Laden Sie den Akku nur mit dem vom Hersteller vorgesehenen Ladegerät auf.** Für ein Ladegerät, das nur für eine bestimmte Akkuart geeignet ist, besteht Brandgefahr, wenn es mit anderen Akkus verwendet wird.
- b. Verwenden Sie nur die für das jeweilige Gerät vorgesehenen Akkus.** Die Verwendung anderer Akkus kann zu Verletzungen oder Bränden führen.
- c. Bewahren Sie den Akku bei Nichtbenutzung nicht in der Nähe metallischer Objekte wie Büroklammern, Münzen, Schlüsseln, Nägeln oder Schrauben auf, da diese eine Verbindung zwischen beiden Polen des Akkus herstellen können.** Durch den dadurch entstehenden Kurzschluss kann der Akku in Brand geraten.
- d. Bei falscher Anwendung kann Flüssigkeit aus dem Akku austreten. Vermeiden Sie den Kontakt damit. Bei unbeabsichtigtem Kontakt mit Wasser abspülen. Gelangt die Flüssigkeit in die Augen, ziehen Sie außerdem ärztliche Hilfe hinzu.** Austretende Akkufflüssigkeit kann zu Hautreizungen oder Verbrennungen führen.
- e. Verwenden Sie kein Akkupack oder Werkzeug, das beschädigt ist oder modifiziert wurde.** Beschädigte oder modifizierte Akkus können sich unvorhersehbar verhalten und stellen ein Risiko von Feuer, Explosionen oder Verletzungen dar.
- f. Setzen Sie das Akkupack oder Werkzeug keinem Feuer oder übermäßig hohen Temperaturen aus.** Die Einwirkung von Feuer oder Temperaturen über 130°C kann zu Explosionen führen. HINWEIS: Die Temperaturangabe „130 °C“ kann durch die Temperaturangabe „265 °F“ ersetzt werden.
- g. Befolgen Sie alle Ladeanweisungen und laden Sie das Akkupack oder Werkzeug nicht außerhalb des in den Anweisungen festgelegten Temperaturbereichs auf.** Das falsche Aufladen oder das Aufladen bei Temperaturen jenseits des angegebenen Bereichs kann den Akku beschädigen und das Brandrisiko erhöhen.
- 6. Service**
- a. Lassen Sie Ihr Elektrowerkzeug nur von qualifiziertem Fachpersonal und nur mit Original-Ersatzteilen reparieren.** Damit wird sichergestellt, dass die Sicherheit des Geräts erhalten bleibt.

- b. **Führen Sie niemals Wartungsarbeiten an beschädigten Akkus durch.** Die Wartung von Akkus darf nur vom Hersteller oder von autorisierten Dienstleistern durchgeführt werden (nur für Akkuwerkzeuge verwenden).

Allgemeine Sicherheitshinweise für Kettensägen



Warnung! Zusätzliche Sicherheitswarnungen für Kettensägen

- ◆ **Halten Sie alle Körperteile von der Kette fern, wenn das Gerät in Betrieb ist. Vergewissern Sie sich vor dem Starten der Kettensäge, dass die Kette keine Gegenstände berührt.** Ein Moment der Unachtsamkeit während des Betriebs kann dazu führen, dass die Kette Körper- oder Kleidungsstücke berührt.
- ◆ **Halten Sie die Kettensäge immer mit der rechten Hand am hinteren und mit der linken Hand am vorderen Griff.** Wenn Sie das Gerät anders halten, besteht erhöhte Verletzungsgefahr.
- ◆ **Halten Sie die Kettensäge ausschließlich an den isolierten Griffflächen, da die Kette mit verdeckten Kabeln in Berührung kommen könnte.** Der Kontakt der Sägekette mit stromführenden Leitungen kann auch offenliegende Metallteile an der Kettensäge unter Strom setzen und zu einem Stromschlag führen.
- ◆ **Tragen Sie Augenschutz. Außerdem empfiehlt sich das Tragen zusätzlicher Schutzausrüstung für Ohren, Kopf, Hände, Beine und Füße.** Geeignete Schutzausrüstung verringert das Risiko von Verletzungen durch weggeschleuderte Schnittabfälle oder durch unabsichtlichen Kontakt mit der Kette.
- ◆ **Bedienen Sie die Säge nicht, wenn Sie sich in einem Baum, auf einer Leiter, einem Dach oder auf einer anderen instabilen Fläche befinden.** Der Betrieb einer Kettensäge auf diese Weise kann zu schweren Verletzungen führen.
- ◆ **Achten Sie jederzeit auf einen sicheren Stand, und benutzen Sie die Kettensäge nur auf festem, ebenen Boden.** Auf rutschigen und instabilen Oberflächen oder auf Leitern ist kein sicherer Stand gewährleistet. Es besteht die Gefahr, dass Sie das Gleichgewicht und die Kontrolle über die Kettensäge verlieren.
- ◆ **Beim Durchschneiden eines Astes, der unter Spannung steht, kann dieser zurückschnellen.** Wenn die Spannung in den Holzfasern freigesetzt wird, kann der Ast den Bediener treffen und/oder gegen die Kettensäge schlagen und diese außer Kontrolle bringen.
- ◆ **Arbeiten Sie beim Sägen von Büschen und Jungbäumen mit größter Vorsicht.** Es besteht die Gefahr, dass sich das nachgiebige Material in der Kette verfängt, in Ihre Richtung gedrückt wird und Sie aus dem Gleichgewicht bringt.

- ◆ **Tragen Sie die Kettensäge am vorderen Handgriff. Das Gerät muss ausgeschaltet sein und sollte den Körper nicht berühren. Bringen Sie den Kettenschutz an, bevor Sie das Gerät transportieren oder lagern.** Durch einen sachgemäßen Umgang mit der Kettensäge verhindern Sie einen unabsichtlichen Kontakt mit der sich bewegenden Kette.
- ◆ **Befolgen Sie die Anweisungen zum Ölen und Spannen der Kette und zum Wechseln von Zubehörteilen.** Bei einer unzureichend gespannten oder geölten Kette besteht Riss- und erhöhte Rückschlaggefahr.
- ◆ **Schneiden Sie nur in Holz. Verwenden Sie die Kettensäge nicht zweckentfremdet. Zum Beispiel: keinen Kunststoff, kein Mauerwerk und keine Baumaterialien, die nicht aus Holz sind.** Der Gebrauch der Kettensäge für andere als die vorgesehenen Zwecke kann zu gefährlichen Situationen führen.
- ◆ **Diese Kettensäge eignet nicht zum Fällen von Bäumen.** Der Gebrauch der Kettensäge für andere als die vorgesehenen Zwecke kann zu schweren Verletzungen des Bedieners oder der Umstehenden führen.
- ◆ **Befolgen Sie beim Entfernen von feststeckendem Material, beim Lagern oder bei der Wartung alle Anweisungen. Vergewissern Sie sich, dass der Schalter ausgeschaltet und der Akku entfernt wurde.** Unerwartete Bewegungen der Kettensäge beim Entfernen von feststeckendem Material oder bei der Wartung können zu schweren Verletzungen führen.

Zusätzliche Sicherheitshinweise für Elektrowerkzeuge



Warnung! Zusätzliche Sicherheitshinweise für Kompakt-Kettensägen.

Die bestimmungsgemäße Verwendung ist in dieser Betriebsanleitung beschrieben. Verwenden Sie das Gerät nicht zweckentfremdet, z. B. zum Fällen von Bäumen. Das Verwenden anderer als der in dieser Anleitung empfohlenen Vorsatzgeräte und Zubehörteile oder die Ausführung von Arbeiten mit diesem Elektrowerkzeug, die nicht der bestimmungsgemäßen Verwendung entsprechen, kann zu Unfallgefahren führen.

- ◆ Tragen Sie eng anliegende Schutzkleidung, inklusive eines Schutzhelms mit Schirm/Schutzbrille, Gehörschutz, rutschfestes, sicheres Schuhwerk, Schutzlatzhosen und feste Lederhandschuhe.
- ◆ Stellen Sie sich immer so auf, dass Sie nicht von herabfallenden Ästen getroffen werden können.
- ◆ Der Sicherheitsabstand zwischen dem zu schneidenden Ast und Zuschauern, Gebäuden und anderen Gegenständen beträgt mindestens das 2,5-fache der Astlänge.

Für Gegenstände, Gebäude und Zuschauer innerhalb dieses Abstandsbereichs besteht die Gefahr, von dem herabfallenden Ast getroffen zu werden.

- ◆ Planen Sie einen sicheren Fluchtweg vor herabfallenden Ästen. Achten Sie darauf, dass der Fluchtweg frei von Hindernissen ist, die Ihre Bewegungsfreiheit stören könnten. Berücksichtigen Sie, dass feuchtes Gras und frisch geschnittene Baumrinde rutschig sind.
- ◆ Stellen Sie sicher, dass sich für den Fall eines Unfalls jemand in der Nähe befindet (jedoch in ausreichendem Sicherheitsabstand).
- ◆ Verwenden Sie die Säge nicht, wenn Sie sich auf einem Baum, auf einer Leiter oder auf einer anderen instabilen Fläche befinden.
- ◆ Sorgen Sie für einen sicheren Stand und halten Sie jederzeit das Gleichgewicht.
- ◆ Halten Sie das Gerät fest mit beiden Händen, während der Motor läuft.
- ◆ Bei laufender Kette darf die Spitze des Führungsschwerts nicht mit einem Gegenstand in Kontakt kommen.
- ◆ Zu Beginn des Schnitts muss die Kette immer mit voller Geschwindigkeit laufen.
- ◆ Versuchen Sie nicht, die Säge in einen vorhandenen Schnittspalt einzuführen. Führen Sie stets einen neuen Schnitt durch.
- ◆ Achten Sie auf die Bewegung des geschnittenen Astes und auf andere Kräfte, die dazu führen könnten, dass sich der Schnittspalt schließt und die Kette einklemmt oder dass Holz in die laufende Kette fällt.
- ◆ Versuchen Sie nicht, einen Ast zu schneiden, dessen Durchmesser die Schnittlänge der Kettensäge überschreitet.
- ◆ Entfernen Sie immer den Akku vom Gerät, und bringen Sie die Kettenabdeckung an, wenn das Gerät aufbewahrt oder transportiert werden soll.
- ◆ Halten Sie die Kette scharf und richtig gespannt. Überprüfen Sie die Spannung regelmäßig.
- ◆ Schalten Sie das Gerät vor Anpassungen oder Wartungsarbeiten aus, warten Sie, bis die Kette zum Stillstand gekommen ist, und entfernen Sie den Akku.
- ◆ Verwenden Sie nur Originalersatzteile und -zubehör.
- ◆ **Halten Sie die Griffe trocken, sauber und öl- und fettfrei.** Schmierige, ölige Griffe sind rutschig. Dadurch ist die Kontrolle über das Gerät nicht mehr gewährleistet.
- ◆ **Die Anschlagkralle kann mit der Zeit scharf werden. Gehen Sie daher vorsichtig damit um.**
- ◆ **Vorsicht: Das Führungsschwert kann sich beim Betrieb erhitzen.**

Ursachen für Rückschlag und Gegenmaßnahmen seitens des Bedieners

Rückschlag kann auftreten, wenn die Spitze des Führungsschwerts einen Gegenstand berührt, oder wenn Holz einknickt und die Kette im Schneidspalt einklemmt.

Kontakt an der Spitze kann in einigen Fällen eine blitzschnelle Rückschlagwirkung erzeugen, die die Führungsschiene nach oben und zurück in Richtung Bediener schnellen lässt.

Wenn die Kette an der Oberseite des Führungsschwerts eingeklemmt wird, kann dies das Schwert schnell nach hinten in Richtung Bediener drücken.

Diese Reaktionen können zum Verlust der Kontrolle über die Kettensäge und damit zu schweren Verletzungen führen. Verlassen Sie sich nicht nur auf die Sicherheitsvorrichtungen der Kettensäge. Als Bediener einer Kettensäge müssen Sie verschiedene Vorkehrungen treffen, um Sägearbeiten ohne Unfälle und Verletzungen durchführen zu können.

Ein Rückschlag ist das Resultat eines Missbrauchs und/oder einer falschen Bedienung der Kettensäge oder falscher Arbeitsbedingungen. Er kann durch die entsprechenden unten angegebenen Vorsichtsmaßnahmen vermieden werden.

- ◆ **Halten Sie die Säge mit den Daumen auf einer Seite und den Fingern auf der anderen Seite an den Griffen fest. Durch einen festen Griff mit beiden Händen, einen ausgestreckten linken Arm und einen stabilen Stand lässt sich das Zurückschlagen vermeiden.**

Die Rückschlagkräfte können vom Bediener mittels entsprechender Vorsichtsmaßnahmen unter Kontrolle gehalten werden. Lassen Sie die Kettensäge nicht los.

- ◆ **Strecken Sie sich nicht zu weit nach vorne, und schneiden Sie nicht oberhalb der Schulterhöhe.** Dadurch vermeiden Sie einen versehentlichen Kontakt der Spitze, und die Kettensäge lässt sich in unerwarteten Situationen besser unter Kontrolle halten.
- ◆ **Als Ersatzteile dürfen nur die vom Hersteller bezeichneten Führungsschwerter und Ketten verwendet werden.** Bei Verwendung falscher Ersatzteile besteht die Gefahr eines Kettenrisses und/oder erhöhte Rückschlaggefahr.
- ◆ **Das Schärfen der Sägekette und sämtliche Wartungsarbeiten müssen gemäß den Anweisungen des Herstellers erfolgen.** Das Kürzen der Tiefenbegrenzer an der Kette kann zu einer erhöhten Rückschlaggefahr führen.

Empfehlungen für einen sicheren Umgang mit der Kettensäge

- ◆ Anfänger sollten sich unbedingt von einem erfahrenen Benutzer die sachgemäße Verwendung der Kettensäge und der Schutzausrüstung demonstrieren lassen. Es empfiehlt sich, zunächst das Sägen von Stückholz auf einem Sägebock zu üben.

- ◆ Beim Tragen der Kettensäge sollte der Akku entnommen worden sein und die Sägekette nach hinten weisen.
- ◆ Halten Sie die Kettensäge auch bei Nichtgebrauch in einem einwandfreien Betriebszustand. Nehmen Sie vor einer längeren Lagerung der Kettensäge die Kette und das Führungsschwert ab. Diese Teile sollten in Öl getaucht werden. Bewahren Sie sämtliche Teile der Kettensäge an einem trockenen, sicheren Ort außerhalb der Reichweite von Kindern auf.
- ◆ Der Ölbehälter sollte vor einer längeren Lagerung geleert werden.
- ◆ Achten Sie auf einen sicheren Stand, und planen Sie einen sicheren Fluchtweg vor dem fallenden Baum oder vor fallenden Ästen.
- ◆ Verwenden Sie beim Fällen eines Baums Keile, um die Fallrichtung zu beeinflussen und um zu verhindern, dass sich Kette und Führungsschwert im Schneidspalt verklemmen.
- ◆ Pflegen Sie die Sägekette. Halten Sie die Kette scharf und richtig gespannt. Stellen Sie sicher, dass Kette und Führungsschwert sauber und ausreichend geölt sind. Achten Sie darauf, dass die Griffe trocken, sauber sowie frei von Öl und Fett sind.
- ◆ Schneiden Sie nicht in Drahtzäune, Nägel usw.
- ◆ Schneiden Sie möglichst keine Büsche oder Jungbäume. Es besteht die Gefahr, dass sich das nachgiebige Material in der Kette verfängt, in Ihre Richtung gedrückt wird und Sie aus dem Gleichgewicht bringt.
- ◆ Verwenden Sie die Kettensäge nicht oberhalb der Schulterhöhe.
- ◆ Stellen Sie sicher, dass sich für den Fall eines Unfalls jemand in der Nähe befindet (jedoch in ausreichendem Sicherheitsabstand).
- ◆ Falls Sie die Kette aus irgendeinem Grund berühren müssen, vergewissern Sie sich, dass die Kettensäge ausgeschaltet und der Akku entfernt wurde.
- ◆ Der Schallpegel dieses Gerätes kann 80 dB(A) überschreiten. Das Tragen eines Gehörschutzes wird daher empfohlen.

Restrisiken.

Beim Gebrauch dieses Geräts verbleiben zusätzliche Restrisiken, die möglicherweise nicht in den Sicherheitswarnungen genannt werden. Diese Risiken bestehen beispielsweise bei Missbrauch oder längerem Gebrauch.

Auch bei der Einhaltung der entsprechenden Sicherheitsvorschriften und der Verwendung aller Sicherheitsgeräte bestehen weiterhin bestimmte Restrisiken. Diese sind:

- ◆ Verletzungen, die durch das Berühren von sich drehenden/bewegenden Teilen verursacht werden.
- ◆ Verletzungen, die durch das Austauschen von Teilen, Messern oder Zubehör verursacht werden.
- ◆ Verletzungen, die durch längeren Gebrauch eines Geräts verursacht werden. Legen Sie bei längerem Gebrauch regelmäßige Pausen ein.
- ◆ Schwerhörigkeit.
- ◆ Gesundheitsrisiken durch das Einatmen von Staub beim Gebrauch des Geräts (z. B. bei Holzarbeiten, insbesondere Eiche, Buche und Pressspan)

Vibration

Die in den Abschnitten „Technische Daten“ und „EU-Konformitätserklärung“ angegebenen Werte für die Vibrationsemission und die Lärmemission wurden mit einer Standard-Prüfmethode nach EN 62841 ermittelt und können zum Vergleich verschiedener Geräte herangezogen werden. Außerdem kann mit Hilfe dieser Werte die Belastung bei Verwendung des Geräts schon im Voraus eingeschätzt werden.

Warnung! Die bei Verwendung des Geräts auftretende Vibrations- und Lärmemission hängt von der Art des Gerätegebrauchs ab und kann dementsprechend von dem angegebenen Wert abweichen.

Ein Rückschlag kann verursacht werden durch:

- ◆ Versehentliches Berühren von Ästen oder anderen Gegenständen mit der Sägespitze, während sich die Kette bewegt.
- ◆ Berühren von Metall, Mauerwerk oder anderen harten Gegenständen in der Nähe oder innerhalb des Holzes.
- ◆ Eine stumpfe oder lockere Kette.
- ◆ Schnitte oberhalb der Schulterhöhe.
- ◆ Nachlässiges Halten oder Führen der Kettensäge während des Schneidens.
- ◆ Überstrecken. Achten Sie jederzeit auf einen sicheren Stand und eine sichere Balance, und überstrecken Sie sich nicht.
- ◆ Führen Sie die Säge nicht in einen vorhandenen Schneidspalt ein. Hierdurch kann ein Rückschlag verursacht werden. Führen Sie stets einen neuen Schnitt durch.
- ◆ Es wird dringend davon abgeraten, die Kettensäge in einem Baum, auf einer Leiter oder auf einer anderen instabilen Fläche zu betreiben. Wenn Sie sich dennoch hierzu entschließen, sollten Sie sich der erhöhten Unfall- und Verletzungsgefahr bewusst sein.
- ◆ Achten Sie beim Durchtrennen eines Astes unter Spannung darauf, dass Sie nicht von zurückschnellendem Holz getroffen werden.

Folgendes ist zu beachten:

- ◆ Sägen Sie kein vorbehandeltes Holz.
- ◆ Berühren Sie mit laufender Kette nicht den Boden.

Gegebenenfalls kann die Vibration über dem angegebenen Wert liegen.

Für die Ermittlung der Vibrationsbelastung müssen die tatsächlichen Einsatzbedingungen und Verwendungen des Geräts während des gesamten Arbeitsgangs berücksichtigt werden, einschließlich der Zeiten, wenn das Gerät nicht verwendet oder im Leerlauf betrieben wird. Diese Werte werden benötigt, um die gemäß 2002/44/EG erforderlichen Sicherheitsmaßnahmen zum Schutz von Personen festlegen zu können.

Etiketten am Werkzeug

Am Gerät sind die folgenden Piktogramme inkl. Datumscode angebracht:



Warnung! Lesen Sie vor Gebrauch die Anleitung. Andernfalls besteht Verletzungsgefahr.



Verwenden Sie die Säge nicht in nasser Umgebung, und schützen Sie sie vor Regen.



Tragen Sie stets Kopf-, Gehör- und Augenschutz.



Tragen Sie immer Handschuhe.



Tragen Sie stets rutschfestes, sicheres Schuhwerk.



Halten Sie die Säge immer mit beiden Händen fest.



Seien Sie auf einen Rückschlag der Kettensäge vorbereitet und vermeiden Sie den Kontakt mit der Spitze des Führungsschwerts.



Verwenden Sie die Kettensäge nicht nur mit einer Hand.



Achten Sie auf herabfallende Gegenstände. Halten Sie Zuschauer aus dem Gefahrenbereich fern.



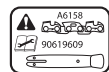
Um ein kontinuierlich sicheres Arbeiten zu gewährleisten, kontrollieren Sie die Kettenspannung wie in diesem Handbuch beschrieben nach jeweils 10 Minuten Betrieb der Kettensäge. Stellen Sie die Kettenspannschraube ggf. wieder auf die vorgeschriebenen 3 mm Spiel ein. Ölen Sie die Kette nach jeweils 10 Minuten Betrieb.



Warnung! Greifen Sie nicht am Spanauswurf in die Kette.



Drehrichtung der Kette.



Um ein kontinuierlich sicheres Arbeiten zu gewährleisten, dürfen Kette und Führungsschwert ausschließlich durch Originalersatzteile von BLACK+DECKER ersetzt werden. Teilenummer der Ersatzkette: A6158, Teilenummer des Ersatzführungsschwerts: 90619609.



Schalten Sie das Werkzeug aus. Entfernen Sie vor jeglichen Wartungsarbeiten am Gerät den Akku aus dem Gerät.



Garantierte Schalleistung laut Richtlinie 2000/14/EG.

Zusätzliche Sicherheitshinweise für Akkus und Ladegeräte

Akkus

- ◆ Keinesfalls versuchen, den Akku zu öffnen.
- ◆ Achten Sie darauf, dass der Akku nicht mit Wasser in Berührung kommt.
- ◆ Setzen Sie den Akku keinen hohen Temperaturen aus.
- ◆ Nicht bei Temperaturen über 40 °C lagern.
- ◆ Laden Sie den Akku ausschließlich bei Umgebungstemperaturen zwischen 10 °C und 40 °C.
- ◆ Verwenden Sie ausschließlich das mit dem Gerät gelieferte Ladegerät. Das Verwenden eines falschen Ladegeräts kann zu einem Stromschlag oder dem Überhitzen des Akkus führen.
- ◆ Beachten Sie bei der Entsorgung von Batterien und Akkus die Hinweise im Abschnitt "Umweltschutz".
- ◆ Der Akku darf nicht durch mechanische Krafteinwirkung oder Belastungen beschädigt oder verformt werden. Andernfalls besteht Verletzungs- und Brandgefahr.
- ◆ Laden Sie beschädigte Akkus nicht auf.

Unter extremen Bedingungen können Akkus undicht werden. Wenn Sie feststellen, dass aus dem Akku Flüssigkeit austritt, wischen Sie diese vorsichtig mit einem Tuch ab.

Vermeiden Sie Hautkontakt.

Beachten Sie nach Haut- oder Augenkontakt die folgenden Hinweise.

Warnung! Batteriesäure kann Sach- oder Personenschäden verursachen. Spülen Sie die Säure bei Hautkontakt sofort mit Wasser ab. Suchen Sie einen Arzt auf, wenn sich auf der Haut Rötungen, Reizungen oder andere Irritationen zeigen. Spülen Sie das Auge nach Augenkontakt sofort mit sauberem Wasser aus und suchen Sie einen Arzt auf.

Ladegeräte

Warnung! Das Ladegerät ist für eine bestimmte Spannung ausgelegt. Stellen Sie sicher, dass die Netzspannung der auf dem Typenschild des Geräts angegebenen Spannung entspricht.

Warnung! Ersetzen Sie das Ladegerät keinesfalls durch ein normales Netzkabel.

- ◆ Verwenden Sie das BLACK + DECKER Ladegerät nur für den Akku des Geräts, mit dem es geliefert wurde. Andere Akkus können platzen und Sachschäden oder Verletzungen verursachen.
- ◆ Versuchen Sie keinesfalls, nicht aufladbare Batterien zu laden.
- ◆ Bei einer Beschädigung des Netzkabels muss dieses durch den Hersteller oder eine BLACK+DECKER Vertragswerkstatt ausgetauscht werden, um mögliche Gefahren zu vermeiden.
- ◆ Achten Sie darauf, dass das Ladegerät nicht mit Wasser in Berührung kommt.
- ◆ Versuchen Sie nicht, das Ladegerät zu öffnen.
- ◆ Nehmen Sie am Ladegerät keine Veränderungen vor.
- ◆ Während der Akku geladen wird, muss auf ausreichende Belüftung geachtet werden.

Warnsymbole auf dem Ladegerät

Am Ladegerät sind die folgenden Symbole angebracht:



Das Ladegerät darf nur im Innenbereich verwendet werden.



Vor Gebrauch die Anleitung lesen.

Elektrische Sicherheit



Das Ladegerät ist schutzisoliert, daher ist keine Erdleitung erforderlich. Stellen Sie sicher, dass die Netzspannung der auf dem Typenschild des Geräts angegebenen Spannung entspricht. Ersetzen Sie das Ladegerät keinesfalls durch ein normales Netzkabel.

- ◆ Bei einer Beschädigung des Netzkabels muss dieses durch den Hersteller oder eine BLACK+DECKER Vertragswerkstatt ausgetauscht werden, um mögliche Gefahren zu vermeiden.

Merkmale

1. Ein-/Aus-Schalter
2. Einschaltsperr
3. Ölbehälterdeckel
4. Ölbehälter
5. Vordere Schutzvorrichtung
6. Kettenabdeckung
7. Kettenspannschraube
8. Kette
9. Führungsschwert
10. Akku
11. Kettenschutz
12. Ladegerät

Montage

Warnung! Entfernen Sie vor der Montage den Akku (10) aus dem Gerät.

Einsetzen und Entnehmen des Akkus (Abb. A)

- ◆ Um den Akku (10) einzusetzen, richten Sie ihn an der Aufnahme am Gerät aus. Schieben Sie den Akku (10) in die Aufnahme bis der Akku (10) in die richtige Position gelangt und einrastet.
- ◆ Um den Akku (10) zu entfernen, drücken Sie die Entriegelungstaste (24) und schieben Sie gleichzeitig den Akku (10) aus der Aufnahme.

Warnung! Um unbeabsichtigten Betrieb zu vermeiden, stellen Sie vor Ausführung der folgenden Schritte sicher, dass der Akku entfernt wurde und der Kettenschutz (11) korrekt auf der Kette (8) sitzt. Eine Nichtbeachtung kann zu ernsthaften Verletzungen führen.

Laden des Akkus (Abb. B)

Der Akku muss vor der erstmaligen Benutzung sowie immer dann aufgeladen werden, wenn das Gerät nicht mehr mit voller Leistung arbeitet. Der Akku kann sich während des Aufladens erwärmen. Das ist normal und deutet nicht auf ein Problem hin.

Warnung! Laden Sie den Akku nicht, wenn die Umgebungstemperatur unter 10 °C oder über 40 °C liegt. Empfohlene Ladetemperatur: ca. 24 °C.

Hinweis: Ein Akku, bei dem die Temperatur der Batteriezellen unter ca. 10 °C oder über 40 °C liegt, wird vom Ladegerät nicht geladen. Lassen Sie den Akku im Ladegerät. Das Ladegerät beginnt automatisch mit dem Ladevorgang, sobald sich die Batteriezellen erwärmen bzw. abkühlen.

- ◆ Um den Akku (10) zu laden, setzen Sie ihn in das Ladegerät (12) ein. Er kann nur auf eine Weise richtig in das Ladegerät eingesetzt werden. Erzwingen Sie den Arbeitsvorgang nicht. Vergewissern Sie sich, dass der Akku ordnungsgemäß im Ladegerät steckt.
- ◆ Schließen Sie das Ladegerät an eine Steckdose an und schalten Sie die Stromversorgung ein.

Die Ladeanzeige (23) blinkt.

Der Ladevorgang ist abgeschlossen, wenn die Ladeanzeige (23) dauerhaft leuchtet. Der Akku kann beliebig lange im Ladegerät eingesetzt bleiben. Die LED-Anzeige leuchtet auf, wenn der Akku gelegentlich nachgeladen wird.

- ◆ Ein entladener Akku sollte innerhalb einer Woche wieder aufgeladen werden. Die Lebensdauer des Akkus wird erheblich reduziert, wenn dieser in entladenerm Zustand aufbewahrt wird.

Belassen des Akkus im Ladegerät

Sie können den Akku auch im Ladegerät belassen. In diesem Fall leuchtet die LED-Anzeige dauerhaft. Das Ladegerät hält den Akku in einem vollständig geladenen Zustand.

Anbringen und Entfernen der Sägekette (Abb. C–E, G)



Tragen Sie beim Aufziehen und Abnehmen der Sägekette (8) immer eine Schutzbrille. Die Sägekette ist scharf und kann auch in ruhendem Zustand zu Schnittverletzungen führen.

- ◆ Legen Sie das Gerät auf eine sehr stabile Unterlage.
- ◆ Lösen Sie die beiden Sechskantschrauben (14) mit dem mitgelieferten Sechskantschlüssel (21). Drehen Sie die Sechskantschrauben (14) heraus.
- ◆ Entfernen Sie die Kettenabdeckung (6).
- ◆ Drehen Sie die Kettenspannschraube (7) gegen den Uhrzeigersinn, um das Führungsschwert (9) zurückzuführen und die Spannung der Sägekette (8) zu vermindern.
- ◆ Nehmen Sie die alte Sägekette (8) vom Kettenrad (15) und dem Führungsschwert (9) ab.
- ◆ Legen Sie die neue Kette (8) in die Nut des Führungsschwerts (9) und um das Kettenrad (15). Stellen Sie sicher, dass die Zähne in die richtige Richtung weisen, indem Sie die Pfeile auf der Kette (8) und auf der Kettenabdeckung (6) aneinander ausrichten.
- ◆ Stellen Sie sicher, dass sich die Aussparung (17) im Führungsschwert (9) über den Arretierstiften (18) und das Loch (20) unter der Aussparung über dem Justierstift (19) befindet.
- ◆ Bringen Sie die Kettenabdeckung (6) an, und befestigen Sie diese mit den 2 Sechskantschrauben (14).

- ◆ Ziehen Sie die Sechskantschrauben (14) mit dem mitgelieferten Sechskantschlüssel (21) fest.
- ◆ Stellen Sie die Kettenspannung wie nachfolgend beschrieben ein.

Prüfen und Einstellen der Kettenspannung (Abb. C–F)

- ◆ Überprüfen Sie die Spannung der Kette. Das Führungsschwert (9) ist richtig gespannt, wenn die Sägekette (8) sich mit wenig Kraftaufwand mit Mittelfinger und Daumen ca. 3 mm abheben lässt. Die Kette (8) muss ohne durchzuhängen an der Unterseite des Führungsschwerts (9) anliegen.

So stellen Sie die Spannung ein:

- ◆ Lösen Sie die beiden Sechskantschrauben (14).
- ◆ Drehen Sie die Kettenspannschraube (7) im Uhrzeigersinn.

Warnung! Überspannen Sie die Kette nicht. Dies würde den Verschleiß erhöhen und die Lebensdauer von Kette und Führungsschwert verkürzen.

- ◆ Ziehen Sie die beiden Sechskantschrauben (14) an, sobald die Spannung richtig eingestellt ist.

Warnung! Prüfen Sie die Spannung bei einer neuen Sägekette während der ersten zwei Betriebsstunden häufig, da sich eine neue Kette etwas dehnt.

Füllen des Ölbehälters (Abb. G)

- ◆ Nehmen Sie den Ölbehälterdeckel (3) ab, und füllen Sie den Behälter (4) mit dem empfohlenen Kettenöl. Der Ölpegel ist am Ölbehälter (4) zu sehen. Bringen Sie den Ölbehälterdeckel (3) wieder an.
- ◆ Schalten Sie das Gerät regelmäßig aus, und überprüfen Sie den Ölpegel. Sobald der Ölpegel ein Viertel der Füllmenge unterschreitet, nehmen Sie den Akku (10) aus dem Gerät und füllen Sie das richtige Öl in den Behälter (4) nach.

Ölen der Kette (Abb. G)

Die Sägekette (8) muss vor jedem Gebrauch und nach der Reinigung geölt werden. Verwenden Sie hierfür nur die richtige Ölsorte (Katalognr. A6027).

- ◆ Schmieren Sie die Sägekette (8), indem Sie vor jedem Schnitt zweimal auf den Kolben des Ölbehälterdeckels (3) drücken und den Kolben 3-4 Sekunden lang gedrückt halten.

Verwendung

Ein- und Ausschalten (Abb. G)

Warnung! Beschleunigen Sie den Arbeitsvorgang nicht mit Gewalt. Überlasten Sie das Gerät nicht.

Das Gerät ist zu Ihrer Sicherheit mit einer Zweihandbetätigung ausgestattet. Diese verhindert das versehentliche Einschalten.

Einschalten

- ◆ Drücken Sie gleichzeitig die Einschaltsperr (2) und den Ein-/Ausschalter (1).
- ◆ Lassen Sie den Verriegelungsknopf (2) los.

Ausschalten

- ◆ Lassen Sie den Ein-/Ausschalter (1) los.

Warnung! Arretieren Sie den Schalter nie in der Stellung ON (EIN).

Beschneiden von Bäumen (Abb. H)

Vergewissern Sie sich, dass das Beschneiden von Ästen nicht durch lokale Verordnungen oder Gesetze eingeschränkt oder untersagt wird.

Das Schneiden von Ästen sollte nur von erfahrenen Personen durchgeführt werden, da das Risiko eines Rückschlags oder des Einklemmens der Sägekette (8) relativ hoch ist.

Berücksichtigen Sie vor Beginn der Arbeit alle Faktoren, die die Fallrichtung beeinflussen könnten. Hierzu gehören:

- ◆ die Länge und das Gewicht des zu schneidenden Asts
- ◆ Morschheit oder außergewöhnlich schwere Holzstruktur
- ◆ Bäume und Hindernisse in der Umgebung (z. B. Stromleitungen)
- ◆ Windgeschwindigkeit und Windrichtung
- ◆ die Verflechtung mit anderen Ästen

Achten Sie auf einen guten Zugang zum Ast, und berücksichtigen Sie die Fallrichtung. Äste haben die Tendenz, zum Baumstamm zu schwingen. Gefährdet sind neben dem Bediener der Kettensäge alle Personen und Gegenstände unterhalb des Astes.

Um ein Splintern zu verhindern, wird der Ast zunächst bis zu einem Drittel seines Durchmessers von unten eingesägt. Danach erfolgt ein Schnitt von oben, bis der Ast durchtrennt ist.

Leichte Schnittaufgaben (Abb. I)

Wie der Schnitt ausgeführt werden sollte, hängt davon ab, wie das Holzstück gestützt wird. Verwenden Sie nach Möglichkeit einen Sägebock. Beginnen Sie einen Schnitt immer mit laufender Kette (8) und den Anschlagkrallen am Holz. Führen Sie den Schnitt dann in einer Kippbewegung nach unten durch das Holzstück.

Holz ist entlang der gesamten Länge abgestützt:

- ◆ Führen Sie einen Abwärtsschnitt durch. Achten Sie darauf, dass die Kette nicht mit dem Boden in Berührung kommt, da sie hierdurch schnell stumpf wird.

Holz ist an beiden Enden abgestützt:

- ◆ Schneiden Sie zunächst ein Drittel nach unten, um ein Splintern zu verhindern. Schneiden Sie dann von unten nach oben in Richtung des ersten Schneidspalts.

Holz ist an einem Ende abgestützt:

- ◆ Schneiden Sie zunächst ein Drittel nach oben, und anschließend nach unten, um ein Splintern zu verhindern.

Bei Sägearbeiten an einem Hang:

- ◆ Stehen Sie immer auf der Bergseite. Bei Verwendung eines Sägebocks (Abb. I):

Die Verwendung eines Sägebocks wird dringend empfohlen.

- ◆ Bringen Sie das zu schneidende Holzstück in eine stabile Position. Schneiden Sie immer außerhalb der Sägebockenden. Benutzen Sie gegebenenfalls eine Spannvorrichtung, um das Holzstück zu fixieren.

Reinigung, Wartung und Lagerung

Ihr BLACK+DECKER Gerät wurde im Hinblick auf eine lange Lebensdauer und einen möglichst geringen Wartungsaufwand entwickelt.

Ein kontinuierlicher, zufriedenstellender Betrieb hängt von der richtigen Pflege des Gerätes und seiner regelmäßigen Reinigung ab.

Das Ladegerät benötigt keine Wartung, es sollte jedoch regelmäßig gereinigt werden.

Warnung! Entfernen Sie vor jeglichen Wartungsarbeiten am Gerät den Akku aus dem Gerät. Ziehen Sie das Ladegerät aus der Netzsteckdose, bevor Sie es reinigen.

Nach dem Gebrauch und vor der Aufbewahrung

Reinigen Sie die Lüftungsschlitze regelmäßig mit einem sauberen, trockenen Pinsel.

Reinigen Sie das Gerät ausschließlich mit milder Seifenlösung und einem angefeuchteten Tuch. Achten Sie darauf, dass keine Flüssigkeit in das Gerät gelangt. Tauchen Sie kein Teil des Geräts in Flüssigkeit ein.

- ◆ Entfernen Sie Schmutzablagerungen mit einer harten Bürste.
- ◆ Schmieren Sie die Kette (8) mit Öl.

Schärfen der Sägekette

Um eine optimale Schneidleistung zu erhalten, muss die Sägekette regelmäßig geschärft werden.

Anleitungen hierzu finden Sie auf der Verpackung des Schärfers. Wir empfehlen den Kauf des Kettenschärfersatzes von BLACK+DECKER, erhältlich bei Ihrer BLACK+DECKER-Vertretung (Kat.-Nr. A6039).

Auswechseln verschlissener oder beschädigter

Sägeketten und Führungsschwerter

Austauschketten sind über den Fachhandel oder bei einer BLACK+DECKER-Vertretung erhältlich (Art.-Nr. A6158), Austauschführungsschwerter sind über den Fachhandel oder bei einer BLACK+DECKER Vertretung erhältlich (Art.-Nr. 90517720).

Zur Vermeidung der Verletzungsgefahr sollten nur Originalketten und -führungsschwerer von BLACK+DECKER verwendet werden. Verwenden Sie ausschließlich Originalersatzteile.

Schärfe der Sägekette

Die Zähne der Kette werden sofort stumpf, wenn Sie beim Sägen den Boden oder einen Nagel berühren.

Kettenspannung

Überprüfen Sie regelmäßig die Spannung der Kette.

Was ist zu tun, wenn die Kettensäge repariert werden muss?

Ihr Gerät erfüllt alle einschlägigen Sicherheitsbestimmungen. Reparaturen sind nur von autorisierten Fachkräften und mit Originalersatzteilen vorzunehmen. Andernfalls besteht Unfall- und Verletzungsgefahr. Bewahren Sie diese Anleitung an einem sicheren Ort auf.

Aufbewahrung

Wenn das Gerät für mehrere Monate nicht benutzt wird, sollte der Akku (10) am besten im Ladegerät verbleiben.

Gehen Sie anderenfalls wie folgt vor:

- ◆ Entfernen Sie den Akku (10) aus dem Gerät.
- ◆ Laden Sie den Akku (10) vollständig auf.
- ◆ Bewahren Sie das Gerät und den Akku (10) an einem sicheren und trockenen Ort auf. Die Temperatur am Aufbewahrungsort muss immer im Bereich von +10°C bis +40°C liegen. Legen Sie den Akku (10) auf einem waagerechten Untergrund ab.
- ◆ Nach langer Lagerzeit sollte der Akku (10) vor der Verwendung des Geräts voll aufgeladen werden.

Umweltschutz



Getrennte Sammlung. Produkte und Akkus mit diesem Symbol dürfen nicht mit dem normalen Hausmüll entsorgt werden.

Produkte und Akkus enthalten Materialien, die wiederverwertet werden können, um den Bedarf an Rohstoffen zu verringern.

Bitte recyceln Sie elektrische Produkte und Akkus gemäß den örtlichen Bestimmungen. Weitere Informationen finden Sie auf www.2helpU.com

Technische Daten

GKC1820L 20 Typ 3		
Spannung	V _{DC}	18
Kettengeschwindigkeit (Leerlauf)	m/min	190
Gewicht	kg	1,55

GKC1820L 20 Typ 3		
Akku		BL2018
Spannung	V _{DC}	18
Kapazität	Ah	2,0
Typ		Li-Ionen
Ladegerät		905902**TYP 1
Eingangsspannung	V _{AC}	100–240
Ausgangsspannung	V _{DC}	8–20
Ausgangsstrom	mA	400

Garantierter Schalldruckpegel, gemessen nach EN62841:

LpA (Emissionsschalldruckpegel) 78 dB(A), Unsicherheitsfaktor (K) 3 dB(A)

LwA (gemessener Schalleistungspegel) 94 dB(A), Unsicherheitsfaktor (K) 1,9 dB(A)

Gesamtvibration (Triax-Vektorsumme) gemäß EN 62841:

Vibrationsemissionswert (a_{H}) = 5,5 m/s², Unsicherheitsfaktor (K) = 1,5 m/s²

EU-Konformitätserklärung

MASCHINENRICHTLINIE



GKC1820L 20 – Kompakt-Kettensäge
Black & Decker erklärt, dass die in den technischen Daten beschriebenen Geräte übereinstimmen mit: 2006/42/EG, EN 62841-1:2015+A11:2022, EN 62841-4-1:2020
LwA (gemessener Schalleistungspegel) 94 dB(A), Unsicherheitsfaktor (K) = 1,9 dB (A),
LWA (garantierte Schalleistung) 96 dB(A)

Diese Produkte entsprechen außerdem der Richtlinie 2014/30/EU und 2011/65/EU.

Weitere Informationen erhalten Sie von Black & Decker unter der folgenden Adresse. Diese befindet sich auch auf der Rückseite dieser Anleitung.

Der Unterzeichnete ist verantwortlich für die Zusammenstellung der technischen Daten und gibt diese Erklärung im Namen von Black & Decker ab.

Patrick Diepenbach

Patrick Diepenbach
General Manager, Benelux
Black & Decker,

Le terme "outil électrique" mentionné dans tous les avertissements listés ci-dessous fait référence à vos outils électriques branchés sur secteur (avec câble) ou fonctionnant sur pile ou batterie (sans fil).

Garantie

Black & Decker vertraut auf die Qualität der eigenen Geräte und bietet dem Käufer eine außergewöhnliche Garantie von 24 Monaten ab Kaufdatum. Diese Garantie versteht sich unbeschadet der gesetzlichen Gewährleistungsansprüche und schränkt diese keinesfalls ein.

Diese Garantie gilt innerhalb der Staatsgebiete der Mitgliedstaaten der Europäischen Union mit der Europäischen Freihandelszone und innerhalb des Vereinigten Königreichs. Zur Inanspruchnahme dieser Garantie muss sie den allgemeinen Geschäftsbedingungen von Black & Decker entsprechen und dem Verkäufer bzw. der Vertragswerkstatt ist ein Kaufnachweis vorzulegen. Die Bedingungen für die 2-jährige Garantie von Black & Decker und den Standort Ihrer nächstgelegenen Vertragswerkstatt finden Sie im Internet unter www.2helpU.com oder indem Sie sich an die lokale Black & Decker-Niederlassung wenden, deren Adresse Sie in dieser Anleitung finden.

Ihr neues BLACK+DECKER-Produkt können Sie auf unserer Website unter www.blackanddecker.de registrieren. Dort erhalten Sie auch Informationen über neue Produkte und Sonderangebote.

Utilisation prévue

Votre tronçonneuse compacte BLACK+DECKER™, GKC1820L 20 été conçue pour les petites opérations de coupe et d'élagage. Cet outil est destiné à un usage grand public uniquement.

Consignes de sécurité

Avertissements de sécurité générale propres aux outils électriques



Avertissement ! Veuillez lire tous les avertissements de sécurité, toutes les instructions, les illustrations et les spécifications fournies avec cet outil électrique. Le non-respect de toutes les instructions listées ci-dessous peut entraîner des décharges électriques, des incendies et/ou de graves blessures.

Conservez tous les avertissements et toutes les instructions afin de pouvoir vous y référer dans le futur.

1. Sécurité de la zone de travail

- Maintenez la zone de travail propre et bien éclairée.** Les zones sombres ou encombrées sont propices aux accidents.
- N'utilisez pas d'outils électriques dans un environnement présentant des risques d'explosion ou en présence de liquides, gaz ou poussières inflammables.** Les outils électriques créent des étincelles qui peuvent enflammer les poussières et les fumées.
- Maintenez les enfants et les autres personnes à l'écart quand vous utilisez un outil électrique.** Toute distraction peut vous faire perdre le contrôle de l'outil.

2. Sécurité électrique

- Les prises des outils électriques doivent correspondre à la prise de courant murale. Ne modifiez jamais la prise d'aucune sorte. N'utilisez aucun adaptateur avec des outils électriques reliés à la terre.** L'utilisation de prises d'origine et de prises murales appropriées permet de réduire le risque de décharge électrique.
- Évitez tout contact physique avec des surfaces reliées à la terre comme des tuyaux, des radiateurs, des fours et des réfrigérateurs par exemple.** Il y a sinon un risque accru de décharge électrique si votre corps est lui-même relié à la terre.
- N'exposez pas les outils électriques à la pluie, ni à l'humidité.** Le risque de décharge électrique augmente si de l'eau pénètre dans un outil électrique.
- Ne tirez pas sur le cordon d'alimentation. N'utilisez jamais le cordon pour transporter, tirer ou débrancher l'outil électrique. Maintenez le cordon à l'écart de la chaleur, des substances grasses, des bords tranchants ou des pièces mobiles.** Les cordons endommagés ou emmêlés augmentent les risques de décharges électriques.
- Si vous utilisez un outil électrique à l'extérieur, utilisez une rallonge homologuée pour les travaux extérieurs.** L'utilisation d'une rallonge électrique homologuée pour les travaux en extérieur réduit le risque de décharge électrique.
- Si l'utilisation d'un outil électrique dans un endroit humide est inévitable, utilisez une alimentation électrique protégée par un disjoncteur différentiel à courant résiduel (DDR).** L'utilisation d'un DDR réduit le risque de décharge électrique.

3. Sécurité des personnes

a. **Restez vigilant, surveillez ce que vous faites et faites preuve de bon sens lorsque vous utilisez un outil électrique. N'utilisez pas d'outils électriques si vous êtes fatigué ou sous l'influence de drogue, d'alcool ou de médicaments.** Tout moment d'inattention pendant l'utilisation d'un outil électrique peut engendrer de graves blessures.

b. **Portez des équipements de protection individuelle. Portez toujours une protection oculaire.**

Les équipements de protection comme les masques à poussière, les chaussures de sécurité antidérapantes, les casques ou les protections auditives réduisent le risque de blessures s'ils sont utilisés à bon escient.

c. **Empêchez tout démarrage intempestif. Assurez-vous que l'interrupteur est sur la position Arrêt avant de raccorder l'outil à l'alimentation électrique et/ou au bloc-batterie ou avant de ramasser ou de transporter l'outil.** Le fait de transporter les outils électriques le doigt sur l'interrupteur ou d'alimenter les outils électriques dont l'interrupteur est déjà en position de marche augmente le risque d'accidents.

d. **Retirez toutes les clés ou pinces de réglage avant de mettre l'outil en marche.** Une clé ou une pince restée fixée sur une pièce rotative de l'outil électrique peut engendrer des blessures.

e. **Ne vous penchez pas. Gardez les pieds bien ancrés au sol et conservez votre équilibre en permanence.** Cela permet de mieux maîtriser l'outil électrique en cas de situations imprévues.

f. **Portez des vêtements appropriés. Ne portez aucuns vêtements amples, ni bijoux. Gardez vos cheveux, vos vêtements et vos gants éloignés des pièces mobiles.** Les vêtements amples, les bijoux ou les cheveux longs peuvent être happés par les pièces mobiles.

g. **Si vous disposez de dispositifs pour le raccordement d'un extracteur de poussière ou d'installations pour la récupération, assurez-vous qu'ils sont correctement raccordés et utilisés.** L'utilisation de dispositifs récupérateurs de poussières réduit les risques liés aux poussières.

h. **Ne pensez pas être familiarisé avec l'outil après l'avoir utilisé à de nombreuses reprises, au point de ne plus rester vigilant et d'en oublier les consignes de sécurité.** Toute action imprudente peut entraîner de graves blessures en une fraction de seconde.

4. Utiliser et entretenir un outil électrique

a. **Respectez la capacité de l'outil. Utilisez l'outil approprié, adapté pour le travail à réaliser.** Un outil adapté fonctionne mieux, de façon plus sûre et à la cadence pour laquelle il a été conçu.

b. **N'utilisez pas l'outil électrique si son interrupteur ne permet pas de l'allumer ou de l'éteindre.** Tout outil électrique qui ne peut plus être commandé par son interrupteur est dangereux et il doit être réparé.

c. **Débranchez la prise de courant et/ou retirez le bloc-batterie de l'outil électrique avant d'effectuer tout réglage, de changer un accessoire ou de ranger l'outil électrique.** Ces mesures de sécurité préventives réduisent le risque de démarrage accidentel de l'outil électrique.

d. **Rangez les outils électriques non utilisés hors de portée des enfants et ne laissez aucune personne ne connaissant pas ces outils ou leurs instructions d'utilisation les faire fonctionner.** Les outils électriques peuvent être dangereux entre des mains inexpérimentées.

e. **Entretenez vos outils électriques. Vérifiez que les pièces mobiles sont alignées correctement et qu'elles ne sont pas coincées. Vérifiez qu'aucune pièce n'est cassée et contrôlez l'absence de toute autre condition qui pourrait nuire au bon fonctionnement de l'outil. En cas de dommage, faites réparer l'outil électrique avant de le réutiliser.** De nombreux accidents sont provoqués par des outils électriques mal entretenus.

f. **Maintenez les organes de coupe affûtés et propres.** Des organes de coupe bien entretenus et dont le tranchant est affûté sont moins susceptibles de rester coincés et ils sont plus faciles à contrôler.

g. **Utilisez l'outil électrique, les accessoires et les embouts d'outils conformément à ces instructions, en tenant compte des conditions de travail et de la tâche à effectuer.** L'utilisation d'un outil électrique à des fins autres que celles pour lesquelles il a été prévu engendre des situations dangereuses.

h. **Veillez à ce que les poignées et les surfaces de préhension restent sèches et propres, sans trace d'huile ou de graisse.** Des poignées et des surfaces de préhension glissantes ne permettent pas de manipuler et de maîtriser l'outil correctement en cas de situations inattendues.

5. Utiliser et entretenir un outil fonctionnant sur batterie

a. **N'effectuez la recharge qu'à l'aide du chargeur spécifié par le fabricant.** Un chargeur adapté pour un type de bloc-batterie peut créer un risque d'incendie s'il est utilisé avec un bloc-batterie différent.

b. **N'utilisez les outils électriques qu'avec les blocs-batteries qui leur sont dédiés.** L'utilisation d'autres blocs-batteries peut créer un risque de blessures et d'incendie.

- c. **Lorsque le bloc-batterie n'est pas utilisé, éloignez-le des objets en métal comme les trombones, les pièces de monnaies, les clés, les clous, les vis ou d'autres petits objets métalliques qui pourraient créer une liaison entre les deux bornes.** La mise en court-circuit des bornes d'une batterie peut provoquer des brûlures ou un incendie.
- d. **Dans des conditions extrêmes, du liquide peut être éjecté de la batterie. Évitez tout contact avec ce liquide. En cas de contact accidentel, rincez à l'eau. En cas de contact avec les yeux, consultez en plus un médecin.** Le liquide sortant de la batterie peut provoquer des irritations ou des brûlures.
- e. **N'utilisez pas un bloc-batterie ou un outil qui est endommagé ou qui a été modifié.** Les batteries endommagées ou modifiées peuvent avoir un comportement imprévisible qui peut conduire à un incendie, une explosion ou à un risque de blessure.
- f. **N'exposez pas le bloc-batterie ou l'outil au feu ou à des températures excessives.** L'exposition au feu ou à des températures dépassant 130 °C peut provoquer une explosion. REMARQUE : La température "130 °C" peut être remplacée par la température "265 °F".
- g. **Respectez toutes les instructions de charge et ne rechargez pas le bloc-batterie ou l'outil en dehors de la plage de températures spécifiée dans la notice.** Une charge mal effectuée ou à des températures hors de la plage spécifiée peut endommager le bloc-batterie et augmenter le risque d'incendie.

6. Révision/Réparation

- a. **Ne faites réviser/réparer votre outil électrique que par un réparateur qualifié qui n'utilise que des pièces de rechange d'origine.** Cela permet de garantir la sûreté de l'outil électrique.
- b. **Ne réparez jamais des blocs-batteries endommagés.** Les réparations sur les blocs-batteries ne doivent être effectuées que par le fabricant ou l'un de ses prestataires de services agréés (ne concerne que les outils fonctionnant sur batterie).

Avertissements de sécurité générale propres aux tronçonneuses



Avertissement ! Consignes de sécurité supplémentaires pour tronçonneuses

- ◆ **Gardez toutes les parties de votre corps loin de la chaîne lorsque la tronçonneuse est en marche. Avant de démarrer la tronçonneuse, veillez à ce que la chaîne ne soit en contact avec aucun objet.**

Tout moment d'inattention pendant l'utilisation peut entraîner l'enchevêtrement de vos vêtements ou d'une partie de votre corps dans la tronçonneuse.

- ◆ **Tenez toujours la tronçonneuse avec votre main droite sur la poignée arrière et votre main gauche sur la poignée avant.** Ne tenez jamais la tronçonneuse en inversant la position des mains car cela augmenterait le risque de blessure.
- ◆ **Ne tenez la tronçonneuse que par ses surfaces de préhension isolées car il est possible que la chaîne entre en contact avec des fils cachés.** Tout contact d'une chaîne de tronçonneuse avec un fil sous tension peut mettre les parties métalliques exposées de la tronçonneuse sous tension et provoquer une décharge électrique à l'utilisateur.
- ◆ **Portez une protection oculaire. Des équipements de protection supplémentaires pour les oreilles, la tête, les mains, les jambes et les pieds sont recommandés.** Des équipements de protection appropriés permettent de réduire les éventuelles blessures dues à la projection de débris ou au contact accidentel avec la chaîne.
- ◆ **N'utilisez pas de tronçonneuse si vous êtes dans un arbre, sur une échelle, sur un toit ou sur tout support instable.** L'utilisation d'une tronçonneuse dans ces conditions peut occasionner de graves blessures.
- ◆ **Veillez à toujours adopter une posture stable et à n'utiliser la tronçonneuse qu'à condition d'être sur une surface fixe, sécurisée et de niveau.** Les surfaces glissantes ou instables, comme les échelles par exemple, peuvent provoquer une perte d'équilibre ou la perte de contrôle de la tronçonneuse.
- ◆ **Si vous coupez une branche comprimée, prenez garde à l'effet ressort (son redressement soudain).** Lorsque le bois reprend sa position, la branche peut frapper l'opérateur et/ou lui faire perdre le contrôle de la tronçonneuse.
- ◆ **Soyez extrêmement vigilant lorsque vous coupez des buissons et des arbustes.** Les tiges peuvent s'accrocher dans la chaîne et être éjectées vers vous ou vous faire perdre l'équilibre.
- ◆ **Transportez la tronçonneuse par la poignée avant, éteinte et éloignée de votre corps. Pour transporter ou ranger la tronçonneuse, installez toujours le cache du guide-chaîne.** La manipulation appropriée de la tronçonneuse réduit les risques de contact accidentel avec la chaîne en mouvement.
- ◆ **Respectez les instructions concernant la lubrification et la tension de la chaîne ainsi que celles concernant le changement des accessoires.** Une chaîne mal tendue ou mal graissée peut soit se casser, soit provoquer un rebond
- ◆ **Ne sciez que du bois. N'utilisez la tronçonneuse que pour les tâches auxquelles elle est destinée.**

N'utilisez par exemple pas la tronçonneuse pour scier du plastique, des matériaux de maçonnerie ou des matériaux de construction autre que le bois.

L'utilisation de la tronçonneuse à des fins autres que celles auxquelles elle est destinée peut engendrer des situations dangereuses.

- ◆ **Cette tronçonneuse n'est pas destinée à abattre des arbres.** L'utilisation de la tronçonneuse à des fins autres que celles auxquelles elle est destinée peut occasionner des blessures à l'utilisateur et aux personnes à proximité.
- ◆ **Respectez toutes les consignes pour supprimer un bourrage, ranger ou réviser/entretenir la tronçonneuse. Assurez-vous que l'interrupteur est sur Arrêt et que le bloc-batterie a été retiré.**

La mise en marche accidentelle de la tronçonneuse pendant la suppression d'un bourrage ou une opération d'entretien peut occasionner de graves blessures.

Avertissements de sécurité supplémentaires propres aux outils électriques



Avertissement ! Avertissements de sécurité supplémentaires, propres aux tronçonneuses.

L'utilisation prévue est décrite dans cette présente notice d'utilisation. N'utilisez pas l'outil pour autre chose que ce à quoi elle est destinée. Par exemple, ne l'utilisez pas pour abattre des arbres. L'utilisation d'un accessoire ou d'un équipement autre que ceux mentionnés ou l'utilisation de cet outil à d'autres fins que celles recommandées dans cette notice peuvent présenter un risque de blessures.

- ◆ Portez des vêtements ajustés et des équipements de protection comme un casque avec visière/écran, des protections auditives, des chaussures de sécurité antidérapantes, un pantalon renforcé et de solides gants en cuir.
- ◆ Veillez à ne pas vous placer sur la trajectoire de la chute des branches.
- ◆ La distance de sécurité entre une branche à couper et les personnes, les bâtiments ou d'autres objets à proximité, doit être au moins égale à deux fois et demi la longueur de la branche. Les personnes, les bâtiments ou les objets plus proches que cette distance risquent d'être heurtés par la branche au moment de sa chute.
- ◆ Prévoyez une zone de repli en fonction de la chute des branches. Assurez-vous qu'il n'y a aucun obstacle sur la voie de repli qui pourrait empêcher ou de gêner vos déplacements. N'oubliez pas que l'herbe mouillée et l'écorce fraîchement coupée sont glissantes.
- ◆ Assurez-vous de la présence d'une personne à proximité (tout en respectant les distances de sécurité) en cas d'accident.
- ◆ N'utilisez pas cet outil en étant dans l'arbre, sur une échelle ou une surface instable.

- ◆ Gardez les pieds bien ancrés au sol et conservez votre équilibre en permanence.
- ◆ Tenez fermement l'outil à deux mains lorsque le moteur tourne.
- ◆ Ne laissez jamais la chaîne en mouvement entrer en contact avec quoi que ce soit par le bout du guide-chaîne.
- ◆ Ne commencez la coupe qu'une fois la chaîne à pleine vitesse.
- ◆ N'essayez pas de réinsérer la chaîne dans un trait de coupe existant. Faites toujours une nouvelle entaille.
- ◆ Faites attention aux branches qui bougent ou aux autres forces qui pourraient refermer un trait de coupe et pincer ou entraver la chaîne.
- ◆ Ne tentez pas de couper une branche ayant un diamètre supérieur à la longueur de coupe de la tronçonneuse.
- ◆ Veillez à toujours retirer la batterie de l'outil et à réinstaller le carter de chaîne sur la chaîne pour ranger et transporter l'outil.
- ◆ Gardez la chaîne bien affûtée et correctement tendue. Vérifiez régulièrement la tension de la chaîne.
- ◆ Éteignez toujours l'outil, laissez la chaîne s'arrêter et retirez la batterie de l'outil avant toute opération de réglage, d'entretien ou de maintenance.
- ◆ N'utilisez que des pièces de rechange et des accessoires d'origine.
- ◆ **Veillez à ce que les poignées restent sèches et propres, exemptes d'huile ou de graisse.** Les poignées grasses sont glissantes ce qui entraîne une perte de contrôle.
- ◆ **Au cours de la vie du produit, la griffe peut devenir coupante. Manipulez-la avec précaution.**
- ◆ **Pendant l'utilisation, le guide-chaîne peut devenir très chaud, manipulez-le avec précaution.**

Causes et prévention des rebonds

Un rebond peut se produire si le nez ou la pointe du guide-chaîne touche un objet ou si le bois se referme et pince la chaîne dans le trait de coupe.

Le contact de la pointe peut dans certains cas provoquer une brusque réaction inverse qui soulève le guide-chaîne et l'entraîne vers de l'utilisateur.

Le pincement de la chaîne le long de la partie supérieure du guide-chaîne peut rapidement repousser le guide-chaîne vers l'utilisateur.

Ces réactions peuvent vous faire perdre le contrôle de la tronçonneuse, ce qui peut occasionner de graves blessures. Ne vous fiez pas uniquement aux dispositifs de sécurité intégrés à votre tronçonneuse. Vous devez, en utilisant la tronçonneuse, prendre plusieurs précautions afin d'éviter les accidents et les blessures.

Les rebonds sont le résultat d'une utilisation inappropriée de l'outil et/ou de conditions ou de procédures d'exécution incorrectes et ils peuvent être évités en prenant les précautions adéquates énoncées ci-dessous :

- ◆ **Maintenez fermement la tronçonneuse, pouces et doigts encerclant les poignées de la tronçonneuse. Avec les deux mains sur la tronçonneuse, placez votre corps et vos bras de manière à pouvoir résister à la force d'un rebond.** La force d'un rebond peut être contrôlée par l'utilisateur si les précautions nécessaires sont prises. Ne lâchez pas la tronçonneuse.
- ◆ **Ne vous penchez pas et ne sciez pas à une hauteur supérieure à celle de vos épaules.** Cela permet d'éviter le contact accidentel du bout de la chaîne et de mieux contrôler la tronçonneuse en cas de situations inattendues.
- ◆ **N'utilisez que des guide-chaînes et des chaînes de rechange prescrites par le fabricant.** L'utilisation de guide-chaînes et de chaînes inadéquates peut entraîner la rupture de la chaîne et/ou des rebonds.
- ◆ **Respectez les instructions du fabricant pour affûter et entretenir la chaîne.** La diminution de la hauteur de la jauge de profondeur, peut augmenter le risque de rebonds.

Recommandations pour la sécurité propres aux tronçonneuses

- ◆ Nous conseillons fortement aux novices d'obtenir des conseils pratiques sur l'utilisation de la tronçonneuse et sur les équipements de protection de la part d'un utilisateur expérimenté. La première utilisation devrait se cantonner à la découpe de bûches sur un chevalet.
- ◆ Pour transporter la tronçonneuse, nous vous recommandons de retirer la batterie et de tenir la tronçonneuse avec la chaîne vers l'arrière.
- ◆ Prenez soin de votre tronçonneuse quand vous ne l'utilisez pas. Ne rangez pas votre tronçonneuse pour une longue période sans avoir d'abord retiré la chaîne et le guide-chaîne qui peuvent être conservés dans un bain d'huile. Rangez toutes les pièces de votre tronçonneuse dans un endroit sûr, au sec et hors de portée des enfants.
- ◆ Nous vous recommandons de vidanger le réservoir d'huile avant de ranger la tronçonneuse.
- ◆ Faites attention à votre posture et prévoyez un plan d'évacuation loin du point de chute de l'arbre abattu ou des branches coupées.
- ◆ Utilisez des cales pour contrôler l'abattage et éviter de plier le guide-chaîne et la chaîne dans le trait de coupe.
- ◆ Entretien de la chaîne. Assurez-vous que la chaîne est bien affûtée et bien ajustée sur le guide de chaîne. Veillez à ce que la chaîne et le guide-chaîne restent propres et bien graissés. Veillez à garder les poignées sèches et propres, exemptes d'huile ou de graisse.

Un rebond peut se produire si :

- ◆ Vous heurtez des branches ou d'autres objets accidentellement avec la pointe de la scie lorsque la chaîne tourne.
- ◆ Vous heurtez du métal, du ciment ou tout autre matériau dur à proximité ou enfoui dans le bois.
- ◆ La chaîne est émoussée ou lâche.
- ◆ Vous sciez au-dessus de la hauteur de l'épaule.
- ◆ Vous faites preuve d'inattention en tenant ou guidant la tronçonneuse pendant la coupe.
- ◆ Vous vous penchez. Adoptez une posture stable, gardez votre équilibre en permanence et ne vous penchez pas.
- ◆ N'essayez pas de réinsérer la chaîne dans une entaille existante. Cela pourrait provoquer un rebond. Recommencez une nouvelle coupe à chaque fois.
- ◆ Nous vous conseillons fortement de ne pas utiliser votre tronçonneuse si vous êtes dans un arbre, sur une échelle ou sur toute autre surface instable. Si vous décidez de le faire, soyez conscient du fait que ces postures sont extrêmement dangereuses.
- ◆ Si vous sciez une branche comprimée, faites attention à l'effet "ressort" pour ne pas être touché au moment où la pression sera relâchée.

Évitez de scier :

- ◆ Du bois préparé.
- ◆ Dans le sol.
- ◆ Les clôtures grillagées, les clous, etc.
- ◆ Des buissons ou des arbustes de petites tailles car les tiges fines peuvent s'accrocher dans la chaîne et être éjectées vers vous ou vous déséquilibrer.
- ◆ N'utilisez pas votre tronçonneuse au-dessus du niveau de vos épaules.
- ◆ Assurez-vous de la présence d'une personne à proximité (tout en respectant les distances de sécurité) en cas d'accident.
- ◆ Si vous devez toucher la chaîne pour une quelconque raison, veillez à bien avoir débranché la tronçonneuse.
- ◆ Le bruit émis par ce produit peut dépasser 80 dB(A). Nous vous recommandons donc vivement de prendre les mesures appropriées pour protéger vos oreilles

Risques résiduels.

Certains risques résiduels autres que ceux mentionnés dans les avertissements sur la sécurité peuvent survenir en utilisant l'outil. Ces risques peuvent être dus à une utilisation incorrecte, une utilisation prolongée, etc.

Malgré le respect de toutes les réglementations pertinentes sur la sécurité et la mise en œuvre de dispositifs de sécurité, certains risques résiduels ne peuvent pas être évités. Ils comprennent :

- ◆ Les blessures dues au contact avec des pièces mobiles/ en rotation.

- ◆ Les blessures dues au changement de pièces, de lames ou d'accessoires.
- ◆ Les blessures dues à l'utilisation prolongée d'un outil. Lorsque vous utilisez un outil quel qu'il soit pendant de longues périodes, veillez à faire des pauses régulières.
- ◆ Les troubles de l'ouïe.
- ◆ Les risques pour la santé dus à l'inhalation des poussières émises pendant l'utilisation de l'outil (exemple : travail avec du bois, surtout le chêne, le hêtre et les panneaux en MDF).



Portez toujours des chaussures de sécurité anti-dérapantes.



Tenez toujours la tronçonneuse à deux mains.



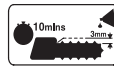
Faites attention aux rebonds de la tronçonneuse et évitez tout contact avec le bout du guide-chaîne.



N'utilisez pas la tronçonneuse d'une seule main



Attention à la chute d'objets. Gardez à distance les personnes à proximité



Afin de veiller à la sûreté d'utilisation, contrôlez la tension de la chaîne de la façon décrite dans cette notice, toutes les 10 minutes d'utilisation et réglez son espacement à 3 mm si nécessaire. Graissez la chaîne toutes les 10 minutes d'utilisation.



Avertissement ! Ne touchez pas la chaîne là où elle éjecte les copeaux



Sens de rotation de la chaîne.



Afin de garantir la sûreté d'utilisation, la chaîne et le guide-chaîne ne doivent être remplacés que par des pièces BLACK+DECKER d'origine. Chaîne de rechange, numéro de pièce A6158. Guide-chaîne de rechange, numéro de pièce 90619609.



Éteignez l'outil. Avant de réaliser toute opération de maintenance sur l'outil, retirez-en la batterie.



Puissance sonore garantie selon la Directive 2000/14/CE.

Vibrations

Les valeurs d'émission déclarées pour les vibrations et le bruit mentionnées dans les caractéristiques techniques et la déclaration de conformité ont été mesurées selon une méthode de test standard fournie par la norme EN 62841 et elles peuvent être utilisées pour comparer un outil à un autre. Les valeurs d'émission déclarées pour les vibrations et le bruit peuvent aussi être utilisées pour une évaluation préliminaire à l'exposition.

Avertissement ! En fonction de la manière dont l'outil est utilisé, la valeur réelle des vibrations et du bruit émis pendant son utilisation peut différer de la valeur déclarée. Le niveau des vibrations peut dépasser le niveau déclaré.

Quand l'exposition aux vibrations est évaluée afin de déterminer les mesures de sécurité requises par la norme 2002/44/CE pour protéger les personnes utilisant régulièrement des outils électriques, l'estimation de l'exposition aux vibrations doit tenir compte des conditions réelles d'utilisation et de la façon dont l'outil est utilisé. Il faut également tenir compte de toutes les composantes du cycle de fonctionnement comme les durées pendant lesquelles l'outil est arrêté et quand il fonctionne au ralenti, ainsi que la durée du déclenchement.

Étiquettes apposées sur l'outil

Les pictogrammes qui suivent figurent sur l'outil avec le code date :



Avertissement ! Afin de réduire le risque de blessures, l'utilisateur doit lire la notice d'utilisation.



N'exposez pas votre outil à la pluie ou à l'humidité



Veillez à toujours porter un casque, des lunettes de protection et des protections auditives.



Veillez à toujours porter des gants.

Consignes de sécurité supplémentaires propres aux batteries et aux chargeurs

Batteries

- ◆ Ne tentez de les ouvrir sous aucun prétexte.
- ◆ N'exposez pas la batterie à l'eau.
- ◆ N'approchez pas la batterie d'une source de chaleur.

- ◆ Ne la rangez pas dans des endroits où la température peut dépasser 40°C.
- ◆ Ne procédez à la charge qu'à une température ambiante comprise entre 10°C et 40°C.
- ◆ N'utilisez que le chargeur fournis avec l'appareil/outil. L'utilisation d'un chargeur inadapté peut conduire à une décharge électrique ou à la surchauffe de la batterie.
- ◆ Au moment de jeter les batteries, respectez les instructions mentionnées dans la section "Protection de l'environnement".
- ◆ Ne déformez/n'endommagez pas le bloc-batterie en le perçant ou en le cognant car cela pourrait entraîner des blessures et un incendie.
- ◆ Ne rechargez pas des batteries endommagées.

Dans des conditions extrêmes, une batterie peut fuir. Si vous détectez une fuite, utilisez un chiffon pour essuyer le liquide avec précaution. Évitez tout contact avec la peau.

En cas de contact avec les yeux, respectez les consignes mentionnées ci-dessous.

Avertissement ! Le liquide de la batterie peut provoquer des blessures ou des dégâts matériels. En cas de contact avec la peau, rincez immédiatement à l'eau. Si des rougeurs, une douleur ou une irritation se produisent, consultez un médecin. En cas de contact avec les yeux, rincez immédiatement à l'eau et consultez un médecin.

Chargeurs

Avertissement ! Votre chargeur a été conçu pour une tension spécifique. Vérifiez toujours que la tension du réseau électrique correspond à la tension mentionnée sur la plaque signalétique.

Avertissement ! N'essayez jamais de remplacer le module de charge par une prise de courant ordinaire.

- ◆ N'utilisez votre chargeur BLACK+DECKER que pour recharger la batterie fournie avec l'appareil/outil. Les autres batteries pourraient exploser et entraîner des blessures et des dommages.
- ◆ Ne tentez jamais de recharger des piles non rechargeables.
- ◆ Si le câble d'alimentation est endommagé, il doit être remplacé par le fabricant ou par un centre d'assistance agréé BLACK+DECKER afin d'éviter tout risque.
- ◆ N'exposez pas le chargeur à l'eau.
- ◆ N'ouvrez pas le chargeur.
- ◆ Ne sondez pas le chargeur.
- ◆ Pendant la charge, le chargeur doit être placé dans un endroit bien aéré.

Étiquettes apposées sur le chargeur

Les symboles suivants se trouvent sur votre chargeur :



Le chargeur est destiné à être exclusivement utilisé à l'intérieur.



Lisez la notice avant de l'utiliser.

Sécurité électrique



Votre chargeur dispose d'une double isolation, aucune liaison à la terre n'est donc nécessaire. Vérifiez toujours que la tension du réseau électrique correspond à la tension mentionnée sur la plaque signalétique. N'essayez jamais de remplacer le module de charge par une prise de courant ordinaire.

- ◆ Si le câble d'alimentation est endommagé, il doit être remplacé par le fabricant ou par un centre d'assistance agréé BLACK+DECKER afin d'éviter tout risque.

Caractéristiques

1. Interrupteur Marche/Arrêt
2. Bouton de verrouillage
3. Bouchon d'huile
4. Réservoir d'huile
5. Protège-main avant
6. Carter de chaîne
7. Vis de réglage de tension de chaîne
8. Chaîne
9. Guide-chaîne
10. Batterie
11. Fourreau de la chaîne
12. Chargeur

Assemblage

Avertissement ! Avant l'assemblage, retirez la batterie (10) de l'outil.

Installer et retirer la batterie (Fig. A)

- ◆ Pour installer la batterie (10), alignez-la dans le compartiment sur l'outil. Glissez la batterie (10) dans le compartiment et poussez-la jusqu'à ce qu'elle s'enclenche en place.
- ◆ Pour retirer la batterie (10), enfoncez le bouton de libération (24) tout en tirant sur la batterie (10) pour la sortir.

Avertissement ! Afin d'éviter tout accident pendant l'utilisation, veillez à retirer la batterie et à installer le fourreau (11) sur la chaîne (8) avant de réaliser les opérations suivantes. Le non-respect de cette consigne peut occasionner de graves blessures.

Recharger la batterie (Fig. B)

La batterie doit être rechargée avant la première utilisation et chaque fois qu'elle n'apporte plus assez de puissance pour les travaux réalisés sans peine auparavant. La batterie peut devenir chaude pendant la charge. Ce phénomène est normal et n'indique pas un problème.

Avertissement ! Ne rechargez pas la batterie à une température ambiante inférieure à 10 °C ou supérieure à 40 °C. La température recommandée est d'environ 24 °C.

Remarque : Le chargeur ne recharge pas la batterie si la température de la cellule est inférieure à environ 10 °C ou supérieure à 40 °C. La batterie doit alors être laissée dans le chargeur qui démarre automatiquement la charge quand la température de la cellule augmente ou diminue.

- ◆ Pour recharger la batterie (10), insérez-la dans le chargeur (12). La batterie ne peut être insérée dans le chargeur que dans un seul sens. Ne forcez pas. Veillez à ce que la batterie soit correctement installée dans le chargeur.
 - ◆ Branchez le chargeur au secteur.
- Le témoin de charge (23) clignote.
La charge est terminée lorsque le témoin de charge (23) reste allumé en fixe. La batterie peut rester dans le chargeur indéfiniment. Le témoin s'allume alors dès que le chargeur complète la charge de la batterie.
- ◆ Veillez à recharger les batteries dans un délai d'une semaine. La durée de vie de la batterie est considérablement diminuée si elle est stockée déchargée.

Laisser la batterie dans le chargeur

Le chargeur et le bloc-batterie peuvent rester raccordés avec le voyant allumé en continu. Le chargeur maintient le bloc-batterie complètement chargé.

Installer et retirer la chaîne (Fig. C–E, G)



Veillez à toujours porter des gants de protection pour installer ou retirer la chaîne (8). La chaîne est tranchante et elle peut vous couper, même à l'arrêt.

- ◆ Placez l'outil sur une surface dure et stable.
- ◆ Desserrez les deux vis Allen (14) à l'aide de la clé Allen (21) fournie. Retirez les vis Allen (14).
- ◆ Retirez le carter de chaîne (6).
- ◆ Tournez la vis de réglage de la tension de la chaîne (7) dans le sens des aiguilles d'une montre pour rétracter le guide-chaîne (9) et réduire la tension de la chaîne (8).
- ◆ Retirez la chaîne usagée (8) du pignon (15) et du guide-chaîne (9).
- ◆ Placez la chaîne neuve (8) dans la rainure du guide-chaîne (9) et autour du pignon (15). Les dents doivent être correctement orientées en faisant correspondre la flèche sur la chaîne (8) avec la flèche sur le carter de chaîne (6).

- ◆ Veillez à ce que la fente (17) dans le guide-chaîne (9) se trouve au-dessus des ergots de centrage (18) et que le trou (20) sous la fente se trouve au-dessus de l'ergot de réglage (19).
- ◆ Installez le carter de chaîne (6) et les deux vis Allen (14).
- ◆ Serrez les vis Allen (14) à l'aide de la clé Allen (21) fournie.
- ◆ Réglez la tension de la chaîne comme décrit ci-dessous.

Contrôler et régler la tension de la chaîne (Fig. C–F)

- ◆ Vérifiez la tension de la chaîne. La tension est correcte si la chaîne (8) se revient en place après avoir été légèrement tirée à 3 mm du guide-chaîne (9) avec le majeur et le pouce. Il ne doit pas y avoir de "jeu" entre le guide-chaîne (9) et la chaîne (8) sur le dessous.

Pour régler la tension :

- ◆ Desserrez les deux vis Allen (14).
- ◆ Tournez la vis de réglage de la tension de la chaîne (7) dans le sens des aiguilles d'une montre.

Avertissement ! Veillez à ne pas trop tendre la chaîne car cela entraînerait une usure excessive et réduirait la durée de vie du guide-chaîne et de la chaîne.

- ◆ Resserrez les deux vis Allen (14), une fois la chaîne correctement tendue.

Avertissement ! Si la chaîne est neuve, contrôlez souvent sa tension pendant les deux premières heures d'utilisation car les chaînes neuves ont tendance à se détendre légèrement.

Remplir le réservoir d'huile (Fig. G)

- ◆ Enlevez le bouchon d'huile (3) et remplissez le réservoir (4) avec l'huile pour chaîne recommandée. Le niveau d'huile est visible sur la jauge à huile (4). Revissez le bouchon d'huile (3).
- ◆ Éteignez régulièrement la tronçonneuse pour contrôler le niveau d'huile. Si le niveau d'huile est inférieur à un quart, retirez la batterie (10) de l'outil et remplissez le réservoir (4) avec de l'huile du bon type.

Graisser la chaîne (Fig. G)

La chaîne (8) doit être graissée avant chaque utilisation et après le nettoyage et uniquement avec le bon type d'huile (cat. n° A6027).

- ◆ Lubrifiez la chaîne (8) en appuyant deux fois pendant 3 à 4 secondes sur le doseur sur le bouchon d'huile (3) avant chaque coupe.

Utilisation

Mettre la machine en marche et l'éteindre (Fig. G)

Avertissement ! Laissez l'outil fonctionner à son propre rythme. Ne la sur-sollicitez pas.

Pour votre sécurité, cet outil est équipé d'un double système de mise en marche. Ce système empêche tout démarrage accidentel.

Mise en marche

- ◆ Appuyez le bouton de verrouillage (2) et, en même temps, sur l'interrupteur Marche/Arrêt (1).
- ◆ Relâchez le bouton de verrouillage (2).

Extinction

- ◆ Relâchez l'interrupteur Marche/Arrêt (1).

Avertissement ! N'essayez jamais de bloquer l'interrupteur en position Marche.

Élaguer des arbres (Fig. H)

Assurez-vous que la législation ou les réglementations locales n'interdisent ou ne limitent pas l'élagage.

L'élagage ne doit être effectué que par des utilisateurs expérimentés, car il existe un risque accru de pincer la chaîne (8) et de rebond.

Avant l'élagage, tenez compte de toutes les conditions pouvant affecter le sens de la chute, notamment :

- ◆ La longueur et le poids de la branche à couper.
- ◆ Toute détérioration ou défaut important de la structure d'une branche maîtresse.
- ◆ Les arbres environnants et les obstacles, en particulier les lignes aériennes.
- ◆ La vitesse et le sens du vent.
- ◆ Une branche entrelacée dans d'autres branches.

L'utilisateur doit prendre en compte l'accès à la branche et le sens de sa chute. La branche peut se balancer en direction du tronc de l'arbre. Cela peut mettre en danger les personnes, les objets et les bâtiments présents sous la branche.

Pour éviter les éclats, faites une première coupe de bas en haut à une profondeur maximum d'un tiers du diamètre de la branche. Puis, faites une seconde coupe de haut en bas pour rejoindre la première.

Petits travaux de coupe (Fig. I)

La façon de scier dépend de la façon dont la bûche est soutenue. Si possible, utilisez un chevalet. Commencez toujours la coupe, tronçonneuse (8) en marche et avec la griffe en contact avec le bois. Pour terminer la coupe, faites pivoter la griffe contre le bois.

Lorsque la bûche est soutenue sur toute sa longueur :

- ◆ Sciez de haut en bas mais évitez de toucher le sol pour ne pas émousser la tronçonneuse.

Lorsque la bûche est soutenue aux deux extrémités :

- ◆ Coupez d'abord la bûche vers le bas sur un tiers de sa hauteur pour éviter qu'elle ne se fende. Puis, réalisez une seconde entaille qui rejoindra la première. Lorsque la bûche est soutenue à une extrémité :
- ◆ Sciez d'abord un tiers de bas en haut pour éviter pour éviter qu'elle ne se fende, puis sciez de haut en bas. En pente :

- ◆ Faites toujours face à la pente. Si vous utilisez un chevalet (Fig. I) : Cette pratique est vivement conseillée.
- ◆ Placez la bûche dans une position stable. Sciez toujours à l'extérieur des pieds du chevalet. Utilisez des fixations ou des sangles pour maintenir la bûche.

Nettoyage, maintenance et rangement

Votre outil BLACK+DECKER a été conçu pour fonctionner longtemps avec un minimum d'entretien.

Le fonctionnement continu et satisfaisant dépend de son bon entretien et de son nettoyage régulier.

Votre chargeur ne nécessite aucun entretien particulier, à l'exception d'un nettoyage régulier.

Avertissement ! Avant de réaliser toute tâche de maintenance sur l'outil, retirez la batterie. Débranchez le chargeur avant de le nettoyer.

Après utilisation et avant remisage

Nettoyez régulièrement les trous d'aération à l'aide d'un pinceau propre et sec.

Pour nettoyer l'outil, n'utilisez que du savon doux et un chiffon humide. Ne laissez jamais aucun liquide pénétrer à l'intérieur de l'outil et ne plongez aucune de ses pièces dans aucun liquide.

- ◆ Retirez tous les débris à l'aide d'une brosse dure.
- ◆ Graissez la chaîne (8) avec de l'huile.

Affûter la chaîne

Pour optimiser les performances de l'outil, il est important que les dents de la chaîne soient toujours bien affûtées.

Les instructions relatives à cette opération sont fournies avec le kit d'affûtage. Pour ce faire, nous vous conseillons d'acheter le kit d'affûtage BLACK+DECKER, disponible auprès de votre revendeur BLACK+DECKER (n° cat A6039).

Remplacer une chaîne et/ou un guide-chaîne usés ou endommagés

Des chaînes de rechange sont disponibles auprès des revendeurs et des prestataires de services BLACK+DECKER (A6158), des guide-chaînes de rechange ne sont disponibles qu'auprès des prestataires de services BLACK+DECKER (90517720).

Afin d'éviter tout risque de blessure, veillez à n'utiliser que des chaînes et des guide-chaînes BLACK+DECKER d'origine. Utilisez toujours des pièces détachées d'origine.

Tranchant de la chaîne

Les dents de la chaîne s'émoussent immédiatement si elles touchent le sol ou un clou pendant la coupe.

Tension de la chaîne

Vérifiez régulièrement la tension de la chaîne.

Que faire si votre tronçonneuse doit être réparée ?

Cet outil est conforme aux normes de sécurité en vigueur.

Les réparations ne doivent être effectuées que par des personnes qualifiées utilisant des pièces détachées d'origine, sous peine d'exposer l'utilisateur à de graves dangers. Nous vous conseillons de conserver cette notice dans un endroit sûr.

Rangement

Lorsque l'outil n'est pas utilisé pendant plusieurs mois, laissez si possible la batterie (10) connectée au chargeur.

Sinon, procédez comme suit :

- ◆ Retirez la batterie (10) de l'outil.
- ◆ Rechargez complètement la batterie (10).
- ◆ Rangez l'outil et la batterie et (10) dans un endroit sûr et sec. La température de stockage doit toujours être comprise entre +10°C et +40°C. Posez la batterie (10) sur une surface de niveau.
- ◆ Après une longue période de stockage, rechargez complètement la batterie (10) avant de réutiliser l'outil

Protection de l'environnement



Tri sélectif. Les produits et piles/batteries marqués de ce symbole ne doivent pas être jetés avec les déchets ménagers.

Les produits et les piles/batteries contiennent des matières qui peuvent être récupérées et recyclées afin de réduire la demande en matières premières.

Veillez à recycler les produits électriques et les piles/batteries conformément aux prescriptions locales en vigueur. Pour plus d'informations, consultez le site www.2helpU.com

Caractéristiques techniques

GKC1820L 20 Type 3		
Tension	V_{CC}	18
Vitesse de la chaîne (à vide)	m/min	190
Poids	kg	1,55
Batterie BL2018		
Tension	V_{CC}	18
Capacité	Ah	2,0
Type		Li-Ion
Chargeur 905902**TYPE 1		
Tension d'entrée	V_{CA}	100-240
Tension de sortie	V_{CC}	8-20
Courant de sortie	mA	400

Niveau de pression sonore garanti selon la norme EN62841 :

LpA (niveau de pression sonore émise) 78 dB(A), incertitude (K) 3 dB(A)
LwA (niveau de puissance sonore mesuré) 94 dB(A), incertitude (K) 1,9 dB (A)

Valeurs totales des vibrations (somme vectorielle triaxiale) selon la norme EN 62841 :

Valeur des vibrations émises (a_{Hv}) = 5,5 m/s², incertitude (K) = 1,5 m/s²

Déclaration de conformité CE

DIRECTIVES MACHINES



GKC1820L 20 – Tronçonneuse compacte
Black & Decker certifie que les produits décrits dans les "Caractéristiques techniques" sont en conformité avec :
2006/42/CE,

EN 62841-1:2015+A11:2022, EN 62841-4-1:2020
LWA (niveau de puissance sonore mesuré) 94 dB(A),
incertitude (K) = 1,9 dB (A),
LWA (puissance sonore garantie) 96 dB(A)

Ces produits sont également conformes aux Directives
2014/30/UE et 2011/65/UE.

Pour plus de précisions, veuillez contacter Black & Decker à l'adresse qui suit ou consulter le dos de la présente notice. Le soussigné est responsable de la compilation du dossier technique il fait cette déclaration au nom de Black & Decker.

Patrick Diepenbach

Patrick Diepenbach
General Manager, Benelux
Black & Decker,
Egide Walschaertsstraat 14-18
2800 Mechelen, Belgique
08/09/2022

Garantie

Black & Decker est sûr de la qualité de ses produits et offre une garantie de 24 mois aux utilisateurs, à partir de la date d'achat.

Cette garantie s'ajoute à vos droits légaux auxquels elle ne porte aucunement préjudice.

Cette garantie est valable au sein des territoires des états membres de l'Union européenne, de la zone européenne de libre-échange et du Royaume-Uni.

Pour prétendre à la garantie, la réclamation doit être en conformité avec les conditions générales de Black & Decker et vous devez fournir une preuve d'achat au vendeur ou au réparateur agréé.

Les conditions générales de la garantie de 2 ans Black & Decker ainsi que l'adresse du réparateur agréé le plus proche sont disponibles sur le site Internet www.2helpU.com ou en contactant votre agence Black & Decker locale à l'adresse indiquée dans la présente notice.

Consultez notre site Internet www.blackanddecker.co.uk pour enregistrer votre nouveau produit BLACK+DECKER et pour être tenu informé des nouveautés et des offres spéciales.

Uso previsto

La motosega compatta BLACK+DECKER™, GKC1820L 20 è stata progettata per applicazioni leggere di taglio e potatura. Questo utensile è destinato esclusivamente all'uso privato.

Istruzioni di sicurezza

Avvertenze di sicurezza generali riguardanti gli elettroutensili



Avvertenza! Leggere attentamente tutte le avvertenze, istruzioni, illustrazioni e specifiche fornite con l'elettroutensile. La mancata osservanza delle istruzioni seguenti può dar luogo a scosse elettriche, incendi e/o lesioni gravi.

Conservare tutte le avvertenze e le istruzioni per riferimenti futuri. Il termine "elettroutensile" utilizzato in tutte le avvertenze elencate di seguito fa riferimento sia agli utensili alimentati tramite una rete elettrica (con cavo) che agli utensili elettrici a batteria (senza cavo).

1. Sicurezza dell'area di lavoro

- Mantenere pulita e bene illuminata l'area di lavoro.** Gli ambienti disordinati o scarsamente illuminati favoriscono gli incidenti.
- Evitare di usare gli elettroutensili in ambienti esposti al rischio di esplosione, come ad esempio in presenza di liquidi, gas o polveri infiammabili.** Gli elettroutensili generano scintille che potrebbero incendiare polveri o fumi.
- Tenere a distanza bambini e altre persone presenti mentre si usa un elettroutensile.** Eventuali distrazioni possono provocare la perdita di controllo.

2. Sicurezza elettrica

- Le spine elettriche degli elettroutensili devono essere adatte alla presa di corrente. Non modificare la spina in alcun modo. Non utilizzare spine con adattatore con un elettroutensile dotato di messa a terra.** Per ridurre il rischio di scosse elettriche evitare di modificare le spine e utilizzare sempre le prese di corrente appropriate.
- Evitare il contatto fisico con superfici collegate a terra, come tubi, radiatori, forni e frigoriferi.** Se il corpo dell'operatore è collegato a terra, il rischio di scosse elettriche aumenta.
- Non esporre gli elettroutensili alla pioggia o all'umidità.** Se dovesse penetrare dell'acqua all'interno di un elettroutensile il rischio di scosse elettriche aumenta.
- Non utilizzare il cavo di alimentazione in modo improprio.**

Non spostare, tirare o scollegare mai un elettroutensile dalla presa di corrente tirandolo dal cavo di alimentazione. Tenere il cavo di alimentazione lontano da fonti di calore, olio, bordi taglienti o parti in movimento. Se il cavo di alimentazione è danneggiato o impigliato, il rischio di scosse elettriche aumenta.

- Quando un elettroutensile viene usato all'aperto, utilizzare unicamente prolunghe omologate per l'impiego all'esterno.** L'uso di un cavo idoneo per esterni riduce il rischio di scosse elettriche.
- Laddove non sia possibile evitare di utilizzare un elettroutensile in una zona umida, collegarsi a una rete elettrica protetta da un dispositivo a corrente residua (RCD).** L'uso di un RCD riduce il rischio di scosse elettriche.

3. Sicurezza personale

- Quando si utilizza un elettroutensile evitare di distrarsi. È importante concentrarsi su quello che si sta facendo e usare il buon senso. Non utilizzare un elettroutensile quando si è stanchi o sotto l'effetto di sostanze stupefacenti, alcool o medicinali.** Un solo attimo di distrazione durante l'uso di un elettroutensile potrebbe provocare gravi lesioni personali.
- Indossare dispositivi di protezione individuale. Indossare sempre occhiali di sicurezza.** L'impiego di dispositivi di protezione individuale, quali maschere antipolvere, scarpe antinfortunistiche antiscivolo, elmetti di sicurezza o protezioni per l'udito, nelle condizioni opportune, consente di ridurre le lesioni personali.
- Prevenire l'avvio involontario. Accertarsi che l'interruttore sia nella posizione di spegnimento, prima di collegare l'elettroutensile alla rete elettrica e/o alla batteria, di prenderlo in mano o di trasportarlo.** Per non esporsi al rischio di incidenti, non trasportare gli elettroutensili tenendo le dita sull'interruttore e non collegarlo a una fonte di alimentazione elettrica con l'interruttore in posizione di accensione.
- Prima di accendere un elettroutensile, rimuovere eventuali chiavi o utensili di regolazione.** Un utensile di regolazione o una chiave inseriti in una parte rotante dell'elettroutensile possono provocare lesioni personali.
- Non sbilanciarsi. Mantenere sempre un appoggio e un equilibrio adeguati.** In tal modo è possibile mantenere un migliore controllo dell'elettroutensile nelle situazioni impreviste.
- Vestirsi in modo adeguato. Non indossare abiti larghi o gioielli. Tenere i capelli, gli indumenti e i guanti lontano dalle parti mobili.** Abiti non aderenti, gioielli o capelli lunghi possono impigliarsi nelle parti in movimento.

g. Se gli elettroutensili sono provvisti di attacchi per il collegamento di dispositivi di aspirazione o di raccolta della polvere, assicurarsi che questi ultimi siano installati e utilizzati correttamente. L'impiego di dispositivi di aspirazione delle polveri può ridurre i pericoli legati alle stesse.

h. Non lasciare che la dimestichezza acquisita dall'uso frequente degli elettroutensili induca a cedere alla tentazione di ignorare i principi di utilizzo sicuro degli stessi. Un'azione imprudente potrebbe provocare lesioni personali gravi in una frazione di secondo.

4. Uso e cura dell'elettroutensile

a. Non forzare l'elettroutensile. Utilizzare l'elettroutensile corretto per il lavoro da eseguire. L'elettroutensile corretto funziona meglio e in modo più sicuro, se utilizzato alla velocità per cui è stato progettato.

b. Non usare l'elettroutensile se l'interruttore di accensione/spengimento non funziona. Qualsiasi elettroutensile che non possa essere controllato tramite l'interruttore è pericoloso e deve essere riparato.

c. Scollegare la spina dalla presa di corrente e/o il pacco batteria dall'elettroutensile, prima di effettuare qualsiasi tipo di regolazione, cambiare gli accessori o riporlo. Queste misure di sicurezza preventive riducono il rischio di azionare accidentalmente l'elettroutensile.

d. Quando non vengono usati, gli elettroutensili devono essere custoditi fuori dalla portata dei bambini. Non consentire l'uso dell'elettroutensile a persone inesperte o che non abbiano letto questo manuale di istruzioni. Gli elettroutensili sono pericolosi in mano a persone inesperte.

e. Sottoporre gli elettroutensili a regolare manutenzione. Verificare che le parti mobili siano correttamente allineate e non inceppate, che non vi siano componenti rotti e che non sussistano altre condizioni che possano compromettere il funzionamento dell'elettroutensile. Se l'elettroutensile è danneggiato, farlo riparare prima dell'uso. Molti incidenti sono provocati da elettroutensili non sottoposti a una corretta manutenzione.

f. Mantenere affilati e puliti gli utensili da taglio. La manutenzione corretta degli utensili da taglio con bordi affilati riduce le probabilità di inceppamento e ne facilita il controllo.

g. Utilizzare l'elettroutensile, gli accessori, le punte, ecc. in conformità a queste istruzioni, tenendo conto delle condizioni operative e del lavoro da eseguire. L'utilizzo dell'elettroutensile per impieghi diversi da quelli previsti può provocare situazioni di pericolo.

H. Mantenere le impugnature e le superfici di presa asciutte, pulite e senza tracce di olio o grasso.

Impugnature e superfici di presa scivolose non consentono di maneggiare e controllare in modo sicuro l'elettroutensile nel caso di imprevisti.

5. Uso e cura della batteria dell'elettroutensile

a. Ricaricare la batteria esclusivamente con il caricabatterie specificato dal produttore. Un caricabatterie adatto a un determinato tipo di pacco batteria può provocare un rischio di incendio se utilizzato con un pacco batteria diverso.

b. Usare gli elettroutensili esclusivamente con i pacchi batteria specificamente progettati per gli stessi. L'uso di qualsiasi altro pacco batteria comporta il rischio di lesioni personali e d'incendio.

c. Se il pacco batteria non è in uso, tenerlo lontano da oggetti di metallo come fermagli, monete, chiavi, chiodi, viti o altri piccoli oggetti metallici che possono provocare un contatto dei terminali. Se i terminali della batteria venissero cortocircuitati potrebbero provocare ustioni o un incendio.

d. In condizioni di uso improprio, dalla batteria potrebbe fuoriuscire del liquido. Evitare di toccarlo. In caso di contatto accidentale, sciacquare la pelle con abbondante acqua. Se il liquido dovesse entrare a contatto con gli occhi, rivolgersi anche a un medico. Il liquido che fuoriesce dalla batteria può causare irritazioni o ustioni.

e. Non utilizzare una batteria o un utensile danneggiati o modificati. Le batterie danneggiate o modificate potrebbero manifestare un comportamento imprevedibile, con la possibilità di causare un'esplosione o un incendio.

f. Non esporre una batteria o un utensile al fuoco o a temperature eccessivamente elevate. L'esposizione al fuoco o a una temperatura superiore a 130 °C potrebbe provocare un'esplosione. NOTA: 130 °C di temperatura corrispondono a una temperatura di 265 °F.

g. Seguire tutte le istruzioni per la carica e non caricare la batteria o l'elettroutensile a una temperatura che non rientri nell'intervallo di valori specificato nelle istruzioni. Una carica effettuata in maniera scorretta o a una temperatura che non rientra nell'intervallo di valori specificato, potrebbe danneggiare la batteria aumentando il rischio d'incendio.

6. Assistenza

a. L'elettroutensile deve essere riparato da personale qualificato, che utilizzi ricambi originali identici alle parti da sostituire. In questo modo viene garantita la sicurezza dell'elettroutensile.

b. Non riparare pacchi batteria danneggiati. Gli interventi di riparazione sui pacchi batteria devono essere eseguiti dal produttore o da fornitori di assistenza autorizzati (solo per gli elettroutensili a batteria).

Avvertenze generali di sicurezza per gli elettroutensili



Avvertenza! Ulteriori avvisi di sicurezza per le motoseghe

- ◆ **Mantenere ogni parte del corpo lontana dalla motosega durante l'impiego.** Prima di accendere la motosega, assicurarsi che la catena non sia a contatto con alcun oggetto. Un attimo di distrazione durante l'impiego della motosega può far impigliare l'abbigliamento o parti del corpo nella motosega stessa.
- ◆ **Tenere sempre la motosega con la mano destra sull'impugnatura posteriore e quella sinistra sull'impugnatura anteriore.** Tenere la motosega con le mani nella posizione contraria rispetto a quanto consigliato aumenta il rischio di lesioni personali: non bisogna mai farlo.
- ◆ **Afferrare l'elettrosega solo dall'impugnatura con materiale isolante, dato che l'elettroutensile potrebbe venire a contatto con cavi nascosti.** Il contatto tra la catena dell'elettrosega e un filo elettrico sotto tensione metterebbe sotto tensione anche le parti metalliche esposte dell'elettrosega e potrebbe provocare la folgorazione dell'operatore.
- ◆ **Indossare protezioni oculari. Si consiglia inoltre di utilizzare dispositivi di protezione per udito, testa, mani, gambe e piedi.** Dispositivi di protezione idonei riducono il rischio di lesioni personali causate dal distacco di rami o dal contatto accidentale con la motosega.
- ◆ **Non usare l'elettrosega mentre ci si trova su un albero, su una scala o su qualsiasi altra superficie poco stabile.** L'utilizzo dell'elettrosega in questo modo potrebbe provocare gravi lesioni personali.
- ◆ **Mantenere sempre un buon equilibrio e utilizzare l'elettrosega solo quando ci si trova su di una superficie stabile, sicura e piana.** Superfici sdrucciolevoli o poco stabili tipo le scale, possono causare la perdita di equilibrio o del controllo della motosega.
- ◆ **Se si taglia un ramo sotto tensione, prestare attenzione all'effetto "molla".** Quando la tensione nelle fibre del legno viene rilasciata, il ramo, caricato come una molla, può colpire l'operatore e/o fargli perdere il controllo della motosega.
- ◆ **Prestare la massima attenzione quando si tagliano cespugli e giovani pertiche.** Il materiale sottile potrebbe incepparsi nella motosega e schizzare verso l'operatore oppure fargli perdere l'equilibrio.
- ◆ **Trasportare la motosega spenta e tenuta lontana del corpo afferrandola dall'impugnatura anteriore.** Durante il trasporto o quando si ripone la motosega, montare sempre il copribarra.

La corretta manipolazione della motosega riduce la probabilità di contatto accidentale con la catena in movimento.

- ◆ **Seguire le istruzioni relative alla lubrificazione, al tensionamento della catena e alla sostituzione degli accessori.** Delle catene tese o lubrificate in modo errato possono o rompersi o aumentare la probabilità di contraccolpi.
- ◆ **Tagliare solo il legno. Non usare la motosega per scopi diversi da quelli previsti. Per esempio, non utilizzare la motosega per tagliare plastica, murature o materiali da costruzione diversi dal legno.** L'impiego della motosega per scopi diversi da quelli previsti può dar luogo a situazioni di pericolo.
- ◆ **Questa motosega non è progettata per l'abbattimento di alberi.** L'impiego della motosega per scopi diversi da quelli previsti può dar luogo a lesioni gravi all'operatore o agli astanti.
- ◆ **Seguire tutte le istruzioni quando si rimuove materiale inceppato, si ripone o si effettua la manutenzione dell'elettrosega. Assicurarsi che l'interruttore sia spento e il pacco batteria sia rimosso.** L'attivazione accidentale della motosega durante la rimozione di materiale inceppato o l'esecuzione di interventi di manutenzione su di esso può provocare lesioni personali gravi.

Avvertenze di sicurezza aggiuntive per gli elettroutensili



Avvertenza! Ulteriori avvisi di sicurezza per le motoseghe compatte.

L'uso previsto è descritto in questo manuale di istruzioni. Non usare l'elettroutensile per lavori diversi da quelli previsti; ad esempio non usarlo per abbattere alberi. L'uso di accessori o attrezzature diversi, o l'impiego del presente apparato per scopi diversi da quelli raccomandati nel manuale uso possono comportare il rischio di infortuni.

- ◆ **Indossare indumenti aderenti e protettivi, compreso un casco di sicurezza con visiera/occhiali, otoprotezioni, calzature antiscivolo, calzoni antitaglio e guanti di cuoio robusti.**
- ◆ **L'operatore deve sempre posizionarsi al riparo dalla traiettoria di caduta dei rami.**
- ◆ **La distanza di sicurezza tra un ramo da abbattere ed eventuali persone, edifici e altri oggetti, corrisponde ad almeno due volte e mezzo la lunghezza del ramo stesso.** Eventuali osservatori, edifici o oggetti entro tale distanza rischiano di essere colpiti dal ramo in caduta.
- ◆ **Mettere a punto un programma di sicurezza che consenta di allontanarsi dai rami che stanno per essere abbattuti.** Assicurarsi che il percorso di fuga sia libero da ostacoli che possono impedire o intralciare il movimento.

Ricordare che l'erba umida e la corteccia appena tagliata sono scivolose.

- ◆ Assicurarsi che nelle vicinanze (ma a distanza di sicurezza), sia sempre disponibile qualcuno che possa intervenire in caso di incidente.
- ◆ Non usare l'elettrosega mentre ci si trova su un albero, su una scala o su qualsiasi altra superficie poco stabile.
- ◆ Mantenere sempre un appoggio e un equilibrio adeguati.
- ◆ Tenere saldamente l'elettrotensile con entrambe le mani quando il motore è in funzione.
- ◆ Non lasciare che la catena in movimento tocchi alcun oggetto in prossimità della punta della barra di guida.
- ◆ Iniziare un taglio solo con la catena alla massima velocità.
- ◆ Non tentare di inserirsi in un taglio precedente. Eseguire sempre un nuovo taglio.
- ◆ Prestare attenzione allo spostamento di rami e ad altre forze che possono chiudere un taglio e bloccare o rallentare la catena.
- ◆ Non tentare di tagliare un ramo il cui diametro è superiore alla lunghezza di taglio dell'elettrotensile.
- ◆ Estrarre sempre la batteria dall'elettrotensile e infilare il gruppo copri catena sulla catena quando si ripone o si trasporta l'elettrotensile.
- ◆ La catena deve sempre essere affilata e ben tesa. Controllare la tensione a intervalli regolari.
- ◆ Spegnerne l'elettrotensile, lasciare che la catena si fermi ed estrarre la batteria dall'elettrotensile prima di eseguire regolazioni o interventi di manutenzione o riparazione.
- ◆ Usare esclusivamente ricambi e accessori originali.
- ◆ **Mantenere le impugnature pulite e libere da tracce di olio o grasso.** La presenza di olio o grasso sulle impugnature può renderle scivolose e causare la perdita di controllo dell'elettrotensile.
- ◆ **I denti del paracolpi dentato potrebbero diventare affilati col tempo. Maneggiare con cautela.**
- ◆ **Durante l'impiego della motosega, la catena potrebbe riscaldarsi. Manipolarla con attenzione.**

Possibili cause e accorgimenti per impedire un contraccolpo

I contraccolpi possono verificarsi quando la punta della barra di guida tocca un oggetto o quando il legno tagliato si richiude e incastra la catena della motosega nel taglio.

A volte il contatto con la punta può causare una reazione inversa improvvisa, spingendo la barra di guida verso l'alto e indietro verso l'operatore.

Se la catena della motosega rimane incastrata lungo la parte superiore della barra di guida è possibile che la barra venga spinta indietro velocemente contro l'operatore.

Entrambe queste reazioni possono causare la perdita di controllo della motosega con la probabilità di pericolose lesioni personali. Non fare affidamento esclusivamente sui dispositivi di sicurezza incorporati nella motosega.

L'operatore della motosega ha la responsabilità di eseguire lavori di taglio che non causino incidenti o lesioni alle persone. Un contraccolpo è la conseguenza di un uso non appropriato oppure non corretto dell'elettrotensile e può essere evitato solamente adottando le misure di sicurezza idonee, descritte di seguito:

- ◆ **tenere saldamente l'elettrosega afferrando le impugnature con i pollici e le dita. Afferrando l'elettrosega con entrambe le mani, posizionare il corpo e il braccio in modo da far fronte ad eventuali contraccolpi.** L'operatore è in grado di resistere alla forza esercitata da eventuali contraccolpi se adotta le precauzioni del caso. Non lasciare andare la motosega.
- ◆ **Non sbilanciarsi e non tagliare oltre l'altezza della spalla.** In questo modo si evita il contatto involontario con la punta e si mantiene un miglior contatto dell'elettrosega in situazioni impreviste;
- ◆ **Utilizzare solamente le barre di guida e le catene di ricambio indicate dal produttore.** L'uso di barre di guida e catene non idonee può causare la rottura della catena e/o contraccolpi.
- ◆ **Rispettare le istruzioni di affilatura e di manutenzione della catena della motosega date dal fabbricante.** La riduzione dell'altezza del calibro di profondità aumenta la possibilità di contraccolpi.

Consigli di sicurezza per l'elettrosega

- ◆ Consigliamo vivamente a chi usa una motosega per la prima volta di farsi dare consigli pratici da un esperto sia per l'uso della motosega sia per l'equipaggiamento protettivo. Fare pratica segando ceppi su un cavalletto o un'intelaiatura di sostegno.
- ◆ Durante il trasporto della motosega consigliamo di rimuovere la batteria e di tenere la catena rivolta all'indietro.
- ◆ Quando non viene adoperata, l'elettrosega deve essere sottoposta alla necessaria manutenzione. Non riporre mai la motosega senza averne rimosso la catena e la barra di guida, che devono essere conservate in un bagno d'olio. Tutti i componenti della motosega devono essere custoditi in luogo sicuro e asciutto, fuori dalla portata dei bambini.
- ◆ Consigliamo di scaricare l'olio in un apposito serbatoio prima di riporre l'elettrosega.
- ◆ Prima di eseguire lavori di abbattimento o sramatura mettere a punto un programma di sicurezza che consenta di allontanarsi senza pericolo e fare attenzione a proteggere i piedi.
- ◆ Fare uso di cunei per agevolare il controllo dell'abbattimento ed evitare che la catena e la barra di guida si blocchino nel taglio.
- ◆ Manutenzione dell'elettrosega. La catena deve essere sempre affilata e bene aderente alla barra di guida.

Verificare che la catena e la barra di guida siano pulite e perfettamente lubrificate. Mantenere le impugnature pulite e senza tracce di olio o grasso.

I contraccolpi possono essere causati da:

- ◆ Contatto accidentale contro rami o altri oggetti colpiti dalla punta della catena della sega in moto.
- ◆ Contatto con metallo, cemento o altri materiali duri che si trovano in prossimità del legno o al suo interno.
- ◆ Catena smussata o lenta.
- ◆ Taglio al di sopra dell'altezza della spalla.
- ◆ Disattenzione mentre si sorregge o si manovra l'elettrosega durante il taglio.
- ◆ Ci si sporge eccessivamente. Mantenersi sempre saldi sui piedi e bene equilibrati, evitando di sporgersi.
- ◆ Non cercare di inserire la sega in un taglio praticato in precedenza, dato che potrebbe verificarsi un contraccolpo. Praticare un nuovo taglio ogni volta.
- ◆ Si suggerisce vivamente di non tentare di utilizzare l'elettrosega mentre si è su un albero, una scala o qualsiasi altra superficie poco stabile. Se si dovesse decidere di farlo comunque, ricordare che queste posizioni sono estremamente pericolose.
- ◆ Quando si taglia un ramo che è sotto tensione, prepararsi per il contraccolpo, in modo da non essere colpiti quando tale tensione viene eliminata.

Evitare di tagliare:

- ◆ legname preparato;
- ◆ il terreno;
- ◆ recinzioni metalliche, chiodi, ecc.;
- ◆ piccoli cespugli e giovani pertiche perché la catena della sega può incepparsi nel materiale sottile e schizzare verso l'operatore oppure fargli perdere l'equilibrio.
- ◆ Non utilizzare l'elettrosega sostenendola oltre l'altezza della spalla.
- ◆ Assicurarsi che nelle vicinanze (ma a distanza di sicurezza), sia sempre disponibile qualcuno che possa intervenire in caso di incidente.
- ◆ Se, per qualsiasi motivo, è necessario toccare la catena, accertare che la motosega sia spenta e che non sia collegata alla batteria.
- ◆ La rumorosità di questo prodotto può superare 80 dB(A). Si suggerisce perciò di adottare le misure del caso per proteggere l'udito

Rischi residui.

L'utilizzo dell'elettrotensile può comportare rischi residui non necessariamente riportati nelle presenti avvertenze di sicurezza. Tali rischi possono sorgere a seguito di un uso prolungato o improprio, ecc.

Malgrado il rispetto delle norme di sicurezza pertinenti e l'implementazione di dispositivi di sicurezza, alcuni rischi residui non possono essere evitati. Tali rischi includono:

- ◆ lesioni personali causate dal contatto con parti rotanti/in movimento;
- ◆ lesioni personali subite durante la sostituzione di parti, lame o accessori;
- ◆ lesioni personali causate dall'impiego prolungato di un elettrotensile (quando si utilizza qualsiasi elettrotensile per lunghi periodi, accertarsi di fare regolarmente delle pause);
- ◆ menomazioni uditive;
- ◆ rischi per la salute causati dall'inalazione della polvere generata dall'utilizzo dell'apparecchio (ad esempio, quando si lavora con il legno, in modo particolare quello di quercia, faggio o l'MDF).

Vibrazione

I valori di emissione di vibrazioni e il/i valore/i di rumore dichiarati nella sezione "Dati tecnici" e nella Dichiarazione di conformità di questo manuale sono stati misurati in base al metodo di prova standard previsto dalla norma EN 62841 e possono essere usati come parametri di confronto tra due elettrotensili. I valori di emissione di vibrazioni e il/i valore/i di rumore dichiarati possono anche essere usati per una valutazione preliminare dell'esposizione.

Avvertenza! Il valore di emissione di vibrazioni e di rumore durante l'impiego effettivo dell'elettrotensile può differire da quello dichiarato a seconda delle modalità d'uso. Il livello di vibrazione potrebbe aumentare oltre quello dichiarato.

Quando si valuta l'esposizione a vibrazioni per determinare le misure di sicurezza richieste dalla Direttiva 2002/44/CE destinata alla protezione delle persone che utilizzano regolarmente elettrotensili per lo svolgimento delle proprie mansioni, è necessario prendere in considerazione le condizioni effettive di utilizzo e il modo in cui l'elettrotensile viene usato, oltre che tenere conto di tutte le componenti del ciclo operativo, vale a dire i periodi in cui l'elettrotensile rimane spento, quelli in cui è acceso ma fermo e quelli in cui viene effettivamente utilizzato.

Etichette sull'elettrotensile

Sull'elettrotensile sono presenti i seguenti simboli assieme al codice data:



Avvertenza! Per ridurre il rischio di lesioni personali, leggere attentamente il manuale di istruzioni.



Non utilizzare la sega in presenza di forte umidità o sotto la pioggia.



Indossare sempre protezioni per la testa, per l'udito e per la vista.



Indossare sempre guanti.



Indossare sempre scarpe di sicurezza antiscivolo.



Tenere sempre l'elettrosega saldamente con entrambe le mani.



Prestare attenzione al contraccolpo della motosega ed evitare il contatto con la punta della barra della catena.



Non utilizzare l'elettrosega con una mano sola.



Prestare attenzione alla caduta di oggetti. Mantenere le persone eventualmente presenti a debita distanza.



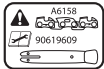
Per garantire sempre un funzionamento sicuro, controllare, dopo ogni 10 minuti di utilizzo, la tensione della catena come descritto nel presente manuale e regolarla di nuovo su un gioco di 3 mm se necessario. Lubrificare la catena ogni 10 minuti di utilizzo.



Avvertenza! Non toccare la catena in prossimità del punto di espulsione dei trucioli



Direzione di rotazione della catena.



Onde garantire un funzionamento sicuro, la catena e la barra di guida devono essere sostituite solo con ricambi originali BLACK+DECKER. Numero di parte della catena di ricambio: A6158; numero di parte della barra di guida: 90619609.



Spegnere l'elettrotensile. Prima di eseguire interventi di manutenzione sull'elettrotensile, estrarre la batteria.



Potenza sonora garantita ai sensi della Direttiva 2000/14/CE.

Istruzioni di sicurezza aggiuntive per batterie e caricabatterie

Batterie

- ◆ Non tentare mai di aprire le batterie per alcun motivo.
- ◆ Non lasciare che la batteria si bagni.
- ◆ Non esporre la batteria al calore.
- ◆ Non conservare la batteria in ambienti in cui la temperatura potrebbe superare i 40 °C.
- ◆ Caricare la batteria solo a temperature ambientali comprese tra 10 e 40°C.
- ◆ Caricare esclusivamente con il caricabatterie fornito in dotazione con l'apparecchio. L'uso del caricabatterie sbagliato potrebbe causare scosse elettriche o il surriscaldamento della batteria.
- ◆ Quando si smaltiscono le batterie, seguire le istruzioni riportate nella sezione "Tutela ambientale".
- ◆ Non danneggiare/deformare la batteria forandola o colpendola, per evitare il rischio di lesioni o di incendio.
- ◆ Non caricare le batterie danneggiate.

In condizioni estreme, si potrebbe verificare la perdita di liquido dalla batteria. Se si nota la presenza di liquido sul pacco batteria pulirla con attenzione con uno straccio. Evitare il contatto con la pelle.

In caso di contatto con la pelle o gli occhi, seguire le istruzioni riportate di seguito.

Avvertenza! Il liquido delle batterie può causare lesioni a persone o danni materiali. In caso di contatto con la pelle, risciacquare immediatamente con acqua. In caso di arrossamento, dolore o irritazione, rivolgersi immediatamente a un medico. In caso di contatto con gli occhi, risciacquarli immediatamente con acqua pulita e consultare un medico.

Caricabatterie

Avvertenza! Il caricabatterie è stato progettato per una tensione specifica. Verificare sempre che la tensione di rete corrisponda a **quella** indicata sulla targhetta dei valori nominali.

Avvertenza! Non tentare mai di sostituire la spina caricabatterie con una spina elettrica tradizionale.

- ◆ Usare il caricabatterie BLACK+DECKER solo per caricare la batteria dell'apparecchio/elettrotensile con il quale è stato fornito. Tipi diversi di batterie potrebbero scoppiare, provocando lesioni personali e danni materiali.
- ◆ Non tentare mai di ricaricare batterie non ricaricabili.
- ◆ In caso di danneggiamento del cavo di alimentazione è necessario farlo riparare dal fabbricante o presso un centro assistenza BLACK+DECKER autorizzato in modo da evitare pericoli.
- ◆ Non lasciare che il caricabatterie si bagni.
- ◆ Non aprire il caricabatterie.
- ◆ Non collegare il caricabatterie a sonde.

- ◆ Il caricabatterie deve essere lasciato in una zona ben ventilata durante la carica.

Etichette sull'alimentatore

Sul caricabatterie sono presenti i seguenti simboli:



Il caricabatterie è destinato esclusivamente all'uso in ambienti interni.



Leggere questo manuale d'istruzioni prima dell'uso.

Sicurezza elettrica



Il doppio isolamento di cui è provvisto il caricabatterie rende superfluo il filo di terra. Verificare sempre che la tensione di rete corrisponda a quella indicata sulla targhetta dei valori nominali. Non tentare mai di sostituire la spina caricabatterie con una spina elettrica tradizionale.

- ◆ Per prevenire pericoli, i cavi di alimentazione danneggiati devono essere sostituiti dal fabbricante o da un centro di assistenza BLACK+DECKER.

Caratteristiche

1. Grilletto di azionamento
2. Pulsante di blocco di sicurezza
3. Tappo del serbatoio olio
4. Serbatoio olio
5. Assemblaggio del paralama anteriore
6. Coperchio catena
7. Vite regolazione tensione catena
8. Catena
9. Barra di guida
10. Batteria
11. Protezione catena
12. Caricabatterie

Assemblaggio

Avvertenza! Prima dell'assemblaggio, estrarre la batteria (10) dall'elettrotensile.

Montaggio e rimozione della batteria (Fig. A)

- ◆ Per installare la batteria (10), allinearla all'apposito scomparto sull'elettrotensile. Infilare la batteria (10) nell'apposito vano e calzarla fino a quando si aggancia in sede.
- ◆ Per estrarre la batteria (10), premere il pulsante di rilascio (24) estraendo al tempo stesso la batteria (10) dall'apposito vano.

Avvertenza! Per evitare l'azionamento involontario, accertarsi di aver estratto il pacco batteria e di aver montato la guaina (11) sulla catena (8) prima di eseguire gli interventi descritti di seguito. In caso contrario si potrebbero subire o causare lesioni personali gravi.

Carica della batteria (Fig. B)

La batteria deve essere ricaricata prima dell'impiego iniziale e quando non eroga una potenza sufficiente per svolgere lavori che prima era possibile eseguire facilmente. Durante la ricarica la batteria potrebbe riscaldarsi. Si tratta di un fatto normale che non indica la presenza di un problema.

Avvertenza! Non ricaricare la batteria a temperature ambientali inferiori a 10 °C o superiori a 40 °C. La temperatura di ricarica raccomandata è di circa 24 °C.

Nota: il caricabatterie non carica una batteria se la temperatura delle celle è inferiore a 10 °C o superiore a 40 °C. La batteria deve essere lasciata nel caricabatterie che comincerà a caricare automaticamente, quando la temperatura delle celle aumenta o diminuisce, a seconda dei casi.

- ◆ Per caricare la batteria (10), inserirla nel caricabatterie (12). La batteria si inserisce nel caricabatterie solo in un senso. Non forzare. Accertarsi che la batteria sia completamente inserita nel caricabatterie.
- ◆ Collegare l'alimentatore alla presa di corrente.

L'indicatore di carica (23) lampeggia.

La carica è completa quando l'indicatore di carica in corso (23) rimane acceso di continuo. Il caricabatterie e la batteria possono essere lasciati collegati indefinitamente alla presa di corrente. Il LED si accende quando il caricabatterie di tanto in tanto rabocca la carica della batteria.

- ◆ Ricaricare le batterie scariche entro 1 settimana. La durata delle batterie si riduce parecchio se sono conservate scariche.

Batteria lasciata nel caricabatterie

Il caricabatterie e il pacco batteria possono essere lasciati collegati alla rete elettrica con il LED sempre acceso. Il caricabatterie manterrà il pacco batteria come nuovo e completamente carico.

Montaggio e rimozione della catena (fig. C–E, G)



Indossare sempre guanti di protezione per l'installazione e la rimozione della catena del troncaremi (8). La catena è affilata e può causare ferite da taglio anche da ferma.

- ◆ Appoggiare l'elettrotensile su una superficie stabile e rigida.
- ◆ Allentare le due viti Allen (14) usando la chiave Allen (21) fornita. Estrarre le viti Allen (14)

- ◆ Togliere il coperchio della catena (6).
- ◆ Ruotare le vite di regolazione tensione catena (7) in senso antiorario per consentire alla barra di guida (9) di retrocedere e di ridurre la tensione sulla catena (8).
- ◆ Estrarre la vecchia catena (8) dal rocchetto (15) e la barra di guida (9).
- ◆ Infilare la nuova catena (8) nella gola della barra di guida (9) e attorno al rocchetto (15). Accertarsi che i denti siano rivolti nella direzione corretta abbinando la freccia sulla catena (8) a quella sull'assemblaggio del carter copricatena (6).
- ◆ Accertarsi che la fessura (17) nella barra di guida (9) sia sopra le spine di centraggio (18) e che il foro (20) sotto la fessura sia situato sopra la spina di regolazione (19).
- ◆ Montare l'assemblaggio del carter copricatena (6) e fissarlo con le 2 viti Allen (14).
- ◆ Serrare le viti Allen (14) usando la chiave Allen (21) fornita.
- ◆ Regolare la tensione della catena come descritto di seguito.

Controllo e regolazione della tensione della catena (fig. C–F)

- ◆ Controllare la tensione della catena. La tensione è corretta quando la catena (8) scatta all'indietro dopo essere stata allontanata di 3 mm dalla sua barra (9) con una leggera pressione dell'indice e del pollice. Non devono esservi cedimenti sul lato inferiore tra la barra di guida (9) e la catena (8).

Regolazione della tensione:

- ◆ Allentare le viti 2 Allen (14).
- ◆ Ruotare in senso orario la vite di regolazione della tensione della catena (7).

Avvertenza! Non tendere eccessivamente la catena: ciò causa un logorio eccessivo e abbrevia la vita della barra di guida e della catena stessa.

- ◆ Quando la tensione della catena è corretta, serrare le 2 viti Allen (14).

Avvertenza! Quando la catena è nuova, controllarne la tensione frequentemente nel corso delle due prime ore di impiego, dato che le catene nuove cedono leggermente.

Riempimento del serbatoio dell'olio (fig. G)

- ◆ Togliere il tappo dal serbatoio dell'olio (3) e rabboccare il serbatoio (4) con l'olio per catene suggerito. Il livello dell'olio può essere controllato nel serbatoio dell'olio (4). Rimettere il tappo del serbatoio dell'olio (3).
- ◆ Spegnerne periodicamente e controllare il livello dell'olio: se il livello scende al di sotto di un quarto del pieno, rimuovere la batteria (10) dalla motosega e rabboccare il serbatoio (4) con l'olio corretto.

Lubrificazione della catena (fig. G)

La catena (8) deve essere oliata prima di ciascun impiego e dopo la pulitura usando solo olio di tipo corretto (n. cat. A6027).

- ◆ Lubrificare la catena della sega (8) premendo due volte prima di ogni taglio il bulbo sul tappo del serbatoio olio (3), tenendo premuto il bulbo per 3-4 secondi.

Uso

Accensione e spegnimento (Fig. G)

Avvertenza! Lasciare che l'elettrotensile funzioni al proprio ritmo, non sovraccaricarlo.

Questo elettrotensile è dotato di un sistema a doppio interruttore per la sicurezza dell'utilizzatore. Tale sistema impedisce l'avviamento indesiderato dell'elettrotensile.

Accensione

- ◆ Premere il pulsante di sicurezza (2) premendo contemporaneamente l'interruttore di accensione (1).
- ◆ Rilasciare il pulsante di sbloccaggio (2).

Spegnimento

- ◆ Rilasciare l'interruttore di accensione (1).

Avvertenza! Non tentare mai di bloccare l'interruttore nella posizione di accensione.

Potatura di alberi (fig. H)

Assicurarsi che le leggi e i regolamenti locali non proibiscano o disciplinino la potatura di rami.

La potatura deve essere praticata solo da operatori esperti dato che vi è un maggior rischio di inceppamento della catena della sega (8) e di contraccolpi.

Prima di eseguire la potatura, prendere in considerazione le condizioni prevalenti che potrebbero influire sulla direzione di caduta, tra cui:

- ◆ Lunghezza e peso del ramo da tagliare.
- ◆ L'eventuale peso inusuale del ramo e la possibilità che questo sia secco o marcio.
- ◆ Gli alberi e gli ostacoli circostanti, comprese le linee elettriche aeree.
- ◆ La velocità e direzione del vento.
- ◆ Il fatto che il ramo sia intrecciato con altri rami.

L'operatore deve inoltre considerare come raggiungere il ramo e l'eventuale direzione di caduta. È probabile che il ramo oscilli verso il tronco. Sono infatti a rischio non solo l'operatore e gli astanti, ma anche oggetti e cose.

Per evitare la scheggiatura, il primo taglio viene eseguito verso l'alto a una profondità massima pari a un terzo del diametro del ramo. Il secondo taglio viene eseguito verso il basso in modo da intersecarsi con il primo.

Taglio leggero (fig. I)

La procedura di taglio dipende dal sostegno che regge il ceppo. Quando possibile, fare uso di un cavalletto. Iniziare sempre il taglio con la motosega (8) accesa e la barra paraurti dentata a contatto del legno. Per completare il taglio ricorrere all'azione rotante della barra paraurti dentata contro il legno.

Ceppi sostenuti per l'intera lunghezza

- ◆ Praticare un taglio verso il basso, evitando di toccare il suolo per non smussare la lama della motosega.

Ceppi sostenuti alle estremità:

- ◆ In primo luogo tagliare un terzo di diametro in basso, per evitare scheggiature, e poi tagliare di nuovo fino a raggiungere il primo intaglio.

Tronchi sostenuti a un'estremità:

- ◆ in primo luogo tagliare un terzo di diametro nella parte superiore, poi tagliare in basso per evitare scheggiature.

Su un pendio:

- ◆ restare sempre sul lato alto del pendio. Uso di un cavalletto (fig. I):

Si consiglia vivamente di adoperare un cavalletto quando possibile.

- ◆ Collocare il tronco in posizione stabile. Tagliare sempre all'esterno dei bracci del cavalletto. Usare morse o fasce per fissare il pezzo da tagliare.

Pulitura, manutenzione e conservazione

Questo elettroutensile BLACK+DECKER è stato progettato per funzionare a lungo con una manutenzione minima.

Prestazioni sempre soddisfacenti dipendono da una cura appropriata e da una pulizia regolare.

Il caricabatterie non richiede alcuna manutenzione, salvo una regolare pulizia.

Avvertenza! Prima di eseguire interventi di manutenzione sull'elettroutensile, estrarre la batteria. Scollegare il caricabatterie dalla presa di corrente prima di pulirlo.

Dopo l'uso e prima di riporre l'elettroutensile

Pulire regolarmente le feritoie di ventilazione con un pennello pulito e asciutto.

Per pulire l'elettroutensile, utilizzare solamente sapone neutro e un panno umido. Evitare la penetrazione di liquidi all'interno dell'elettroutensile e non immergere mai nessuna parte dello stesso in un liquido.

- ◆ Eliminare i trucioli con una spazzola rigida.
- ◆ Lubrificare la catena (8) con olio.

Affilatura della catena

Per ottenere prestazioni ottimali, è importante mantenere affilati i denti della catena del troncareami.

Le istruzioni su come eseguire questa procedura sono riportate sulla confezione dell'affilatoio.

A questo scopo si suggerisce di acquistare un kit di affilatura catene BLACK+DECKER, disponibile presso i rivenditori selezionati e i centri di assistenza autorizzati BLACK+DECKER (n. cat. A6039).

Sostituzione di catene o barre di guida usurate o danneggiate

Le catene della motosega di ricambio sono disponibili presso i rivenditori e gli agenti di assistenza BLACK+DECKER (pt n. A6158), le barre di guida di ricambio sono disponibili solo tramite gli agenti di assistenza BLACK+DECKER (pt n. 90517720).

Per evitare il rischio di lesioni, utilizzare esclusivamente catene e barre di guida originali a marchio BLACK+DECKER. Utilizzare esclusivamente pezzi di ricambio originali.

Filo della catena

I taglianti della catena della motosega perdono immediatamente il filo se toccano il terreno o un chiodo durante il taglio.

Tensione della catena

Controllare regolarmente la tensione della catena della motosega.

Riparazione della motosega.

Il presente elettroutensile è conforme ai requisiti di sicurezza in vigore. Le riparazioni devono essere affidate esclusivamente a personale qualificato ed eseguite solo con pezzi di ricambio originali, per evitare di esporre gli operatori a considerevoli rischi. Consigliamo di conservare il presente manuale d'uso in un luogo sicuro.

Conservazione

Se si prevede che l'elettroutensile non venga usato per mesi, l'ideale sarebbe lasciare la batteria (10) collegata al caricabatterie.

In alternativa, procedere come descritto di seguito:

- ◆ Estrarre la batteria (10) dall'elettroutensile.
- ◆ Caricare completamente la batteria (10).
- ◆ Conservare l'elettroutensile e la batteria (10) in un posto sicuro e asciutto. La temperatura del luogo in cui si ripone l'elettroutensile deve sempre essere da +10°C a +40°C. Appoggiare la batteria su di una superficie piana (10).
- ◆ Prima di usare l'elettroutensile dopo un lungo periodo di inutilizzo, caricare di nuovo, completamente, la batteria (10)

Protezione dell'ambiente



Effettuare la raccolta differenziata. I prodotti e le batterie contrassegnati con questo simbolo non devono essere smaltiti con i rifiuti domestici normali.

Prodotti e batterie contengono materiali che possono essere recuperati o riciclati, riducendo la domanda di materie prime. Riciclare i prodotti elettrici e le batterie attenendosi alle disposizioni locali vigenti. Ulteriori informazioni sono disponibili online all'indirizzo www.2helpU.com.

Dati tecnici

GKC1820L 20 Tipo 3		
Tensione	V _{CC}	18
Velocità della catena (senza carico)	m/min	190
Peso	kg	1,55
Batteria BL2018		
Tensione	V _{CC}	18
Capacità	Ah	2,0
Tipo		Li-Ion
Caricabatterie 905902**TIPO 1		
Tensione in ingresso	V _{CA}	100-240
Tensione d'uscita	V _{CC}	8-20
Corrente in uscita	mA	400

Livello garantito di pressione sonora, misurata in conformità alla normativa EN62841:

LpA (livello pressione sonora di emissione) 78 dB(A), incertezza (K) 3 dB(A)
LwA (livello di pressione sonora misurata) 94 dB(A), incertezza (K) 1,9 dB(A)

Valori totali di emissione di vibrazioni (somma vettoriale triassiale) in conformità alla norma EN 62841:

Valore di emissione di vibrazioni (a_{Hv}) = 5,5 m/s², incertezza (K) = 1,5 m/s²

Dichiarazione di conformità CE

DIRETTIVA MACCHINE



GKC1820L 20 – Motosega compatta

Black & Decker dichiara che i prodotti descritti al paragrafo "Dati tecnici" sono conformi alle seguenti normative: 2006/42/CE;

EN 62841-1:2015+A11:2022, EN 62841-4-1:2020
LWA (livello di pressione sonora misurata) 94 dB(A),
incertezza (K) = 1,9 dB (A),

LWA (pressione sonora garantita) 96 dB(A)

Questi prodotti sono anche conformi alle Direttive 2014/30/UE e 2011/65/UE.

Per ulteriori informazioni contattare Black & Decker al seguente indirizzo oppure consultare l'ultima di copertina del manuale.

Il firmatario è responsabile della compilazione del fascicolo tecnico e rilascia la presente dichiarazione per conto di Black & Decker.

Patrick Diepenbach

Patrick Diepenbach
General Manager, Benelux
Black & Decker,
Egide Walschaertsstraat 14-18
2800 Mechelen, Belgio
08/09/2022

Garanzia

Black & Decker è certa della qualità dei propri prodotti e offre ai consumatori una garanzia di 24 mesi dalla data di acquisto.

Tale garanzia è complementare ai diritti legali e non li pregiudica in alcun modo.

La garanzia è valida nei territori degli Stati membri dell'Unione Europea, con l'area dell'EFTA (Associazione europea di libero scambio) e del Regno Unito.

Per attivare la garanzia, la richiesta di intervento e riparazione in garanzia deve essere effettuata in accordo con i Termini e condizioni Black&Decker e sarà necessario presentare la prova di acquisto al venditore o all'agente di riparazione autorizzato.

I Termini e condizioni della garanzia Black&Decker di 2 anni e la sede dell'agente di riparazione autorizzato più vicino sono consultabili su Internet all'indirizzo www.2helpU.com oppure è possibile contattare l'ufficio Black & Decker di zona all'indirizzo indicato in questo manuale.

Visitare il nostro sito www.blackanddecker.co.uk per registrare il nuovo prodotto BLACK&DECKER e ricevere aggiornamenti su nuovi prodotti e offerte speciali.

Bedoeld gebruik

Uw BLACK+DECKER™, GKC1820L 20 compacte kettingzaag is ontworpen voor lichte zaag- en snoeiwerkzaamheden.

Dit gereedschap is uitsluitend bestemd voor consumentengebruik.

Veiligheidsinstructies

Algemene veiligheidswaarschuwingen voor elektrisch gereedschap



Waarschuwing! Lees alle veiligheidswaarschuwingen, instructies, illustraties en specificaties die bij dit gereedschap zijn meegeleverd. Het niet opvolgen van alle onderstaande instructies kan leiden tot een elektrische schok, brand en/of ernstig letsel.

Bewaar alle waarschuwingen en instructies als referentiemateriaal. De hierna gebruikte term 'elektrisch gereedschap' in alle waarschuwingen die hieronder worden vermeld, heeft betrekking op elektrisch gereedschap voor gebruik op netspanning (met netsnoer) of met een accu (snoerloos).

1. Veilige werkomgeving

- a. **Houd uw werkomgeving schoon en goed verlicht.** Op rommelige of donkere plekken zullen sneller ongelukken gebeuren.
- b. **Werk niet met elektrisch gereedschap in een omgeving met explosiegevaar, zoals in de nabijheid van brandbare vloeistoffen, gassen of stof.** Elektrisch gereedschap veroorzaakt vonken die het stof of de dampen kunnen doen ontbranden.
- c. **Houd kinderen en omstanders tijdens het gebruik van elektrisch gereedschap op afstand.** Als u wordt afgeleid, kunt u de controle over het gereedschap verliezen.

2. Elektrische veiligheid

- a. **De netstekker van het elektrisch gereedschap moet in het stopcontact passen. Pas de stekker nooit op enige manier aan. Gebruik geen adapterstekkers in combinatie met geaard elektrisch gereedschap.** Niet-aangepaste stekkers en passende contactdozen verminderen het risico van een elektrische schok.
- b. **Vermijd aanraking van het lichaam met geaarde oppervlakken, bijvoorbeeld buizen, verwarmingen, fornuizen en koelkasten.** Er bestaat een verhoogd risico van een elektrische schok als uw lichaam contact heeft met aarde.

- c. **Stel elektrisch gereedschap niet bloot aan regen en vocht.** Als er water in elektrisch gereedschap binnendringt, verhoogt dit het risico van een elektrische schok.
- d. **Behandel het snoer voorzichtig. Gebruik het snoer nooit om het elektrisch gereedschap te dragen of naar u toe te trekken, of de stekker uit het stopcontact te halen.** Houd het snoer uit de buurt van warmtebronnen, olie, scherpe randen, of bewegende onderdelen. Beschadigde snoeren of snoeren die in de war zijn geraakt, verhogen het risico van een elektrische schok.
- e. **Gebruik, wanneer u buitenshuis met elektrisch gereedschap werkt, alleen verlengsnoeren die zijn goedgekeurd voor gebruik buitenshuis.** Het gebruik van een verlengsnoer dat geschikt is voor buiten vermindert het risico van een elektrische schok.
- f. **Als u met elektrisch gereedschap werkt op een vochtige locatie, gebruik dan een aardlekschakelaar (RCD).** Het gebruik van een aardlekschakelaar vermindert het risico van een elektrische schok.

3. Persoonlijke veiligheid

- a. **Blijf alert, let goed op wat u doet en ga met verstand te werk bij het gebruik van elektrisch gereedschap. Gebruik elektrisch gereedschap niet als u vermoeid bent of onder de invloed van drugs, alcohol of medicatie bent.** Een moment van onoplettendheid tijdens het werken met elektrisch gereedschap kan leiden tot ernstig persoonlijk letsel.
- b. **Draag persoonlijke beschermende uitrusting. Draag altijd oogbescherming.** Beschermende uitrusting, zoals een stofmasker, anti-slip veiligheidsschoenen, een helm, of gehoorbescherming, gebruikt in de juiste omstandigheden, zal het risico op persoonlijk letsel verminderen.
- c. **Voorkom per ongeluk inschakelen. Controleer, voordat u de stekker in het stopcontact steekt en/of de accu plaatst, en voordat u het gereedschap optilt en draagt, dat de schakelaar in de uit-stand staat.** Het dragen van elektrisch gereedschap met uw vinger op de schakelaar of het aanzetten van elektrisch gereedschap waarvan de schakelaar aan staat, kan leiden tot ongelukken.
- d. **Verwijder stelsleutels of steeksleutels voordat u het elektrisch gereedschap inschakelt.** Een steeksleutel of een inbussleutel in een draaiend deel van het elektrisch gereedschap kan tot persoonlijk letsel leiden.
- e. **Reik niet buiten uw macht. Blijf te allen tijde stevig en in evenwicht staan.** Dit geeft u betere controle over het elektrisch gereedschap in onverwachte situaties.
- f. **Draag geschikte kleding. Draag geen loszittende kleding of sieraden.**

- Houd uw haar, kleding en handschoenen uit de buurt van bewegende onderdelen.** Loszittende kleding, sieraden of lang haar kunnen door bewegende delen worden gegrepen.
- g. Als voorzieningen voor stofafzuiging of een stofreservoir kunnen worden gemonteerd, controleer dan dat deze zijn aangesloten en op de juiste wijze worden gebruikt.** Het gebruik van stofafzuiging kan aan stof gerelateerde gevaren verminderen.
- h. Word niet gemakzuchtig doordat u door veelvuldig gebruik vertrouwd bent geraakt met het gereedschap, en verlies niet de veiligheidsbeginselen uit het oog.** Een onvoorzichtige handeling kan in een fractie van een seconde ernstig letsel tot gevolg hebben.
- 4. Gebruik en onderhoud van elektrisch gereedschap**
- a. Overbelast het elektrisch gereedschap niet. Gebruik het juiste elektrisch gereedschap voor uw toepassing.** Met het juiste elektrisch gereedschap kunt u de werkzaamheden waarvoor het gereedschap is ontworpen, beter en veiliger uitvoeren.
- b. Gebruik het elektrisch gereedschap niet als de schakelaar niet goed werkt.** Ieder elektrisch gereedschap dat niet met de schakelaar kan worden bediend, is gevaarlijk en moet worden gerepareerd.
- c. Trek de stekker uit het stopcontact en/of de accu uit het elektrisch gereedschap voordat u het gereedschap instelt, accessoires wisselt of het elektrisch gereedschap opbergt.** Dergelijke preventieve veiligheidsmaatregelen verminderen het risico dat het elektrisch gereedschap per ongeluk wordt gestart.
- d. Bewaar elektrisch gereedschap dat niet wordt gebruikt, buiten bereik van kinderen. Laat personen die er niet vertrouwd mee zijn en deze aanwijzingen niet hebben gelezen niet met het gereedschap werken.** Elektrisch gereedschap is gevaarlijk in handen van ongetrainde gebruikers.
- e. Onderhoud het gereedschap goed. Controleer dat bewegende delen van het elektrisch gereedschap wel goed functioneren en niet klemmen, en dat er niet onderdelen zodanig zijn gebroken of beschadigd dat de werking van het gereedschap nadelig wordt beïnvloed. Laat het gereedschap voor gebruik repareren als het beschadigd is.** Veel ongelukken worden veroorzaakt door slecht onderhouden elektrisch gereedschap.
- f. Houd knip- en snijgereedschap scherp en schoon.** Goed onderhouden zaaggereedschap met scherpe snijvlakken loopt minder snel vast en is gemakkelijker onder controle te houden.
- g. Gebruik elektrisch gereedschap, accessoires, zaagjes en boortjes, enz., volgens deze aanwijzingen.**
- Let daarbij op de werkomstandigheden en de uit te voeren werkzaamheden.** Gebruik van het elektrisch gereedschap voor werkzaamheden die anders zijn dan bedoeld, kan leiden tot een gevaarlijke situatie.
- h. Houd handgrepen en greepoppervlakken droog, schoon en vrij van olie en vet. Gladde handgrepen en greepoppervlakken maken het moeilijk het gereedschap veilig te hanteren en onder controle te houden in onverwachte situaties.**
- 5. Gebruik en onderhoud van accugereedschap**
- a. Laad accu's alleen op met de door de fabrikant aanbevolen lader.** Een lader die geschikt is voor het ene type accu, kan een risico van brand doen ontstaan bij gebruik met een andere accu.
- b. Gebruik elektrisch gereedschap alleen in combinatie met specifiek vermelde accu's.** Het gebruik van andere accu's kan gevaar voor letsel en brand geven.
- c. Houd de accu, wanneer u deze niet gebruikt, weg bij andere metalen objecten zoals paperclips, munten, sleutels, spijkers, schroeven of andere kleine metalen voorwerpen die een verbinding tot stand kunnen brengen tussen de ene pool en de andere.** Als kortsluiting tussen de polen van de accu wordt gemaakt, kan dit tot brandwonden of brand leiden.
- d. Wanneer de accu verkeerd wordt behandeld, kan er vloeistof uit de accu spuiten, vermijd contact met deze vloeistof. Als er per ongeluk contact ontstaat, spoel dan met water. Als de vloeistof in de ogen komt, roep dan tevens medische hulp in.** Vloeistof uit de accu kan irritatie en brandwonden veroorzaken.
- e. Gebruik geen accu's of gereedschap die beschadigd of aangepast zijn.** Beschadigde of gemodificeerde accu's kunnen zich onvoorspelbaar gedragen wat brand, explosie of een risico van letsel met zich mee kan brengen.
- f. Stel accu's of gereedschap niet bloot aan vuur of te hoge temperaturen.** Blootstelling aan vuur of een temperatuur boven 130 °C kan explosie tot gevolg hebben. OPMERKING: Voor de temperatuur "130 °C" kunt u lezen "265 °F".
- g. Volg alle instructies voor het opladen en laad de accu of het gereedschap niet op bij een temperatuur buiten het in de instructies opgegeven temperatuurbereik.** Onjuist opladen of opladen bij temperaturen buiten het opgegeven bereik kan de accu beschadigen en het risico van brand vergroten.
- 6. Onderhoud**
- a. Laat het gereedschap alleen repareren door gekwalificeerd en vakkundig personeel en alleen met originele vervangingsonderdelen.** De veiligheid van het gereedschap blijft dan gewaarborgd.

- b. **Voer nooit onderhoudswerken uit aan beschadigde accu's.** Alleen de fabrikant of een geautoriseerd servicecentrum mag servicewerkzaamheden aan accu's uitvoeren (geldt alleen voor accugereedschap).

Algemene veiligheidswaarschuwingen voor kettingzagen



Waarschuwing! Aanvullende veiligheidswaarschuwingen voor kettingzagen

- ◆ **Houd alle lichaamsdelen uit de buurt van de zaagketting terwijl de kettingzaag in bedrijf is. Controleer voordat u de kettingzaag start of de zaagketting vrij kan draaien.** Een moment van onoplettendheid bij het gebruik van kettingzagen kan ertoe leiden dat kledingstukken of lichaamsdelen in de kettingzaag verstrikt raken.
- ◆ **Houd altijd uw rechterhand op de achterste handgreep van de kettingzaag en uw linkerhand op de voorste handgreep.** De kettingzaag omgekeerd vasthouden vergroot het risico op persoonlijk letsel en mag nooit gedaan worden.
- ◆ **Houd de kettingzaag alleen vast bij de geïsoleerde greepoppervlakken, omdat de kettingzaag met verborgen bedrading in aanraking kan komen.** Wanneer een draad 'onder spanning' met een kettingzaag wordt geraakt, kunnen niet afgeschermd metalen onderdelen van het gereedschap 'onder spanning' komen te staan en de gebruiker een elektrische schok geven.
- ◆ **Draag oogbescherming. Ook wordt het dragen van beschermende uitrusting voor hoofd, handen, benen en voeten aanbevolen. Afdoende beschermende uitrusting zal persoonlijk letsel vanwege rondvliegende afval of onbedoeld contact met de zaagketting verminderen.**
- ◆ **Gebruik de kettingzaag niet in een boom, op een ladder, op een dak of een andere instabiele ondersteuning. Het op deze manier gebruiken van een kettingzaag kan tot ernstig persoonlijk letsel leiden.**
- ◆ **Zorg er altijd voor dat u stevig staat en gebruik de kettingzaag alleen wanneer u op een stabiel, veilig en horizontaal vlak staat.** Gladde of instabiele oppervlakken, zoals ladders, kunnen ervoor zorgen dat het evenwicht of de controle over de kettingzaag wordt verloren.
- ◆ **Wees er bedacht op dat takken die onder spanning staan, kunnen terugveren wanneer u ze doorzaagt.** Zodra de spanning in de houtvezels vrijkomt, kan de gebruiker door de tak worden geraakt en/of de kettingzaag ongecontroleerd wegslingeren.
- ◆ **Ga zeer voorzichtig te werk bij het zagen van struikgewas of jong hout.**

Het dunne materiaal kan in de zaagketting vast komen te zitten en naar u toe zwiepen of u uw evenwicht doen verliezen.

- ◆ **Draag de kettingzaag aan de voorste handgreep, in uitgeschakelde toestand en van uw lichaam af gericht. Plaats altijd de kap over het zwaard als u de kettingzaag vervoert of bewaart.** Een juist gebruik van de kettingzaag verkleint de kans dat u de bewegende zaagketting raakt.
- ◆ **Volg de instructies voor het smeren en spannen van de ketting en het vervangen van accessoires nauwgezet op.** Een onjuist gespannen of gesmeerde ketting kan breken en vergroot de kans op terugslag
- ◆ **Zaag uitsluitend hout. Gebruik de kettingzaag niet voor doeleinden waarvoor deze niet bestemd is. Bijvoorbeeld: gebruik de kettingzaag niet voor het zagen van kunststof, metselwerk of bouwmaterialen die niet van hout zijn.** Gebruik voor andere doeleinden dan deze waarvoor de kettingzaag bestemd is, kan leiden tot gevaarlijke situaties.
- ◆ **Deze kettingzaag is niet bedoeld voor het vellen van bomen. De kettingzaag gebruiken voor andere handelingen dan deze waarvoor de kettingzaag bedoeld is, kan leiden tot ernstige letsels voor de gebruiker of omstaanders.**
- ◆ **Indien er sprake is van geblokkeerd materiaal, opslag of onderhoud/repatrie van de kettingzaag, dienen alle instructies opgevolgd te worden. Verzekert dat de schakelaar op uit staat en de accu verwijderd is. Het onverwacht in werking stellen van de kettingzaag, terwijl blokkerend materiaal wordt verwijderd of onderhoud/repatrie wordt uitgevoerd, kan ernstig letsel tot gevolg hebben.**

Aanvullende veiligheidswaarschuwingen voor elektrisch gereedschap



Waarschuwing! Aanvullende veiligheidswaarschuwingen voor compacte kettingzagen.

Het bedoeld gebruik wordt beschreven in deze gebruiksaanwijzing. De heggenschaar mag niet worden gebruikt voor andere doeleinden dan waarvoor deze is bestemd. Het apparaat mag daarom bijvoorbeeld niet worden gebruikt voor het snoeien van bomen. Het gebruik van andere accessoires of hulpstukken of het uitvoeren van andere dan in deze gebruikershandleiding aanbevolen handelingen, kan een risico op persoonlijk letsel vormen.

- ◆ **Draag nauw aansluitende en beschermende kleding en een veiligheidshelm met beschermglas of een veiligheidsbril, antislip veiligheidsschoeisel, een beschermende broek en stevige lederen handschoenen.**
- ◆ **Zorg dat u buiten de baan blijft van vallende takken.**

- ◆ De veilige afstand tussen een tak die wordt afgezaagd en omstaanders, gebouwen en andere objecten is ten minste 2 1/2 keer de lengte van de tak. Een omstander, gebouw of object binnen deze afstand loopt het risico door de vallende tak te worden geraakt.
- ◆ Plan van tevoren een veilige uitweg, weg van vallende takken. Zorg ervoor dat de vluchtweg vrij is van obstakels die u zouden kunnen hinderen. Bedenk dat nat gras en vers gezaagde boomschors glad zijn.
- ◆ Zorg ervoor dat er iemand in de buurt (maar op veilige afstand) is voor het geval er zich een ongeluk voordoet.
- ◆ Gebruik het gereedschap niet als u in een boom, op een ladder of op een ander onstabiel oppervlak staat.
- ◆ Blijf te allen tijde stevig en in evenwicht staan.
- ◆ Houd het gereedschap stevig met beide handen vast als de motor draait.
- ◆ Zorg dat het uiteinde van het zwaard nergens mee in aanraking komt als de zaagketting draait.
- ◆ Zaag uitsluitend met de ketting draaiend op volle snelheid.
- ◆ Probeer niet om de zaag niet in een vorige zaagsnede te steken. Maak altijd een nieuwe zaagsnede.
- ◆ Wees bedacht op bewegende takken of andere krachten die de zaagsnede kunnen dichtknijpen of op de ketting kunnen vallen.
- ◆ Probeer niet om een tak door te zagen waarvan de diameter groter is dan de zaaglengte van het gereedschap.
- ◆ Haal de accu altijd uit het gereedschap en plaats de kettingbescherming over de ketting wanneer het gereedschap wordt opgeborgen of vervoerd.
- ◆ Zorg dat de ketting geslepen en op de juiste spanning blijft. Controleer regelmatig de kettingspanning.
- ◆ Schakel het apparaat uit, laat de ketting tot stilstand komen en verwijder de accu uit het apparaat voordat u het apparaat gaat instellen, reinigen of onderhouden.
- ◆ Gebruik uitsluitend de juiste, voor het apparaat bestemde reserveonderdelen en accessoires.
- ◆ **Houd de handvatten droog, schoon en vrij van olie en vet.** Vettige handvatten zijn glad, waardoor u de controle over het gereedschap kunt verliezen.
- ◆ **De gekartelde stootrand kan scherp worden naarmate u het apparaat langer gebruikt. Ga voorzichtig te werk.**
- ◆ **De kettinggeleider kan heet worden tijdens het zagen. Let hier goed op.**

Oorzaken en voorkoming van terugslag

Er kan terugslag optreden wanneer de punt van het zwaard op een voorwerp stoot of het hout terugveert en de zaagketting in de zaagsnede klem komt te zitten.

Als de punt een voorwerp raakt, kan dit in sommige gevallen een plotse reactie veroorzaken en het zwaard plotseling omhoog en naar achter slaan, in de richting van de gebruiker.

Wanneer de zaagketting aan de bovenzijde van het zwaard klem komt te zitten, kan het zwaard snel achterwaarts in de richting van uw lichaam worden geduwd.

Door deze beide reacties kunt u de controle over de kettingzaag verliezen en ernstig lichamelijk letsel oplopen. Vertrouw niet uitsluitend op de ingebouwde veiligheidsvoorzieningen van de kettingzaag. Als gebruiker van de kettingzaag, moet u ook verschillende stappen ondernemen om letsels of ongevallen tijdens zaagwerkzaamheden te voorkomen.

Terugslag is het gevolg van het verkeerd gebruik of onjuiste gebruiksomstandigheden van het gereedschap en kan worden voorkomen door het nemen van gepaste voorzorgsmaatregelen, zoals hieronder beschreven:

- ◆ **Zorg voor een stevige grip door uw duimen en vingers om de handgrepen te sluiten. Plaats, met beide handen op de kettingzaag, uw lichaam en arm op een manier waarop u aan de krachten van terugslag kunt weerstaan.** Met geschikte voorzorgsmaatregelen kunt u de terugslagkrachten onder controle houden. Laat de kettingzaag niet los.
- ◆ **Reik niet buiten uw macht en zaag niet boven schouderhoogte.** Dit voorkomt onbedoeld contact met de punt en zorgt ervoor dat u de kettingzaag in onverwachte situaties beter onder controle kunt houden.
- ◆ **Gebruik uitsluitend door de fabrikant opgegeven zwaarden en kettingen.** Onjuiste vervangzwaarden en -kettingen kunnen kettingbreuk en/of terugslag veroorzaken.
- ◆ **Volg de slijp- en onderhoudsinstructies van de fabrikant van de zaagketting.** Verkleining van de dieptemaat kan tot meer terugslag leiden.

Veiligheidsaanbevelingen voor de kettingzaag

- ◆ Onervaren gebruikers wordt sterk aangeraden een ervaren gebruiker om praktische instructies over het gebruik van de kettingzaag en veiligheidsuitrusting te vragen. De eerste ervaringen kunnen het beste worden opgedaan met het zagen van stammen op een zaagbok of -station.
- ◆ Wij adviseren u om tijdens het dragen van de kettingzaag de accu te verwijderen en de zaagketting naar achter te richten.
- ◆ Onderhoud uw kettingzaag als u deze niet gebruikt. Berg de kettingzaag niet op zonder dat u eerst de ketting en het zwaard uit de zaag hebt verwijderd en ondergedompeld in olie hebt bewaard. Bewaar alle onderdelen van uw kettingzaag op een droge, veilige plaats, buiten het bereik van kinderen.
- ◆ Laat het oliereservoir leeglopen voordat u de kettingzaag opbergt.
- ◆ Zorg ervoor dat u stevig staat en zoek vooraf een veilige uitweg in geval van vallende bomen of takken.

- ◆ Maak gebruik van wiggen om controle te houden over het kapproces en om te voorkomen dat de ketting en het zwaard in de zaagsnede vast komen te zitten.
- ◆ Onderhoud de zaagketting. Houd de zaagketting scherp en zorg dat deze stevig tegen het zwaard ligt. Zorg ervoor dat de zaagketting en het zwaard schoon en goed geolied zijn. Houd de handvatten droog, schoon en vrij van olie en vet.

Terugslag kan worden veroorzaakt door:

- ◆ Takken of andere voorwerpen per ongeluk raken met de punt van de zaag, terwijl de zaagketting in beweging is.
- ◆ Het raken van metaal, cement of andere harde materialen in of in de buurt van het hout.
- ◆ Een botte of losse ketting.
- ◆ Het zagen boven schouderhoogte.
- ◆ Gebrek aan aandacht bij het vasthouden of leiden van de kettingzaag tijdens het zagen.
- ◆ Te hoog reiken. Zorg altijd voor een juiste, stabiele houding en reik niet te ver.
- ◆ Probeer niet om de zaag niet in een vorige zaagsnede te steken. Dit kan een terugslag veroorzaken. Maak elke keer een nieuwe zaagsnede.
- ◆ We raden u stellig aan om de kettingzaag niet te gebruiken als u zich in een boom, op een ladder of op een ander onstabiel oppervlak bevindt. Als u dit wel doet, dient u te beseffen dat deze posities extreem gevaarlijk zijn.
- ◆ Bij het zagen van een tak die onder spanning staat, moet u er rekening mee houden dat deze kan terugspringen. Zorg ervoor dat u niet geraakt wordt.

Vermijd zagen:

- ◆ In voorbehandeld hout.
- ◆ In de grond.
- ◆ In gaasfrasteringen, spijkers, enz.
- ◆ In kort struikgewas of jong hout, want dun materiaal kan in de zaagketting vast komen te zitten en naar u toe zwiepen of u uit balans trekken.
- ◆ Gebruik de kettingzaag niet boven schouderhoogte.
- ◆ Zorg ervoor dat er iemand in de buurt (maar op veilige afstand) is voor het geval er zich een ongeluk voordoet.
- ◆ Controleer dat de kettingzaag uitgeschakeld is en de accu verwijderd is, als u de zaagketting om welke reden dan ook moet aanraken.
- ◆ Het geluidsniveau van dit product kan meer dan 80 dB(A) bedragen. Het is daarom raadzaam om de gepaste maatregelen te nemen om uw gehoor te beschermen

Overige risico's.

Er kunnen zich bij het gebruik van dit gereedschap nog meer risico's voordoen, die mogelijk niet in de bijgesloten veiligheidswaarschuwingen worden beschreven.

Deze risico's kunnen zich voordoen door onoordeelkundig gebruik, langdurig gebruik, enz.

Zelfs wanneer de veiligheidsvoorschriften in acht worden genomen en de veiligheidsvoorzieningen worden gebruikt, kunnen bepaalde risico's niet worden uitgesloten. Dit zijn onder meer:

- ◆ Verwondingen die worden veroorzaakt door het aanraken van draaiende of bewegende onderdelen.
- ◆ Verwondingen die worden veroorzaakt bij het vervangen van onderdelen, bladen of accessoires.
- ◆ Letsel dat wordt veroorzaakt door langdurig gebruik van gereedschap. Wanneer u gereedschap gedurende langere periodes gebruikt, neem dan regelmatig pauzes.
- ◆ Gehoorbeschadiging.
- ◆ Gezondheidsrisico's door het inademen van stof dat vrijkomt tijdens het gebruiken van uw gereedschap (bijvoorbeeld:- het werken met hout, met name eiken, beuken en MDF.)

Trillingen

De aangegeven waarden voor trillingsemmissie en de verklaarde waarde(n) voor trillingsemmissie die worden vermeld in de technische gegevens en de conformiteitsverklaring, zijn gemeten conform een standaardtestmethode die door EN 62841 wordt verstrekt. Hiermee kan het ene gereedschap met het andere worden vergeleken. De aangegeven waarde voor trillingsemmissie en de verklaarde waarde(n) voor trillingsemmissie kunnen ook worden gebruikt bij een voorlopige bepaling van blootstelling.

Waarschuwing! De waarde voor trillings- en geluidsemmissie tijdens het werkelijke gebruik van het elektrisch gereedschap kan verschillen van de aangegeven waarde, afhankelijk van de manieren waarop het gereedschap wordt gebruikt. Het trillingsniveau kan toenemen tot boven het aangegeven niveau.

Bij beoordeling van de blootstelling aan trillingen met het doel vast te stellen welke veiligheidsmaatregelen 2002/44/EG vereist ter bescherming van personen die tijdens hun werk regelmatig elektrisch gereedschap gebruiken, moet bij een inschatting van de blootstelling aan trillingen rekening worden gehouden met de werkelijke gebruiksomstandigheden en de manier waarop het gereedschap wordt gebruikt. Daarbij moet ook rekening worden gehouden met alle onderdelen van de bedrijfscyclus, zoals wanneer het gereedschap wordt uitgeschakeld en wanneer het gereedschap stationair loopt en ook de aanlooptijd.

Etiketten op het gereedschap

Naast de datumcode is het gereedschap voorzien van de volgende symbolen:



Waarschuwing! De gebruiker moet de instructiehandleiding lezen zodat het risico van letsel wordt beperkt.



Gebruik uw zaag niet in natte omstandigheden en stel deze niet bloot aan regen.



Draag altijd hoofd-, gehoor- en gezichtsbescherming.



Draag altijd handschoenen.



Draag altijd antislipschoeisel.



Houd een kettingzaag altijd stevig met beide handen vast.



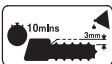
Let op voor de terugslag van de kettingzaag en vermijd contact met de tip van de kettingstang.



Bedien de kettingzaag niet met één hand.



Wees bedacht op vallende voorwerpen. Houd omstanders op afstand



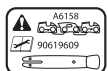
Controleer, om verdere veilige werking te verzekeren, de kettingspanning na elke 10 minuten gebruik, zoals wordt beschreven in deze handleiding, en stel ze opnieuw af op een speling van 3 mm zoals vereist. Smeer de ketting steeds na 10 minuten gebruik.



Waarschuwing! Raak de ketting niet aan bij het zaagselafvoerpunt



Draairichting van de ketting.



Om een voortdurend veilige werking te verzekeren, mogen de ketting en het zwaard uitsluitend door originele onderdelen van BLACK+ DECKER worden vervangen. Het betreft onderdeelnummer A6158 voor een vervangketting en onderdeelnummer 90619609 voor een vervangzwaard.



Schakel het gereedschap uit. Neem, voordat u onderhoud aan het gereedschap uitvoert, de accu uit het gereedschap.



Richtlijn 2000/14/EC Gegarandeerd geluidsvermogen.

Aanvullende veiligheidsinstructies voor accu's en laders

Accu's

- ◆ Probeer nooit om welke reden dan ook batterijen open te maken.
- ◆ Stel de accu niet bloot aan water.
- ◆ Stel de accu niet bloot aan hitte.
- ◆ Niet bewaren op plaatsen waar de temperatuur kan oplopen tot boven 40 °C.
- ◆ Laad de accu alleen op bij een omgevingstemperatuur van 10°C tot 40°C.
- ◆ Gebruik alleen de lader die bij het gereedschap/apparaat is geleverd. Het gebruik van de verkeerde lader kan een elektrische schok of oververhitting van de accu tot gevolg hebben.
- ◆ Gooi lege accu's weg volgens de instructies in het gedeelte "Milieu".
- ◆ U mag de accubehuizing niet beschadigen of vervormen door er gaten in te prikken of ertegen aan te stoten, aangezien dit kan leiden tot letsel of brand.
- ◆ Laad beschadigde batterijen niet op.

Onder extreme omstandigheden kan lekkage van batterijen optreden. Veeg wanneer u vloeistof op de accu's opmerkt, de vloeistof voorzichtig af met een doek. Vermijd huidcontact. Volg in het geval van huid- of oogcontact onderstaande instructies.

Waarschuwing! De accuvloeistof kan lichamelijk letsel en materiële schade veroorzaken. Bij huidcontact moet u de vloeistof direct afspoelen met water. Raadpleeg uw huisarts als er rode vlekken ontstaan of bij een pijnlijke of geïrriteerde huid. Bij oogcontact moet u de vloeistof direct uitspoelen met water en uw huisarts raadplegen.

Laders

Waarschuwing! De lader is ontworpen voor een bepaalde spanning. Controleer altijd dat de netspanning overeenstemt met de spanning op het typeplaatje.

Waarschuwing! Probeer nooit de lader te voorzien van een normale netstekker.

- ◆ Gebruik de lader van BLACK+DECKER alleen voor de accu in het gereedschap/ apparaat waarbij de lader is geleverd. Andere accu's kunnen barsten, met persoonlijk letsel en schade tot gevolg.
- ◆ Niet-oplaadbare accu's mogen nooit worden opgeladen.

- ◆ Als het netsnoer is beschadigd, moet het worden vervangen door de fabrikant of een officieel BLACK+DECKER-servicecentrum, om gevaarlijke situaties te vermijden.
- ◆ Stel de lader niet bloot aan water.
- ◆ Open de lader niet.
- ◆ Prik nooit met een scherp voorwerp in de lader.
- ◆ De lader moet tijdens het opladen op een goed geventileerde plaats gezet worden.

Labels op de lader

Uw lader is voorzien van de volgende symbolen:



De lader is uitsluitend bestemd voor gebruik binnenshuis.



Lees de instructiehandleiding voor u de lader in gebruik neemt.

Elektrische veiligheid



De lader is dubbel geïsoleerd, en daarom is een aardedraad niet nodig. Controleer altijd dat de netspanning overeenstemt met de spanning op het typeplaatje. Probeer nooit de lader te voorzien van een normale netstekker.

- ◆ Als het netsnoer is beschadigd, moet dit worden vervangen door de fabrikant of een BLACK+DECKER-servicecentrum, zodat gevaarlijke situaties worden voorkomen.

Kenmerken

1. Aan/uit-schakelaar
2. Knop voor vergrendeling in de uit-stand
3. Oliedop
4. Oliereservoir
5. Beschermkap voorzijde
6. Kettingbeschermer
7. Stelschroef voor kettingspanning
8. Ketting
9. Zwaard
10. Accu
11. Beschermkap
12. Lader

Montage

Waarschuwing! Verwijder de accu (10) uit het gereedschap voordat u gaat monteren.

De accu plaatsen en verwijderen (afb. A)

- ◆ U plaatst de accu (10) door deze op één lijn te plaatsen met het contragedeelte op het gereedschap.

Schuif de accu (10) in het contragedeelte en duw totdat de accu (10) vastklikt.

- ◆ Druk, als u de accu (10) wilt verwijderen, op de vrijgaveknop (24) en trek tegelijkertijd de accu (10) uit het contragedeelte.

Waarschuwing! Verzeker, om onbedoeld inschakelen te voorkomen, dat de accu verwijderd is en de beschermkap (11) op de zaagketting (8) geplaatst is voordat u de volgende handelingen uitvoert. Als u dat niet doet, kan dat tot ernstig letsel leiden.

De accu laden (afb. B)

De accu moet vóór het eerste gebruik worden opgeladen, en ook zodra de accu niet meer voldoende vermogen levert voor taken die eerst gemakkelijk konden worden uitgevoerd. Tijdens het opladen kan de accu warm worden. Dit is normaal en duidt niet op een probleem.

Waarschuwing! Laad de batterij niet op bij een omgevingstemperatuur lager dan 10 °C of hoger dan 40 °C. De aanbevolen laadtemperatuur is ongeveer 24 °C.

Opmerking: De accu wordt niet opgeladen als de temperatuur van de accu lager dan ongeveer 10 °C of hoger dan 40 °C is. De accu moet in de lader blijven zitten en zal automatisch opgeladen worden wanneer de celtemperatuur toe- of afneemt.

- ◆ Plaats de accu (10) in de lader (12) om deze op te laden. De accu zal slechts in een richting in de lader passen. Oefen er geen kracht op uit. Controleer dat de accu goed in de lader is geplaatst.

◆ Steek de stekker van de lader in een stopcontact. De oplaadindicator (23) gaat knipperen.

Wanneer het oplaadlampje (23) blijft branden, is de accu volledig opgeladen. De accu kan voor onbepaalde tijd in de lader blijven. Het lampje gaat branden wanneer de lader de accu van tijd tot tijd bijlaadt.

- ◆ Laad lege accu's binnen 1 week op. De levensduur van accu's zal sterk afnemen als ze ontladen worden bewaard.

De accu in de lader laten

U kunt de accu voor onbepaalde tijd in de lader laten terwijl het LED-lampje blijft branden. De lader houdt de accu volledig opgeladen.

De zaagketting plaatsen en verwijderen (afb. C–E, G)



Draag altijd handschoenen bij het verwijderen of monteren van de zaagketting (8). De ketting is scherp en kan u ook verwonden als deze niet draait.

- ◆ Leg het gereedschap op een stevig en stabiel oppervlak.

- ◆ Draai de inbusschroeven (14) los met de bijgeleverde inbussleutel (21). Verwijder de inbusschroeven (14).
- ◆ Verwijder de kettingbeschermer (6).
- ◆ Draai de schroef voor het instellen van de kettingspanning (7) naar links zodat het zwaard (9) zich terug kan trekken en om de spanning op de zaagketting (8) te verminderen.
- ◆ Verwijder de oude zaagketting (8) van het tandwiel (15) en het zwaard (9).
- ◆ Plaats de nieuwe zaagketting (8) in de groef van het zwaard (9) en rond het tandwiel (15). Verzeker dat de tanden in de juiste richting wijzen, de pijl op de zaagketting (8) moet in dezelfde richting wijzen als de pijl op de kettingbeschermer (6).
- ◆ Verzeker dat de sleuf (17) in het zwaard (9) zich boven de locatiepinnen (18) bevindt en dat het gat (20) onder de sleuf zich over de instelpin (19) bevindt.
- ◆ Plaats de kettingbeschermer (6) en de 2 inbusschroeven (14) terug.
- ◆ Draai de inbusschroeven (14) vast met de bijgeleverde inbussleutel (21).
- ◆ U kunt de kettingspanning op de hierna beschreven wijze afstellen.

De kettingspanning controleren en afstellen (afb. C-F)

- ◆ Controleer de kettingspanning. De spanning is juist wanneer de zaagketting (8) terugschiet als deze 3 mm van het zwaard (9) wordt weggetrokken, waarbij met de middelvinger en de duim lichte druk wordt uitgeoefend. De zaagketting mag aan de onderzijde van het kettingzwaard (9) en de ketting (8) 'niet doorzakken'.

Stel de spanning als volgt af:

- ◆ Draai de 2 inbusschroeven (14) los.
- ◆ Draai de stelschroef voor de kettingspanning (7) rechtsom.

Waarschuwing! Stel de ketting niet te strak af. Dit leidt tot overmatige slijtage en beperkt de levensduur van het zwaard en de ketting.

- ◆ Zet de 2 inbusschroeven (14) vast zodra de kettingspanning juist is.

Waarschuwing! Controleer tijdens de eerste twee gebruiksuren regelmatig de kettingspanning, omdat een nieuwe zaagketting watrekt.

Het oliereservoir vullen (afb. G)

- ◆ Verwijder de oliedop (3) en vul het reservoir (4) met de aanbevolen kettingolie. U kunt het oliepeil zien in het oliereservoir (4). Plaats de oliedop (3) terug.
- ◆ Schakel de zaag regelmatig uit en controleer vervolgens het oliepeil; Als het reservoir minder dan een kwart gevuld is, haal de accu (10) dan uit het gereedschap en vul het reservoir (4) bij met de juiste olie.

De ketting smeren (afb. G)

De zaagketting (8) moet vóór elk gebruik en na reiniging gesmeerd worden en dit uitsluitend met olie van de juiste klasse (cat. nr. A6027).

- ◆ Smeer de zaagketting (8) voor het maken van elke zaagsnede door twee keer op de bol op de oliedop (3) te drukken en de bol 3-4 seconden ingedrukt te houden.

Gebruik

In- en uitschakelen (afb. G)

Waarschuwing! Laat het gereedschap op z'n eigen snelheid werken, niet overbelasten.

Voor uw veiligheid is dit gereedschap uitgerust met een dubbel schakelaarsysteem. Hierdoor wordt onbedoeld inschakelen van het gereedschap voorkomen.

Inschakelen

- ◆ Duw de knop voor vergrendeling (2) in en knijp tegelijkertijd de aan/uit-schakelaar (1) in.
- ◆ Laat de ontgrendelingsknop (2) los.

Uitschakelen

- ◆ Laat de aan/uit-schakelaar (1) los.

Waarschuwing! Probeer nooit om een schakelaar in de ingeschakelde stand te vergrendelen.

Bomen snoeien (afb. H)

Controleer of er geen wetten of voorschriften zijn die het snoeien van de boomtakken verbieden.

Snoeien mag alleen uitgevoerd worden door ervaren gebruikers, omdat er een verhoogd risico is op het klemmen van de zaagketting (8) en terugslag.

Houd vóór het snoeien rekening met alle omstandigheden die de valrichting kunnen beïnvloeden, waaronder:

- ◆ De lengte en het gewicht van de te zagen tak.
- ◆ Een verdikking of rotte plek.
- ◆ Andere bomen of obstakels zoals bovengrondse kabels.
- ◆ De richting en kracht van de wind.
- ◆ Vervlechtingen van de tak met andere takken.

Houd rekening met de toegankelijkheid van de tak en de valrichting. Takken hebben de neiging om naar de boomstam te zwaaien. Behalve de gebruiker loopt elke omstander, elk object of elk gebouw onder de tak gevaar.

Om splinteren te voorkomen, wordt de eerste snede van onder naar boven gemaakt, tot een diepte van maximaal één derde van de diameter van de tak. Maak vervolgens een neerwaartse tweede snede tot aan de eerste.

Licht zaagwerk (afb. I)

De manier van zagen is afhankelijk van de ondersteuning van het blok. Gebruik van een zaagbok waar mogelijk.

Begin een zaagsnede altijd met een draaiende zaagketting (8) en de gekartelde stoortrand tegen het hout. Maak draaibewegingen tegen het hout met de gekartelde stoortrand om de snede te voltooien.

Bij ondersteuning over de volledige lengte:

- ◆ Zaag in neerwaartse richting, maar zorg ervoor dat u de grond niet raakt, omdat dit uw zaag snel zal afbotten.
- ◆ Zaag eerst tot een derde omlaag om versplintering te voorkomen en vervolgens nogmaals tot aan de eerste snede.

Bij ondersteuning aan één uiteinde:

- ◆ Zaag eerst tot een derde omhoog en vervolgens omlaag om versplintering te voorkomen.
- ◆ Zagen op een helling:
 - ◆ Ga altijd heuvelopwaarts van het werk staan. Bij gebruik van een zaagbok (afb. I):
 - ◆ Dit wordt sterk aanbevolen, indien mogelijk.
 - ◆ Plaats het blok in een stabiele positie. Zaag altijd aan de buitenkant van de armen van de zaagbok. Zet het werkstuk met klemmen of riemen vast.

Reiniging, onderhoud en opbergen

Uw BLACK+DECKER-gereedschap is ontworpen om gedurende langere periode te functioneren met een minimum aan onderhoud.

Het continu naar tevredenheid functioneren hangt af van de juiste zorg voor het gereedschap en regelmatig schoonmaken. Uw lader vereist, behalve regelmatige reiniging, geen onderhoud.

Waarschuwing! Neem, voordat u onderhoud aan het gereedschap uitvoert, de accu uit het gereedschap. Neem de lader uit het stopcontact voordat u deze schoonmaakt.

Na gebruik en voordat het gereedschap wordt opgeborgen

Reinig de ventilatieopeningen regelmatig met een schone, droge verfborstel.

Reinig het gereedschap uitsluitend met een milde reinigingsoplossing en een vochtige doek. Laat nooit vloeistof in het apparaat dringen en dompel nooit een onderdeel van het apparaat onder in een vloeistof.

- ◆ Verwijder afval met een harde borstel.
- ◆ Smeer de ketting (8) met olie.

Zaagketting slijpen

Voor optimale prestaties van het gereedschap is het belangrijk dat de tanden van de zaagketting scherp blijven.

Richtlijnen voor deze procedure vindt u op de verpakking van de slijper. Voor dit doeleinde raden we aan dat u een BLACK+DECKER kettingslijpset koopt, verkrijgbaar bij uw BLACK+DECKER-servicevertegenwoordigers (cat. nr. A6039).

Vervangen van versleten of beschadigde zaagkettingen en zwaarden

Vervangzaagkettingen zijn verkrijgbaar in winkels en bij BLACK+DECKER-servicevertegenwoordigers (onderdeelnr. A6158), vervangzwaarden zijn alleen verkrijgbaar bij BLACK+DECKER-servicevertegenwoordigers (onderdeelnr. 90517720).

Gebruik alleen originele BLACK+DECKER kettingen en zwaarden, om het risico op letsel te vermijden. Gebruik altijd originele reserveonderdelen.

Scherpte van zaagketting

De zaagtanden worden direct bot als deze tijdens het zagen de grond of een spijker raken.

Spanning van zaagketting

Controleer regelmatig de kettingspanning.

Wat te doen als uw kettingzaag gerepareerd moet worden.

Uw gereedschap voldoet aan de geldende veiligheidsnormen. Reparaties mogen uitsluitend worden uitgevoerd door een gekwalificeerd persoon en met behulp van originele reserveonderdelen, anders kan dit een aanzienlijk gevaar voor de gebruiker vormen. We raden u aan om deze gebruiksaanwijzing op een veilige plaats te bewaren.

Opslag

Houd de accu (10) op de lader aangesloten wanneer het gereedschap enkele maanden niet wordt gebruikt.

Ga anders als volgt te werk:

- ◆ Verwijder de accu (10) uit het gereedschap.
- ◆ Laad de accu (10) volledig op.
- ◆ Berg het gereedschap en de accu (10) op een veilige en droge plaats op. De opslagtemperatuur moet altijd tussen + +10 °C en +40 °C blijven. Plaats de accu (10) op een vlak oppervlak.
- ◆ Laad de accu (10) opnieuw volledig op, voordat u het gereedschap opnieuw gebruikt na langdurige opslag

Het milieu beschermen



Gescheiden afvalinzameling. Producten en accu's waarop dit symbool is aangebracht, mogen niet bij het normale huishoudafval worden weggegooid.

Producten en accu's bevatten materialen die kunnen worden teruggewonnen of gerecycled en dat doet de vraag naar grondstoffen afnemen.

Recycle elektrische producten en accu's volgens de ter plaatse geldende bepalingen. Nadere informatie is beschikbaar op www.2helpU.com

Technische gegevens

GKC1820L 20 Type 3		
Spanning	V _{DC}	18
Kettingnelheid (onbelast)	m/min	190
Gewicht	kg	1,55
Accu BL2018		
Spanning	V _{DC}	18
Capaciteit	Ah	2,0
Type		Li-Ion
Lader 905902**TYPE 1		
Ingangsspanning	V _{AC}	100-240
Uitgangsspanning	V _{DC}	8-20
Uitgangsstroom	mA	400
Gegarandeerd geluidsdrukniveau gemeten overeenkomstig EN62841:		
LpA (emissie geluidsdrukniveau) 78 dB(A), onzekerheid (K) 3 dB(A)		
LwA (gemeten geluidvermogensniveau) 94 dB(A), onzekerheid (K) 1,9 dB (A)		
Totale vibratiewaarden (triax vectorsoom) overeenkomstig EN 62841:		
Waarde trillingsemisatie (a _h) = 5,5 m/s ² , onzekerheid (K) = 1,5 m/s ²		

EG-conformiteitsverklaring

RICHTLIJN VOOR MACHINES



GKC1820L 20 – Compacte kettingzaag

Black & Decker verklaart dat de producten die worden beschreven onder “technische gegevens”, voldoen aan:

2006/42/EG,

EN 62841-1:2015+A11:2022, EN 62841-4-1:2020

LWA (gemeten geluidvermogensniveau) 94 dB(A),
onzekerheid (K) = 1,9 dB (A),

LWA (gegarandeerd geluidvermogen) 96 dB(A)

Deze producten voldoen ook aan richtlijn
2014/30/EU en 2011/65/EU.

Neem voor meer informatie contact op met Black & Decker op het volgende adres of raadpleeg de achterkant van de handleiding.

Ondergetekende is verantwoordelijk voor de samenstelling van het technische bestand en legt deze verklaring af namens Black & Decker.

Patrick Diepenbach

Patrick Diepenbach
General Manager, Benelux
Black & Decker,
Egide Walschaertsstraat 14-18
2800 Mechelen, België
8-9-2022

Garantie

Black & Decker heeft vertrouwen in zijn producten en biedt consumenten een garantie van 24 maanden vanaf de aankoopdatum. Deze garantie vormt een aanvulling op uw wettelijke rechten en beperkt deze niet.

De garantie is geldig op het grondgebied van de Lidstaten van de Europese Unie, de Europese Vrijhandelszone en het Verenigd Koninkrijk.

Voor een garantie-aanspraak moet uw aanspraak in overeenstemming zijn met de Voorwaarden en Condities van Black & Decker en moet u een bewijs van aankoop overleggen aan de verkoper of aan een geautoriseerde reparatiemonteur. Voorwaarden en condities van de 2-jarige garantie van Black & Decker en het adres van de vestiging van het geautoriseerde reparatiecentrum bij u in de buurt, kunt u vinden op internet op www.2helpU.com, of door contact op te nemen met het Black & Decker-kantoor ter plaatse, op het adres dat in deze handleiding wordt vermeld.

Bezoek onze website www.blackanddecker.nl, waar u uw nieuwe BLACK+DECKER-product kunt registreren en informatie kunt verkrijgen over nieuwe producten en speciale aanbiedingen.

Uso previsto

La podadora de cadena GKC1820L 20 de BLACK+DECKER™ ha sido diseñada para trabajos ligeros de corte y poda.

Esta herramienta ha sido concebida únicamente para uso doméstico.

Instrucciones de seguridad

Advertencias de seguridad para herramientas eléctricas en general



¡Advertencia! Lea todas las advertencias de seguridad, instrucciones, ilustraciones y especificaciones suministradas con esta herramienta eléctrica. El incumplimiento de las instrucciones que se indican a continuación puede causar descargas eléctricas, incendios y/o lesiones graves.

Guarde todas las advertencias e instrucciones para futuras consultas. El término "herramienta eléctrica" empleado en las advertencias a continuación hace referencia a la herramienta eléctrica con alimentación de red (con cable) o alimentada por batería (sin cable).

1. Seguridad del área de trabajo

- a. **Mantenga limpia y bien iluminada el área de trabajo.** Las áreas en desorden u oscuras pueden provocar accidentes.
- b. **No utilice herramientas eléctricas en entornos con peligro de explosión, como aquellos en los que haya líquidos, gases o polvos inflamables.** Las herramientas eléctricas originan chispas que pueden inflamar el polvo o los gases.
- c. **Mantenga alejados del área de trabajo a los niños y a otras personas cuando emplee la herramienta eléctrica.** Las distracciones pueden causar la pérdida del control de la herramienta.

2. Seguridad eléctrica

- a. **El enchufe de la herramienta eléctrica debe corresponder a la toma de corriente. No modifique nunca el enchufe de ninguna forma. No utilice ningún enchufe adaptador con las herramientas eléctricas conectadas a tierra (puestas a masa).** Los enchufes no modificados y las tomas de corriente compatibles reducen el riesgo de descarga eléctrica.
- b. **Evite que su cuerpo toque partes conectadas o puestas a tierra tales como tuberías, radiadores, cocinas y refrigeradores.** Existe un mayor riesgo de descarga eléctrica si su propio cuerpo está conectado a tierra.

- c. **No exponga las herramientas eléctricas a la lluvia y a la humedad.** Si entra agua en una herramienta eléctrica, aumenta el riesgo de descarga eléctrica.
- d. **Cuide el cable de alimentación. No use nunca el cable para transportar, tirar de la herramienta eléctrica o desenchufarla. Mantenga el cable alejado del calor, aceite, cantos afilados y piezas en movimiento.** Los cables dañados o enredados aumentan el riesgo de descarga eléctrica.
- e. **Al trabajar con la herramienta eléctrica en la intemperie utilice solamente cables de prolongación homologados para su uso en exteriores.** La utilización de un cable adecuado para el uso en exteriores reduce el riesgo de descarga eléctrica.
- f. **Si la utilización de una herramienta eléctrica en un lugar húmedo es inevitable, utilice una fuente protegida con un dispositivo diferencial residual (DDR).** El uso de un DDR reduce el riesgo de descarga eléctrica.

3. Seguridad personal

- a. **Esté atento a lo que hace y emplee la herramienta eléctrica con prudencia. No maneje una herramienta eléctrica cuando esté cansado o bajo los efectos de drogas, medicamentos o alcohol.** Un momento de falta de atención cuando se manejan las herramientas eléctricas puede ocasionar lesiones personales graves.
- b. **Utilice un equipo de protección personal. Utilice siempre protección ocular.** El uso de equipo de protección como mascarillas antipolvo, calzado antideslizante, casco de seguridad o protección auditiva para las condiciones apropiadas reduce las lesiones personales.
- c. **Impida que la herramienta se ponga en marcha involuntariamente. Asegúrese de que el interruptor se encuentre en la posición de apagado antes de conectar la herramienta a la fuente de alimentación o a la batería, o de coger o transportar la herramienta.** Transportar herramientas eléctricas con el dedo puesto en el interruptor o herramientas eléctricas activadoras que tengan el interruptor encendido puede provocar accidentes.
- d. **Retire las herramientas de ajuste o llaves fijas antes de encender la herramienta eléctrica.** Dejar una llave inglesa u otra llave puesta en una pieza en movimiento de la herramienta eléctrica puede ocasionar lesiones personales.
- e. **Sea precavido. Mantenga un equilibrio adecuado y la estabilidad constantemente.** Esto permite un mejor control de la herramienta eléctrica en situaciones inesperadas.
- f. **Lleve puesta una vestimenta de trabajo adecuada. No se ponga ropa suelta o joyas.**

- Mantenga el cabello, la ropa y los guantes alejados de las piezas en movimiento.** La ropa suelta, las joyas y el pelo largo pueden quedar atrapados en las piezas en movimiento.
- g. **Siempre que sea posible utilizar unos equipos de aspiración o captación de polvo, asegúrese de que estén montados y de se utilicen correctamente.** El uso de equipo de recogida de polvo puede reducir los riesgos relacionados con el polvo.
 - h. **Evite que la familiaridad adquirida con el uso frecuente de las herramientas le haga confiarse demasiado e ignorar las normas de seguridad de las herramientas.** Una utilización descuidada puede provocar lesiones graves en cuestión de segundos.
4. **Uso y cuidado de herramientas eléctricas**
 - a. **No sobrecargue la herramienta eléctrica. Use la herramienta eléctrica correcta para su trabajo.** La herramienta eléctrica correcta funcionará mejor y con mayor seguridad si se utiliza de acuerdo con sus características técnicas.
 - b. **No utilice la herramienta eléctrica si no se puede encender y apagar con el interruptor.** Toda herramienta eléctrica que no pueda controlarse con el interruptor es peligrosa y debe ser reparada.
 - c. **Desconecte el enchufe de la herramienta eléctrica de la fuente de alimentación y/o la batería antes de realizar cualquier ajuste, cambiar accesorios o guardar la herramienta.**
Dichas medidas de seguridad preventivas reducen el riesgo de poner en marcha accidentalmente la herramienta eléctrica.
 - d. **Guarde las herramientas eléctricas fuera del alcance de los niños y no permita que la utilicen las personas no familiarizadas con su uso o con estas instrucciones.** Las herramientas eléctricas son peligrosas en manos de personas no capacitadas.
 - e. **Realice el mantenimiento de sus herramientas eléctricas. Compruebe que las piezas móviles no estén desalineadas ni atascadas, que no haya piezas rotas y cualquier otra condición que pudiera afectar al funcionamiento de la herramienta eléctrica. Si la herramienta eléctrica está dañada, llévela para que sea reparada antes de utilizarla.** Se ocasionan muchos accidentes por el mal mantenimiento de las herramientas eléctricas.
 - f. **Mantenga las herramientas de corte limpias y afiladas.** Hay menos probabilidad de que las herramientas de cortar con bordes afilados se bloqueen, y son más fáciles de controlar.
 - g. **Utilice la herramienta eléctrica, los accesorios, los útiles de la herramienta, etc. de acuerdo con estas instrucciones, y tenga en cuenta las condiciones de trabajo y la tarea que va a realizar.** El uso de la herramienta eléctrica para operaciones que no sean las previstas puede ocasionar una situación peligrosa.
 - h. **Mantenga las empuñaduras y superficies de agarre secas, limpias y libres de aceite y grasa. Las empuñaduras resbaladizas y las superficies engrasadas impiden aferrar y controlar la herramienta en situaciones imprevistas.**
5. **Uso y cuidado de la herramienta de batería**
 - a. **Recárguela solo con el cargador especificado por el fabricante.** Un cargador adecuado para un tipo de batería puede provocar riesgos de incendios al ser utilizado con otra batería.
 - b. **Utilice las herramientas eléctricas solamente con las baterías recomendadas.** El uso de otras baterías puede suponer un riesgo de lesiones e incendio.
 - c. **Cuando no utilice la batería, manténgala alejada de objetos de metal como clips para papel, monedas, llaves, clavos, tornillos y otros pequeños objetos metálicos que pueden realizar una conexión de un terminal a otro.** Si se produce un cortocircuito entre los terminales de la batería, pueden ocasionarse incendios o quemaduras.
 - d. **En caso de uso abusivo puede salir líquido de la batería, evite el contacto. Si se produce un contacto accidental, lave con agua. Si el líquido se pone en contacto con los ojos, acuda además a un médico.** El líquido expulsado de la batería podrá provocar irritaciones o quemaduras.
 - e. **No use la batería ni la herramienta si están dañadas o han sido modificadas.** Las baterías dañadas o modificadas pueden tener reacciones imprevistas y causar incendios, explosión o riesgo de lesiones.
 - f. **No exponga la batería ni la herramienta al fuego o a temperaturas excesivas.** La exposición al fuego o a una temperatura superior a 130 °C puede causar una explosión. NOTA: La temperatura "130 °C" puede sustituirse por la temperatura "265 °F".
 - g. **Siga las instrucciones de carga y no cargue la batería ni la herramienta fuera del rango de temperatura especificada en las instrucciones.** La carga incorrecta o fuera del rango de temperatura especificado puede dañar la batería y aumentar el riesgo de incendio.
 6. **Reparaciones**
 - a. **Haga reparar esta herramienta eléctrica solo por personal técnico autorizado que emplee exclusivamente piezas de repuesto originales.**

Así se asegurará que se mantenga la seguridad de la herramienta eléctrica.

- b. **Nunca repare las baterías si están dañadas.** La reparación de la batería puede ser efectuada únicamente por el fabricante o por los proveedores de servicio autorizados (se utiliza solo para herramientas de batería).

Advertencias de seguridad generales para podadoras de cadena



¡Advertencia! Advertencias de seguridad adicionales para las podadoras de cadena

- ◆ **Mantenga todas las partes del cuerpo alejadas de la cadena mientras la podadora de cadena esté funcionando.** Antes de encender la podadora de cadena, asegúrese de que la cadena de la podadora no esté en contacto con ningún objeto. Un momento de distracción durante la utilización de la podadora de cadena puede hacer que su ropa o alguna parte de su cuerpo queden atrapados en la podadora de cadena.
- ◆ **Sujete siempre la podadora de cadena teniendo la mano derecha en la empuñadura trasera, y la mano izquierda en la delantera.** Nunca sujete la podadora de cadena poniendo las manos al contrario, pues aumenta el riesgo de que se produzcan lesiones personales.
- ◆ **Sujete la podadora de cadena únicamente por la superficie de agarre aislada ya que la cadena de la podadora puede entrar en contacto con cables ocultos.**
Si las cadenas de la podadora entran en contacto con un cable bajo tensión, las piezas metálicas expuestas de la herramienta eléctrica podrían cargarse y producir una descarga eléctrica al usuario.
- ◆ **Use siempre protección ocular. Se recomienda también el uso de equipos de protección para oídos, cabeza, manos, piernas y pies.** El uso de ropa de protección adecuada reduce las lesiones personales causadas por residuos volantes o el contacto accidental con la cadena de la podadora.
- ◆ **No utilice la podadora de cadena mientras se encuentre sobre un árbol, una escalera u otra superficie inestable.** Si usa la podadora de cadena de este modo pueden producirse lesiones personales graves.
- ◆ **Mantenga siempre un apoyo firme en el suelo y utilice la podadora de cadena solo cuando se encuentre sobre una superficie fija, segura y nivelada.** Las superficies resbaladizas o inestables como, por ejemplo, las escaleras, pueden provocar la pérdida de equilibrio o del control de la podadora de cadena.
- ◆ **Cuando corte una rama sometida a tensión, tenga cuidado con la fuerza de contragolpe.**

Cuando se libera la tensión de las fibras de madera, la rama cargada a modo de resorte podría golpear al operador y/o arrojar la podadora de cadena fuera de su alcance.

- ◆ **Tenga sumo cuidado cuando corte matorrales o árboles jóvenes.** El material más delgado puede engancharse en la cadena de la podadora y darle un latigazo o desequilibrarle.
- ◆ **Transporte la podadora de cadena sostenida por la empuñadura delantera, apagada y alejada del cuerpo. Para transportar o guardar la podadora de cadena, colóquela siempre la tapa de la barra guía.** Una manipulación adecuada de la podadora de cadena reduce las posibilidades de que se produzca un contacto accidental con la cadena móvil de la podadora.
- ◆ **Siga las instrucciones para lubricar, tensar la cadena y cambiar los accesorios.** Si la cadena está incorrectamente tensada o lubricada puede romperse o aumentar el riesgo de que se produzca un contragolpe.
- ◆ **Corte únicamente madera. No utilice la podadora de cadena para finalidades diferentes a las previstas. Por ejemplo, no utilice la podadora de cadena para cortar plástico, mampostería o materiales de construcción que no sean de madera.** El uso de la podadora de cadena para trabajos diferentes de aquellos para los que ha sido concebida puede resultar peligroso.
- ◆ **Esta podadora de cadena no ha sido diseñada para talar árboles.** El uso de la podadora de cadena para trabajos diferentes de aquellos para los que ha sido concebida puede causar daños al operador u otras personas.
- ◆ **Siga todas las instrucciones cuando retire el material atascado, guarde la podadora de cadena o efectúe el mantenimiento. Compruebe que el interruptor esté apagado y haber sacado la batería.** La activación inesperada de la podadora de cadena mientras se quita el material atascado o se realiza el mantenimiento puede provocar lesiones corporales graves.

Advertencias de seguridad adicionales para herramientas eléctricas



¡Advertencia! Advertencias de seguridad adicionales para podadoras de cadena compactas.

En este manual de instrucciones se describe el uso previsto. No utilice esta herramienta para fines no previstos; por ejemplo, no la utilice para talar árboles. El uso de accesorios o acoplamientos o la realización de cualquier operación con esta herramienta que sean distintos de los recomendados en este manual de instrucciones puede dar lugar a lesiones personales.

- ◆ Utilice prendas ajustadas y de protección incluido un casco de seguridad con visera o gafas de seguridad, protectores para los oídos, calzado de seguridad antideslizante, pantalones de peto protectores y guantes de piel resistentes.
- ◆ Colóquese siempre en una posición alejada de las ramas que caen.
- ◆ La distancia segura entre la rama que se vaya a talar y las personas, edificios y otros objetos debe ser como mínimo dos veces y media la longitud de la rama. Cualquier persona, edificio u objeto que se encuentre a una distancia menor corre el riesgo de resultar golpeado por la rama al caer.
- ◆ Planifique de antemano una vía de escape para evitar que le caigan encima las ramas. Compruebe que no haya obstáculos en la ruta de salida que puedan impedir o dificultar sus movimientos. Recuerde que la hierba mojada y las cortezas recién cortadas son resbaladizas.
- ◆ Asegúrese de que haya otra persona cerca (pero a una distancia segura), por si sucede un accidente.
- ◆ No utilice la herramienta mientras se encuentre subido en un árbol, en una escalera u otra superficie inestable.
- ◆ Mantenga un equilibrio adecuado y la estabilidad constantemente.
- ◆ Sujete la herramienta firmemente con las dos manos mientras el motor esté en marcha.
- ◆ No permita que la cadena en movimiento entre en contacto con ningún objeto en la punta de la barra guía.
- ◆ Empezar a cortar únicamente mientras la cadena gire a plena velocidad.
- ◆ No intente introducir la herramienta en un corte anterior. Realice siempre un nuevo corte.
- ◆ Esté atento a las ramas movilizadas y a otras fuerzas que pudieran cerrar un corte o caer sobre la cadena.
- ◆ No intente cortar una rama cuyo diámetro exceda la longitud de corte de la herramienta.
- ◆ Extraiga siempre la batería de la herramienta y coloque del conjunto de la tapa de la cadena cuando la almacene o la transporte.
- ◆ Mantenga la cadena de la podadora afilada y correctamente tensada. Compruebe la tensión de la cadena periódicamente.
- ◆ Apague la herramienta, deje que la cadena se detenga y retire la batería del aparato antes de llevar a cabo cualquier ajuste, reparación u operación de mantenimiento.
- ◆ Utilice únicamente piezas de repuesto y accesorios originales.
- ◆ **Mantenga las asas secas, limpias y libres de aceite y grasa.** Las asas con grasa o aceite son resbaladizas y pueden provocar la pérdida de control.
- ◆ **El amortiguador de púas puede afilarse durante la vida útil del producto. Manipúlelo con cuidado.**

- ◆ **Al manipular el producto, es posible que se caliente la barra de la cadena. Manipúlelo con cuidado.**

Causas y prevención de contragolpes al operador

Es posible que se produzca un contragolpe cuando la boca o la punta de la barra guía toca un objeto, o cuando la madera se cierra y pellizca la cadena de la podadora durante el corte. En algunos casos el contacto con la punta puede provocar una reacción invertida y repentina, levantando y bajando la barra guía hacia el usuario.

Es posible que, si se pellizca la cadena de la podadora a lo largo de la parte superior de la barra guía, esta retroceda rápidamente hacia el usuario.

Cualquiera de estas reacciones puede provocar la pérdida del control de la podadora de cadena y ocasionar lesiones personales graves. No confíe únicamente en los dispositivos de seguridad incorporados en la podadora de cadena. Como usuario de la podadora de cadena, debe tomar precauciones para evitar accidentes durante el uso de la herramienta. El retroceso se debe a la utilización inadecuada y/o procedimientos o condiciones de trabajo incorrectos y puede evitarse tomando las precauciones que se detallan a continuación.

- ◆ **Sujete firmemente el mango rodeándolo con los pulgares y los demás dedos. Con las dos manos en la podadora de cadena, coloque el cuerpo y el brazo de modo que pueda resistir los contragolpes.** Si se toman las precauciones adecuadas, el operador puede controlar los contragolpes. No desatienda la podadora de cadena.
- ◆ **No se extralimite y no realice cortes a una altura superior al hombro.** De este modo, evitará el contacto accidental con la punta y ayudará a controlar mejor la podadora de cadena en situaciones inesperadas.
- ◆ **Utilice únicamente barras guía y cadenas de repuesto especificadas por el fabricante.** Las barras guía y cadenas de repuesto colocadas de forma incorrecta pueden provocar la ruptura o retrocesos de la cadena.
- ◆ **Siga las instrucciones del fabricante acerca del afilado y mantenimiento de la cadena de la podadora.** La disminución de la altura del profundímetro puede ocasionar el aumento de los contragolpes.

Recomendaciones de seguridad

- ◆ Recomendamos encarecidamente que los usuarios principiantes obtengan de otro usuario con más experiencia instrucciones prácticas del uso de la podadora de cadena y del equipo de protección. La práctica inicial debe completarse con el aserrado de troncos sobre un soporte o un caballete de aserrar.
- ◆ Recomendamos que, antes de transportar la podadora de cadena, extraiga la batería y compruebe que la cadena de la podadora está orientada hacia atrás.

- ◆ Realice el mantenimiento de la podadora de cadena cuando no la utilice. Cuando guarde la podadora de cadena y no la vaya a utilizar durante un determinado tiempo, desmonte primero la cadena de la podadora y la barra guía, que deberá conservar sumergidas en aceite. Guarde todas las piezas de la podadora de cadena en un lugar seco y seguro, fuera del alcance de los niños.
- ◆ Le recomendamos purgar el depósito de aceite antes de guardar la herramienta.
- ◆ Asegúrese de tener los pies firmemente apoyados y prepare un plan de escape seguro de la caída de árboles o ramas.
- ◆ Use cuñas para ayudar a controlar la tala y evitar que la cadena y la barra guía queden bloqueadas en la madera.
- ◆ Cuidados de la cadena de la podadora. Mantenga la cadena de la podadora afilada y bien encajada en la barra guía. Asegúrese de que la cadena de la podadora y la barra guía estén limpias y bien lubricadas. Mantenga las empuñaduras secas, limpias y libres de aceite y grasa.

El retroceso puede ser debido a:

- ◆ Golpear accidentalmente ramas u otros objetos con la punta de la podadora mientras la cadena de la podadora está en movimiento.
- ◆ Golpear metales, cemento u otros materiales duros que estén cerca de la madera o enterrados en la misma.
- ◆ Cadena floja o suelta.
- ◆ Corte por encima de la altura del hombro.
- ◆ Falta de atención al sujetar o guiar la podadora de cadena mientras se está cortando.
- ◆ No se estire demasiado. Mantenga en todo momento un apoyo firme sobre el suelo y el equilibrio y no se estire demasiado.
- ◆ No inserte la podadora en un corte anterior. Podría provocar un retroceso. Realice un nuevo corte cada vez.
- ◆ Recomendamos encarecidamente no utilizar la podadora de cadena mientras se encuentre en un árbol, una escalera o cualquier otra superficie inestable. Si decidiera hacerlo, queda advertido de que estas posiciones son extremadamente peligrosas.
- ◆ Cuando corte una rama que esté en tensión, esté atento a la fuerza de retroceso para que no le golpee cuando se libere la tensión.

Evite cortar:

- ◆ Madera preparada.
- ◆ Dentro del suelo.
- ◆ En alambradas, clavos, etc.
- ◆ Matorrales de poco tamaño y árboles jóvenes ya que el material más ligero puede quedar atrapado en la cadena de la podadora y golpearle en forma de látigo o desequilibrarle.

- ◆ No use la podadora de cadena a una altura por encima del hombro.
- ◆ Asegúrese de que haya otra persona cerca (pero a una distancia segura), por si sucede un accidente.
- ◆ Si por alguna razón tiene que tocar la cadena de la podadora, asegúrese de que la podadora esté apagada y haber sacado la batería.
- ◆ El ruido de este producto puede superar 80 dB(A). Le recomendamos, por tanto, que tome las medidas adecuadas para protegerse los oídos

Riesgos residuales.

El uso de esta herramienta puede producir riesgos residuales adicionales no incluidos en las advertencias de seguridad adjuntas. Estos riesgos se pueden generar por un uso incorrecto, demasiado prolongado, etc.

El cumplimiento de las normas de seguridad correspondientes y el uso de dispositivos de seguridad no evitan ciertos riesgos residuales. Dichos riesgos incluyen:

- ◆ Lesiones producidas por el contacto con piezas móviles o giratorias.
- ◆ Lesiones producidas al cambiar cualquier pieza, hoja o accesorio.
- ◆ Lesiones producidas por el uso de una herramienta durante un tiempo demasiado prolongado. Si utiliza una herramienta durante períodos de tiempo demasiado prolongados, asegúrese de realizar pausas con frecuencia.
- ◆ Deterioro auditivo.
- ◆ Riesgos para la salud producidos al respirar el polvo que se genera al usar la herramienta (por ejemplo: en los trabajos con madera, especialmente de roble, haya y tableros de densidad mediana).

Vibración

Los valores de emisión de vibraciones y los valores de emisión de ruidos declarados y expuestos en el apartado de datos técnicos y en la declaración de conformidad han sido calculados según un método de prueba estándar proporcionado en la norma EN 62841 que puede utilizarse para comparar herramientas entre sí. El valor de emisión de vibraciones y los valores de emisión de ruidos declarados también pueden utilizarse para una evaluación preliminar de la exposición.

¡Advertencia! El valor de emisión de vibraciones y ruido durante el funcionamiento real de la herramienta eléctrica puede diferir del valor declarado en función de cómo se utilice la herramienta. El nivel de las vibraciones puede aumentar por encima del nivel declarado.

Al evaluar la exposición a las vibraciones con el fin de determinar las medidas de seguridad que exige la directiva 2002/44/CE para proteger a las personas que utilizan periódicamente herramientas eléctricas en el entorno laboral,

deberá tenerse en cuenta una estimación de la exposición a las vibraciones, las condiciones de uso reales y el modo de empleo de la herramienta, así como los pasos del ciclo operativo como, por ejemplo, el número de veces que la herramienta se apaga, el tiempo que está parada y el tiempo de activación.

Etiquetas en la herramienta

Junto con el código de la fecha, en la herramienta aparecen los siguientes pictogramas:



¡Advertencia! Para reducir el riesgo de lesiones, el usuario debe leer el manual de instrucciones.



No use la podadora en lugares húmedos ni la esponja a la lluvia.



Utilice siempre protección para la cabeza, los oídos y los ojos.



Póngase siempre guantes.



Utilice siempre calzado de seguridad antideslizante.



Sostenga siempre bien la podadora de cadena con ambas manos.



Preste atención al contragolpe de la podadora de cadena y evite el contacto con la punta de la barra de la cadena.



No utilice podadora de cadena con una sola mano.



Tenga cuidado con los objetos que caigan. Mantenga alejadas a otras personas



A fin de garantizar un funcionamiento seguro continuo, compruebe la tensión de la cadena siguiendo el procedimiento que se describe en este manual cada 10 minutos de uso y ajústela según sea necesario para que disponga de un huelgo de 3 mm. Lubrique la cadena después de cada 10 minutos de uso.



¡Advertencia! No toque la cadena en el punto de eyección de las astillas



Dirección de rotación de la cadena.



Para garantizar un funcionamiento seguro continuo, la cadena y la barra guía deberán ser sustituidas solo con las piezas originales de BLACK+DECKER. Número de cadena de repuesto A6158; número de barra guía de repuesto 90619609.



Apague la herramienta. Antes de realizar alguna operación de mantenimiento en la herramienta, extraiga la batería.



Potencia sonora garantizada por la Directiva 2000/14/CE.

Instrucciones de seguridad adicionales para baterías y cargadores

Baterías

- ◆ Jamás trate de abrirla por ninguna razón.
- ◆ No exponga las baterías al agua.
- ◆ No exponga la batería al calor.
- ◆ No las almacene en lugares en los que la temperatura pueda superar los 40 °C.
- ◆ Realice la carga únicamente a una temperatura ambiente de entre 10 °C y 40 °C.
- ◆ Utilice únicamente el cargador suministrado con el aparato o la herramienta para realizar la carga. La utilización de un cargador incorrecto puede producir una descarga eléctrica o el recalentamiento de la batería.
- ◆ Cuando vaya a desechar la batería, siga las instrucciones facilitadas en la sección "Protección del medioambiente".
- ◆ No dañe ni deforme la batería mediante perforaciones o golpes, ya que ello puede suponer un riesgo de incendio y de lesiones.
- ◆ No cargue baterías dañadas.

Es posible que se produzcan fugas en las baterías en condiciones extremas. Cuando observe que se producen fugas en las baterías, limpie cuidadosamente el líquido con un paño. Evite el contacto con la piel.

En caso de que se produzca contacto con la piel o los ojos, siga las instrucciones que se indican a continuación.

¡Advertencia! El líquido de la batería puede provocar lesiones o daños materiales. En caso de contacto con la piel, lave la zona afectada con agua inmediatamente. Si se produce enrojecimiento, dolor o irritación, solicite atención médica. En caso de contacto con los ojos, lave la zona inmediatamente con agua limpia y solicite atención médica.

Cargadores

¡Advertencia! El cargador ha sido diseñado para un voltaje específico. Compruebe siempre que el voltaje de la red eléctrica corresponda al valor indicado en la placa de características.

¡Advertencia! No intente sustituir el cargador con un enchufe convencional para la red eléctrica.

- ◆ Utilice únicamente el cargador BLACK+DECKER suministrado para cargar la batería del aparato o la herramienta. Otras baterías podrían explotar y provocar lesiones y daños materiales.
- ◆ Nunca intente cargar baterías no recargables.
- ◆ Si se daña el cable de alimentación, deberá ser sustituido por el fabricante o un centro de servicios autorizado de BLACK+DECKER, para evitar riesgos.
- ◆ No exponga el cargador al agua.
- ◆ No abra el cargador.
- ◆ No aplique ningún dispositivo para medir la resistencia del cargador.
- ◆ El cargador debe colocarse en una zona bien ventilada durante la carga.

Etiquetas del cargador

En el cargador constan los siguientes símbolos:



El cargador ha sido concebido para utilizarse únicamente en un lugar interior.



Lea el manual de instrucciones antes de usar el producto.

Seguridad eléctrica



El cargador presenta un aislamiento doble; por lo tanto, no requiere conexión a tierra. Compruebe siempre que el voltaje de la red eléctrica corresponda al valor indicado en la placa de características. No intente sustituir el cargador con un enchufe convencional para la red eléctrica.

- ◆ Si se dañara el cable de alimentación, deberá ser sustituido por el fabricante o por un centro de asistencia técnica autorizado de BLACK+DECKER para evitar cualquier situación de riesgo.

Características

1. Interruptor de encendido/apagado
2. Botón de bloqueo
3. Tapón del depósito de aceite
4. Depósito de aceite
5. Conjunto del protector delantero
6. Conjunto de la tapa de la cadena
7. Tornillo de ajuste de la tensión de la cadena

8. Cadena
9. Barra guía
10. Batería
11. Funda de la cadena
12. Cargador

Montaje

¡Advertencia! Antes de proceder al montaje, extraiga la batería (10) de la herramienta.

Inserción y extracción de la batería (Fig. A)

- ◆ Para insertar la batería (10), alinéela con el receptáculo de la herramienta. Deslice la batería (10) dentro del receptáculo y empujela hasta que encaje en su sitio.
- ◆ Para extraer la batería (10), pulse el botón de liberación (24) a la vez que tira de la batería (10) para extraerla del receptáculo.

¡Advertencia! A fin de evitar que se ponga en funcionamiento accidentalmente, asegúrese de que la batería no esté instalada y que la funda de la cadena (11) esté colocada en la cadena de la podadora (8) antes de llevar a cabo cualquiera de las operaciones siguientes. No hacerlo podría provocar graves lesiones personales.

Carga de la batería (Fig. B)

Es necesario cargar la batería antes del primer uso y cada vez que note que no dispone de suficiente potencia para las tareas que antes realizaba con facilidad.

Es posible que la batería se caliente durante la carga; esto es normal y no denota ningún problema.

¡Advertencia! No cargue la batería si la temperatura ambiente es inferior a 10 °C o superior a 40 °C. La temperatura de carga recomendada es de aproximadamente 24 °C.

Nota: El cargador no cargará la batería si la temperatura de la célula es inferior a 10 °C o superior a 40 °C aproximadamente. Deje la batería en el cargador y éste comenzará la carga automáticamente cuando la temperatura de la célula aumente o disminuya.

- ◆ Para cargar la batería (10), insértela en el cargador (12). La batería puede insertarse en el cargador de un solo modo. No la fuerce. Asegúrese de que la batería queda perfectamente encajada en el cargador.
- ◆ Enchufe el cargador y conéctelo a la red eléctrica.

El indicador de carga (23) parpadeará.

La carga habrá finalizado cuando el indicador de carga (23) pase a estar iluminado de manera continua. El cargador y la batería se pueden dejar conectados indefinidamente. Cuando, ocasionalmente, el cargador cargue la batería al máximo, se encenderá el indicador LED.

- ◆ Cargue las baterías descargadas en el plazo de 1 semana.

La duración de las baterías disminuye considerablemente si se guardan descargada.

Dejar la batería en el cargador

El cargador y la batería pueden permanecer conectados durante un periodo de tiempo indefinido con el indicador de LED iluminado. El cargador mantiene la batería a baja temperatura y completamente cargada.

Instalación y extracción de la cadena de la podadora (Figs. C–E, G)



Utilice siempre guantes de protección cuando instale o retire la cadena de la podadora (8). Dicha pieza está afilada y puede provocar cortes cuando la herramienta no está en funcionamiento.

- ◆ Coloque la herramienta sobre una superficie sólida y estable.
- ◆ Afloje los dos tornillos Allen (14) con la llave Allen (21) suministrada. Extraiga los tornillos Allen (14).
- ◆ Quite el conjunto de la tapa de la cadena (6).
- ◆ Gire el tornillo de ajuste de tensión de la cadena (7) en sentido antihorario para permitir el retroceso de la barra guía (9) y para reducir la tensión de la cadena de la podadora (8).
- ◆ Extraiga la cadena de la podadora (8) usada de la rueda dentada (15) y la barra guía (9).
- ◆ Coloque la cadena nueva (8) en la ranura de la barra guía (9) y alrededor de la rueda dentada (15). Asegúrese de que los dientes estén orientados en la dirección correcta haciendo coincidir la flecha de la cadena de la podadora (8) con la flecha del conjunto de la tapa de la cadena (6).
- ◆ Asegúrese de que la ranura (17) de la barra guía (9) esté situada sobre los pasadores de posición (18) y que el orificio (20) ubicado debajo de la ranura quede colocado sobre el pasador de ajuste (19).
- ◆ Coloque el conjunto de la tapa de la cadena (6) y los 2 tornillos Allen (14).
- ◆ Afloje los tornillos Allen (14) con la llave Allen (21) suministrada.
- ◆ Ajuste la tensión de la cadena tal como se describe a continuación.

Comprobación y ajuste de la tensión de la cadena (Fig. C–F)

- ◆ Compruebe la tensión de la cadena de la podadora. La tensión es correcta cuando la cadena de la podadora (8) vuelve a su posición inicial después de separarla 3 mm de la barra guía (9) al ejercer una ligera presión con los dedos medio y pulgar. No debe haber "comba" alguna entre la barra guía (9) y la cadena de la podadora (8) en la parte inferior.

Para ajustar la tensión:

- ◆ Afloje los tornillos 2 Allen (14).
- ◆ Gire el tornillo de ajuste de la tensión de la cadena (7) en el sentido de las agujas del reloj.

¡Advertencia! No tense demasiado la cadena, ya que provocará un desgaste excesivo y se reducirá la vida útil de la barra y de la cadena.

- ◆ Una vez que la tensión de la cadena sea la correcta, apriete los 2 tornillos Allen (14).

¡Advertencia! Cuando utilice una cadena de podadora nueva, compruebe la tensión con frecuencia durante las primeras dos horas de uso, ya que una cadena de podadora nueva se expande ligeramente.

Llenado del depósito de aceite (Fig. G)

- ◆ Retire el tapón del aceite (3) y llene el depósito (4) con el aceite para cadenas recomendado. Puede ver el nivel de aceite en el depósito de aceite (4). Vuelva a poner el tapón del aceite (3).
- ◆ Periódicamente, apague la herramienta y compruebe el nivel de aceite; si está por debajo de un cuarto del total, extraiga la batería (10) de la herramienta y rellene el depósito (4) con el aceite correcto.

Lubricación de la cadena (Fig. G)

Es necesario lubricar la cadena de la podadora (8) antes de cada uso y después de limpiarla, utilizando únicamente un aceite del grado correcto (número de catálogo A6027).

- ◆ Lubrique la cadena de podadora (8) presionando la bombilla que tiene el tapón de aceite (3) dos veces antes de cada corte, manteniendo la bombilla presionada durante 3-4 segundos.

Uso

Encendido y apagado (Fig. G)

¡Advertencia! Deje que la herramienta funcione a su ritmo. No la recargue.

Por razones de seguridad, esta herramienta está equipada con un sistema de dos interruptores. Este sistema impide que la herramienta se ponga en marcha accidentalmente.

Encendido

- ◆ Pulse el botón de desbloqueo (2) y, al mismo tiempo, pulse el botón de encendido/apagado (1).
- ◆ Pulse el botón de liberación (2).

Apagado

- ◆ Suelte el conmutador de encendido/apagado (1).

¡Advertencia! Nunca intente trabar un interruptor en la posición de encendido.

Poda de árboles (Fig. H)

Asegúrese de que no existen ordenanzas ni normas municipales que prohíban o controlen la poda de las ramas de los árboles.

La poda deben realizarla usuarios experimentados puesto que existe un elevado riesgo de que la cadena de la podadora (8) produzca un pellizco o un contragolpe.

Antes de podar deben considerarse las condiciones que afectan la dirección de caída incluyendo:

- ◆ La longitud y el peso de la rama que va a cortar.
- ◆ Cualquier putrefacción o estructura de rama pesada y poco común.
- ◆ Árboles circundantes y obstáculos como líneas de teléfono o de tendido eléctrico.
- ◆ La velocidad y dirección del viento.
- ◆ Las ramas que se entrelazan.

El usuario debe considerar el acceso a la rama del árbol y la dirección de caída. Es probable que las ramas oscilen hacia el tronco. Además del usuario, los transeúntes, objetos y propiedades que se encuentren bajo la rama están en peligro. Para evitar el astillamiento, el primer corte debe realizarse hacia arriba con la máxima profundidad de un tercio del diámetro de la rama. El segundo corte se realizará hacia abajo para que coincida con el primero.

Cortes ligeros (Fig. I)

El modo en que deberá cortar, dependerá de la forma en que esté sujeto el tronco. Use un caballete de aserrar siempre que sea posible. Siempre comience el corte con la cadena de la podadora (8) en funcionamiento y el amortiguador de púas en contacto con la madera. Para completar el corte, use la acción pivotante del amortiguador de púas contra la madera.

Cuando se apoya en toda su longitud:

- ◆ Haga un corte hacia abajo, evitando cortar la tierra para no deteriorar rápidamente la cadena.
Cuando se apoya en ambos extremos:
- ◆ Primero corte un tercio hacia abajo para evitar que se astille y seguidamente corte de nuevo siguiendo el primer corte,
Cuando se apoya en un extremo:
- ◆ Primero, corte un tercio hacia arriba para evitar que se astille y seguidamente corte hacia abajo para evitar el mismo problema.

Cuando se está en pendiente:

- ◆ Colóquese siempre cuesta arriba. Cuando se usa caballete de aserrar (Fig. I):
Siempre que sea posible, se recomienda encarecidamente su utilización.
- ◆ Coloque el tronco en una posición estable. Corte siempre sobre el exterior de los brazos del caballete de aserrar. Utilice pinzas o correas para sujetar con firmeza la pieza de trabajo.

Limpieza, mantenimiento y almacenamiento

Su herramienta BLACK+DECKER ha sido diseñada para funcionar durante un largo período de tiempo con un mantenimiento mínimo.

El funcionamiento satisfactorio y continuo depende del buen cuidado de la herramienta y de una limpieza frecuente.

El cargador no requiere ningún mantenimiento especial excepto la limpieza periódica.

¡Advertencia! Antes de realizar alguna operación de mantenimiento en la herramienta, extraiga la batería. Desenchufe el cargador antes de limpiarlo.

Después de su utilización y antes del almacenamiento

Limpie periódicamente las ranuras de ventilación con un cepillo de pintar limpio y seco.

Para limpiar la herramienta, utilice únicamente jabón suave y un paño húmedo. Evite que penetre líquido en el interior de la herramienta y nunca sumerja ninguna parte de esta en líquido.

- ◆ Extraiga los restos de suciedad usando un cepillo duro.
- ◆ Lubrique la cadena (8) con aceite.

Afilado de la cadena de la podadora

Si desea conseguir el máximo rendimiento de la herramienta, es importante que mantenga los dientes de la podadora de cadena afilados.

Las instrucciones de este procedimiento se encuentran en el paquete del afilador. A tal fin, recomendamos comprar el kit de afilado de cadenas de podadoras de BLACK+DECKER, disponible en los agentes de servicio BLACK+DECKER (cat. N.º A6039).

Sustitución de cadenas y barras de guía de podadoras desgastadas o dañadas

Las cadenas de podadora de repuesto están disponibles a través de minoristas y agentes de servicio de BLACK+DECKER (pza. n.º A6158), y las barras guía de repuesto están disponibles solo a través de agentes de servicio de BLACK+DECKER (pza. n.º 90517720).

Para evitar el riesgo de lesiones, use solo las cadenas y las barras guía originales BLACK+DECKER. Utilice siempre piezas de repuesto originales.

Afilado de la cadena de la podadora

Los dientes se arruinan inmediatamente si tocan el suelo o golpean un clavo mientras se está cortando.

Tensión de la cadena de la podadora

Compruebe periódicamente la tensión de la cadena.

Qué hacer si la podadora de cadena necesita reparación.

La herramienta cumple con los requisitos de seguridad pertinentes.

Solo el personal cualificado puede llevar a cabo las reparaciones, utilizando piezas de repuesto originales; en caso contrario, podría ocasionarse un considerable peligro al usuario. Le recomendamos guardar este manual de usuario en un lugar seguro.

Almacenamiento

Si la herramienta no se va a utilizar durante varios meses, lo ideal es dejar la batería (10) conectada al cargador.

En caso contrario, realice el procedimiento siguiente:

- ◆ Extraiga la batería (10) de la herramienta.
- ◆ Cargue completamente la batería (10).
- ◆ Guarde la herramienta y la batería (10) en un lugar seguro y seco. La temperatura de almacenamiento siempre debe estar comprendida entre +10 °C y +40 °C. Coloque la batería (10) en una superficie nivelada.
- ◆ Antes de utilizar la herramienta después de un período de almacenamiento prolongado, vuelva a cargar completamente la batería (10).

Protección del medioambiente



Recogida selectiva. Los productos y las baterías marcadas con este símbolo no se deben eliminar con los residuos domésticos normales.

Los productos y las baterías que contienen materiales que se puedan recuperar o reciclar reducen la demanda de materias primas.

Recicle los productos eléctricos y las baterías de conformidad con las normas locales. Puede obtener más información en www.2helpU.com

Datos técnicos

GKC1820L 20 Tipo 3		
Tensión	V _{CC}	18
Velocidad de la cadena (sin carga)	m/min	190
Peso	kg	1,55
Batería BL2018		
Tensión	V _{CC}	18
Capacidad	Ah	2,0
Tipo	iones de litio	
Cargador 905902**TIPO 1		
Voltaje de entrada	V _{CA}	100–240
Voltaje de salida	V _{CC}	8–20
Corriente de salida	mA	400

Nivel de presión acústica garantizada calculada según la directiva EN62841:

LpA (nivel de presión acústica de emisión) 78 dB(A), incertidumbre (K) 3 dB(A)
LwA (nivel de potencia acústica medido) 94 dB(A), incertidumbre (K) 1,9 dB (A)

Valores totales de vibración (suma vectorial triaxial) de acuerdo con la norma EN 62841:

Valor de emisión de vibraciones (a_{hv}) = 5,5 m/s², incertidumbre (K) = 1,5 m/s²

Declaración de conformidad CE

DIRECTIVA DE MÁQUINAS



Podadora de cadena compacta – GKC1820L 20
Black & Decker declara que los productos descritos en "Datos técnicos" cumplen las siguientes normas: 2006/42/CE, EN 62841-1:2015+A11:2022, EN 62841-4-1:2020
LWA (nivel de potencia acústica medido) 94 dB(A), incertidumbre (K) = 1,9 dB (A),
LWA (potencia acústica garantizada) 96 dB(A)
Estos productos también cumplen con la Directiva 2014/30/UE y 2011/65/UE.

Para más información, póngase en contacto con Black & Decker en la siguiente dirección o consulte la parte posterior del manual.

El abajo firmante es el responsable de la compilación del archivo técnico y realiza esta declaración en representación de Black & Decker.

Patrick Diepenbach

Patrick Diepenbach
Director General, Benelux
Black & Decker,
Egide Walschaertsstraat 14-18
2800 Mechelen, Bélgica
08/09/2022

Garantía

Black & Decker confía en la calidad de sus productos y ofrece a los consumidores una garantía de 24 meses a partir de la fecha de compra.

Esta garantía es adicional a sus derechos legales y no los menoscaba en modo alguno.

La garantía es válida en los territorios de los Estados Miembros de la Unión Europea, el Área de Libre Comercio Europea y Reino Unido.

Para reclamar la garantía, deberá formular la reclamación de conformidad con las condiciones de Black & Decker, presentando el comprobante de compra al vendedor o al agente técnico autorizado.

Puede obtener las condiciones de la garantía de 2 años de Black & Decker y la ubicación de su agente técnico autorizado más próximo en el sitio web www.2helpU.com o poniéndose en contacto con su oficina local de Black & Decker en la dirección que se indica en este manual.

Visite nuestro sitio web www.blackanddecker.co.uk para registrar su nuevo producto BLACK+DECKER y recibir noticias sobre nuevos productos y ofertas especiales.

Utilização pretendida

A motosserra compacta GKC1820L 20 da BLACK+DECKER™, foi concebida para tarefas ligeiras de corte e poda. Esta ferramenta destina-se apenas a utilização doméstica.

Instruções de segurança

Avisos de segurança gerais sobre ferramentas eléctricas



Atenção! Leia todos os avisos de segurança, instruções, ilustrações e especificações fornecidos com esta ferramenta eléctrica.

O não cumprimento de todas as instruções indicadas abaixo pode resultar em choque eléctrico, incêndio e/ou ferimentos graves.

Guarde todos os avisos e instruções para futura referência. O termo "ferramenta eléctrica" utilizado a seguir refere-se a ferramentas eléctricas com ligação à corrente eléctrica (com fio) ou com bateria (sem fio).

1. Segurança na área de trabalho

- a. **Mantenha a área de trabalho limpa e bem iluminada.** As áreas desorganizadas ou escuras são propensas a acidentes.
- b. **Não trabalhe com ferramentas eléctricas em áreas com risco de explosão, nas quais se encontrem líquidos, gases ou poeiras inflamáveis.** As ferramentas eléctricas criam faíscas que podem inflamar estas poeiras ou vapores.
- c. **Mantenha as crianças e outras pessoas afastadas durante a utilização da ferramenta eléctrica.** As distrações podem levar à perda de controlo da ferramenta.

2. Segurança eléctrica

- a. **As fichas da ferramenta eléctrica devem encaixar na tomada. Nunca modifique a ficha de forma alguma. Não utilize fichas adaptadoras com ferramentas eléctricas ligadas à terra.** As fichas não modificadas e as tomadas compatíveis reduzem o risco de choque eléctrico.
- b. **Evite que o corpo entre em contacto com superfícies ligadas à terra, como tubos, radiadores, fogões e frigoríficos.** Se o seu corpo estiver "ligado" à terra, o risco de choque eléctrico é maior.
- c. **As ferramentas eléctricas não podem ser expostas a chuva ou a humidade.** A entrada de água numa ferramenta eléctrica aumenta o risco de choque eléctrico.
- d. **Manuseie o cabo com cuidado. Nunca o utilize para transportar, puxar ou desligar a ferramenta eléctrica.**

Mantenha o cabo afastado de fontes de calor, substâncias oleosas, arestas afiadas ou peças móveis. Os cabos danificados ou emaranhados aumentam o risco de choque eléctrico.

- e. **Quando trabalhar com uma ferramenta eléctrica ao ar livre, utilize uma extensão adequada para esse fim.** A utilização de um cabo adequado para uso ao ar livre reduz o risco de choque eléctrico.
 - f. **Se for inevitável trabalhar com uma ferramenta eléctrica num local húmido, utilize um dispositivo diferencial residual (DDR).** A utilização de um DCR reduz o risco de choque eléctrico.
- #### 3. Segurança pessoal
- a. **Esteja atento, preste atenção ao que está a fazer e seja prudente quando trabalhar com uma ferramenta eléctrica. Não utilize uma ferramenta eléctrica se estiver cansado ou sob o efeito de drogas, álcool ou medicamentos.** Um momento de distração durante a utilização de ferramentas eléctricas pode resultar em ferimentos graves.
 - b. **Utilize equipamento de protecção individual. Use sempre protecção ocular.** O equipamento de protecção, como, por exemplo, uma máscara de poeiras, sapatos de segurança antiderrapantes, um capacete de segurança ou uma protecção auditiva, utilizado nas condições adequadas, reduz o risco de ferimentos.
 - c. **Evite arranques involuntários. Assegure-se de que o gatilho está desligado antes de ligar a ferramenta à corrente eléctrica e/ou as baterias e antes de levantar ou transportar a ferramenta.** Se mantiver o dedo carregado no gatilho quando transportar ferramentas eléctricas ou se ligá-las à fonte de alimentação com o gatilho ligado, isso pode dar origem a acidentes.
 - d. **Retire eventuais chaves de ajuste ou chaves de fendas antes de ligar a ferramenta eléctrica.** Uma chave de fendas ou de ajuste montada numa peça rotativa da ferramenta eléctrica pode causar ferimentos.
 - e. **Não tente chegar a pontos fora do alcance. Mantenha sempre os pés bem apoiados e um equilíbrio adequado.** Desta forma, é mais fácil controlar a ferramenta eléctrica em situações inesperadas.
 - f. **Use vestuário adequado. Não use roupa larga ou jóias. Mantenha o cabelo, a roupa e as luvas afastados das peças móveis.** As roupas largas, as jóias ou o cabelo comprido podem ficar presos nestas peças.
 - g. **Se for prevista a montagem de dispositivos de extracção e recolha de poeiras, assegure-se de que estão ligados e que são utilizados de forma correcta.** A utilização de dispositivos de recolha de pó pode reduzir os riscos inerentes.

- h. Não permita que o facto de estar familiarizado com a utilização frequente das ferramentas o torne complacente e ignore os princípios de segurança da ferramenta.** Uma acção irreflectida pode causar ferimentos graves numa fracção de segundos.
- 4. Utilização e manutenção da ferramenta eléctrica**
- a. Não sobrecarregue a ferramenta eléctrica. Utilize a ferramenta eléctrica correcta para o seu trabalho.** A ferramenta eléctrica adequada efectua o trabalho de maneira mais eficiente e segura se for utilizada de acordo com a capacidade para a qual foi concebida.
- b. Não utilize a ferramenta eléctrica se não conseguir ligar ou desligar o gatilho.** Qualquer ferramenta eléctrica que não possa ser controlada através do gatilho é perigosa e tem de ser reparada.
- c. Desligue a ficha da tomada e/ou a bateria da ferramenta eléctrica antes de proceder a ajustes, substituir acessórios ou guardar ferramentas eléctricas.** Estas medidas de segurança preventivas reduzem o risco de ligar a ferramenta eléctrica acidentalmente.
- d. Mantenha as ferramentas eléctricas que não estiverem a ser utilizadas fora do alcance das crianças. Não permita que a ferramenta eléctrica seja utilizada por pessoas não familiarizadas com a mesma ou que não tenham lido estas instruções.** As ferramentas eléctricas são perigosas nas mãos de pessoas que não possuam as qualificações necessárias para manuseá-las.
- e. Proceda à manutenção das ferramentas eléctricas. Verifique se as partes móveis estão desalinhasadas ou bloqueadas, se existem peças partidas ou qualquer outra situação que possa afectar o funcionamento das ferramentas eléctricas. Se a ferramenta eléctrica estiver danificada, esta não deve ser utilizada até que seja reparada.** Muitos acidentes têm como principal causa ferramentas eléctricas com uma manutenção insuficiente.
- f. Mantenha as ferramentas de corte afiadas e limpas.** As ferramentas de corte sujeitas a uma manutenção adequada, com arestas de corte afiadas, bloqueiam com menos frequência e controlam-se com maior facilidade.
- g. Utilize a ferramenta eléctrica, os acessórios e as peças de ferramenta, etc., de acordo com estas instruções, considerando as condições de trabalho e a tarefa a ser executada.** A utilização da ferramenta eléctrica para fins diferentes dos previstos pode resultar em situações perigosas.
- h. Mantenha os punhos e as superfícies de fixação secos, limpos e sem qualquer óleo ou gordura. Se o punho estiver escorregadio e as superfícies de fixação tiverem gordura, isso não permite um manuseamento e controlo seguros da ferramenta em situações inesperadas.**
- 5. Utilização e cuidados a ter com a ferramenta com baterias**
- a. Carregue apenas com o carregador especificado pelo fabricante.** Um carregador adequado para um tipo de bateria pode causar um incêndio se for utilizado com outra bateria.
- b. Utilize ferramentas eléctricas apenas com baterias específicas.** A utilização de outras baterias pode dar origem danos e incêndio.
- c. Quando não utilizar a bateria, mantenha-a afastada de outros objectos metálicos, tais como cliques para papel, moedas, chaves, pregos, parafusos ou outros pequenos objectos metálicos que permitam fazer a ligação de um terminal para outro.** O curto-circuito de terminais da bateria pode causar queimaduras ou incêndio.
- d. Em condições abusivas, pode derramar o líquido das baterias, devendo evitar o contacto. Se tocar acidentalmente no líquido, lave bem com água. Se o líquido entrar em contacto com os olhos, consulte um médico.** O líquido derramado da bateria pode causar irritação ou queimaduras.
- e. Não utilize uma bateria ou uma ferramenta que esteja danificada ou modificada.** As baterias danificadas ou modificadas podem ter um comportamento imprevisível, podendo causar incêndio, explosão ou risco de ferimentos.
- f. Não exponha a bateria ou ferramenta ao fogo ou excesso de temperatura.** A exposição a fogo ou temperatura superior a 130 °C pode causar uma explosão. **NOTA:** A temperatura "130 °C" pode ser substituída pela temperatura "265 °F".
- g. Siga todas as instruções de carregamento e não carregue a bateria ou a ferramenta fora da gama de temperaturas especificadas nas instruções.** Se o carregamento não for efectuado correctamente ou se as temperaturas não estiverem de acordo com o limite especificado, a bateria pode ficar danificada e há um maior risco de incêndio.
- 6. Assistência**
- a. A ferramenta eléctrica deve ser reparada por pessoal qualificado e só devem ser colocadas peças sobresselentes idênticas.** Desta forma, é garantida a segurança da ferramenta eléctrica.
- b. Nunca repare baterias danificadas.**

A reparação das baterias só deve ser efectuada pelo fabricante ou por fornecedor de serviços autorizado (apenas para ferramentas com bateria).

Avisos de segurança gerais relativos a motosserras



Atenção! Avisos de segurança adicionais para motosserras

- ◆ **Mantenha todas as partes do corpo afastadas da corrente da serra quando a motosserra estiver em funcionamento. Antes de ligar a motosserra, certifique-se de que a corrente da serra não está em contacto com nada.** Um momento de distração durante a utilização de uma motosserra pode fazer com que o seu vestuário ou corpo fiquem presos na ferramenta.
- ◆ **Segure sempre a motosserra com a mão direita no punho traseiro e a mão esquerda no punho dianteiro.** Segurar a motosserra com uma disposição invertida das mãos aumenta o risco de ferimentos e tal nunca deve ser efectuado.
- ◆ **Segure na motosserra apenas pelas áreas isoladas, porque a corrente da serra pode entrar em contacto com a cablagem escondida.** As correntes da serra em contacto com um cabo sob tensão podem fazer com que as peças metálicas expostas da motosserra fiquem sob tensão e provoquem um choque eléctrico no operador.
- ◆ **Use protecção ocular. É recomendável utilizar equipamento de protecção adicional para orelhas, cabeça, mãos, pernas e pés.** Um equipamento de protecção adequado reduz os ferimentos causados por resíduos em movimento ou pelo contacto acidental com a corrente da serra.
- ◆ **Não utilize a motosserra quando estiver em cima de uma árvore, numa escada, em cima de um telhado ou em qualquer outra superfície instável.** A utilização de uma motosserra pode causar ferimentos graves.
- ◆ **Mantenha-se sempre bem posicionado e utilize a motosserra apenas quando se encontrar numa superfície fixa, segura e nivelada.** As superfícies escorregadias ou instáveis, como, por exemplo, escadas, podem causar perda de equilíbrio ou de controlo da motosserra.
- ◆ **Quando estiver a cortar uma pernada sob tensão, esteja atento à recuperação elástica.** Quando a tensão das fibras de madeira for libertada, a pernada sob tensão pode atingir o operador e/ou provocar o descontrolo da motosserra.
- ◆ **Tenha especial cuidado quando cortar galhos e casca de árvore.** O material fino e delgado pode tocar na corrente da serra e saltar na sua direcção ou fazer com que se desequilibre.

- ◆ **Transporte a motosserra pelo punho dianteiro com a motosserra desligada e afastada do seu corpo. Quando transportar ou armazenar a motosserra, coloque sempre a tampa da barra-guia.** Um manuseamento adequado da motosserra reduzirá a probabilidade de contacto acidental com a corrente da serra em movimento.
- ◆ **Siga as instruções relativas à lubrificação, tensão da corrente e troca de acessórios.** Uma corrente tensionada ou lubrificada incorrectamente pode partir ou aumentar a probabilidade de recuo.
- ◆ **Corte apenas madeira. Não utilize a motosserra para fins diferentes dos previstos. Por exemplo: não utilize a motosserra para cortar plástico, pedra ou materiais de construção que não sejam madeira.** A utilização da motosserra para outros fins que não os previstos pode resultar em situações perigosas.
- ◆ **Esta motosserra não é adequada para o corte de árvores. A utilização da motosserra para finalidades diferentes que não sejam as previstas pode causar ferimentos graves no operador ou em pessoas que estejam por perto.**
- ◆ **Siga todas as instruções quando retirar material encravado, armazenar ou assistência da motosserra. Certifique-se de que desliga o interruptor e retira a bateria. A utilização inesperada da motosserra quando retirar material encravado ou proceder à assistência pode resultar em ferimentos graves.**

Avisos de segurança adicionais para ferramentas eléctricas



Atenção! Avisos de segurança adicionais para motosserras compactas.

A utilização adequada é descrita neste manual de instruções. Não utilize a ferramenta para outros fins que não os indicados. Por exemplo, não utilize a ferramenta para cortar árvores. A utilização de qualquer acessório ou o desempenho de qualquer operação com esta ferramenta, que não seja a recomendada neste manual de instruções, pode causar ferimentos.

- ◆ Utilize vestuário de protecção justo, incluindo capacete de segurança com viseira/óculos, protecção auditiva, calçado de segurança anti-derrapante, jardineira de protecção e luvas de couro resistente.
- ◆ Desvie-se sempre da trajectória de queda dos ramos.
- ◆ A distância de segurança entre um ramo a cortar e as pessoas presentes, edifícios e outros objectos deve ser, no mínimo, de 2 1/2 vezes o comprimento do ramo. Todas as pessoas presentes, edifícios ou objectos que se encontrem dentro desta distância correm o risco de serem atingidos pela queda do ramo.

- ◆ Planeie antecipadamente uma saída de segurança para escapar a árvores ou ramos em queda. Certifique-se de que o caminho de saída não tem quaisquer obstáculos que possam impedir ou dificultar o movimento. Lembre-se que a relva molhada e a casca da árvore cortadas recentemente podem ser escorregadias.
- ◆ Certifique-se de que, em caso de acidente, existe alguém por perto (mas a uma distância de segurança).
- ◆ Não utilize a ferramenta enquanto estiver em cima de uma árvore, escada ou de qualquer outra superfície instável.
- ◆ Mantenha sempre os pés bem apoiados e um equilíbrio adequado.
- ◆ Pegue na ferramenta com firmeza e com ambas as mãos quando o motor estiver ligado.
- ◆ Não deixe a corrente em movimento entrar em contacto com nenhum outro objecto na ponta da barra-guia.
- ◆ Comece o corte apenas quando tiver a corrente a deslocar-se na velocidade máxima.
- ◆ Não tente introduzir a serra num corte anterior. Faça sempre um novo corte.
- ◆ Preste atenção ao movimento dos ramos ou de outras forças que possam fechar um corte e exercer pressão ou cair na corrente.
- ◆ Não tente cortar um ramo se o diâmetro do ramo exceder o comprimento de corte da ferramenta.
- ◆ Retire sempre a bateria da ferramenta e coloque o conjunto da protecção da corrente sobre a corrente quando armazenar ou transportar a ferramenta.
- ◆ Mantenha a corrente da serra afiada e com a tensão correcta. Verifique a tensão a intervalos frequentes.
- ◆ Desligue a ferramenta, deixe que a corrente pare e retire a bateria da ferramenta antes de fazer qualquer ajuste ou operação de manutenção.
- ◆ Utilize apenas peças sobresselentes e acessórios originais.
- ◆ **Mantenha os punhos secos, limpos e sem óleo ou gordura.** Os punhos com gorduras ou óleo são escorregadios, podendo provocar a perda de controlo.
- ◆ **O amortecedor afiado pode ficar mais afiado durante a vida útil do produto. Manuseie com cuidado.**
- ◆ **Quando manusear o produto, a corrente pode ficar quente; manuseie com cuidado.**

Causas e prevenção por parte do utilizador do efeito de recuo

O recuo pode ocorrer quando a frente ou ponta da barra-guia tocar num objecto ou quando um pedaço de madeira se fechar e emperrar a corrente da serra no corte.

O contacto com a ponta poderá, em alguns casos, causar uma súbita reacção inversa, empurrando a barra-guia para cima e para trás na direcção do utilizador.

Prender a corrente da serra ao longo da parte superior da barra-guia pode empurrá-la rapidamente para trás na direcção ao utilizador.

Qualquer uma destas reacções pode fazer com que perca o controlo da motosserra o que pode causar ferimentos graves. Não dependa exclusivamente dos dispositivos de segurança integrados na sua motosserra. Como utilizador de uma motosserra, deve tomar várias medidas para manter os seus trabalhos de corte sem acidentes ou ferimentos.

O recuo é o resultado de uma utilização errada da ferramenta e/ou de procedimentos ou condições de utilização incorrectos, podendo ser evitado com medidas de precauções adequadas, conforme descrito em seguida:

- ◆ **Segure com firmeza o punho, com os polegares e os dedos à volta dos punhos da motosserra. Com ambas as mãos na motosserra, posicione o corpo e o braço de modo a permitir resistência às forças de recuo.** As forças de recuo podem ser controladas pelo utilizador, se forem tomadas medidas de precaução adequadas. Não largue a motosserra.
- ◆ **Mantenha sempre o equilíbrio e não corte a uma altura superior à do seu ombro.** Isto ajuda a impedir um contacto involuntário da ponta e permite um melhor controlo da motosserra em situações inesperadas.
- ◆ **Utilize apenas barras-guia e correntes sobresselentes especificadas pelo fabricante.** Barras-guia e correntes sobresselentes incorrectas podem partir a corrente e/ou um recuo.
- ◆ **Respeite as instruções de afiação e manutenção do fabricante relativas à corrente da serra.** Diminuir a altura do indicador de profundidade pode causar um maior recuo.

Recomendações de segurança para a motosserra

- ◆ Recomendamos que os utilizadores principiantes obtenham instruções práticas sobre a utilização da motosserra e equipamento de protecção junto de um utilizador experiente. A prática inicial deve ser efectuada serrando um toro num cavalete ou andaime.
- ◆ Quando transportar a motosserra, recomendamos que remova a bateria e certifique-se de que a corrente da serra está virada para trás.
- ◆ Efectue a manutenção da sua motosserra quando não estiver em utilização. Não armazene a motosserra durante um determinado período de tempo sem antes remover a corrente e a barra-guia que devem ficar mergulhadas em óleo. Armazene todas as peças da motosserra num local seco, seguro e fora do alcance das crianças.
- ◆ Recomendamos que drene o depósito do óleo antes de armazenar.
- ◆ Tenha cuidado com os passos que dá e estabeleça uma saída de segurança de uma queda de árvore ou ramos.

- ◆ Utilize calços para ajudar a controlar o derrubamento e evitar o bloqueio da barra-guia e da corrente na madeira.
- ◆ Cuidados a ter com a corrente. Mantenha a corrente afiada e bem colocada na barra-guia. Certifique-se de que a corrente da serra e a barra-guia estão limpas e bem oleadas. Mantenha os punhos secos, limpos e sem qualquer óleo ou gordura.

Um recuo pode ser causado por:

- ◆ Bater em troncos ou outros objectos acidentalmente com a ponta da serra enquanto a corrente da serra estiver em movimento.
- ◆ Bater em metal, cimento ou outro material duro perto da madeira, ou furar a madeira.
- ◆ Uma corrente da serra desafiada ou solta.
- ◆ Cortar a uma altura superior à do seu ombro.
- ◆ Falta de atenção ao segurar ou orientar a motosserra durante o corte.
- ◆ Não tente chegar a pontos fora do alcance. Mantenha sempre o equilíbrio.
- ◆ Não tente inserir a serra num corte anterior, porque pode causar recuo. Faça sempre um novo corte.
- ◆ Recomendamos vivamente que não tente trabalhar com a motosserra quando estiver em cima de uma árvore, escada ou superfície instável. Se o fizer, tenha em atenção que estas posições são extremamente perigosas.
- ◆ Quando cortar um tronco que esteja sob tensão, tenha cuidado porque pode fazer ricochete quando a tensão aliviar.

Evite cortar:

- ◆ Madeira preparada.
- ◆ O chão.
- ◆ Arames metálicos, pregos, etc.
- ◆ Galhos de pequenas dimensões e casca de árvores, uma vez que o material fino e delgado pode tocar na corrente da serra e saltar na sua direcção ou fazer com que se desequilibre.
- ◆ Não utilize a ferramenta a uma altura superior à do seu ombro.
- ◆ Certifique-se de que, em caso de acidente, existe alguém por perto (mas a uma distância de segurança).
- ◆ Se, por qualquer motivo, tiver de tocar na corrente da serra, certifique-se de que a motosserra está desligada da tomada e que retirou a bateria.
- ◆ O ruído produzido por este produto pode ultrapassar os 80 dB(A). Recomendamos que tome as devidas medidas para proteger os ouvidos

Riscos residuais.

Podem surgir riscos residuais adicionais durante a utilização da ferramenta, que podem não constar nos avisos de segurança incluídos.

Estes riscos podem resultar de má utilização, utilização prolongada, etc.

Mesmo que as regulamentações de segurança relevantes sejam cumpridas e os dispositivos de segurança sejam implementados, alguns riscos residuais não podem ser evitados. Estes incluem:

- ◆ Ferimentos causados pelo contacto com peças em rotação/movimento.
- ◆ Ferimentos causados durante a troca de peças, lâminas ou acessórios.
- ◆ Ferimentos causados pela utilização prolongada de uma ferramenta. Se utilizar uma ferramenta durante períodos prolongados, certifique-se de que faz pausas com frequência.
- ◆ Danos auditivos.
- ◆ Problemas de saúde causados pela inalação de poeiras resultantes da utilização da ferramenta (exemplo: trabalhos em madeira, especialmente carvalho, faia e MDF).

Vibração

Os valores de emissão de vibração declarados e o(s) valor(es) de emissão de ruído declarado(s) indicados na secção de dados técnicos e na declaração de conformidade foram medidos de acordo com o método de teste padrão fornecido pela EN 62841 e podem ser utilizados para comparar ferramentas. O valor de emissão de vibração declarado e o(s) valor(es) de emissão de ruído declarado(s) podem ser utilizados também numa avaliação preliminar da exposição.

Atenção! O valor da emissão de vibração e ruído durante a utilização real da ferramenta eléctrica pode ser diferente do valor declarado, dependendo da forma como a ferramenta é utilizada. O nível de vibração pode aumentar acima do nível indicado.

Quando avaliar a exposição a vibrações para determinar as medidas de segurança exigidas pela Directiva 2002/44/CE para proteger pessoas que utilizem com frequência ferramentas eléctricas na sua actividade profissional, deve ser considerada uma estimativa da exposição à vibração, as condições reais de utilização e o modo de utilização da ferramenta, incluindo ainda todas as partes do ciclo de funcionamento, como os períodos de inactividade e espera da ferramenta, além do tempo de funcionamento.

Etiquetas colocadas na ferramenta

A ferramenta apresenta os seguintes pictogramas de aviso em conjunto com o código de data:



Atenção! Para reduzir o risco de ferimentos, o utilizador deve ler o manual de instruções.



Não utilize a serra sob condições húmidas nem a exponha à chuva.



Utilize sempre protecções para a cabeça, ouvidos e olhos.



Utilize sempre luvas.



Utilize sempre calçado de segurança antiderrapante.



Segure sempre a motosserra firmemente com as duas mãos.



Preste atenção à força de recuo da motosserra e evite o contacto com a ponta da barra da corrente.



Não utilize a motosserra apenas com uma mão.



Cuidado com a queda de objectos.



Mantenha os transeuntes afastados



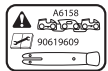
Para garantir um funcionamento sempre seguro, verifique a tensão da corrente a cada 10 minutos de utilização conforme descrito neste manual, ajustando-a conforme necessário para uma distância de 3 mm. Lubrifique a corrente a cada 10 minutos de utilização.



Atenção! Não toque na corrente no ponto de ejeção das aparas



Direcção de rotação da corrente.



Para garantir um funcionamento sempre seguro, a corrente e a barra-guia só podem ser substituídas por peças originais da BLACK+DECKER. Número da peça sobresselente da corrente A6158, número da peça sobresselente da barra-guia 90619609.



Desligue a ferramenta. Antes de ser realizada qualquer operação de manutenção na ferramenta, retire a bateria da ferramenta.



Potência sonora garantida pela Directiva 2000/14/CE.

Instruções de segurança adicionais para baterias e carregadores

Baterias

- ◆ Nunca abra a bateria, seja qual for o motivo.
- ◆ Não exponha a bateria à água.
- ◆ Não exponha a bateria ao calor.
- ◆ Não armazene em locais onde a temperatura possa exceder os 40 °C.
- ◆ Carregue apenas a temperaturas ambiente entre 10 °C e 40 °C.
- ◆ Carregue apenas com o carregador fornecido com o equipamento/ferramenta. A utilização do carregador incorrecto pode resultar em choque eléctrico ou sobreaquecimento da bateria.
- ◆ Quando eliminar as baterias, siga as instruções indicadas na secção "Protecção do ambiente".
- ◆ Não danifique a bateria por perfuração ou impacto, pois pode originar risco de ferimentos e incêndio.
- ◆ Não carregue baterias danificadas.

Em condições extremas, pode ocorrer uma fuga nas baterias. Se detectar fuga de electrólito das baterias, limpe o líquido cuidadosamente com um pano. Evite o contacto com a pele. Em caso de contacto com a pele ou com os olhos, siga as instruções seguintes.

Atenção! O electrólito da bateria pode causar ferimentos ou danos materiais. Em caso de contacto com a pele, enxágue de imediato com água. Em caso de vermelhidão, dor ou irritação, contacte um médico. Se entrar em contacto com os olhos, enxágue imediatamente com água limpa e procure ajuda médica.

Carregadores

Atenção! O carregador foi concebido para uma tensão específica. Verifique sempre se a tensão de alimentação corresponde à tensão indicada na placa sinalética.

Atenção! Nunca substitua a unidade do carregador por uma tomada de alimentação normal.

- ◆ Utilize o carregador da BLACK+DECKER apenas para carregar a bateria do equipamento/ferramenta com o qual foi fornecido. Outras baterias podem rebentar, provocando ferimentos e danos.
- ◆ Nunca tente carregar baterias não recarregáveis.

- ◆ Se o cabo de alimentação estiver danificado, terá de ser substituído pelo fabricante ou por um centro de assistência autorizado BLACK+DECKER para evitar acidentes.
- ◆ Não exponha o carregador à água.
- ◆ Não abra o carregador.
- ◆ Não perfure o carregador.
- ◆ O carregador deve ser colocado numa área com ventilação adequada durante o carregamento.

Etiquetas no carregador

O carregador contém os seguintes símbolos de aviso:



O carregador deve ser utilizado apenas em espaços interiores.



Antes da utilização, leia o manual de instruções.

Segurança eléctrica



O carregador tem isolamento duplo. Por esse motivo, não necessita de ligação à terra. Verifique sempre se a tensão de alimentação corresponde à tensão indicada na placa sinalética. Nunca substitua a unidade do carregador por uma tomada de alimentação normal.

- ◆ Se o cabo de alimentação estiver danificado, terá de ser substituído pelo fabricante ou por um centro de assistência autorizado da BLACK+DECKER para evitar acidentes.

Acessórios

1. Interruptor para ligar/desligar
2. Botão de desbloqueio
3. Tampão do óleo
4. Depósito de óleo
5. Conjunto do resguardo da lâmina
6. Conjunto da protecção da corrente
7. Parafuso de ajuste da tensão da corrente
8. Corrente
9. Barra-guia
10. Bateria
11. Bainha da corrente
12. Carregador

Montagem

Atenção! Antes de montar, remova a bateria (10) da ferramenta.

Colocar e remover a bateria (Fig. A)

- ◆ Para instalar a bateria (10), alinhe-a com o receptáculo na ferramenta.

Faça deslizar a bateria (10) para dentro do receptáculo e puxe até que a bateria (10) se encaixe devidamente.

- ◆ Para remover a bateria (10), carregue no botão de desbloqueio (24) enquanto retira, ao mesmo tempo, a bateria (10) do receptáculo.

Atenção! Para prevenir um funcionamento accidental, certifique-se de que a bateria é retirada e que a bainha da corrente (11) está colocada na corrente da serra (8) antes de efectuar as seguintes operações. Se não o fizer, podem ocorrer ferimentos graves.

Carregar a bateria (Fig. B)

A bateria tem de ser carregada antes da primeira utilização e sempre que não conseguir produzir potência suficiente em trabalhos anteriormente feitos sem dificuldade. A bateria pode aquecer durante o carregamento. Isto é normal e não indica um problema.

Atenção! Não carregue a bateria a temperaturas ambiente inferiores a 10 °C ou superiores a 40 °C. Temperatura de carregamento recomendada: aproximadamente 24 °C.

Nota: O carregador não carrega a bateria se a temperatura das células for inferior a aprox. 10 °C ou superior a 40 °C. A bateria deve ser deixada no carregador e este começa a carregar automaticamente quando a temperatura das células aumentar ou diminuir.

- ◆ Para carregar a bateria (10), insira-a no carregador (12). A bateria apenas pode ser colocada no carregador de uma forma. Não force o movimento de corte. Certifique-se de que a bateria está completamente introduzida no carregador.
- ◆ Ligue o carregador e ligue-o à corrente. O indicador de carga (23) fica intermitente. O carregamento é concluído quando a luz do indicador de carga (23) ficar acesa de maneira contínua. O carregador e a bateria podem ficar ligados indefinidamente. O LED acende-se quando o carregador ocasionalmente preenche a carga da bateria.
- ◆ As baterias descarregadas devem ser carregadas num intervalo de 1 semana. A vida útil da bateria diminui consideravelmente se for guardada sem carga.

Deixar a bateria no carregador

O carregador e a bateria podem permanecer ligados com o LED aceso indefinidamente. O carregador mantém a bateria totalmente carregada.

Instalar e retirar a corrente da serra (Fig. C–E, G)



Utilize sempre luvas de protecção durante a instalação ou remoção da corrente da serra (8). A corrente da serra é afiada e pode cortá-lo quando não estiver a ser utilizada.

- ◆ Coloque a ferramenta numa superfície firme e estável.
- ◆ Desaperte os dois parafusos Allen (14) com a chave Allen (21) fornecida. Remova os parafusos Allen (14).
- ◆ Retire o conjunto da protecção da corrente (6).
- ◆ Rode o parafuso de ajuste da tensão da corrente (7) no sentido dos ponteiros do relógio para permitir que a barra-guia (9) recue e reduza a tensão na corrente da serra (8).
- ◆ Retire a corrente da serra antiga (8) da roda dentada (15) e da barra-guia (9).
- ◆ Coloque a nova corrente da serra (8) na ranhura da barra-guia (9) e à volta da roda dentada (15). Certifique-se de que os dentes estão na direcção correcta, fazendo corresponder a seta da corrente (8) com a seta no conjunto da protecção da corrente (6).
- ◆ Certifique-se de que a ranhura (17) na barra-guia (9) se encontra sobre os pinos de localização (18) e que o orifício (20) abaixo da ranhura se encontra sobre o pino de ajuste (19).
- ◆ Coloque o conjunto da protecção da corrente (6) e os 2 parafusos Allen (14).
- ◆ Aperte os parafusos Allen (14) com a chave Allen (21) fornecida.
- ◆ Ajuste a tensão da corrente, conforme descrito abaixo.

Verificar e ajustar a tensão da corrente (Fig. C–F)

- ◆ Verifique a tensão da corrente da serra. A tensão está correcta quando a corrente da serra (8) volta a encaixar após ser afastada 3 mm da barra-guia (9) com uma ligeira força do polegar e do dedo médio. Não deve haver qualquer “folga” entre a barra-guia (9) e a corrente da serra (8) no lado inferior.

Para ajustar a tensão:

- ◆ Desaperte os 2 parafusos Allen (14).
- ◆ Rode o parafuso de ajuste da tensão da corrente (7) no sentido dos ponteiros do relógio.

Atenção! Não aplique uma tensão excessiva na corrente, porque pode provocar um desgaste excessivo e reduzir a duração da barra e da corrente.

- ◆ Assim que a tensão da corrente estiver correcta, aperte os 2 parafusos Allen (14).

Atenção! Quando a corrente da serra é nova, verifique frequentemente a tensão, durante as duas primeiras horas de utilização, visto que a nova corrente da serra tem tendência a esticar ligeiramente.

Encher o depósito de óleo (Fig. G)

- ◆ Retire o tampão do óleo (3) e encha o depósito (4) com o óleo recomendado para a corrente. Pode verificar o nível do óleo no depósito de óleo (4). Volte a colocar o tampão do óleo (3).

- ◆ Desligue periodicamente e verifique o nível do óleo; se estiver menos de um quarto cheio, retire a bateria (10) da ferramenta e volte a encher o depósito (4) com o óleo correcto.

Lubrificar a corrente (Fig. G)

A corrente da serra (8) tem de ser lubrificada antes de cada utilização e após a limpeza utilizando apenas a classe correcta do óleo (cat. n.º A6027).

- ◆ Lubrifique a corrente da serra (8), carregando no tampão do óleo (3) duas vezes antes de fazer cada corte, mantendo a lâmpada pressionada durante 3 ou 4 segundos.

Utilização

Ligar e desligar (Fig. G)

Atenção! Não altere o ritmo de funcionamento da ferramenta, não a sobrecarregue.

Para sua segurança, esta ferramenta encontra-se equipada com um sistema de dois interruptores. Este sistema impede que a ferramenta seja ligada de forma inadvertida.

Ligar

- ◆ Carregue no botão de desbloqueio (2) e carregue em simultâneo no interruptor para ligar/desligar (1).
- ◆ Liberte o botão de desbloqueio (2).

Desligar

- ◆ Solte o interruptor para ligar/desligar (1).

Atenção! Nunca tente bloquear um interruptor de ligação na posição Ligado.

Podar árvores (Fig. H)

Certifique-se de que a legislação e os regulamentos locais não proibem nem controlam a poda de pemedas de árvores. A poda apenas deve ser efectuada apenas por utilizadores experientes, porque existe um maior risco da corrente da serra (8) ficar presa e causar recuo.

Antes da poda, devem ser tomadas em consideração as condições que afectam a direcção da queda, incluindo:

- ◆ O comprimento e peso do ramo a cortar.
- ◆ A existência de alguma estrutura ou apodrecimento de pemedada pesada.
- ◆ Árvores e obstáculos envolventes, incluindo linhas aéreas.
- ◆ A velocidade e direcção do vento.
- ◆ O ramo estar entrelaçado com outros ramos.

O operador deve ter em consideração o acesso à pemedada da árvore e a direcção da queda. É provável que o ramo da árvore oscile em direcção ao tronco da árvore. Para além do utilizador, as pessoas, objectos e propriedade sob o ramo correm riscos.

Para evitar a criação de lascas, o primeiro corte é efectuado para cima a uma profundidade máxima de um terço do diâmetro do ramo. O segundo corte é efectuado para baixo de modo a encontrar o primeiro.

Corte ligeiro (Fig. I)

A forma de corte depende da maneira como o toro é apoiado. Sempre que possível, utilize um cavalete de serração.

Inicie sempre um corte com a corrente da serra (8) em funcionamento e o amortecedor afiado em contacto com a madeira. Para concluir o corte, utilize um movimento giratório do amortecedor afiado contra a madeira.

Quando suportado ao longo de todo o respectivo comprimento:

- ◆ Efectue um corte para baixo, mas evite cortar a terra, porque isso faz com que a corrente da serra fique embotada rapidamente.
Quando apoiado em ambas as extremidades:
- ◆ Em primeiro lugar, corte um terço para evitar que a madeira lasque e, em segundo lugar, efectue um novo corte que vá de encontro ao primeiro, quando apoiado numa extremidade:
- ◆ Em primeiro lugar, corte um terço para cima de modo a evitar que a madeira lasque e, em segundo lugar, corte para baixo para evitar que a madeira lasque.
Quando está num declive:
- ◆ Fique sempre no lado de cima. Quando utilizar um cavalete (Fig. I):
Este procedimento deve ser utilizado sempre que possível.
- ◆ Posicione o toro numa posição estável. Corte sempre do lado de fora dos braços do cavalete. Utilize tornos ou correias para fixar a peça de trabalho.

Limpeza, manutenção e armazenamento

A ferramenta da BLACK+DECKER foi concebida para funcionar durante muito tempo com um mínimo de manutenção.

Uma utilização continuamente satisfatória depende de uma manutenção adequada da ferramenta e de uma limpeza frequente.

Além da limpeza frequente, o carregador não necessita de manutenção.

Atenção! Antes de ser realizada qualquer operação de manutenção na ferramenta, retire a bateria da ferramenta. Desligue o carregador antes de limpá-lo.

Após a utilização e antes do armazenamento

Limpe regularmente as aberturas de ventilação com uma escova limpa e seca.

Para limpar a ferramenta, utilize apenas sabão neutro e um pano húmido.

Nunca permita a entrada de líquidos na ferramenta e nunca mergulhe nenhuma parte da ferramenta em líquido.

- ◆ Remova os resíduos com uma escova rígida.
- ◆ Lubrifique a corrente (8) com o óleo.

Afiar a corrente da serra

Se pretende obter os melhores resultados desta ferramenta, é importante manter os dentes da corrente da motosserra afiados.

As directrizes deste procedimento encontram-se na embalagem do amolador. Para esta finalidade, recomendamos a compra do kit de afiador da corrente da BLACK+DECKER, disponível nos técnicos de assistência da BLACK+DECKER (cat. n.º A6039).

Substituir correntes de serra e barras-guia gastas ou danificadas

Estão disponíveis correntes de serra sobresselentes através de fornecedores e técnicos de assistência da BLACK+DECKER (peça n.º A6158), as barras-guia sobresselentes estão apenas disponíveis através de técnicos de assistência da BLACK+DECKER (peça n.º 90517720). Para evitar o risco de ferimentos, utilize apenas correntes e barras-guia da BLACK+DECKER. Utilize sempre peças sobresselentes genuínas.

Afiação da corrente da serra

As lâminas da corrente da serra ficam rombas de imediato se tocarem no solo ou num prego durante o corte.

Tensão da corrente

Verifique com frequência a tensão da corrente da serra.

O que fazer se a sua motosserra necessitar de reparação.

A sua ferramenta cumpre com os requisitos de segurança aplicáveis. As reparações só devem ser efectuadas por um profissional qualificado, utilizando peças sobresselentes originais. Caso contrário, o utilizador pode correr sérios riscos. Recomendamos que guarde este manual do utilizador num local seguro.

Armazenamento

Quando a ferramenta não for utilizada durante vários meses, deixe, de preferência, a bateria (10) ligada ao carregador.

Caso contrário, proceda da seguinte forma:

- ◆ Remova a bateria (10) da ferramenta.
- ◆ Carregue completamente a bateria (10).
- ◆ Guarde a ferramenta e a bateria (10) num local seguro e seco. A temperatura de armazenamento deve situar-se sempre entre +10 °C e +40 °C. Coloque a bateria (10) numa superfície nivelada.

- ◆ Antes de utilizar a ferramenta após um tempo de inactividade prolongado, carregue totalmente a bateria (10) de novo

Proteger o ambiente



Faça uma recolha de lixo selectiva. Os produtos e as baterias assinalados com este símbolo não devem ser eliminados em conjunto com o lixo doméstico normal.

Os produtos e as baterias contêm materiais que podem ser recuperados ou reciclados, reduzindo assim a necessidade de matérias-primas.

Recicle os produtos eléctricos e as baterias de acordo com as disposições locais. Estão disponíveis mais informações em www.2helpU.com

Dados técnicos

GKC1820L 20, tipo 3		
Tensão	V _{CC}	18
Velocidade da corrente (sem carga)	m/min	190
Peso	kg	1,55
Bateria BL2018		
Tensão	V _{CC}	18
Capacidade	Ah	2,0
Tipo		lões de lítio
Carregador 905902**TIPO 1		
Tensão de entrada	V _{CA}	100 a 240
Tensão de saída	V _{CC}	8 a 20
Corrente de saída	mA	400

Nível de pressão sonora garantido, medido de acordo com a norma EN62841:	
LpA (nível de pressão sonora de emissão):	78 dB(A), variabilidade (K): 3 dB(A)
LWA (nível de potência sonora medida):	94 dB(A), variabilidade (K) = 1,9 dB(A)

Valores totais de vibração (valores totais de vibração) de acordo com EN 62841:	
Valor de emissão de vibrações (a _{1v}) = 5,5 m/s ² , variabilidade (K) = 1,5 m/s ²	

GKC1820L 20 – Motosserra compacta

A Black & Decker declara que os produtos descritos nos "dados técnicos" estão em conformidade com: 2006/42/CE, EN 62841-1:2015+A11:2022, EN 62841-4-1:2020
LWA (nível de potência sonora medida): 94 dB(A), variabilidade (K) = 1,9 dB(A),
LWA (potência sonora garantida) 96 dB(A)
Estes produtos respeitam também a Directiva 2014/30/UE e 2011/65/UE.

Para obter mais informações, contacte a Black & Decker através do endereço seguinte ou consulte o verso do manual. O abaixo-assinado é responsável pela compilação do ficheiro técnico e faz esta declaração em nome da Black & Decker.

Patrick Diepenbach

Patrick Diepenbach
Director-Geral, Benelux
Black & Decker,
Egide Walschaertsstraat 14-18
2800 Mechelen, Bélgica
08/09/22

Garantia

A Black & Decker confia na qualidade dos seus produtos e oferece aos clientes uma garantia de 24 meses a partir da data de compra.

Esta garantia é um complemento dos seus direitos estabelecidos por lei, não os prejudicando de forma alguma.

A garantia é válida nos territórios dos Estados-membros da União Europeia, na Zona Europeia de Comércio Livre e no Reino Unido.

Para accionar a garantia, esta deve estar em conformidade com os termos e condições da Black & Decker e tem de apresentar comprovativos de compra ao vendedor ou a um técnico de reparação autorizado.

Os termos e condições da garantia de 2 anos da Black & Decker e a localização do técnico de reparação autorizado mais próximo podem ser obtidos na Internet em www.2helpU.com ou contactando uma filial da Black & Decker, cuja morada está indicada neste manual.

Visite o nosso Website www.blackanddecker.co.uk para registar o novo produto da BLACK+DECKER e manter-se actualizado relativamente a novos produtos e ofertas especiais.

Declaração de conformidade CE
DIRECTIVA "MÁQUINAS"



Avsedd användning

Din BLACK+DECKER™, GKC1820L 20 kompakta motorsåg har konstruerats för lätt kapning och kvistning. Detta verktyg är endast avsett för konsumentbruk.

Säkerhetsinstruktioner

Allmänna säkerhetsanvisningar för elverktyg



Varning! Läs alla säkerhetsvarningar, instruktioner, illustrationer och specifikationer som levereras med elverktyg. Underlåtenhet att läsa alla instruktioner som listas här nedan kan resultera i elektrisk stöt, eldsvåda och/eller allvarlig personskada.

Spara alla säkerhetsföreskrifter och anvisningar för framtida bruk. Begreppet "Elverktyg" i alla varningar som listas nedan avser nätdrivna elverktyg (med nätsladd) och batteridrivna elverktyg (sladdlösa).

1. **Säkerhet på arbetsplatsen**
 - a. **Se till att arbetsområdet är rent och väl belyst.** Belamrade och mörka områden inbjuder till olyckor.
 - b. **Använd inte elverktyget i explosionsfarlig omgivning, t.ex. i närheten av brännbara vätskor, gaser eller damm.** Elverktyg skapar gnistor som kan antända damm eller ångor.
 - c. **Håll barn och åskådare på avstånd vid arbete med elverktyget.** Distractioner kan göra att du förlorar kontrollen.
2. **Elsäkerhet**
 - a. **Elverktygets stickkontakt måste passa i eluttaget. Modifiera aldrig kontakten på något sätt. Använd inga adapterkontakter tillsammans med jordade elverktyg.** Icke modifierade kontakter och passande uttag minskar risken för elektrisk stöt.
 - b. **Undvik kroppskontakt med jordade ytor, t.ex. rör, värmelement, spisar och kylskåp.** Det finns en ökad risk för elektrisk stöt om din kropp är jordansluten eller jordad.
 - c. **Utsätt inte elverktyget för regn eller våta omgivelningar.** Vatten som kommer in i ett elverktyg ökar risken för elektrisk stöt.
 - d. **Misshandla inte nätsladden. Använd aldrig sladden för att bära, dra eller koppla bort elverktyget från uttaget. Håll sladden borta från värme, olja, vassa kanter eller rörliga delar.** Skadade eller tilltrasslade sladdar ökar risken för elektrisk stöt.
 - e. **Använd en förlängningssladd som lämpar sig för utomhusbruk när du arbetar med elverktyg utomhus.**

Användning av en sladd som är lämplig för utomhusbruk minskar risken för elektriska stötar.

- f. **Om du måste använda ett elverktyg på en fuktig plats, bör du använda en strömförsörjning med jordfelsbrytare.** Användning av en jordfelsbrytare minskar risken för elektrisk stöt.
3. **Personlig säkerhet**
 - a. **Var uppmärksam, se på vad du gör och använd sunt omdöme när du använder elverktyget. Använd inte ett elverktyg när du är trött eller påverkad av droger, alkohol eller mediciner.** Ett ögonblicks ouppmärksamhet när du arbetar med elektriska verktyg kan leda till allvarliga personsador.
 - b. **Använd personlig skyddsutrustning. Använd alltid skyddsglasögon.** Skyddsutrustning såsom skyddsmask, halksäkra säkerhetsskor, skyddshjälm eller hörselskydd som används för lämpliga förhållanden minskar personsador.
 - c. **Förhindra oavsiktlig start. Kontrollera att strömbrytaren står i avstängt läge innan du ansluter verktyget till elnätet eller sätter i batteriet, samt innan du tar upp eller bär verktyget.** Att bära elektriska verktyg med fingret på strömbrytaren eller att koppla strömmen till elektriska verktyg när strömbrytaren är på leder till olyckor.
 - d. **Ta bort alla inställningsverktyg och skruvnycklar innan du startar elverktyget.** Ett verktyg eller en nyckel som har lämnats kvar på en roterande del av det elektriska verktyget kan orsaka kroppssador.
 - e. **Sträck dig inte för mycket. Ha ordentligt föfäste och balans hela tiden.** Detta möjliggör bättre kontroll av elverktyget i oväntade situationer.
 - f. **Bär lämpliga kläder. Bär inte lösa kläder eller smycken. Håll hår, beklädnad och handskar borta från delar i rörelse.** Lösa kläder, smycken eller långt hår kan fastna i rörliga delar.
 - g. **Om enheten har dammsugnings- och uppsamlingsutrustning, se till att den är ansluten och används på korrekt sätt.** Användning av dammuppsamling kan minska dammrelaterade risker.
 - h. **Bli inte vårdslös och ignorera inte säkerhetsprinciperna trots att du är van att använda verktyg.** En oförsiktig handling kan orsaka allvarliga skador under bråkdelen av en sekund.
 4. **Användning och skötsel av elverktyg**
 - a. **Överbelasta inte elverktyget. Använd rätt elverktyg för ditt arbete.** Det korrekta elverktyget gör arbetet bättre och säkrare vid den hastighet för vilket det konstruerades.
 - b. **Använd inte elverktyget om det inte kan startas och stängas av med strömbrytaren.** Ett elverktyg som inte kan kontrolleras med strömbrytaren är farligt och måste repareras.

- c. **Dra stickkontakten ur vägguttaget och/eller ta ut batteriet ur elverktyget innan installationer görs, tillbehör delar byts ut eller elverktyget ställs undan.** Sådana förebyggande säkerhetsåtgärder minskar risken att oavsiktligt starta elverktyget.
 - d. **Förvara elverktyg utom räckhåll för barn och låt inte personer som är ovana vid elverktyget eller som inte läst denna bruksanvisning använda det.** Elverktyg är farliga i händerna på ovana användare.
 - e. **Underhålla elverktyg. Kontrollera att rörliga komponenter fungerar felfritt och inte kärvar, att komponenter inte gått sönder eller skadats och inget annat föreligger som kan påverka elverktygets funktion. Om det är skadat, se till att elverktyget blir reparerat före användning.** Många olyckor orsakas av dåligt underhållna elektriska verktyg.
 - f. **Håll skärande verktyg vassa och rena.** Korrekt underhållna kapverktyg med vassa skär är mindre troliga att de fastnar och är lättare att kontrollera.
 - g. **Använd elverktyg, tillbehör, bits m.m. enligt dessa anvisningar, samtidigt som arbetsförhållandena och det arbete som ska utföras beaktas.** Användning av elverktyget för andra uppgifter än vad som avsetts kan resultera i farliga situationer.
 - h. **Håll handtagen och greppytorna torra, rena och fria från olja och fett. Håll handtag och greppytorna förhindrar säker hantering och kontroll av verktyget i oväntade situationer.**
5. **Användning och skötsel av batteridrivet verktyg**
- a. **Ladda endast med den laddare som är specificerad av tillverkaren.** En laddare som passar en batterityp kan medföra brandrisk om den används ihop med ett annat batteri.
 - b. **Använd endast de batteri som är speciellt avsedda för elverktyget.** Användning av andra batteri kan utgöra en risk för personskador och brand.
 - c. **När batteriet inte används ska du hålla det åtskilt från metallföremål som gem, mynt, nycklar, spik, skruvar och andra små metallföremål som kan orsaka kortslutning mellan batteriets poler.** Kortslutning av batteripolerna kan leda till brännskador eller eldsvåda.
 - d. **Under olämpliga förhållanden kan vätska spruta ut från batteriet. Undvik kontakt. Vid oavsiktlig kontakt, spola med vatten. Om vätskan kommer i kontakt med ögonen, sök också läkarhjälp.** Vätska som sprutar ur batteriet kan orsaka sveda och brännskador.
 - e. **Använd inte batterier eller verktyg som är skadade eller modifierade.** Skadade eller modifierade batterier kan uppvisa oförutsägbart beteende som kan leda till brand, explosion eller risk för skada.
 - f. **Utsätt inte batteriet eller verktyg för brand eller höga temperaturer.**

Exponering för brand eller temperatur över 130 °C kan orsaka explosion. NOTERA: Temperaturen "130 °C" kan ersättas med temperaturen "265 °F".

- g. **Följ laddningsinstruktionerna och ladda inte batteripaketet eller verktyget utanför det temperaturområde som specificeras i instruktionerna.** Om du laddar batteriet felfelaktigt eller vid temperaturer utanför det angivna området kan det skada batteriet och öka risken för brand.
6. **Service**
- a. **Låt en kvalificerad reparatör som bara använder identiska reservdelar utföra service på elverktyget.** Detta säkerställer att elverktygets säkerhet bibehålls.
 - b. **Gör aldrig service på skadade batterier.** Service på batteripaket skall endast utföras av tillverkaren eller auktoriserad servicepersonal (endast för batteriverktyg).

Allmänna säkerhetsföreskrifter för motorsågar



Varning! Extra säkerhetsföreskrifter för motorsågar

- ◆ **Håll undan alla kroppsdelar från kedjan när sågen är igång. Se till att kedjan inte vidrör något innan du startar sågen.** Ett ögonblick av ouppmärksamhet medan motorsågen är igång kan leda till att dina kläder eller kroppsdelar fastnar i sågkedjan.
- ◆ **Håll alltid motorsågen med din högra hand på det bakre handtaget och din vänstra hand på det främre handtaget.** Håll aldrig sågen med händerna i omvänd ordning eftersom risken för personskador då ökar.
- ◆ **Håll endast motorsågen i de isolerade greppytorna eftersom det finns risk för att sågkedjan kommer i kontakt med dolda elledningar.** Om en sågkedja får kontakt med strömförande ledningar kan verktygets metalldelar bli strömförande och ge dig en elektrisk stöt.
- ◆ **Använd skyddsglasögon. Ytterligare skyddsutrustning för hörsel, huvud, händer, ben och fötter rekommenderas. Lämpliga skyddskläder minskar personskador till följd av flygande träbitar eller oavsiktlig kontakt med sågens kedja.**
- ◆ **Använd inte motorsågen när du är uppe i ett träd eller står på en stege eller någon annan instabil yta. Användning av en motorsåg på detta sätt kan leda till allvarliga personskador.**
- ◆ **Se alltid till att ha ordentligt fotfäste och stå på ett stadigt, säkert och jämnt underlag när du använder motorsågen.** Håll eller instabila underlag, t.ex. stegar, kan få dig att tappa balansen eller förlora kontrollen över sågen.
- ◆ **Var uppmärksam på att en spänd gren som sågas av kan fjädra tillbaka.**

När spänningen i träfibrerna släpper kan den fjädrande grenen träffa den som säger och/eller slå motorsågen ur händerna.

- ◆ **lakta stor försiktighet vid kapning av buskar och unga träd.** Tunna grenar kan fastna i kedjan och slå tillbaka mot dig eller få dig att tappa balansen.
- ◆ **Bär motorsågen i det främre handtaget och se till att den är avstängd och att kedjan inte kommer i kontakt med kroppen. Se alltid till att svärdskyddet är på under transport eller förvaring.** Om motorsågen hanteras på rätt sätt minskas risken för oavsiktlig kontakt med kedjan när den är i rörelse.
- ◆ **Följ anvisningarna för smörjning, kedjespänning och byte av tillbehör.** En felaktigt spänd eller smord kedja kan gå av eller medföra ökad risk för kast
- ◆ **Såga endast i trä. Använd inte sågen till annat än det den är avsedd för. Använd den inte till att såga plast, murverk eller byggmaterial som inte är av trä.** Användning av sågen på annat sätt än det avsedda kan framkalla fara.
- ◆ **Denna motorsåg är inte avsedd för trädfällning. Användning av motorsågen på annat sätt än det avsedda kan framkalla fara.**
- ◆ **Följ alla instruktioner när du rensar fastnat material, förvarar eller underhåller motorsågen. Se till att strömbrytaren är avstängd och att batteriet är borttaget. Övåntad aktivering av häcksaxen medan material som fastnat tas bort kan resultera i allvarliga personskador.**

Ytterligare säkerhetsanvisningar för elverktyg



Varning! Extra säkerhetsföreskrifter för motorsågar.

Avsedd användning beskrivs i denna bruksanvisning. Verktyget får inte användas för andra ändamål än vad det konstruerats för. Använd det t.ex. inte för trädfällning. Användning av tillbehör tillsatser eller utförande av arbete med detta verktyg annat än vad som rekommenderas i denna bruksanvisning kan utgöra en risk för personskador.

- ◆ Använd tättsittande och skyddande kläder och en säkerhetshjälm med visir/skyddsglasögon, hörselskydd, halkfria skor, skyddande arbetsbyxor och kraftiga läderhandskar.
- ◆ Se alltid till att du befinner dig på säkert avstånd från eventuella fallande grenar.
- ◆ Säkerhetsavståndet mellan grenar som faller ned och personer som står nära, byggnader och andra föremål är minst 2 1/2 gånger längden på grenen. Alla personer, byggnader och föremål inom detta avstånd löper risk att träffas av den fallande grenen.
- ◆ Förbered säker väg bort från fallande träd eller grenar.

Se till att vägen är fri från hinder som kan begränsa dina rörelser. Tänk på att vått gräs och nyskalad bark är halt.

- ◆ Se till att ha någon i närheten (på säkert avstånd) i händelse av olycka.
- ◆ Använd inte verktyget när du står uppe i ett träd eller på en stege eller någon annan instabil yta.
- ◆ Ha ordentligt fotfäste och balans hela tiden.
- ◆ Håll sågen stadigt med båda händerna när motorn är i gång.
- ◆ Låt inte den löpande kedjan komma emot något föremål vid spetsen av svärdet.
- ◆ Sågning får inte påbörjas förrän kedjan går med full fart.
- ◆ Försök inte att såga i en gammal skåra. Börja alltid med en ny skåra.
- ◆ Se upp för korsande grenar eller annat som kan stoppa sågningen och nypa fast eller falla ned på kedjan.
- ◆ Försök inte att såga av en gren vars diameter är större än längden på verktygets sågande del.
- ◆ Avlägsna alltid batteriet från verktyget och placera kedjeskyddet över kedjan vid förvaring eller transport av verktyget.
- ◆ Se till att kedjan är välslipad och korrekt spänd. Kontrollera kedjespänningen regelbundet.
- ◆ Stäng alltid av verktyget, låt kedjan stanna och avlägsna batteriet från verktyget innan du gör justeringar eller utför service eller underhåll.
- ◆ Använd endast originalreservdelar och -tillbehör.
- ◆ **Håll handtagen torra, rena och fria från olja och fett.** Feta och oljiga handtag är hala och gör sågen okontrollerbar.
- ◆ **Barkstödet kan bli vasst under produktens livslängd. Var försiktig med det. Hantera det försiktigt.**
- ◆ **Svärdet kan bli varmt när produkten används. Var försiktig med det.**

Orsaker till kast och hur man förebygger dessa

Rekyl kan uppstå om svärdets nos eller spets kommer i kontakt med ett föremål, eller om träet sluter sig och nyper kedjan i skåran.

Spetskontakt kan i vissa fall orsaka en plötslig omvänd reaktion så att svärdet slås uppåt och bakåt mot användaren. Om kedjan nypas längs svärdets översida kan svärdet hastigt slungas bakåt mot användaren.

Båda dessa reaktioner kan få dig att tappa kontrollen över sågen, vilket kan leda till allvarlig personskada. Förlita dig inte enbart på sågens inbyggda säkerhetsanordningar. Du bör vidta flera skyddsåtgärder för att undvika olyckshändelser och skador när du använder sågen.

Rekyl uppstår till följd av felaktig användning och/eller hantering av sågen. Detta kan undvikas genom de skyddsåtgärder som beskrivs nedan:

- ◆ **Se till att du har ett fast grepp med tummarna och fingrarna ordentligt omslutna om handtagen.**

Håll sågen med båda händerna och inta en kroppsoch armställning så att du kan stå emot kraften från eventuell rekyl. Kraften i rekyl kan bemästras av användaren om nödvändiga skyddsåtgärder vidtagits. Släpp inte sågen.

- ◆ **Sträck dig inte för långt och såga aldrig ovanför axelhöjd.** Det minskar risken för oavsiktlig spetskontakt och ger dig bättre kontroll över sågen i oväntade situationer.
- ◆ **Använd endast av tillverkaren angivna svärd och kedjor vid byte.** Byte till fel svärd eller kedja kan medföra att kedjan går av och/eller att rekyl uppstår.
- ◆ **Följ tillverkarens anvisningar för slipning och underhåll av kedjan.** Minskning av riktskärets djup kan medföra ökad risk för kast.

Säkerhetsrekommendationer för motorsågen

- ◆ Vi rekommenderar starkt att ovana användare får praktiska instruktioner från en erfaren användare om hur sågen och skyddsutrustningen ska användas. Den inledande övningen bör vara att såga ved på en sågbock eller i en hållare.
- ◆ Vi rekommenderar att du tar ur batteriet och att kedjan är riktad bakåt när du bär motorsågen.
- ◆ Sköt om motorsågen när den inte är i bruk. Lägg inte undan sågen under längre tid utan att först ta bort kedjan och svärdet, som bör förvaras i olja. Förvara sågens delar på ett torrt och säkert ställe, utom räckhåll för barn.
- ◆ Vi rekommenderar att du tömmer oljebehållaren innan sågen läggs i förvar.
- ◆ Se till att du har ordentligt fötäfte och förbered en nödutväg bort från fallande träd eller grenar.
- ◆ Använd kilar för att få kontroll över fällningen och för att undvika att svärdet och sågkedjan kläms fast i skåran.
- ◆ Skötsel av kedjan. Kedjan skall vara vass och tätt spänd mot svärdet. Se till att kedjan och svärdet är rena och väl inoljade. Håll handtagen torra, rena och fria från olja och fett.

Kast kan orsakas av:

- ◆ Att man oavsiktligt slår i grenar och andra föremål medan kedjan är i rörelse.
- ◆ Att man stöter på metall, cement eller annat hårt material i närheten av eller inuti träet.
- ◆ Att kedjan är slö eller lös.
- ◆ Att man arbetar ovanför axelhöjd.
- ◆ Bristande uppmärksamhet medan man håller eller styr sågen under arbete.
- ◆ Att man sträcker sig för långt. Se till att du alltid har säkert fötäfte och balans och inte sträcker dig för långt.
- ◆ För inte in sågen i en gammal skåra. Det kan orsaka kast. Börja alltid med ett nytt skär.

- ◆ Vi rekommenderar starkt att du inte använder motorsågen när du befinner dig uppe i ett träd, på en stega eller på något annat ostadigt underlag. Om du ändå använder sågen under dessa omständigheter, vill vi påpeka att det är mycket farligt.
- ◆ När du kapar en spänd gren, måste du vara beredd på att den kan fjädra upp och träffa dig när spänningen släpper.

Undvik att såga i:

- ◆ Förbehandlat timmer.
- ◆ Marken.
- ◆ Trädstängsel, spik o.s.v.
- ◆ I små buskar och unga träd eftersom tunna grenar kan fastna i kedjan och slå tillbaka mot dig eller få dig att tappa balansen.
- ◆ Använd inte motorsågen ovanför axelhöjd.
- ◆ Se till att ha någon i närheten (på säkert avstånd) i händelse av olycka.
- ◆ Om du av någon anledning måste vidröra kedjan bör du först se till att sågen är avstängd och inte är ansluten till batteriet.
- ◆ Detta verktyg kan nå en bullernivå över 80 dB(A). Vi rekommenderar därför att du vidtar lämpliga åtgärder för att skydda din hörsel

Övriga risker.

Ytterligare risker som inte finns med i de bifogade säkerhetsanvisningarna kan uppstå när verktyget används. Dessa risker kan uppstå vid felaktig eller långvarig användning, etc.

Även om alla relevanta säkerhetsanvisningar följs och säkerhetsanordningar används kan vissa ytterligare risker inte undvikas. Dessa omfattar:

- ◆ Skador orsakade av att roterande/rörliga delar vidrörs.
- ◆ Skador som uppstår vid byte av delar, blad eller tillbehör.
- ◆ Skador som orsakas av långvarig användning av ett verktyg. Se till att regelbundet ta vilopausar när du använder ett verktyg under en längre period.
- ◆ Hörselnedsättning.
- ◆ Hälsorisker orsakade av inandning av damm när redskapet används (exempel: arbete med trä, särskilt ek, bok och MDF)

Vibrationer

De deklarerade vibrationsvärdena och de angivna bullervärdena som anges i avsnitten Tekniska data och deklARATIONEN om överensstämmelse har uppmätts i enlighet med en standardtestmetod föreskriven i EN 62841 och kan användas för jämförelse med andra verktyg. De deklarerade vibrationsvärdena och de angivna bullervärdena kan även användas för en preliminär bedömning av exponeringen.

Varning! Vibrationsvärdet och bullervärdet under faktisk användning av elverktyget kan skilja sig från det uppgivna värdet beroende på hur verktyget används. Vibrationsnivån kan överstiga den uppgivna nivån.

Vid uppskattningar av exponering för vibrationer i syfte att bedöma vilka säkerhetsåtgärder som är nödvändiga enligt 2002/44/EG för att skydda personer som regelbundet använder elverktyg i arbetet ska man utgå från de faktiska omständigheter under vilka elverktyget används och sättet på vilket det används. Bedömningen ska även ta hänsyn till alla moment i arbetscykeln, t.ex. när verktyget är avstängt och när det går på tomgång såväl som när det faktiskt används.

Etiketter på verktyget

Följande varningssymboler finns på verktyget, tillsammans med datumkoden:



Varning! Läs bruksanvisningen före användning för att minska risken för personskador.



Använd inte sågen i väta och utsatt inte för regn.



Använd alltid skydd för huvud, hörsel och ögon.



Bär alltid skyddshandskar.



Bär alltid halkfria säkerhetsskor.



Håll alltid motorsågen ordentligt med båda händerna.



Var uppmärksam på motorsågens kast och undvik kontakt med svärdspetsen.



Använd inte motorsåg med en hand.



Se upp för fallande föremål. Håll åskådare borta



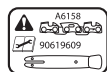
Kontrollera var tionde minut att kedjan är ordentligt spänd (se anvisningarna i denna bruksanvisning) och justera den inom en marginal på 3 mm efter behov. Smörj kedjan var 10:e minut vid användning.



Varning! Rör inte kedjan vid spånutkastet



Kedjans rotationsriktning.



Kedjan och svärdet bör endast ersättas med originaldelar från BLACK+ DECKER för att garantera fortsatt säker drift. Kedja med reservdelsnummer A6158 och svärd med reservdelsnummer 90619609.



Stäng av verktyget. Ta ut batteriet ur verktyget innan du utför något underhåll på verktyget.



Direktiv 2000/14/EG garanterad ljudeffekt.

Ytterligare säkerhetsinstruktioner för batterier och laddare

Batterier

- ◆ Försök aldrig öppna batteriet.
- ◆ Utsätt inte batteriet för vatten.
- ◆ Utsätt inte batteriet för värme.
- ◆ Förvara inte på platser där temperaturen kan bli högre än 40 °C.
- ◆ Ladda endast vid temperaturer mellan 10 °C och 40 °C.
- ◆ Ladda endast med hjälp av laddaren som medföljer apparaten/verktyget. Användning av fel laddare kan resultera i en elektrisk stöt eller att batteriet överhettas.
- ◆ Följ instruktionerna som anges i avsnittet "Miljö" när du kastar batterierna.
- ◆ Skydda batteripaketet från skador/deformeringar i form av slag och stötar eftersom det kan leda till personskador eller eldsvåda.
- ◆ Ladda inte skadade batterier.

Under extrema förhållanden kan batterierna läcka. Om det finns vätska på batterierna ska du torka bort vätskan försiktigt med en trasa. Undvik hudkontakt.

Följ instruktionerna nedan vid kontakt med hud eller ögon.

Varning! Batterivätskan kan orsaka person- eller materialskadorna. Vid hudkontakt, skölj genast med vatten. Vid rodnader, smärta eller irritation ska läkare uppsökas. Vid kontakt med ögon, skölj genast med rent vatten och uppsök läkare.

Laddare

Varning! Laddaren är avsedd för en viss spänning. Kontrollera alltid att nätspänningen överensstämmer med spänningen på typskylten.

Varning! Försök aldrig byta ut laddaren mot en vanlig nätkontakt.

- ◆ Använd endast laddaren från BLACK+DECKER för att ladda batteriet i apparaten/verkytet som den levererades med. Andra batterier kan spricka och orsaka personskador och andra skador.
- ◆ Försök aldrig ladda batterier som inte är uppladdningsbara.
- ◆ Om nätsladden är skadad måste den bytas ut av tillverkaren eller ett auktoriserat BLACK+DECKER servicecenter för att undvika farliga situationer.
- ◆ Utsätt inte laddaren för vatten.
- ◆ Öppna inte laddaren.
- ◆ Gör ingen åverkan på laddaren.
- ◆ Batteriladdaren ska placeras på en plats med god ventilation vid laddning.

Etiketter på laddaren

Följande symboler finns på laddaren:



Laddaren är endast avsedd för inomhusbruk.



Läs bruksanvisningen före användning.

Elsäkerhet



Eftersom laddaren är dubbelisolerad behövs ingen jordledare. Kontrollera alltid att nätspänningen överensstämmer med spänningen på typskylten. Försök aldrig byta ut laddaren mot en vanlig nätkontakt.

- ◆ Om nätsladden är skadad måste den bytas ut av tillverkaren eller en auktoriserad BLACK+DECKER-verkstad för att undvika farliga situationer.

Funktioner

1. Strömbrytare
2. Låsknapp
3. Oljelock
4. Oljebehållare
5. Främre klingskydd
6. Montering av kedjeskydd
7. Justeringsskruv för kedjespänning
8. Kedja
9. Svärd
10. Batteri
11. Kedjeskydd
12. Laddare

Montering

Varning! Ta ur batteriet (10) innan du sätter ihop verktyget.

Montera och ta bort batteriet (bild A)

- ◆ Sätt i batteriet (10) genom att placera det i linje med kontakten på verktyget. Skjut in batteriet (10) på dess plats och tryck tills batteriet (10) snäpper på plats.
- ◆ Ta ur batteriet (10) genom att trycka på låsknappen (24) samtidigt som du drar ut batteriet (10) från dess plats.

Varning! För att undvika skador till följd av oavsiktlig start bör du kontrollera att batteriet har avlägsnats och att kedjeskyddet (11) sitter på sågkedjan (8) innan du gör nedanstående. Om inte ovanstående rekommendationer följs kan det leda till allvariga personskador.

Ladda batteriet (bild B)

Batteriet måste laddas innan det används för första gången och sedan varje gång som det inte ger tillräckligt hög effekt för arbeten som annars brukar gå bra. Batteriet kan bli varmt när det laddas, det är normalt och innebär inte att något är fel.

Varning! Ladda inte batteriet om temperaturen i luften är lägre än 10 °C eller högre än 40 °C. Den rekommenderade laddningstemperaturen är cirka 24 °C.

Notera: Laddaren laddar inte batteriet om celltemperaturen är lägre än ca 10 °C eller högre än 40 °C. Låt batteriet sitta kvar i laddaren. Laddaren sätter automatiskt igång att ladda batteriet när celltemperaturen har stigit eller sjunkit.

- ◆ Vid laddning av batteriet (10) sätter du det i laddaren (12). Batteriet passar bara på ett sätt i laddaren. Tvinga inte. Se till att batteriet sitter ordentligt i laddaren.
- ◆ Anslut laddaren till vägguttaget. Laddningsindikatorn (23) börjar blinka. När batteriet är laddat börjar laddningsindikatorn (23) lysa med ett fast sken. Laddaren och batteriet kan lämnas anslutna hur länge som helst. LED-indikatorn tänds ibland eftersom laddaren då och då fyller på batteriets laddning.
- ◆ Urladdade batterier bör laddas inom 1 vecka. Om batterierna inte laddas när de är urladdade förkortas batterilivslängden avsevärt.

Lämna batteriet i laddaren

Batteriet kan sitta kvar i laddaren och laddaren kan vara ansluten till vägguttaget hur länge som helst när indikatorn lyser. Laddaren ser till att batteriet hålls fräscht och fulladdat.

Montera eller ta bort sågkedjan (fig. C-E,G)



Använd alltid skyddshandskar när sågkedjan (8) läggs på eller tas bort. Kedjan är vass och du kan skära dig även när den inte är i rörelse.

- ◆ Lägg verktyget på ett stabilt och stadigt underlag.
- ◆ Lossa de båda skruvarna (14) med den medföljande insexnyckeln (21). Ta bort insexskruvarna (14).

- ◆ Ta av kedjeskyddet (6).
- ◆ Vrid skruven (7) moturs så att svärdet (9) dras tillbaka och spänningen på sågkedjan (8) minskas.
- ◆ Ta bort den gamla sågkedjan (8) från kugghjulet (15) och svärdet (9).
- ◆ Lägg den nya sågkedjan (8) i skåran på kedjesvärdet (9) och runt kugghjulet (15). Se till så att tänderna pekar i rätt riktning genom att matcha pilen på sågkedjan (8) med pilen på höljet (6).
- ◆ Se till att öppningen (17) på svärdet (9) ligger ovanför styrstiften (18) och att hålet (20) nedanför öppningen ligger ovanför justeringsstiftet (19).
- ◆ Sätt tillbaka kedjeskyddet (6) och fäst det med 2 insexskruvar (14).
- ◆ Lossa de båda skruvarna (14) med den medföljande insexnyckeln (21).
- ◆ Justera kedjespänningen enligt anvisningarna nedan.

Kontroll och justering av kedjespänning (bild C-F)

- ◆ Kontrollera kedjespänningen. Kedjan (8) är rätt spänd när den snäpper tillbaka efter att du dragit ut den 3 mm från svärdet (9) med lätt kraft med långfingret och tummen. Sågkedjan (8) ska inte "hänga ned" från svärdet (9) på undersidan.

Justera spänningen:

- ◆ Ta bort de 2 insexskruvarna (14).
- ◆ Vrid justeringsskruven för kedjespänning (7) medurs.

Varning! Spänn inte kedjan för hårt eftersom det ger ökad förslitning och kommer att minska svärdets och kedjans livslängd.

- ◆ Dra åt de 2 skruvarna (14) när kedjan är rätt spänd.

Varning! Kontrollera kedjespänningen ofta under de två första timmarna när sågen används första gången eftersom en ny kedja sträcks något.

Fylla på oljebehållaren (fig. G)

- ◆ Ta av oljelocket (3) och fyll på behållaren (4) med den rekommenderade kedjeoljan. Du kan se oljenivån i oljenivåtanken (4). Sätt på oljelocket (3).
- ◆ Stäng av sågen med jämna mellanrum och kontrollera oljenivån i indikatorn (10). Om nivån är under en fjärdedel tar du ur batteriet ur motorsågen och fyller på tanken (4) med rekommenderad olja.

Oljning av kedjan (fig. G)

Sågkedjan (8) måste smörjas innan varje användning samt efter rengöring med rätt sorts olja (kat.nr. A6027).

- ◆ Smörj sågkedjan (8) genom att trycka på glödlampan på oljelocket (3) två gånger innan du gör varje snitt, håll ner glödlampan i 3-4 sekunder.

Användning

Starta och stänga av (fig. G)

Varning! Låt verktyget arbeta i sin egen takt, överbelasta inte. Verktyget är för din säkerhet utrustad med dubbla strömbrytare. Det förhindrar att sågen kan startas av misstag.

Slå på

- ◆ Skjut läsknappen (2) bakåt med din tumme och tryck samtidigt på strömbrytaren (1).
- ◆ Släpp läsknappen (2).

Stänga av

- ◆ Släpp strömbrytaren (1).

Varning! Försök aldrig låsa en brytare i påslaget läge.

Beskrining av träd (fig. H)

Ta reda på vad som gäller enligt lokala bestämmelser beträffande beskärning av träd.

Beskrining bör endast utföras av erfarna användare eftersom det föreligger ökad risk för att kedjan (8) nyper och orsakar rekyll.

Innan beskärningen påbörjas bör de omständigheter som påverkar fallriktningen beaktas, t.ex:

- ◆ Längden och vikten på grenen som skall beskäras.
- ◆ Alla ovanligt kraftiga eller murkna grenar.
- ◆ Kringstående träd och hinder, även ovanför marken.
- ◆ Vindhastighet och -riktning.
- ◆ Om grenen är inflättad med andra grenar.

Användaren måste beakta åtkomsten till grenen och fallriktningen. Trädgrenarna kan röra sig mot trädstammen. Utöver användaren löper även omkringstående personer, föremål och egendom nedanför grenen risk att träffas.

För att undvika klyvning görs det första skäret i riktning uppåt och med ett djup på högst 1/3 av grenens diameter. Det andra skäret görs nedåt så att det möter det första.

Lätt klippning (fig. I)

Hur du ska kapa beror på vad stocken vilar på. Om möjligt, använd sågbock. Börja alltid säga med kedjan (8) i gång och med barkstödet liggande mot stocken. Avsluta skäret med en vridrörelse med barkstödet mot stocken.

Om stocken vilar på stöd utmed hela sin längd:

- ◆ Gör ett nedåtriktat skär, men undvik att säga i marken eftersom sågen då snabbt förlorar skärpa. Om stocken vilar på stöd i bägge ändrar:
- ◆ Gör först ett skär nedåt en tredjedel för att undvika klyvning, och sedan ett skär som möter det första. Om stocken vilar på stöd i ena änden:
- ◆ Gör först ett skär uppåt en tredjedel för att undvika klyvning, och sedan ett skär nedåt. Med stocken lutande:

- ◆ Stå alltid vid den övre änden. Om du använder sågbock (fig. 1):
Om möjligt är detta det bästa sättet.
- ◆ Lägg stocken stadigt. Såga alltid utanför bockens ben.
Använd tvingar eller remmar för att hålla stocken på plats.

Rengöring, underhåll och förvaring

Detta BLACK+DECKER-verktyg har konstruerats för att fungera under lång tid med ett minimum av underhåll. Kontinuerlig tillfredsställande drift är beroende av ordentlig verktygsvård och regelbunden rengöring. Laddaren behöver inget annat underhåll än regelbunden rengöring.

Varning! Ta ut batteriet ur verktyget innan du utför något underhåll på verktyget. Dra ur sladden till laddaren innan du rengör den.

Efter användning och innan förvaring

Rengör regelbundet ventilationsöppningarna med en ren och torr målarborste.

Använd bara mild tvål och en fuktig trasa för att rengöra sågen. Låt aldrig någon vätska komma in i verktyget och doppa det aldrig i någon vätska.

- ◆ Avlägsna skräp med en hård borste.
- ◆ Smörj kedjan (8) med olja.

Slipning av kedjan

För att verktyget skall fungera så bra som möjligt är det viktigt att hålla sågtänderna vassa.

Anvisningar återfinns på slipens förpackning. Vi rekommenderar att du köper en slipsats för motorsågar, finns att köpa hos auktoriserade BLACK+DECKER serviceombud och utvalda återförsäljare kat. nr A6039).

Byte av slitna eller skadade sågkedjor och svärd

Ersättningssågkedjor är tillgängliga via återförsäljare och BLACK+DECKER-serviceombud (art nr A6158), ersättningsvärden är endast tillgängliga via BLACK+DECKER-serviceombud (pnr 90517720).

För att undvika risken för skador, använd endast originalkedjor och svärd från BLACK+DECKER. Använd alltid originaldelar.

Kedjans skärpa

Sågtänderna blir genast slöa om de kommer i kontakt med marken eller en spik under sågning.

Kedjespänning

Kontrollera kedjespänningen regelbundet.

Om motorsågen behöver repareras.

Din motorsåg uppfyller alla relevanta säkerhetskrav.

Reparationer skall utföras av kvalificerade personer som använder originaldelar, annars kan användaren utsättas för stor fara. Behåll den här bruksanvisningen och förvara den så att den inte kommer bort.

Förvaring

Du bör låta batteriet (10) sitta kvar i laddaren när sågen inte ska användas under längre tid (månader).

I annat fall gör du följande:

- ◆ Ta ur batteriet (10) från verktyget.
- ◆ Ladda batteriet fullt (10).
- ◆ Förvara verktyget och batteriet (10) på ett säkert och torrt ställe. Temperaturen i förvaringsutrymmet måste alltid ligga mellan +10°C och +40°C. Placera batteriet (10) på en plan yta.
- ◆ Ladda batteriet (10) fullt innan du använder verktyget efter att det legat oanvänt under en längre tid

Miljöskydd



Separat insamling. Produkter och batterier som är markerade med denna symbol får inte kastas i de vanliga hushållssoporna.

Produkter och batterier innehåller material som kan återanvändas eller återvinnas för att minska behovet av råmaterial.

Återvinn elektriska produkter och batterier enligt lokala föreskrifter. Närmare information finns tillgänglig på www.2helpU.com

Tekniska data

GKC1820L 20 typ 3		
Spänning	V _{DC}	18
Kedjehastighet (utan belastning)	m/min	190
Vikt	kg	1,55
Batteri		BL2018
Spänning	V _{DC}	18
Kapacitet	Ah	2,0
Typ		Litiumjon
Laddare		905902**TYPE 1
Inspänning	V _{AC}	100-240
Utspänning	V _{DC}	8-20
Utström	mA	400

Garanterad ljudnivå, uppmätt enligt EN62841:

LpA (NIVÅ ljudtryck) 78 dB(A), osäkerhet (K) 3 dB(A)
LwA (uppmätt ljudeffektnivå) 94 dB(A), osäkerhet (K) 1,9 dB (A)

Totala vibrationsvärden (vektorsumman av tre axlar) enligt EN 62841:

Vibrationsvärde (a_{h1}) = 5,5 m/s², osäkerhet (K) = 1,5 m/s²

EG-försäkran om överensstämmelse MASKINDIREKTIVET



GKC1820L 20 – Kompakt motorsåg

Black & Decker försäkrar att dessa produkter, beskrivna under

"tekniska data" uppfyller: 2006/42/EG,

EN 62841-1:2015+A11:2022, EN 62841-4-1:2020

LWA (uppmätt ljudnivå) 94 dB(A), osäkerhet (K) = 1,9 dB(A),

LWA (garanterad ljudnivå) 96 dB(A)

De här produkterna överensstämmer även med direktiven
2014/30/EU och 2011/65/EU.

Kontakta Black & Decker för ytterligare information på följande
adress, eller se handbokens baksida.

Undertecknad är ansvarig för sammanställningen av tekniska
data och gör denna försäkran för Black & Decker.

Patrick Diepenbach

Patrick Diepenbach
General Manager, Benelux
Black & Decker,
Egide Walschaertsstraat 14-18
2800 Mechelen, Belgien
2022-09-08

Garanti

Black & Decker är säker på kvaliteten hos denna produkt och
erbjuder kunder 24 månaders garanti från inköpsdatumet.

Denna garanti är ett tillägg till dina lagstadgade rättigheter och
påverkar inte dessa på något sätt.

Garantin är giltig i de områden som tillhör medlemsstaterna i
Europeiska unionen, det europeiska frihandelsområdet samt
Storbritannien.

För yrkande under garantin måste yrkandet vara i enlighet
med Black & Deckers villkor och du kommer att behöva skicka
in bevis på köpet till försäljaren eller en auktoriserad reparatör.
Villkoren för Black & Deckers tvååriga garanti och var du hittar
din närmaste auktoriserade reparatör kan erhållas på internet
på www.2helpU.com, eller genom att kontakta ditt lokala
Black & Decker-kontor på adressen som angetts i denna
bruksanvisning.

Besök vår webbplats www.blackanddecker.se för att registrera
din nya BLACK & DECKER-produkt samt för att få information
om nya produkter och specialerbjudanden.

Tiltentk bruk

Din BLACK+DECKER™, GKC1820L 20 kompakta motorsåg
er designet for lett kapping og beskjæring. Dette verktøyet er
bare ment som et forbrukerverktøy.

Sikkerhetsanvisninger

Generelle sikkerhetsadvarsler for elektroverktøy



Advarsel! Les alle sikkerhetsanvisninger, instruksjoner, illustrasjoner og spesifikasjoner som følger dette elektriske verktøyet. Manglende overholdelse av instruksjonene som er listet opp nedenfor kan resultere i elektrosjokk, ild og/eller alvorlig skade.

Ta vare på alle advarsler og instruksjoner for fremtidig bruk. Uttrykket "elektroverktøy" i alle advarslene nedenfor gjelder for strømdrevne elektroverktøy (med ledning) og batteridrevne elektroverktøy (uten ledning).

1. Sikkerhet i arbeidsområdet

- Hold arbeidsområdet rent og godt opplyst.** Rotete eller mørke områder er en invitasjon til ulykker.
- Ikke arbeid med elektroverktøy i eksplosjonsfarlige omgivelser, for eksempel der det finnes seg brennbare væsker, gass eller støv.** Elektrisk verktøy skaper gnister som kan antenne støv eller gasser.
- Hold barn og andre personer unna når du bruker et elektroverktøy.** Distraksjoner kan føre til at du mister kontrollen.

2. Elektrisk sikkerhet

- Støpselet til verktøyet må passe til stikkkontakten. Aldri modifier støpselet på noen måte. Ikke bruk adapterstøpsler til jordede elektriske verktøy.** Umodifiserte støpsler og stikkontakter som passer vil redusere risikoen for elektrisk sjokk.
- Unngå kroppskontakt med jordede overflater som rør, radiatorer, komfyrer og kjøleskap.** Det er økt risiko for elektrisk støt dersom kroppen din er jordnet.
- Ikke utsett elektroverktøy for regn eller fuktighet.** Dersom det kommer vann inn i et elektrisk verktøy vil det øke risikoen for elektrisk sjokk.
- Unngå uforvarlig behandling av ledningen. Aldri bruk ledningen til å bære, trekke eller dra ut støpselet til det elektriske verktøyet. Hold ledningen borte fra varme, olje, skarpe kanter eller bevegelige deler.** Skadede eller innviklede ledninger øker risikoen for elektrisk sjokk.
- Når du bruker et elektroverktøy utendørs, må du bruke en skjøteledning som er egnet til utendørs bruk.**

- Bruk av en skjøteledning beregnet for utendørs bruk reduserer risikoen for elektrisk støt.
- f. **Hvis du ikke kan unngå å bruke elektroverktøy på et fuktig sted, må du bruke en strømforsyning som er beskyttet med jordfeilbryter (RCD).** Bruk av jordfeilbryter (RCD) reduserer risikoen for elektrisk støt.
3. **Personlig sikkerhet**
- a. **Vær oppmerksom, pass på hva du gjør, og vis sunn fornuft når du arbeider med et elektroverktøy. Ikke bruk et elektrisk verktøy dersom du er trøtt eller er påvirket av medikamenter, narkotika eller alkohol.** Ett øyeblikks uoppmerksomhet under bruk av elektriske verktøy kan føre til alvorlig personskade.
- b. **Bruk personlig verneutstyr. Bruk alltid vernerbriller.** Verneutstyr slik som støvmaske, sklisikre vernesko, hjelm eller hørselsvern brukt under passende forhold vil redusere personskader.
- c. **Forhindre utilsiktet start. Kontroller at bryteren står i posisjon «av» før du kobler til strømkilden og/eller batteripakken, og før du tar opp eller bærer verktøyet.** Å bære elektriske verktøy med fingrene på bryteren eller å sette inn støpselet mens elektriske verktøy har bryteren på øker faren for ulykker.
- d. **Fjern eventuelt innstillingsverktøy eller skruverktøy før du slår på elektroverktøyet.** Et skruverktøy eller en nøkkel som fortsatt er festet til en roterende del av elektroverktøyet, kan føre til personskade.
- e. **Ikke strekk deg for langt. Ha godt fotfeste og stå støtt hele tiden.** Dette fører til at du har bedre kontroll over det elektriske verktøyet ved uventede situasjoner.
- f. **Bruk egnede klær. Ikke ha på deg løstsittende klær eller smykker. Hold hår, antrekk og hansker borte fra bevegelige deler.** Løstsittende klær, smykker og langt hår kan bli fanget opp av bevegelige deler.
- g. **Hvis det kan monteres støvavsug- og oppsamlingsinnretninger, må du forvise deg om at disse er tilkoblet og brukes på riktig måte.** Bruk av støvoppsamlere kan redusere støvrelaterte farer.
- h. **Ikke la erfaring med hyppig bruk av verktøy la deg bli likegyldig og ignorere verktøyets sikkerhetsregler.** En uforsiktig handling kan føre til alvorlig personskade på brokdelen av et sekund.
4. **Bruk og stell av elektriske verktøy**
- a. **Ikke bruk makt på elektroverktøyet. Bruk det elektriske verktøyet som situasjonen krever.** Det riktige elektriske verktøyet vil gjøre jobben bedre og tryggere ved den hastigheten det ble konstruert for.
- b. **Ikke bruk elektroverktøyet hvis du ikke kan slå det på og av med bryteren.** Ethvert elektrisk verktøy som ikke kan kontrolleres med bryteren er farlig og må repareres.
- c. **Trekk støpselet ut av stikkkontakten og/eller koble fra batteripakken på elektroverktøyet før du utfører innstillinger, bytter tilbehør eller legger elektroverktøyet bort for lagring.** Slike preventive sikkerhetsforanstaltninger reduserer risikoen for å starte det elektriske verktøyet ved et uhell.
- d. **Elektroverktøy som ikke er i bruk, må oppbevares utilgjengelig for barn. Ikke la verktøyet bli brukt av personer som ikke er fortlørlige med det, eller som ikke kjenner disse instruksjonene.** Elektriske verktøy er farlige i hendene på utrenede brukere.
- e. **Sørg for vedlikehold av elektroverktøy. Undersøk om bevegelige deler er feiljustert eller blokkert, om deler er skadet, og om det er andre forhold som kan påvirke elektroverktøyets funksjon.** Dersom det er skadet, få verktøyet reparert før neste bruk. Mange ulykker forårsakes av dårlig vedlikeholdte verktøy.
- f. **Hold skjæreverktøy skarpe og rene.** Godt vedlikeholdte skjæreverktøy med skarpe skjærekanter setter seg mindre sannsynlig fast og er lettere å kontrollere.
- g. **Bruk elektroverktøy, tilbehør, bor osv. i henhold til disse instruksjonene. Ta hensyn til arbeidsforholdene og arbeidet som skal utføres.** Bruk av det elektriske verktøyet for oppgaver som er forskjellige fra de som er tiltenkt kan føre til en farlig situasjon.
- h. **Hold håndtakene og gripeflatene tørre, rene og frie for olje og fett. Glatte håndtak og gripeflater forhindrer trygge håndtering og kontroll av verktøyet i uventede situasjoner.**
5. **Bruk og stell av batteriverktøy**
- a. **Ladningen skal bare skje med den laderen som produsenten har spesifisert.** En lader som passer for en type batteripakke kan føre til risiko for brann dersom den brukes på en annen batteripakke.
- b. **Bruk elektroverktøy bare sammen med spesifikt angitte batteripakker.** Bruk av andre batteripakker kan føre til risiko for personskade og brann.
- c. **Når batteripakken ikke er i bruk, må du oppbevare den atskilt fra andre metallgjenstander som binders, mynter, nøkler, spiker, skruer eller andre små metallgjenstander som kan opprette en forbindelse fra en terminal til en annen.** Kortslutning av batteripolene mot hverandre kan føre til brannskader eller brann.
- d. **Ved feilaktig bruk kan det komme væske ut av batteriet, unngå kontakt med den. Dersom du kommer i kontakt med den, skylt av med vann. Dersom du får væsken i øynene, søk legehjelp.** Væske som kommer ut av batteriet kan føre til irritasjon eller brannskader.
- e. **Batteripakke eller verktøy som er skadet eller modifisert skal ikke brukes.** Batterier som er skadet eller modifisert kan ha uventet oppførsel og føre til brann, eksplosjon eller personskader.

- f. **Batteripakken skal ikke utsettes for brann eller for høy temperatur.** Ild eller temperatur over 130 °C kan føre til en eksplosjon. MERK: Temperaturen "130 °C" kan erstattes av temperaturen "265 °F".
- g. **Følg alle ladeinstrukser og ikke lade batteripakken eller verktøyet utenfor temperaturområdet som angitt i bruksanvisningen.** Feil lading eller ved temperaturer utenfor det angitt området kan skade batteriet og øke faren for brann.

6. Service

- a. **Elektroverktøyet skal repareres av kvalifisert personell og bare med originale reservedeler.** Dette vil sikre at verktøyets sikkerhet blir ivarettatt.
- b. **Skadede batteripakker skal aldri repareres.** Service på batteripakker skal kun utføres av produsenten eller autoriserte serviceverksteder (kun for batteriverktøy).

Generelle sikkerhetsadvarsler for motorsager



Advarsel! Ytterligere sikkerhetsadvarsler for motorsager

- ◆ **Hold alle deler av kroppen unna kjedet mens motorsagen er i bruk. Før du starter motorsagen, må du passe på at sagkjedet ikke er i kontakt med noe.** Et øyeblikks uoppmerksomhet under bruk av motorsagen kan føre til at klesplagg eller kroppsdeler vikles inn i motorsagen.
- ◆ **Hold alltid motorsagen med høyre hånd på bakre håndtak og venstre hånd på fremre håndtak.** Hvis motorsagen holdes på en motsatt måte, øker risikoen for personskade. Hold derfor alltid motorsagen som anbefalt.
- ◆ **Hold motorsagen bare i de isolerte gripeflatene, fordi motorsagen kan komme i kontakt med skjulte ledninger.** Hvis motorsager kommer i kontakt med en strømførende ledning, kan frittliggende metaldeler på saken bli strømførende, og brukeren kan få elektrisk støt.
- ◆ **Bruk vernebriller. Annet personlig verneutstyr for hørsel, hode, hender, bein og føtter anbefales.** Tilstrekkelig verneutstyr vil redusere personskade fra flyvende rusk eller utilsikket kontakt med sagkjedet.
- ◆ **Du må ikke bruke motorsagen når du er oppe i et tre, på en stige, på taket eller på en annen ustabil støtte.** Betjening av motorsagen på denne måten kan resultere i en alvorlig personskade.
- ◆ **Pass på at du alltid har et sikkert fotfeste. Bruk motorsagen bare når du står på et fast, sikkert og plant underlag.** Glatte eller ustabile overflater, for eksempel stiger, kan føre til at man mister balansen og kontrollen over motorsagen.
- ◆ **Når du kutter en gren som står i spenn, må du være oppmerksom på at den kan slå mot deg.**

Når spennet i trefibrene frigjøres, kan grenen treffe operatøren og/eller slå motorsagen ut av kontroll.

- ◆ **Vær svært forsiktig ved kutting av kratt og busker.** Tynt materiale kan bli fanget i sagkjedet og bli slengt mot deg eller rykke deg ut av balanse.
- ◆ **Motorsagen bæres etter fronthåndtaket, og skal være slått av og vendt bort fra kroppen. Ved transport eller oppbevaring av motorsagen skal dekslet for sverdet alltid være påmontert.** Riktig håndtering av motorsagen vil gi redusert sannsynlighet for utilsikket kontakt med sagkjedet i bevegelse.
- ◆ **Følg anvisningene for smøring, kjedespenning og utskifting av tilbehør.** Et kjede som ikke er strammet eller smurt på riktig måte, kan gå i stykker eller øke faren for tilbakeslag
- ◆ **Kutt bare i tre. Ikke bruk motorsagen til oppgaver den ikke er beregnet for. For eksempel: Ikke bruk motorsagen til å kutte plast, murverk eller byggematerialer som ikke er av tre.** Bruk av motorsagen til andre formål enn det som er angitt, kan føre til farlige situasjoner.
- ◆ **Denne motorsagen er ikke beregnet for trefelling. Bruk av motorsagen til andre formål enn tiltenkt, kan føre til alvorlige skader på operatøren eller tilskuere.**
- ◆ **Følg alle instruksjonene når du fjerner materiale som sitter fast, lagrer eller ved utføring av service av motorsagen. Pass på at bryteren er av og batteripakken tatt av. Uventet oppstart av motorsagen når du fjerner materiale som sitter fast eller når du utfører service, kan resultere i alvorlig personskade.**

Ytterligere sikkerhetsadvarsler for elektroverktøy



Advarsel! Ytterligere sikkerhetsadvarsler for kompakte motorsager.

Bruksområdet er beskrevet i denne bruksanvisningen. Ikke bruk verktøyet til formål det ikke er beregnet for. For eksempel skal du ikke bruke verktøyet til å felle trær. Bruk av noe tilbehør eller ekstrautstyr, eller andre operasjoner med dette verktøy, annet enn det som er beskrevet i denne bruksanvisningen, kan gi risiko for personskader.

- ◆ **Bruk tettsittende og beskyttende klær og hjelm med visir/vernebriller, hørselvern, sklisikkert fotføy, beskyttende snekkerbukser og kraftige lærhansker.**
- ◆ **Plasser deg alltid slik at du ikke står der grenen faller ned.**
- ◆ **Trygg avstand mellom grener som skal kuttes og personer, bygninger og andre gjenstander, er minst 2,5 ganger grenens lengde. Eventuelle personer, bygninger eller gjenstander innenfor denne avstanden risikerer å bli truffet av den fallende grenen.**
- ◆ **Før felling av trær må du planlegge en sikker vei bort fra det fallende treet eller grenene.**

Kontroller at det ikke er hindringer i veien som kan føre til at du ikke kommer deg unna. Husk at vått gress og nylig kuttet bark er glatt.

- ◆ Pass på at det er noen andre i nærheten (men på sikker avstand) i tilfelle uhell.
- ◆ Du må ikke bruke verktøyet når du står i et tre, på en stige eller på noen annen ustabil overflate.
- ◆ Ha godt fotfeste og stå støtt hele tiden.
- ◆ Hold verktøyet fast med begge hender når motoren er i gang.
- ◆ En kjede i bevegelse må ikke komme i kontakt med noen gjenstander ytterst på sverdet.
- ◆ Begynn med kuttingen først når kjeden beveger seg med full hastighet.
- ◆ Ikke forsøk å skjære i et tidligere kutt. Lag alltid et nytt kutt.
- ◆ Se etter bevegelige grener eller andre krefter som kan avbryte en kutting, klemme kjeden eller falle ned på den.
- ◆ Forsøk ikke å kutte en gren med diameter som er større enn verktøyet's sagelengde.
- ◆ Ta alltid batteriet ut av verktøyet, og sett kjededekselet over kjeden når du oppbevarer eller transporterer verktøyet.
- ◆ Hold sagkjedet skarpt og tilstrekkelig strammet. Sjøkk strammingen regelmessig.
- ◆ Slå av verktøyet, la kjeden stoppe, og ta ut batteriet av verktøyet før du utfører justering, behandling eller vedlikehold.
- ◆ Bruk bare originalreservedeler og -tilbehør.
- ◆ **Hold håndtakene tørre, rene og fri for olje og fett.** Håndtak med fett eller olje er glatte og kan forårsake at du mister kontrollen.
- ◆ **Barkstøten kan bli skarp i produktets levetid. Behandle den med varsomhet.**
- ◆ **Mens du håndterer produktet, kan sverdet bli varmt. Behandle det med varsomhet.**

Årsaker til tilbakeslag og hvordan operatøren forhindrer dette

Tilbakeslag kan forekomme når spissen på sverdet kommer i kontakt med en gjenstand, eller når treverket "lukker seg" og kniper fast sagkjedet.

Når spissen kommer i kontakt med en gjenstand, kan det plutselig oppstå en motsatt reaksjon, som fører til at sverdet slås opp og bakover mot operatøren.

Hvis kjedet knipes fast langs øvre kant av sverdet, kan sverdet bli skjøvet fort bakover mot operatøren.

Begge disse reaksjonene kan føre til at du mister kontrollen over motorsagen, slik at det oppstår alvorlig personskade. Ikke stol blindt på motorsagens innebygde sikkerhetsinnretninger. Som bruker er det ditt ansvar å ta nødvendige forholdsregler for å unngå uhell og skader.

Tilbakeslag er et resultat av feil bruk av verktøyet og/eller feil brukerprosedyrer eller forhold, og kan unngås ved å ta riktige forholdsregler som forklart under:

- ◆ **Sørg for at du holder godt fast i sagen, med tommel og fingrer rundt håndtakene. Hold sagen med begge hender, og stå med kroppen og armene slik at du kan motstå tilbakeslagskrefter.** Tilbakeslagskrefter kan beherskes av operatøren hvis riktige forholdsregler tas. Ikke slipp tak i motorsagen.
- ◆ **Ikke strekk deg for langt, og ikke bruk sagen over skulderhøyde.** På denne måten kan du unngå utilsiktet kontakt mellom spissen og gjenstander, og få bedre kontroll over motorsagen i uventede situasjoner.
- ◆ **Bruk bare erstatningssverd og -kjeder som produsenten har angitt.** Bruk av feil erstatningssverd og -kjeder kan føre til kjedebrudd og/eller tilbakeslag.
- ◆ **Følg produsentens anvisninger for sliping og vedlikehold av sagkjedet.** Lavere dybdemålerhøyde kan føre til mer tilbakeslag.

Anbefalte sikkerhetstiltak for motorsag

- ◆ Vi anbefaler på det sterkeste at personer som bruker motorsag for første gang, får praktisk veiledning i bruk av sagen og personlig verneutstyr fra en erfaren bruker. Øvelsen bør bestå i å sage ved på en sagkrakk eller en annen form for holder.
- ◆ Vi anbefaler at du når du bærer motorsagen fjerner batteriet og sørger for at bremsen er på og sagkjedet vender bakover.
- ◆ Hold kjedesagen i god stand når den ikke er i bruk. Ikke oppbevar motorsagen i lang tid uten først å fjerne kjedet og sverdet, som skal oppbevares nedsenket i olje. Lagre alle motorsagdelene på et tørt og sikkert sted utilgjengelig for barn.
- ◆ Vi anbefaler også å tappe oljen ut av oljetanken før sagen settes til oppbevaring.
- ◆ Sørg for å ha godt fotfeste, og ha alltid planlagt en sikker vei vekk fra stedet i tilfelle av fallende trær eller grener.
- ◆ Bruk kiler for å kontrollere bevegelsen til treet og forhindre at kjedet og sverdet blokkeres i treet.
- ◆ Vedlikehold av kjedet. Hold kjedet skarpt, og sørg for at det sitter tett rundt sverdet. Sørg for at kjedet og sverdet er rent og godt smurt med olje. Hold håndtakene tørre, rene og frie for olje og fett.

Tilbakeslag kan forårsakes av:

- ◆ At du utilsiktet kommer borti grener eller andre gjenstander med spissen av sagen mens kjedet er i bevegelse.
- ◆ At du kommer borti metall, sement eller annet hardt materiale i nærheten av trevirket, eller som er skjult i trevirket.
- ◆ Et sløvt eller løst kjede.

- ◆ At du sager over skulderhøyde.
- ◆ At du ikke er oppmerksom nok når du holder i eller fører motorsag under saging.
- ◆ At du strekker deg for langt. Pass på at du alltid har sikkert fotfeste og god balanse, og ikke strekk deg for langt.
- ◆ Ikke sett sagen inn i et tidligere laget kutt. Det kan føre til tilbakeslag. Lag et nytt kutt hver gang.
- ◆ Vi anbefaler på det sterkeste at du ikke bruker motorsagen mens du står i et tre, på en stige eller på andre ustabile underlag. Hvis du likevel bestemmer deg for dette, må du være oppmerksom på at slike stillinger er ekstremt farlige.
- ◆ Når du sager en gren som er spent, må du være oppmerksom på at den kan kastes tilbake, slik at den ikke slår borti deg når spenningen forsvinner.

Unngå å sage:

- ◆ Bearbeidet tømmer.
- ◆ I bakken.
- ◆ I ståltrådgjerd, spiker osv.
- ◆ I kratt og busker, fordi kvister og lignende kan komme inn i kjedet og slenges mot deg eller gjøre at du mister balansen.
- ◆ Ikke bruk motorsagen over skulderhøyde.
- ◆ Pass på at det er noen andre i nærheten (men på sikker avstand) i tilfelle uhell.
- ◆ Hvis du av en eller annen grunn må berøre sagkjedet, sørg for at motorsagen er slått av og batteriet er fjernet.
- ◆ Støyen fra dette produktet kan overskride 80 dB(A). Vi anbefaler derfor at du bruker egnet hørselvern

Andre risikoer.

Når verktøyet brukes, kan det oppstå ytterligere risikoer som kanskje ikke er beskrevet i de medfølgende sikkerhetsadvarslene. Disse risikoene kan bli forårsaket av feil bruk, langvarig bruk osv.

Selv om de relevante sikkerhetsbestemmelsene blir fulgt, og sikkerhetstiltakene blir gjennomført, kan visse gjenværende risikoer ikke unngås. Disse inkluderer:

- ◆ Personskader som forårsakes av berøring av en roterende/bevegelig del.
- ◆ Personskader som forårsakes av at en del, et blad eller tilbehør endres.
- ◆ Personskader som forårsakes av langvarig bruk av apparatet. Når du bruker et verktøy i lange perioder, må du sørge for å ta regelmessige pauser.
- ◆ Hørselskader.
- ◆ Helsefare som skyldes innånding av støv som dannes når du bruker verktøyet (for eksempel under arbeid med tre, spesielt eik, bøk og MDF.)

Vibrasjon

Vibrasjonsemisjonsverdiene og støynivåene som er angitt under tekniske data og samsvarserklæring, er blitt målt i henhold til en standard testmetode som er angitt i EN 62841, og kan brukes til å sammenligne et verktøy med et annet. Den oppgitte vibrasjonsemisjonsverdien og støynivåene kan også brukes til en foreløpig vurdering av eksponering.

Advarsel! Vibrasjonsemisjonsverdien og støynivåene under faktisk bruk av elektroverktøyet kan avvike fra den oppgitte verdien avhengig av måten verktøyet blir brukt på. Vibrasjonsnivået kan øke over nivået som er oppgitt.

Når det vurderes vibrasjonseksponering for å avgjøre hvilke sikkerhetstiltak som kreves ifølge 2002/44/EF, for å beskytte personer som bruker elektroverktøy regelmessig til arbeidsformål, skal det, når vibrasjonseksponeringen anslås, tas hensyn til de faktiske bruksforholdene og måten verktøyet blir brukt på. Dette inkluderer å ta hensyn til alle deler av brukssyklusen, for eksempel når verktøyet er avslått, når det går på tomgang og når utløseren er trykket inn.

Etiketter på verktøyet

Følgende symboler vises på verktøyet sammen med datokoden:



Advarsel! Brukeren må lese håndboken for å redusere risikoen for personskade.



Ikke bruk sagen i våte omgivelser, ikke la den utsettes for regn.



Bruk alltid hodebeskyttelse, hørselsvern og beskyttelsesbriller.



Bruk alltid hansker.



Bruk alltid sklisikkert fotføy.



Hold alltid motorsagen med begge hender.



Vær oppmerksom på tilbakeslag av motorsagen og unngå kontakt med tuppen av sverdet.



Ikke bruk motorsagen med bare en hånd.



Vær oppmerksom på fallende gjenstander.
Hold andre personer unna



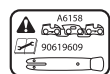
Du sikrer kontinuerlig sikker bruk ved å kontrollere kjedestrammingen hvert 10. minutt og justere tilbake til klaring på 3 mm etter behov – som beskrevet i denne bruksanvisningen. Smør kjedet med olje hvert 10. minutt under bruk.



Advarsel! Ikke berør kjedet ved sponutslippspunktet



Kjedens bevegelsesretning.



Kjeden og sverdet må bare erstattes med originale BLACK & DECKER-deler for å sikre varig trygg drift. Reservekjeden har delenummer A6158 og reservesverdet 90619609.



Skru verktøyet av. Før du utfører vedlikehold på verktøyet, må du fjerne batteriet fra verktøyet.



Direktiv 2000/14/EF garantert lydnivå.

Ytterligere sikkerhetsinstruksjoner for batterier og ladere

Batterier

- ◆ Forsøk aldri å åpne av noen årsak.
- ◆ Ikke utsett batteriet for vann.
- ◆ Ikke utsett batteriet for varme.
- ◆ Ikke oppbevar det på steder hvor temperaturen kan komme over 40 °C.
- ◆ Skal bare lades ved omgivelsestemperaturer mellom 10 °C og 40 °C.
- ◆ Bruk bare ladere av typen som følger med apparatet/verktøyet. Hvis du bruker feil lader, kan dette føre til et elektrisk støt eller at batteriet overopphetes.
- ◆ Følg instruksene som finnes i avsnittet "Miljø" når du skal kaste batterier.
- ◆ Ikke skad eller deformer batteripakken ved punktering eller støt, da dette kan føre til risiko for personskade og brann.
- ◆ Ikke lad skadede batterier.

Under ekstreme forhold kan batterilekkasje forekomme. Hvis du oppdager at det er væske på batteriene, tørker du bort væsken forsiktig med en klut. Unngå kontakt med huden.

Hvis væsken kommer i kontakt med huden eller øynene, følger du instruksjonene under.

Advarsel! Batterivæsken kan føre til personskade eller skade på eiendom. Ved hudkontakt skyller du umiddelbart med vann. Hvis huden blir rød eller irritert eller smerter inntreffer, søk øyeblikkelig medisinsk hjelp. Hvis væsken kommer i kontakt med øynene, skyller du umiddelbart med rent vann og søker øyeblikkelig medisinsk hjelp.

Ladere

Advarsel! Laderen er konstruert for en bestemt spenning. Kontroller alltid at nettspenningen er i overensstemmelse med spenningen på typeskiltet.

Advarsel! Ikke skift ut laderen med et vanlig nettstøpsel.

- ◆ BLACK+DECKER-laderen skal bare brukes til å lade batteriet i maskinen/verktøyet som laderen kom sammen med. Andre batterier kan sprekke og føre til personskade og materiell skade.
- ◆ Prøv aldri å lade ikke-oppladbare batterier.
- ◆ Hvis strømledningen blir skadet, må den byttes av produsenten eller et autorisert BLACK+DECKER-servicesenter for å unngå fare.
- ◆ Ikke utsett laderen for vann.
- ◆ Ikke åpne laderen.
- ◆ Ikke stikk gjenstander eller fingre inn i laderen.
- ◆ Laderen må plasseres på et sted med god gjennomlufting når det lades.

Symboler på laderen

Du finner følgende symboler på laderen:



Laderen er bare beregnet for innendørs bruk.



Les denne håndboken før bruk.

Elektrisk sikkerhet



Denne laderen er dobbeltisolert. Jording er derfor ikke nødvendig. Kontroller alltid at nettspenningen er i overensstemmelse med spenningen på typeskiltet. Ikke skift ut laderen med et vanlig nettstøpsel.

- ◆ Hvis strømledningen blir skadet, må den byttes av produsenten eller et autorisert BLACK+DECKER-servicesenter for å unngå fare.

Funksjoner

1. På-/av-bryter
2. Låseknapp
3. Oljelokk
4. Oljetank

5. Montering av frontvern
6. Kjededekselenhet
7. Justeringsskrue for kjedestrømning
8. Kjede
9. Sverd
10. Batteri
11. Sverdbeskyttelse
12. Lader

Montering

Advarsel! Fjern batteriet (10) fra verktøyet før montering.

Sette inn og ta ut batteriet (figur A)

- ◆ Når du skal sette inn batteriet (10), holder du det på linje med kontakten på verktøyet. Skyv batteriet (10) inn i kontakten, og skyv til batteriet (10) klikker på plass.
- ◆ Når du skal ta ut batteriet (10), trykker du på utløserknappen (24) og trekker samtidig batteriet (10) ut av kontakten.

Advarsel! For å forebygge oppstart ved et uhell må du passe på at batteriet er tatt ut og sverdbeskyttelsen (11) er satt på kjedet (8) før du utfører de følgende aktivitetene. Hvis du ikke gjør dette, kan det føre til alvorlig personskade.

Ladning av batteriet (figur B)

Batteriet må lades før første gang det brukes, og hver gang det ikke lenger gir nok strøm til oppgaver som tidligere ble utført uten problemer. Batteriet kan bli varmt under lading. Dette er normalt og innebærer ikke feil.

Advarsel! Ikke lad batteriet ved omgivelsestemperaturer under 10 °C eller over 40 °C. Anbefalt ladetemperatur er ca. 24 °C.

Merk: Laderen vil ikke lade en batteripakke hvis celledemperaturen er under ca. 10 °C eller over 40 °C.

Batteripakken bør stå i laderen, og laderen begynner å lade automatisk når celledemperaturen blir høyere eller lavere.

- ◆ Når du skal lade batteriet (10), setter du det inn i laderen (12). Batteriet passer kun inn i laderen på én måte. Ikke bruk kraft. Pass på at batteriet sitter helt inne i laderen.

- ◆ Plugg i laderen og slå på ved å koble til nettstrøm.

Ladeindikatoren (23) vil blinke.

Ladingen er fullført når ladeindikatoren (23) lyser kontinuerlig.

Laderen og batteriet kan stå tilkoblet så lenge du måtte ønske. LED-lampen tennes når laderen av og til "fyller på" batteriladningen.

- ◆ Lad utladede batterier innen 1 uke. Batterienes levetid blir mye kortere hvis de oppbevares utladet.

La batteriet være i laderen

Laderen og batteripakken kan forbli tilkoblet med lysende lampe i ubegrenset tid. Laderen holder batteripakken fulladet og klar til bruk.

Sette på og ta av sagkjeden (figur C–E, G)



Bruk alltid vernehansker når du setter inn eller tar ut sagkjeden (8). Sagkjeden er skarp og kan kutte deg selv om den ikke er i bevegelse.

- ◆ Sett verktøyet på en fast og stabil overflate.
- ◆ Løsne de to unbrakonøkklene (14) ved hjelp av unbrakonøkkelen (21) som følger med. Ta ut unbrakonøkklene (14).
- ◆ Ta bort kjededekselenheten (6).
- ◆ Vri justeringsskruen for kjedestrømningen (7) mot klokken for å la sverdet (9) trekke seg tilbake og for å redusere spenningen på sagkjedet (8).
- ◆ Fjern den gamle sagkjeden (8) fra tannhullet (15) og sverdet (9).
- ◆ Plasser den nye sagkjeden (8) i sporet på sverdet (9) og rundt (15) tannhullet. Pass på at tennene vender i riktig retning ved å matche pilen på sagkjedet (8) med pilen på kjededekselet (6).
- ◆ Pass på at sporet (17) i sverdet (9) er over styrepinnene (18), og at hullet (20) under sporet er plassert over justeringspinnen (19).
- ◆ Monter kjededekselet (6) og de 2 umbraconskruene (14).
- ◆ Trekk til de to unbrakonøkklene (14) ved hjelp av unbrakonøkkelen (21) som følger med.
- ◆ Juster kjedestrømningen som beskrevet nedenfor.

Kontrollere og justere kjedespenn (figur C–F)

- ◆ Kontroller kjedestrømningen. Strømningen er korrekt når kjedet (8) spretter tilbake på plass når den blir trukket 3 mm ut fra sverdet (9) ved bruk av liten kraft med langfingeren og tommelen. Det skal ikke være noe "heng" mellom sverdet (9) og sagkjedet (8) på undersiden.

Slik justerer du strømningen:

- ◆ Løsne de to unbrakonøkklene (14).
- ◆ Drei justeringsskruen (7) for kjedespenn med klokken.

Advarsel! Ikke stram kjeden for mye, da dette vil føre til for stor slitasje, noe som reduserer levetiden for sverdet og kjeden.

- ◆ Når kjedestrømningen er korrekt, skrur du til de to unbrakonøkklene (14).

Advarsel! Når kjeden er ny, må du kontrollere strømningen ofte de to første timene du bruker den, da en ny kjede strekker seg litt.

Fyll oljetanken (fig. G)

- ◆ Fjern oljelokket (3), og fyll oljetanken (4) med anbefalt kjedeolje. Du kan se oljenivået i oljetanken (4). Sett på plass oljelokket (3) igjen.

- ◆ Slå av apparatet og kontroller indikatoren for oljenivå regelmessig; hvis tanken er mindre enn kvart full, tar du ut batteriet (10) fra verktøyet og fyller på tanken (4) med riktig olje.

Oljing av kjedet (fig. G)

Sagkjeden (8) må smøres før hver gangs bruk og etter rengjøring. Bruk bare korrekt oljetype (katalognummer A6027).

- ◆ Smør sagkjedet (8) ved å trykke pæren på oljelokket (3) to ganger før hvert kutt, og hold pæren nede i 3-4 sekunder.

Bruk

Slå på og av (figur G)

Advarsel! La verktøyet arbeide i sin egen hastighet. Ikke overbelast.

Av hensyn til din sikkerhet er dette verktøyet utstyrt med et dobbelt brytersystem. Dette systemet hindrer at verktøyet startes ved et uhell.

Slå på

- ◆ Trykk på utløseknappen (2) og klem samtidig på strømbryteren (1).
- ◆ Slipp utløseknappen (2).

Slå av

- ◆ Slipp av/p?-knappen (1).

Advarsel! Ikke prøv å låse en bryter i stilling PÅ.

Beskjæring av trær (fig. H)

Undersøk at det ikke er noen lokale lover eller bestemmelser som forbyr eller styrer beskjæring av tregrener.

Beskjæring bør bare utføres av erfarne brukere, da det er økt fare for fastklemming av kjedet (8) og tilbakeslag.

Før beskjæringen starter, er det viktig å vurdere forhold som kan få innvirkning på fallretningen, for eksempel:

- ◆ Lengden og vekten av den grenen som skal sages av.
- ◆ Eventuelle uvanlig tunge grener eller råtnede deler.
- ◆ Trær i nærheten og andre hindringer, også i luften.
- ◆ Vindstyrke og -retning.
- ◆ Om grenen er tvunnet sammen med andre grener.

Operatøren må vurdere tilgangen til tregrenen og fallretningen. Grenen vil kunne falle inn mot trestammen. I tillegg til brukeren vil tilskuere, gjenstander og eiendeler under grenen kunne bli utsatt for skade.

For å unngå oppflising lages det første kuttet oppover, inn til en maksimumsdybde på en tredjedel av grenens diameter.

Det andre kuttet lages nedover og slik at det treffer det første.

Lett skjæring (fig. I)

Hvordan du skal kutte, avhenger av hvordan stokken er støttet opp. Bruk en sagkrakk når dette er mulig.

Start alltid sagingen med sagkjedet (8) i gang og med barkstøtten i kontakt med treet. For å fullføre kuttet vipper du barkstøtten mot stokken.

Når stokken er støttet i hele sin lengde:

- ◆ Lag et kutt nedover, men unngå å sage i jorden, ettersom det vil føre til at sagkjedet blir sløvt veldig fort.

Når stokken er støttet i begge ender:

- ◆ Først kutter du en tredjedel nedover for å unngå oppsplintring, og deretter kutter du igjen for å møte det første kuttet.

Når stokken er støttet i én ende:

- ◆ Først kutter du en tredjedel opp for å unngå oppsplintring, og deretter kutter du ned for å unngå oppsplintring.

I en helling:

- ◆ Stå alltid på oversiden. Ved bruk av sagkrakk (figur I): Om mulig er dette den beste måten.
- ◆ Plasser trevirket i en stabil posisjon. Kutt alltid på utsiden av sagkrakkarmene. Bruk klemmer eller stropper for å sikre arbeidsemnet.

Rengjøring, vedlikehold og oppbevaring

BLACK+DECKER-verktøyet ditt er konstruert for å være i drift over lengre tid med et minimum av vedlikehold.

For at det skal fungere tilfredsstillende over tid, er det viktig å sørge for riktig stell av verktøyet og regelmessig renhold.

Laderen krever ikke annet vedlikehold enn regelmessig rengjøring.

Advarsel! Før du utfører vedlikehold på verktøyet, må du fjerne batteriet fra verktøyet. Trekk ut laderen fra stikkkontakten før du rengjør den.

Etter bruk og før oppbevaring

Rengjør ventilasjonssporene regelmessig med en ren, tørr malerkost.

Rengjør verktøyet bare med mild såpe og en fuktig klut. La det aldri komme væske inn i verktøyet og senk aldri noen deler av verktøyet ned i væske.

- ◆ Fjern rusk med en hard børste.
- ◆ Smør kjeden (8) med olje.

Slipe kjedet

Hvis du vil ha best mulig ytelse fra verktøyet, er det viktig å holde kjedetennene skarpe.

Du finner mer informasjon om dette i skjerpesettet. For dette anbefaler vi at du kjøper BLACK+ DECKER skjerpesett for kjeder, fås hos ditt BLACK+ DECKER-serviceverksted (kat. nr. A6039).

Bytte ut slitte eller skadede sagkjeder og sverd

Erstatningskjeder er tilgjengelige gjennom forhandlere og BLACK+DECKER-serviceverksteder (nr. A6158), erstatningssverd er kun tilgjengelig gjennom BLACK+DECKER-serviceverksteder (nr. 90517720).

For å unngå fare for skade, bruk kun originale kjeder og sverd fra BLACK+DECKER. Bruk alltid originale reservedeler.

Kjedekarphet

Sagetennene på kjedet vil bli sløve med en gang hvis de berører bakken eller en spiker under bruk.

Sagkjedestramming

Sjekk sagkjedestrammingen regelmessig.

Hva som skal gjøres hvis motorsagen må repareres.

Dette verktøyet oppfyller relevante sikkerhetskrav.

Reparasjoner må bare utføres av en kvalifisert person som benytter originale reservedeler, ellers kan det være svært farlig for brukeren. Vi anbefaler at du oppbevarer denne bruksanvisningen på et sikkert sted.

Lagring

Når verktøyet ikke skal brukes på flere måneder, skal helst batteriet (10) være koblet til laderen.

Ellers går du frem slik:

- ◆ Fjern batteriet (10) fra verktøyet.
- ◆ Lad batteriet (10) fullstendig.
- ◆ Oppbevar verktøyet og batteriet (10) på et sikkert og tørt sted. Oppbevaringstemperaturen må alltid være mellom +10 °C og +40 °C. Plasser batteriet (10) på et plant sted.
- ◆ Før du bruker verktøyet etter lang tids oppbevaring, lader du batteriet (10) fullstendig igjen

Miljøvern



Separat avfallshåndtering. Produkter og batterier merket med dette symbolet skal ikke kastes i vanlig husholdningsavfall.

Produkter og batterier inneholder materialer som kan gjenbrukes eller gjenvinnes for å redusere behovet for nye råmaterialer.

Vennligst lever elektrisk utstyr og batterier til gjenbruk i henhold til lokale retningslinjer. Mer informasjon finner du på www.2helpU.com

Tekniske data

GKC1820L 20 Type 3		
Spennning	V _{DC}	18
Kjedehastighet (uten belastning)	m/min	190
Vekt	kg	1,55
Batteri		BL2018
Spennning	V _{DC}	18
Kapasitet	Ah	2.0
Type		Li-Ion

GKC1820L 20 Type 3		
Lader	905902™TYPE 1	
Inngangsspenning	V _{AC}	100–240
Utgangsspenning	V _{DC}	8–20
Utgangsstrøm	mA	400

Garantert lydtryknivå målt i henhold til EN62841:

L_{pA} (avgitt lydtrykk) 78 dB(A), usikkerhet (K) 3 dB(A)
L_{wA} (målt lydeffektivnivå) 94 dB(A), usikkerhet (K) 1,9 dB (A)

Totale vibrasjonsverdier (vektorsum fra tre retninger) bestemt i samsvar med EN 62841:

Vibrasjonsemissionsverdi (a_{hv}) = 5,5 m/s², usikkerhet (K) = 1,5 m/s²

EU-samsvarserklæring

MASKINDIREKTIVET



GKC1820L 20 – Kompakt motorsag

Black & Decker erklærer at disse produktene, som er beskrevet under "Tekniske data", er i samsvar med: 2006/42/EF,

EN 62841-1:2015+A11:2022, EN 62841-4-1:2020
LWA (målt lydeffektivnivå) 94 dB(A), usikkerhet (K) = 1,9 dB (A),
LWA (garantert lydeffekt) 96 dB(A)

Disse produktene er også i samsvar med direktiv 2014/30/EU og 2011/65/EU.

For mer informasjon, kontakt Black & Decker på adressen under eller se baksiden av bruksanvisningen. Undertegnede er ansvarlig for utarbeidelsen av den tekniske dokumentasjonen og gir denne erklæringen på vegne av Black & Decker.

Patrick Diepenbach

Patrick Diepenbach
General Manager, Benelux
Black & Decker,
Egide Walschaertsstraat 14-18
2800 Mechelen, Belgia
08.9.2022

Garanti

Black & Decker er trygg på kvaliteten av produktene sine og tilbyr en 24 måneders garanti fra kjøpsdato. Denne garantierklæringen kommer i tillegg til dine lovbestemte rettigheter og er ikke i konflikt med disse.

Garantien er gyldig innen områdene tilhørende medlemslandene i den Europeiske Union (EU), det Europeiske Frihandelsområdet (EFTA) og i Storbritannia. For å ta garantien i bruk må kravet være i samsvar med kjøpsbetingelsene fra Black&Decker og du må vise kjøpskvittering til forhandleren eller til et autorisert serviceverksted. Betingelsene for Black & Deckers 2 års garanti og adressen til din nærmeste autoriserte serviceverksted kan du finne på internett under www.2helpU.com, eller ved å kontakte ditt lokale Black & Decker kontor, adressen er angitt i denne bruksanvisningen. Besøk våre nettsider på www.blackanddecker.no for å registrere ditt nye BLACK+DECKER-produkt og for å få informasjon om nye produkter og spesialtilbud.

Tilsluttet brug

Din BLACK+DECKER™, GKC1820L 20 kompakte kædesav er designet til lettere skæring og beskæring. Værktøjet er kun beregnet til privat brug.

Sikkerhedsvejledning

Generelle sikkerhedsadvarsler vedrørende elværktøj



Advarsel! Læs alle sikkerhedsadvarsler, instruktioner, illustrationer og specifikationer, der følger med elværktøjet. Manglende overholdelse af alle nedenstående instruktioner kan medføre elektrisk stød, brand og/eller alvorlige kvæstelser.

Gem alle advarsler og instruktioner til fremtidig reference.

Begrebet "elværktøj", der benyttes i nedenstående advarsler, henviser til netdrevet elværktøj (med netledning) eller batteridrevet elværktøj (uden netledning).

1. Sikkerhed i arbejdsområdet


- Hold arbejdsområdet rent og ordentligt oplyst.** Rodede eller mørke områder giver anledning til ulykker.
- Brug ikke elværktøj i eksplosive omgivelser, f.eks. hvor der er brændbare væsker, gasser eller støv.** Elværktøj danner gnister, der kan antænde støv eller dampe.
- Hold børn og andre personer i nærheden på afstand, når der arbejdes med elværktøj.** Distraktioner kan medføre, at du mister kontrollen.

2. Elektricitet og sikkerhed

- Elværktøjets stik skal passe til kontakten. Stikket må aldrig modificeres på nogen måde. Undlad at bruge adapterstik sammen med (jordforbundet) elektrisk værktøj.** Umodificerede stik og dertil passende stikkontakter reducerer risikoen for elektrisk stød.
- Undgå kropskontakt med jordforbundne overflader som f.eks. rør, radiatorer, komfurer og køleskabe.** Der er øget risiko for elektrisk stød, hvis din krop er jordforbundet.
- Udsæt ikke elværktøj for regn, og brug det ikke, hvor omgivelserne er våde.** Hvis der trænger vand ind i et elektrisk værktøj, øges risikoen for elektrisk stød.
- Pas på, at ledningen ikke beskadiges. Brug aldrig ledningen til at bære, trække værktøjet eller trække det ud af stikkontakten. Hold ledningen borte fra varme, olie, skarpe kanter og bevægelige dele.** Beskadigede eller sammenfiltrede ledninger øger risikoen for elektrisk stød.
- Hvis elværktøj benyttes i det fri, skal der benyttes en forlængerledning, som er godkendt til udendørs brug.** Brug af en ledning, der er egnet til udendørs brug, reducerer risikoen for elektrisk stød.
- Brug en strømkilde med fejlstrømsrelæ, hvis det er nødvendigt at anvende elværktøj på fugtige steder.** Ved at benytte en fejlstrømsafbryder reduceres risikoen for elektrisk stød.

3. Personssikkerhed

- Vær opmærksom, hold øje med, hvad du laver, og brug elværktøjet fornuftigt. Betjen ikke værktøjet, hvis du er træt, påvirket af narkotika, alkohol eller medicin.** Et øjeblik uopmærksomhed under anvendelse af et elektrisk værktøj kan forårsage alvorlige kvæstelser.
- Brug personligt beskyttelsesudstyr. Bær altid beskyttelsesbriller.** Det er muligt at reducere risikoen for kvæstelser ved alt efter omstændighederne at anvende det passende sikkerhedsudstyr såsom en støvmaske, skridsikre sikkerhedssko, sikkerhedshjelm eller hørevæm.
- Træf forholdsregler, så utilsigtet start ikke er mulig. Kontrollér, at afbryderkontakten står på slukket, inden værktøjet tilsluttes strømkilden og/eller batteriet, samles op eller bæres.** Når elektrisk værktøj bæres med fingeren på kontakten eller tilsluttes, når kontakten er tændt, giver det anledning til ulykker.
- Fjern indstillingsnøgle eller skruenøgle, inden elværktøjet startes.** En skruenøgle eller anden nøgle, der bliver siddende på en roterende del af elektrisk værktøj, kan give anledning til personskade.
- Stræk dig ikke for langt. Hold hele tiden en god fodstilling og balance.** Dette udgør at du har bedre kontrol over det elektriske værktøj, når uventede situationer opstår.

- f. **Brug egnet arbejdstøj. Bær ikke løst tøj eller smykker. Hold dit hår, tøj og handsker væk fra bevægelige dele.** Løstsiddende tøj, smykker eller langt hår kan blive fanget i bevægelige dele.
- g. **Hvis der kan monteres støvudsugnings- og opsamlingsudstyr, skal dette tilsluttes og benyttes korrekt.** Anvendelse af støvsamlingsudstyr kan begrænse farer forårsaget af støv.
- h. **Lad ikke kendskab fra hyppig brug af værktøjer gøre dig uforsigtig og få dig til at ignorere principperne for værktøjsikkerhed.** En uforsigtig handling kan forårsage alvorlig personskade på en brøkdal af et sekund.
4. **Brug og vedligeholdelse af elværktøj**
- a. **Overbelast ikke elværktøjet. Brug det elværktøj, der er bedst egnet til det arbejde, der skal udføres.** Det korrekte elværktøj klarer opgaven bedre og mere sikkert med den effekt, som det er konstrueret til.
- b. **Brug ikke elværktøjet, hvis afbryderkontakten er defekt.** Alt elektrisk værktøj, der ikke kan kontrolleres med kontakten, er farligt og skal repareres.
- c. **Træk stikket ud af stikkontakten og/eller batteriet inden indstilling, tilbehørsudskiftning eller opbevaring af elværktøjet.** Sådanne forebyggende sikkerhedsforanstaltninger mindsker risikoen for, at værktøjet startes utilsigtet.
- d. **Opbevar ubenyttet elværktøj uden for børns rækkevidde. Lad aldrig personer, der ikke er fortrolige med elværktøjet, eller som ikke har læst denne vejledning, benytte maskinen.** El-værktøj er farligt i hænderne på personer, som ikke er instrueret i brugen deraf.
- e. **Elværktøj skal vedligeholdes. Kontroller, om bevægelige dele er skæve og ikke sidder fast, og om delene er brækket eller beskadiget, så elværktøjets funktion påvirkes.** Hvis det elektriske værktøj er beskadiget, skal det repareres før brug. Mange ulykker er forårsaget af dårligt vedligeholdt værktøj.
- f. **Hold skæreværktøj skarpt og rent.** Ordentligt vedligeholdt skæreværktøj med skarpe skærekanten har mindre tilbøjelighed til at binde og er lettere at styre.
- g. **Brug elværktøjet, tilbehøret, værktøjsindsatser osv. i overensstemmelse med disse instruktioner under hensyntagen til arbejdsforholdene og arbejdet, der skal udføres med værktøjet.** Brug af elektrisk værktøj til andre opgaver end dem, det er beregnet til, kan resultere i en farlig situation.
- h. **Hold håndtagene og håndtagsfladerne tørre, rene og fri for olie og fedt. Glatte håndtag og gribeflader giver ikke en sikker håndtering og kontrol af værktøjet i uventede situationer.**
5. **Brug og pleje af batteriværktøj**
- a. **Genoplad kun med den oplader, som producenten har angivet.** En oplader, der passer til en type batteripakke, kan udgøre en risiko for brand, når den bruges til en anden type.
- b. **Elværktøj må kun bruges med batteripakker, der er beregnet hertil.** Brugen af andre batteripakker kan medføre personskade og brand.
- c. **Når batteripakken ikke er i brug, skal den holdes på afstand af andre metalgenstande, f.eks. papirclips, mønter, nøgler, søm, skruer og andre små metalgenstande, som kan skabe forbindelse mellem de to poler.** Kortslutning af batteriet kan forårsage forbrændinger eller brand.
- d. **Under grove forhold kan væske sive ud fra batteriet; undgå kontakt. Hvis der opstår kontakt ved et uheld, skyl med vand. Hvis væske kommer ind i øjnene, søg omgående lægehjælp.** Væske, der siver ud fra batteriet, kan fremkalde irritationer eller forbrændinger.
- e. **Brug ikke en batteripakke eller et værktøj, der er beskadiget eller modificeret.** Beskadigede eller modificerede batterier kan udvise uforudsigelig adfærd, hvilket kan resultere i brand, eksplosion eller risiko for personskade.
- f. **Udsæt ikke en batteripakke eller et værktøj for ild eller for høj temperatur.** Udsættelse for ild eller temperaturer over 130 °C kan medføre en eksplosion. BEMÆRK: Temperaturen „130 °C“ kan erstattes af temperaturen „265 °F“.
- g. **Følg alle opladningsanvisninger, og undlad at oplade batteripakken eller værktøjet uden for det temperaturinterval, der er specificeret i instruktionerne.** En forkert opladning eller opladning uden for det specificerede interval kan beskadige batteriet og øge risikoen for brand.
6. **Service**
- a. **Lad kun fagkyndige personer reparere elværktøjet og benyt kun originale reservedele.** Derved sikres det, at værktøjets driftssikkerhed opretholdes.
- b. **Beskadigede batteripakker må aldrig serviceres.** Service af batteripakker bør kun udføres af producenten eller autoriserede serviceudbydere (bruges kun til batteriværktøjer).
- Generelle sikkerhedsadvarsler for kædesave**
-  **Advarsel!** Yderligere sikkerhedsadvarsler for kædesave
- ◆ **Hold alle dele af kroppen væk fra savkæden, når kædesaven anvendes. Før du starter kædesaven, skal du sikre dig, at savkæden ikke er i kontakt med noget.**

Få sekunders uopmærksomhed ved brugen af kædesave kan medføre, at dit tøj eller din krop kommer i kontakt med kædesaven.

- ◆ **Hold altid kædesaven med højre hånd på det bageste håndtag og venstre hånd på det forreste håndtag.** Hold aldrig kædesaven med hænderne placeret omvendt, da dette øger risikoen for personskade.
- ◆ **Hold kun i kædesavens isolerede gribeblade, da savkæden kan komme i kontakt med skjulte ledninger.** Hvis savkæden kommer i kontakt med en strømførende ledning, bliver kædesavens blottagte dele strømførende, så brugeren får stød.
- ◆ **Bær beskyttelsesbriller.** Det anbefales at benytte yderligere beskyttelsesudstyr til hørelse, hoved, hænder, ben og fødder. Tilstrækkeligt beskyttende udstyr mindsker personskaden i tilfælde af flyvende materiale eller kontakt med savkæden ved et uheld.
- ◆ **Betjen ikke en kædesav i et træ, på en stige, fra et tag eller på en ustabil støtte.** Hvis du betjener en kædesav på denne måde, kan det resultere i alvorlig personskade.
- ◆ **Sørg altid for at have et godt fodfæste, og brug kun kædesaven, når du står på en fast, solid og jævn overflade.** Glatte eller ustabile overflader som f.eks. stiger kan medføre, at du mister balancen eller kontrollen med kædesaven.
- ◆ **Ved savning i en stammedel, der står under spænding, skal du være opmærksom på eventuel tilbagefjedring.** Når spændingen i træfibrene udløses, kan den fjederbelastede stammedel ramme brugeren og/eller bringe kædesaven ud af kontrol.
- ◆ **Udvis stor forsigtighed ved savning i småkviste og unge træer.** Det tynde materiale kan gribe fat i savkæden og blive slynget tilbage mod dig eller skubbe dig ud af balance.
- ◆ **Bær kædesaven i det forreste håndtag med kædesaven slukket og vendt bort fra kroppen. Monter altid sværddækslet ved transport eller opbevaring af kædesaven.** Korrekt håndtering af kædesaven mindsker risikoen for at komme i berøring med savkæden ved et uheld, mens den kører.
- ◆ **Følg instruktionerne vedrørende smøring, stramning af kæden og udskiftning af tilbehør.** Forkert strammede eller smurte kæder kan knække eller forøge risikoen for tilbageslag.
- ◆ **Sav kun i træ. Brug ikke kædesaven til formål, den ikke er beregnet til. For eksempel: brug ikke kædesaven til at save i plastik, murværk eller byggematerialer, som ikke er af træ.** Hvis kædesaven anvendes til andre formål, end den er beregnet til, kan der opstå farlige situationer.

- ◆ **Denne kædesav er ikke beregnet til træfældning. Hvis kædesaven anvendes til andre formål, end den er beregnet til, kan det resultere i alvorlige kvæstelser hos operatøren eller omkringstående personer.**
- ◆ **Følg alle instruktioner, når du fjerner fastklemt materiale, opbevarer eller foretager service på motorsaven. Sørg for, at afbryderen er slukket, og batteripakken er taget ud. Uventet aktivering af kædesaven under fjernelse af det fastsiddende materiale eller servicering kan resultere i alvorlig personskade.**

Yderligere sikkerhedsadvarsler for elværktøj



Advarsel! Yderligere sikkerhedsadvarsler for kompakte kædesave.

Den tilsigtede anvendelse er beskrevet i denne betjeningsvejledning. Brug ikke værktøjet til andre formål end de tiltænkte; brug f.eks. ikke værktøjet til træfældning. Hvis der udføres andre opgaver end dem, der anbefales i denne betjeningsvejledning med dette værktøj eller tilbehør eller udstyr, kan det medføre risiko for personskade.

- ◆ Brug tætsiddende og beskyttende tøj samt en sikkerhedshjelm med visir/sikkerhedsbriller, høreværn, skridsikkert fodtøj, beskyttende smækbukser og kraftige læderhandsker.
- ◆ Stå altid på en sådan måde, at du er i sikkerhed for faldende grene.
- ◆ Sikkerhedsafstanden mellem en gren, der skal skæres ned, og omkringstående personer, bygninger og andre genstande skal være mindst 2 1/2 gange grenens længde. Omkringstående personer, bygninger eller genstande inden for denne afstand risikerer at blive ramt af den nedfaldende gren.
- ◆ Planlæg en sikker flugtvej fra faldende grene. Kontroller, at undvigeruten er fri for hindringer, der kan forhindre eller hæmme bevægelsesfriheden. Husk, at vådt græs og nyskåret bark er glat.
- ◆ Der skal altid være en person i nærheden (men i sikker afstand), hvis der skulle ske et uheld.
- ◆ Brug ikke værktøjet, mens du står i et træ, på en stige eller på en anden ustabil flade.
- ◆ Hold hele tiden en god fodstilling og balance.
- ◆ Hold godt fast i værktøjet med begge hænder, når motoren kører.
- ◆ Lad ikke den kørende kæde komme i kontakt med genstande ved spidsen af sværdet.
- ◆ Påbegynd først savningen, når kæden bevæger sig med fuld hastighed.
- ◆ Forsøg ikke at sætte saven i et tidligere snit. Lav et nyt snit hver gang.
- ◆ Pas på grene, der flytter sig, eller andre kræfter, der kan lukke savsporet og klemme eller falde ind i kæden.

- ◆ Forsøg ikke at save en gren over, hvis diameter er større end værktøjets skærelængde.
- ◆ Fjern altid batteriet fra værktøjet, og monter kædebeskytteren over kæden, når værktøjet opbevares eller transporteres.
- ◆ Hold savkæden skarp og korrekt strammet. Kontroller stramningen regelmæssigt.
- ◆ Sluk værktøjet, lad kæden stoppe, og tag batteriet ud af værktøjet, før du foretager justeringer, service eller vedligeholdelse.
- ◆ Brug kun originale reservedele og tilbehør.
- ◆ Hold håndtagene tørre, rene og fri for olie og fedt. Fedtede håndtag er glatte og kan forårsage, at du mister kontrollen over maskinen.
- ◆ Den takkede kant kan blive skarp i løbet af produktets levetid. Vær forsigtig med ved omgang med dette.
- ◆ Sværdet kan blive varmt, når produktet anvendes. Vær forsigtig med ved omgang med dette.

Årsager til og undgåelse af tilbageslag (kickback)

Tilbageslag kan forekomme, når spidsen af sværdet berører en genstand, eller når træet lukkes sammen, så savkæden kommer i klemme i snittet.

Kontakt på spidsen kan forårsage en pludselig modsat reaktion, så sværdet slås opad og bagud mod brugeren. Fastklemning af savkæden oven på sværdet kan medføre, at sværdet skubbes hurtigt tilbage mod brugeren.

Begge disse reaktioner kan føre til, at du mister kontrollen med kædesaven, hvilket kan medføre alvorlig personskade.

Du må ikke udelukkende forlade dig på de indbyggede sikkerhedsfunktioner i kædesaven. Som bruger af en kædesav skal du træffe en række forholdsregler for at undgå uheld eller personskade, når du arbejder.

Et tilbageslag (kickback) opstår som følge af forkert brug eller misbrug af værktøjet. Det kan undgås ved at tage nedenstående forholdsregler:

- ◆ **Hold godt fast, således at tommelfingeren og de øvrige fingre griber omkring håndtagene på kædesaven. Hold begge hænder på kædesaven, og placer kroppen og armen, så du kan modstå tilbageslagskraften.** Tilbageslagskræfterne kan kontrolleres af brugeren, hvis der træffes de nødvendige forholdsregler. Slip ikke kædesaven.
- ◆ **Ræk dig ikke for langt, og undlad at save over skulderhøjde.** Derved undgås berøring af spidsen ved et uheld, og du har bedre kontrol med kædesaven i uventede situationer.
- ◆ **Anvend kun udskiftningssværd og -kæder, som er godkendt af producenten.** Forkerte udskiftningssværd og -kæder kan medføre, at kæden knækker og/eller tilbageslag.

- ◆ **Følg producentens instruktioner vedrørende slibning og vedligeholdelse af savkæden.** Hvis dybdemålerens højde reduceres, forøges risikoen for tilbageslag.

Sikkerhedsanbefalinger for kædesaven

- ◆ Vi anbefaler kraftigt, at førstegangsbrugere modtager praktisk vejledning i brugen af kædesaven og beskyttelsesudstyr fra en øvet bruger. Indledende øvelser bør udføres ved at save i stammer på en savbuk eller et stativ.
- ◆ Vi anbefaler, at du fjerner batteriet og sikrer dig, at savkæden vender bagud, når du bærer kædesaven.
- ◆ Kædesaven skal vedligeholdes, når den ikke er i brug. Kædesaven må ikke opbevares i længere tid, uden at savkæden og sværdet er afmonteret. Disse dele skal opbevares neddypet i olie. Opbevar alle kædesavens dele på et tørt, sikkert sted uden for børns rækkevidde.
- ◆ Vi anbefaler, at du tømmer oliebeholderen, før kædesaven lægges til opbevaring.
- ◆ Sørg for, at du har et sikkert fodfæste, og planlæg en sikker flugtvej fra et faldende træ eller faldende grene, før savningen påbegyndes.
- ◆ Brug kiler til at hjælpe med at styre fældningen og forhindre, at sværdet og savkæden sætter sig fast i træet.
- ◆ Behandling af savkæden. Hold savkæden skarp og stram på sværdet. Sørg for, at savkæden og sværdet er rene og velsmurte. Sørg for, at håndtagene er tørre, rene og fri for olie og fedt.

Der kan forekomme tilbageslag af følgende grunde:

- ◆ Hvis man rammer grene eller andre emner uforvarende med spidsen af saven, mens savkæden kører.
- ◆ Hvis man rammer metal, cement eller andre hårde materialer ved siden af eller indlejret i træet.
- ◆ En sløv eller løs kæde.
- ◆ Savning over skulderhøjde.
- ◆ Manglende opmærksomhed, mens man holder eller styrer den kørende kædesav.
- ◆ Udstrækning. Sørg for, at du altid har sikkert fodfæste og balance hele tiden, og stræk dig ikke for langt ud.
- ◆ Forsøg ikke at sætte saven i et tidligere snit. Dette kan medføre tilbageslag. Lav et nyt snit hver gang.
- ◆ Vi fraråder kraftigt at bruge kædesaven, når du står oppe i et træ, på en stige eller på en anden ustabil overflade. Hvis du gør dette, gør vi opmærksom på, at disse arbejdsstillinger er ekstremt farlige.
- ◆ Når du saver en gren, der er under spænding, skal du passe på, når den springer tilbage, at du ikke bliver ramt, når spændingen udløses.

Undgå at save:

- ◆ Forarbejdet tømmer.
- ◆ I jord.

- ◆ I trådhegn, søm osv.
- ◆ I små kviste og unge træer, da det spinkle materiale kan gribe fat i savkæden og blive slynget mod dig eller skubbe dig ud af balance.
- ◆ Brug ikke kædesaven over skulderhøjde.
- ◆ Der skal altid være en person i nærheden (men i sikker afstand), hvis der skulle ske et uheld.
- ◆ Hvis du af en eller anden grund skal røre ved savkæden, skal du sørge for, at kædesaven er slukket, og at batteriet er fjernet.
- ◆ Støjen fra dette produkt kan overstige 80 dB(A). Vi anbefaler derfor, at du tager de relevante forholdsregler til beskyttelse af hørelsen

Resterende risici.

Der kan opstå yderligere, tilbageværende risici under brugen af apparatet, som muligvis ikke behandles i de vedlagte sikkerhedsadvarsler. Disse risici kan opstå pga. forkert anvendelse, langvarig brug etc.

Selv ved overholdelse af relevante sikkerhedsforskrifter og anvendelse af sikkerhedsudstyr kan visse resterende risici ikke undgås. Disse omfatter:

- ◆ Tilskadekomst forårsaget af berøring af roterende/bevægelige dele.
- ◆ Tilskadekomst forårsaget af udskitning af dele, klinger eller tilbehør.
- ◆ Tilskadekomst forårsaget af langvarig brug af et apparat. Husk at holde pause jævnlige ved brug af et apparat i længere tid.
- ◆ Hørenedsættelse.
- ◆ Sundhedsrisici forårsaget af indånding af støv, der genereres ved brug af værktøjet (eksempel: arbejde med træ, især eg, bøg og MDF.)

Vibration

De angivne værdier for udsendelse af vibration og de(n) angivne værdi(er) for udsendelse af støj opført under de tekniske data og overensstemmelseserklæringen er målt i henhold til standardtestmetoden anført i EN 62841 og kan bruges til at sammenligne ét værktøj med et andet. De angivne værdier for udsendelse af vibration og de(n) angivne værdi(er) for udsendelse af støj kan også bruges i forbindelse med en foreløbig vurdering af eksponeringen.

Advarsel! Værdien for udsendelse af vibration og støj i forbindelse med den faktiske anvendelse af elværktøjet kan afvige fra den angivne værdi afhængig af metoden, hvormed værktøjet anvendes. Vibrationsniveauet kan overstige det angivne niveau.

I vurderingen af eksponeringen for vibration med henblik på fastsættelse af sikkerhedsforanstaltninger som krævet i 2002/44/EF til beskyttelse af personer, der jævnligt anvender elværktøj i deres arbejde, skal der tages hensyn til de faktiske betingelser under brugen, og måden værktøjet bruges på, herunder alle arbejdsrytters afsnit, f.eks. perioder, hvor værktøjet er slukket, og hvor det kører i tomgang, tillige med startperioderne.

Mærkatet på værktøjet

Værktøjet er forsynet med følgende piktogrammer sammen med en datokode:



Advarsel! Brugeren skal læse brugervejledningen for at reducere risikoen for kvæstelser.



Anvend ikke saven under våde forhold, og udsæt den ikke for regn.



Brug altid hovedbeskyttelse, høreværn og sikkerhedsbriller.



Bær altid handsker.



Bær altid skridsikret fodtøj.



Hold altid en kædesav godt med begge hænder.



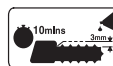
Vær opmærksom på kædesavens tilbageslag, og undgå kontakt med spidsen af sværdet.



Brug ikke kædesaven med én hånd.



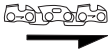
Vær opmærksom på faldende genstande. Personer i nærheden skal holdes på afstand



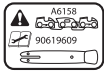
Kontrollér kædestramningen som beskrevet i denne vejledning for hver 10 minutters brug, for at sikre, at saven er sikker i brug, og juster til en afstand på 3 mm som påkrævet. Smør kæden for hver 10 minutters brug.



Advarsel! Rør ikke kæden ved spånudgangen



Kædens omløbsretning.



For at sikre konstant sikker drift må kæde og sværd kun udskiftes med originale dele fra BLACK+DECKER. Kædens reservedelsnummer er A6158, sværdets reservedelsnummer er 90619609.



Slå strømmen fra. Tag batteriet ud af værktøjet, inden der foretages vedligeholdelse på værktøjet.



Direktiv 2000/14/EC garanteret lydstyrke.

Yderligere sikkerhedsvejledninger for batterier og ladere

Batterier

- ◆ Forsøg aldrig at åbne den af en eller anden grund.
- ◆ Batteriet må ikke udsættes for fugt.
- ◆ Batteriet må ikke udsættes for varme.
- ◆ Opbevar ikke batterier på steder, hvor temperaturen kan overstige 40 °C.
- ◆ Foretag kun opladning ved omgivelsestemperaturer mellem 10 °C og 40 °C.
- ◆ Brug kun den oplader, der fulgte med apparatet/værktøjet, til opladning. Brug af den forkerte oplader kan medføre elektrisk stød eller overophedning af batteriet.
- ◆ Følg ved bortskaffelse af batterier vejledningen i afsnittet "Miljø".
- ◆ Undgå at beskadige/deformere batteripakken ved at punktere den eller slå på den, da dette kan forårsage risiko for tilskadekomst eller brand.
- ◆ Beskadigede batterier må ikke oplades.

Under ekstreme forhold kan der forekomme batterilækage. Hvis du bemærker væske på batterierne, skal du omhyggeligt tørre den af med en klud. Undgå kontakt med huden. I tilfælde af kontakt med hud eller øjne skal nedenstående instruktioner følges.

Advarsel! Batterivæsken kan forårsage personskader eller materielle skader. I tilfælde af kontakt med huden skylles straks med vand. Søg læge, hvis der opstår rødme, smerte eller irritation. Skyl straks med rent vand, og søg læge i tilfælde af kontakt med øjnene.

Opladere

Advarsel! Opladeren er udviklet til en specifik spænding. **Kontroller altid, at netspændingen svarer til spændingen på typeskiltet.**

Advarsel! Forsøg aldrig at erstatte opladerenheden med et almindeligt netstik.

- ◆ Brug kun din BLACK+DECKER oplader til at oplade batteriet i det apparat/værktøj, som den blev leveret sammen med. Andre batterier kan eksplodere og forårsage kvæstelser og materielle skader.
- ◆ Forsøg aldrig at oplade ikke-genopladelige batterier.
- ◆ Hvis netledningen beskadiges, skal den udskiftes af producenten eller et autoriseret BLACK+DECKER-værksted, så farlige situationer undgås.
- ◆ Opladeren må ikke udsættes for fugt.
- ◆ Opladeren må ikke åbnes.
- ◆ Undersøg ikke opladeren.
- ◆ Opladeren skal ved opladning anbringes et sted med god udluftning.

Etiketter på laderen

Opladeren er forsynet med følgende advarselssymboler:



Opladeren er kun beregnet til indendørs brug.



Læs brugervejledningen, før værktøjet tages i brug.

Elektricitet og sikkerhed



Opladeren er dobbelt isoleret. Derfor er en jordledning ikke nødvendig. Kontroller altid, at netspændingen svarer til spændingen på typeskiltet. Forsøg aldrig at erstatte opladerenheden med et almindeligt netstik.

- ◆ Hvis netledningen beskadiges, skal den udskiftes af producenten eller et autoriseret BLACK+DECKER-værksted, så farlige situationer undgås.

Funktioner

1. Afbryderkontakt
2. Låseknop
3. Oliedæksel
4. Oliebeholder
5. Forreste beskyttelsesskærmenhed
6. Kædebeskytter
7. Skrue til justering af kædens stramning
8. Kæde
9. Sværd
10. Batteri
11. Kædedæksel
12. Oplader

Samling

Advarsel! Tag batteriet (10) ud af værktøjet inden det samles.

Isætning og udtagning af batteriet (fig. A)

- ◆ Sæt batteriet (10) i ved at anbringe det, så det flugter med holderen i værktøjet. Skyd batteriet (10) ind i holderen, og skub mod det, indtil batteriet (10) går i indgreb.
- ◆ Tryk på udløserknappen (24), og træk samtidigt batteriet (10) ud af holderen for at tage batteriet (10) ud.

Advarsel! For at forhindre utilsigtet drift skal du sikre dig, at batteriet er taget ud, og at kædedækslet (11) sidder på savkæden (8), før du udfører følgende handlinger. I modsat fald kan det resultere i alvorlige kvæstelser.

Opladning af batteriet (fig. B)

Batteriet skal oplades inden ibrugtagningen, og når det ikke leverer strøm nok til opgaver, der tidligere kunne udføres ubesværet. Batteriet kan blive varmt under opladningen. Det er normalt og ikke tegn på problemer.

Advarsel! Oplad ikke batteriet ved omgivelsestemperaturer på under 10 °C eller over 40 °C. Den anbefalede opladningstemperatur: ca. 24 °C.

Bemærk: Laderen kan ikke oplade et batteri, hvis celletemperaturen er under ca. 10 °C eller over 40 °C. Lad batteriet stå i laderen. Laderen begynder automatisk at lade, når celletemperaturen er varm eller kold nok.

- ◆ Sæt batteriet (10) i opladeren (12) for at lade det op. Batteriet passer kun i opladeren på én måde. Tving dem ikke. Kontroller, at batteriet er sat helt i opladeren.
- ◆ Tilslut laderen, og tænd på stikkontakten.

Ladeindikatoren (23) begynder at blinke.

Opladningen er afsluttet, når ladeindikatoren (23) begynder at lyse konstant. Opladeren og batteriet kan være tilsluttet i længere perioder. LED'en tændes, når laderen en gang imellem "efterfylder" batteriet.

- ◆ Afladede batterier bør oplades inden for 1 uge. Batteriets levetid reduceres kraftigt, hvis batteriet opbevares i afladet tilstand.

Lad batteriet blive siddende i opladeren

Batteripakken kan uden problemer forblive i opladeren, selvom LED lyser konstant. Opladeren holder batteripakken klar og fuldt opladet.

Montering og afmontering af savkæden (fig. C-E, G)



Anvend altid beskyttelseshandsker ved montering og afmontering af savkæden (8). Savkæden er skarp, og man kan skære sig på den, selv om den ikke kører.

- ◆ Anbring værktøjet på en fast og stabil overflade.
- ◆ Løsn de to unbrakoskruer (14) med den medfølgende unbrakonøgle (21). Fjern unbrakoskruerne (14).
- ◆ Tag kædebeskyttermonteringen af (6).

- ◆ Drej skruen til justering af kædens stramning (7) mod uret, så sværdet (9) trækkes tilbage, og savkædens (8) stramning reduceres.
- ◆ Fjern den gamle savkæde (8) fra kædehjulstanden (15) og sværdet (9).
- ◆ Læg den nye savkæde (8) i sværdets (9) rille og omkring kædehjulstanden (15). Vend tænderne i den korrekte retning ved at sætte pilen på savkæden (8) ud for pilen på kædebeskytteren (6).
- ◆ Sørg for, at rillen (17) i sværdet (9) sidder over monteringsstifterne (18), og at hullet (20) under rullen sidder over justeringsstiften (19).
- ◆ Monter kædebeskytteren (6) og de 2 unbrakoskruer (14).
- ◆ Stram unbrakoskruerne (14) med den medfølgende unbrakonøgle (21).
- ◆ Juster kædens stramning som beskrevet herunder.

Kontrol og justering af kædens stramning (fig. C-F)

- ◆ Kontroller savkædens stramning. Stramningen er korrekt, når savkæden (8) springer tilbage efter af være trukket 3 mm fri af sværdet (9) med let kraft af langfingeren og tommelfingeren. Der må ikke være nogen "nedbøjning" mellem sværdet (9) og savkæden (8) på undersiden.

Sådan justeres stramningen:

- ◆ Løsn de 2 unbrakoskruer (14).
- ◆ Drej skruen til kædespændingsjustering (7) med uret.

Advarsel! Stram ikke kæden for kraftigt, da dette vil medføre kraftig slitage og afkorte sværdets og kædens levetid.

- ◆ Stram de 2 unbrakoskruer (14), når kædens stramning er korrekt.

Advarsel! Når savkæden er ny, skal stramningen kontrolleres ofte under de første to timers brug, da nye savkæder strækker sig en smule.

Påfyldning af oliebeholderen (fig. G)

- ◆ Fjern oliedækslet (3), og fyld beholderen (4) med den anbefalede kædeolie. Du kan se oliestanden i oliebeholderen (4). Sæt oliedækslet (3) på igen.
- ◆ Sluk regelmæssigt, og kontroller oliestanden. Hvis beholderen er mindre end kvart fyldt, skal du fjerne batteriet (10) fra værktøjet og fylde beholderen (4) op med den korrekte olie.

Smøring af kæden (fig. G)

Savkæden (8) skal altid smøres før brug og efter rengøring med olie af korrekt kvalitet (kat. nr. A6027).

- ◆ Smør savkæden (8) ved at trykke på kuglen på oliedækslet (3) to gange før hvert snit og holde kuglen nede i 3-4 sekunder.

Anvendelse

Tænd og sluk (fig. G)

Advarsel! Lad værktøjet arbejde i dets eget tempo.

Overbelast det ikke.

Af sikkerhedsmæssige hensyn er værktøjet udstyret med et dobbelt afbrydersystem. Dette system forhindrer utilsigtet start af værktøjet.

Tænd

- ◆ Tryk på låseknappen (2), og klem samtidig på afbryderen (1).
- ◆ Slip låseknappen (2).

Sluk

- ◆ Slip tænd/sluk-kontakten (1).

Advarsel! Forsøg aldrig at fastlåse en kontakt i tændt position.

Beskæring af træer (fig. H)

Kontroller, at der ikke er lokale vedtægter eller bestemmelser, som forbyder eller begrænser beskæring af træer.

Beskæring må kun udføres af erfarne brugere, da der er forøget risiko for, at savkæden (8) klemmes fast og medfører tilbageslag.

Før beskæring skal du overveje de forhold, der påvirker faldretningen, bl.a.:

- ◆ Længde og vægt af den gren, der skal skæres af.
- ◆ En usædvanligt tung stammestruktur eller forrådnelse.
- ◆ Omkringstående træer og hindringer inkl. el-ledninger.
- ◆ Vindens hastighed og retning.
- ◆ At grenen flettes ind i andre grene.

Brugeren skal overveje adgangen til grenen og faldretningen. Grenen vil sandsynligvis svinge mod træstammen. Ud over brugeren er der fare for tilskuere, genstande og ejendom under grenen.

For at undgå splintring skal der først skæres et snit opad til maks. en tredjedel af grenens tykkelse. Det andet snit skæres nedefter, så det møder det første.

Lettere skæring (fig. I)

Den måde, du skal skære på, afhænger af, hvordan stammen er understøttet. Brug en savbuk, når det er muligt. Start altid et snit med kæden (8) kørende og den takkede kant i berøring med træet. Færdiggør snittet med en drejebævegelse af den takkede kant mod træet.

Hvis stammen er understøttet i hele sin længde:

- ◆ Lav et nedadgående snit, men undgå at skære i jorden, da dette hurtigt vil kunne forringe savkæden.
Hvis stammen er understøttet i begge ender:
- ◆ Skær først en tredjedel ned for at undgå splintring, og sav derefter igen for at møde det første snit.

Hvis stammen er understøttet i den ene ende:

- ◆ Skær først en tredjedel opad for at undgå splintring, og skær derefter nedad for at forhindre splintring.
Hvis du står på en skrånning:
- ◆ Stå altid oven for arbejdsstedet. Ved brug af en savbuk (fig. I):
Dette anbefales kraftigt, når det er muligt.
- ◆ Anbring stammen, så den ligger stabilt. Skær altid på ydersiden af savbukkens arme. Brug klemmer eller remme til at fastgøre arbejdsemnet.

Rengøring, vedligeholdelse og opbevaring

Dit BLACK+DECKER-værktøj er beregnet til brug gennem lang tid med et minimum af vedligeholdelse.

Vedvarende tilfredsstillende funktion er afhængig af, om apparatet plejes korrekt og rengøres regelmæssigt. Opladeren kræver ingen vedligeholdelse, men skal rengøres jævnligt.

Advarsel! Tag batteriet ud af værktøjet, inden der foretages vedligeholdelse på værktøjet. Træk opladeren ud af stikkontakten, før den rengøres.

Efter brug og før opbevaring

Rengør regelmæssigt ventilationsåbningerne med en ren, tør pensel.

Brug kun en mild sæbe og en fugtig klud til rengøring af værktøjet. Lad aldrig væske trænge ind i værktøjet, og nedsænk aldrig nogen del af værktøjet i væske.

- ◆ Fjern snavs med en hård børste.
- ◆ Smør kæden (8) med olie.

Slibning af savkæden

Hvis værktøjet skal yde sit bedste, er det vigtigt at holde tænderne på savkæden skarpe.

Slibvejledningen findes på slibesættet. Til dette formål anbefaler vi BLACK+DECKER slibesæt til savkæder, der fås hos dine BLACK+DECKER-forhandlere (kat. nr. A6039).

Udskiftning af slidte eller beskadigede savkæder og sværd

Udskiftningssavkæder fås hos almindelige forhandlere og BLACK+DECKER-forhandlere (pkt. nr. A6158), og udskiftningssavkæder fås kun hos BLACK+DECKER-forhandlere (pkt. nr. 90517720).

For at undgå risikoen for personskade bør du kun bruge originale BLACK+DECKER-kæder og -sværd. Brug altid originale reservedele.

Savkædens skarphed

Skærene på savkæden bliver øjeblikkeligt sløve, hvis de berører jorden eller et søm under savning.

Savkædens stramning

Kontroller regelmæssigt savkædens stramning.

Hvad du skal gøre, hvis kædesaven skal repareres.

Dette værktøj overholder de relevante sikkerhedsforskrifter. Reparationer må kun foretages af en kvalificeret person, som bruger originale reservedele. I modsat fald kan der opstå betydelig fare for brugeren. Vi anbefaler, at du opbevarer denne brugsanvisning et sikkert sted.

Opbevaring

Hvis værktøjet ikke skal bruges i flere måneder, er det bedst at lade batteriet (10) sidde i laderen.

Eller gør som følger:

- ◆ Tag batteriet (10) af værktøjet.
- ◆ Oplad batteriet helt (10).
- ◆ Opbevar værktøjet og batteriet (10) på et sikkert og tørt sted. Opbevaringstemperaturen skal ligge imellem +10°C og +40°C. Anbring batteriet (10) på en jævn overflade.
- ◆ Oplad batteriet (10) helt igen, inden værktøjet tages i brug efter længere tids opbevaring

Miljøbeskyttelse



Særskilt indsamling. Produkter og batterier mærket med dette symbol må ikke bortskaffes sammen med normalt husholdningsaffald.

Produkter og batterier indeholder materialer, der kan genvindes eller genbruges og således reducere efterspørgslen efter råvarer.

Genbrug venligst elektriske produkter og batterier i henhold til lokale bestemmelser. Yderligere informationer findes på www.2helpU.com

Tekniske data

GKC1820L 20 Type 3		
Spænding	V _{DC}	18
Kædehastighed (ubelastet)	m/min	190
Vægt	kg	1,55
Batteri		BL2018
Spænding	V _{DC}	18
Kapacitet	Ah	2,0
Type		Li-Ion
Oplader		905902**TYPE 1
Indgangsspænding	V _{AC}	100–240
Udgangsspænding	V _{DC}	8–20
Udgangsstrømstyrke	mA	400

Garanteret lydtrykkniveau, målt i overensstemmelse med EN62841:

LpA (emissionslydtrykkniveau) 78 dB(A), usikkerhed (K) 3 dB(A)
LwA (målt lydeffektniveau) 94 dB(A), usikkerhed (K) 1,9 dB(A)

Samlede værdier for vibration (triaksial vektorsum) i henhold til EN 62841:

Værdi for udsendelse af vibration (a_{11}) = 5,5 m/s², usikkerhed (K) = 1,5 m/s²

EF-overensstemmelseserklæring MASKINDIREKTIV



GKC1820L 20 – Kompakt kædesav
Black & Decker erklærer, at produkterne beskrevet under "Tekniske data" er i overensstemmelse med: 2006/42/EF, EN 62841-1:2015+A11:2022, EN 62841-4-1:2020
LWA (målt lydeffektniveau) 94 dB(A),
usikkerhed (K) = 1,9 dB (A),
LWA (garanteret lydeffekt) 96 dB (A)

Disse produkter er endvidere i overensstemmelse med direktiv 2014/30/EU og 2011/65/EU.

Kontakt Black & Decker på nedenstående adresse eller se vejledningens bagside for at få yderligere oplysninger. Undertegnede er ansvarlig for udarbejdelsen af de tekniske data og fremsætter denne erklæring på vegne af Black & Decker.

Patrick Diepenbach

Patrick Diepenbach
Generaldirektør, Benelux
Black & Decker,
Egide Walschaertsstraat 14-18
2800 Mechelen, Belgien
08-09-2022

Garanti

Black & Decker er overbevist om den gode kvalitet af sine produkter og giver forbrugerne en garanti på 24 måneder fra købsdatoen. Garantien er et tillæg til forbrugernes lovmæssige rettigheder og påvirker ikke disse.

Garantien er gyldig inden for medlemsstaterne af Den Europæiske Union, Det Europæiske Frihandelsområde og Det Forenede Kongerige.

Når du gør krav på garantien, skal kravet være i overensstemmelse med Black & Decker vilkår og betingelser, og du skal indsende dokumentation for købet til sælgeren eller til en autoriseret reparatør.

Vilkår og betingelser for Black & Decker 2 års garanti og placeringen af dit nærmeste autoriserede serviceværksted kan fås på internettet på www.2helpU.com, eller ved at kontakte dit lokale Black & Decker kontor på den adresse, der er angivet i denne vejledning.

Besøg venligst vores websted www.blackanddecker.co.uk for at registrere dit nye BLACK+DECKER produkt og modtage opdateringer om nye produkter og specielle tilbud.

Käyttötarkoitus

Kompakt BLACK+DECKER™, GKC1820L 20 -ketjusaha on tarkoitettu kevyeseen leikkaamiseen ja trimmaamiseen. Tämä työkalu on tarkoitettu vain yksityiskäyttöön.

Turvallisuusohjeet

Sähkötyökalujen yleiset turvavaroitukset



Varoitus! Lue kaikki sähkötyökalun mukana toimitetut varoitukset, käyttöohjeet ja tekniset tiedot. Jos kaikkia ohjeita ei noudateta, on olemassa sähköiskun, tulipalon ja/tai vakavan henkilövahingon vaara.

Säästä kaikki varoitukset ja ohjeet tulevaa käyttöä varten. Ohjeissa käytetty käsite "sähkötyökalu" tarkoittaa verkkokäyttöisiä sähkötyökaluja (verkkojohdolla varustettuja) ja akkukäyttöisiä sähkötyökaluja (ilman verkkojohdtoa).

1. Työalueen turvallisuus

- Pidä työalue puhtaana ja hyvin valaistuna.** Onnettomuuksia sattuu herkemmin epäsiistissä tai huonosti valaistussa ympäristössä.
- Älä käytä sähkötyökalua räjähdysalttiissa ympäristössä, jossa on syttyvää nestettä, kaasua tai pölyä.** Sähkötyökalujen aiheuttamat kipinät voivat sytyttää pölyn tai kaasut.
- Pidä lapset ja sivulliset loitolla sähkötyökalua käyttäessäsi.** Keskittymiskyvyn herpaantuminen voi aiheuttaa hallinnan menettämisen.

2. Sähköturvallisuus

- Sähkötyökalun pistokkeen on sovittava pistorasiaan. Älä koskaan tee pistokkeeseen mitään muutoksia. Älä yhdistä maadoitettua sähkötyökalua jatkojohtoon.** Sähköiskun vaara vähenee, jos pistokkeisiin ei tehdä muutoksia ja ne yhdistetään vain niille tarkoitettuihin pistorasioihin.
- Vältä koskettamasta maadoitettuja pintoja, kuten putkia, lämpöpattereita, liesiä tai jääkaappeja.** Voit saada sähköiskun, jos kehosi on maadoitettu.

- Älä altista sähkötyökalua sateelle tai kosteudelle.** Sähkötyökaluun menevä vesi lisää sähköiskun vaaraa.
- Älä käsittele virtajohtoa kovakouraisesti. Älä kannata työkaluja sähköjohdosta tai vedä pistoketta pistorasiasta sähköjohdon avulla. Pidä sähköjohto kaukana kuumuudesta, öljystä, terävistä reunoista tai liikkuvista osista.** Vaurioituneet tai soiteutuneet johdot lisäävät sähköiskun vaaraa.
- Käyttäessäsi sähkötyökalua ulkona käytä ainoastaan ulkokäyttöön soveltuvaa jatkojohtoa.** Ulkokäyttöön tarkoitettun sähköjohdon käyttäminen vähentää sähköiskun vaaraa.
- Jos sähkötyökalua on välttämättä käytettävä kosteassa paikassa, käytä vikavirtasuojalla (RCD) suojattua virtalähdettä.** Tämä vähentää sähköiskun vaaraa.

3. Henkilöturvallisuus

- Ole valpas, keskity työhön ja noudata tervettä järkeä sähkötyökalun käytössä. Älä käytä tätä työkalua ollessasi väsynyt tai alkoholin, huumeiden tai lääkkeiden vaikutuksen alaisena.** Keskittymisen herpaantuminen hetkeksikin sähkötyökalua käytettäessä voi aiheuttaa vakavan henkilövahingon.
- Käytä henkilökohtaisia suojavarusteita. Käytä aina suojalaseja.** Hengityssuojaimen, liukumattomien turvajalkineiden, kypärän ja kuulonsuojaimen käyttäminen vähentää henkilövahinkojen vaaraa.
- Vältä tahatonta käynnistämistä. Varmista, että kytkin on OFF-asennossa, ennen kuin liität laitteen virtalähteeseen ja/tai akkuun, nostat laitteen tai kannat sitä.** Sähkötyökalun kantaminen sormi virtakytkimellä lisää onnettomuusvaaraa.
- Irrota mahdollinen säätö- tai kiintoavain ennen kuin käynnistät sähkötyökalun.** Sähkötyökalun pyörivään osaan kiinni jäänyt avain voi johtaa loukkaantumiseen.
- Älä kurkota.** Huolehdi siitä, että sinulla on koko ajan tukeva jalansija ja hyvä tasapaino. Näin voit hallita sähkötyökalua paremmin odottamattomissa tilanteissa.
- Käytä tarkoitukseen soveltuvia vaatteita. Älä käytä löysiä vaatteita tai koruja.** Pidä hiukset, vaatteet ja kädet loitolla liikkuvista osista. Löysät vaatteet, korut tai pitkät hiukset voivat tarttua liikkuviin osiin.
- Jos työkalun voi liittää pölynimuriin, tarkista, että liitos on tehty asianmukaisesti ja että laitteita käytetään oikealla tavalla.** Pölyn ottaminen talteen voi vähentää pölyn aiheuttamia vaaroja.
- Vaikka käyttäisit usein työkaluja ja sinulla olisi niistä hyvä tuntemus, älä jätä lukematta työkalun turvallisuusohjeita.** Huolimattomuus voi johtaa vakaviin henkilövahinkoihin jopa sekunnin murto-osassa.

4. Sähkötyökälujen käyttö ja hoito

- a. **Älä ylikuormita sähkötyökäluä.** Valitse käyttötarkoituksen kannalta oikea sähkötyökälu. Sähkötyökälu toimii paremmin ja turvallisemmin, kun sitä käytetään sille suunniteltuun käyttötarkoitukseen.
- b. **Älä käytä sähkötyökäluä, jota ei voida käynnistää ja pysäyttää virtakytkimestä.** Jos sähkötyökäluä ei voi hallita kytkimen avulla, se on vaarallinen ja se on korjattava.
- c. **Irrota pistotulppa pistorasiasta ja/tai akku laitteesta ennen kuin suoritat säätöjä, vaihdat tarvikkeita tai siirrä sähkötyökälun varastoitavaksi.** Näin voit vähentää vahingossa käynnistymisen aiheuttaman henkilövahingon vaaraa.
- d. **Säilytä sähkötyökälu poissa lasten ulottuvilta, kun niitä ei käytetä.** Älä anna sähkötyökäluä sellaisen henkilön käyttöön, joka ei tunne sitä tai joka ei ole tutustunut tähän käyttöohjeeseen. Sähkötyökälu ovat vaarallisia kouluttamattomien käyttäjien käsissä.
- e. **Hoida sähkötyökäluä huolella. Tarkista, että liikkuvat osat toimivat moitteettomasti ja etteivät ne ole puristuksessa.** Tarkista myös, ettei työkalussa ei ole murtuneita tai vahingoittuneita osia, jotka saattaisivat vaikuttaa haitallisesti sen toimintaan. Jos havaitset vaurioita, korjauta sähkötyökälu ennen niiden käyttämistä. Huonosti kunnossapidetyt sähkötyökälu aiheuttavat onnettomuuksia.
- f. **Pidä leikkausterät terävinä ja puhtaina.** Kunnossa pidettyjen leikkaavia teräviä reunoja sisältävien työkalut todennäköisyys jumiutua vähenee, ja niitä on helpompi hallita.
- g. **Käytä sähkötyökäluä, tarvikkeita, vaihtoteriä yms. näiden ohjeiden mukaisesti. Ota tällöin huomioon työolosuhteet ja suoritettava toimenpide.** Jos sähkötyökäluä käytetään näiden ohjeiden vastaisesti, voi syntyä vaaratilanne.
- h. **Pidä kahvat ja kädensijat kuivina ja puhtaina öljystä ja rasvasta.** Liukkaat kahvat ja kädensijat estävät työkalun turvallisen käsittelyn ja hallinnan odottamattomissa tilanteissa.

5. Akkutyökälun käyttö ja huolto

- a. **Lataa akku vain valmistajan määrittelemällä laturilla.** Laturi, joka on sopiva yhden tyyppiselle akulle, voi aiheuttaa tulipalon vaaran, jos sitä käytetään toisen tyyppisellä akulla.
- b. **Käytä sähkötyökäluä ainoastaan kyseiseen sähkötyökäluun tarkoitettua akkuä.** Muun tyyppisen akun käyttö saattaa johtaa loukkaantumiseen ja tulipaloon.
- c. **Pidä irrallinen akku loitolla metalliesineistä, kuten paperiliittimistä, kolikoista, avaimista, nauloista, ruuveista tai muista pienistä metalliesineistä, jotka voivat aiheuttaa oikosulun akun navoissa.**

Akun napojen oikosulku voi aiheuttaa palovammoja tai tulipalon.

- d. **Väärin käytetystä akusta voi vuotaa nestettä. Älä kosketa sitä. Jos nesteen kanssa joutuu kosketuksiin, huuhtelee vedellä. Jos nestettä joutuu silmiin, hakeudu lisäksi lääkärin hoitoon.** Akusta roiskunut neste saattaa aiheuttaa ärsytystä tai palovammoja.
- e. **Akkua tai työkalua ei saa käyttää, jos siinä on vaurioita tai sitä on muunneltu.** Vaurioituneet tai muunnellut akut voivat johtaa odottamattomiin tilanteisiin ja vaarana ovat tulipalo, räjähdys ja henkilövahingot.
- f. **Suojaa akku ja työkalu tulelta ja liian korkeilta lämpötiloilta.** Se voi räjähtää yli 130 °C lämpötilassa. HUOMAA: Lämpötila "130 °C" voidaan korvata lämpötilalla "265 °F".
- g. **Noudata kaikkia latausohjeita. Akkua tai työkalua ei saa ladata ohjeissa määritetystä lämpötilavälistä poikkeavassa lämpötilassa.** Jos akku ladataan virheellisesti tai määritetystä lämpötilavälistä poikkeavassa lämpötilassa, seurauksena voi olla akun vaurioituminen ja tulipalovaara.

6. Huolto

- a. **Korjauta sähkötyökälu koulutetulla ja ammattitaitoisella henkilöllä ja hyväksy korjauksiin vain alkuperäisiä varaosia.** Tämä varmistaa sähkötyökälun turvallisuuden.
- b. **Älä koskaan huolla vaurioituneita akkuja.** Ainoastaan valmistaja tai valtuutetut huoltoilikkeet saavat huoltaa akkuja (koskee vain akkutyökäluä).

Ketjusahan yleiset turvallisuusvaroitukset

Varoitus! Lisäturvavaroitukset ketjusahoille

- ◆ **Ole huolellinen, ettei teräketju osu itseesi missään vaiheessa ketjusahan käytön aikana.** Varmista ennen ketjusahan käynnistämistä, ettei teräketju kosketa mihinkään. Jos tarkkaavaisuutesi pääsee herpaantumaan sahausten aikana, esimerkiksi vaatteesi tai jäsenesi voivat takertua teräketjuun.
- ◆ **Pidä ketjusahaa oikealla kädellä sen takakahvasta ja vasemmalla sen etukahvasta.** Vastakkainen ote ketjusahasta lisää onnettomuusriskiä. Älä koskaan käytä vastakkaista otetta.
- ◆ **Pitele ketjusahaa vain sen eristävästä tartuntapinnosta, sillä teräketju voi osua piilossa oleviin sähköjohtoihin.** Teräketjun kosketus jännitteisen johtimen kanssa voi tehdä ketjusahan paljaista metalliosista jännitteisiä ja aiheuttaa sähköiskun käyttäjälle.

- ◆ Käytä suojalaseja. Kuulonsuojaimet, kypärät sekä käsien ja jalkojen suojavarusteet ovat suositeltavia. Asianmukaiset suojavarusteet vähentävät sinkoavien puunsälöjen ja teräketjun aiheuttamia loukkaantumisia.
- ◆ Älä käytä ketjusahaa puussa, tikkailla, katolta tai epävakaaalta tuelta. Muutoin ketjusahan käytöstä voi aiheutua vakavia henkilövahinkoja.
- ◆ Käytä suojaavia jalkineita ja seiso sahatessasi tasaisella ja tukevalla alustalla. Sahaaminen liukkaalla tai epävakaaalla työskentelypaikalla, kuten tikapuilla, voi johtaa tasapainon tai ketjusahan hallinnan menetykseen.
- ◆ Ole varovainen katkaistessasi jännittyneenä olevaa oksaa, sillä se saattaa ponnahtaa yllättävään suuntaan. Kun puun jännitys laukeaa, ponnahtava oksa voi osua käyttäjään ja/tai työkaluun ja aiheuttaa hallinnan menetyksen.
- ◆ Ole hyvin varovainen sahatessasi pensaita tai vesakkoa. Taipuisat oksat voivat tarttua teräketjuun ja iskeytyä sahaajaan tai horjuttaa hänen tasapainoaan.
- ◆ Kanna ketjusahaa etukavasta virta katkaistuna ja terä suunnattuna itsestäsi pois päin. Aseta laipan suojus paikalleen ketjusahan kuljetuksen ja varastoinnin ajaksi. Käsittele sahaa huolellisesti, ettei vahingossa kosketa pyörivää teräketjua.
- ◆ Noudata voitelua, ketjun kireyttä ja osien vaihtoa koskevia ohjeita. Väärin kiristetty tai voitelematon ketju voi katketa tai lisätä takapotkun mahdollisuutta.
- ◆ Käytä työkalua vain puumateriaalin katkaisuun. Älä käytä ketjusahaa muuhun kuin sille suunniteltuun tarkoitukseen. Esimerkki: älä sahaa ketjusahalla muovia, kiviainesta tai rakennuspuusta poikkeavaa materiaalia. Ketjusahan käyttö muuhun kuin sille tarkoitettuun tehtävään voi johtaa vaarallisiin tilanteisiin.
- ◆ Tätä ketjusahaa ei ole tarkoitettu puiden kaatamiseen. Ketjusahan käyttö muuhun kuin sen suunniteltuun käyttötarkoitukseen voi aiheuttaa vakavan vamman käyttäjälle tai sivullisille.
- ◆ Noudata kaikkia ohjeita, kun poistat tukoksia, varastoit tai huollat ketjusahaa. Varmista, että kytkin on pois päältä ja akku on poistettu. Jos ketjusaha käynnistyy yllättäen kiinni juuttuneen materiaalin poistamisen tai huollon aikana, seurauksena voi olla vakava henkilövahinko.

Laitteen tai lisävarusteen käyttö tai toiminnon suoritus muuhun kuin tässä käyttöohjeessa suositeltuun käyttöön tai toimintoon voi tämän työkalun kanssa aiheuttaa henkilövahingon vaaran.

- ◆ Pukeudu tiukasti istuviin ja suojaaviin vaatteisiin ja käytä suojakypärää, visiiriä/suojalaseja, kuulonsuojaimia, luistamattomia turvajalkineita, suojahousuja ja vahvoja nahkakäsineitä.
- ◆ Pysyttele poissa putoavien oksien alta.
- ◆ Turvallinen etäisyys katkaistavan oksan ja sivullisten, rakennusten ja muiden rakenteiden välillä on vähintään 2,5 kertaa oksan pituus. Putoavat oksat voivat osua tätä etäisyyttä lähempänä oleviin sivullisiin, rakennuksiin tai muihin rakenteisiin ja aiheuttaa vaaratilanteita.
- ◆ Suunnittele turvallinen poistumisreitti putoavien oksien luota. Varmista, että aikomassasi väistämissuunnassa ei ole siirtymistä rajoittavia esteitä. Muista, että märkä ruoho ja juuri irronnut puunkuori ovat liukkaita.
- ◆ Varmista, että joku on lähellä (mutta turvallisen etäisyyden päässä) onnettomuuden varalta.
- ◆ Älä käytä työkalua ollessasi puussa, tikkailla tai jollakin muulla epävakaaalla alustalla.
- ◆ Huolehdi siitä, että sinulla on koko ajan tukeva jalansija ja hyvä tasapaino.
- ◆ Pidä työkalusta kiinni tukevasti molemmin käsin moottorin käydessä.
- ◆ Ketjun pyöriessä varo, ettei laipan kärki osu mihinkään kohteeseen.
- ◆ Aloita katkaisu vain ketjun pyöriessä täydellä nopeudella.
- ◆ Älä sahaa vanhasta sahausurasta. Tee aina uusi sahausviilto.
- ◆ Tarkkaile oksan liikkeitä, sillä katkaisukohtaan saattaa kohdistua voimaa, joka johtaa terän takertumiseen katkaisukohtaan.
- ◆ Älä yritä katkaista oksaa, joka on paksumpi kuin työkalun sahausvyvyys.
- ◆ Kun varastoit työkalun tai kuljetat sitä, poista akku aina ensin työkalusta ja aseta ketjukoppa ketjun päälle.
- ◆ Pidä teräketju terävänä ja oikealla kireydellä. Tarkista kireys säännöllisesti.
- ◆ Sammuta laite, anna teräketjun pysähtyä ja poista akku laitteesta, ennen kuin säädät tai huollat laitetta.
- ◆ Käytä aina vain alkuperäisiä varaosia ja lisävarusteita.
- ◆ Pidä kädensijat kuivina ja puhtaina öljystä ja rasvasta. Rasvaiset tai öljyiset kahvat ovat liukkaat, ja ote heiltää niistä helposti.
- ◆ Kaatopiikistä voi tulla terävä sahan käyttöaika. Käsittele varoen.
- ◆ Laippa voi kuumentua laitetta käsitellessä. Käsittele varoen.

Sähkötyökalujen lisäturvavaroitukset



Varoitus! Lisäturvavaroitukset kompakteille ketjusahoille.

Tarkoitettu käyttö on kuvattu tässä käyttöohjeessa. Älä käytä työkalua muihin tarkoituksiin, esimerkiksi puiden kaatamiseen.

Takapotkun syyt ja niiden estäminen

Takapotkun voi aiheuttaa laipan kärjen osuminen johonkin tai terän jääminen puristuksiin.

Laipan kärjen osuminen kiinteään kohteeseen voi potkaista pyörivän ketjun voimakkaasti päin sahaajaa. Teräketjun puristuminen laipan yläpintaan voi myös aiheuttaa nopean takapotkun.

Molemmat edellä kuvatuista tilanteista voivat johtaa ketjusahan hallinnan menetykseen ja loukkaantumiseen. Älä luota pelkästään ketjusahan turvalaitteisiin. Ketjusahan käyttäjän tulee itse huolehtia siitä, etteivät sahausolosuhteet aiheuta vaaratilanteita.

Takapotku on seuraus sahan vääristä käyttötavoista tai -olosuhteista ja sen voi välttää noudattamalla alla kuvattuja varotoimia.

- ◆ **Tartu ketjusahaan lujalla otteella kummastakin kahvasesta. Kun kädet pitävät kiinni ketjusahasta, asetu sellaiseen asentoon, että voit vastustaa takapotkua.** Sahaaja pystyy hyvin vastustamaan takapotkun voimaa noudattamalla esitetyjä varotoimia. Älä hellitä otettasi ketjusahasta kesken työn.
- ◆ **Älä kurkota liikaa äläkä sahaa hartiatason yläpuolella.** Näin estät tahattomat kärkikosketukset ja pystyt paremmin hallitsemaan ketjusahaa yllättävissä tilanteissa.
- ◆ **Käytä varaosina vain valmistajan suosittelemia laippoja ja ketjuja.** Sahaan sopimattomat laipat tai ketjut voivat johtaa ketjurikkoihin ja/tai takapotkuihin.
- ◆ **Noudata valmistajan antamia teräketjun teroitus- ja huolto-ohjeita.** Savyysohjaimen madaltaminen voi lisätä sahan alttiutta takapotkuihin.

Ketjusahan turvasuosituksen

- ◆ Ensikertalaisten ketjusahan käyttäjien on erittäin suositeltavaa kysyä käytännön ohjeita ja neuvoja kokeneelta sahaajalta. Laitteen käyttöä kannattaa opetella sahaamalla halkoja sahapukissa.
- ◆ Ketjusahan kuljetuksen aikana on suositeltavaa irrottaa akku ja pitää saha asennossa, jossa teräketju on taaksepäin.
- ◆ Pidä ketjusaha hyvässä kunnossa, kun se ei ole käytössä. Jos ketjusaha on pitkiä aikoja käyttämättä, irrota teräketju ja laippa ja säilytä ne öljyyn upotettuna. Säilytä ketjusahaa ja kaikkia sen osia kuivassa, turvallisessa paikassa poissa lasten ulottuvilta.
- ◆ Öljysäiliö kannattaa tyhjentää ennen varastointia.
- ◆ Varmista, että seisot tukevalla alustalla. Katso etukäteen turvallinen poistumisreitti kaatuvan puun tai putoavien oksien tieltä.
- ◆ Ohjaa puun kaatumissuuntaa kiiloilla. Kiilojen avulla voit myös estää ketjun ja laipan juuttumisen leikkausuraan.
- ◆ Teräketjun huoltaminen. Pidä teräketju terävänä ja sopivan tiukalla laipassa. Huolehdi siitä, että teräketju ja laippa ovat puhtaana ja hyvin öljytyt. Kahvojen tulee olla kuivat, puhtaana ja rasvattomat.

Takapotkun voi aiheuttaa:

- ◆ Sahan kärjen osuminen vahingossa oksiin tai muihin esineisiin ketjun pyöriessä.
- ◆ Terän osuminen puun lähellä tai sisällä olevaan metalliin, betoniin tai muuhun kovaan materiaaliin.
- ◆ Tylsä tai löysä ketju.
- ◆ Sahaamisen hartiatason yläpuolella.
- ◆ Tarkkaavaisuuden herpaantuminen ketjusahan käytön aikana.
- ◆ Kurkottaminen. Seiso aina tukevasti ja tasapainossa äläkä kurkota.
- ◆ Älä sahaa vanhasta sahausurasta. Se voi aiheuttaa takapotkun. Tee joka kerta uusi sahausviilto.
- ◆ Älä käytä ketjusahaa puussa, tikapuilla tai millään epävakaaalla alustalla. Jos teet niin, muista, että tällainen työskentelyasento on erittäin vaarallinen.
- ◆ Kun sahaat jännittyntä oksaa, huomioi, että se voi singahtaa takaisin.

Vältä:

- ◆ Käsitellyn puutavaran sahaamista.
- ◆ Maahan sahaamista.
- ◆ Verkkoaitojen, naulojen ja muiden sellaisten sahaamista.
- ◆ Pensaiden tai aivan pienten puiden sahaamista. Taipuisa oksa voi juuttua teräketjuun ja iskeä sahaajaan horjuttaen hänen tasapainoaan.
- ◆ Älä käytä ketjusahaa hartiatason yläpuolella.
- ◆ Varmista, että joku on lähellä (mutta turvallisen etäisyyden päässä) onnettomuuden varalta.
- ◆ Jos sinun on jostakin syystä kosketettava teräketjua, varmista, että ketjusaha on sammutettu ja sen akku on irrotettu.
- ◆ Tämän laitteen melutaso voi ylittää 80 dB(A). Tämän vuoksi on suositeltavaa käyttää asianmukaisia kuulonsuojaimia.

Muut riskit.

Myös muut kuin turvavaroituksissa mainitut riskit ovat mahdollisia laitetta käytettäessä. Nämä riskit voivat liittyä muun muassa virheelliseen tai pitkäaikaiseen käyttöön. Tiettyjä jäännösriskejä ei voi välttää, vaikka noudatetaan kaikkia turvamääräyksiä ja käytät turvalaitteita. Näitä ovat:

- ◆ Pyörivien tai liikkuvien osien koskettamisen aiheuttamat vahingot.
- ◆ Osia, terä tai lisävarusteita vaihdettaessa aiheutuneet vahingot.
- ◆ Työkalan pitkäaikaisen käytön aiheuttamat vahingot. Varmista, että pidät säännöllisesti taukoja laitteen pitkäaikaisen käytön aikana.
- ◆ Kuulon heikkeneminen.
- ◆ Työkäluä käytettäessä (esimerkiksi puuta, erityisesti tammea, pyökkiä ja MDF-levyjä käsitellessä) syntyneen pölyn sisäänhengityksen aiheuttamat terveysriskit.

Tärinä

Teknisissä tiedoissa ja vaatimustenmukaisuusvakuutuksessa ilmoitetut tärinä- ja melupäästöarvot on mitattu EN 62841 -standardin testausmenetelmän mukaisesti, ja arvoa voi käyttää työkalujen keskinäiseen vertailuun. Ilmoitettuja tärinä- ja melupäästöarvoja voi käyttää myös altistumisen alustavaan arviointiin.

Varoitus! Sähkötyökalun käytön aikana mitattu todellinen tärinä- ja melupäästöarvot voi poiketa ilmoitetusta tärinäpäästöarvosta työkalun käyttötavan mukaan. Tärinätasoa voi olla ilmoitettua tasoa suurempi.

Kun tärinälle altistumista arvioidaan sen määrittämiseksi, mitä direktiivin 2002/44/EY mukaisia turvatoimenpiteitä vaaditaan sähkötyökaluja säännöllisesti käyttävien henkilöiden suojelemiseksi, tärinälle altistumisen arvioinnissa on otettava huomioon todelliset käyttöolosuhteet ja työkalun käyttötavat. Todellisen käytön lisäksi on kiinnitettävä huomiota myös siihen, milloin työkalu on sammutettuna tai se käy tyhjäkäynnillä.

Työkalun tarrat

Työkaluun on merkitty päivämääräkoodi sekä seuraavat varoitusmerkinnot:



Varoitus! Käyttäjän on luettava käyttöohje vahinkojen välttämiseksi.



Älä käytä sahaa sateella tai kosteassa.



Käytä aina kypärää, kuulosuojaimia ja suojalaseja.



Käytä aina suojakäsineitä.



Käytä aina liukuesteturvajalkineita.



Pidä ketjusahaa aina hyvin molemmilla käsillä.



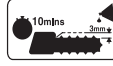
Kiinnitä huomiota ketjusahan takapotkuun ja vältä kosketusta laipan kärkeen.



Älä käytä ketjusahaa yhdellä kädellä.



Varo putoavia esineitä. Pidä sivulliset loitolla



Varmista jatkuva turvallinen toiminta tarkistamalla ketjun kireys tässä käyttöohjeessa kuvatulla tavalla aina 10 käyttöminuutin jälkeen. Säädä ketjua takaisin 3 mm:n välykseen tarpeen vaatiessa. Lisää ketjun voiteluöljyä 10 minuutin välein.



Varoitus! Älä kosketa ketjua lastujen poistoaukon kohdalla



Ketjun pyörimissuunta.



Jatkuva turvallinen toiminta edellyttää, että teräketju ja laippa vaihdetaan vain alkuperäisiin BLACK+DECKERin varaosiin. Varaosana saatavan ketjun tuotenumero on A6158 ja laipan 90619609.



Sammuta laite. Poista akku ennen työkalun huoltamista.



Direktiivin 2000/14/EY mukainen taattu ääniteho.

Akkuja ja laturia koskevat lisäturvaohjeet

Akut

- ◆ Älä koskaan yritä avata mistään syystä.
- ◆ Älä anna akun kastua.
- ◆ Älä altista akkua kuumuudelle.
- ◆ Älä säilytä akkuja tiloissa, joissa lämpötila voi nousta yli 40 °C:een.
- ◆ Lataa akku paikassa, jonka lämpötila on vähintään 10 °C ja enintään 40 °C.
- ◆ Käytä akun lataamiseen vain laitteen mukana toimitettua laturia. Väärän tyyppinen laturi voi aiheuttaa sähköiskun tai akun ylikuumentumisen.
- ◆ Noudata akkuja hävittäessäsi kohdassa "Ympäristönsuojelu" annettuja ohjeita.
- ◆ Suojaa akkua vahingoittumiselta niin, ettei sen kotelo rikkoudu eikä siihen kohdistu iskuja, sillä muuten voi syntyä henkilövahinkojen ja tulipalon vaara.
- ◆ Älä lataa viallisia akkuja.

Vaativissa oloissa voi ilmetä akkuvuotoja. Jos havaitset akkujen pinnalla nestettä, pyyhi se huolellisesti pois. Vältä ihokosketusta.

Jos nestettä joutuu silmiin tai iholle, noudata alla olevia ohjeita.

Varoitus! Akkuneste voi aiheuttaa aineellisia vahinkoja tai henkilövahinkoja. Jos nestettä joutuu iholle, se on välittömästi huuhdeltava pois vedellä. Jos ihoa kirvelee tai se punottaa tai on muuten ärtynyt, kysy lisäohjeita lääkäriltä. Jos nestettä joutuu silmiin, huuhto välittömästi puhtaalla vedellä ja mene lääkäriin.

Laturit

Varoitus! Laturi on tarkoitettu tietyille jännitteelle. Tarkista aina, että verkkojännite vastaa arvokilvessä ilmoitettua jännitettä.

Varoitus! Älä yritä vaihtaa laturiin tavallista verkkovirran pistoketta.

- ◆ Käytä BLACK+DECKERin laturia vain laitteen/työkalun mukana toimitetun akun lataamiseen. Muut akut voivat räjähtää ja aiheuttaa henkilövahinkoja tai aineellisia vahinkoja.
- ◆ Älä koskaan yritä ladata akkuja, joita ei ole tarkoitettu ladattavaksi.
- ◆ Jos virtajohto vahingoittuu, sen vaihtaminen on turvallisuussyistä jätettävä valmistajan tai valtuutetun BLACK+DECKER-huoltopalvelun tehtäväksi.
- ◆ Älä altista laturia vedelle.
- ◆ Älä avaa laturia.
- ◆ Älä työnnä mitään laturin sisään.
- ◆ Laturin on oltava lataamisen aikana paikassa, jossa on kunnollinen ilmanvaihto.

Laturin merkinnät

Laturissa on seuraavat merkinnät:



Laturi on tarkoitettu ainoastaan sisäkäyttöön.



Lue käyttöohjeet huolellisesti ennen laitteen käyttöä.

Sähköturvallisuus



Laturi on kaksoiseristetty, joten erillistä maadoitusta ei tarvita. Tarkista aina, että verkkojännite vastaa arvokilvessä ilmoitettua jännitettä. Älä yritä vaihtaa laturiin tavallista verkkovirran pistoketta.

- ◆ Jos virtajohto vahingoittuu, sen vaihtaminen on turvallisuussyistä jätettävä valmistajan tai valtuutetun BLACK+DECKER-huollon tehtäväksi.

Yleiskuvasu

1. Virtakytkin
2. Lukituspainike

3. Öljysäiliön tulppa
4. Öljysäiliö
5. Etusuojus
6. Ketjukuppa
7. Ketjun kireyden säätöruuvi
8. Ketju
9. Laippa
10. Akku
11. Teräsuojus
12. Laturi

Asennus

Varoitus! Irrota akku (10) aina ennen kokoamista.

Akun kiinnittäminen ja irrottaminen (kuva A)

- ◆ Kiinnitä akku (10) asettamalla se koneen liitännän kanssa samaan linjaan. Liu'uta akkua (10) liitäntään, kunnes akku (10) lukittuu paikalleen.
- ◆ Irrota akku (10) painamalla vapautuspainiketta (24) samalla kun vedät akkua (10) irti.

Varoitus! Jotta sahaa ei käynnistetä vahingossa, irrota akku ja varmista, että teräsuojus (11) on paikallaan teräketjun (8) päällä ennen kuin suoritat seuraavat toimenpiteet. Jos näin ei menetellä, seurauksena saattaa olla vakava tapaturma.

Akun lataaminen (kuva B)

Lataa akku ennen ensimmäistä käyttökertaa ja aina, kun se ei enää tuota riittävästi virtaa toimintoihin, jotka aiemmin sujuivat helposti. Akku voi lämmetä ladattaessa. Tämä on normaalia, eikä se ole merkki mistään viasta.

Varoitus! Älä lataa akkua alle 10 °C tai yli 40 °C asteen lämpötilassa. Suositeltava latauslämpötila on noin 24 °C.

Huomautus: Laturi ei lataa akkuja, jos akun kennon lämpötila on alle 10 °C tai yli 40 °C. Akut on kuitenkin jätettävä laturiin. Laturi aloittaa lataamisen automaattisesti, kun kennon lämpötila laskee tai nousee sallitulle lämpötila-alueelle.

- ◆ Lataa akku (10) asettamalla se laturiin (12). Akku voidaan asettaa laturiin vain yhdellä tavalla. Älä pakota. Varmista, että akku on kunnolla laturissa.
- ◆ Kytke laturi pistorasiaan.

Lataustilan ilmaisin (23) vilkkuu.

Akku on ladattu, kun latauksen merkkivalo (23) palaa keskeytyksettä. Akun voi jättää laturiin vaikka kuinka pitkäksi aikaa.

Merkkivalo vilkkuu ajoittain ns. täydennyslatauksen aikana.

- ◆ Lataa akut viikon kuluessa tyhjentymisestä. Akkujen käyttöikä lyhenee merkittävästi, jos ne jätetään tyhjiksi pitkäksi aikaa.

Akun jättäminen laturiin

Akku voidaan jättää laturiin, kun merkkivalo palaa. Laturi pitää akun käyttövalmiina ja ladattuna.

Teräketjun asentaminen ja irrottaminen (kuvat C–E, G)



Pidä aina suojakäsineitä asentaessasi tai irrottaessasi teräketjua (8). Teräketju on terävä ja voi aiheuttaa haavan myös liikkumattomana ollessaan.

- ◆ Aseta työkalu tukevalle ja vakaalle pinnalle.
- ◆ Löysää kuusiokoloruuvit (14) työkalun mukana toimitetulla kuusiokoloavaimella (21). Irrota kuusiokoloruuvit (14).
- ◆ Poista ketjukoppa (6).
- ◆ Kierrä ketjun kireyden säätöruuvia (7) vastapäivään niin, että laippa (9) vetäytyy ja teräketjun (8) kireys vähenee.
- ◆ Irrota vanha teräketju (8) hammaspyörästä (15) ja laipasta (9).
- ◆ Aseta uusi teräketju (8) laipan (9) uraan ja hammaspyörän (15) ympärille. Varmista, että hampaat ovat oikeassa suunnassa tarkistamalla, että teräketjun (8) nuolet osoittavat samaan suuntaan kuin ketjukopan (6) nuolet.
- ◆ Varmista, että laipassa (9) oleva kolo (17) on kohdistustappien (18) yläpuolella ja että kolon alapuolella oleva reikä (20) on säätönupin (19) kohdalla.
- ◆ Aseta ketjukoppa (6) paikalleen ja kiinnitä kuusiokoloruuvit (14).
- ◆ Kiristä kuusiokoloruuvit (14) työkalun mukana toimitetulla kuusiokoloavaimella (21).
- ◆ Säädä ketjun kireys jäljempänä kuvatulla tavalla.

Ketjun kireyden tarkastus ja säätö (kuvat C–F)

- ◆ Tarkista teräketjun kireys. Kireys on oikea, kun teräketjua (8) voi keskisormella ja peukalolla kevyesti nostaa laipasta (9) irti 3 mm:n verran niin, että vapauttamisen jälkeen ketju napsahtaa takaisin. Teräketju (8) ei saa roikkua laipan (9) alapuolella.

Kireyden säätö:

- ◆ Löysää kuusiokoloruuvit (14).
- ◆ Kierrä ketjun kireyden säätöruuvia (7) myötäpäivään.

Varoitus! Älä kiristä ketjua liian tiukalle, koska tällöin laippa ja ketju kuluvat loppuun ennenaikaisesti.

- ◆ Kun ketjun kireys on oikea, kiristä kuusiokoloruuvit (14).

Varoitus! Kun teräketju on uusi, tarkista kireys usein kahden ensimmäisen käyttötunnin aikana, sillä uusi teräketju venyy jonkin verran.

Öljysäiliön täyttäminen (kuva G)

- ◆ Irrota säiliön (4) korkki (3) ja täytä säiliö suositellulla ketjuöljyllä. Öljytaso voidaan tarkistaa öljysäiliöstä (4). Kierrä säiliön tulppa (3) takaisin paikalleen.

- ◆ Sammuta ketjusaha ja tarkista öljytaso säännöllisesti. Jos öljyä on alle 1/4, irrota työkalun akku (10) ja lisää säiliöön (4) oikeanlaista öljyä.

Ketjun voitelu (kuva G)

Teräketju (8) on voideltava ennen jokaista käyttökertaa ja puhdistuksen jälkeen käyttämällä oikeaa öljyä (tuotenro A6027).

- ◆ Voitele teräketju (8) painamalla nuppia öljykorkissa (3) kahdesti ennen jokaista leikkausta ja pitämällä nuppia alhaalla 3–4 sekuntia.

Käyttö

Käynnistäminen ja sammuttaminen (kuva G)

Varoitus! Anna työkalun käydä omaan tahtiinsa. Vältä ylikuormitusta.

Käyttöturvallisuuden lisäämiseksi tämä työkalu on varustettu käynnistysvarmistimella. Järjestelmä estää työkalun tahattoman käynnistämisen.

Käynnistäminen

- ◆ Paina lukituspainiketta (2) ja paina samanaikaisesti virtakytkintä (1).
- ◆ Vapauta lukituspainike (2).

Sammuttaminen

- ◆ Päästä irti virtakytkimestä (1).

Varoitus! Älä koskaan yritä lukita kytkintä päälle.

Puiden karsiminen (kuva H)

Varmista etukäteen, että puun karsiminen on luvallista.

Puiden karsinta tulee jättää kokeneen käyttäjän tehtäväksi, koska teräketjun (8) kiinnijäämisen ja takapotkujen vaara on suurempi.

Ennen karsintaa on arvioitava oksien putoamissuuntaan vaikuttavat tekijät, kuten

- ◆ katkaistavan oksan pituus ja paino
- ◆ poikkeuksellisen raskaat oksat tai lahot kohdat
- ◆ ympäröivät puut ja esteet ja yli kulkevat johdot
- ◆ tuulen nopeus ja suunta.
- ◆ oksan kiinnittyminen muihinoksiin.

Sahaajan on ensin selvitettävä, miten karsintakohtaan päästään ja mihin oksa putoaa. Katkaistavat oksat kallistuvat puun runkoa kohti. Alla olevat sivulliset ja esineet ovat tällöin vaarassa.

Sälöytymisen estämiseksi oksaa sahataan ensin alhaalta päin enintään kolmasosan verran oksan paksuudesta. Sen jälkeen sahataan ylhäältä päin suoraan kohti alaleikkausta.

Kevyt leikkaus (kuva I)

Sahaustapa määräytyy tukin tuennan perusteella. Käytä sahapukkia aina, kun mahdollista.

Aloita sahaus aina siten, että teräketju (8) pyörii ja kaatopiikit ovat kiinni puussa. Sahaat tukki poikki kallistamalla sahaa puuta vasten olevien kaatopiikkien varassa.

Kun puu on tuettuna koko pituudeltaan:

- ◆ Sahaat alaspäin. Estä teräketjun kosketus maahan, koska muuten ketju tylsyy nopeasti.
Kun puu on tuettuna molemmista päistään:
- ◆ Sahaat ensin alaspäin 1/3 säilytymisen estämiseksi.
Sahaat sitten toiselta puolelta loppuun.
Kun tukki on tuettuna toisesta päistään:
- ◆ Sahaat ensin alta 1/3 rungon paksuudesta säilytymisen estämiseksi ja sitten loppuun ylhäältä alaspäin.
Rinteessä:
- ◆ Seiso aina ylämäen puolella. Sahapukkia käytettäessä (kuva 1):
Sahapukin käyttö on suositeltavaa aina, kun se on mahdollista.
- ◆ Aseta puu vakaasti sahauspukille. Sahaat aina sahapukin reunojen ulkopuolelta. Sido sahattava puu hihnalla tai puristimella.

Puhdistus, hoito ja säilytys

BLACK+DECKER-työkalu on suunniteltu toimimaan mahdollisimman pitkän aikaa mahdollisimman vähällä huollolla.

Oikea käsittely ja säännöllinen puhdistus varmistavat laitteen ongelmattoman toiminnan.

Laturi ei tarvitse säännöllisen puhdistamisen lisäksi mitään muuta huoltoa.

Varoitus! Poista akku ennen työkalun huoltamista. Irrota laturi pistorasiasta ennen laturin puhdistamista.

Käytön jälkeen ja ennen varastointia

Puhdista ilma-aukot puhtaalla, kuivalla maalisivellimellä.

Käytä työkalun puhdistukseen vain mietoa saippuuliuosta ja kosteaa riepua. Älä koskaan päästä nestettä valumaan työkalun sisään äläkä upota mitään työkalun osaa nesteeseen.

- ◆ Poista roskat kovalla harjalla.
- ◆ Voitele ketju (8) öljyllä.

Teräketjun teroittaminen

Jotta saha toimisi parhaalla mahdollisella tavalla, ketjun hampaat on pidettävä terävinä.

Teroitinpaketissa on ohjeet tähän. Suosittelemme BLACK+DECKER-teroituspaketin hankkimista, saatavana valtuutetuista BLACK+DECKER-huoltoilikkeistä ja jälleenmyyjiltä (tuotenro A6039).

Kuluneiden tai vaurioituneiden teräketjujen ja -laippojen vaihtaminen

Uusia ketjuja on saatavilla jälleenmyyjiltä sekä BLACK+DECKER-huoltoedustajilta (tuotenro A6158), uusia terälaippoja on saatavilla vain BLACK+DECKER-huoltoedustajilta (tuotenro 90517720). Vältä loukkaantumisaara käyttämällä vain alkuperäisiä BLACK+DECKER-ketjuja ja -laippoja. Käytä aina vain alkuperäisiä varaosia.

Teräketjun terävyys

Ketjun leikkuterät tylsyvät heti, jos ne sahattaessa osuvat maahan tai naulaan.

Teräketjun kireys

Tarkista teräketjun kireys säännöllisesti.

Miten toimia, jos ketjusaha vaatii korjausta.

Työkalu täyttää asianmukaisten turvaohjeiden vaatimukset. Korjauksia saa tehdä vain Black & Deckerin valtuuttama huoltoilike, joka käyttää alkuperäisosa, muutoin koneen käyttäjälle voi aiheuta vaaratilanteita. Suosittelemme tämän käyttöohjeen säilyttämistä turvallisessa paikassa.

Säilytys

Kun työkalua ei ole tarkoitus käyttää pitkään aikaan, jätä akku (10) kytketyksi laturiin.

Muutoin toimi seuraavasti:

- ◆ Poista akku (10) työkalusta.
- ◆ Lataa akku (10) täyteen.
- ◆ Säilytä työkalua ja akkua (10) turvallisessa ja kuivassa paikassa. Säilytyspaikan lämpötilan täytyy aina olla +10 °C - +40 °C. Aseta akku (10) tasaiselle alustalle.
- ◆ Lataa akku (10) täyteen, ennen kuin käytät työkalua pitkäaikaisen säilytyksen jälkeen.

Ympäristönsuojelu



Toimita tämä laite erilliskeräykseen. Tällä symbolilla merkityjä tuotteita ja akkuja ei saa hävittää tavallisen kotitalousjätteen mukana.

Tuotteissa ja akuissa on materiaaleja, jotka voidaan ottaa talteen tai kierrättää uudelleen käyttöä varten.

Kierrätä sähkölaitteet ja akut paikallisten määräyksien mukaan. Lisätietoa on saatavilla osoitteessa www.2helpU.com

Tekniset tiedot

GKC1820L 20 Tyyppi 3		
Jännite	V _{DC}	18
Ketjun nopeus (kuormittamattomana)	m/min	190
Paino	kg	1,55

GKC1820L 20 Tyyppi 3		
Akku		BL2018
Jännite	V_{DC}	18
Kapasiteetti	Ah	2,0
Tyyppi		Li-Ion
Laturi		905902**TYYPPI 1
Tulojännite	V_{AC}	100–240
Lähtöjännite	V_{DC}	8–20
Latausvirta	mA	400

Taattu äänenpainetaso, mitattu standardin EN62841 mukaisesti:

LpA (äänenpainetaso) 78 dB(A), epävarmuus (K) 3 dB(A)
LwA (mitattu äänitehotaso) 94 dB(A), epävarmuus (K) 1,9 dB(A)

Tärinän kokonaisarvot (vektorisumma) standardin EN 62841 mukaisesti:

Tärinäpäästöarvo ($a_{h\sqrt{}}$) = 5,5 m/s², epävarmuus (K) = 1,5 m/s²

EY-vaatimustenmukaisuusvakuutus

KONEDIREKTIIVI



GKC1820L 20 – Kompakti ketjusaha

Black & Decker ilmoittaa, että Tekniset tiedot -kohdassa kuvatut tuotteet täyttävät seuraavien direktiivien vaatimukset: 2006/42/EY,

EN 62841-1:2015+A11:2022, EN 62841-4-1:2020
LWA (mitattu äänitehotaso) 94 dB(A), epävarmuus (K) = 1,9 dB (A),

LWA (taattu ääniteho) 96 dB(A)

Nämä tuotteet täyttävät myös direktiivien 2014/30/EU ja 2011/65/EU vaatimukset.

Lisätietoja saa ottamalla yhteyden Black & Deckeriin seuraavassa osoitteessa. Tiedot ovat myös käyttöohjeen takakannessa.

Allerkirjoittanut vastaa teknisten tietojen kokoamisesta tehden tämän ilmoituksen Black & Deckerin puolesta.

Patrick Diepenbach

Patrick Diepenbach
Pääjohtaja, Benelux
Black & Decker,
Egide Walschaertsstraat 14-18
2800 Mechelen, Belgia
08.9.2022

Takuu

Black & Decker on vakuuttanut tuotteidensa korkeasta laadusta ja tarjoaa kuluttajille 24 kuukauden takuun, joka astuu voimaan ostopäivänä. Takuu on lisäys kuluttajan laillisiin oikeuksiin eikä vaikuta niihin.

Tämä takuu on voimassa kaikissa EU- ja ETA-maissa sekä Isossa-Britanniassa.

Edellytyksenä takuun saamiselle on, että vaade täyttää Black & Deckerin ehdot ja että ostaja toimittaa ostotositteen jälleenmyyjälle tai valtuutetulle huoltoilikeelle. Black & Deckerin kahden vuoden takuun ehdot ja lähimmän valtuutetun korjauspalvelun yhteystiedot ovat saatavilla osoitteessa www.2helpU.com tai ottamalla yhteyttä paikalliseen Black & Deckerin toimipisteeseen tässä ohjekirjassa ilmoitettuihin osoitteisiin.

Käy verkkosivuiltamme osoitteessa www.blackanddecker.fi ja rekisteröi uusi BLACK+DECKER -tuotteesi saadaksesi tietoa uusista tuotteista ja erikoistarjouksista.

(Μετάφραση των πρωτότυπων οδηγιών)

ΕΛΛΗΝΙΚΑ

Προβλεπόμενη χρήση

Το αλυσοπρίονο συμπανών διαστάσεων BLACK+DECKER™ GKC1820L 20 έχει σχεδιαστεί για ελαφρού τύπου εργασίες κοπής και κλαδέματος. Αυτό το εργαλείο προορίζεται μόνο για ερασιτεχνική χρήση.

Οδηγίες ασφαλείας

Γενικές προειδοποιήσεις ασφαλείας για ηλεκτρικά εργαλεία



Προειδοποίηση! Διαβάστε όλες τις προειδοποιήσεις ασφαλείας, τις οδηγίες, τις απεικονίσεις και τις προδιαγραφές που συνοδεύουν το ηλεκτρικό εργαλείο. Η μη τήρηση οποιασδήποτε από τις οδηγίες που αναφέρονται πιο κάτω μπορεί να έχει ως αποτέλεσμα ηλεκτροπληξία, πυρκαγιά και/ή σοβαρό τραυματισμό.

Φυλάξτε όλες τις προειδοποιήσεις και τις οδηγίες για μελλοντική αναφορά. Ο όρος "ηλεκτρικό εργαλείο" που χρησιμοποιείται σε όλες τις παρακάτω προειδοποιήσεις, αναφέρεται είτε σε εργαλείο που λειτουργεί με ρεύμα δικτύου (ρεύματος - με καλώδιο) είτε σε εργαλείο που λειτουργεί με μπαταρία (μπαταρίας - χωρίς καλώδιο).

1. Ασφάλεια χώρου εργασίας

α. Διατηρείτε τον χώρο εργασίας καθαρό και καλά φωτισμένο. Οι ατακτοποιητοί ή σκοτεινοί χώροι γίνονται αιτίες ατυχημάτων.

- β. Μη χρησιμοποιείτε ηλεκτρικά εργαλεία σε περιβάλλον όπου υπάρχει κίνδυνος έκρηξης, όπως με παρουσία εύφλεκτων υγρών, αερίων ή σκόνης.** Τα ηλεκτρικά εργαλεία παράγουν σπινθήρες που μπορεί να προκαλέσουν ανάφλεξη της σκόνης ή των αναθυμιάσεων.
- γ. Όταν χρησιμοποιείτε ηλεκτρικό εργαλείο, κρατάτε μακριά τα παιδιά και παρευρισκόμενα άτομα.** Παράγοντες που αποσπούν την προσοχή μπορεί να σας κάνουν να χάσετε τον έλεγχο.
- 2. Ασφαλής χρήση ηλεκτρικού ρεύματος**
- α. Τα φως των ηλεκτρικών εργαλείων πρέπει να ταιριάζουν στην πρίζα. Σε καμία περίπτωση μην τροποποιήσετε το φως, με κανένα τρόπο. Μη χρησιμοποιείτε φως προσαρμογής με γειωμένα ηλεκτρικά εργαλεία.** Τα φως που δεν έχουν υποστεί τροποποιήσεις και οι κατάλληλες πρίζες μειώνουν τον κίνδυνο ηλεκτροπληξίας.
- β. Αποφεύγετε την επαφή του σώματός σας με γειωμένες επιφάνειες, όπως σωλήνες, σώματα καλοριφέρ, κουζίνες και ψυγεία.** Υπάρχει αυξημένος κίνδυνος ηλεκτροπληξίας αν το σώμα σας είναι γειωμένο.
- γ. Μην εκθέσετε ηλεκτρικά εργαλεία σε βροχή ή υγρασία.** Η διείσδυση νερού σε ένα ηλεκτρικό εργαλείο αυξάνει τον κίνδυνο ηλεκτροπληξίας.
- δ. Μην κακομεταχειρίζεστε το καλώδιο. Ποτέ μη χρησιμοποιήσετε το καλώδιο για να μεταφέρετε, να τραβήξετε ή να αποσυνδέσετε από την πρίζα το ηλεκτρικό εργαλείο. Κρατάτε το καλώδιο μακριά από θερμότητα, λάδια, αιχμηρά άκρα ή κινούμενα μέρη.** Τα καλώδια που έχουν υποστεί ζημιά ή είναι μπερδεμένα αυξάνουν τον κίνδυνο ηλεκτροπληξίας.
- ε. Όταν χρησιμοποιείτε ηλεκτρικό εργαλείο σε εξωτερικούς χώρους, χρησιμοποιήστε πάντοτε καλώδιο προέκτασης κατάλληλο για εργασία σε εξωτερικούς χώρους.** Η χρήση καλωδίου κατάλληλου για εργασία σε εξωτερικούς χώρους μειώνει τον κίνδυνο ηλεκτροπληξίας.
- στ. Εάν είναι αναπόφευκτη η χρήση ενός ηλεκτρικού εργαλείου σε συνθήκες υγρασίας, χρησιμοποιήστε μια διάταξη προστασίας από ρεύμα διαρροής (RCD).** Η χρήση μιας διάταξης RCD μειώνει τον κίνδυνο ηλεκτροπληξίας.
- 3. Προσωπική ασφάλεια**
- α. Όταν χρησιμοποιείτε ηλεκτρικό εργαλείο, να είστε σε εγρήγορση, να συγκεντρώνεστε στην εργασία που κάνετε και να επιστρατεύετε την κοινή λογική. Μη χρησιμοποιείτε ηλεκτρικό εργαλείο όταν είστε κουρασμένος/η υπό την επήρεια ναρκωτικών, οινοπνεύματος ή φαρμακευτικής αγωγής.** Μια στιγμή απροσεξίας κατά τη χρήση ηλεκτρικών εργαλείων μπορεί να προκαλέσει σοβαρό τραυματισμό.
- β. Χρησιμοποιείτε ατομικό εξοπλισμό προστασίας. Πάντα φοράτε προστασία ματιών.** Ο εξοπλισμός προστασίας, όπως μάσκα κατά της σκόνης, αντιολισθητικά παπούτσια ασφαλείας, κράνος ή προστασία ακοής, όταν χρησιμοποιείται για τις κατάλληλες συνθήκες, θα μειώσει τους τραυματισμούς και τις σωματικές βλάβες.
- γ. Αποτρέπετε την ακούσια ενεργοποίηση. Βεβαιωθείτε ότι ο διακόπτης βρίσκεται στη θέση απενεργοποίησης πριν συνδέσετε το εργαλείο σε πηγή ρεύματος και/ή τοποθετήσετε πακέτο μπαταριών, καθώς και πριν πάρετε στα χέρια σας ή μεταφέρετε το εργαλείο.** Η μεταφορά ηλεκτρικών εργαλείων με το δάχτυλο πάνω στον διακόπτη ή η σύνδεση στο ρεύμα ηλεκτρικών εργαλείων με τον διακόπτη στη θέση ενεργοποίησης, ενέχει κινδύνους ατυχημάτων.
- δ. Πριν θέσετε σε λειτουργία το ηλεκτρικό εργαλείο, αφαιρέστε τυχόν εργαλεία ή κλειδιά ρύθμισης.** Εάν αφήσετε ένα εργαλείο ή κλειδί πάνω σε κάποιο περιστρεφόμενο εξάρτημα του ηλεκτρικού εργαλείου, μπορεί να προκληθούν τραυματισμοί.
- ε. Μην τεντώνετε υπερβολικά. Διατηρείτε πάντα σταθερή στήριξη στα πόδια σας και καλή ισορροπία.** Έτσι μπορείτε να έχετε καλύτερο έλεγχο του ηλεκτρικού εργαλείου σε μη αναμενόμενες καταστάσεις.
- στ. Φοράτε κατάλληλη ενδυμασία εργασίας. Μη φοράτε φαρδιά ρούχα ή κοσμήματα. Κρατάτε τα μαλλιά, τα ρούχα και τα γάντια σας μακριά από κινούμενα μέρη.** Τα φαρδιά ρούχα, τα κοσμήματα και τα μακριά μαλλιά μπορούν να πιαστούν σε κινούμενα μέρη.
- ζ. Αν παρέχονται διατάξεις για τη σύνδεση συστημάτων απομάκρυνσης και συλλογής της σκόνης, βεβαιωθείτε ότι αυτές είναι συνδεδεμένες και χρησιμοποιούνται σωστά.** Η χρήση διατάξεων συλλογής της σκόνης μπορεί να μειώσει τους κινδύνους που προέρχονται από τη σκόνη.
- η. Μην αφήνετε την εξοικείωση που έχετε αποκτήσει από τη συχνή χρήση εργαλείων να σας επιτρέψει να εφησυχάσετε ώστε να αγνοείτε τις αρχές ασφαλούς χρήσης των εργαλείων.** Μια απρόσδεκτη ενέργεια μπορεί να προκαλέσει βαρύ τραυματισμό μέσα σε κλάσματα του δευτερολέπτου.
- 4. Χρήση και φροντίδα ηλεκτρικών εργαλείων**
- α. Μην ασκείτε υπερβολική δύναμη στο ηλεκτρικό εργαλείο. Χρησιμοποιείτε το σωστό ηλεκτρικό εργαλείο για την εφαρμογή σας.** Το σωστό ηλεκτρικό εργαλείο θα εκτελέσει την εργασία καλύτερα και ασφαλέστερα, με την ένταση χρήσης για την οποία σχεδιάστηκε.
- β. Μη χρησιμοποιήσετε το ηλεκτρικό εργαλείο αν ο διακόπτης του δεν μπορεί να το ενεργοποιεί και απενεργοποιεί.**

Αν σε οποιοδήποτε ηλεκτρικό εργαλείο η λειτουργία δεν μπορεί να ελεγχθεί με τον διακόπτη, το εργαλείο είναι επικίνδυνο και πρέπει να επισκευαστεί.

- γ. Αποσυνδέστε το φως από την πηγή ρεύματος και/ή αφαιρέστε το πακέτο μπαταριών από το ηλεκτρικό εργαλείο, πριν πραγματοποιήσετε οποιαδήποτε ρύθμιση, αλλαγή αξεσουάρ ή όταν πρόκειται να αποθηκεύσετε το ηλεκτρικό εργαλείο.**
Τέτοια προληπτικά μέτρα ασφαλείας μειώνουν το κίνδυνο αθέλητης εκκίνησης του ηλεκτρικού εργαλείου.
- δ. Φυλάσσετε μακριά από παιδιά τα ηλεκτρικά εργαλεία που δεν χρησιμοποιείτε. Μην αφήνετε να χρησιμοποιήσουν ηλεκτρικό εργαλείο άτομα που δεν είναι εξοικειωμένα με αυτό ή άτομα που δεν έχουν διαβάσει αυτές τις οδηγίες χρήσης.** Τα ηλεκτρικά εργαλεία είναι επικίνδυνα στα χέρια μη εκπαιδευμένων χρηστών.
- ε. Συντηρείτε τα ηλεκτρικά εργαλεία. Ελέγχετε για προβλήματα ευθυγράμμισης ή για μάγκωμα των κινούμενων εξαρτημάτων, θραύση εξαρτημάτων, καθώς και για οποιοδήποτε άλλο πρόβλημα μπορεί να επηρεάσει τη λειτουργία των ηλεκτρικών εργαλείων. Αν το ηλεκτρικό εργαλείο έχει υποστεί ζημιά, παραδώστε το για επισκευή πριν το χρησιμοποιήσετε. Η ανεπαρκής συντήρηση των ηλεκτρικών εργαλείων αποτελεί αιτία πολλών ατυχημάτων.**
- στ. Διατηρείτε τα κοπτικά εργαλεία κοφτερά και καθαρά.** Τα κοπτικά εργαλεία με κοφτερές κοπτικές αιχμές που συντηρούνται σωστά έχουν λιγότερες πιθανότητες να μαγκώσουν και ελέγχονται ευκολότερα.
- ζ. Χρησιμοποιείτε το ηλεκτρικό εργαλείο, τα αξεσουάρ και τα εξαρτήματα εργασίας του εργαλείου κλπ. σύμφωνα με τις παρούσες οδηγίες, λαμβάνοντας υπόψη σας τις συνθήκες εργασίας και την εργασία που θέλετε να εκτελέσετε.** Η χρήση του ηλεκτρικού εργαλείου για εργασίες διαφορετικές από τις προβλεπόμενες θα μπορούσε να οδηγήσει σε επικίνδυνη κατάσταση.
- η. Διατηρείτε τις λαβές και τις επιφάνειες κρατήματος στεγνές, καθαρές και απαλλαγμένες από λάδι και γράσο. Οι ολισθηρές λαβές και επιφάνειες κρατήματος δεν επιτρέπουν τον ασφαλή χειρισμό και έλεγχο του εργαλείου σε μη αναμενόμενες καταστάσεις.**

5. Χρήση και φροντίδα εργαλείων μπαταρίας

- α. Επαναφορτίξτε μόνο με τον φορτιστή που καθορίζει ο κατασκευαστής.** Ένας φορτιστής που είναι κατάλληλος για ένα τύπο πακέτου μπαταριών μπορεί να δημιουργήσει κίνδυνο πυρκαγιάς αν χρησιμοποιηθεί με άλλο πακέτο μπαταριών.

β. Χρησιμοποιείτε τα ηλεκτρικά εργαλεία αποκλειστικά και μόνο με τα καθοριζόμενα πακέτα μπαταριών. Η χρήση άλλων πακέτων μπαταριών μπορεί να προκαλέσει κίνδυνο τραυματισμού και πυρκαγιάς.

- γ. Όταν το πακέτο μπαταριών δεν χρησιμοποιείται, κρατάτε το μακριά από άλλα μεταλλικά αντικείμενα, όπως συνδετήρες, κέρματα, κλειδιά, καρφιά, βίδες ή άλλα μικρά μεταλλικά αντικείμενα που μπορούν να βραχυκυκλώσουν τους δύο ακροδέκτες του.**
Αν βραχυκυκλωθούν οι ακροδέκτες της μπαταρίας, μπορεί να προκληθούν εγκαύματα ή πυρκαγιά.
- δ. Αν οι μπαταρίες υποστούν κακομεταχείριση, μπορεί να διαρρεύσει υγρό. Αποφύγετε την επαφή. Αν κατά λάθος έρθετε σε επαφή, ξεπλύνετε με νερό. Σε περίπτωση που το υγρό έλθει σε επαφή με τα μάτια σας, ζητήστε επιπλέον και ιατρική βοήθεια.** Το υγρό που διαρρέει από την μπαταρία μπορεί να προκαλέσει ερεθισμούς ή εγκαύματα.
- ε. Μη χρησιμοποιήσετε πακέτο μπαταριών ή εργαλείο που έχει υποστεί ζημιά ή τροποποίηση.** Οι μπαταρίες που έχουν υποστεί ζημιά ή τροποποίηση μπορεί να έχουν απρόβλεπτη συμπεριφορά, με αποτέλεσμα φωτιά, έκρηξη ή κίνδυνο τραυματισμού.
- στ. Μην εκθέσετε ένα πακέτο μπαταριών ή εργαλείο σε φωτιά ή υπερβολική θερμοκρασία.** Η έκθεση σε φωτιά ή σε θερμοκρασία πάνω από 130 °C μπορεί να προκαλέσει έκρηξη. ΣΗΜΕΙΩΣΗ: Η θερμοκρασία "130 °C" μπορεί να αντικατασταθεί από τη θερμοκρασία "265 °F".
- ζ. Τηρείτε όλες τις οδηγίες φόρτισης και μη φορτίζετε το πακέτο μπαταριών ή το εργαλείο εκτός των ορίων θερμοκρασίας που ορίζονται στις προδιαγραφές.** Η ακατάλληλη φόρτιση ή η φόρτιση σε θερμοκρασίες εκτός των προβλεπόμενων ορίων μπορεί να προξενήσει ζημιά στην μπαταρία και να αυξήσει τον κίνδυνο φωτιάς.

6. Σέρβις

- α. Αναθέτετε το σέρβις του ηλεκτρικού σας εργαλείου σε εξειδικευμένο τεχνικό επισκευών που χρησιμοποιεί μόνο γνήσια ανταλλακτικά.** Έτσι θα εξασφαλίσετε τη διατήρηση της ασφάλειας του ηλεκτρικού εργαλείου.
- β. Ποτέ μην κάνετε σέρβις σε πακέτα μπαταριών που έχουν υποστεί ζημιά.** Το σέρβις των πακέτων μπαταριών πρέπει να γίνεται μόνο από τον κατασκευαστή ή από εξουσιοδοτημένους παρόχους σέρβις (χρησιμοποιείται μόνο για εργαλεία μπαταρίας).

Γενικές προειδοποιήσεις ασφαλείας για αλυσόπριονα



Προειδοποίηση! Πρόσθετες προειδοποιήσεις ασφαλείας για αλυσόπριονα

- ◆ **Κρατάτε όλα τα μέρη του σώματος μακριά από την αλυσίδα όταν το αλυσοπρίονο βρίσκεται σε λειτουργία. Πριν θέσετε σε λειτουργία το αλυσοπρίονο, φροντίστε η αλυσίδα του πριονιού να μη βρίσκεται σε επαφή με οποιοδήποτε αντικείμενο.** Μια στιγμήα απροσεξία κατά το χειρισμό του αλυσοπρίονου μπορεί να οδηγήσει στην εμπλοκή του εργαλείου με τα ρούχα ή το σώμα σας.
- ◆ **Πάντα κρατάτε το αλυσοπρίονο με το δεξιό χέρι στην πίσω λαβή και το αριστερό στην μπροστινή λαβή.** Ποτέ δεν πρέπει να κρατάτε το αλυσοπρίονο με αντίθετη διάταξη χεριών γιατί αυξάνεται ο κίνδυνος προσωπικού τραυματισμού.
- ◆ **Κρατάτε το αλυσοπρίονο από μονωμένες επιφάνειες κρατήματος και μόνο, επειδή η αλυσίδα του πριονιού μπορεί να έρθει σε επαφή με αθέατα καλώδια.** Αν η αλυσίδα του πριονιού έρθει σε επαφή με καλώδιο υπό τάση, μπορεί να θέσει υπό τάση και τα εκτεθειμένα μεταλλικά μέρη του αλυσοπρίονου και να προκαλέσει ηλεκτροπληξία στον χειριστή.
- ◆ **Φοράτε προστασία ματιών.** Συνιστάται η χρήση περαιτέρω προστατευτικού εξοπλισμού για την ακοή, το κεφάλι, τα χέρια και τα πόδια. Ο κατάλληλος προστατευτικός εξοπλισμός μειώνει τον κίνδυνο τραυματισμού από εκτοξευόμενα θραύσματα ή την αθέλητη επαφή με την αλυσίδα του πριονιού.
- ◆ **Μην χρησιμοποιείτε αλυσοπρίονο ενώ βρίσκεστε πάνω σε δέντρο, κινητή σκάλα, στέγη ή σε οποιαδήποτε άλλη ασταθή επιφάνεια.** Ο χειρισμός του αλυσοπρίονου με αυτόν τον τρόπο, θα μπορούσε να οδηγήσει σε σοβαρό τραυματισμό.
- ◆ **Φροντίζετε να έχετε πάντοτε την κατάλληλη στάση και να χρησιμοποιείτε το αλυσοπρίονο μόνο όταν στέκεστε σε σταθερή, ασφαλή και οριζόντια επιφάνεια.** Οι ολισθηρές ή ασταθείς επιφάνειες όπως οι κινητές σκάλες μπορούν να προκαλέσουν απώλεια της ισορροπίας ή του ελέγχου του αλυσοπρίονου.
- ◆ **Όταν κόβετε ένα κλαδί που έχει καμφθεί, προσέχετε το ενδεχόμενο να νταχτεί πάλι προς το μέρος σας.** Όταν πάψει να σκευάται πίεση στις ίνες του ξύλου, το κλαδί που βρισκόταν σε κάμψη ενδέχεται να κτυπήσει το χειριστή και/ή το αλυσοπρίονο, με αποτέλεσμα την απώλεια του ελέγχου του αλυσοπρίονου.
- ◆ **Προσέχετε ιδιαίτερα όταν κόβετε θάμνους και δενδρύλλια.** Τα λεπτά και ευλύγιστα υλικά μπορεί να πιαστούν στην αλυσίδα του πριονιού και να νταχτούν προς το μέρος ή να σας κάνουν να χάσετε την ισορροπία σας.
- ◆ **Μεταφέρετε το αλυσοπρίονο από την μπροστινή λαβή με την αλυσίδα πριονιού σταματημένη και σε απόσταση από το σώμα σας.** Όταν αποθηκεύετε ή μετακινείτε το αλυσοπρίονο τοποθετείτε πάντα το κάλυμμα της λάμας-οδηγού.

Ο σωστός χειρισμός του αλυσοπρίονου μειώνει την πιθανότητα τυχαίας επαφής με την κινούμενη αλυσίδα του πριονιού.

- ◆ **Ακολουθήστε τις σχετικές οδηγίες σε ότι αφορά τη λίπανση, το τέντωμα της αλυσίδας και την αλλαγή αξεσουάρ.** Όταν μια αλυσίδα δεν έχει τεντωθεί ή λιπανθεί σωστά, μπορεί να σπάσει ή να έχει αυξημένη πιθανότητα ανάδρασης
- ◆ **Το εργαλείο προορίζεται αποκλειστικά για την κοπή ξύλου.**
Μη χρησιμοποιείτε το αλυσοπρίονο για εργασίες για τις οποίες δεν προορίζεται. Για παράδειγμα, μη χρησιμοποιείτε το αλυσοπρίονο για κοπή πλαστικών, ειδών τοιχοποιίας ή μη ξύλινων δομικών υλικών. Η χρήση του αλυσοπρίονου για εργασίες διαφορετικές από τις προβλεπόμενες θα μπορούσε να οδηγήσει σε επικίνδυνη κατάσταση.
- ◆ **Αυτό το αλυσοπρίονο δεν προορίζεται για κοπή ολόκληρων δένδρων.** Η χρήση του αλυσοπρίονου για εργασίες διαφορετικές από τις προβλεπόμενες μπορεί να έχει ως συνέπεια σοβαρό τραυματισμό του χειριστή ή παρευρισκομένων.
- ◆ **Τηρείτε όλες τις οδηγίες κατά την απομάκρυνση σφηνωμένου υλικού, την αποθήκευση ή συντήρηση του αλυσοπρίονου.** Βεβαιωθείτε ότι ο διακόπτης είναι απενεργοποιημένος και το πακέτο μπαταριών έχει αφαιρεθεί. Η μη αναμενόμενη ενεργοποίηση του αλυσοπρίονου κατά την απομάκρυνση σφηνωμένου υλικού ή τις εργασίες σέρβις, μπορεί να προκαλέσει τραυματισμό.

Πρόσθετες προειδοποιήσεις ασφαλείας για ηλεκτρικά εργαλεία



Προειδοποίηση! Πρόσθετες προειδοποιήσεις ασφαλείας για αλυσοπρίονα συμπαγών διαστάσεων.

Η προβλεπόμενη χρήση περιγράφεται στο παρόν εγχειρίδιο οδηγιών. Μην χρησιμοποιείτε το εργαλείο για εργασίες για τις οποίες δεν προορίζεται, για παράδειγμα μην το χρησιμοποιείτε για την κοπή δέντρων. Η χρήση οποιοδήποτε αξεσουάρ ή προσαρτήματος ή η εκτέλεση οποιασδήποτε εργασίας με αυτό το εργαλείο, πέραν των όσων συνιστώνται στο παρόν εγχειρίδιο οδηγιών, μπορεί να παρουσιάσει κίνδυνο τραυματισμού.

- ◆ Φοράτε εφαρμοστά και προστατευτικά ρούχα και προστατευτικό εξοπλισμό, όπως κράνος ασφαλείας με προστατευτικά γυαλιά, ιωσασπίδες, αντιολισθητικά παπούτσια ασφαλείας, προστατευτική φόρμα εργασίας και ανθεκτικά δερμάτινα γάντια.
- ◆ Να στέκεστε πάντα μακριά από την κατεύθυνση πτώσης των κλαδιών.

- ◆ Η ασφαλής απόσταση ενός προς κοπή κλαδιού από άτομα, κτίρια ή άλλα αντικείμενα ισούται τουλάχιστον με 2 1/2 φορές το μήκος του κλαδιού. Κάθε παρευρισκόμενος, κτίριο ή αντικείμενο που βρίσκεται μέσα σ' αυτή την απόσταση κινδυνεύει να χτυπηθεί από το κλαδί που θα πέσει.
- ◆ Σχεδιάστε μια ασφαλή διαφυγή από το δέντρο ή τα κλαδιά του καθώς πέφτουν. Βεβαιωθείτε ότι στη διαδρομή διαφυγής δεν θα υπάρχουν εμπόδια που θα καθιστούσαν αδύνατη ή θα δυσκόλευαν την κίνηση. Έχετε υπόψη ότι το υγρό γρασίδι και ο φλοιός δέντρου που έχει κοπεί πρόσφατα είναι ολισθηρά.
- ◆ Βεβαιωθείτε πως υπάρχει κάποιος κοντά (αλλά σε απόσταση ασφαλείας) για την περίπτωση ατυχήματος.
- ◆ Μη χρησιμοποιείτε το εργαλείο ενώ βρίσκεστε επάνω σε δέντρο, κινητή σκάλα ή οποιαδήποτε άλλη ασταθή επιφάνεια.
- ◆ Διατηρείτε πάντα σταθερή στήριξη στα πόδια σας και καλή ισορροπία.
- ◆ Κρατάτε σταθερά το εργαλείο και με τα δύο χέρια, όταν το μοτέρ βρίσκεται σε λειτουργία.
- ◆ Μην επιτρέψετε να έλθει σε επαφή η κινούμενη αλυσίδα με οποιοδήποτε αντικείμενο στο άκρο της λάμας-οδηγού αλυσίδας.
- ◆ Ξεκινήστε την κοπή κάποιου αντικειμένου μόνο εφόσον η αλυσίδα κινείται με τη μέγιστη ταχύτητα.
- ◆ Μην προσπαθήσετε να εισαγάγετε το εργαλείο σε προηγούμενη τομή. Δημιουργείτε πάντα μια νέα τομή.
- ◆ Προσέχετε για τυχόν κλαδιά που μετακινούνται ή για άλλες δυνάμεις που θα μπορούσαν να κλείσουν μια τομή και να μαγκώσουν την αλυσίδα ή να πέσουν στην αλυσίδα.
- ◆ Μην επιχειρήσετε να κόψετε κάποιο κλαδί η διάμετρος του οποίου υπερβαίνει το μήκος κοπής του εργαλείου.
- ◆ Αφαιρείτε πάντα την μπαταρία από το εργαλείο και τοποθετείτε το συγκρότημα καλύμματος αλυσίδας επάνω στην αλυσίδα κατά τη μεταφορά ή αποθήκευση του εργαλείου.
- ◆ Διατηρείτε την αλυσίδα του πριονιού αιχμηρή και στη σωστή τάση. Ελέγχετε τακτικά την τάση.
- ◆ Πριν από την εκτέλεση εργασιών ρύθμισης, σέρβις ή συντήρησης, απενεργοποιείτε το εργαλείο, αφήνετε την αλυσίδα να σταματήσει εντελώς και αφαιρείτε την μπαταρία από το εργαλείο.
- ◆ Χρησιμοποιείτε μόνο γνήσια ανταλλακτικά και αξεσουάρ.
- ◆ **Φροντίστε οι λαβές να είναι στεγνές, καθαρές και χωρίς λάδια ή γράσα.** Οι λερωμένες με γράσο ή λάδι λαβές γλιστρούν, με αποτέλεσμα την απώλεια του ελέγχου.
- ◆ **Ο ακιδωτός προφυλακτήρας μπορεί να καταστεί αιχμηρός κατά τη διάρκεια ζωής του προϊόντος.**

Προσέχετε κατά τους χειρισμούς.

- ◆ **Κατά τους χειρισμούς του προϊόντος η λάμα αλυσίδας μπορεί να θερμομανθεί, προσέχετε κατά τους χειρισμούς.**

Αιτίες της ανάδρασης και τρόπος αποτροπής από τον χειριστή

Μπορεί να παρατηρηθεί ανάδραση όταν η μύτη ή το άκρο της λάμας-οδηγού έρθει σε επαφή με ένα αντικείμενο ή όταν το ξύλο περισφίξει και μαγκώσει την αλυσίδα μέσα στην τομή. Η επαφή του άκρου με ένα αντικείμενο μπορεί σε ορισμένες περιπτώσεις να προκαλέσει απότομη αντίστροφη κίνηση, κλωτσώντας τη λάμα-οδηγό προς τα πάνω και προς τα πίσω προς το μέρος του χειριστή.

Το μάγκωμα της αλυσίδας του εργαλείου κατά μήκος του πάνω μέρους της λάμας-οδηγού μπορεί να στρώξει την μπάρα οδηγού απότομα πίσω, προς το μέρος του χειριστή. Μία από αυτές τις αντιδράσεις μπορεί να σας κάνει να χάσετε τον έλεγχο του αλυσοπριονίου με κίνδυνο σοβαρού τραυματισμού. Μη βασίζεστε αποκλειστικά στις διατάξεις ασφαλείας που διαθέτει το αλυσοπριόνιο σας. Ως χρήστης αλυσοπριονίου, θα πρέπει να παίρνετε ορισμένες προφυλάξεις για να αποφύγετε τα ατυχήματα και τους τραυματισμούς κατά τη διάρκεια των εργασιών κοπής που εκτελείτε.

Η ανάδραση είναι το αποτέλεσμα κακής χρήσης του εργαλείου και/ή λανθασμένων διαδικασιών ή συνθηκών χειρισμού και μπορεί να αποφευχθεί με τη λήψη κατάλληλων μέτρων προφύλαξης, όπως αναφέρονται πιο κάτω:

- ◆ **Κρατάτε γερά το αλυσοπριόνιο, με τους αντίχειρες και τα δάχτυλα να περικλείουν τις λαβές του αλυσοπριονίου. Κρατάτε το αλυσοπριόνιο και με τα δυο σας χέρια και δίνετε στο σώμα και στους βραχιόνιές σας μια θέση, στην οποία θα μπορέσετε να αντιμετωπίσετε τυχόν δυνάμεις ανάδρασης.** Όταν έχουν ληφθεί κατάλληλα μέτρα προφύλαξης, ο χειριστής μπορεί να ελέγξει τις δυνάμεις ανάδρασης. Μην αφήνετε ελεύθερο το αλυσοπριόνιο.
- ◆ **Μην τεντώνεστε και μην κόβετε πάνω από το ύψος του ώμου σας.** Αυτό βοηθάει στην αποφυγή της αθέλητης επαφής του άκρου με άλλο αντικείμενο και επιτρέπει τον καλύτερο έλεγχο του αλυσοπριονίου σε απρόοπτες καταστάσεις.
- ◆ **Χρησιμοποιείτε αποκλειστικά τις ανταλλακτικές λάμες-οδηγούς και αλυσίδες που καθορίζονται από τον κατασκευαστή.** Ακατάλληλες ανταλλακτικές λάμες-οδηγοί και αλυσίδες μπορεί να προκαλέσουν θραύση της αλυσίδας και/ή ανάδραση.
- ◆ **Ακολουθείτε τις οδηγίες του κατασκευαστή σχετικά με το ακόνισμα και τη συντήρηση της αλυσίδας του πριονιού.** Η μείωση του ύψους του μετρητή βάθους κοπής μπορεί να οδηγήσει σε αυξημένη ανάδραση.

Συστάσεις ασφαλείας για το αλυσοπρίονο

- ◆ Συνιστάται σε όσους χρησιμοποιούν αλυσοπρίονο για πρώτη φορά να λαμβάνουν πρακτικές οδηγίες για τη χρήση και τον προστατευτικό εξοπλισμό από έναν πεπειραμένο χρήστη. Θα πρέπει να γίνεται εξάσκηση στην κοπή κορμών πάνω σε βαλαλέτο ή ικρίωμα.
- ◆ Όταν μετακινείτε το αλυσοπρίονο, αφαιρείτε τη μπαταρία και να βεβαιώνεστε ότι το φρένο είναι ενεργοποιημένο και η αλυσίδα είναι στραμμένη προς τα πίσω.
- ◆ Διατηρείτε το αλυσοπρίονο σε καλή κατάσταση, όταν δεν το χρησιμοποιείτε. Όταν φυλάσσετε το αλυσοπρίονο για μεγάλο χρονικό διάστημα πρέπει να αφαιρείτε την αλυσίδα πριονιού και τη λάμα-οδηγό αλυσίδας και να τα φυλάσσετε μέσα σε λάδι. Φυλάσσετε όλα τα εξαρτήματα του αλυσοπρίονου σε ένα ξηρό, ασφαλές μέρος μακριά από τα παιδιά.
- ◆ Συνιστάται να στραγγίσετε το δοχείο λαδιού πριν από την φύλαξη.
- ◆ Βεβαιωθείτε ότι πατάτε καλά και σταθερά και προβλέψτε ένα δρόμο διαφυγής από το δέντρο ή τα κλαδιά που θα πέσουν.
- ◆ Χρησιμοποιείτε σφήνες για να ελέγχετε καλύτερα την υλοτόμηση δένδρων και για να αποφεύγετε το σφήνωμα της λάμας-οδηγού αλυσίδας και της αλυσίδας του πριονιού μέσα στην τομή.
- ◆ Φροντίδα της αλυσίδας του πριονιού. Διατηρείτε την αλυσίδα του πριονιού αιχμηρή και σφιγμένη πάνω στη λάμα-οδηγό αλυσίδας. Βεβαιωθείτε ότι η αλυσίδα και η λάμα-οδηγός είναι καθαρές και καλά λαδωμένες. Διατηρείτε τις λαβές στεγνές, καθαρές, χωρίς λάδι και γράσο.

Ανάδραση προκαλείται στις παρακάτω περιπτώσεις:

- ◆ Αν χτυπήσετε κλαδιά ή άλλα αντικείμενα κατά λάθος με μια άκρη του πριονιού ενώ η αλυσίδα του πριονιού κινείται.
- ◆ Αν χτυπήσετε μέταλλο, τσιμέντο ή άλλο σκληρό υλικό που βρίσκεται κοντά στο ξύλο ή χυμένο μέσα στο ξύλο.
- ◆ Αν η αλυσίδα είναι στομωμένη ή λασκαρισμένη.
- ◆ Αν κόβετε πάνω από το ύψος του ώμου.
- ◆ Αν δεν προσέχετε όταν κρατάτε ή καθοδηγείτε το αλυσοπρίονο κατά την διάρκεια της κοπής.
- ◆ Αν δεν φτάνετε καλά το σημείο που θέλετε να κόψετε. Φροντίστε πάντοτε να έχετε την κατάλληλη στάση και να διατηρείτε την ισορροπία σας και να μην προσπαθείτε να κόψετε σημεία που δεν φτάνετε καλά.
- ◆ Μην προσπαθήσετε να εισάγετε το εργαλείο σε προηγούμενη τομή. Αυτό θα μπορούσε να προκαλέσει ανάδραση. Δημιουργείτε μια νέα τομή κάθε φορά.
- ◆ Συνιστάται να μην προσπαθήσετε να χρησιμοποιήσετε αλυσοπρίονο όταν στέκεστε πάνω σε δέντρο, κινητή σκάλα ή οποιαδήποτε άλλη ασταθή επιφάνεια.

Αν αποφασίσετε να το κάνετε, να γνωρίζετε ότι αυτές οι θέσεις είναι πάρα πολύ επικίνδυνες.

- ◆ Όταν κόβετε ένα κλαδί που είναι υπό κάμψη, προσέχετε να μην τιναχτεί προς το μέρος σας και σας χτυπήσει όταν ελευθερωθεί από την κάμψη.

Μην κόβετε:

- ◆ Ετοιμη ξυλεία.
- ◆ Το έδαφος.
- ◆ Φράχτες από συρματοπλέγμα, καρφιά κτλ.
- ◆ Μικρούς θάμνους και δενδρύλλια γιατί τα λεπτά και ευλύγιστα υλικά μπορεί να πιαστούν στην αλυσίδα πριονιού και να τιναχτούν προς το μέρος σας ή να σας κάνουν να χάσετε την ισορροπία σας.
- ◆ Μη χρησιμοποιείτε το αλυσοπρίονο πάνω από το ύψος του ώμου σας.
- ◆ Βεβαιωθείτε πως υπάρχει κάποιος κοντά (αλλά σε απόσταση ασφαλείας) για την περίπτωση ατυχήματος.
- ◆ Αν για οποιονδήποτε λόγο πρέπει να αγγίξετε την αλυσίδα πριονιού, βεβαιωθείτε ότι το αλυσοπρίονο είναι απενεργοποιημένο και η μπαταρία του έχει αφαιρεθεί.
- ◆ Ο θόρυβος που προκαλείται από το προϊόν αυτό μπορεί να ξεπεράσει τα 80 dB(A). Επομένως συνιστούμε να λαμβάνετε τα απαραίτητα μέτρα για την προστασία της ακοής

Υπολειπόμενοι κίνδυνοι.

Κατά τη χρήση του εργαλείου μπορεί να δημιουργηθούν πρόσθετοι υπολειπόμενοι κίνδυνοι, οι οποίοι ενδέχεται να μη συμπεριλαμβάνονται στις προειδοποιήσεις ασφαλείας που εσωκλείονται. Αυτοί οι κίνδυνοι μπορεί να προκληθούν από κακή χρήση, παρατεταμένη χρήση κλπ.

Παρά την εφαρμογή των σχετικών κανονισμών ασφαλείας και τη χρήση διατάξεων ασφαλείας, ορισμένοι υπολειπόμενοι κίνδυνοι δεν είναι δυνατό να αποφευχθούν. Σε αυτούς περιλαμβάνονται:

- ◆ Τραυματισμοί από επαφή με οποιαδήποτε περιστρεφόμενα/ κινούμενα μέρη.
- ◆ Τραυματισμοί από αλλαγή οποιωνδήποτε εξαρτημάτων, λειπίδων ή αξεσουάρ.
- ◆ Τραυματισμοί από παρατεταμένη χρήση εργαλείου. Όταν χρησιμοποιείτε οποιοδήποτε εργαλείο για παρατεταμένα χρονικά διαστήματα, μην παραλείπετε με κανένα τρόπο να κάνετε τακτικά διαλείμματα.
- ◆ Βλάβη της ακοής.
- ◆ Κίνδυνοι για την υγεία λόγω εισπνοής σκόνης που αναπτύσσεται κατά τη χρήση του εργαλείου (παραδείγματα:- εργασία με ξύλο, ειδικά βελανιδιά, οξιά και MDF).

Κραδασμοί

Οι δηλωμένες τιμές εκπομπών κραδασμών και η δηλωμένη τιμή (ή τιμές) εκπομπών θορύβου που αναφέρονται στα τεχνικά χαρακτηριστικά και στη δήλωση συμμόρφωσης έχουν μετρηθεί σύμφωνα με τυποποιημένη μέθοδο δοκιμής που παρέχεται από το πρότυπο EN 62841 και μπορούν να χρησιμοποιηθούν για τη σύγκριση ενός εργαλείου με ένα άλλο. Η δηλωμένη τιμή εκπομπών κραδασμών και η δηλωμένη τιμή (ή τιμές) μπορούν επίσης να χρησιμοποιηθούν σε έναν προκαταρκτικό προσδιορισμό της έκθεσης.

Προειδοποίηση! Στην πράξη, η τιμή εκπομπής κραδασμών και θορύβου κατά την χρήση του ηλεκτρικού εργαλείου μπορεί να διαφέρει από την τιμή που δηλώθηκε, ανάλογα με τον τρόπο που χρησιμοποιείται το εργαλείο. Το επίπεδο κραδασμών μπορεί να αυξηθεί πάνω από το επίπεδο που έχει δηλωθεί.

Κατά τον προσδιορισμό της έκθεσης σε κραδασμούς για τον καθορισμό των απαιτούμενων μέτρων ασφαλείας σύμφωνα με την οδηγία 2002/44/ΕΚ για την προστασία προσώπων που χρησιμοποιούν συχνά ηλεκτρικά εργαλεία στην εργασία τους, μια προσεγγιστική εκτίμηση της έκθεσης σε κραδασμούς πρέπει να λαμβάνει υπόψη τις πραγματικές συνθήκες χρήσης και τον τρόπο χρήσης του εργαλείου, συμπεριλαμβανομένων και όλων των επιμέρους τμημάτων του κύκλου εργασίας, όπως τα χρονικά διαστήματα που το εργαλείο ήταν εκτός λειτουργίας και τα διαστήματα λειτουργίας χωρίς φορτίο, επιπλέον του χρόνου πίεσης της σκανδάλης.

Ετικέτες πάνω στο εργαλείο

Το εργαλείο φέρει τα παρακάτω εικονογράμματα μαζί με τον κωδικό ημερομηνίας:



Προειδοποίηση! Για να μειωθεί ο κίνδυνος τραυματισμού, ο χρήστης πρέπει να διαβάσει το εγχειρίδιο οδηγιών.



Μη χρησιμοποιείτε το πριόνι σε υγρές συνθήκες και μην το εκθέτετε στη βροχή.



Φοράτε πάντοτε προστατευτικό εξοπλισμό για το κεφάλι, την ακοή και τα μάτια.



Φοράτε πάντα προστατευτικά γάντια.



Φοράτε πάντα αντιολισθητικά υποδήματα ασφαλείας.



Πάντα κρατάτε το αλυσοπριόνιο σταθερά και με τα δύο χέρια.



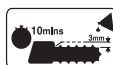
Προσέχετε την ανάδραση του αλυσοπριόνου και αποφεύγετε την επαφή με τη λάμα αλυσίδας.



Μη χρησιμοποιείτε το αλυσοπριόνιο μόνο με ένα χέρι.



Προσέχετε για τυχόν αντικείμενα που πέφτουν. Μην επιτρέπετε να πλησιάσουν άλλα άτομα



Για να εξασφαλίσετε τη συνεχή ασφαλή λειτουργία, ελέγχετε την τάνυση της αλυσίδας, όπως περιγράφεται σε αυτό το εγχειρίδιο, μετά από κάθε 10 λεπτά χρήσης, και ρυθμίζετε τη ξανά σε διάκενο 3 mm όπως απαιτείται. Λαδώστε την αλυσίδα μετά από κάθε 10 λεπτά χρήσης.



Προειδοποίηση! Μην αγγίζετε την αλυσίδα στο σημείο εξαγωγής των απορριμμάτων κοπής



Η κατεύθυνση περιστροφής της αλυσίδας.



Για να εξασφαλίσετε συνεχή και ασφαλή λειτουργία, η αλυσίδα και η λάμα-οδηγός αλυσίδας πρέπει να αντικαθίστανται μόνο με γνήσια εξαρτήματα BLACK+DECKER. Αριθμός ανταλλακτικού αλυσίδας A6158, αριθμός ανταλλακτικού λάμας-οδηγού αλυσίδας 90619609.



Απενεργοποιήστε το εργαλείο. Πριν πραγματοποιήσετε οποιαδήποτε συντήρηση στο εργαλείο, αφαιρέστε την μπαταρία από το εργαλείο.



Ηχητική ισχύς εγγυημένη σύμφωνα με την Οδηγία 2000/14/ΕΚ.

Πρόσθετες οδηγίες ασφαλείας για μπαταρίες και φορτιστές

Μπαταρίες

- ◆ Ποτέ μην επιχειρήσετε να ανοίξετε το προϊόν για κανένα λόγο.
- ◆ Μην εκθέτετε την μπαταρία σε νερό.
- ◆ Μην εκθέτετε την μπαταρία σε θερμότητα.
- ◆ Μη φυλάσσετε τις μπαταρίες σε μέρη όπου η θερμοκρασία μπορεί να υπερβεί τους 40 °C.
- ◆ Φορτίζετε μόνο σε θερμοκρασίες περιβάλλοντος μεταξύ 10 °C και 40 °C.

- ◆ Η φόρτιση πρέπει να γίνεται μόνο με τον φορτιστή που παρέχεται μαζί με τη συσκευή/εργαλείο. Η χρήση λανθασμένου φορτιστή θα μπορούσε να επιφέρει ηλεκτροπληξία, ή υπερθέρμανση της μπαταρίας.
- ◆ Όταν απορρίπτετε τις μπαταρίες, ακολουθήστε τις οδηγίες που δίνονται στην ενότητα "Προστασία του περιβάλλοντος".
- ◆ Μην προξενήσετε ζημιά στο πακέτο μπαταριών και μην το παραμορφώσετε, είτε τρυπώντας είτε χτυπώντας το, επειδή μπορεί να προκληθεί κίνδυνος τραυματισμού ή πυρκαγιάς.
 - ◆ Μη φορτίζετε μπαταρίες που έχουν υποστεί ζημιά. Κάτω από ακραίες συνθήκες, μπορεί να επέλθει διαρροή υγρών μπαταρίας. Αν παρατηρήσετε υγρό πάνω στις μπαταρίες, απομακρύνετε το υγρό σκουπίζοντάς το προσεκτικά με ένα πανί. Αποφύγετε την επαφή με το δέρμα. Σε περίπτωση επαφής με το δέρμα ή τα μάτια, ακολουθήστε τις παρακάτω οδηγίες.

Προειδοποίηση! Το υγρό της μπαταρίας μπορεί να προκαλέσει σωματικές βλάβες ή υλικές ζημιές. Σε περίπτωση επαφής με το δέρμα, ξεπλύνετε αμέσως με άφθονο νερό. Αν παρουσιαστεί κοκκίνισμα του δέρματος, πόνος ή ερεθισμός, ζητήστε ιατρική βοήθεια. Σε περίπτωση επαφής με τα μάτια, ξεπλύνετε αμέσως με καθαρό νερό και ζητήστε ιατρική βοήθεια.

Φορτιστές

Προειδοποίηση! Ο φορτιστής σας είναι σχεδιασμένος για συγκεκριμένη ηλεκτρική τάση. Πάντα ελέγχετε ότι η τάση ρεύματος δικτύου συμφωνεί με την τάση που αναγράφεται στην πινακίδα τεχνικών χαρακτηριστικών.

Προειδοποίηση! Ποτέ μην επιχειρήσετε να αντικαταστήσετε τη μονάδα φορτιστή με κανονικό φως ρεύματος δικτύου.

- ◆ Ο φορτιστής BLACK+DECKER πρέπει να χρησιμοποιείται αποκλειστικά και μόνο για τη φόρτιση της μπαταρίας στη συσκευή/το εργαλείο που συνόδευε. Άλλες μπαταρίες ενδέχεται να εκραγούν, προκαλώντας τραυματισμό ατόμων και ζημιές.
- ◆ Μην επιχειρήσετε ποτέ να φορτίσετε μη επαναφορτιζόμενες μπαταρίες.
- ◆ Αν το καλώδιο ρεύματος έχει υποστεί ζημιά, πρέπει να αντικατασταθεί από τον κατασκευαστή ή εξουσιοδοτημένο κέντρο σέρβις BLACK+DECKER, για την αποφυγή κινδύνου.
- ◆ Μην εκθέτετε τον φορτιστή σε νερό.
- ◆ Μην ανοίγετε τον φορτιστή.
- ◆ Μην εισάγετε οποιαδήποτε αντικείμενα μέσα στον φορτιστή.
- ◆ Κατά τη φόρτιση, ο φορτιστής πρέπει να βρίσκεται σε καλά αεριζόμενο χώρο.



Ο φορτιστής προορίζεται για χρήση μόνο σε εσωτερικούς χώρους.



Διαβάστε το εγχειρίδιο οδηγιών πριν τη χρήση.

Ασφαλής χρήση ηλεκτρικού ρεύματος



Ο φορτιστής σας φέρει διπλή μόνωση. Επομένως, δεν απαιτείται αγωγός γείωσης. Πάντα ελέγχετε ότι η τάση ρεύματος δικτύου συμφωνεί με αυτήν που αναγράφεται στην πινακίδα τεχνικών χαρακτηριστικών. Ποτέ μην επιχειρήσετε να αντικαταστήσετε τη μονάδα φορτιστή με κανονικό φως ρεύματος δικτύου.

- ◆ Αν το καλώδιο ρεύματος έχει υποστεί ζημιά, πρέπει να αντικατασταθεί από τον κατασκευαστή ή εξουσιοδοτημένο κέντρο σέρβις BLACK+DECKER, για την αποφυγή κινδύνου.

Χαρακτηριστικά

1. Διακόπτης ενεργοποίησης/ απενεργοποίησης (On/Off)
2. Κουμπί ασφάλισης
3. Πλώμα λαδιού
4. Δοχείο λαδιού
5. Συγκρότημα μπροστινού προφυλακτήρα
6. Συγκρότημα καλύμματος αλυσίδας
7. Βίδα ρύθμισης τάνυσης αλυσίδας
8. Αλυσίδα
9. Λάμα-οδηγός
10. Μπαταρία
11. Θήκη αλυσίδας
12. Φορτιστής

Συναρμολόγηση

Προειδοποίηση! Πριν από τη συναρμολόγηση, αφαιρέστε την μπαταρία (10) από το εργαλείο.

Τοποθέτηση και αφαίρεση της μπαταρίας (εικ. Α)

- ◆ Για να τοποθετήσετε την μπαταρία (10), ευθυγραμμίστε την με την υποδοχή στο εργαλείο. Εισάγετε την μπαταρία (10) μέσα στην υποδοχή και στρώστε την μπαταρία (10) μέχρι να ασφαλίσει στη θέση της.
- ◆ Για να αφαιρέσετε την μπαταρία (10), πατήστε το κουμπί απασφάλισης (24) και ταυτόχρονα τραβήξτε την μπαταρία (10) έξω από την υποδοχή.

Προειδοποίηση! Για να αποτρέψετε την κατά λάθος λειτουργία, βεβαιωθείτε ότι έχετε αφαιρέσει την μπαταρία και τοποθετήσει τη θήκη αλυσίδας (11) πάνω στην αλυσίδα πριονιού (8) πριν εκτελέσετε τους ακόλουθους χειρισμούς. Σε αντίθετη περίπτωση υπάρχει κίνδυνος πρόκλησης σοβαρού τραυματισμού.

Ετικέτες επάνω στον φορτιστή

Ο φορτιστής φέρει τα παρακάτω σύμβολα:

Φόρτιση της μπαταρίας (εικ. Β)

Η μπαταρία πρέπει να φορτιστεί πριν την πρώτη χρήση και όταν δεν μπορεί πλέον να παρέχει επαρκή ισχύ σε εργασίες που πριν γίνοντουσαν εύκολα. Η μπαταρία μπορεί να θερμαίνεται κατά τη φόρτιση. Κάτι τέτοιο είναι φυσιολογικό και δεν υποδηλώνει πρόβλημα.

Προειδοποίηση! Μη φορτίζετε την μπαταρία σε θερμοκρασίες περιβάλλοντος κάτω από 10 °C ή πάνω από 40 °C. Η συνιστώμενη θερμοκρασία φόρτισης είναι περίπου 24 °C.

ΣΗΜΕΙΩΣΗ: Ο φορτιστής δεν θα φορτίσει μια μπαταρία με θερμοκρασία κυμέλης κάτω από περίπου 10 °C ή πάνω από 40 °C. Η μπαταρία θα πρέπει να παραμείνει στο φορτιστή και αυτός θα αρχίσει να τη φορτίζει αυτόματα μόλις η θερμοκρασία κυμέλης αυξηθεί ή μειωθεί αντίστοιχα.

- ◆ Για να φορτίσετε την μπαταρία (10), τοποθετήστε την στην υποδοχή του φορτιστή (12). Η μπαταρία μπορεί να τοποθετηθεί στον φορτιστή μόνο με έναν τρόπο. Μην ασκείτε υπερβολική δύναμη. Βεβαιωθείτε ότι η μπαταρία έχει εδράσει πλήρως μέσα στον φορτιστή.
- ◆ Συνδέστε τον φορτιστή στην πρίζα και κατόπιν ενεργοποιήστε τον από το δίκτυο ρεύματος.

Η ενδεικτική λυχνία φόρτισης (23) θα αναβοσβήσει.

Η φόρτιση έχει ολοκληρωθεί όταν η ενδεικτική λυχνία φόρτισης (23) ανάβει σταθερά. Ο φορτιστής και η μπαταρία μπορούν να μείνουν σε σύνδεση επ' αόριστον. Η ενδεικτική λυχνία LED θα ανάβει καθώς ο φορτιστής αναπληρώνει περιστασιακά το φορτίο της μπαταρίας.

- ◆ Φορτίζετε τις αποφορτισμένες μπαταρίες εντός 1 εβδομάδας. Η διάρκεια ζωής μιας μπαταρίας μειώνεται σημαντικά αν αποθηκευτεί σε αποφορτισμένη κατάσταση.

Παραμονή της μπαταρίας στον φορτιστή

Ο φορτιστής και το πακέτο μπαταριών μπορούν να παραμείνουν συνδεδεμένα επ' αόριστον με τη λυχνία LED αναμμένη. Ο φορτιστής θα διατηρεί το πακέτο μπαταριών σε βέλτιστη κατάσταση και πλήρως φορτισμένο.

Τοποθέτηση και αφαίρεση της αλυσίδας πριονιού (εικ. C–E, G)

Φοράτε πάντοτε προστατευτικά γάντια κατά την τοποθέτηση ή την αφαίρεση της αλυσίδας πριονιού (8). Η αλυσίδα πριονιού είναι κοφτερή και μπορεί να σας τραυματίσει χωρίς να βρίσκεται σε λειτουργία.

- ◆ Τοποθετήστε το εργαλείο σε μια σταθερή επιφάνεια.
- ◆ Λασκάρτε τις δύο βίδες Άλεν (14) χρησιμοποιώντας το παρεχόμενο κλειδί Άλεν (21). Αφαιρέστε τις βίδες Άλεν (14).
- ◆ Αφαιρέστε το συγκρότημα καλύμματος αλυσίδας (6).

- ◆ Περιστρέψτε τη βίδα ρύθμισης τάνυσης (7) δεξιόστροφα ώστε επιτρέψετε την υποχώρηση της λάμας-οδηγού (9) και να ελαττώσετε την τάνυση της αλυσίδας πριονιού (8).
- ◆ Αφαιρέστε την παλαιά αλυσίδα πριονιού (8) από τον οδοντωτό τροχό (15) και τη λάμα-οδηγό (9).
- ◆ Τοποθετήστε την καινούργια αλυσίδα πριονιού (8) μέσα στην αυλάκωση της λάμας-οδηγού (9) και γύρω από τον οδοντωτό τροχό (15). Βεβαιωθείτε ότι τα δόντια είναι στραμμένα στη σωστή κατεύθυνση ευθυγραμμίζοντας το βέλος πάνω στην αλυσίδα πριονιού (8) με το βέλος πάνω στο συγκρότημα καλύμματος αλυσίδας (6).
- ◆ Βεβαιωθείτε ότι η εγκοπή (17) στη λάμα-οδηγό αλυσίδας (9) βρίσκεται πάνω από τους πείρους εντοπισμού (18) και ότι η οπή (20) κάτω από την εγκοπή βρίσκεται επάνω από τον πείρο ρύθμισης (19).
- ◆ Τοποθετήστε το συγκρότημα καλύμματος αλυσίδας (6) και τις 2 βίδες Άλεν (14).
- ◆ Σφίξτε τις δύο βίδες Άλεν (14) χρησιμοποιώντας το παρεχόμενο κλειδί Άλεν (21).
- ◆ Ρυθμίστε την τάνυση της αλυσίδας όπως περιγράφεται παρακάτω.

Έλεγχος και ρύθμιση της τάνυσης της αλυσίδας (εικ. C–F)

- ◆ Ελέγχετε την τάνυση της αλυσίδας. Η τάνυση έχει ρυθμιστεί σωστά όταν η αλυσίδα πριονιού (8) επανέρχεται αμέσως στη θέση της, αφού τραβηχτεί σε απόσταση 3 mm από τη λάμα-οδηγό (9) με μικρή δύναμη με το μεσαίο δάχτυλο και τον αντίχειρα. Δεν πρέπει να υπάρχει "κοιλιά" μεταξύ της λάμας-οδηγού (9) και της αλυσίδας πριονιού (8) στην κάτω πλευρά.

Για να ρυθμίσετε την τάνυση:

- ◆ Λασκάρτε τις 2 βίδες Άλεν (14).
- ◆ Περιστρέψτε τη βίδα ρύθμισης της τάνυσης αλυσίδας (7) δεξιόστροφα.

Προειδοποίηση! Μην τεντώσετε υπερβολικά την αλυσίδα, καθώς αυτό θα προκαλέσει υπερβολική φθορά και θα μειώσει τη διάρκεια ζωής της ράβδου και της αλυσίδας.

- ◆ Αφού επιτύχετε τη σωστή τάνυση της αλυσίδας, σφίξτε τις 2 βίδες Άλεν (14).

Προειδοποίηση! Όταν η αλυσίδα πριονιού είναι καινούργια, ελέγχετε συχνά την τάνυση κατά τη διάρκεια των δύο πρώτων ωρών χρήσης, καθώς μια νέα αλυσίδα πριονιού επιμηκύνεται ελαφρά.

Γέμισμα του δοχείου λαδιού (εικ. G)

- ◆ Αφαιρέστε το πώμα λαδιού (3) και γεμίστε το δοχείο (4) με το συνιστώμενο λάδι για αλυσίδες. Μπορείτε να δείτε τη στάθμη του λαδιού στο δοχείο λαδιού (4). Τοποθετήστε ξανά το πώμα λαδιού (3).

- ◆ Κατά περιόδους θέτετε εκτός λειτουργίας το εργαλείο και ελέγχετε τη στάθμη στο δοχείο λαδιού. Αν είναι γεμάτο λιγότερο από ένα τέταρτο, αφαιρέστε την μπαταρία (10) από το εργαλείο και γεμίστε πάλι το δοχείο λαδιού (4) με το σωστό λάδι.

Λάδωμα της αλυσίδας (εικ. G)

Η αλυσίδα πριονιού (8) πρέπει να λαδώνεται πριν από κάθε χρήση και μετά τον καθαρισμό με χρήση μόνο του σωστού τύπου λαδιού (αρ. κατ. A6027).

- ◆ Λιπάνετε την αλυσίδα πριονιού (8) πιέζοντας τη φούσκα πάνω στο πώμα λαδιού (3) δύο φορές πριν την εκτέλεση κάθε κοπής, κρατώντας τη φούσκα πατημένη για 3-4 δευτερόλεπτα.

Χρήση

Ενεργοποίηση και απενεργοποίηση (εικ. G)

Προειδοποίηση! Αφήνετε το εργαλείο να λειτουργήσει με τον δικό του ρυθμό. Μην το υπερφορτώνετε.

Για την ασφάλειά σας, αυτό το εργαλείο είναι εξοπλισμένο με διπλό σύστημα ενεργοποίησης. Αυτό το σύστημα εμποδίζει την ακούσια ενεργοποίηση του εργαλείου.

Ενεργοποίηση

- ◆ Πατήστε το κουμπί ασφάλισης (2) και ταυτόχρονα πατήστε τον διακόπτη on/off (1).
- ◆ Ελευθερώστε το κουμπί ασφάλισης (2).

Απενεργοποίηση

- ◆ Ελευθερώστε τον διακόπτη on/off (1).

Προειδοποίηση! Σε καμία περίπτωση μην επιχειρήσετε να ασφαλίσετε ένα διακόπτη στην ενεργοποιημένη θέση.

Κλάδεμα δένδρων (εικ. Η)

Βεβαιωθείτε ότι δεν υπάρχουν τοπικοί νόμοι ή κανονισμοί που απαγορεύουν ή περιορίζουν το κλάδεμα των κλαδιών των δέντρων.

Το κλάδεμα θα πρέπει να το αναλαμβάνουν μόνο πεπειραμένα άτομα, διαφορετικά υπάρχει αυξημένος κίνδυνος σφηνώματος της αλυσίδας πριονιού (8) και ανάδρασης.

Πριν το κλάδεμα λάβετε υπόψη όλες τις συνθήκες που μπορούν να επηρεάσουν την κατεύθυνση πτώσης, συμπεριλαμβανομένων:

- ◆ Του μήκους και του βάρους του κλαδιού που θα κοπεί.
- ◆ Οποιασδήποτε ασυνήθιστα βαριάς δομής κλαδιών ή σήψης.
- ◆ Των γύρω δέντρων και εμποδίων, συμπεριλαμβανομένων των αναρτημένων συρμάτων, σχοινιών, καλωδίων κλπ. που υπάρχουν στο χώρο.
- ◆ Της ταχύτητας και της διεύθυνσης του ανέμου.

- ◆ Της εμπλοκής των κλαδιών με άλλα κλαδιά.

Ο χειριστής πρέπει να εξετάζει την πρόσβαση στο κλαδί του δέντρου και την κατεύθυνση πτώσης. Τα κλαδιά του δέντρου μπορεί να αιωρηθούν προς το κορμό του δέντρου. Εκτός από τον χρήστη, κάθε παρευρισκόμενος, κτίριο ή αντικείμενο κάτω από το κλαδί εκτίθεται σε κίνδυνο.

Για να αποφύγετε το σχίσσιμο, πραγματοποιήστε την πρώτη κοπή με κατεύθυνση προς τα πάνω έως μέγιστο βάθος ένα τρίτο της διαμέτρου του κλαδιού. Η δεύτερη τομή γίνεται προς τα κάτω μέχρι να συναντήσει την πρώτη τομή.

Κοπή ελαφρού τύπου (εικ. I)

Ο τρόπος κοπής εξαρτάται από τον τρόπο στήριξης του κορμού. Χρησιμοποιείτε καβαλέτο όποτε είναι δυνατόν.

Ξεκινάτε πάντα να κόβετε με την αλυσίδα πριονιού (8) εν κινήσει και τον ακιδωτό προφυλακτήρα σε επαφή με το ξύλο. Για να ολοκληρώσετε την κοπή, χρησιμοποιήστε μια περιστροφική κίνηση του ακιδωτού προφυλακτήρα πάνω στο ξύλο.

Όταν στηρίζεται σε όλο το μήκος του:

- ◆ Κάντε μια κοπή προς τα κάτω, αποφεύγοντας να έρθει σε επαφή η αλυσίδα με το έδαφος, αλλιώς η αλυσίδα θα στομάσει γρήγορα.

Όταν στηρίζεται στα δύο άκρα:

- ◆ Πρώτα, κόψτε κατά ένα τρίτο προς τα κάτω για να αποφύγετε την δημιουργία σχιζών, και δεύτερον, κόψτε πάλι έως να συναντήσετε την πρώτη κοπή,

Όταν στηρίζεται στο ένα άκρο:

- ◆ Πρώτα, κόψτε κατά ένα τρίτο προς τα πάνω για να αποφύγετε το σχίσσιμο και κατόπιν κόψτε προς τα κάτω για να αποφύγετε το σχίσσιμο.

Σε έδαφος με κλίση:

- ◆ Να στέκεστε πάντα από την πάνω μεριά. Όταν χρησιμοποιείτε καβαλέτο (εικ. I):

Αυτό συνιστάται θερμά όταν είναι εφικτό.

- ◆ Τοποθετήστε τον κορμό σε σταθερή θέση. Κόβετε πάντα από την εξωτερική πλευρά των στηριγμάτων του καβαλέτου. Χρησιμοποιείτε σφιγκτήρες ή λουριά για να ασφαλίσετε το αντικείμενο εργασίας.

Καθαρισμός, συντήρηση και αποθήκευση

Το εργαλείο BLACK+DECKER που έχετε στην κατοχή σας έχει σχεδιαστεί έτσι ώστε να λειτουργεί για μεγάλο χρονικό διάστημα με την ελάχιστη δυνατή συντήρηση.

Η συνεχής ικανοποιητική λειτουργία του εργαλείου εξαρτάται από τη σωστή φροντίδα και τον τακτικό καθαρισμό του εργαλείου.

Ο φορτιστής αυτός δεν χρειάζεται καμία άλλη συντήρηση πέραν του τακτικού καθαρισμού.

Προειδοποίηση! Προτού πραγματοποιήσετε κάποια συντήρηση στο εργαλείο, αφαιρέστε την μπαταρία από το εργαλείο. Αποσυνδέστε τον φορτιστή από την πρίζα πριν τον καθαρίσετε.

Μετά τη χρήση και πριν από την αποθήκευση

Καθαρίζετε σε τακτική βάση τα ανοίγματα αερισμού χρησιμοποιώντας ένα καθαρό, στεγνό πινέλο.

Για τον καθαρισμό του εργαλείου, χρησιμοποιήστε αποκλειστικά ήπιο σαπούνι και υγρό πανί.

Μην επιτρέψετε ποτέ να εισέλθει υγρό στο εσωτερικό της συσκευής και μη βυθίσετε ποτέ οποιοδήποτε εξάρτημα της συσκευής σε υγρό.

- ◆ Αφαιρέστε τα κατάλοιπα χρησιμοποιώντας μια σκληρή βούρτσα.
- ◆ Λιπάνετε την αλυσίδα (8) με λάδι.

Ακόνημα της αλυσίδας πριονιού

Για την καλύτερη δυνατόν απόδοση του εργαλείου, είναι σημαντικό να διατηρείτε τα δόντια της αλυσίδας πριονιού ακονισμένα.

Οι οδηγίες για τη διαδικασία αυτή βρίσκονται πάνω στη συσκευασία του ακονιστή. Για το σκοπό αυτό συνιστούμε να αγοράσετε το σετ ακονίσματος αλυσίδας πριονιού BLACK+DECKER, που διατίθεται από τα τοπικά σας κέντρα επισκευών BLACK+DECKER (αρ. κατ. Α6039).

Αντικατάσταση αλυσίδας πριονιού και λάμας-οδηγού αλυσίδας που έχει υποστεί φθορά ή ζημιά

Ανταλλακτικές αλυσίδες πριονιού είναι διαθέσιμες από εμπορικά καταστήματα και από εκπροσώπους σέρβις BLACK+DECKER (αρ. ανταλλ. Α6158), ανταλλακτικές λάμες-οδηγοί αλυσίδας διατίθενται μόνο μέσω εκπροσώπων σέρβις BLACK+DECKER (αρ. ανταλλ. 90517720).

Για να αποφύγετε κίνδυνο τραυματισμού, χρησιμοποιείτε μόνο γνήσιες αλυσίδες και λάμες-οδηγούς αλυσίδας BLACK+DECKER. Χρησιμοποιείτε πάντα γνήσια ανταλλακτικά.

Ικανότητα κοπής της αλυσίδας πριονιού

Τα κοπτικά στοιχεία της αλυσίδας θα στομώσουν αμέσως εάν έρθουν σε επαφή με το έδαφος ή με ένα καρφί κατά τη διάρκεια της κοπής.

Τάνυση της αλυσίδας πριονιού

Ελέγχετε τακτικά την τάνυση της αλυσίδας πριονιού.

Αν το αλυσοπρίονο χρειάζεται επισκευή.

Το εργαλείο σας πληροί τις σχετικές προδιαγραφές ασφαλείας. Οι επισκευές θα πρέπει να γίνονται μόνο από ειδικευμένους τεχνικούς και με τη χρήση αποκλειστικά γνήσιων ανταλλακτικών, διαφορετικά υπάρχει το ενδεχόμενο σοβαρού κινδύνου για το χρήστη. Συνιστούμε να φυλάσσετε αυτό το εγχειρίδιο χρήσης σε ασφαλές μέρος.

Αποθήκευση

Εάν το εργαλείο δεν πρόκειται να χρησιμοποιηθεί για αρκετούς μήνες, είναι προτιμότερο να αφήσετε την μπαταρία (10) συνδεδεμένη με τον φορτιστή.

Διαφορετικά, ενεργήστε ως εξής:

- ◆ Αφαιρέστε την μπαταρία (10) από το εργαλείο.
- ◆ Φορτίστε πλήρως την μπαταρία (10).
- ◆ Αποθηκεύστε το εργαλείο και την μπαταρία (10) σε ασφαλές και στεγνό μέρος. Η θερμοκρασία αποθήκευσης πρέπει πάντοτε να παραμένει μεταξύ +10 °C και +40 °C. Τοποθετήστε την μπαταρία (10) σε οριζόντια επιφάνεια.
- ◆ Πριν από τη χρήση του εργαλείου μετά από παρατεταμένη αποθήκευση, επαναφορτίστε πλήρως την μπαταρία (10)

Προστασία του περιβάλλοντος



Χωριστή συλλογή. Τα προϊόντα και οι μπαταρίες που επισημαίνονται με αυτό το σύμβολο δεν πρέπει να απορρίπτονται μαζί με τα κανονικά οικιακά απορρίμματα.

Τα προϊόντα και οι μπαταρίες περιέχουν υλικά που μπορούν να ανακτηθούν ή να ανακυκλωθούν, ώστε να μειωθούν οι ανάγκες για πρώτες ύλες.

Παρακαλούμε να ανακυκλώνετε τα ηλεκτρικά προϊόντα και τις μπαταρίες σύμφωνα με τους τοπικούς κανονισμούς.

Περισσότερες πληροφορίες διατίθενται στον ιστότοπο www.2helpU.com

Τεχνικά χαρακτηριστικά

GKC1820L 20 Τύπος 3		
Τάση	V _{oc}	18
Ταχύτητα αλυσίδας (χωρίς φορτίο)	m/min	190
Βάρος	kg	1,55
Μπαταρία		BL2018
Τάση	V _{oc}	18
Χωρητικότητα	Ah	2,0
Τύπος	Ιόντων λιθίου	
Φορτιστής		905902**ΤΥΠΟΣ 1
Τάση εισόδου	V _{ac}	100–240
Τάση εξόδου	V _{oc}	8–20
Ρεύμα εξόδου	mA	400

Εγγυημένο επίπεδο ηχητικής πίεσης μετρούμενης σύμφωνα με το EN62841:

LpA (στάθμη ηχητικής πίεσης εκπομπών) 78 dB(A), αβεβαιότητα (Κ) 3 dB(A)
LWA (μετρηθείσα στάθμη ηχητικής ισχύος) 94 dB(A), αβεβαιότητα (Κ) 1,9 dB(A)

Συνολικές τιμές κραδασμών (διανυσματικό άθροισμα τριών αξόνων) σύμφωνα με το EN 62841:

Τιμή εκπομπών κραδασμών (a_{h1}) = 5,5 m/s², αβεβαιότητα (K) = 1,5 m/s²

Δήλωση συμμόρφωσης ΕΚ ΟΔΗΓΙΑ ΠΕΡΙ ΜΗΧΑΝΗΜΑΤΩΝ



GKC1820L 20 – Αλυσοπρίοιο συμπαγών διαστάσεων
Η Black & Decker δηλώνει ότι τα προϊόντα αυτά
που περιγράφονται στα "τεχνικά χαρακτηριστικά"
συμμορφώνονται με: 2006/42/ΕΚ,
EN 62841-1:2015+A11:2022, EN 62841-4-1:2020
LWA (μετρηθείσα στάθμη ηχητικής ισχύος) 94 dB(A),
αβεβαιότητα (K) = 1,9 dB(A),
LWA (εγγυημένη ηχητική ισχύος) 96 dB(A)

Αυτά τα προϊόντα συμμορφώνονται επίσης με την Οδηγία
2014/30/ΕΕ και 2011/65/ΕΕ.

Για περισσότερες πληροφορίες, επικοινωνήστε με την Black
& Decker στην παρακάτω διεύθυνση ή ανατρέξτε στο πίσω
μέρος του εγχειριδίου.

Ο κάτωθι υπογεγραμμένος είναι υπεύθυνος για την κατάρτιση
του τεχνικού φακέλου και δηλώνει τα παρόντα εκ μέρους της
Black & Decker.

Patrick Diepenbach

Patrick Diepenbach
Γενικός διευθυντής, Μπενελούξ
Black & Decker,
Egide Walschaertsstraat 14-18
2800 Mechelen, Belgium (Βέλγιο)
08/09/2022

Εγγύηση

Η Black & Decker είναι σίγουρη για την ποιότητα των
προϊόντων της και προσφέρει στους καταναλωτές εγγύηση
24 μηνών από την ημερομηνία αγοράς. Αυτή η εγγύηση
συμπληρώνει και με κανένα τρόπο δεν παραβιάζει τα
νόμιμα δικαιώματά σας.

Η εγγύηση ισχύει εντός της επικράτειας των χωρών μελών
της Ευρωπαϊκής Ένωσης καθώς και της Ευρωπαϊκής Ζώνης
Ελεύθερων Συναλλαγών και του Ηνωμένου Βασιλείου.

Για να υποβάλετε αξίωση βάσει της εγγύησης, η αξίωση θα
πρέπει να είναι σύμφωνη με τους Όρους και προϋποθέσεις
της Black & Decker και θα χρειαστεί να υποβάλετε απόδειξη
αγοράς στον πωλητή ή σε εξουσιοδοτημένο αντιπρόσωπο
επισκευών.

Μπορείτε να αποκτήσετε τους Όρους και προϋποθέσεις
της εγγύησης 2 ετών της Black & Decker και να μάθετε
την τοποθεσία του πλησιέστερου εξουσιοδοτημένου
αντιπροσώπου επισκευών στο Internet στο www.2helpU.com,
ή επικοινωνώντας με το τοπικό σας γραφείο Black & Decker
στη διεύθυνση που υποδεικνύεται στο παρόν εγχειρίδιο.
Επισκεφθείτε την ιστοσελίδα μας www.blackanddecker.gr
για να καταχωρίσετε το νέο σας προϊόν BLACK+DECKER
και για να ενημερωθείτε για τα νέα προϊόντα και τις ειδικές
προσφορές.

België/Belgique/Luxembourg www.blackanddecker.be enduser.be@sbdinc.com	Stanley Black & Decker Belgium BVBA Egide Walschaertsstraat 16 2800 Mechelen	Tel. NL Tel. FR Fax.	+32 15 47 37 65 +32 15 47 37 66 +32 15 47 37 99
Danmark	Black & Decker Roskildevej 22 2620 Albertslund	kundeservice.dk@sbdinc.com www.blackanddecker.dk	
Deutschland www.blackanddecker.de infobdgc@sbdinc.com	Stanley Black & Decker Deutschland GmbH Black & Decker Str. 40, D - 65510 Idstein	Tel. Fax	06126 21-0 06126 21-2980
Ελλάδα www.blackanddecker.gr greece.service@sbdinc.com	Stanley Black & Decker (ΕΛΛΑΣ) Ε.Π.Ε ΓΡΑΦΕΙΑ: Σπύρου 7 & Βουλιαγμένης 166 74 Γλυφάδα - Αθήνα	Τηλ. Φαξ	210-8981616 210-8983570
SERVICE:	Ημερος Τόπος 2 -Χάνι Αδάμ 193 00 Ασπρόπυργος - Αθήνα	Τηλ. Service Φαξ	210-8985208 210-5597598
España www.blackanddecker.es respuesta.posventa@sbdinc.com	Stanley Black & Decker Ibérica, S.C.A. Parc de Negocis "Mas Blau" Edificio Muntadas, c/Bergadá, 1, Of. A6 08820 El Prat de Llobregat (Barcelona)	Tel. Fax	934 797 400 934 797 419
France www.blackanddecker.fr	Stanley Black & Decker. 62 chemin de la Bruyère 69570 Dardilly, France	Tel. Fax	04 72 20 39 20 04 72 20 39 00
Helvetia www.blackanddecker.ch service@rofoag.ch	ROFO AG Gewerbezone Seeblick 3213 Kleinbödingen	Tel. Fax	026-6749393 026-6749394
Italia www.blackanddecker.it service.italia@sbdinc.com	Stanley Black & Decker Italia Via Energypark 6 20871 Vimercate (MB)	Tel. Fax Numero verde	039-9590200 039-9590313 800-213935
Nederland www.blackanddecker.nl enduser.nl@sbdinc.com	Stanley Black & Decker Netherlands BV Holtum Noordweg 35, 6121 RE BORN Postbus 83, 6120 AB BORN	Tel. Fax	+31 164 283 065 +31 164 283 200
Norge	Black & Decker Postboks 4613, Nydalen 0405 Oslo	kundeservice.no@sbdinc.com www.blackanddecker.no	
Österreich www.blackanddecker.at service.austria@sbdinc.com	Stanley Black & Decker Austria GmbH Oberlaaerstraße 248, A-1230 Wien	Tel. Fax	01 66116-0 01 66116-614
Portugal www.blackanddecker.pt resposta.posvenda@sbdinc.com	Black & Decker Limited SARL Quinta da Fonte - Edifício Q55 D. Diniz Rua dos Malhões, 2 e 2A - Piso 2 Esquerdo 2770 - 071 Paço de Arcos	Tel. Fax	214667500 214667580
Suomi	Black & Decker PL47 00521, Helsinki	asiakaspalvelu.fi@sbdinc.com www.blackanddecker.fi	
Sverige	Black & Decker AB Box 94, 431 22 Mölndal	kundservice.se@sbdinc.com www.blackanddecker.se	
Türkiye www.blackanddecker.com.tr	KALE Hirdavat ve Makina A.Ş. Defterdar Mah. Savaklar Cad. No:15 Edirnekapı / Eyüp / İstanbul 34050	Tel. Fax.	0212 533 52 55 0212 533 10 05
United Kingdom & Republic Of Ireland www.blackanddecker.co.uk emeaservice@sbdinc.com	Black & Decker 270 Bath Road Slough, Berkshire SL1 4DX	Tel. Fax	01753 511234 01753 512365
Middle East & Africa www.blackanddecker.ae service.mea@sbdinc.com	Black & Decker P.O.Box - 17164 Jebel Ali Free Zone (South), Dubai, UAE	Tel. Fax	+971 4 8863030 +971 4 8863333