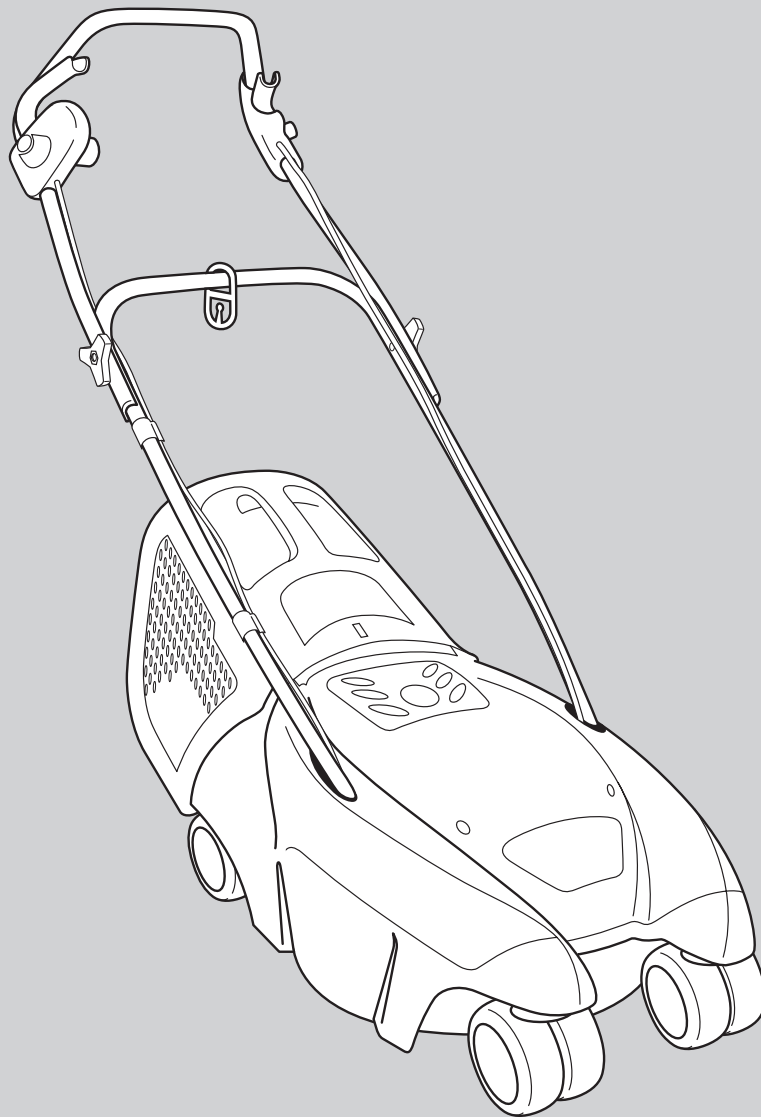




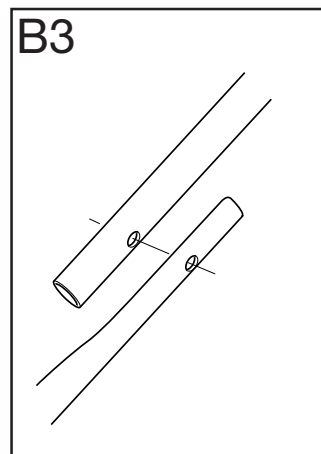
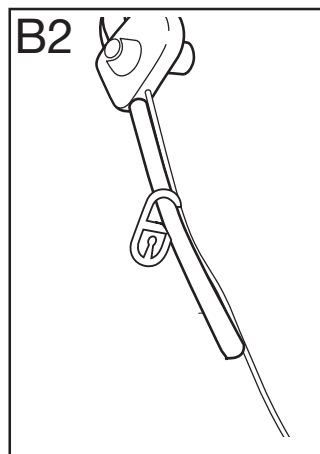
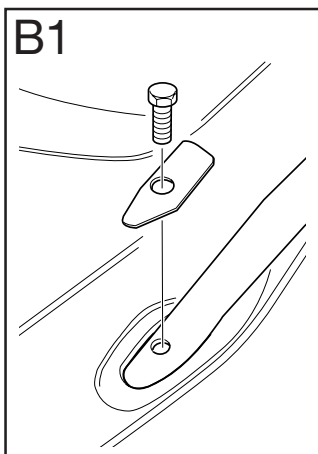
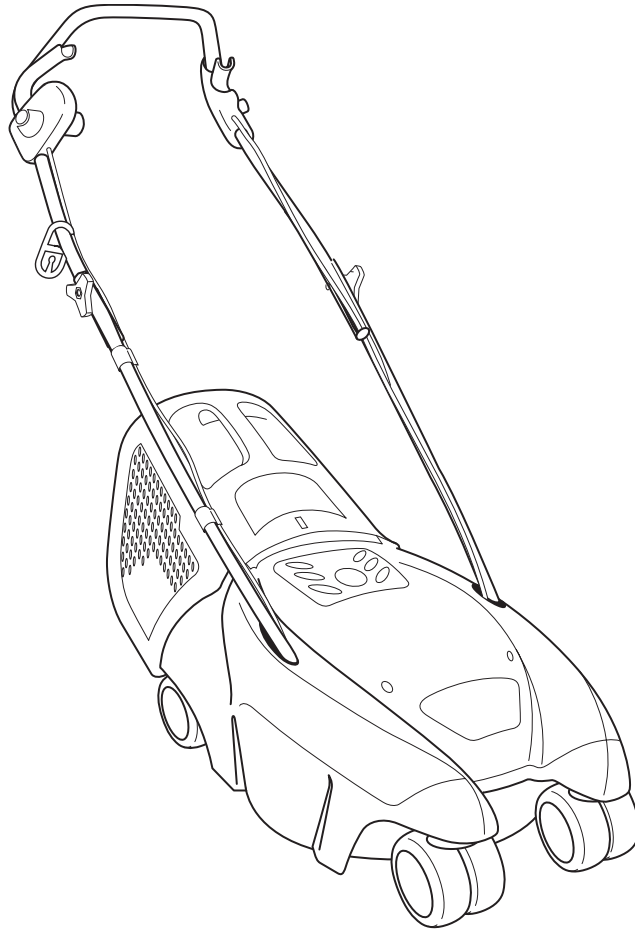
 **BLACK &
DECKER®**

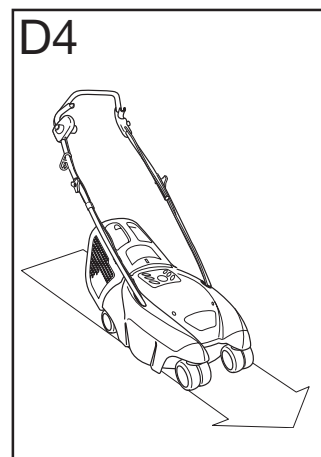
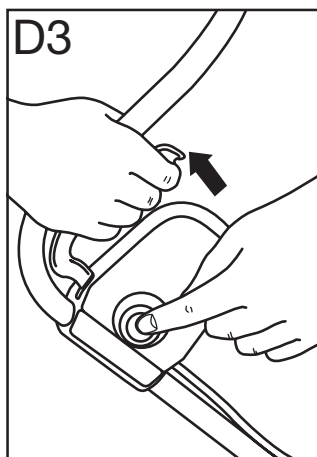
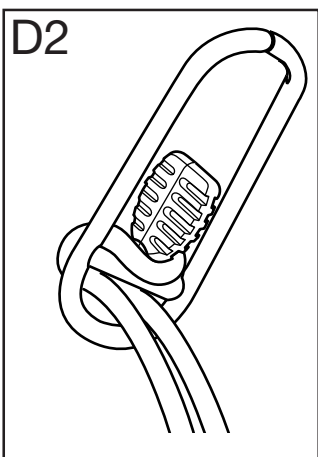
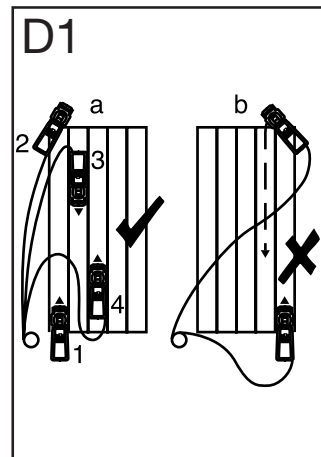
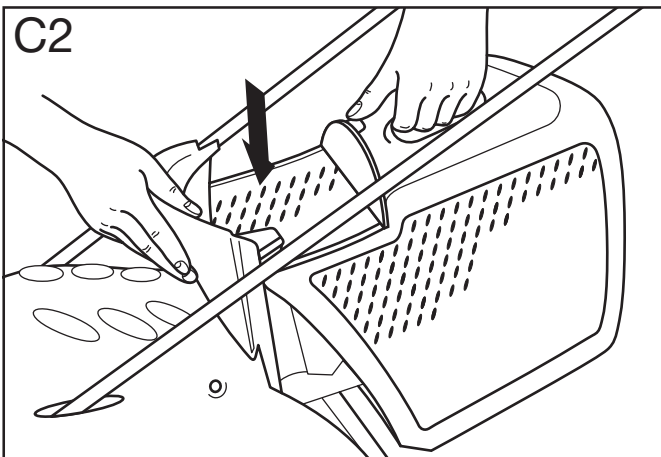
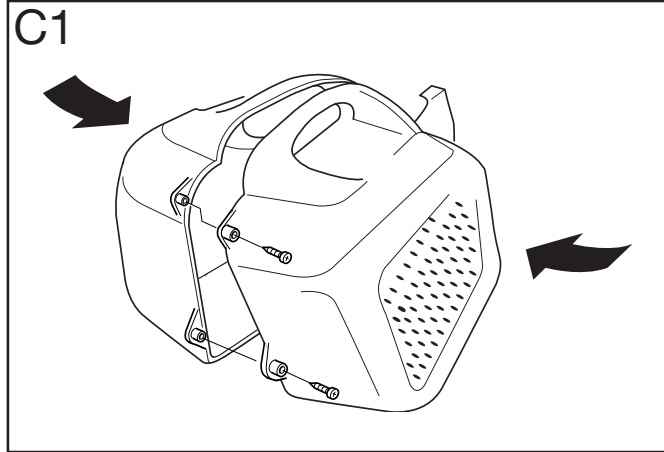
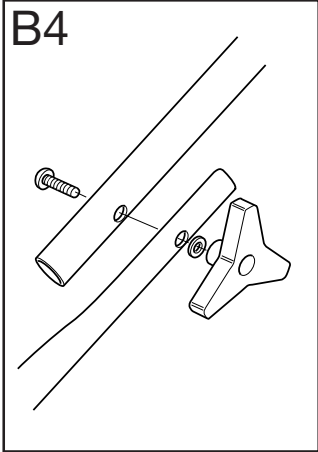


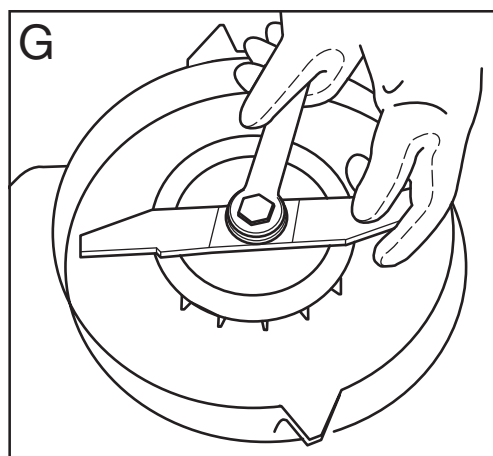
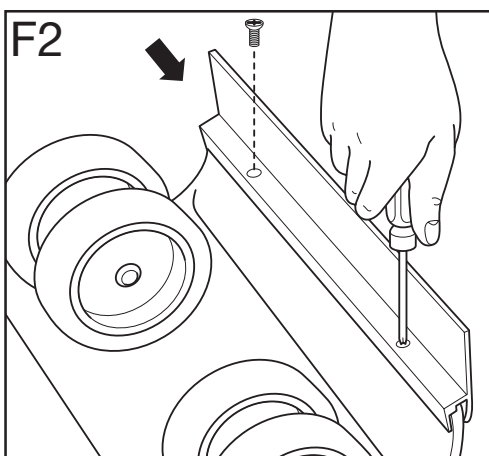
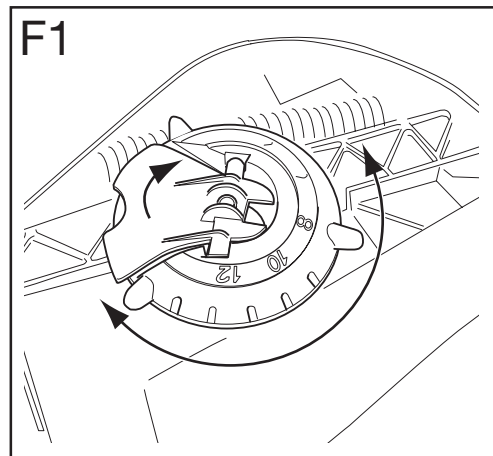
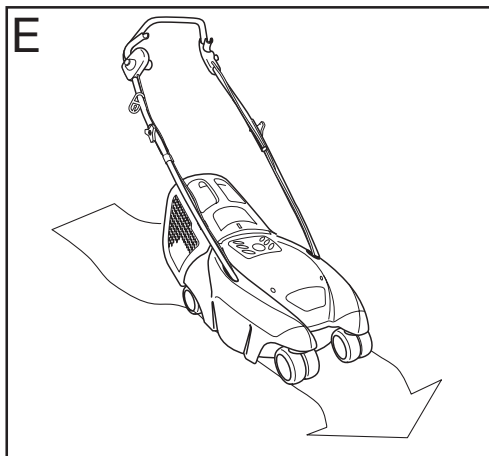
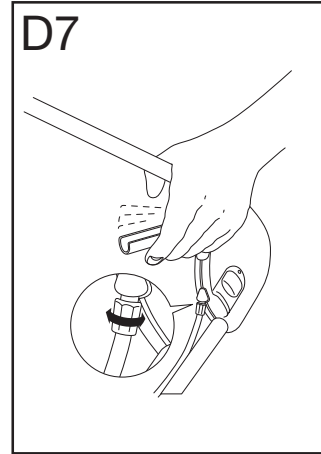
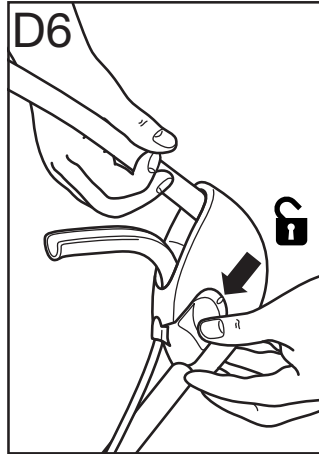
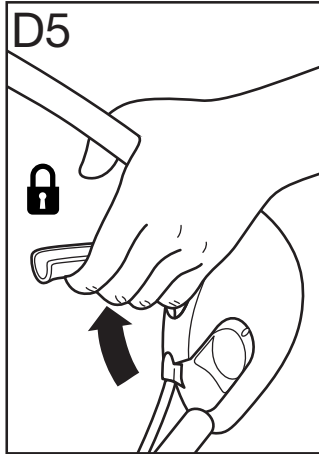
GF834
GF934
GF1034
GF1234
GF1438
GF1838



A









English

Italiano

Deutsch

Français

Nederlands

Español

Português

Ελληνικά

Danmark

Suomi

Norge

Sverige

 **BLACK &
DECKER®**



Rotary Lawnmower

User manual

Congratulations!

On your purchase of your Black & Decker corded lawnmower.

This user manual provides important operating and maintenance instructions for all of the mowers in the Black & Decker 4x4 corded range.

Know your mower



Read all of this manual carefully, observing all the recommended safety instructions before, during and after using your mower, and maintain your mower in good working order.



Familiarise yourself with the controls on your mower before attempting to operate it, but above all, be sure you know how to stop your mower in an emergency.

Retain this user manual and all other literature supplied with your mower for future reference.



- damp and slippery.
- Do not operate your mower barefoot or in open sandals.
- Use a face mask if dusty.
- Wear long trousers to protect your legs - any debris left on the lawn or cutting path may be picked up and ejected by the blades.

- Always keep the power supply cable away from the blades - be aware of its position at all times. The power supply cable should be regularly inspected for signs of damage or ageing, and only used if in good condition.

- Always be sure your mower is in a safe operating condition.



- Before using your mower, disconnect it from the electrical supply and visually check that the blade, blade nut and cutter assembly are not worn or damaged. A damaged blade or worn blade nut is a major hazard and must be replaced. Also check that the blade nut is securely fastened.

- Always check that your lawn or cutting path is clear of all sticks, stones, wire and other debris. Contact with such debris may be dangerous or may damage your mower and could be thrown by the blade.

Operation

- When tilting the handle downwards (or to the side) to start your mower, do not tilt it more than is absolutely necessary. Always ensure that both hands are in the operating position and feet are well away from the blades before returning your mower to the ground.



Your mower will continue to run for a short time after releasing the switch lever. Always allow your mower to stop on its own.

- Release the switch lever to turn your mower off and remove the plug from the mains:
 - Whenever you leave your mower unattended.
 - Before checking, cleaning, adjusting or working on your mower.
 - Before clearing a blockage.

Safety instructions

Training

- Never allow children or persons who are unfamiliar with this type of mower to use it, nor anyone who has not read this user manual.



Do not allow children, animals or other persons near your mower when in use - always keep them at least 6m (20ft) away from the cutting area.

- Remember that the operator is responsible for accidents or hazards occurring to other people or their property.
- Your mower is designed for use on AC (mains) electrical supplies only - do not attempt to use it on any other supply.
- Plug your mower into a power point - never a lighting socket.



- Switch off and remove plug from mains before adjusting, cleaning or if the cord is entangled or damaged. Never carry your mower by the cable or jerk the cable to separate the connectors. Keep the cable away from heat sources, oils or sharp edges. Check the condition of your cable before use and do not use if damaged.

Preparation

- To protect your feet, always wear stout shoes or boots - freshly cut grass is



ENGLISH

- If your mower starts to vibrate abnormally (check immediately).
- After striking a foreign object, inspect your mower for damage and make repairs as necessary.
- Never run your mower whilst lying on its side or attempt to stop the blade - always allow it to stop on its own.
- Do not put hands or feet near or under rotating parts.
- Keep clear of discharge openings at all times.
- Do not use your mower in the rain and do not allow it to get wet. Avoid using your mower in wet grass, if possible.
- Use your mower only in daylight or good artificial light.
- Do not pull machine towards you or walk backwards when mowing.
- Do not cross gravel paths or roads whilst the blade is rotating.
- Always be sure of your footing, particularly on slopes.
- Always cut across the face of slopes, never up and down. Exercise extreme caution when changing direction on slopes.
- Do not cut excessively steep slopes and always wear non-slip footwear.
- Check the grassbox for wear or damage and replace if necessary. Never use your mower without the grassbox in place.
- Walk, never run. Do not force your mower.
- Never pick up or carry your mower while the motor is running.
- Ensure the blade has stopped rotating and take extreme care before lifting your mower for and during transportation.
- Never operate your mower with defective guards or shields.



Maintenance and storage

- Store your mower in a dry place when not in use, out of the reach of children.
- Always disconnect from the electrical supply before cleaning.
- Do not use solvents or cleaning fluids to clean your mower - use a blunt scraper to remove grass and dirt.
- Do not operate your mower if any parts are defective; discard all defective parts and fit new parts before use.
- Keep all nuts, bolts and screws tight to be sure your mower is in a safe working condition.

- Use only Black & Decker recommended replacement parts and accessories.

Black & Decker's policy is one of continuous improvement to our products and, as such, we reserve the right to change product specifications without prior notice.

Double insulation



Your mower is double insulated.

This means that all external metal parts are electrically isolated from the power supply. This is achieved by placing an extra insulation barrier between the electrical and mechanical parts. Double insulation means greater electrical safety and obviates the necessity of having your mower earthed.

Electrical safety

Increased safety can be obtained by having a qualified electrician install a high sensitivity (30mA) circuit breaker in the house wiring. If you do not have such a circuit breaker installed, or you do not wish to have one installed, then we strongly recommend that the electrical power to your mower be supplied through a high sensitivity residual current device (RCD). The RCD is designed to provide a high degree of personal protection against harmful electric current should fault conditions occur.



Warning! The use of an RCD or other circuit breaker unit does not release the operator of your mower from the safety instructions and safe working practices given in this manual.

Electrical safety (UK only)



Your mower should always be switched off at the mains before disconnecting any plug and socket connector or extension cables.

Fuse replacement

If your mower is supplied with cable fitted with a non-re-wireable plug:

- The plug is fitted with a 13 amp fuse which is the recommended fuse for your mower.
- Only use replacement fuses which are approved to BS1362.

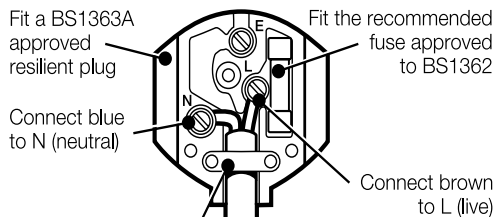


- When changing the fuse in your plug, always ensure the fuse cover is refitted. If the fuse cover is missing or damaged do not use the plug.

Note: Fuses do not give personal protection against electric shock.

Plug replacement

- Disconnect the plug from the supply.
- Cut off the plug and dispose of immediately. Insertion of a detached plug into a 13 amp socket outlet may result in electric shock.
- Only fit BS1363A approved plugs fitted with the correctly rated fuse.
- The cable wire colours, or a letter, will be marked at the connection points of most good quality plugs. Attach the wires to their respective points in the plug (see below). Brown is for "Live" (L) and blue is for "Neutral" (N).
- Before replacing the top cover of the mains plug ensure that the cable restraint is holding the outer sheath on the cable firmly and that the two leads are correctly fixed at the terminal screws.



Make sure that the outer sheath of the cable is held firmly by the clamp



Warning! Never connect live or neutral wires to the earth pin marked "E" or \perp .

Note: Do not wire an extension cable directly into your mower yourself. Instead, take your mower to your nearest Black & Decker service agent.

Features (Fig. A)

A

Your purchase of a Black & Decker lawnmower gives you a product combining quality with modern design and the following features to provide safe, efficient and easy mowing.

- Lock-off safety switch to prevent accidental starting of your mower.
- A blade brake for added safety. Stops the blade rotating within 3 seconds once the switchbox lever is released.

- Large handle wing nuts for easy assembly and storage.
- 14 height of cut positions which provides the flexibility to deal with most grass conditions.
- The height of cut is easily adjusted by rotating the height adjustment knob to the desired setting. Rotating the knob adjusts all four wheels in one action.
- Your mower has 360° rotating wheels for maximum manoeuvrability, which allows cutting right up to the edge of the lawn as well as around obstructions.
- The rear wheels are lockable to enable accurate straight-line cutting.
- Tough, durable plastic deck which will not rust and contributes to low noise and low vibration.
- Powerful and efficient induction motor which gives effective cutting and bagging in all reasonable conditions and a low noise level as well as low maintenance.
- Ergonomically designed upswept handle for comfortable use and ease of pushing.
- Easy grassbox removal.
- Cable restraint helps keep the cable out of the way and prevents the cable socket being accidentally pulled and disconnected.

Carton contents

The carton contains:

- 1 Lawnmower body
- 1 Handle assembly (3 parts)
- 1 Grassbox assembly (2 parts)
- 1 Cable restraint
- 1 Spanner/scrapper
- 1 Screwdriver
- 2 Wing nuts
- 2 Washers
- 2 Shaped washers
- 2 Bolts for upper handle
- 2 Bolts for lower handle
- 5 Screws for grassbox
- 2 Cable clips
- 1 Instruction manual

- Carefully unpack all parts.



Assembling the handle

- Place the mower with its wheels on a firm and level surface.
- B1**
- Insert the handle bars into the openings as shown in fig. B1, so that the curve makes them widen at the top.
 - Secure each of the bars with a bolt and shaped washer as shown. Securely tighten the bolt using the spanner supplied.
- B2**
- Slide the cable restraint onto the U-shaped handle below the black switchbox.
- B3**
- Place the U-shaped upper handle bar onto the bars as shown.
- B4**
- Secure the upper handle bar using the bolts, washers and wing nuts as shown.
 - Secure the cables to the handle using the cable clips supplied.



Do not use any tools to tighten the wing nuts.

Grassbox assembly (Fig. C)

The grassbox comes supplied in two halves. In order to assemble proceed as follows:

- C1**
- Align the two halves of the grassbox as shown.
 - Fit the two halves together with the 5 screws, using the screwdriver supplied.

Fitting the grassbox to your mower:

- C2**
- The spring loaded rear flap is lifted and the top of the grassbox is placed over the mounting.
 - The rear flap can now be released to lock the grassbox into position.

Removing the grassbox from your mower:

The full grassbox may be removed by raising the grassflap, freeing the grassbox from its mounting and resting it on the lawn. The grassflap can be gently lowered, leaving both hands free to lift the full grassbox.

How to use your mower (Fig. D)



Observe all of the relevant warnings when using your mower.

We recommend the directional method of operation to obtain the maximum cutting performance from your mower and to reduce the risk of the trailing extension lead from entering the cutting path.

- D1**
- Place the bulk of the supply cable on the lawn close to the starting point.

ENGLISH

To fix the cable to the restraint, proceed as follows:

- Bring the socket end of the extension cable from behind and connect it to your mower plug.
- D2**
- Form a loop on your extension cable close to the cable restraint.
 - Push the loop through the slot from the opposite side of the restraint hook, position the loop over the hook and pull the cable back through the slot. Your cable will now be restrained.
 - The extension cable should now fall away from your mower and behind the operator, ready for use.



Warning! Do not attempt to operate your mower with one hand - you must guide it with both hands.

- D3**
- Tilt the handle downwards to slightly raise the front of your mower and to reduce the risk of lawn damage whilst starting, depress the safety lock-off button on the switchbox and whilst still depressed pull the switch lever towards you. Your mower will start and you can now allow the lock-off button to be released and lower your mower to its proper cutting position, and commence cutting using both hands to guide it.



- Proceed down the cutting area as shown in Fig. D1 (a), working from position 1 towards position 2 and, on reaching position 2, turn to the right and proceed towards position 3. Continue to the end of the cutting area, turn to the left and proceed towards position 4. Continue in the same manner as shown in Fig. D1 (a), always working away from the cable. Do not adopt the method as shown in Fig. D1 (b), working towards the cable, as this is dangerous practice.
- Ensure the cable is clear of the mower when manoeuvring around obstructions or when edging.

Note: Your mower has 360° rotating wheels for maximum manoeuvrability. The rear wheels can be locked into position for straight, accurate, cutting as follows:

- D4**
- Push the mower forwards until all the wheels rotate towards the rear of the mower.
- D5**
- Pull the locking lever on the left-hand side of the mower until the ratchet engages.



- D6** • To unlock the wheels push the release button forwards.
- D7** • Should the lever fully engage on the ratchet, but the rear wheels not lock into place, then release the lever, unscrew the cable adjustment by one turn and re-engage the lever and ratchet. Repeat until the wheels fully lock into position.

Your mower will continue to operate whilst you are pulling the switch lever. To stop your mower release the switch lever.

When you have finished using your mower we recommend that you clean all debris from it before putting it away. Refer to the 'Care and maintenance' section.

Note: To obtain the best results cut your lawn or grass area regularly and do not cut when the grass is wet.

If, when mowing, loose grass is seen to be scattering from beneath your mower, the grassbag is probably full and should be emptied.

Overload protection (GF1838 only)

The GF1838 is fitted with an internal overload protector which will switch off the motor if the unit is being used in excessively long grass at a low height of cut, or if it is being forced into long grass. If the motor stops in these conditions there is not a fault with the mower. It should be left to cool for 10 minutes and then tilted slightly and run without moving for 1 to 2 minutes. The height of the cut should be set to maximum and after cutting at that height be reduced to the desired level.

Manoeuverability (Fig. E)

Your mower has fully rotating wheels and as such is capable of manoeuvring around trees posts and other objects. It also allows accurate mowing of contoured features in your garden like flower beds.

For maximum manoeuverability release the rear wheel locking mechanism by pushing the release button forwards.



When manoeuvring your mower always use the cable restraint and ensure that the cable is out of the way of the desired cutting area.

Height of cut adjustment (Fig. F)



Warning! Disconnect your mower from the electrical supply before making any adjustment and give the blade time to stop rotating: the cutting blades are sharp.

- F1** • Flip the lever outwards and hold it firmly.
- Using the lever, rotate the knob to set the desired height of cut.

F2

- Flip the lever back to lock the knob.
- To produce a stripe on your lawn, first slide the striping flap in position and fix with the 2 screws provided, then adjust the height of cut to a low position (UK only).

Note: For longer or uneven growth lawns (particularly the first cut of the season) first use a higher height setting and then finish with a second cut to the desired length.

Blade maintenance

The steel blade is designed to give a fine finish in long or tough grass. The blade will continue to cut even when it has become blunt or burred. There is no need for it to be razor sharp.

If, however, because of damage or wear the cutting performance deteriorates, then your mower may require a new blade, or at least the existing blade to be sharpened.

We recommend that the steel blade is sharpened or a new blade fitted at the beginning of each season.

Replacement blades are available from Black & Decker service agents.



Warning! When fitting a new blade use only the Black & Decker replacement part specified for your mower - do not attempt to fit any other blade.

Fitting a new blade (Fig. G)



Observe all the relevant warnings before changing the blade.

Warning! Disconnect your mower from the electrical supply before changing the blade.

G

- Turn your mower over on its side so that the underside of the cutter cover is exposed.
- Using a cloth placed over the blade or heavy duty gloves to protect your hands, grip the blade and, using the spanner provided, loosen and remove the nut from the motor spindle. Turn the nut in an anti-clockwise direction to loosen it.
- The blade can now be replaced and the washer and bolt reassembled.

Note: Do not remove the impeller for any reason.

Note: Some mowers are fitted with a clutch washer, between the blade nut and the blade, which must be reassembled at all times.

Handy hints

- On long grass, above 10cm (4 inches), use two cuts to get a close finish. We recommend that the



ENGLISH

first cut should be taken with the blade set at maximum height of cut and the second taken with it set at medium or close. This will prove to be easier and give a better overall finish to your lawn.

Care and maintenance

The advice given in this section covers the general care and maintenance of the main body of your mower. Advice relating to the blades is given in "Maintenance of blades".



Warning! Do not use an extension cable which shows signs of damage. Fit a new cable completely - do not make any permanent or temporary repairs.

- Always keep your mower clean and free from grass cuttings, especially the underside of the cutter deck, the air vents and the wheels.
- Check all electrical cables at regular intervals, looking for signs of wear, abrasion or other damage.
- At the end of each cutting session we recommend that the build up of grass on the underside of the cutter cover is removed using a blunt scraper.
- Clean all plastic components with a damp cloth.

Caution: Do not use solvents or cleaning fluids as these may damage the plastic components of your mower.

Fault finding

If your mower does not operate correctly, use the following table to locate the problem.



Warning! Always disconnect your mower from the electrical supply before carrying out any inspection.

Symptoms	Possible cause	Remedy
Motor buzzes but blade does not move.	Blade jammed.	Disconnect from the electrical supply. Remove obstruction from the blade.
No noise and blade does not move.	Faulty electrical connection.	Disconnect from the electrical supply. Plug your mower into an alternative compatible electrical supply.

Symptoms	Possible cause	Remedy
No noise and blade does not move.	Faulty electrical connection.	Fit a new fuse. Re-tighten and check all electrical connections in extension cables. Re-set RCD in accordance with instructions.
No noise and blade does not move.	GF1838 only Overload protector activated.	See section on Overload protection.

Protecting the environment



Black & Decker provides a facility for recycling Black & Decker products once they have reached the end of their working life. This service is provided free of charge. To take advantage of this service please return your product to any authorised repair agent who will collect them on our behalf.

You can check the location of your nearest authorised repair agent by contacting your local Black & Decker office at the address indicated in this manual. Alternatively, a list of authorised Black & Decker repair agents and full details of our after-sales service and contacts are available on the Internet at: www.2helpU.com.

Guarantee

Black & Decker is confident of the quality of its products and offers an outstanding guarantee. This guarantee statement is in addition to and in no way prejudices your statutory rights. The guarantee is valid within the territories of the Member States of the European Union and the European Free Trade Area.

If a Black & Decker product becomes defective due to faulty materials, workmanship or lack of conformity, within 24 months from the date of purchase, Black & Decker guarantees to replace defective parts, repair products subjected to fair wear and tear or replace such products to ensure minimum inconvenience to the customer unless:

- The product has been used for trade, professional or hire purposes;
- The product has been subjected to misuse or neglect;
- The product has sustained damage through foreign objects, substances or accidents;



ENGLISH

- Repairs have been attempted by other persons than authorised repair agents or Black & Decker service staff.

To claim on the guarantee, you will need to submit proof of purchase to the seller or an authorised repair agent. You can check the location of your nearest authorised repair agent by contacting your local Black & Decker office at the address indicated in this manual. Alternatively, a list of authorised Black & Decker repair agents and full details of our after-sales service and contacts are available on the Internet at: www.2helpU.com.

Other outdoor tools

Black & Decker has a full range of outdoor power tools that make life in the garden easy. If you would like further information on the following products, please contact our Service and Information Centre (see the address page towards the end of this manual) or your local Black & Decker retailer.

String trimmers
Chainsaws
Cordless shear
Hedgetrimmers
Lawnmowers
Lawnrakers
Leafbusters
Shredders

Not all products are available in all countries.

EC Declaration of Conformity

**GF834/GF934/GF1034/GF1234/GF1438/
GF1838**

Black & Decker declares that these tools conform to:

98/37/EC, 89/336/EEC, 73/23/EEC,
EN 55014, EN 60335, EN 61000,
2000/14/EC, Lawn mower, L 50 cm,
Annex VIII, No. 0086

B.S.I., HP2 4SQ, United Kingdom

Level of sound pressure, measured according to
2000/14/EC:

L_{pA}	(sound pressure)	dB(A)	79
L_{WA}	(acoustic power)	dB(A)	93
L_{WA}	(guaranteed)	dB(A)	96

Hand/arm weighted vibration value according to
EN 50144: < 2.5 m/s²

Brian Cooke

Director of Engineering
Spennymoor, County Durham DL16 6JG
United Kingdom
1-12-2001



Tosaerba rotativo

Manuale d'istruzioni

Introduzione

Per l'acquisto del tosaerba Black & Decker

Questo manuale dell'utente contiene importanti istruzioni per l'uso e la manutenzione di tutti tosaerba della gamma Black & Decker 4 x 4 con filo di alimentazione.

Imparare a conoscere la macchina



Leggere attentamente tutto il manuale di istruzioni e osservare tutte le precauzioni di sicurezza (avvertenze) prima, durante e dopo l'utilizzo dell'utensile e mantenerlo sempre in buone condizioni d'utilizzo.

Familiarizzare con tutti i comandi dell'utensile prima di iniziare ad usarlo, ma soprattutto assicurarsi di sapere come spegnerlo in caso di emergenza.

Conservare questo manuale e tutti i depliant forniti per ogni riferimento futuro.

Norme di sicurezza

Istruzione

- Non lasciare mai che l'apparecchio venga utilizzato da bambini o persone che non abbiano dimestichezza con lo stesso e che non abbiano letto le istruzioni.



Non permettere a bambini, animali o altre persone di stazionare nelle vicinanze dell'apparecchio in uso - tenerli sempre a una distanza minima di 6m dalla zona di taglio.

- Ricordarsi che l'operatore/utente è responsabile dei pericoli o danni arrecati a persone o a cose di loro proprietà.
- L'apparecchio è previsto per essere utilizzato solo con un'alimentazione (rete elettrica) a corrente alternata. Non utilizzare fonti di alimentazione diverse.
- Inserire la spina in una presa di alimentazione



- Disinserire l'alimentazione e staccare la spina dalla presa di corrente prima di regolare il tosaerba, pulirlo oppure se il cavo è impigliato o danneggiato. Non trasportare mai il tosaerba reggendolo per il cavo né scuotere il cavo per separare i connettori. Mantenere il cavo lontano da fonti di calore, olii o bordi affilati. Controllare le condizioni del cavo

prima dell'uso e non usare il tosaerba se il cavo è danneggiato.

Preparazione

- Per proteggere i piedi indossare sempre scarpe o stivali resistenti - l'erba tagliata di fresco è umida e scivolosa.
- Indossare protezioni per le orecchie se, durante l'uso dell'apparecchio, la rumorosità raggiunge un livello fastidioso.
- L'operatore non deve azionare l'apparecchio a piedi nudi o con sandali aperti.
- Indossare pantaloni lunghi per proteggere le gambe; i detriti rimasti sul prato o nella zona di taglio possono venire raccolti e scagliati dalle lame.
- Tenere sempre il cavo di alimentazione a distanza dalle lame - e controllarne la posizione ogni volta. Controllare regolarmente il cavo di alimentazione per identificare eventuali segni di danni o usura, e impiegarlo soltanto se in buone condizioni.



- Accertarsi che l'apparecchio funzioni sempre in buone condizioni di sicurezza.
- Prima di usare l'utensile disinnestarlo dalla rete elettrica e controllare la lama e le parti ruotanti per verificare la presenza di eventuali segni di danni o di logorio. Una lama danneggiata e dei bulloni allentati costituiscono elementi di pericolo. Verificare anche che la lama sia ben fissata. Controllare frequentemente che tutte le viti e i bulloni siano ben stretti.
- Controllare sempre che nel prato o nella zona di taglio non vi siano ramoscelli, pietre, filo e altri detriti. I denti del rastrello potrebbero proiettarli all'esterno creando una situazione pericolosa o danneggiando l'apparecchio.



Funzionamento

- Quando per l'avviamento si inclina il manico verso il basso o a lato, non compiere movimenti più ampi del necessario. Accertarsi sempre che entrambe le mani si trovino nella posizione giusta per l'uso e che i piedi siano ben lontani dalle lame prima di rimettere in posizione l'apparecchio.



Dopo aver sbloccato la leva di comando l'apparecchio continuerà a funzionare



per breve tempo. Aspettare che si fermi da solo.

- Per spegnere l'apparecchio sbloccare la leva di comando e staccare la spina dalla presa di rete:
 - Quando si lascia l'apparecchio incustodito.
 - Prima di effettuare operazioni di controllo, pulizia, regolazione e intervento sull'apparecchio.
 - Prima di togliere un'ostruzione.
 - Se l'apparecchio inizia a vibrare in modo anormale (effettuare un controllo immediato).
 - Dopo aver colpito un corpo estraneo. Controllare eventuali danni all'apparecchio ed effettuare le riparazioni necessarie.
- Non azionare l'apparecchio appoggiato su un lato né tentare di arrestare le lame - aspettare sempre che si fermi da solo.
- Non avvicinare le mani o i piedi né metterli sotto le parti rotanti.
- Tenersi sempre a distanza dalle aperture di scarico.
- Non usare l'apparecchio quando piove o in presenza di umidità né, se possibile, sull'erba bagnata.
- Usare l'apparecchio solo di giorno o in presenza di una buona illuminazione artificiale.
- Non tirare l'utensile verso di sé né camminare all'indietro durante il taglio dell'erba.
- Non tirare verso di sé l'apparecchio né camminare all'indietro durante l'uso.
- Non attraversare stradine o sentieri in ghiaia mentre le lame sono in rotazione.
- Controllare la sicurezza dei propri punti d'appoggio, soprattutto sui pendii.
- Tagliare sempre in direzione trasversale rispetto al pendio, mai in verticale. Cambiare direzione in pendenza con estrema cautela.
- Non tagliare su pendii troppo ripidi e indossare sempre calzature anti-scivolo.
- Non sollevare o trasportare l'apparecchio con il motore in funzione. Quando si procede a tale operazione accertarsi che le lame abbiano smesso di ruotare.
- Per il trasporto sollevare l'unità con estrema cautela.
- Non utilizzare mai l'apparecchio con protezioni difettose.



Manutenzione e conservazione

- Riponete la macchina non in uso in un luogo asciutto e lontano dalla portata dei bambini.
- Non utilizzate la macchina con parti difettose. Sostituite sempre le parti difettose prima dell'uso.
- Non usate solventi o altre sostanze chimiche per pulire l'utensile - usate un raschietto non appuntito per rimuovere erba e detriti. Disinserite sempre la spina dalla presa di alimentazione prima di procedere alla pulizia dell'utensile.
- Controllate che tutti i dadi e le viti siano sempre serrati, per essere sicuri che l'utensile sia in condizioni efficienti.
- Usate solo parti ed accessori originali Black & Decker.

Black & Decker si pone l'obiettivo di migliorare costantemente i suoi prodotti e, a tale scopo, si riserva il diritto di modificarne le specifiche senza preavviso.

Doppio isolamento



L'apparecchio è dotato di un doppio isolamento. In altre parole una barriera supplementare, collocata tra i componenti elettrici e quelli meccanici, isola elettricamente dall'alimentazione tutti i particolari metallici esterni. Il doppio isolamento offre una maggiore sicurezza elettrica rendendo superfluo il collegamento a terra dell'apparecchio.

Sicurezza elettrica



Spegnere sempre l'apparecchio dalla rete prima di staccare qualsiasi spina, presa o prolunga.

Per aumentare ulteriormente la sicurezza far installare da un elettricista specializzato un interruttore ad alta sensibilità (30mA) nell'impianto domestico.

Se non si desidera tale installazione, oppure non è stata effettuata, si consiglia caldamente di alimentare l'apparecchio mediante un dispositivo per corrente residua ad alta sensibilità (RCD), ideato per fornire un elevato grado di protezione personale contro gli effetti indesiderati della corrente elettrica in caso di guasti.



Avvertenza! L'impiego del RCD o di altri dispositivi interruttori non esenta l'operatore dall'osservare le istruzioni di sicurezza e le norme per il funzionamento sicuro contenute nel presente manuale.



Caratteristiche (Fig. A)

A Acquistando un tosaerba Black & Decker avete acquistato un prodotto in cui qualità e design moderno si combinano con le seguenti caratteristiche per assicurare un uso efficiente, facile e sicuro.

- Interruttore di blocco di sicurezza per evitare l'avviamento accidentale del tosaerba.
- Un freno lama per un'ulteriore sicurezza. Il freno impedisce la rotazione delle lame entro 3 secondi dal rilascio della leva della scatola dell'interruttore.
- Dei grandi dadi ad alette dell'impugnatura per poter assemblare e riporre facilmente l'utensile.
- 14 posizioni di altezza di taglio che offrono la flessibilità necessaria per affrontare la maggior parte delle condizioni dell'erba.
- L'altezza di taglio è facilmente regolabile ruotando l'apposita manopola sull'impostazione desiderata. Ruotando la manopola si regolano tutte e quattro le ruote insieme.
- Il tosaerba è munito di ruote orientabili a 360° per la massima manovrabilità; il che consente di tagliare l'erba fino al bordo del prato, nonché intorno agli ostacoli.
- Le ruote posteriori sono bloccabili per consentire il taglio rettilineo accurato.
- Il corpo in plastica robusta e durevole che non si arrugginisce contribuisce a ridurre la rumorosità e le vibrazioni.
- Il motore ad induzione potente ed efficiente assicura il taglio e la raccolta efficiente dell'erba in tutte le condizioni ragionevoli di impiego, un ridotto livello di rumorosità ed una minima manutenzione.
- L'impugnatura ergonomica ripiegata in alto rende il tosaerba facile da spingere e confortevole da usare.
- Facile meccanismo di rimozione del contenitore raccoglierba.
- Il fermo del cavo aiuta ad evitare che il cavo possa impigliarsi ed evita che la spina del cavo possa essere accidentalmente estratta dalla presa di corrente.

Contenuto della scatola

La scatola contiene:

- 1 Struttura principale tosaerba
- 1 Impugnatura (3 pezzi)
- 1 Impugnatura (2 pezzi)

ITALIANO

- 1 Fermacavo
- 1 Chiave fissaggio lama
- 1 Cacciavite
- 2 Dadi ad alette
- 2 Rondelle
- 2 Rondelle sagomate
- 2 Bulloni per l'impugnatura superiore
- 2 Bulloni per l'impugnatura inferiore
- 5 Viti per cestello raccoglierba
- 2 Fermacavo
- 1 Libretto d'istruzioni

- Disimballate con cura tutte le parti.

Montaggio dell'impugnatura

- Collocare il tosaerba poggiandone le ruote su una superficie stabile e piana.
- B1** • Inserire le barre dell'impugnatura nelle aperture, come indicato nella fig. B1, in modo tale che la curva le faccia allargare nella parte superiore.
- Fissare ognuna delle barre con un bullone e una rondella sagomata, come illustrato. Stringere saldamente il bullone usando la chiave a settore fornita.
- B2** • Fare scivolare il fermacavo sull'impugnatura a forma di U che si trova sotto il quadro elettrico nero.
- B3** • Collocare la barra dell'impugnatura superiore a forma di U sulle barre come illustrato.
- B4** • Fissare la barra dell'impugnatura superiore usando i bulloni, le rondelle e i dadi ad alette, come illustrato.
- Fissare i cavi all'impugnatura usando i fermacavo forniti.



Non usare nessun utensile per stringere i dadi ad alette.

Montaggio del contenitore raccoglierba (Fig. C)

Il contenitore raccoglierba viene fornito suddiviso in due metà. Per assemblarlo, procedere nel modo seguente:

- C1** • Allineare le due metà del cestello raccoglierba, come illustrato.



- Fissare reciprocamente le due metà con le 5 viti, usando il cacciavite fornito.
- Premere assieme le due metà per agganciare i fermagli.

Montaggio del contenitore raccogliherba al tosaerba:

- C2**
- Sollevare il deflettore posteriore caricato a molla ed inserire la sommità del contenitore raccogliherba sopra il supporto.
 - Lasciare, quindi, il deflettore posteriore per bloccare il contenitore raccogliherba in posizione.

Smontaggio del contenitore raccogliherba dal tosaerba:

Una volta riempito, il contenitore raccogliherba può essere sganciato sollevando il deflettore, liberando il contenitore dal suo supporto ed appoggiandolo sul prato. Il deflettore può essere abbassato delicatamente lasciando all'utente entrambe le mani libere per sollevare il contenitore raccogliherba pieno.

Come utilizzare il tagliaerba (Fig. D)



Osservate sempre tutte le norme di sicurezza durante l'utilizzo del vostro tagliaerba.

Vi consigliamo di procedere al lavoro secondo le direzioni indicate per ottenere le prestazioni migliori dalla vostra macchina e per ridurre il rischio di essere intralciati dai cavi di prolunga.

- D1**
- Appoggiare il grosso del cavo di alimentazione sul prato, vicino al punto di partenza.

Per fissare il cavo al relativo fermo, procedere nel modo seguente:

- Inserire da dietro l'estremità del cavo di prolunga dotata di presa e collegarla alla spina dell'utensile.

- D2**
- Ripiegare a cappio il cavo di prolunga vicino al fermo del cavo.

- Inserite l'anello attraverso la fessura dal lato opposto rispetto al serracavo, posizionate l'anello sopra al gancio ed estraete il cavo attraverso la fessura. Il cavo è così serrato.

- Il cavo ora dovrebbe cadere lontano dalla macchina dietro all'operatore, pronto all'uso.



Attenzione! Non tentate mai di utilizzare la macchina con una sola mano - guidatela con entrambe le mani.

- D3**
- Inclinare l'impugnatura verso il basso per sollevare leggermente la parte anteriore del tosaerba e ridurre il rischio di danneggiamento del prato durante l'avviamento. Premere il pulsante di blocco sulla scatola dell'interruttore e, mantenendolo premuto, tirare la levetta dell'interruttore verso di sé. Il tosaerba si avvierà ed ora è possibile lasciare andare il pulsante di blocco. Abbassare il tosaerba nella sua corretta posizione di taglio ed iniziare a tagliare, usando entrambe le mani per guidarlo.



- Procedere verso l'area di taglio come mostrato nella Fig. D1 (a), lavorando dalla posizione 1 verso la posizione 2 e, nel raggiungere la posizione 2, girare a destra e procedere verso la posizione 3. Continuare fino al termine dell'area di taglio, girare a sinistra e procedere verso la posizione 4. Continuare nello stesso modo come mostrato nella Fig. D1 (a), lavorando sempre in direzione opposta al cavo. Non utilizzate il metodo illustrato dalla Fig. D1 (b) in quanto è pericoloso.
- Assicurarvi che il cavo non intralci il tosaerba quando si manovra intorno ad ostacoli, oppure quando si tagliano i bordi.

Nota: il tosaerba è munito di ruote orientabili a 360° per la massima manovrabilità. Le ruote posteriori possono essere bloccate per eseguire tagli rettilinei accurati, nel modo seguente:

- D4**
- Spingere il tosaerba in avanti fino a che tutte le ruote ruotano verso il retro del tosaerba.

- D5**
- Tirare la levetta di blocco posta sulla sinistra del tosaerba fino ad innestare il dente di arresto.

- D6**
- Per sbloccare le ruote spingere in avanti il pulsante di sgancio.

- D7**
- Nel caso che la levetta si innesti completamente sul dente di arresto ma le ruote posteriori non si bloccano in posizione, rilasciare la levetta, svitare di un giro il dispositivo di regolazione del cavo ed innestare nuovamente la levetta sul dente di arresto. Ripetere la procedura fino a quando le ruote si bloccano completamente in posizione.

Il tosaerba continuerà a funzionare fintanto che si manterrà premuta la levetta dell'interruttore. Per fermare il tosaerba lasciar andare la levetta dell'interruttore.

Al termine dell'uso, si consiglia di pulire il tosaerba asportando tutti i detriti, prima di riparlo. Consultare la sezione "Cura e manutenzione".



ITALIANO

Nota: per ottenere i migliori risultati, tagliare il prato o l'area erbosa ad intervalli regolari, evitando di tagliare l'erba quando è bagnata.

Se, durante il taglio dell'erba, viene notata dell'erba tagliata che si sparge da sotto il tosaerba, probabilmente la scatola raccogliherba è piena e deve essere svuotata.

Protezione da sovraccarico (solo GF1838)

Il tosaerba GF1838 è munito di protettore da sovraccarico interno che spegnerà il motore se l'utensile viene usato per tagliare erba eccessivamente lunga ad una bassa altezza di taglio oppure se esso viene forzato nell'erba lunga. Se il motore si ferma in queste condizioni, il tosaerba non ha alcun guasto. Esso deve essere lasciato raffreddare per 10 minuti e quindi inclinato leggermente ed essere posto in funzione senza tagliare erba per 1-2 minuti. L'altezza del taglio deve essere impostata al massimo e dopo il taglio a quell'altezza, essa deve essere ridotta al livello desiderato.

Manovrabilità (Fig. E)

Il tosaerba è munito di ruote completamente orientabili e, pertanto, può essere manovrato attorno alla base di alberi, pali ed altri oggetti. Inoltre, esso consente di tagliare accuratamente i bordi ricurvi del giardino, come i bordi delle aiuole.

Per ottenere la massima manovrabilità, sbloccare le ruote posteriori premendo in avanti il pulsante di sblocco.



Nel manovrare il tosaerba usare sempre il fermo del cavo ed assicurarsi che il cavo non possa intralciare l'area in cui si desidera tagliare l'erba.

Regolazione dell'altezza di taglio (Fig. F)



Avvertenza! Scollegare il tosaerba dall'alimentazione elettrica prima di effettuare qualsiasi regolazione ed aspettare che le lame si fermino: le lame sono affilate.

F1

- Spostare la leva verso l'esterno e mantenerla saldamente.
- Usando la leva, ruotare la manopola per impostare l'altezza di taglio desiderata.
- Riportare la leva nella posizione precedente per bloccare la manopola.

F2

- Per produrre un effetto striato sul prato, innanzitutto far scorrere il deflettore di striatura in posizione e fissare con le 2 viti fornite, quindi regolare l'altezza di taglio ad una posizione bassa (solo GB).

Nota: per tagliare l'erba più lunga o di altezza irregolare (in particolare per eseguire il primo taglio della stagione) usare prima un'impostazione elevata dell'altezza e quindi eseguire una seconda passata con l'impostazione all'altezza desiderata.

Manutenzione della lama

Le lame in acciaio sono disegnate per dare buona finitura su erba alta o dura. La lama continuerà a tagliare anche una volta perso il filo. Non è necessario che sia affilatissima.

Ma nel caso che le prestazioni siano sensibilmente ridotte dalle cattive condizioni della lama allora è consigliabile procedere alla sostituzione o riaffilatura delle lame.

Consigliamo di riaffilare o sostituire la lama in acciaio all'inizio di ogni stagione.

Le lame sono disponibili presso rivenditori e filiali di assistenza Black & Decker.



Attenzione! Utilizzare solo lame e parti Black & Decker specificate per il vostro modello - non montare mai altre lame.

Montaggio di lame nuove (Fig. G)



Osservare sempre tutte le "attenzioni" al termine dell'uso.

G

Attenzione! Scollegare la spina dalla presa.

- Capovolgere il tosaerba in modo che la parte inferiore del tosaerba sia rivolta verso l'alto.
- Usando un panno posto sopra la lama o dei guanti pesanti per proteggere le mani, prendere la lama e usando la chiave fornita allentare e rimuovere il bullone dall'alberino del motore. Girare il dado in senso antiorario per allentarlo.
- La lama può adesso essere sostituita e la rondella ed il bullone riasssemblati.

Nota: Non rimuovete per nessun motivo l'eccitatore.

Nota: Alcuni modelli sono forniti con una rondella posizionata tra la lama e il bullone, questa rondella deve essere sempre riposizionata nella giusta posizione.



Consigli e suggerimenti utili

- Sull'erba alta, sopra i 10 cm. fate due tagli per ottenere un lavoro finito. Si consiglia di fare il primo taglio con la lama posizionata sulla massima altezza di taglio ed il secondo ad una altezza di taglio intermedia. Questo vi permetterà di dare al prato un taglio più facile e finito.

Nessuna rumorosità e la lama non si muove.

Solo GF1838 Protettore da sovraccarico attivato.

Vedere la sezione relativa alla protezione da sovraccarico.

Cura e manutenzione

Le note contenute in questo capitolo si riferiscono alla cura generale del vostro tagliaerba.



Attenzione! Non usare prolunghe che mostrino segni di deterioramento - sostituire sempre il cavo completo non effettuare mai riparazione temporanee o permanenti.

- Mantenere sempre il tosaerba pulito e sgombro di detriti di erba, specialmente la parte inferiore del corpo del tosaerba, le bocchette dell'aria e le ruote.
- Controllare regolarmente tutti i cavi elettrici.
- Al termine di ogni sessione di taglio, rimuovere con una spatola i rimasugli di erba attaccati sotto al tosaerba.
- Pulire tutti i componenti in plastica con un panno umido.

Attenzione: Non usare solventi o altri fluidi in quanto potrebbero danneggiare le parti in plastica dell'utensile.

Protezione dell'ambiente



Black & Decker offre ai suoi clienti la possibilità di riciclare i prodotti Black & Decker che hanno esaurito la loro vita di servizio. Il servizio viene offerto gratuitamente. Per utilizzarlo, è sufficiente restituire il prodotto a qualsiasi tecnico autorizzato, incaricato della raccolta per conto dell'azienda.

Per individuare il tecnico autorizzato più vicino, rivolgersi alla sede Black & Decker locale, presso il recapito indicato nel presente manuale. Altrimenti un elenco completo di tutti i tecnici autorizzati Black & Decker e i dettagli completi sui contatti e i servizi post-vendita sono disponibili su Internet presso: www.2helpU.com.

Garanzia

Certa della qualità dei suoi prodotti, Black & Decker offre una garanzia eccezionale. Il presente certificato di garanzia è complementare ai diritti statutari e non li pregiudica in alcun modo. La garanzia è valida entro il territorio degli Stati membri dell'Unione Europea e dell'EFTA (European Free Trade Area).

Se un prodotto Black & Decker risulta difettoso per qualità del materiale, della costruzione o per mancata conformità entro 24 mesi dalla data di acquisto, Black & Decker garantisce la sostituzione delle parti difettose, provvede alla riparazione dei prodotti se ragionevolmente usurati oppure alla loro sostituzione, in modo da ridurre al minimo il disagio del cliente a meno che:

- Il prodotto non sia stato destinato ad usi commerciali, professionali o al noleggio;
- Il prodotto non sia stato usato in modo improprio o scorretto;
- Il prodotto non abbia subito danni causati da oggetti o sostanze estranee oppure incidenti;
- Il prodotto non abbia subito tentativi di riparazione non effettuati da tecnici autorizzati né dall'assistenza Black & Decker.

Per attivare la garanzia è necessario esibire la prova comprovante l'acquisto al venditore o al tecnico autorizzato. Per individuare il tecnico autorizzato più vicino, rivolgersi alla sede Black & Decker locale, presso il recapito indicato nel presente manuale.

Per individuare eventuali guasti

Se l'utensile non lavora bene, usare la seguente tabella per identificare il problema.



Attenzione! Disconnettere sempre il tosaerba dalla rete elettrica prima di procedere a qualsiasi ispezione.

Sintomi	Possibili cause	Rimedi
Il motore gira ma la lama non si muove.	La lama è bloccata.	Disinnestare l'utensile dalla rete elettrica. Togliere ciò che blocca la lama.
Il motore non gira e le lame non si muovono.	Il collegamento elettrico è difettoso.	Disinnestare l'utensile dalla rete elettrica. Inserire la spina in una presa diversa. Inserire un nuovo fusibile.
Il motore non gira e le lame non si muovono.	Il collegamento elettrico è difettoso.	Riavvitare e controllare tutti i collegamenti elettrici del cavo e della prolunga.



ITALIANO

Altrimenti un elenco completo di tutti i tecnici autorizzati Black & Decker e i dettagli completi sui contatti e i servizi post-vendita sono disponibili su Internet presso: www.2helpU.com.

Altri utensili di giardinaggio

La Black & Decker ha una gamma completa di utensili per il giardinaggio che rende semplice la vita in giardino. Se desiderate ulteriori informazioni sui seguenti prodotti, vi preghiamo di contattare il nostro Centro D'Informazione e Manutenzione (vedere la pagina degli indirizzi alla fine di questo libretto d'istruzioni) od il vostro rivenditore Black & Decker

Tosatori a lame o a catena

Motoseghe

Scope elettriche

Tosasiepi a batteria

Tagliasiepi a batteria

Tosasiepi

Tosaerba

Rastrelli

Sramatori

Biotrituratori

Non tutti i prodotti sono disponibili in tutti i paesi.

Dichiarazione di conformità EC

**GF834/GF934/GF1034/GF1234/GF1438/
GF1838**

Black & Decker dichiara che questi utensili sono stati costruiti in conformità a:

98/37/CEE, 89/336/CEE, 73/23/CEE,
EN 55014, EN 60335, EN 61000,
2000/14/CEE, tosaerba, L 50 cm,
Annex VIII, No. 0086

B.S.I., HP2 4SQ, Regno Unito

Livello di rumorosità, dati ricavati in base alla norma 2000/14/CEE:

L_{pA}	(rumorosità)	dB(A)	79
L_{WA}	(potenza sonora)	dB(A)	93
L_{WA}	(garantito)	dB(A)	96

Il valore medio quadratico ponderato dell'accelerazione secondo EN 50144: < 2,5 m/s²

Brian Cooke

Direttore di Ricerca e Sviluppo
Spennymoor, County Durham DL16 6JG, United Kingdom
1-12-2001



Rasenmäher

Bedienungsanleitung

Herzlichen Glückwunsch!

Zum Kauf Ihres Black & Decker Rasenmähers. Diese Bedienungsanleitung enthält wichtige Anleitungen für den Betrieb und die Bedienung aller Rasenmäher im Black & Decker 4x4 Angebot mit Kabel.

Machen Sie sich mit dem Gerät vertraut



Lesen Sie diese Anleitung sorgfältig durch. Beachten Sie vor, während und nach dem Arbeiten mit dem Gerät alle Sicherheitsanleitungen und halten Sie das Gerät in gutem Betriebszustand.



Machen Sie sich vor dem Arbeiten mit dem Gerät mit den Bedienelementen vertraut und stellen Sie sicher, daß Sie wissen, wie das Gerät im Notfall ausgeschaltet wird.

Bewahren Sie diese Anleitung und alle andere mit dem Gerät gelieferte Literatur für spätere Bezugnahme gut auf.

Sicherheitshinweise

Allgemeines

- Lassen Sie weder Kinder noch Personen, die mit dieser Art von Gerät nicht vertraut sind oder die die Bedienungsanleitung nicht durchgelesen haben, dieses benutzen.



Lassen Sie keine Kinder, Tiere oder andere Personen in die Nähe des Gerätes, während es in Betrieb ist - halten Sie sie stets mindestens 6m vom Arbeitsbereich entfernt.

- Denken Sie daran, daß Sie als Benutzer des Gerätes für Verletzungen Dritter oder Beschädigungen an deren Eigentum verantwortlich sind.
- Ihre Maschine ist ausschließlich für den Betrieb mit Netzstrom (Wechselstrom) ausgelegt. Versuchen sie nicht, das Gerät mit einer anderen Stromquelle zu betreiben.
- Schließen Sie das Gerät immer an eine Netzsteckdose an.



- Schalten Sie das Gerät ab und ziehen Sie den Netzstecker, bevor Sie Einstellungen oder Reinigungsarbeiten am Rasenmäher vornehmen oder wenn sich das Kabel

verwickelt hat oder beschädigt ist. Tragen Sie das Gerät niemals am Kabel und zerren Sie auch nicht am Kabel, um dieses aus der Steckdose zu ziehen. Halten Sie das Kabel fern von Heizquellen, Öl oder scharfen Kanten. Prüfen Sie vor dem Einsatz den Zustand des Kabels und benutzen Sie es nicht, wenn es beschädigt wird.

Vorbereitung

- Schützen Sie Ihre Füße durch feste Schuhe oder Stiefel - frisch gemähtes Gras ist feucht und rutschig.
- Benutzen Sie bei Auftreten von Staub eine Gesichtsmaske.
- Verwenden Sie nur ein Verlängerungskabel, das für den Außenbereich zugelassen ist und einen Querschnitt von mindestens H05 RNF 3 x 1.0mm² aufweist.
- Tragen Sie beim Arbeiten mit dem Gerät keine Sandalen und gehen Sie auch nicht barfuß.
- Das Stromkabel sollte regelmäßig auf Anzeichen von Beschädigung oder Alterung geprüft und nur in gutem Zustand verwendet werden. Tragen Sie zum Schutz der Beine eine lange Hose - Gegenstände, die auf dem Rasen liegen, könnten vom Messerbalken erfaßt und herumgeschleudert werden.
- Achten Sie immer auf die Lage des Stromkabels und halten Sie es vom laufenden Rasenmähermesser fern.
- Überprüfen Sie, bevor Sie das Gerät ans Stromnetz anschließen, und mit der Arbeit beginnen, ob das Messer oder die Messerschraube beschädigt oder verschliffen sind. Jedes beschädigte Teil muß unverzüglich ersetzt werden, da es eine potentielle Gefahrenquelle darstellt. Prüfen Sie bitte auch, ob die Messerschraube fest und sicher angezogen ist.
- Vergewissern Sie sich, daß Ihr Arbeitsbereich immer frei von Steinen, Draht und anderen Fremdkörpern ist. Derartige Teile könnten durch die rotierende Walze herumgeschleudert werden, bzw. das Gerät beschädigen.



Betrieb des Gerätes

- Wenn Sie zum Starten des Gerätes den Handgriff nach unten drücken oder den



Rasenmäher seitlich kippen, stellen Sie vorher sicher, daß Sie einen festen Stand haben, mit beiden Händen am Gerät sind und Ihre Füße ausreichend Abstand zum Messerbalken haben.



Nach dem Loslassen des Betriebsschalters läuft das Gerät kurze Zeit nach. Lassen Sie es immer von allein auslaufen.

- Ziehen Sie immer den Netzstecker:
 - Wenn Sie das Gerät unbeaufsichtigt lassen.
 - Bevor Sie am Gerät irgendwelche Überprüfungen, Reinigung, Nachstellungen oder Arbeiten vornehmen.
 - Vor dem Beseitigen einer Störung.
 - Wenn das Gerät abnormal zu vibrieren beginnt (sofort prüfen).
 - Wenn der Messerbalken mit einem Fremdkörper in Berührung gekommen ist. Untersuchen Sie das Gerät auf Beschädigungen und ersetzen Sie ggf. defekte Teile.
 - Lassen Sie das Gerät niemals laufen, wenn es auf der Seite liegt und versuchen Sie nicht, das Messer zu stoppen; lassen Sie es immer von allein auslaufen.
- Halten Sie Hände und Füße von den rotierenden Teilen fern.
- Halten sie jederzeit von allen Auslaßöffnungen Abstand.
- Benutzen Sie das Gerät nicht im Regen und lassen Sie es nicht naß werden. Benutzen Sie es, wenn möglich, nicht auf nassem Gras.
- Benutzen Sie das Gerät nur bei Tageslicht oder guter künstlicher Beleuchtung.
- Ziehen Sie das Gerät nicht zu sich und gehen Sie beim Einsatz des Gerätes nicht rückwärts.
- Schieben Sie das Gerät immer vorwärts und gehen Sie beim Einsatz des Gerätes nicht rückwärts.
- Überqueren Sie keine Kieswege oder Straßen solange sich die Schneide dreht.
- Sorgen Sie immer dafür, daß Sie sicher stehen, besonders an Böschungen.
- Arbeiten Sie in Hanglagen immer quer zum Gefälle, niemals auf- oder abwärts. Seien Sie besonders vorsichtig bei Richtungswechseln.
- Mähen Sie mit dem Gerät keine übermäßig steilen Böschungen und tragen Sie immer rutschfeste Schuhe.

- Gehen Sie beim Einsatz des Gerätes langsam; nicht schnell laufen. Wenden Sie bei Einsatz keinen übermäßigen Druck an.
- Heben Sie das Gerät bei laufendem Motor nie hoch und tragen Sie es dann auch nicht. Wenn Sie das Gerät zum Transport hochheben, achten Sie darauf, daß das Messer nicht mehr läuft.
- Seien Sie beim Hochheben des Gerätes beim Transport äußerst vorsichtig.
- Nehmen Sie das Gerät niemals in Betrieb, wenn es beschädigt ist.

Wartung und Lagerung

- Bewahren Sie das Gerät, wenn Sie es nicht benutzen, an einem trockenen Ort und außer Reichweite von Kindern auf.
- Benutzen Sie das Gerät nicht, wenn irgendwelche Teile defekt sind; werfen Sie alle defekten Teile weg und setzen Sie neue ein, bevor Sie das Gerät benutzen.
- Benutzen Sie zur Reinigung des Gerätes keine Reinigungsmittel oder Reinigungsflüssigkeiten - benutzen Sie einen stumpfen Schaber, um Gras und Schmutz zu entfernen. Trennen Sie das Gerät vor der Reinigung immer von der Netzversorgung.
- Sorgen Sie dafür, daß alle Muttern und Bolzen fest angezogen sind, um sicher zu sein, daß sich das Gerät in gutem Betriebszustand befindet.
- Benutzen Sie nur von Black & Decker empfohlene Ersatzteile und Zubehör.

Die Firma Black & Decker bemüht sich um die ständige Verbesserung ihrer Produkte und behält sich daher das Recht vor, Produktspezifikationen ohne vorherige Ankündigung zu ändern.

Doppellisolierung



Dieses Gerät ist doppelt isoliert. Dies bedeutet, daß alle äußeren Metallteile von der Stromversorgung elektrisch isoliert sind. Dies wird dadurch erzielt, daß sich zwischen den elektrischen und den mechanischen Bauteilen eine zusätzliche Isolierschicht befindet. Doppellisolierung bedeutet größere elektrische Sicherheit und macht die Erdung der Maschine überflüssig.

Steckdosen im Außenbereich müssen mit Fehlerstrom-Schutzschaltern (FI-Sicherung) ausgestattet sein Bitte beachten Sie dies vor dem Einsatz Ihres Rasenlüfters - sprechen Sie ggf. mit Ihrem Elektroinstallateur.



Achtung! Eine FI-Sicherung oder andere Stromkreisunterbrecher ersetzen keinesfalls die vorher beschriebenen Sicherheitshinweise zur Bedienung des Gerätes.

Vorteile (Abb. A)

A

Mit diesem Black & Decker Rasenmäher haben Sie ein Qualitätsprodukt gekauft, das die folgenden Vorteile in einem modernen Design vereinigt, um Ihnen bei hoher Sicherheit und Effizienz das Rasenmähen zu erleichtern:

- Abschaltung mit Sicherheitsverschluss, um ungewolltes Starten des Mähers zu vermeiden.
- Eine Bremse für die Schneide zur zusätzlichen Sicherheit. Bremsst die Drehschneide innerhalb von 3 Sekunden, wenn der Schalthebel losgelassen worden ist.
- Große Flügelmuttern am Handgriff ermöglichen einfaches Zusammenbauen und Lagern.
- Die 14fach verstellbare Schnitthöhe bietet die Flexibilität, die Sie zum Bewältigen der meisten Gras- und Rasenflächen benötigen.
- Die Schnitthöhe läßt sich einfach durch Drehen des Höheneinstellknopfes einstellen. Durch Drehen des Knopfes werden die vier Räder gleichzeitig verstellt.
- Der Mäher hat Räder mit vollem 360 Drehbereich. Dies erlaubt maximale Manövrierbarkeit, damit man ganz bis an den Rand des Rasens und um Sträucher usw. herum mähen kann.
- Die Hinterräder können arretiert werden, damit man genau in einer geraden Linie mähen kann.
- Ein widerstandsfähiges und haltbares Plastikoberteil, das nicht rostet und zur Lärm- und Vibrationsdämpfung beiträgt.
- Kraftvoller und effizienter Induktionsmotor, der bei einem niedrigen Lärmpegel und wenig Instandhaltung einen guten Schnitt und Gras-Einsammlung ergibt.
- Ergonomisches Design des Handgriffs für leichtere und bequeme Arbeit.
- Leichtes Leeren des Graskastens.
- Eine Kabelrückhaltung sorgt dafür, daß das Kabel nicht in die Schneidebahn gerät und daß der Stecker nicht durch ungewolltes Ziehen herausgezogen wird.

Inhalt der Verpackung

Die Verpackung enthält:

- 1 Rasenmähergehäuse
- 1 Handgriff (3-teilig)
- 1 Grasfangkorb (2-teilig)
- 1 Kabelzugentlastung
- 1 Schraubenschlüssel/Schaber
- 1 Schraubendreher
- 2 Flügelmuttern
- 2 Unterlegscheiben
- 2 Formscheiben
- 2 Bolzen für oberen Handgriff
- 2 Bolzen für unteren Handgriff
- 5 Schrauben für Grasfangkorb
- 2 Kabelschellen
- 1 Bedienungsanleitung

- Packen Sie sorgfältig alle Teile aus.

Montieren des Handgriffs

- Stellen Sie den Rasenmäher mit seinen Rädern auf eine feste, ebene Fläche.
- B1**
- Setzen Sie gemäß Abb. B1 die Handgriffstangen so in die Öffnungen ein, daß sie durch die Krümmung oben ausgeweitet werden.
 - Sichern Sie gemäß Abbildung jede Stange mit einem Bolzen und einer Formscheibe. Ziehen Sie den Bolzen mit dem mitgelieferten Schraubenschlüssel sicher an.
- B2**
- Schieben Sie die Kabelzugentlastung auf den U-förmigen Handgriff unterhalb des schwarzen Schalterkastens.
- B3**
- Setzen Sie die U-förmige obere Handgriffstange wie abgebildet auf die Stangen.
- B4**
- Sichern Sie gemäß Abbildung die obere Handgriffstange unter Verwendung der Bolzen, Unterlegscheiben und Flügelmuttern.
 - Sichern Sie die Kabel unter Verwendung der mitgelieferten Kabelschellen am Handgriff.



Ziehen Sie die Flügelmuttern nicht mit einem Werkzeug an.



Zusammenbau des Graskastens (Abb. C)

Der Graskasten kommt in zwei Hälften. Bauen Sie diese wie folgt zusammen:

- C1**
- Richten Sie die zwei Hälften des Grasfangkorbs wie abgebildet miteinander aus.
 - Verschrauben Sie die beiden Hälften mit Hilfe der 5 Schrauben und des mitgelieferten Schraubenziehers.
 - Drücken Sie die Hälften zusammen, bis die Klipps einschnappen.

Den Graskasten am Mäher befestigen:

- C2**
- Heben Sie die gefederte Rückklappe an und setzen den Graskasten über die Einrastung.
 - Lassen Sie nun die Rückklappe los - sie rastet in den Graskasten ein und hält ihn in Stellung.

Den Graskasten vom Mäher entnehmen:

Heben Sie die Rückklappe an, so daß der Graskasten aus der Einrastung gelöst werden kann und auf dem Gras aufsitzt. Lassen Sie nun die Rückklappe langsam herab; nun haben Sie beide Hände frei, um den vollen Graskasten anzuheben.

DEUTSCH



Achtung! Versuchen Sie nicht, den Mäher nur mit einer Hand zu führen - bleiben Sie mit beiden Händen am Gerät.

D3

- Um beim Start des Geräts eine Beschädigung des Rasens zu vermeiden, drücken Sie den Handgriff nach unten, um das Vorderteil des Mähers leicht anzuheben. Dann drücken Sie die Sicherheits-Einschaltsperrung am Schalterkasten und ziehen gleichzeitig den Schalthebel zu sich. Der Motor läuft an. Sie können jetzt den Sperrknopf wieder loslassen und den Rasenmäher in seine normale Arbeitsposition zurückklappen, um mit dem Schneiden zu beginnen. Führen Sie den Rasenmäher mit beiden Händen.



- Verfahren Sie, wie in Abb. D1 (a) gezeigt, mähen Sie von Position 1 zu Position 2, drehen Sie dann rechts herum. Mähen Sie in Richtung Position 3. Fahren Sie bis zum Ende der Schnittfläche, wenden Sie nach links und fahren Sie Richtung Position 4. Arbeiten Sie wie in Abb. D1 (a) dargestellt, d. h. weg vom Kabel. Arbeiten Sie nicht so, wie in Abb. D1 (b) dargestellt, d.h. in Richtung des Kabels. Das kann gefährlich sein, da hierbei sehr leicht das Kabel mit dem Mäher überfahren und beschädigt werden kann.
- Stellen Sie sicher, daß das Kabel nicht zu nahe am Mäher ist, wenn Sie um Hindernisse herum oder den Rand des Rasens mähen.

Hinweis: Der Mäher hat Räder, die sich voll um 360° drehen lassen, um maximale Manövrierbarkeit zuzulassen. Die Hinterräder können in einer Stellung arretiert werden, um ein Mähen in genau gerader Bahn zu ermöglichen; der Vorgang ist wie folgt:

- D4**
- Schieben Sie den Mäher vorwärts bis alle vier Räder sich in die hintere Stellung bewegen.
- D5**
- Ziehen Sie den Verschußhebel auf der linken Seite des Mähers, bis die Ratsche einrastet.
- D6**
- Um die Räder wieder freizugeben, wird der Freigabeknopf nach vorne gedrückt.
- D7**
- Sollte es vorkommen, daß der Hebel zwar voll in die Ratsche einrastet, aber die Hinterräder nicht arretiert werden, lösen Sie den Hebel wieder, lösen die Kabeleinstellung um eine Drehung und

Arbeitshinweise (Abb. D)



Beachten Sie alle Sicherheitshinweise bei Betrieb Ihres Gerätes.

Wir empfehlen die Mähweise, wie sie in Abbildung G dargestellt ist. So erzielen Sie ein sauberes Schnittbild und verringern die Gefahr, das Verlängerungskabel mit dem Mäher zu überfahren.

- D1**
- Legen Sie den größten Teil des Kabels auf den Rasen, nahe der Stelle, an der Sie mit mähen anfangen wollen.

Die Schalterbox Ihres Mähers ist mit einer Kabelzugentlastung ausgestattet. Das Kabel wird folgendermaßen befestigt:

- Das mit einer Steckdose versehene Ende des Kabels mit dem Stecker des Rasenmähers verbinden.

- D2**
- Legen Sie mit Ihrer Verlängerungsschnur eine Schleife nahe an der Kabelrückhaltung.
 - Formen Sie mit dem Kabel kurz hinter der Steckverbindung eine Schlaufe. Ziehen Sie die Schlaufe von außen durch den Schlitz an der Schalterbox, führen Sie sie um den Haken herum und ziehen Sie das Kabel fest. Das Kabel ist nun gesichert.
 - Das Verlängerungskabel fällt nun automatisch vom Mäher weg hinter den Benutzer.



ziehen den Hebel wieder an bis er einrastet. Wiederholen Sie dies, bis die Räder voll in der Stellung arretiert werden.

Ihr Rasenmäher läuft solange Sie den Schalthebel gezogen halten. Sie halten den Mäher an, indem Sie den Schalthebel loslassen.

Wenn Sie die Arbeit mit dem Mäher beendet haben, empfehlen wir, daß Sie ihn säubern, bevor Sie ihn wegstellen. Beachten Sie bitte das Kapitel „Pflege und Wartung“.

Hinweis: Sie erzielen bessere Ergebnisse, wenn Sie Ihren Rasen regelmäßig und nicht bei nassem Wetter mähen.

Wenn Sie beim Mähen feststellen, daß loses Gras unter dem Mäher herausgeschleudert wird, ist der Graskasten wahrscheinlich voll und muß entleert werden.

Überlastungsschutz (nur GF1838)

Der GF1838 ist mit einem internen Überlastungsschutz ausgestattet, der den Motor ausschaltet, wenn das Gerät in zu hohem Gras bei einer niedrigen Schnitthöhe eingesetzt wird oder wenn das Gerät mit Gewalt durch hohes Gras getrieben wird. In diesem Fall deutet der Motorstopp nicht auf einen Defekt des Geräts hin. Lassen Sie den Rasenmäher zehn Minuten lang abkühlen, kippen Sie ihn ein wenig und lassen Sie ihn dann 1 bis 2 Minuten lang auf der Stelle laufen. Wählen Sie eine maximale Schnitthöhe. Schneiden Sie die Rasenfläche zunächst mit maximaler Schnitthöhe und anschließend mit der gewünschten Höhe.

Manövrierbarkeit (Abb. E)

Der Mäher hat voll drehbare Räder und kann daher leicht um Bäume, Pfosten und ähnliche Hindernisse manövriert werden. Außerdem kann man kleine geometrische Flächen, wie etwa zwischen Blumenbeeten, genau mähen.

Um diese Manövrierbarkeit zu aktivieren, drücken Sie den Freigabeknopf nach vorn, um damit die Arretierung der Hinterräder zu lösen.



Wenn Sie mit dem Mäher solche Manöver ausführen, sollten Sie immer die Kabelrückhaltung benutzen, und sicherstellen, daß sich das Kabel nicht auf der beabsichtigten Schnittbahn befindet.

Einstellen der Schnitthöhe (Abb. F)



Warnung! Ziehen Sie den Stecker des Mähers aus der Dose und lassen die Schneide zum Stillstand kommen, bevor Sie die Einstellung verändern: die Schneiden sind scharf.

F1

- Klappen Sie den Hebel aus und halten ihn fest.
- Drehen Sie den Knopf mit Hilfe des Hebels, um die gewünschte Schnitthöhe einzustellen.
- Klappen Sie den Hebel wieder zurück, um den Knopf zu verriegeln.

F2

- Wenn Sie auf dem Rasen Streifen erzeugen möchten, bringen Sie zunächst die Streifenklappe in Stellung und befestigen Sie sie mit den 2 mitgelieferten Schrauben. Stellen Sie dann die Schnitthöhe auf eine tiefe Stellung ein (nur GB).

Hinweis: Bei längerem oder ungleichem Wuchs (insbesondere beim ersten Mähen in der Saison) nehmen Sie am besten erst eine höhere Einstellung und mähen dann noch einmal mit der gewünschten Schnitthöhe.

Pflege des Messerbalkens

Das Stahlmesser ist dazu konzipiert, dem Gras einen sauberen Schnitt zu verleihen. Es schneidet z.T. auch noch in stumpfem oder vergratetem Zustand, muß also nicht messerscharf geschliffen sein. Sollte jedoch das Schnittergebnis unbefriedigend werden, weil das Messer zu stumpf oder beschädigt ist, sollte es ausgetauscht oder zumindest geschliffen werden.

Wir empfehlen, das Messer zu Beginn einer jeden Saison entweder zu schleifen oder zu erneuern.

Ein Ersatzmesser (A6177) erhalten Sie bei Ihrem Black & Decker Händler oder dem Black & Decker Kundendienst.



Achtung! Wenn Sie das Messer austauschen, verwenden Sie ausschließlich das Black & Decker Original Zubehör, das für Ihr Gerät entwickelt wurde. Versuchen Sie nicht, irgendein anderes Messer zu montieren.

Einsetzen neuer Messer (Abb. G)



Achtung! Ziehen Sie den Netzstecker bevor Sie am Schneidwerkzeug der Maschine arbeiten.

G

- Drehen Sie den Rasenmäher auf die Seite, so daß das Messer unter dem Messergehäuse sichtbar ist.
- Decken Sie, zum Schutz Ihrer Hände, die Messer mit einem Tuch ab oder



DEUTSCH

tragen Sie dicke Arbeitshandschuhe. Halten Sie das Messer fest und lösen Sie unter Zuhilfenahme des mitgelieferten Werkzeugs die Mutter von der Motorwelle.

- Das Messer kann nun ausgewechselt und mit Unterlegscheibe und Schraube befestigt werden.

Anmerkung: Entfernen Sie auf keinen Fall das Lüfterrad von der Motorwelle.

Anmerkung: Möglicherweise ist Ihr Mäher mit einer Unterlegscheibe zwischen Messerbolzen und Messer ausgerüstet. Bitte diesen unbedingt nach dem Messerwechsel wieder mit montieren.

Bedienungshinweise

- Über 10cm hohes Gras sollten Sie in zwei Arbeitsgängen schneiden, um ein gutes Schnittergebnis zu erhalten. Im ersten Schnitt mit der größten Schnitthöhe mähen, im zweiten Arbeitsgang die endgültig gewünschte Höhe einstellen.

Wartung und Pflege

Die in diesem Kapitel erwähnten Hinweise beziehen sich auf die allgemeine Pflege und Wartung der Hauptbauteile Ihres Rasenmähers. Spezielle Hinweise zum Messer finden Sie im Abschnitt "Wartung der Messer".



Achtung! Nur einwandfreie Kabel verwenden! Schadhafte Kabel müssen umgehend ersetzt werden. Nehmen Sie selbst keine Reparaturen daran vor.

- Halten Sie Ihren Mäher stets sauber und frei von Grasresten, insbesondere die Unterseite des Plastikoberteils, die Luftschlitze und die Räder.
- Alle Elektrokabel regelmäßig auf Anzeichen von Verschleiß, Abrieb oder andere Beschädigungen überprüfen.
- Wir empfehlen Ihnen, nach jedem Mähvorgang das Gras, das sich an der Unterseite der Messerabdeckung angehäuft hat, mit einer trockenen Bürste zu entfernen.
- Kunststoffteile können mit einem feuchten Tuch gereinigt werden.

Anmerkung: Keine Lösungs- bzw. scharfen Reinigungsmittel verwenden, da diese die Kunststoffteile Ihres Gerätes beschädigen könnten.

Fehlersuche

Die folgende Tabelle soll Ihnen als Orientierungshilfe zur Fehlersuche dienen.



Achtung! Immer Netzstecker ziehen.

Symptom	Mögliche Ursache	Abhilfe
Motor läuft, aber Messer bewegt sich nicht.	Messer eingeklemmt.	Hindernis vom Messer entfernen.
Kein Geräusch und Messer bewegt sich nicht.	Fehlanschluß.	Stromzufuhr überprüfen. Hauptsicherung überprüfen.
Kein Geräusch und Messer bewegt sich nicht.	Nur GF1838 Überlastungsschutz eingeschaltet.	Siehe Abschnitt zum Überlastungsschutz.

Umweltschutz



Black & Decker nimmt Ihre ausgedienten Black & Decker Geräte gern zurück und sorgt für eine umweltfreundliche Entsorgung. Diese Dienstleistung ist für Sie kostenlos. Um diese Dienstleistung in Anspruch zu nehmen, geben Sie das Gerät bitte bei einer autorisierten Reparaturwerkstatt ab, die für uns die Einsammlung übernimmt.

Die Adresse des zuständigen Büros von Black & Decker finden Sie in dieser Anleitung, darüber läßt sich die nächstgelegene Vertragswerkstatt ermitteln. Außerdem ist eine Liste der Vertragswerkstätten und aller Kundendienststellen von Black & Decker sowie der zuständigen Ansprechpartner im Internet zu finden unter: www.2helpU.com.

Garantie

Black & Decker vertraut auf die Qualität der eigenen Geräte und bietet dem Käufer eine außergewöhnliche Garantie. Diese Garantiezusage versteht sich unbeschadet der gesetzlichen Gewährleistungsansprüche und schränkt diese keinesfalls ein. Sie gilt in sämtlichen Mitgliedsstaaten der Europäischen Union und der Europäischen Freihandelszone EFTA.

Tritt innerhalb von 24 Monaten ab Kaufdatum an einem Gerät von Black & Decker ein auf Material- oder Verarbeitungsfehler zurückzuführender Mangel auf, garantiert Black & Decker den Austausch defekter Teile, die Reparatur von Geräten mit üblichem Verschleiß bzw. den Austausch eines mangelhaften Geräts, ohne den Kunden dabei mehr als unbedingt nötig in Anspruch zu nehmen, allerdings vorbehaltlich folgender Ausnahmen:



DEUTSCH

- wenn das Gerät gewerblich, beruflich oder im Verleihgeschäft benutzt wurde;
- wenn das Gerät mißbräuchlich verwendet oder mit mangelnder Sorgfalt behandelt wurde;
- wenn das Gerät durch irgendwelche Fremdeinwirkung beschädigt wurde;
- wenn ein unbefugter Reparaturversuch durch anderes Personal als das einer Vertragswerkstatt oder des Black & Decker-Kundendienstes unternommen wurde.

Zur Inanspruchnahme dieser Garantie ist dem Verkäufer bzw. der Vertragswerkstatt ein Kaufnachweis vorzulegen. Die Adresse des zuständigen Büros von Black & Decker steht in dieser Anleitung, darüber läßt sich die nächstgelegene Vertragswerkstatt ermitteln. Außerdem ist eine Liste der Vertragswerkstätten und aller Kundendienststellen von Black & Decker sowie der zuständigen Ansprechpartner im Internet zu finden unter: **www.2helpU.com**.

Weitere Gartengeräte

Black & Decker bietet ein großes Sortiment an Gartengeräten an, die die Gartenarbeit erheblich erleichtern. Für nähere Informationen zu den folgenden Geräten wenden Sie sich bitte an den Black & Decker Kundendienst (Adresse hinten in dieser Anleitung) oder an Ihren Händler.

Rasentrimmer	Kettensägen
Akku-Strauchscheren	Akku-Grasscheren
Heckenscheren	Rasenmäher
Rasenlüfter	Laubsauger
Häcksler	

Nicht alle Produkte sind in allen Ländern erhältlich.

EG Konformitätserklärung GF834/GF934/GF1034/GF1234/GF1438/ GF1838

Black & Decker erklärt hiermit, daß diese Geräte entsprechend folgenden Richtlinien und Normen konzipiert wurden:

98/37/EWG, 89/336/EWG, 73/23/EWG,
EN 55014, EN 60335, EN 61000,
2000/14/EWG, Rasenmäher, L ≤ 50 cm,
Anhang VIII, No. 0086

B.S.I., HP2 4SQ, United Kingdom

Höhe des Schalldrucks, gemessen nach
2000/14/EWG:

L_{pA}	(Schalldruck)	dB(A)	79
L_{WA}	(Schalleistung)	dB(A)	93
L_{WA}	(garantiert)	dB(A)	96

Gewichteter Effektivwert der Beschleunigung
nach EN 50144: < 2,5 m/s²

Brian Cooke

Director of Engineering
Black & Decker Ltd, Spennymoor, County Durham
DL16 6JG, United Kingdom
1-12-2001



Tondeuse rotative

Notice d'utilisation

Félicitations!

Nous vous félicitons d'avoir porté votre choix sur une tondeuse Black & Decker à fil.

Ce manuel d'utilisation contient des instructions importantes sur le fonctionnement et l'entretien de toutes les tondeuses de la série Black & Decker 4 x 4 à fil.

Apprenez à connaître votre machine



Lisez ce manuel avec soin, en prenant note de toutes les précautions de sécurité recommandées avant, pendant et après l'utilisation de votre machine, et maintenez votre machine en bon état de marche.

Familiarisez-vous avec les commandes de votre machine avant de tenter de la faire marcher, mais avant tout, soyez sûr de savoir comment arrêter votre machine rapidement en cas d'urgence.

Gardez ce manuel et toute autre brochure fournie avec votre machine pour pouvoir vous y référer ultérieurement.

Précautions de sécurité

Formation

- Les enfants ou les personnes qui ne sont pas familières avec ce type de machine ou qui n'ont pas lu ce manuel ne doivent pas être autorisées à utiliser la machine.



N'autorisez aucun enfant, animal ou autre adulte à proximité de la machine quand celle-ci est en service. Veillez à ce qu'ils se tiennent à au moins 6 mètres de la zone de travail.

- Sachez que l'opérateur/l'utilisateur est responsable des accidents ou dangers subis par des tiers ou infligés à des biens.
- Votre machine est conçue pour être utilisée sur courant alternatif (secteur) uniquement. Ne tentez pas de l'utiliser sur un autre type de courant.
- Branchez votre machine sur une prise de courant, et non pas sur une douille d'éclairage.



- Mettez la tondeuse à l'arrêt et débranchez la prise de l'alimentation électrique avant d'ajuster ou de nettoyer la tondeuse, ou si le cordon est emmêlé ou endommagé. Ne portez jamais votre tondeuse par la prise de courant et ne secouez pas le

câble afin de le débrancher des connecteurs. Tenez le câble à l'écart des sources de chaleur, des huiles ou des bords tranchants. Vérifiez l'état de votre câble avant usage et n'utilisez pas la tondeuse s'il est endommagé.

Préparation

- Pour protéger vos pieds veillez à toujours porter des bottes ou des chaussures solides. L'herbe qui vient d'être coupée est humide et glissante.
- Utilisez un respirateur s'il y a de la poussière.
- N'utilisez pas la machine à pieds nus ou en ne portant que des sandales. Protégez vos jambes. Tout débris laissé sur la pelouse ou la zone de travail peut être ramassé et éjecté par la lame.
- Gardez toujours le câble électrique à l'écart de la machine et veillez à toujours savoir où il se trouve. Le câble d'alimentation doit être inspecté régulièrement pour détecter tout signe éventuel de détérioration ou d'usure, et il ne doit être utilisé que s'il est en bon état.



- Veillez à ce que votre machine soit toujours en bon état de marche.
- Avant d'utiliser votre machine, débranchez-la de l'alimentation électrique et inspectez visuellement la lame et les pièces rotatives pour détecter des dommages. Des lames ou des boulons usés représentent des dangers importants (vérifiez souvent tous les écrous et les boulons).
- Vérifiez toujours qu'il n'y a pas de bâtons, pierres, morceaux de fil de fer ou autres débris sur votre pelouse. Ces débris peuvent être dangereux ou endommager votre machine, s'ils entrent en contact avec elle, ou peuvent être éjectés par la lame de la tondeuse.

Fonctionnement

- Lorsque vous activez la poignée vers le bas ou le côté pour la mise en marche (tondeuses), ne l'activez pas plus que nécessaire. Veillez toujours à ce que vos mains soient bien en place et à ce que vos pieds soient à l'écart de la lame avant de remettre la machine au sol.



La machine continuera à tourner pendant un court instant après avoir lâché le levier commutateur.



Laissez toujours la machine s'arrêter toute seule.

- Lâchez le levier commutateur pour arrêter la machine et débranchez-la du courant de secteur:
 - Lorsque vous laissez la machine sans surveillance.
 - Avant d'inspecter, de nettoyer, de régler ou de travailler sur la machine.
 - Avant de dégager une obstruction.
 - Si la machine se met à vibrer de façon anormale (vérifiez immédiatement).
 - Après avoir heurté un corps étranger. Inspectez la machine pour détecter la présence éventuelle de détériorations et réparez-la le cas échéant.
- N'utilisez jamais la machine lorsqu'elle est couchée sur le côté et n'essayez pas d'arrêter la lame. Laissez-la toujours s'arrêter seule.
- Ne mettez pas les mains ou les pieds à proximité des pièces rotatives.
- Tenez-vous toujours à l'écart des prises d'air.
- N'utilisez pas votre machine sous la pluie ou dans des conditions humides et ne la laissez pas se mouiller. Evitez d'utiliser la machine dans l'herbe humide, dans la mesure du possible.
- N'utilisez votre machine que lorsqu'il fait jour ou sous un bon éclairage artificiel.
- Ne tirez pas la tondeuse vers vous et ne reculez pas pendant la tonte.
- Ne tirez pas la machine vers vous et ne marchez pas à reculons lorsque vous utilisez la machine.
- Ne traversez pas les allées ou routes couvertes de gravillons alors que les lames tournent.
- Veillez à être toujours bien équilibré, surtout sur les pentes.
- Sur les pentes, utilisez toujours la machine de façon latérale, jamais de haut en bas. Faites très attention lorsque vous changez de sens sur une pente.
- Ne tondez pas les pentes excessivement inclinées et portez toujours des chaussures antidérapantes.
- Utilisez la machine en marchant, jamais en courant. Ne forcez pas la machine.
- Ne soulevez ou portez jamais la machine alors que le moteur est en marche. Veillez à ce que la lame ait cessé de tourner lorsque vous soulevez la machine pour la transporter d'un endroit à un autre.



- Lorsque vous transportez la machine, faites très attention en la soulevant.
- N'utilisez jamais la machine si les gardes de protection sont endommagés.

Entretien et rangement

- Rangez votre machine dans un endroit sec quand elle n'est pas utilisée, de préférence hors de portée des enfants.
- Ne faites pas fonctionner votre machine si une pièce est défectueuse. Remplacer toute pièce défectueuse par une nouvelle pièce avant utilisation.
- N'utilisez pas de dissolvants ou de liquides de nettoyage pour nettoyer votre machine. Utilisez un grattoir émoussé pour dégager l'herbe et les saletés de la lame. Débranchez toujours de l'alimentation électrique avant de nettoyer.
- Maintenez tous les écrous, boulons et vis bien serrés pour veiller au bon fonctionnement de votre machine.
- N'utilisez que les pièces de rechange et accessoires recommandés par Black & Decker.

La politique de Black & Decker est celle de l'amélioration continue de ses produits et ainsi Black & Decker se réserve le droit de changer la spécification des produits sans avis préalable.

Double isolation



Votre machine comporte une double isolation. Ceci veut dire que toutes les pièces métalliques externes sont isolées électriquement du courant. Ceci est obtenu en plaçant une barrière d'isolation supplémentaire entre les pièces électriques et mécaniques. Une double isolation assure une meilleure sécurité électrique et évite la nécessité d'avoir à relier la machine à la terre.

Sécurité électrique



Votre machine devrait toujours être éteinte avant de débrancher tout raccord, prise et douille, ou toute rallonge.

Note: N'installez pas vous-même de rallonge directement sur la machine. Portez votre machine au centre de service Black & Decker le plus proche.

Une plus grande sécurité peut être obtenue en demandant à un électricien qualifié d'installer un coupe-circuit à haute sensibilité (30mA) dans le câblage électrique de la maison.

Si vous ne disposez pas d'un tel système de court-circuit, ou si vous ne désirez pas en installer un, pour une meilleure sécurité, nous



FRANÇAIS

recommandons fortement que le courant électrique de votre machine soit fourni par un dispositif de courant résiduel à haute sensibilité (D.C.R). Le D.C.R est conçu pour fournir un degré élevé de protection personnelle contre les courants électriques nocifs produits en cas de défaut.



Attention! L'utilisation d'un D.C.R ou d'un autre coupe-circuit ne libère pas l'utilisateur de la machine des précautions de sécurité ni des pratiques de travail indiquées dans le présent manuel.

Caractéristiques (Fig. A)

A Votre tondeuse Black & Decker est un appareil qui combine un degré élevé de qualité et d'innovation. Les fonctions indiquées ci-dessous vous permettront de tondre votre pelouse de manière sûre, efficace et facile.

- Interrupteur de sécurité pour empêcher le démarrage accidentel de votre tondeuse.
- Frein de lame pour une sécurité supplémentaire. Arrête la rotation des lames dans un délai de 3 secondes à compter du moment où le levier du boîtier de commutation a été relâché.
- Grande poignée munie d'écrous à oreilles pour un montage et un rangement faciles.
- 14 hauteurs des positions de coupe qui permet de traiter en souplesse la plupart des conditions de l'herbe.
- Vous pouvez facilement régler la hauteur de coupe en plaçant le bouton de réglage de coupe sur la mesure souhaitée. Cette rotation du bouton permet de régler les quatre roues en même temps.
- Votre tondeuse a des roues qui pivotent sur 360° pour une manœuvrabilité maximale vous permettant de couper jusqu'au bord de la pelouse ainsi qu'autour des obstacles éventuels.
- Les roues arrière peuvent être bloquées pour permettre une coupe en ligne droite parfaite.
- Capot résistant en plastique durable qui ne rouille pas et qui contribue au bas niveau de bruit et de vibration.
- Moteur à induction puissant et efficace, pour une coupe et une mise en sac efficaces de l'herbe coupée, dans toutes les conditions raisonnables, faible niveau sonore et minimum d'entretien nécessaire.
- Retrait facile du collecteur d'herbe.
- Dispositif de retenue du câble pour maintenir le câble hors de votre passage et éviter que la prise ne soit accidentellement débranchée.

Contenu de la boîte

La boîte contient :

- 1 Corps de la tondeuse
- 1 Poignée (3 parties)
- 1 Bac de ramassage (2 parties)
- 1 Goupille de retenue de fil
- 1 Clé à ergot / grattoir
- 1 Tournevis
- 2 Écrou papillon
- 2 Rondelles
- 2 Rondelles profilées
- 2 Boulons pour la poignée supérieure
- 2 Boulons pour la poignée inférieure
- 5 Vis pour le bac de ramassage
- 2 Attache-câble
- 1 Manuel d'instructions

- Déballez soigneusement toutes les pièces.

Assemblage de la poignée

- Placez la tondeuse sur une surface ferme et de niveau.
- B1** • Insérez les barres de la poignée dans les orifices comme illustré dans la fig. B1, de telle sorte que la courbe leur donne une forme plus large en haut.
- Fixez solidement chacune des barres à l'aide d'un boulon et d'une rondelle profilée comme indiqué. Serrez fermement le boulon à l'aide de la clé fournie.
- B2** • Faites glisser la goupille de retenue du câble sur la poignée en forme de U au-dessous du coffret de distribution noir.
- B3** • Placez la barre de la poignée supérieure en forme de U sur les barres comme illustré.
- B4** • Fixez la barre de la poignée supérieure à l'aide des boulons, des rondelles et des écrous-papillon comme illustré.
- Fixez les câbles à la poignée à l'aide des attache-câble fournis.



N'utilisez pas d'outils pour serrer les écrous-papillons.



Montage du collecteur d'herbe (Fig. C)

Le collecteur d'herbe est fourni en deux parties. Pour l'assembler, procédez comme suit :

- C1**
- Aligned les deux moitiés du bac de ramassage comme indiqué.
 - Assemblez les deux parties à l'aide des 5 vis, utilisez pour ce faire le tournevis fourni.
 - Poussez les deux moitiés ensemble pour enclencher les fixations.

Installation du collecteur d'herbe sur la tondeuse :

- C2**
- Soulevez le volet arrière à ressort et placez le collecteur d'herbe sur le rebord de fixation.
 - Le volet arrière peut alors être relâché pour bloquer le collecteur d'herbe en place.

Démontage du collecteur d'herbe :

Le collecteur d'herbe, lorsqu'il est plein, peut être retiré en soulevant le volet, en libérant le collecteur de ses fixations et en le posant sur la pelouse. Abaissez doucement le volet afin de libérer vos mains pour soulever le collecteur plein.

- D3**
- Inclinez la poignée vers le bas de manière à légèrement soulever l'avant de votre tondeuse et à limiter le risque de détérioration de la pelouse au moment du démarrage. Appuyez et maintenez une pression sur le bouton de verrouillage de sécurité du commutateur et tirez le levier de démarrage vers vous. Votre tondeuse se mettra en marche et vous pourrez relâcher le bouton de verrouillage de sécurité. Abaissez votre tondeuse à la position de coupe qui convient et commencez à tondre, en guidant la tondeuse des deux mains.



- Suivez l'itinéraire de tonte illustré sur la figure D1(a) : commencez à la position 1 et dirigez-vous vers la position 2. Une fois à la position 2, tournez à droite et continuez jusqu'à la position 3. Continuez jusqu'à la fin de la surface à tondre, tournez à gauche et poursuivez jusqu'à la position 4. Continuez ainsi, comme illustré sur la figure D1(a), en veillant à toujours vous tenir à l'écart du câble. Ne procédez pas comme indiqué sur la Fig. D1(b).

- Vérifiez que le câble est à l'écart de la tondeuse lorsque vous manœuvrez autour d'obstacles ou que vous coupez le bord de la pelouse.

Note : Votre tondeuse a des roues qui pivotent sur 360° pour une manœuvrabilité maximale. Les roues arrière peuvent être bloquées pour permettre une coupe en ligne droite parfaite, comme suit :

- D4**
- Poussez la tondeuse vers l'avant jusqu'à ce que toutes les roues tournent vers l'arrière de la tondeuse.
- D5**
- Tirez le levier de blocage du côté gauche de la tondeuse jusqu'à ce que la crémaillère s'engage.
- D6**
- Pour débloquer les roues, poussez le bouton de dégagement vers l'avant.
- D7**
- Si le levier s'engage totalement sur la crémaillère mais que les roues arrière ne se bloquent pas en place, relâchez le levier, dévissez l'ajustement du câble d'un tour et engagez à nouveau le levier et la crémaillère. Recommencez jusqu'à ce que les roues se bloquent fermement en place.

Votre tondeuse continuera de fonctionner pendant que vous tirez sur le levier du commutateur. Pour arrêter votre tondeuse, relâchez le levier du commutateur.

Lorsque vous avez terminé d'utiliser votre tondeuse, nous vous recommandons de nettoyer tous les débris qui s'y sont

Comment utiliser votre tondeuse (Fig. D)



Respectez scrupuleusement les instructions de sécurité.

Nous vous recommandons d'utiliser la méthode afin d'obtenir une meilleure performance de tonte.

- D1**
- Placez la plus grande partie du câble d'alimentation sur la pelouse, à proximité du point de départ.

Pour fixer le câble au dispositif de retenue, procédez comme suit :

- Tenez le manche avec les deux mains et tenez la portion supérieure de la rallonge avec la main qui ne presse pas le levier commutateur.

- D2**
- Formez une boucle sur le câble de rallonge, à proximité du dispositif de retenue du câble.
 - Fixez la boucle au crochet et tendez le câble. Celui-ci sera maintenant bloqué.
 - Le câble doit alors tomber vers l'arrière de la tondeuse, prêt à l'emploi.



Attention! N'utilisez pas votre tondeuse en ne tenant le guidon qu'à une main.



FRANÇAIS

accumulés avant de la ranger. Voir la section «Soin et entretien».

Note : Pour obtenir les meilleurs résultats possibles, coupez votre pelouse ou votre gazon à intervalles réguliers, mais pas si l'herbe est mouillée.

Si de l'herbe s'éparpille sur la pelouse depuis le dessous de votre tondeuse, le collecteur d'herbe est probablement plein et doit être vidé.

Protection contre les surcharges (Modèle GF1838 uniquement)

Le modèle GF1838 est équipé d'une protection interne contre les surcharges qui mettra le moteur à l'arrêt si la tondeuse est utilisée pour couper des herbes excessivement longues à une faible hauteur de coupe, ou si elle est entraînée de force dans de longues herbes. Si le moteur s'arrête dans ces circonstances, ceci n'est pas indicatif d'une panne. Laissez la tondeuse refroidir pendant 10 minutes et inclinez-la ensuite légèrement avant de la mettre en marche sans la déplacer pendant 1 à 2 minutes. La hauteur de coupe doit être réglée au maximum et une fois l'herbe coupée à cette hauteur, elle peut être ajustée au niveau voulu.

Manœuvrabilité (Fig. E)

Les roues de votre tondeuse sont totalement rotatives et peuvent par conséquent être manœuvrées autour de troncs d'arbres et d'autres objets. Elles vous permettent également de couper des contours particuliers avec précision, par exemples les parterres de fleurs.

Pour une manœuvrabilité maximale, relâchez le mécanisme de blocage des roues arrière en poussant le bouton de dégagement vers l'avant.



Lorsque vous manœuvrez votre tondeuse, utilisez toujours le dispositif de retenue du câble et vérifiez que le câble ne soit pas sur votre passage.

Réglage de la hauteur de coupe (Fig. F)



Attention ! Débranchez la tondeuse du courant de secteur avant d'apporter tout ajustement éventuel et attendez que la lame arrête de tourner : les lames de coupe sont tranchantes.

F1

- Tirez sur le levier vers l'extérieur et retenez-le dans cette position.
- À l'aide du levier, faites tourner le bouton pour fixer la hauteur de coupe souhaitée.
- Remettez le levier en place pour bloquer le bouton.

F2

- Pour obtenir un effet de coupe zébré, faites tout d'abord glisser le volet de zébrage en place et fixez-le à l'aide des deux vis fournies, puis ajustez la hauteur de coupe à la position basse (Royaume-Uni uniquement).

Note : Pour les pelouses plus longues ou de taille inégale (particulièrement la première coupe de la saison), utilisez un réglage plus haut pour commencer et faites une deuxième coupe à la hauteur voulue.

Entretien des lames

La lame en acier est conçue pour donner un joli fini dans une herbe longue ou grossière. La lame continuera à couper même quand elle sera émoussée ou ébardée; il n'est pas nécessaire qu'elle soit aussi tranchante qu'un rasoir.

Toutefois, si à cause de dommages ou de l'usure les performances de coupe diminuent, la tondeuse nécessitera l'installation d'une nouvelle lame ou au moins un affûtage.

Nous recommandons que la lame d'acier soit aiguisée ou qu'une nouvelle lame soit installée en début de chaque saison.

De nouvelles lames sont disponibles auprès des distributeurs ou centres agréés de réparation de Black & Decker.



Attention! Quand vous installez une nouvelle lame utilisez uniquement les pièces de rechange Black & Decker, spécifiques à votre machine. N'essayez pas de monter d'autres lames.

Installer de nouvelles lames (Fig. G)



Observez tous les avertissements quand vous utilisez votre machine.

Attention! Débranchez votre machine de l'alimentation électrique avant de changer une lame en acier.

G

- Tournez votre machine sur le côté de telle façon que le carter protecteur de la lame soit exposé.
- En utilisant un bout de tissu placé sur la lame ou des gants épais pour vous protéger les mains, saisissez la lame, desserrez et retirez l'écrou de l'axe du moteur à l'aide de la clé à écrou fournie.
- La lame peut maintenant être remise en place avant de remonter la rondelle et le boulon.



Note: Certaines machines sont montées avec une rondelle entre l'écrou de la lame et la lame; cette rondelle doit être remise à chaque fois.

Remarque: Ne démontez jamais la turbine.

Conseils d'utilisation

- Sur une herbe haute (au dessus de 10 cm), tondre deux fois afin d'obtenir un fini impeccable. Nous recommandons que la première tonte soit effectuée avec une lame réglée à la hauteur de coupe maximale et que la seconde tonte soit effectuée avec une lame sur position moyenne. La tonte de votre pelouse en sera facilitée et le rendu sera bien meilleur.

Conseils d'entretien

Les conseils donnés dans cette section concernent les soins et la maintenance générale de la caisse principale de votre machine. Les conseils concernant les lames sont donnés dans "Entretien des lames".



Attention! N'utilisez pas une rallonge qui comporte des signes de dommages. Installez un nouveau câble complet - ne faites aucune réparation permanente ou temporaire.

- Maintenez toujours votre tondeuse propre et libre d'herbe, surtout le dessous du capot de coupe, les prises d'air et les roues.
- Vérifiez toutes les rallonges à intervalles réguliers, en cherchant les signes d'usure, d'abrasion ou autre.
- Après chaque session de coupe, nous recommandons de dégager l'agglomération de débris sur le dessous du couvercle de la lame en utilisant un grattoir émoussé.

Attention: N'utilisez pas de solvants ou de liquides nettoyants car ceux-ci pourraient endommager les pièces plastiques de votre machine. Nettoyez toutes les pièces en plastique avec un chiffon humide.

Localisation des pannes

Si votre machine ne fonctionne pas correctement, utilisez le tableau suivant pour situer le problème.



Attention! Débranchez toujours votre machine de tout point électrique avant de procéder à toute inspection.

Symptômes	Cause possible	Solutions
Le moteur ronfle mais la lame ne bouge pas.	Lame coincée.	Débranchez de tout point électrique.

Pas de bruit et la lame ne bouge pas.	Le moteur est surchargé par une coupe trop forte.	Dégagez l'obstruction de la lame. Débranchez de tout point électrique. Branchez votre machine sur une prise électrique différente (compatible). Installez un nouveau fusible. Resserrez et vérifiez tous les raccords électriques dans les rallonges.
Absence de bruit et lame immobile.	GF1838 uniquement les surcharges activée.	Voir la section sur la protection contre les surcharges.

Protection de l'environnement



Black & Decker fournit un dispositif permettant de recycler les produits Black & Decker lorsqu'ils ont atteint la fin de leur cycle de vie. Ce service est gratuit. Pour pouvoir profiter de ce service, veuillez retourner votre produit à un réparateur agréé qui se chargera de le collecter pour nous.

Pour connaître l'adresse du réparateur agréé le plus proche de chez vous, contactez le bureau Black & Decker à l'adresse indiquée dans ce manuel. Vous pourrez aussi trouver une liste des réparateurs agréés de Black & Decker et de plus amples détails sur notre service après-vente sur le site Internet à l'adresse suivante :

www.2helpU.com

Garantie

Black & Decker est confiant dans la qualité de ses produits et vous offre une garantie très étendue. Ce certificat de garantie est un document supplémentaire et ne peut en aucun cas se substituer à vos droits légaux. La garantie est valable sur tout le territoire des Etats Membres de l'Union Européenne et de la Zone de Libre Echange Européenne.



FRANÇAIS

Si un produit Black & Decker s'avère défectueux en raison de matériaux en mauvaises conditions, d'une erreur humaine, ou d'un manque de conformité dans les 24 mois suivant la date d'achat, Black & Decker garantit le remplacement des pièces défectueuses, la réparation des produits usés ou cassés ou remplace ces produits à la convenance du client, sauf dans les circonstances suivantes :

- Le produit a été utilisé dans un but commercial, professionnel, ou a été loué.
- Le produit a été mal utilisé ou avec négligence.
- Le produit a subi des dommages à cause d'objets étrangers, de substances ou à cause d'accidents.
- Des réparations ont été tentées par des techniciens ne faisant pas partie du service technique de Black & Decker.

Pour avoir recours à la garantie, il est nécessaire de fournir une preuve d'achat au vendeur ou à un réparateur agréé. Pour connaître l'adresse du réparateur agréé le plus proche de chez vous, contactez le bureau Black & Decker à l'adresse indiquée dans ce manuel. Vous pourrez aussi trouver une liste des réparateurs agréés de Black & Decker et de plus amples détails sur notre service après-vente sur le site Internet à l'adresse suivante : www.2helpU.com.

Autres outils de jardinage

Black & Decker propose une gamme complète d'outils de jardinage facilitant l'entretien du jardin. Si vous souhaitez obtenir de plus amples renseignements sur les produits suivants, veuillez contacter notre Centre de Service et d'Information (voir la page d'adresse à la fin de ce manuel) ou vous adresser à votre revendeur Black & Decker le plus proche.

Tronçonneuses

Cisaille à gazon sans fil

Coupes bordures

Tailles-haies à fil ou sans fil

Tondeuses

Aspirateur / souffleur / broyeur

Broyeurs

Aérateur Démousseur

Tous les produits ne sont pas disponibles dans tous les pays.

Déclaration de conformité CE

GF834/GF934/GF1034/GF1234/GF1438/GF1838

Black & Decker déclare que ces outils sont conformes aux normes:

98/37/CEE, 89/336/CEE, 73/23/CEE,
EN 55014, EN 60335, EN 61000,
2000/14/CEE, tondeuse, L ≤ 50 cm, Annexe VIII,
No. 0086

B.S.I., HP2 4SQ, Royaume Uni

Niveau de pression acoustique, mesuré suivant la norme 2000/14/CEE:

L_{pA}	(pression acoustique)	dB(A)	79
L_{WA}	(puissance acoustique)	dB(A)	93
L_{WA}	(garanti)	dB(A)	96

Niveau de vibration main/bras selon la norme
EN 50144: < 2,5 m/s²

Brian Cooke

Directeur du Développement
Spennymoor, County Durham DL16 6JG,
Royaume-Uni
1-12-2001

Cirkelmaaier

Gebruiksaanwijzing

Gefeliciteerd!

Met de aankoop van uw Black & Decker cirkelmaaier met snoer.

Deze handleiding bevat instructies voor het gebruik en onderhoud van de Black & Decker 4x4 reeks maaiers met snoer.

Ken uw machine



Lees deze handleiding aandachtig door. Neem alle voorgeschreven veiligheidsmaatregelen in acht, voor, tijdens en na het gebruik van uw machine, en houd uw machine gebruiksklaar.



Maak uzelf vertrouwd met de bediening van uw machine voordat u haar gaat gebruiken, maar zorg er in de eerste plaats voor dat u weet hoe u de machine kunt stopzetten in geval van nood.

Bewaar deze handleiding en alle andere papieren die u bij de machine kreeg, voor raadpleging in de toekomst.

Veiligheidsinstructies

Træning

- Laat de machine nooit gebruiken door kinderen of personen die niet vertrouwd zijn met dit soort machine of deze handleiding niet gelezen hebben.



Houd dieren, kinderen of andere personen uit de buurt van de machine wanneer u deze gebruikt – Laat ze minstens 6 meter uit de buurt van het werkgebied blijven.

- Onthoud dat de gebruiker van de machine verantwoordelijk is voor ongevallen of gevaren die andere mensen of hun eigendom treffen.
- Uw machine is ontworpen om te worden aangesloten op wisselstroom (lichtnet) – gebruik geen enkele andere energiebron.
- Sluit uw machine aan op een stopcontact – nooit op een verlichtingsstopcontact.
- U dient de machine uit te schakelen en de stekker uit het stopcontact te halen als u de machine wilt afstellen of reinigen, of als het snoer verstrikt of beschadigd is. Til de maaimachine nooit aan het snoer op en trek nooit aan het snoer om de aansluitingen uit elkaar te halen. Houd het

30

snoer uit de buurt van warmtebronnen, olie en scherpe randen. Vóór gebruik dient u te controleren of het snoer nog in orde is. Indien het beschadigd is, dient u het niet te gebruiken.

Vorbereiding

- Draag altijd stevige schoenen of laarzen om uw voeten te beschermen – vers gesnoeid gras is vochtig en glad.
- Draag een gezichtsmasker als er veel stof is.
- Draag oorbescherming als het geluid van de machine niet draaglijk is tijdens het gebruik.
- Gebruik uw machine niet blootsvoets of in sandalen.
- Draag een lange broek om uw benen te beschermen – afval op het grasveld of op uw snoeipad kan opgepikt en weer omhooggeworpen worden door de messen.



- Houd het netsnoer altijd uit de buurt van de messen – Houd de positie ervan altijd in de gaten. Het netsnoer moet regelmatig geïnspecteerd worden op schade of ouderdomsverschijnselen, en mag alleen in een goede conditie gebruikt worden.
- Ga steeds na of de machine in veilige conditie is.



- Haal de stekker uit het stopcontact alvorens de machine te gebruiken en controleer of de messen, de moer van de messen en de bevestiging ervan niet versleten of beschadigd zijn. Een versleten of beschadigd mes houdt een groot risico in en moet dan ook vervangen worden. Controleer tevens of de moer goed is bevestigd.
- Controleer steeds of er geen takken, stenen, draad of ander afval op uw grasveld of uw snoeipad liggen. Bij contact met dergelijk afval kunt u gevaar lopen of uw machine beschadigen. Het afval kan steeds weer omhooggeworpen worden door de messen.

Bediening

- Duw bij het starten het handvat niet verder naar beneden of naar opzij dan nodig. Let er steeds op dat beide handen in de bedieningspositie zijn en dat uw voeten goed uit de buurt van de



NEDERLANDS

messen staan voordat u de machine terug op de grond zet.



De machine zal nog even verder lopen wanneer u de schakelhendel loslaat. Laat de machine steeds uit zichzelf tot stilstand komen.

- Laat de schakelhendel los om de machine te stoppen en verwijder de stekker uit het stopcontact:
 - Als u de machine onbemand laat.
 - Voordat u de machine controleert, reinigt, aanpast of onderhoudt.
 - Voordat u een verstopping vrijmaakt.
 - Als de machine abnormaal begint te trillen (controleer onmiddellijk).
 - Nadat een vreemd object geraakt werd. Controleer de machine onmiddellijk op schade en herstel indien nodig.
- Laat de machine nooit lopen wanneer zij op haar zijkant ligt. Laat de messen steeds uit zichzelf tot stilstand komen - probeer ze nooit manueel stil te leggen.
- Steek voeten of handen nooit onder de roterende onderdelen.
- Blijf steeds uit de buurt van openingen waaruit afval omhooggeworpen wordt.
- Gebruik uw machine niet wanneer het regent en laat haar nooit nat worden. Vermijd gebruik van de machine op nat gras, indien mogelijk.
- Gebruik uw machine alleen in het daglicht of in een goede kunstmatige verlichting.
- Trek de machine niet naar u toe en loop tijdens het maaien niet naar achteren.
- Trek uw machine niet naar u toe of wandel niet achteruit met uw machine.
- Steek geen grindpaden of wegen over als de messen draaien.
- Let steeds op uw voeten, in het bijzonder op hellingen.
- Maai steeds dwars over de helling, nooit van boven naar beneden. Wees uiterst voorzichtig wanneer u van richting verandert op hellingen.
- Maai steeds dwars over de helling, nooit van boven naar beneden. Wees uiterst voorzichtig wanneer u van richting verandert op hellingen.
- Maai steeds dwars over de helling, nooit van boven naar beneden. Wees uiterst voorzichtig wanneer u van richting verandert op hellingen.
- Maai steeds dwars over de helling, nooit van boven naar beneden. Wees uiterst voorzichtig wanneer u van richting verandert op hellingen.
- Wandelen met de machine. Vermijd lopen. Forceer de machine niet.
- Heff de machine nooit op of draag haar nooit terwijl de motor nog loopt. Controleer of de messen stilliggen voordat u de machine opheft voor transport.



- Let zeer goed op bij het opheffen van de machine voor transport.
- Gebruik de machine nooit als de afdekkap beschadigd is of niet op haar plaats zit.

Onderhoud en opbergen

- Berg uw machine op in een droge ruimte, buiten bereik van kinderen, wanneer u haar niet gebruikt.
- Gebruik uw machine niet als een onderdeel gebreken vertoont. Vervang alle beschadigde onderdelen door nieuwe voordat u de machine gebruikt.
- Gebruik geen oplosmiddelen of reinigingsvloeistoffen om uw machine schoon te maken – gebruik een botte schraper om gras en vuil te verwijderen. Verbreek altijd de aansluiting op de netvoeding voordat u de machine schoonmaakt.
- Controleer alle bouten, moeren en schroeven of ze goed vastzitten.
- Gebruik alleen vervangingsonderdelen en accessoires die door Black & Decker aanbevolen worden.

Bij Black & Decker wordt voortdurend gewerkt aan verbetering van producten. Black & Decker behoudt zich dan ook het recht voor de productspecificaties zonder voorafgaand bericht te wijzigen.

Dubbele isolatie



Uw machine is dubbel geïsoleerd. Dat betekent dat alle externe metalen delen elektrisch geïsoleerd zijn van de netvoeding. Dat wordt bereikt door een extra isolerende laag aan te brengen tussen de elektrische en mechanische onderdelen. Dubbele isolatie betekent meer elektrische veiligheid en maakt het niet nodig om de machine te aarden.

Elektrische veiligheid



Uw machine moet altijd uitgeschakeld zijn van de netvoeding, voordat u de stekker uit het stopcontact trekt of verlengsnoeren losmaakt.

Waarschuwing! Verbind nooit een nulstroomdraad met de aardingspin.

Voor meer veiligheid kan men een bevoegd



elektriciën een automatische stop met hoge gevoeligheid (30mA) in de bedrading van uw huis laten aanbrengen.

Als u niet zo'n automatische stop hebt, of als u hem niet wilt laten installeren, dan raden we u ten zeerste aan om de elektrische stroom, de machine te laten bereiken door een reststroom apparaat (R.S.A) van hoge gevoeligheid, vroeger bekend als een aardlek automatische stop. Het R.S.A. werd ontworpen om meer persoonlijke veiligheid te garanderen, in geval van schadelijke elektrische spanning die kan optreden bij storingen.



Waarschuwing! Bij het gebruik van een R.S.A. of een andere automatische stop, dient u nog steeds de veiligheidsinstructies en het stuk aangaande de veilige bediening die in deze handleiding beschreven worden, in acht te nemen.

Eigenschappen (Fig. A)

A

Door uw aankoop van een Black & Decker grasmaaier beschikt u over een product dat kwaliteit met modern design combineert. De volgende eigenschappen garanderen dat u veilig, doeltreffend en gemakkelijk kunt maaien.

- Veiligheidsschakelaar om te voorkomen dat de grasmaaier per ongeluk opstart.
- Een messenrem voor extra veiligheid. De messenrem stopt de messen binnen 3 seconden wanneer de schakelhendel wordt losgelaten.
- Grote vleugelmoeren op de duwboom voor gemakkelijke montage en opberging.
- 14 maaihoogtes en dus flexibel genoeg voor de meeste graslengtes.
- U kunt de maaihoogte eenvoudig instellen door aan de instelknop te draaien. De vier wielen worden gelijktijdig ingesteld.
- Uw grasmaaier heeft wielen die 360° kunnen draaien voor maximale manoeuvreerbaarheid en waardoor er tot aan de rand van het gazon en om voorwerpen heen kan worden gemaaid.
- De achterwielen zijn vergrendelbaar zodat er in een perfecte rechte lijn kan worden gemaaid.
- Stevige en duurzame kunststofkap die niet roest en lawaai en trillingen tot een minimum beperkt.
- Een krachtige en efficiënte inductiemotor voor effectieve maairesultaten en grasopvang onder alle normale omstandigheden, een laag geluidsniveau en minimum onderhoud.

- Ergonomisch ontworpen naar boven gebogen duwboom voor een comfortabel gebruik en gemakkelijk duwen.
- Gemakkelijke verwijdering van de grasopvangbak.
- De kabelinklemming zorgt ervoor dat de kabel niet in de weg komt te zitten en voorkomt dat er per ongeluk aan de kabelcontactdoos wordt getrokken.

Inhoud van de verpakking

De verpakking bevat:

- 1 Grasmaaierromp
- 1 Handgreep (3 delen)
- 1 Grasopvangbak (2 delen)
- 1 Netsnoerklem
- 1 Steeksleutel/schraper
- 1 Schroevendraaier
- 2 Vleugelmoeren
- 2 Sluitringen
- 2 Speciaal gevormde sluitringen
- 2 Bouten voor de bovenste handgreep
- 2 Bouten voor de onderste handgreep
- 5 Schroeven voor de grasopvangbak
- 2 Kabelklemmen
- 1 Handleiding

- Pak zorgvuldig alle onderdelen uit.

Monteren van de handgreep

- Plaats de grasmaaier met zijn wielen op een stevig en egaal oppervlak.

B1

- Plaats de handgrepen in de openingen zoals afgebeeld in fig. B1, zodanig dat ze naar boven toe breder worden.
- Zet beide handgrepen vast met een bout en een speciaal gevormde sluitring zoals afgebeeld. Zet de bout goed vast met de meegeleverde steeksleutel.

B2

- Schuif de netsnoerklem op de U-vormige handgreep onder de zwarte schakelkast.

B3

- Plaats de U-vormige bovenste deel van handgreep op de stangen zoals afgebeeld.

B4

- Zet de bovenste handgreep vast met behulp van de bouten, sluitringen en vleugelmoeren zoals afgebeeld.
- Zet de kabels vast aan de handgreep met behulp van de meegeleverde kabelklemmen.



Gebruik geen gereedschap om de vleugelmoeren vast te draaien.

NEDERLANDS

Montage van de grasopvangbak (Fig. C)

De grasopvangbak wordt in twee delen geleverd. Ga als volgt te werk om hem in elkaar te zetten:

- C1**
- Leg de twee helften van de grasopvangbak tegen elkaar.
 - Bevestig de twee helften aan elkaar met behulp van de 5 schroeven en de meegeleverde schroevendraaier.
 - Duw de twee helften tegen elkaar zodat de klemmetjes aan elkaar worden gekoppeld.

De grasopvangbak aan de grasmaaier monteren:

- C2**
- De achterklep met veer wordt opgetild en de bovenkant van de grasopvangbak wordt over de bevestiging geplaatst.
 - De achterklep kan nu worden losgelaten om de grasopvangbak op zijn plaats te vergrendelen.

De grasopvangbak van de grasmaaier verwijderen:

De volle grasopvangbak kan van de grasmaaier worden verwijderd door de grasklep op te tillen, de grasopvangbak van de bevestiging los te maken en hem op het gras neer te zetten. De grasklep voorzichtig laten zakken zodat u beide handen vrij hebt om de volle grasopvangbak op te tillen.

- Haal de lus door de gleuf vanaf de tegenovergestelde kant van de klemhaak, leg de lus over de haak en trek de kabel terug door de gleuf. Nu is het snoer opgespannen.
- Het elektrisch snoer van de maaier zou zich nu achter de gebruiker moeten bevinden, klaar voor gebruik.



Opgelet! Probeer uw machine niet met één hand te sturen - gebruik steeds beide handen.

D3

- Druk het handvat naar beneden zodat de voorkant van uw maaimachine enigszins opgelicht wordt. Hiermee voorkomt u de kans op beschadiging van uw grasmat bij het starten. Druk de veiligheidsafsluitknop op de schakeldoos in en houdt deze ingedrukt terwijl u de schakelhendel naar u toetrekt. Uw maaimachine start en u kunt nu de afsluitknop loslaten. Breng de maaimachine omlaag tot de juiste maaipositie en u kunt gaan maaien. Gebruik beide handen om de machine te sturen.



- Maai het gebied zoals aangegeven in fig. D1(a), van positie 1 naar positie 2, en als u daar aankomt draait u naar rechts en gaat u naar positie 3. Ga zo door tot aan het einde van het gebied, draai naar links en ga naar positie 4. Ga verder op dezelfde manier zoals aangegeven in fig. D1(a). Zorg dat u altijd van het snoer af werkt. Ga niet te werk zoals aangegeven op afbeelding D1 (b), naar het snoer toe, want dat is gevaarlijk.

- Zorg ervoor dat de kabel uit de buurt van de grasmaaier wordt gehouden als u om voorwerpen heen maait of tijdens het maaien van randen.

Let op: De wielen van de grasmaaier kunnen 360° draaien voor maximale manoeuvreerbaarheid. De achterwielen kunnen voor een recht en nauwkeurig maairesultaat als volgt worden vergrendeld:

Hoe moet u uw machine gebruiken (Fig. D)



Neem alle toepasselijke veiligheidsvoorschriften in acht terwijl u de machine gebruikt.

Wij raden aan om het gras steeds in eenzelfde richting te maaien. Zo krijgt u met de maaier de beste resultaten en vermindert u het risico dat u op het maaipad door het verlengsnoer wordt gehinderd.

- D1**
- Leg het merendeel van de kabel op het gazon vlakbij het startpunt.
- Om de kabel aan de inklemming vast te maken gaat u als volgt te werk:
- Sluit de verlengkabel met het stekkeruiteinde aan de verbinding van de maaier.
- D2**
- Maak vlakbij de kabelinklemming een lus op de verlengkabel.

D4

- Duw de grasmaaier naar voren totdat alle wielen naar de achterkant van de maaier draaien.

D5

- Trek aan de vergrendelingshendel aan de linkerkant van de grasmaaier totdat de pal aan de hendel wordt gekoppeld.

D6

- Om de wielen te ontgrendelen de knop naar voren duwen.

D7

- In het geval dat de hendel volledig aan de pal is gekoppeld maar de



achterwielen niet vergrendelen, laat dan de hendel los, de kabelafstelling met één draai losschroeven en de hendel en pal opnieuw aan elkaar koppelen. Herhalen totdat de wielen volledig zijn vergrendeld.

De grasmaaier blijft werken terwijl u aan de schakelhendel trekt. Om de grasmaaier stop te zetten de schakelhendel loslaten.

Wanneer u klaar bent met maaien, raden wij u aan om alle afval te verwijderen voordat u hem opbergt. Zie de paragraaf "Zorg en onderhoud".

Let op: Om de beste resultaten te krijgen, moet u het gazon of de grasvlakte regelmatig maaien en het gras niet maaien als het nat is.

Als er tijdens het maaien los gras onder de machine uit komt, dan is de grasopvangner waarschijnlijk vol en moet u deze legen.

Beveiliging tegen overbelasting (uitsluitend voor GF1838)

De GF1838 is uitgerust met een interne beveiliging tegen overbelasting die de motor uitschakelt als de maaimachine gebruikt wordt voor overmatig hoog gras bij een lage maaistand, of als deze in lang gras geforceerd wordt. Als de motor in dergelijke omstandigheden stopt, dan is er niets met uw maaimachine aan de hand. U moet hem 10 minuten af laten koelen, enigszins oplichten en 1 tot 2 minuten laten lopen zonder hem te bewegen. De hoogte van de maaistand moet op maximaal gezet worden en nadat u op deze hoogte gemaaid heeft, kunt u hem instellen op de gewenste stand.

Manoeuvrerebaarheid (Fig. E)

Uw grasmaaier is voorzien van volledig draaiende wielen en kan daarom langs bomen en andere voorwerpen maaien. Het is tevens mogelijk om contourvormen in uw tuin zoals bloemperken nauwkeurig te maaien.

Voor maximale manoeuvrerebaarheid kunt u het vergrendelmechanisme van de achterwielen losmaken door de knop naar voren te duwen.



Gebruik tijdens het manoeuvreren van de grasmaaier altijd de kabelklemming en zorg ervoor dat de kabel uit de buurt wordt gehouden van het maaigebied.

De maaahoogte afstellen (Fig. F)



Waarschuwing! Haal de stekker van de grasmaaier uit het stopcontact voordat u de hoogte afstelt en wacht tot de messen tot stilstand zijn gekomen. De snijmesses zijn bijzonder scherp.

F1

- Klap de hendel naar buiten en houd hem stevig vast.

F2

- Draai de knop met behulp van de hendel om de gewenste maaahoogte in te stellen.
- Klap de hendel terug om de knop te vergrendelen.
- Om een gestreept effect op uw grasmat te krijgen, dient u eerst de streepklep in de juiste stand te bevestigen met de 2 meegeleverde schroeven. Daarna stelt u de maaahoogte in op een lage stand (uitsluitend voor Groot-Brittannië).

Let op: Als het gras lang of ongelijk is (vooral als het gazon na de winter voor de eerste keer wordt gemaaid) gebruik dan eerst een hogere maaistand en maai het gazon vervolgens een tweede keer voor de gewenste lengte.

Onderhoud van de messen

Het stalen mes is speciaal ontwikkeld om een goed resultaat te geven bij lang of stug gras. Het mes blijft goed maaien, ook als het stomp of geblutst is. Het hoeft niet vlijmscherp te zijn.

Wanneer echter de resultaten met dit mes door slijtage toch achteruit gaan, dan is het aan te raden het mes te vervangen of te laten slijpen.

Wij raden u aan het stalen mes ieder jaar aan het begin van het maaiseizoen te vervangen of te laten slijpen. Nieuwe messen (A6118) zijn te verkrijgen bij uw Black & Decker verkooppunt.



Waarschuwing! Vervang het mes van uw machine alleen door de officiële Black & Decker messen die voor uw machine bestemd zijn - breng nooit andere messen aan.

Aanbrengen van nieuwe messen (Fig. G)



Neem bij het gebruik van deze grasmaaier altijd de veiligheidsvoorschriften in acht.

Waarschuwing! Verwijder de stekker uit het stopcontact voordat u het mes gaat vervangen.

G

- Draai uw machine op zijn kant, zodat de onderzijde van het afsluitpaneel vrijkomt.
- Bescherm uw handen met stevige werkhandschoenen of een stevige lap en pak het mes vast. Draai met een passende sleutel de bout tegen de wijzers van de klok in uit de motoras.
- Nu kunt u het blad vervangen en de sluitring en bout weer vastzetten.

Let op: Bij sommige typen bevindt zich tussen het mes en de bout nog een borgringetje.



NEDERLANDS

Let er goed op dat dit altijd weer opnieuw wordt aangebracht.

Let op: Verwijder nooit het rotorblad.

Handige tips

- Gras dat langer dan 10cm is, zal in 2 beurten moeten afgereden worden. Wij raden aan om eerst uw grasmaaier op de hoogste maaihogte in te stellen en tijdens een tweede maaibeurt de middenste of laagste stand te gebruiken. Op deze manier bereikt u het beste resultaat.

Onderhoud en reiniging

Hieronder vindt u enkele aanwijzingen voor het onderhoud van uw grasmaaier in het algemeen. Zie ook onder "Onderhoud van de messen".



Opgelet! Gebruik geen beschadigde verlengkabel. In geval van defect, vervang hem volledig maar voer zelf geen herstellingen uit.

- Reinig uw grasmaaier na ieder gebruik; houd met name de onderzijde van het afsluitpaneel en de luchtopeningen schoon.
- Controleer regelmatig het netsnoer en het verlengsnoer. "Gebruik nooit een snoer dat tekenen van slijtage of beschadiging vertoont - probeer nooit een snoer tijdelijk te repareren."
- We raden aan om na het maaien het gras dat aan de onderzijde van het afsluitpaneel is vastgeplakt met een botte schraper te verwijderen.
- Reinig kunststof onderdelen met een vochtige doek.

Let op: Gebruik geen oplosmiddelen of schoonmaakmiddelen, aangezien deze de kunststof onderdelen van uw machine kunnen beschadigen.

Opsporing van storingen

Als uw machine niet goed functioneert, kunt u het defect mogelijk opsporen met behulp van de volgende tabel.



Waarschuwing! Verwijder altijd de stekker uit het stopcontact voordat u de machine inspecteert.

Probleem	Mogelijke oorzaak	Oplossing
De motor bromt maar het mes draait niet.	Mes zit klem.	Verwijder de stekker uit het stopcontact. Verwijder klemzittende materialen.

Motor maakt geen geluid en het mes draait niet.

Defekt of fout in de elektrische aansluiting.

Verwijder de stekker uit het stopcontact. Probeer een ander stopcontact. Controleer of er een zekering is gesprongen, vervang deze eventueel. Controleer alle elektrische verbindingen en bevestig eventueel opnieuw.

Geen geluid en het blad beweegt niet.

Uitsluitend voor GF1838 Beveiliging tegen overbelasting geactiveerd.

Zie stuk over beveiliging tegen overbelasting.

Milieu



Black & Decker biedt de mogelijkheid tot recyclen van afgedankte Black & Decker producten. Deze service is kosteloos. Om gebruik van deze service te maken, dient u het product aan een van onze servicecentra te sturen, die voor ons de inzameling verzorgen.

U kunt het adres van het dichtstbijzijnde servicecentrum opvragen via de adressen op de achterzijde van deze handleiding. U kunt ook een lijst van onze servicecentra en meer informatie m.b.t. onze klantenservice vinden op het volgende Internet-adres: www.2helpU.com.

Garantie

Black & Decker heeft vertrouwen in zijn producten en biedt een uitstekende garantie. Deze garantiebepalingen vormen een aanvulling op uw wettelijke rechten en beperken deze niet. De garantie geldt in de lidstaten van de Europese Unie en de Europese Vrijhandelsassociatie.

Mocht uw Black & Decker product binnen 24 maanden na datum van aankoop defect raken tengevolge van materiaal- of constructiefouten, dan garanderen wij de kosteloze vervanging van defecte onderdelen, de reparatie van het product of de vervanging van het product, tenzij:



NEDERLANDS

- Het product is gebruikt voor handelsdoeleinden, professionele toepassingen of verhuurdoeleinden;
- Het product onoordeelkundig is gebruikt;
- Het product is beschadigd door invloeden van buitenaf of door een ongeval;
- Reparaties zijn uitgevoerd door anderen dan onze servicecentra of Black & Decker personeel.

Om een beroep op de garantie te doen, dient u een aankoopbewijs te overhandigen aan de verkoper of een van onze servicecentra. U kunt het adres van het dichtstbijzijnde servicecentrum opvragen via de adressen op de achterzijde van deze handleiding. U kunt ook een lijst van onze servicecentra en meer informatie m.b.t. onze klantenservice vinden op het volgende Internet-adres: www.2helpU.com.

Andere machines voor gebruik in de tuin

Black & Decker heeft een compleet assortiment machines die het leven in de tuin vereenvoudigen.

Als u meer informatie over de volgende producten wenst, neemt u dan contact op met ons Service- en Informatiecentrum (zie de adrespagina aan het eind van deze handleiding) of uw plaatselijke Black & Decker dealer.

Strimmers
Kettingzagen
Heggenscharen
Grasmaaiers
Verticuteerders
Bladruimers
Hakselaars

Niet ieder product is verkrijgbaar in alle landen.

EC Verklaring van Conformiteit

GF834/GF934/GF1034/GF1234/GF1438/GF1838

Black & Decker verklaart dat deze elektrische machines in overeenstemming zijn met:
98/37/EEG, 89/336/EEG, 73/23/EEG,
EN 55014, EN 60335, EN 61000,
2000/14/EEG, grasmaaiër, L ≤ 50 cm, Annex VIII,
No. 0086

B.S.I., HP2 4SQ, United Kingdom

Niveau van de geluidsdruk, gemeten volgens
2000/14/EEG:

L_{DA}	(geluidsdruk)	dB(A)	79
L_{WA}	(geluidsvermogen)	dB(A)	93
L_{WA}	(gegarandeerd)	dB(A)	96

Gewogen kwadratische gemiddelde waarde van de versnelling overeenkomstig EN 50144: < 2,5 m/s²

Brian Cooke

Director of Engineering
Spennymoor, County Durham DL16 6JG,
United Kingdom
1-12-2001



Cortacéspedes rotativo

Manual de instrucciones

¡Felicitaciones!

Por haber adquirido un cortacéspedes eléctrico Black & Decker.

Este manual del usuario contiene importantes instrucciones de operación y mantenimiento para todos los cortacéspedes de la serie Black & Decker 4x4 con cable.

Conozca su máquina



Estudie cuidadosamente todo este manual, y, antes, durante y después de usar la máquina, cumpla todas las normas de seguridad que se recomiendan. Mantenga la máquina siempre en buenas condiciones de funcionamiento.

Familiarícese con todos los mandos de la máquina antes de intentar usarla, pero, sobre todo, asegúrese de que sabe cómo pararla en una situación de emergencia.

Guarde para futura consulta este manual y los otros documentos que vienen con la máquina.

Normas de seguridad

Formación

- No hay que permitir el uso de esta máquina ni por niños ni por personas que desconozcan este tipo de máquina, ni por personas que no hayan estudiado este manual.



No permita que niños, animales ni terceras personas se aproximen a la máquina cuando esté en uso: siempre procure que estén a una distancia mínima de 6m de la zona donde se está cortando.

- Recuerde que el operario/usuario es responsable de accidentes o peligro de terceras personas o de su propiedad.
- La máquina está diseñada para ser usada únicamente con energía eléctrica CA (de la red). No intente usar otra fuente de energía.
- Enchufe la máquina en una toma de corriente: nunca use un casquillo portalámparas.



- Si el cable se enreda o se daña, apague la máquina y saque el enchufe del tomacorriente antes de hacer cualquier ajuste o limpieza. Nunca lleve el cortacéspedes sosteniéndolo por medio

del cable, ni tire del cable para separar los conectores. No acerque el cable a fuentes de calor, aceite, ni bordes afilados. Revise el cable antes de usarlo y no lo use si está dañado.

Preparación

- Para protegerse los pies, use zapatos fuertes o botas: la hierba recién cortada está húmeda y resbaladiza.
- Utilice una máscara si se levanta polvo.
- Protéjase los oídos si al utilizar la máquina el nivel del ruido le produjera incomodidad.
- No trabaje descalzo ni use sandalias abiertas.
- Lleve pantalones largos para protegerse las piernas: las piedras y otros desperdicios que haya en el césped o en la pista por donde se pase la máquina pueden ser recogidos y disparados con fuerza por las púas del rastrillo.



- Mantenga siempre el cable de alimentación apartado de las púas: tenga presente su posición en todo momento. Hay que revisar periódicamente el cable de suministro de energía para verificar que no esté dañado ni envejecido: sólo se debe usar si está en buen estado.



- Siempre verifique que la máquina esté en condiciones de funcionar sin peligro.
- Antes de usar su cortacésped, desenchúfelo de la red e inspeccione visualmente la cuchilla y las piezas móviles, por si estuvieran en mal estado. Las cuchillas estropeadas y los pernos gastados son muy peligrosos. También compruebe si la cuchilla está bien sujeta (revise con frecuencia todas las tuercas y pernos).
- Siempre verifique que el césped o la pista por donde se desea pasar la máquina esté libre de trozos de madera, piedras, alambre y otros desechos. Puede ser peligroso el contacto con materiales de esta naturaleza o pueden dañar la máquina, y éstos pueden ser disparados con fuerza por las púas.

Funcionamiento

- Al inclinar el asa hacia abajo o hacia un lado para hacer partir la máquina (en el caso de los cortacéspedes), no lo incline más de lo imprescindible: siempre procure tener ambas manos en posición



de operación, y no aproxime los pies a las púas cuando vuelva a colocar la máquina en el suelo.



La máquina seguirá funcionando durante un breve tiempo después de soltar la palanca de conmutación. Siempre deje que la máquina se detenga sola.

- Para apagar la máquina, suelte la palanca de conmutación y saque la clavija del enchufe de corriente eléctrica. Haga esto cada vez que:
 - Deje la máquina sin atención.
 - Al revisar, limpiar, ajustar o trabajar en la máquina.
 - Antes de eliminar cualquier elemento que se haya atascado en la máquina.
 - Si la máquina empezara a vibrar en forma anormal (verifique inmediatamente su causa).
 - Si las púas chocan con algún objeto extraño, examine la máquina para comprobar si se ha dañado y repárela según sea el caso.
- Nunca haga funcionar la unidad cuando esté sobre el lado ni intente parar las púas: siempre permita que se detenga sola.
- No ponga las manos ni los pies cerca ni debajo de piezas giratorias.
- Manténgase en todo momento lejos de las aberturas de eyección.
- No use la máquina durante tiempo lluvioso, y no permita que se moje. En lo posible, evite usarla cuando la hierba está mojada.
- Use la máquina solamente a la luz del día o con buena luz artificial.
- No tire de la máquina en sentido hacia su cuerpo ni ande hacia atrás al cortar el césped.
- No lleve la máquina hacia su cuerpo ni camine hacia atrás mientras esté haciendo funcionar la máquina.
- No cruce caminos de gravilla ni calles cuando la cuchilla está girando.
- Mantenga firme el equilibrio, especialmente en las cuestas.
- Siempre haga cortes atravesando la superficie de una cuesta, nunca hacia arriba y abajo. Tenga sumo cuidado al cambiar de dirección en cuestas.
- No use la máquina para cortar en cuestas excesivamente abruptas, y siempre lleve calzado antideslizante.



- Siempre camine: nunca corra. No fuerce la máquina.
- Nunca levante ni lleve la máquina con el motor andando. Compruebe que el rodillo de las púas haya dejado de girar antes de levantar la máquina para transportarla.
- Para transportar la unidad, tenga mucho cuidado al levantarla.
- Nunca haga funcionar la máquina si los protectores estuvieran defectuosos.

Mantenimiento y almacenamiento

- Cuando no use la máquina, guárdela en un lugar seco, fuera del alcance de los niños.
- No ponga la máquina en marcha si tiene alguna pieza estropeada: antes de usar la máquina, quite cualquier pieza defectuosa, cambiándola por una nueva.
- Para limpiar la máquina, no utilice ni disolventes ni líquidos de limpieza: use un raspador sin punta para quitar la hierba y la suciedad. Antes de limpiar la máquina, siempre desenchúfela de la corriente eléctrica.
- Para asegurar el buen estado de funcionamiento de la máquina, siempre lleve bien apretado todo pasador, tuerca y tornillo.
- Utilice solamente piezas de recambio y accesorios recomendados por Black & Decker.

La política de Black & Decker consiste en mejorar continuamente sus productos, y por tanto se reserva el derecho de cambiar, sin previo aviso, las especificaciones de sus productos.

Doble aislamiento



Esta máquina lleva doble aislamiento. Esto significa que todas las piezas metálicas externas están aisladas eléctricamente, gracias a una barrera aislante adicional colocada entre las piezas eléctricas y las mecánicas. El doble aislamiento significa mayor seguridad eléctrica y hace innecesario conectar la máquina a tierra.

Seguridad eléctrica



Antes de desconectar la máquina, al sacar clavijas de enchufes o alargaderas, siempre compruebe que la máquina esté apagada en la toma de corriente.

Nota: No conecte Ud mismo una alargadera directamente a la máquina: recomendamos



ESPAÑOL

que lleve la máquina al Centro de Servicio Black & Decker más cercano.

Podrá usar su máquina con mayor seguridad si hace que un electricista calificado le instale un disyuntor de alta sensibilidad (30mA) en el cuadro eléctrico de su casa.

Si no tiene instalado un disyuntor de este tipo o no quiere instalarlo, le recomendamos encarecidamente que se suministre energía eléctrica a la máquina a través de un dispositivo de corriente residual de alta sensibilidad (RCD). Estos dispositivos están diseñados para proporcionar un alto grado de seguridad personal evitando las descargas eléctricas, en caso de que se produjera alguna avería.



Advertencia! El uso de un RCD u otra unidad disyuntor de circuitos no exime al usuario de esta máquina de cumplir las instrucciones de seguridad y demás normas de seguridad en el trabajo que se señalan en este manual.

Prestaciones (Fig. A)

A

Al adquirir un cortacéspedes Black & Decker, Ud se hace propietario de un producto que combina la alta calidad con el diseño moderno, y las siguientes prestaciones que le asegurarán un corte del césped seguro, eficiente y fácil.

- Interruptor de bloqueo de seguridad evita que el cortacéspedes se ponga en marcha accidentalmente.
- Freno de la cuchilla para mayor seguridad. Una vez que se haya soltado la palanca de la caja de interruptores, detiene la cuchilla giratoria en menos de 3 segundos.
- El asidero lleva tuercas grandes de orejas para fácil montaje y almacenamiento.
- 14 posiciones de altura de corte para facilitar la flexibilidad necesaria ante la mayoría de los diversos estados de la hierba.
- La altura de corte se ajusta fácilmente girando el mando de ajuste de altura al nivel deseado. Al girar el mando, se ajustan las cuatros ruedas de una vez.
- Para óptima maniobrabilidad, este cortacéspedes tiene ruedas que giran en 360°, lo cual permite hacer cortes hasta en la misma orilla del césped, y además puede hacer el corte alrededor de obstáculos.
- Las ruedas traseras se pueden trabar para permitir cortar con precisión en línea recta.
- Resistente cubierta de plástico que no se oxida y produce bajo nivel de ruido y de vibración.

- Potente y eficiente motor de inducción que permite cortar y recoger la hierba de modo efectivo en todas condiciones razonables, con un bajo nivel de ruido y poca necesidad de mantenimiento.
- Asidero inclinado hacia arriba, de diseño ergonómico para comodidad de uso y poder empujar con facilidad.
- Recogedor fácil de sacar.
- Sujetador para cable para que éste no estorbe, y evita que se tire accidentalmente del cable, desconectándolo del tomacorriente.

Contenido de la caja

La caja contiene:

- 1 Cuerpo del cortacésped
- 1 Empuñadura (3 piezas)
- 1 Recogedor de césped (2 piezas)
- 1 Alojamiento para el cable
- 1 Llave/rascador
- 1 Destornillador
- 2 Tuercas de aleta
- 2 Arandelas
- 2 Arandelas conformadas
- 2 Pernos de la empuñadura superior
- 2 Pernos de la empuñadura inferior
- 5 Tornillos del recogedor de césped
- 2 Clips de cable
- 1 Manual de instrucciones

- Desembale con cuidado todas las piezas.

Montaje de la empuñadura

- Colocar el cortacésped, junto con sus ruedas, sobre una superficie firme y regular.
- B1**
- Inserte las barras de la empuñadura en las aberturas tal y como se muestra en la fig. B1, de forma que la curva las ensanche en la parte superior.
 - Fije cada barra por medio del perno y la arandela conformada en la forma que se muestra. Apriete firmemente los pernos con la llave que se suministra.



B2 • Deslice el alojamiento del cable sobre la empuñadura en forma de U por debajo de la caja de interruptores negra.

B3 • Coloque la barra del mango superior en forma de U sobre la barra tal y como se muestra.

B4 • Fije la barra del mango superior por medio de los pernos, las arandelas y las tuercas de aleta tal y como se indica.

- Fije los cables a la empuñadura utilizando los clips de cable suministrados.



No utilice ninguna herramienta para apretar las tuercas de aleta.

Modo de armar el recogedor (Fig. C)

El recogedor viene en dos partes. Para armarlas, proceda de la siguiente manera:

C1 • Alinee las dos mitades del recogedor de césped tal y como se muestra.

- Una ambas mitades por medio de los 5 tornillos, empleando el destornillador suministrado.
- Presiónelas para que se junten y se enganchen los clips.

Modo de instalar el recogedor en el cortacéspedes:

C2 • Se levanta la tapa posterior con muelle y se coloca la parte superior del recogedor encima del soporte.

- Ahora se puede soltar la tapa posterior para trabar el recogedor en su posición.

Modo de sacar el recogedor del cortacéspedes:

Cuando está lleno el recogedor, se lo puede sacar levantando la cubierta, sacando el recogedor de su soporte y dejándolo sobre el césped. Se puede bajar la cubierta suavemente para dejar las dos manos libres para levantar el recogedor repleto de hierba.

Cómo usar su máquina (Fig. D)



Cuando use su máquina, tenga en cuenta todas las instrucciones y observaciones.

Para sacar el máximo partido de su cortacésped y evitar que la cuchilla pase sobre el cable, le recomendamos seguir el método direccional:

D1 • Deje la mayor parte del cable de suministro de electricidad sobre el césped cerca del lugar donde va a empezar.

Para fijar el cable al sujetador, proceda de la siguiente manera:

- Pase el extremo de la alargadera que tiene el enchufe hembra por detrás y enchúfelo al cable del cortacéspedes.

D2 • Haga un lazo con la alargadera, cerca del sujetador del cable.

- Pase el bucle por la ranura, desde el lado opuesto a la pinza y sobre la misma. Tire del cable por la ranura. El cable quedará sujeto.

- El cable debe caer lejos del cortacésped, por detrás del operador.



¡Precaución! No intente nunca usar la máquina con una sola mano. Guíela con las dos manos.

D3 • Inclíne el asidero hacia abajo para levantar un poco la parte delantera del cortacéspedes y reducir el riesgo de dañar el césped al poner la máquina en marcha. Presione el botón de desactivación del seguro de la caja de interruptores, siga presionándolo y simultáneamente tire del interruptor de palanca hacia su cuerpo. A continuación se pondrá en marcha el cortacéspedes y se puede soltar el botón de desactivación. Baje el cortacéspedes a la posición de corte correspondiente, y comience a cortar utilizando ambas manos para conducirlo.



Proceda por el área de corte tal como se señala en la Fig. D1(a), trabajando a partir de la posición 1 hacia la posición 2, y, al llegar a la posición 2, gire hacia la derecha y proceda hacia la posición 3. Continúe hasta llegar al final del área de corte, gire hacia la izquierda, y proceda hacia la posición 4. Continúe de la misma manera, tal como se señala en la Fig. D1(a), siempre trabajando contrariamente al sentido del cable. No haga como en la Fig. D1 (b), caminando hacia el cable, pues resulta peligroso.

- Al desplazarse alrededor de obstáculos o al rebordear, tenga cuidado de no aproximar el cable al cortacéspedes.

Nota: Para máxima maniobrabilidad, este cortacéspedes tiene ruedas que giran en 360°. Para permitir cortar con precisión el línea recta, se puede trabar las ruedas traseras en posición, de la siguiente manera:

D4 • Empuje el cortacéspedes hacia delante hasta que las cuatro ruedas giren hacia la parte posterior de la máquina.

D5 • Tire de la palanca que se encuentra al lado izquierdo del cortacéspedes hasta que se engrane el trinquete.

D6 • Para quitar la traba de las ruedas, empuje hacia delante el botón para aflojarlas.



ESPAÑOL

- D7** • Si la palanca se acoplara completamente en el trinquete, pero las ruedas traseras no se traban en su lugar, suelte la palanca, destornille el ajuste del cable dándole una vuelta, y vuelva a acoplar la palanca y el trinquete. Haga lo mismo hasta que las ruedas se traben completamente en su posición.

El cortacésped seguirá funcionando mientras se tira de la palanca del interruptor. Para detener el cortacésped, suelte la palanca del interruptor.

Al terminar de usar el cortacésped, se recomienda quitarle toda la suciedad antes de guardarlo. Refiérase a la sección “Cuidado y mantenimiento”.

Nota: Para óptimos resultados, corte el césped o el área con hierba en forma periódica, y no haga corte alguno cuando la hierba esté húmeda.

En caso que, al cortar el césped, se nota que se esparce hierba cortada debajo del cortacésped, probablemente significa que el recogedor está lleno, y se debería vaciarlo.

Sistema de protección de sobrecarga (GF1838 solamente)

El GF1838 lleva un sistema interno de protección de sobrecarga que apaga el motor si se usa la unidad con poca altura de corte para segar hierba excesivamente larga, o al forzar la máquina en la hierba muy larga. Si el motor se detiene en estas condiciones, no se trata de una avería del cortacésped. Se debe dejar que se enfríe por unos 10 minutos, y luego debe inclinar un poco la máquina, y hacerla funcionar sin movimiento durante 1-2 minutos. La altura de corte debe ponerse al máximo, y después de cortar con esa altura, se debe reducir a la altura requerida.

Maniobrabilidad (Fig. E)

Las ruedas de este cortacésped pueden girar completamente, y por esta razón puede desplazarse alrededor de árboles, postes y otros objetos. También permite cortar con precisión alrededor de adornos que tengan curvas, tales como arriates.

Para óptima maniobrabilidad, suelte el mecanismo de traba trasero empujando hacia delante el botón para aflojar.



Al maniobrar su cortacésped, siempre use el sujetador de cables y cuide de que éste no se aproxime al área de corte.

Ajuste de altura de corte (Fig. F)



¡Aviso importante! Antes de efectuar cualquier ajuste, desconecte el cortacésped del

suministro de electricidad y espere hasta que la cuchilla deje de girar: las cuchillas son afiladas.

F1

- Tire de la palanca hacia afuera y sujétela firmemente.
- Empleando la palanca, gire el mando hasta ajustar la altura deseada de corte.
- Tire hacia atrás de la palanca para bloquear el mando.

F2

- Para producir un efecto de tiras en el césped, primero deslice el dispositivo para hacer tiras y sujételo con los 2 tornillos que vienen con la máquina. Luego ajuste la altura de corte, poniéndola en una posición baja (Reino Unido solamente).

Nota: Para céspedes largos o de crecimiento poco uniforme, (especialmente en el primer corte de la temporada), use primero una posición alta de altura de corte y pase el cortacésped de nuevo para cortar según la altura requerida.

Mantenimiento de las cuchillas

La cuchilla de acero está diseñada para un buen acabado en hierba larga o dura, y seguirá cortando aun después de gastarse o desafilarse. No es necesario conservarla totalmente afilada.

Sin embargo, si debido a algún daño o al propio desgaste, empezara a cortar peor, quizás sea necesario cambiarla o, por lo menos, volverla a afilar.

Le recomendamos afilar la cuchilla de acero o cambiarla por una nueva antes de cada sesión de trabajo.

Podrá adquirir cuchillas nuevas en cualquier concesionario o Centro de Servicio Black & Decker.



¡Atención! Use solo las cuchillas de recambios especificadas por Black & Decker para su máquina; no intente colocar ninguna otra cuchilla.

Instalación de cuchillas nuevas (Fig. G)



Al usar su cortacésped, siga todas las precauciones pertinentes.



¡Atención! Desenchufe su cortacésped de la red antes de colocar el sistema de cuchillas de plástico o cambiar la cuchilla de acero.

G

- Tumbe su cortacésped hacia un lado, de forma que quede expuesta la carcasa de la cuchilla.
- Con un trapo colocado sobre la cuchilla o guantes de trabajo para protegerse las manos, agarre la cuchilla y, con la llave que viene, afloje y quite la tuerca del eje del motor. Gire la tuerca a la izquierda para aflojarla.
- Ahora se puede cambiar la cuchilla y reinstalar la arandela y el tornillo.

Nota: Algunos modelos llevan arandela de encaje entre la tuerca de la cuchilla y la cuchilla; no olvide volver a montarla.

Nota: Bajo ningún concepto debe quitar el impulsor.

Manual de indicaciones

- Para proceder a cortar hierba alta, sobre 10cm (4 pulgadas), lleve a cabo el corte en dos pasadas. Recomendamos que el primer corte se lleve a cabo con la hoja fijada a la máxima altura de corte, y la segunda pasada con ésta fijada en la altura media de corte, procediendo de este manera, le será más fácil y dará un mejor acabado de corte a su césped.

Cuidados y mantenimiento

Los consejos que se exponen en este apartado se refieren al cuidado y mantenimiento del cuerpo principal de su cortacésped. En el apartado "Mantenimiento de las cuchillas" encontrarán lo relativo a éstas.



¡Atención! No use alargaderas que puedan estar estropeadas por algún sitio. Coloque un nuevo cable entero; no realice ningún arreglo temporal o permanente.

- Siempre mantenga limpio y sin hierba cortada su cortacésped, especialmente el lado inferior de la cubierta de la cuchilla, los orificios de ventilación y las ruedas.
- Revise periódicamente todos los cables eléctricos, por si estuvieran gastados, quemados o deteriorados por cualquier otro motivo.
- Le recomendamos que, al final de cada sesión, limpie con una espátula poco afilada la parte de abajo de la tapa de la cuchilla.
- Pase un paño húmedo por todos los componentes de plástico de su cortacésped.

¡Atención! No emplee disolventes ni líquidos limpiadores, pues podrían dañar los componentes de plástico de su máquina.

Localización de averías

Si su máquina no funcionara perfectamente, emplee la siguiente tabla para identificar el problema.



¡Atención! Antes de realizar ninguna revisión, desenchufe siempre su cortacésped de la red.

Sintomas	Posible causa	Remedio
El motor emite un zumbido, pero la cuchilla no se mueve.	Cuchilla atascada.	Desenchufe el cortacésped de la red. Quite lo que está obstruyendo la cuchilla.
No se oye ruido y la cuchilla tampoco se mueve.	Fallo en la conexión eléctrica.	Desenchufe el cortacésped de la red. Enchufe su máquina en una fuente de alimentación eléctrica alternativa (compatible). Coloque un fusible nuevo. Revise todas las conexiones eléctricas de la alargadera y vuelva a apretarlas. Vuelva a cerrar el disyuntor.
No produce ruido y la cuchilla no se mueve.	GF1838 solamente Se ha activado el dispositivo de protección de sobrecarga.	Véase la sección sobre el sistema de protección de sobrecarga.

Protección del medio ambiente



Black & Decker proporciona facilidades para el reciclado de los productos Black & Decker que hayan llegado al final de su vida útil. Este servicio se proporciona de forma gratuita. Para poderlo utilizar, le rogamos entregue el producto en cualquier servicio técnico autorizado quien se hará cargo del mismo en nuestro nombre.

Pueden consultar la dirección de su servicio técnico más cercano poniéndose en contacto con la oficina local de Black & Decker en la dirección que se indica en este manual.



ESPAÑOL

Como alternativa, se puede consultar en Internet, en la dirección siguiente, la lista de servicios técnico autorizados e información completa de nuestros servicios de postventa y contactos: www.2helpU.com.

Garantía

Black & Decker confía plenamente en la calidad de sus productos y ofrece una garantía extraordinaria. Esta declaración de garantía es una añadido a, y en ningún caso un perjuicio para, sus derechos estatutarios. La garantía es válida dentro de los territorios de los Estados Miembros de la Unión Europea y de los de la Zona Europea de Libre Comercio.

Si un producto Black & Decker resultara defectuoso debido a materiales o mano de obra defectuosos o a la falta de conformidad, Black & Decker garantiza, dentro de los 24 meses de la fecha de compra, la sustitución de las piezas defectuosas, la reparación de los productos sujetos a un desgaste y rotura razonables o la sustitución de tales productos para garantizar al cliente el mínimo de inconvenientes, a menos que:

- El producto haya sido utilizado con propósitos comerciales, profesionales o de alquiler;
- El producto haya sido sometido a un uso inadecuado o negligente;
- El producto haya sufrido daños causados por objetos o sustancias extrañas o accidentes;
- Se hayan realizado reparaciones por parte de personas que no sean los servicios de reparación autorizados o personal de servicios de Black & Decker;

Para reclamar en garantía, será necesario que presente la prueba de compra al vendedor o al servicio técnico de reparaciones autorizado. Pueden consultar la dirección de su servicio técnico más cercano poniéndose en contacto con la oficina local de Black & Decker en la dirección que se indica en este manual. Como alternativa, se puede consultar en Internet, en la dirección siguiente, la lista de servicios técnico autorizados e información completa de nuestros servicios de postventa y contactos: www.2helpU.com.

Otras herramientas de jardinería

Black & Decker cuenta con una amplia gama de herramientas de jardinería para hacerle la vida en el jardín más fácil. Si desea más información sobre los siguientes productos, no dude en ponerse en contacto con nuestro Centro de Servicio e Información (consulte la página de direcciones al final de este manual) o diríjase a su concesionario local de Black & Decker.

Motosierras
Recortabordes
Recortasetos
Cortacéspedes
Escarificadores
Aspiradores-sopladores

Todos los productos no se encuentran disponibles en todos los países.

Declaración CE de conformidad

GF834/GF934/GF1034/GF1234/GF1438/GF1838

Black & Decker certifica que estas herramientas eléctricas han sido construidas de acuerdo a las normas siguientes:

98/37/CEE, 89/336/CEE, 73/23/CEE,
EN 55014, EN 60335, EN 61000,

2000/14/CEE, cortacésped, L ≤ 50 cm, Annex VIII,
No. 0086

B.S.I., HP2 4SQ, Reino Unido

El nivel de la presión acústica, medida de acuerdo con 2000/14/CEE:

L_{pA}	(presión acústica)	dB(A)	79
L_{WA}	(potencia acústica)	dB(A)	93
L_{WA}	(garantizado)	dB(A)	96

Valor cuadrático medio ponderado en frecuencia de la aceleración según EN 50144: < 2,5 m/s²

Brian Cooke

Director de Ingeniería
Spennymoor, County Durham DL16 6JG,
United Kingdom
1-12-2001

Aparador de relva rotativo

Manual de instruções

Parabéns!

Pela compra do aparador de relva com fio da Black & Decker.

Neste manual do utilizador poderá encontrar importantes instruções de utilização e de montagem para todos os aparadores de relva da gama 4x4 com fio, da Black & Decker.

A máquina



Leia este manual com atenção. Cumpra todas as instruções de segurança recomendadas antes, durante e depois da utilização da máquina, mantendo-a em boas condições de funcionamento.



Familiarize-se com os comandos da máquina antes de tentar utilizá-la, mas acima de tudo, certifique-se de que consegue pará-la em caso de emergência.

ConsERVE este manual e quaisquer outras instruções fornecidas juntamente com a máquina, em caso de necessidade futura.

Instruções de segurança

Formação

- Não permita que crianças, pessoas não familiarizadas com este tipo de máquina ou que não tenham lido este manual, utilizem a máquina.



Não permita a aproximação de crianças, animais ou mesmo adultos, quando estiver a utilizar a máquina. Mantenha qualquer pessoa a uma distância de pelo menos 6m da área de operação.

- Lembre-se que o utilizador é o principal responsável por quaisquer acidentes que possam acontecer a outras pessoas ou na área em questão.
- A máquina foi concebida para funcionar unicamente com corrente alterna - não tente utilizá-la com qualquer outro tipo de energia.
- Ligue a máquina a uma tomada - não a um casquilho de lâmpada.



- Desligue a máquina e retire a ficha da tomada antes de efectuar qualquer ajuste ou limpeza na máquina, ou se o cabo se encontrar encurvadado ou danificado. Nunca desloque o aparador utilizando o cabo de alimentação, nem o puxe bruscamente para retirar a ficha da

tomada. Mantenha o cabo de alimentação longe de fontes de calor, óleo ou instrumentos afiados. Verifique o estado do cabo antes de utilizar o aparelho e cancele a operação se este se encontrar danificado.

Preparação

- Use botas ou sapatos fortes para proteger os pés. A relva cortada recentemente é húmida e escorregadia.
- Utilize uma máscara se o ambiente se encontrar saturado de poeira.
- Utilize protecções para os ouvidos se o nível de som o incomodar durante a utilização da máquina.
- Não utilize a máquina se se encontrar descalço ou se calçar sandálias.
- Use calças compridas para proteger as pernas - qualquer detrito deixado na relva poderá ser recolhido e projectado pelos dispositivos de limpeza do aparelho.
- Mantenha sempre o cabo de alimentação afastado dos dispositivos de limpeza - Verifique a posição do cabo com alguma frequência. O cabo de alimentação deverá ser verificado regularmente para se certificar de que não se encontra danificado nem demasiado velho para ser utilizado, devendo apenas ser utilizado se se encontrar em boas condições
- Certifique-se sempre de que a máquina se encontra em boas condições de funcionamento.



- Antes de utilizar a máquina, desligue-a da unidade de alimentação e observe se a lâmina e as partes rotativas se encontram avariadas. Lâminas danificadas e parafusos gastos constituem um perigo. Verifique também se a lâmina se encontra bem presa. (Inspeccione frequentemente todas as porcas e todos os parafusos.)
- Verifique sempre se a relva ou o caminho onde vai ser efectuado o varrimento não têm detritos, paus, pedras ou arames. Se a máquina entrar em contacto com este tipo de detritos poderá danificar-se ou poderá projectá-los, causando ferimentos graves.

Funcionamento

- Quando movimentar a pega para baixo ou para os lados, de modo a efectuar o



PORTUGUÊS

arranque da máquina (aparadores), faça-o apenas enquanto for necessário. Antes de colocar a máquina no chão, certifique-se de que segura na máquina com ambas as mãos e de que os pés se encontram bem longe dos dispositivos de limpeza.



A estrutura dos dispositivos de limpeza continua a trabalhar durante algum tempo, mesmo depois de soltar o interruptor, deixe que a máquina pare sozinha.

- Liberte o interruptor para parar a máquina e desligue-a da tomada:
 - Sempre que abandonar a máquina.
 - Antes de verificar, limpar, ajustar ou efectuar qualquer trabalho na máquina.
 - Antes de solucionar um bloqueio dos dispositivos de limpeza.
 - Se a máquina começar a vibrar de forma estranha (verificar imediatamente).
 - Após ter dado uma pancada num objecto estranho. Verifique se a máquina se encontra danificada e efectue as reparações necessárias.
- Não tente em qualquer circunstância, voltar a máquina de lado enquanto está a trabalhar, nem tente parar os dispositivos de limpeza. Deixe que a máquina pare sozinha.
- Não coloque as mãos ou os pés perto ou debaixo de peças em movimento.
- Mantenha-se sempre longe dos orifícios de descarga.
- Não utilize a máquina quando estiver a chover ou com tempo húmido e não deixe que esta se molhe. Se possível, evite utilizar a máquina em relva molhada.
- Utilize a máquina apenas de dia ou com uma boa iluminação artificial.
- Não puxe a máquina na sua direcção nem caminhe para trás durante a operação de corte.
- Não cruze caminhos ou carreiros de cascalho quando a lâmina se encontrar em movimento.
- Não atravesse caminhos de areia grossa ou cascalho enquanto os dispositivos de limpeza se encontrarem em funcionamento.
- Verifique sempre a sua posição, especialmente em inclinações.
- Efectue sempre a operação ao longo de inclinações, nunca para cima ou para baixo. Seja extremamente cuidadoso quando mudar de direcção em inclinações.



- Não efectue quaisquer operações em inclinações muito pronunciadas e utilize sempre calçado não escorregadio.
- Caminhe, nunca corra. Não force a máquina.
- Nunca levante nem transporte a máquina enquanto o motor se encontrar em funcionamento. Certifique-se de que os dispositivos de limpeza se encontram parados quando levantar ou transportar a máquina.
- Seja extremamente cuidadoso ao levantar a máquina.
- Nunca utilize a máquina se os seus resguardos ou coberturas se encontrarem danificados.

Manutenção e armazenamento

- Quando não utilizar a máquina, guarde-a num local seco, de preferência longe do alcance das crianças.
- Não utilize a máquina se alguma das peças se encontrar em más condições. Antes de utilizar a máquina, retire as peças defeituosas e substitua-as por peças novas.
- Não utilize solventes ou líquidos de limpeza para limpar a máquina - use uma raspadeira para retirar a relva e a sujidade. Desligue sempre a máquina antes de a limpar.
- Mantenha todas as porcas, cavilhas e parafusos bem apertados para se certificar de que a máquina se encontra em boas condições de funcionamento.
- Utilize apenas peças e acessórios recomendados pela Black & Decker

A política da Black & Decker tem como objectivo o melhoramento contínuo dos seus produtos e, para tal, reserva-se o direito de alterar as especificações dos seus produtos sem aviso prévio.

Duplo isolamento



Esta máquina possui um isolamento duplo, ou seja, todas as peças metálicas se encontram isoladas da alimentação. Este isolamento obtém-se colocando uma barreira de isolamento adicional entre as peças mecânicas e as eléctricas. O isolamento duplo proporciona uma maior segurança a nível eléctrico, e evita a ligação da máquina numa tomada terra.



Segurança eléctrica



Deve desligar sempre a máquina da corrente, antes de desligar qualquer ficha, tomada ou extensão, da corrente.

Nota: Os fusíveis não servem de protecção contra choques eléctricos.

Poderá obter uma maior segurança se pedir a um electricista que instale um disjuntor de grande sensibilidade (30mA) no sistema eléctrico da sua residência.

Se esse disjuntor não se encontrar instalado, ou não desejar instalá-lo, recomenda-se que o fornecimento de corrente eléctrica para o aparelho seja efectuado por um dispositivo RCD. Este dispositivo foi concebido para proporcionar um elevado grau de segurança pessoal contra correntes prejudiciais, em caso de falha.



Atenção! A utilização de um dispositivo RCD ou de um disjuntor não impede que o utilizador continue a seguir as instruções e procedimentos de segurança ilustrados neste manual.

Características (Fig. A)

A

Acabou de adquirir um aparador Black & Decker que combina qualidade com um design moderno, possuindo ainda características próprias que tornam a sua utilização muito segura, eficaz e simples.

- Interruptor de bloqueio, que evita a ligação accidental da máquina.
- Travão da lâmina, que interrompe a rotação da lâmina 3 segundos após a alavanca de ligação ter sido libertada.
- Porcas especialmente concebidas para facilitar a montagem e o armazenamento.
- 14 posições para altura de corte, permitindo efectuar a operação de corte em diversos tipos de relvado.
- Pode-se ajustar a altura de corte facilmente girando-se o botão de ajuste da altura para a posição desejada. Ao girar o botão ajustam-se as quatro rodas de uma vez.
- As rodas do aparador possuem um curso de 360°, facilitando as manobras da máquina e permitindo efectuar a operação de corte mesmo até à extremidade do relvado ou em redor de obstáculos.
- As rodas traseiras poderão ser bloqueadas, de modo a permitir uma operação de corte em linha recta.

- A plataforma de suporte é fabricada em plástico muito resistente, evitando a ferrugem e reduzindo o ruído e as vibrações.
- O motor de injeção potente e eficaz permite efectuar a operação de corte numa grande diversidade de condições, possui um baixo nível de ruído e a manutenção necessária não é significativa.
- A pega ergonómica foi concebida para facilitar a tarefa do utilizador.
- A caixa de aparas é facilmente amovível.
- O suporte para o cabo mantém o cabo longe da zona de operação e evita que a ficha seja retirada da tomada, interrompendo deste modo o funcionamento da máquina.

Conteúdo da caixa

A caixa contém:

- 1 Corpo do corta-relva
- 1 Cabo (3 peças)
- 1 Caixa de aparas (2 peças)
- 1 Retentor do cabo
- 1 Chave
- 1 Chave de fenda
- 2 Borboletas
- 2 Anilhas
- 2 Anilhas perfiladas
- 2 Pernos para o cabo superior
- 2 Pernos para o cabo inferior
- 5 Parafusos para a caixa de aparas
- 2 Presilhas para o cabo
- 1 Manual de instruções

- Retire todas as peças da embalagem, com cuidado.

Montagem do cabo

- Coloque o corta-relva com as rodas numa superfície firme e nivelada.

B1

- Insira as barras do cabo nas aberturas conforme o indicado na fig. B1 de maneira que a curva as torne mais abertas na parte superior.
- Fixe cada uma das barras com um perno e com uma anilha perfilada conforme o mostrado. Fixe bem o perno utilizando a chave fornecida.



PORTUGUÊS

B2 • Deslize o retentor do cabo pelo cabo de manuseio em forma de U abaixo da caixa de conexões preta.

B3 • Coloque a barra superior do cabo em forma de U nas barras conforme o indicado.

B4 • Prenda a barra do cabo superior com os pernos, anilhas e borboletas, conforme o indicado.

- Fixe os cabos no cabo de manuseio utilizando as presilhas fornecidas.



Não utilize ferramentas para apertar as borboletas.

Montagem da caixa de aparas (Fig. C)

A caixa de aparas encontra-se dividida em duas partes. Para efectuar a sua montagem deverá proceder da seguinte forma:

C1 • Alinhe as duas metades da caixa de aparas, conforme o mostrado.
• Para encaixá-las utilize os cinco parafusos e a chave de fenda fornecida.
• Pressione para engatar os dispositivos de fixação.

Montagem da caixa de aparas no aparador:

C2 • O acessório traseiro deverá encontrar-se levantado e a zona superior da caixa de aparas deverá ser colocada sobre o suporte.
• Em seguida poderá soltar o acessório traseiro para fixar a caixa de aparas na posição correcta.

Retirar a caixa de aparas do aparador:

Poderá retirar a caixa de aparas levantando o acessório traseiro, retirando-a do suporte e colocando-a sobre a relva. O acessório traseiro poderá ser baixado lentamente, permitindo que o utilizador transporte a caixa de aparas utilizando as duas mãos.

Como utilizar o seu aparelho (Fig. D)



Tenha atenção a todos os avisos, ao utilizar o seu corta-relvas.

Recomendamos o uso do método direccional tradicional de corte, de modo a tirar o máximo rendimento do seu aparelho.

D1 • Coloque a maior parte do cabo eléctrico sobre o relvado, perto da tomada eléctrica.

Para colocar o cabo no suporte proceda da seguinte forma:

- Traga a extensão até ao cabo do aparelho e una-os.

D2 • Enrole a extensão perto do suporte para o cabo.

- Passe o círculo de cabo pela ranhura do gancho de retenção. O cabo ficará assim preso.
- A extensão deverá cair no solo afastada do corta-relva por trás do utilizador.



Aviso! Não utilize o corta-relva com uma só mão. Deve conduzi-lo com ambas as mãos.

D3

• Pressione a pega para baixo, de modo a levantar ligeiramente a frente do aparador e a reduzir os danos na relva aquando do arranque da máquina. Mantenha o botão de bloqueio pressionado e puxe a alavanca de ligação na sua direcção. A máquina deverá entrar em funcionamento, pelo que poderá libertar o botão de bloqueio. Coloque o aparador na posição de corte adequada e inicie a operação utilizando as duas mãos para definir a direcção de corte.



- Desloque a máquina através da área de corte da forma descrita na Fig. D1(a), efectuando a operação a partir da posição 1 em direcção à posição 2, voltando para a direita e seguindo em direcção à posição 3. Efectue este procedimento até ao final da área de corte, volte para a esquerda e siga em direcção à posição 4. Proceda sempre da forma descrita na Fig. D1(a), mantendo a máquina longe do cabo de alimentação. Trabalhe sempre com o cabo afastado da máquina, e não como mostrado na Fig. D1(b), que pode constituir um perigo para o utilizador.
- Certifique-se de que o cabo se encontra longe do aparador quando efectuar manobras em redor de obstáculos ou quando efectuar a operação de corte nas extremidades do relvado.

Nota: As rodas do aparador possuem um curso de 360°, de modo a facilitar as manobras da máquina, e as rodas traseiras poderão ser bloqueadas, de modo a permitir uma operação de corte precisa, em linha recta:

D4 • Empurre a máquina até que todas as rodas se encontrem direccionadas para a traseira do aparador.

D5 • Puxe a alavanca de bloqueio que se encontra no lado esquerdo da máquina até que esta engate.

D6 • Para desbloquear as rodas deverá pressionar o botão de desbloqueio.



- D7** • Se a alavanca de bloqueio se encontrar engatada, mas as rodas traseiras não se encontrarem bloqueadas, deverá libertar a alavanca e efectuar o ajuste do cabo. Em seguida deverá voltar a engatar a alavanca. Repita o procedimento até que as rodas se encontrem bloqueadas.

O aparador continuará em funcionamento quando puxar a alavanca de ligação. Para desligar a máquina deverá libertar a alavanca. Quando terminar a operação de corte deverá limpar a máquina antes de a guardar. Consultar a secção “Cuidados e manutenção”.

Nota: Para obter os melhores resultados deverá efectuar a operação de corte regularmente. Não deverá cortar a relva quando esta se encontrar molhada.

Se notar que as aparas de relva são projectadas da zona inferior da máquina, durante a operação de corte, isso significa que a caixa de aparas se encontra cheia e deverá ser esvaziada.

Protecção contra sobrecargas (apenas para o modelo GF1838)

O modelo GF1838 possui um dispositivo de protecção interna contra sobrecargas, que desactivará o motor se a altura de corte não for adequada ao comprimento da relva que deseja cortar ou se a relva se encontrar muito comprida. Se o motor parar devido a uma destas causas, tal não significa que a máquina se encontra avariada. Deverá parar durante 10 minutos, inclinar ligeiramente a máquina e fazê-la funcionar sem carga durante 1-2 minutos. A altura de corte deverá ser colocada na sua posição mais elevada e após alguns minutos de funcionamento colocada na posição mais adequada.

Manobras (Fig. E)

O aparador possui rodas rotativas, pelo que poderá efectuar manobras em redor de troncos de árvores e outros obstáculos. Permite ainda efectuar cortes precisos em redor de canteiros e outros elementos artísticos.

Para tornar ainda mais fácil o manejo da máquina deverá desactivar o mecanismo de bloqueio das rodas traseiras, pressionando o botão de desbloqueio.



Quando efectuar manobras com o aparador utilize sempre o suporte para o cabo e certifique-se de que o cabo se encontra longe da zona de corte.

Ajuste da altura de corte (Fig. F)

Aviso! Desligue o aparador da corrente eléctrica antes de efectuar qualquer ajuste e

aguarde até que a lâmina pare de rodar, uma vez que as lâminas de corte são muito afiadas.

F1

- Vire a alavanca para fora e segure-a firmemente.
- Gire o botão com a alavanca para ajustar a altura de corte desejada.
- Vire a alavanca para a posição original para travar o botão.

F2

- Para produzir um efeito de riscas no relvado deverá colocar o dispositivo fornecido para esse fim na sua posição correcta e fixá-lo com os 2 parafusos fornecidos. Em seguida deverá colocar a altura de corte na sua posição mais baixa (apenas para o RU).

Nota: Se a relva se encontrar muito comprida ou sem qualquer uniformidade (normalmente aquando do primeiro corte da estação) deverá iniciar a operação de corte com uma posição mais alta e efectuar uma segunda passagem utilizando a posição de corte desejada.

Manutenção das lâminas

A lâmina de aço é indicada para dar um bom acabamento ao corte de relva comprida ou rija. A lâmina continuará a cortar, mesmo se deixar de ter fio ou se tornar áspera, pois não se torna necessário que seja muito afiada.

Se, contudo, devido a avaria ou desgaste a qualidade do corte diminuir, então pode tornar-se necessário substituir a lâmina do corta relvas ou, pelo menos, afiar a lâmina existente.

Recomenda-se que a lâmina de aço seja novamente afiada, ou que seja colocada uma nova lâmina no começo de cada sessão de trabalho.

Poderá adquirir novas lâminas no Representante local de Black & Decker.



Aviso! Quando adaptar uma nova lâmina utilize apenas peças Black & Decker específicas para a sua máquina - não tente adaptar nenhum outro tipo de lâmina.

Montar novas lâmina (Fig. G)



Quando utilizar a máquina, observe todos os avisos pertinentes.

Aviso! Desligue a máquina de corrente, antes de adaptar o sistema de lâmina de plástico, ou antes de proceder à mudança da lâmina de aço.

G

- Volte a máquina de lado para poder ver a parte de baixo da base do corta-relvas.
- Utilizando um pedaço de pano ou luvas fortes para proteger as mãos, segure a



PORTUGUÊS

lâmina e, utilizando a chave de parafusos fornecida com a máquina, desaperte e retire a porca do eixo do motor. Para desapertar a porca, rode-a no sentido contrário ao dos ponteiros do relógio.

- A lâmina poderá então ser substituída e a anilha e cavilha colocadas na sua posição correcta.

Nota: Alguns modelos possuem uma anilha de engate, localizada entre a porca da lâmina e a lâmina, que deve estar sempre montada.

Nota: Nunca retire a turbina.

Sugestões

- Em relva grande (10cm), corte em duas vezes. Recomendados que primeiro use uma altura de corte superior, e no segundo corte use uma altura inferior. Com este processo você terá uma maior durabilidade na máquina e conseguirá um corte mais perfeito.

Cuidados e manutenção

Nesta secção encontrará informações sobre a manutenção e os cuidados a ter com o corpo principal da máquina. O capítulo "Manutenção das lâminas" fornece-lhe informações sobre as lâminas.



Aviso! Não utilize uma extensão de cabo danificada, nem a tente reparar, mesmo temporariamente. Adapte uma nova.

- Mantenha sempre o aparador limpo e livre de aparas. Deverá prestar especial atenção à zona inferior da plataforma de corte, aos orifícios de ventilação e às rodas.
- Verifique regularmente se os cabos eléctricos apresentam sinais de desgaste, ou se se encontram de qualquer modo danificados.
- Recomenda-se que, no fim de cada sessão de corte, retire a erva acumulada por baixo da cobertura da lâmina com um raspador rombo.
- Limpe todas as partes de plástico com um pano húmido.

Aviso! Não utilize diluentes ou líquidos de limpeza para não danificar as partes de plástico da máquina.

Resolução de problemas

Se o corta relvas não funcionar devidamente, estude o quadro que se segue para localizar o problema.



Aviso! Desligue sempre a máquina da corrente, antes de proceder a qualquer inspecção.

Problema	Causas possíveis	Solução
O motor trabalha mas a lâmina não se mexe.	Lâmina encravada.	Desligue a máquina. Remova o que quer que obstrua a lâmina.
O motor não trabalha e a lâmina não se mexe.	Má ligação eléctrica.	Desligue a máquina. Ligue a máquina a uma unidade de alimentação alternativa (compatível). Adapte um novo fusível. Volte a apertar, e verifique todas as ligações eléctricas das extensões de cabo.
O aparelho não emite qualquer ruído e a lâmina não se desloca.	Apenas para o modelo GF1838 O dispositivo de protecção contra sobrecargas foi activado.	Consultar secção relativa à protecção contra sobrecargas.

Protecção do meio ambiente



A Black & Decker oferece facilidades para a reciclagem de produtos Black & Decker uma vez que os mesmos tenham alcançado o final de suas vidas úteis. Este serviço é fornecido sem encargos. Para utilizá-lo, devolva seu produto a qualquer agente de reparo autorizado, que se encarregará de recolher o equipamento em nosso nome.

Para verificar a localização do agente de reparo mais próximo de si, contacte o escritório local da Black & Decker no endereço indicado neste manual. Se preferir, consulte a lista de agentes autorizados da Black & Decker e os dados completos de nossos serviços de atendimento pós-venda na Internet no endereço: www.2helpU.com.

Garantia

A Black & Decker confia na qualidade de seus produtos e oferece um programa de garantia excelente. Esta declaração de garantia soma-se a seus direitos legais e não os prejudica em nenhum aspecto. A garantia será válida nos territórios dos Estados Membros da União Europeia e na Área de Livre Comércio da Europa.



Caso algum produto da Black & Decker apresente avarias devido a defeitos de material, mão-de-obra ou ausência de conformidade no prazo de 24 meses a partir da data de compra, a Black & Decker garantirá a substituição das peças defeituosas, a reparação dos produtos que foram submetidos a uso adequado e remoção ou substituição dos mesmos para assegurar o mínimo de inconvenientes ao cliente a menos que:

- O produto haja sido utilizado para fins comerciais, profissionais ou locação;
- O produto haja sido submetido a uso incorrecto ou descuido;
- O produto haja sofrido danos causados por objectos estranhos, substâncias ou acidentes;
- Haja histórico de reparos efectuados por terceiros que não sejam os agentes autorizados ou profissionais de manutenção da Black & Decker.

Para accionar a garantia, será necessário enviar a prova de compra ao revendedor ou agente de reparo autorizado. Para verificar a localização do agente de reparo mais próximo de si contacte o escritório local da Black & Decker no endereço indicado neste manual. Se preferir, consulte a lista de agentes autorizados da Black & Decker e os dados completos de nossos serviços de atendimento pós-venda na Internet no endereço: www.2helpU.com.

Outras ferramentas para jardim

A Black & Decker possui uma grande variedade de ferramentas que facilitam o trabalho no jardim. Se desejar obter mais informações sobre os produtos a seguir mencionados, contacte o nosso Serviço a Clientes (veja a página de endereços no final deste manual) ou contacte o revendedor local da Black & Decker.

Aparadores

Electrosserras

Tesoura de relva

Corta-sebes

Corta-relvas

Vassouras para relvado

Aspiradores de folhas

Trituradores

Nem todos os produtos estão disponíveis em todos os países.

Declaração de conformidade

GF834/GF934/GF1034/GF1234/GF1438/ GF1838

Black & Decker declara que estas ferramentas foram concebidas em conformidade com:

98/37/CEE, 89/336/CEE, 73/23/CEE,
EN 55014, EN 60335, EN 61000,

2000/14/CEE, corta-relvas, L ≤ 50 cm,
Annex VIII, No. 0086

B.S.I., HP2 4SQ, Reino Unido

Nível de potência sonora, medido de acordo com a 2000/14/CEE:

L_{pA}	(pressão sonora)	dB(A)	79
L_{WA}	(potência sonora)	dB(A)	93
L_{WA}	(com garantia)	dB(A)	96

Valor médio quadrático ponderado em frequência de aceleração conforme à EN 50144:
< 2,5 m/s²

Brian Cooke

Engenheiro Responsável
Spennymoor, County Durham DL16 6JG,
United Kingdom
1-12-2001



Περιστρεφόμενο Κουρευτικό

Οδηγίες χρήσεως

Συγχαρητήρια!

Συγχαρητήρια για την αγορά του προϊόντος της Black & Decker που κάνατε!

Αυτό το εγχειρίδιο σας παρέχει σημαντικές οδηγίες λειτουργίας και συντήρησης για όλα τα ηλεκτρικά κουρευτικά της σειράς 4X4 της Black & Decker.

Εξοικειωθείτε με το μηχάνημά σας



Διαβάστε προσεκτικά αυτό το εγχειρίδιο, ακολουθώντας όλες τις συνιστώμενες οδηγίες ασφάλειας πριν, κατά τη διάρκεια και μετά τη χρήση του μηχανήματός σας. Συντηρήστε το μηχάνημά σας σε καλή κατάσταση.

Εξοικειωθείτε με τα κοντρόλ του μηχανήματός σας πριν επιχειρήσετε να το λειτουργήσετε και προ παντός εξασφαλίστε ότι γνωρίζετε πως να σταματήσετε το μηχάνημά σας σε έκτακτη ανάγκη.

Φυλάξτε αυτό το εγχειρίδιο και όλα τα άλλα έντυπα τα οποία παρέχονται με το μηχάνημά σας για μελλοντική χρήση.

Οδηγίες ασφάλειας

Εκπαίδευση

- Μην επιτρέπετε ποτέ σε παιδιά ή άτομα τα οποία δεν είναι εξοικειωμένα με μηχανήματα αυτού του τύπου να το χρησιμοποιήσουν. Το ίδιο ισχύει και για άτομα που δεν έχουν μελετήσει αυτές τις οδηγίες.



Μην επιτρέπετε σε παιδιά, ζώα και άλλα άτομα να πλησιάζουν το μηχάνημά σας όταν βρίσκεται σε λειτουργία. Φροντίστε να βρίσκονται πάντα σε τουλάχιστον 6 μέτρα απόσταση από το χώρο κοπής.

- Έχετε υπ' όψη σας ότι ο χρήστης είναι υπεύθυνος για τυχόν ζημιές και ατυχήματα που προκαλούνται σε άλλα άτομα και στην παρουσία τους.
- Το μηχάνημά σας είναι σχεδιασμένο μόνο για λειτουργία σε οικιακό ρεύμα - μην επιχειρείτε να το χρησιμοποιήσετε με οποιονδήποτε άλλο τύπο ρεύματος.



- Συνδέστε το μηχάνημά σας σε μία πρίζα - ποτέ σε υποδοχή φωτός.
- Κλείστε το μηχάνημα και αφαιρέστε την πρίζα από το ρεύμα πριν ρυθμίσετε και καθαρίσετε ή όταν το καλώδιο έχει μπερδευτεί ή διαφθαρεί. Μη μεταφέρετε ποτέ το κουρευτικό σας από το καλώδιο και μην τραβάτε το καλώδιο για να αποσυνδέσετε τους συνδετήρες. Διατηρήστε το καλώδιο μακριά από πηγές θερμοκρασίας, από λάδια ή από αιχμηρά άκρα. Ελέγξτε την κατάσταση του καλωδίου πριν από τη χρήση και μη χρησιμοποιείτε το μηχάνημα αν το καλώδιο είναι διεφθαρμένο.

Προετοιμασία

- Για την προστασία των ποδιών σας, φοράτε πάντα ανθεκτικά παπούτσια ή μπόττες - το φρεσκοκομμένο γρασίδι είναι υγρό και γλιστερό.
- Χρησιμοποιήστε μία μάσκα προσώπου αν υπάρχουν σκόνες.
- Χρησιμοποιήστε προστασία για την ακοή αν το επίπεδο θορύβου είναι ενοχλητικό κατά τη διάρκεια της χρήσης του μηχανήματός σας.
- Μη χρησιμοποιείτε το μηχάνημά σας ξυπόλυτος ή με ανοιχτά σανδάλια.
- Φορέστε μακριά παντελόνια για την προστασία των ποδιών σας - οποιαδήποτε σκουπίδια βρίσκονται στο γρασίδι ή στην πορεία σκαλισματος είναι δυνατόν να αρπαχτούν από τα δόντια του μηχανήματος και να πεταχτούν.
- Διατηρήστε πάντα το καλώδιο μακριά από τα δόντια του μηχανήματος - πρέπει πάντα να προσέχετε τη θέση του. Το καλώδιο παροχής ρεύματος πρέπει να ελέγχεται συχνά για τυχόν βλάβες ή φθορά και πρέπει να το χρησιμοποιείτε μόνο αν βρίσκεται σε καλή κατάσταση.
- Εξασφαλίστε ότι το μηχάνημά σας βρίσκεται πάντοτε σε ασφαλή κατάσταση λειτουργίας.
- Προτού χρησιμοποιήσετε τη μηχανή σας, αποσυνδέστε την από την ηλεκτρική τροφοδοτηση και επιθεωρήστε την λεπίδα





και τα ανταλλακτικά περιστροφής, οπτικά, για τυχόν βλάβη. Για χαλασμένες λεπίδες και τα φθαρμένα περικοχλία είναι μεγάλοι κίνδυνοι. Επίσης ελέγξατε η λεπίδα να είναι στερεωμένη καλά. Να εξετάζετε ταχτικά όλα τα παξιμάδια και τους κοχλίες.

- Ελέγξτε πάντα ότι το γρασιδί είναι καθαρό και χωρίς κλαδιά, πέτρες, σύρματα και άλλα σκουπίδια. Επαφή με σκουπίδια τέτοιου είδους μπορεί να είναι επικίνδυνη ή να προκαλέσει βλάβη στο μηχάνημά σας.

Λειτουργία

- Όταν στρέφεται τη χειρολαβή προς τα κάτω ή προς τα πλάγια για να θέσετε το μηχάνημα σε λειτουργία (κουρευτικά), μην το στρέψετε περισσότερο από όσο είναι απολύτως απαραίτητο. Εξασφαλίστε πάντα ότι και τα δύο χέρια σας βρίσκονται στη θέση λειτουργίας και τα πόδια σας βρίσκονται μακριά από τα δόντια πριν επιστρέψετε το μηχάνημα στο έδαφος.



Το μηχάνημα θα εξακολουθήσει να λειτουργεί για ένα μικρό διάστημα αφού αφήσετε το μοχλό διακόπτη. Αφήστε πάντα το μηχάνημα να σταματήσει μόνο του.

- Αφήστε το μοχλό διακόπτη για να κλείσετε το μηχάνημα και αφαιρέστε το φιν από την πρίζα:
 - Όποτε αφήνετε το μηχάνημά σας μόνο του στον κήπο.
 - Πριν ελέγξετε, καθαρίσετε, ρυθμίσετε ή εργαστείτε πάνω στο μηχάνημα.
 - Πριν καθαρίσετε ένα μπλοκάρισμα.
 - Αν το μηχάνημα αρχίσει να δονείται ανώμαλα (ελέγξτε αμέσως).
 - Μετά από σύγκρουση με οποιοδήποτε αντικείμενο. Ελέγξτε το μηχάνημα για τυχόν βλάβες και διορθώστε ο,τι είναι απαραίτητο.
- Μη λειτουργείτε ποτέ το μηχάνημα όταν βρίσκεται στο πλευρό του και μην επιχειρείτε να σταματήσετε τα δόντια. Αφήστε το πάντα να σταματήσει μόνο του.
- Μη βάζετε τα χέρια ή τα πόδια κοντά ή κάτω από τα περιστρεφόμενα εξαρτήματα.



- Θέστε προσεχτικά το μηχάνημα σε λειτουργία, σύμφωνα με τις οδηγίες και με τα πόδια σας μακριά από τα δόντια.

- Μη χρησιμοποιείτε το μηχάνημά σας στη βροχή και μην το αφήνετε να βραχεί. Αν είναι δυνατό, αποφεύγετε τη χρήση του μηχανήματος σε υγρό γκαζόν.
- Μην τραβάτε το κουρευτικό προς το σώμα σας και μην περπατάτε προς τα πίσω όταν κουρεύετε.
- Χρησιμοποιήστε το μηχάνημά σας στο φως της ημέρας ή σε καλά φωτισμένους χώρους.
- Μη διασχίζετε μονοπάτια με χαλίκια ή δρόμους όταν περιστρέφεται η λεπίδα.
- Μη διασχίζετε μονοπάτια από χαλίκι ή δρόμους κατά τη διάρκεια που περιστρέφονται τα δόντια.
- Εξασφαλίστε πάντα ότι στεκόσαστε σταθερά, ειδικά σε πλαγιές.
- Όταν κόβετε σε πλαγιές, κόψτε στα οριζόντια και όχι πάνω κάτω. Πρέπει να είσαστε πολύ προσεχτικός όταν αλλάζετε κατεύθυνση σε πλαγιές.
- Μην κόβετε σε υπερβολικά απότομες πλαγιές και φοράτε πάντα υποδήματα που δεν γλιστρούν.
- Μην τρέχετε ποτέ, απλώς περπατάτε. Μην πιέζετε υπερβολικά το μηχάνημα.
- Μη σηκώνετε και μη μεταφέρετε το μηχάνημά σας όταν περιστρέφεται ο κινητήρας. Εξασφαλίστε ότι τα δόντια έχουν σταματήσει να περιστρέφονται όταν σηκώνετε το μηχάνημά σας για μεταφορά.
- Όταν μεταφέρετε το μηχάνημά σας πρέπει να το σηκώνετε με μεγάλη προσοχή.
- Μη χρησιμοποιείτε το μηχάνημα με χαλασμένους προφυλακτήρες.

Συντήρηση και αποθήκευση

- Αποθηκεύστε το μηχάνημά σας σε ένα στεγνό χώρο και μακριά από παιδιά όταν δεν το χρησιμοποιείτε.
- Μη λειτουργείτε το μηχάνημά σας αν οποιοδήποτε από τα εξαρτήματα έχει βλάβη. Πετάξτε όλα τα χαλασμένα εξαρτήματα και αντικαταστήστε τα με νέα εξαρτήματα πριν τη χρήση.
- Μη χρησιμοποιείτε διαλυτικά ή καθαριστικά υγρά για να καθαρίσετε το μηχάνημά σας - χρησιμοποιήστε ένα





ΕΛΛΗΝΙΚΑ

Ξυστήρι για να αφαιρέσετε τα γρασιδία και άλλες ακαθαρσίες. Πρέπει πάντα να αποσυνδέετε το μηχάνημα από το ρεύμα πριν το καθαρίσετε.

- Διατηρήστε όλα τα παξιμάδια, μπουλόνια και βίδες σφιχτά για να είστε σίγουρος ότι το μηχάνημά σας βρίσκεται σε ασφαλή κατάσταση λειτουργίας.
- Χρησιμοποιήστε μόνο τα συνιστώμενα εξαρτήματα και αξεσουάρ της Black & Decker.

Η πολιτική της Black & Decker είναι για συνεχή βελτίωση των προϊόντων της και ως εκ τούτου επιφυλλάσει το δικαίωμα να αλλάξει τις προδιαγραφές των προϊόντων χωρίς καμία προειδοποίηση.

Διπλή μόνωση



Το μηχάνημά σας έχει διπλή μόνωση. Αυτό σημαίνει ότι όλα τα εξωτερικά μεταλλικά εξαρτήματα είναι μονωμένα από το ρεύμα. Αυτό επιτυγχάνεται με την τοποθέτηση ενός επιπρόσθετου μονωτικού στρώματος μεταξύ των ηλεκτρικών και των μηχανικών εξαρτημάτων. Η διπλή μόνωση σημαίνει μεγαλύτερη ηλεκτρική ασφάλεια και εξουδετερώνει την ανάγκη γείωσης του μηχανήματος.

Ηλεκτρική ασφάλεια

Σημείωμα: Μη συνδέετε ποτέ μία μπαλαντέζα κατ' ευθείαν στο μηχάνημά σας. Πηγαίνετε το μηχάνημά σας στο πλησιέστερο κέντρο σέρβις της Black & Decker.

Για μεγαλύτερη ασφάλεια, μπορεί ο ηλεκτρολόγος να εγκαταστήσει μία ειδική ασφάλεια των 30mA στην οικιακή καλωδίωση. Αν δεν έχετε εγκατεστημένη μία ειδική ασφάλεια αυτού του είδους ή δεν επιθυμείτε να την εγκαταστήσετε, σας συνιστούμε ότι το ρεύμα τροφοδοσίας του μηχανήματος πρέπει να περέχεται μέσω μίας συσκευής RCD (Συσκευή συνεχούς τάσης). Το RCD είναι σχεδιασμένο για την παροχή προσωπικής προστασίας εναντίον πιθανής ηλεκτροπληξίας σε περίπτωση βλάβης.



Προσοχή! Η χρήση ενός RCD ή (διακοπή παροχής) άλλου τύπου δεν απαλλάσσει το χρήστη του μηχανήματος από τις οδηγίες ασφαλείας και τις σωστές μεθόδους εργασίας που αναφέρονται σ' αυτό το εγχειρίδιο.

Χαρακτηριστικά (Εικ. Α)



Η αγορά του κουρευτικού της Black & Decker σας προσφέρει ένα προϊόν το οποίο συνδυάζει ποιότητα με σύγχρονο σχέδιο και με τα ακόλουθα χαρακτηριστικά για να προσφέρει ασφάλεια, αποδοτικότητα και ευκολία στο κούρεμα.

- Διακόπτης ασφάλειας με εμπλοκή για τον αποκλεισμό της κατά λάθος εκκίνησης του κουρευτικού.
- Φρένο λεπίδας για επιπρόσθετη ασφάλεια. Σταματάει την περιστροφή της λεπίδας εντός 3 δευτερολέπτων αφού ελευθερώσετε το μοχλό του διακόπτη.
- Μεγάλα παξιμάδια-πεταλούδες στη χειρολαβή για εύκολη συναρμολόγηση και αποθήκευση.
- 14 θέσεις ύψους κοπής παρέχουν ευελιξία για την αντιμετώπιση όλων των συνθηκών γρασιδιού.
- Το ύψος κοπής ρυθμίζεται εύκολα με την στροφή του περιστροφικού διακόπτη ρύθμισης του ύψους στην επιθυμητή τιμή. Με την περιστροφή του διακόπτη, και οι τέσσερις τροχοί ρυθμίζονται με μία κίνηση.
- Το κουρευτικό σας είναι εφοδιασμένο με τροχούς οι οποίοι στρέφονται κατά 360° για μέγιστη ευκολία στις μανούβρες και μπορείτε έτσι να κουρέψετε μέχρι και το άκρο του γκαζόν καθώς επίσης και γύρω από εμπόδια.
- Οι πίσω τροχοί μπορούν να εμπλακούν σε σταθερή θέση για να μπορείτε να κουρέψετε με ακρίβεια σε ευθεία γραμμή.
- Σκληρό και ανθεκτικό πλαστικό σώμα το οποίο δεν πρόκειται να σκουριάσει και συνεισφέρει στο χαμηλό θόρυβο και στη χαμηλή δόνηση.
- Ισχυρός και αποδοτικός κινητήρας επαγωγής, σας προσφέρει αποδοτικό κούρεμα και συλλογή στο κιβώτιο κάτω από λογικές συνθήκες καθώς επίσης και χαμηλό θόρυβο και χαμηλό επίπεδο συντήρησης.
- Εργονομικά σχεδιασμένη χειρολαβή



με κλήση προς τα επάνω για άνετη χρήση και για ευκολία στην ώθηση.

- Εύκολη αφαίρεση του κιβωτίου χόρτου.
- Πιάστρα καλωδίου βοηθάει να διατηρείται το καλώδιο εκτός κινδύνου και αποτρέπει το κατά λάθος τράβηγμα και αποσύνδεση του φιν.

Περιεχόμενα συσκευασίας

Η συσκευασία περιέχει:

- 1 Σώμα χλοοκοπτικής
- 1 Χειρολαβή (τρμερής)
- 1 Χορτοσυλλέκτης (διμερής)
- 1 Σύστημα συγκράτησης καλωδίου
- 1 Κλειδί / Ξύστρα
- 1 Κατσαβίδι
- 2 Πεταλούδες
- 2 Ροδέλες
- 2 Ροδέλες με διαμόρφωση
- 2 Βίδες άνω χειρολαβής
- 2 Βίδες κάτω χειρολαβής
- 5 Βίδες χορτοσυλλέκτη
- 2 Κλιπ καλωδίου
- 1 Οδηγίες χρήσης
 - Αφαιρέστε προσεκτικά από τη συσκευασία όλα τα κομμάτια.

Συναρμολόγηση της χειρολαβής

- Τοποθετήστε την χλοοκοπτική με τους τροχούς της να βρίσκονται σε στέρεα και επίπεδη επιφάνεια.

B1 • Εισάγετε τις μπάρες των χειρολαβών στα ανοίγματα, όπως εικονίζεται στην εικ. B1, έτσι ώστε η καμπύλη να τις διαπλάτυνει στο επάνω μέρος.

- Στερεώστε καθεμία από τις λαβές με μία βίδα και ροδέλα με διαμόρφωση όπως εικονίζεται. Σφίξτε καλά τη βίδα, χρησιμοποιώντας το παρεχόμενο κλειδί.

B2 • Σύρετε το σύστημα συγκράτησης καλωδίου επί της χειρολαβής με σχήμα U, κάτω από το μαύρο κιβώτιο διακοπών.

B3 • Τοποθετήστε την άνω λαβή σχήματος U στις ράβδους όπως απεικονίζεται.

B4 • Στερεώστε την επάνω λαβή με τις βίδες, τις ροδέλες και τις πεταλούδες όπως εικονίζεται.

- Στερεώστε τα καλώδια στη λαβή χρησιμοποιώντας τα παρεχόμενα κλιπ καλωδίου.



Μη χρησιμοποιείτε εργαλεία για να σφίξετε τις πεταλούδες.

Συναρμολόγηση του κιβωτίου χόρτου (Εικ. C)

Το κιβώτιο χόρτου παρέχεται σε δύο ήμισυ. Για να το συναρμολογήσετε συνεχίστε ως ακολούθως:

- C1** • Ευθυγραμμίστε τα δύο ημίσεια του χορτοσυλλέκτη, όπως εικονίζεται.
- Συνδέστε τα δύο ημίσεια με τις 5 βίδες, χρησιμοποιώντας το παρεχόμενο κατσαβίδι.
 - Πιέστε μαζί τα δύο ήμισυ για να εμπλακούν τα κλιπ.

Εφαρμογή του κιβωτίου στο κουρευτικό σας

- C2** • Σηκώνεται το ελαστικό πίσω έλασμα και το πάνω μέρος του κιβωτίου τοποθετείται πάνω στο πλαίσιο εφαρμογής.
- Τώρα ελευθερώνεται το πίσω έλασμα για να εμπλέξει το κιβώτιο στη θέση του.

Αφαίρεση του κιβωτίου από το κουρευτικό σας

Όταν το κιβώτιο είναι γεμάτο μπορείτε να το αφαιρέσετε σηκώνοντας το έλασμα και αφαιρώντας το κιβώτιο από το πλαίσιο εφαρμογής και τοποθετώντας το στο έδαφος. Ακολουθώντας μπορείτε να αφήσετε απαλά το έλασμα για να ελευθερώσετε τα χέρια σας και να σηκώσετε το γεμάτο κιβώτιο.

Πώς να χρησιμοποιείτε τη μηχανή σας (Εικόνα D)



Να τηρείτε όλες τις σχετικές προειδοποιήσεις όταν χρησιμοποιείτε τη μηχανή σας.

Συστήνουμε την κατευθυντήρια μέθοδο κοπής, για να έχετε την καλύτερη δυνατή απόδοση κοπής από τη μηχανή σας και για να μειώνεται ο κίνδυνος η προέκταση καλωδίου να μπαίνει στο δρόμο κοπής.

- D1** • Τοποθετήστε το μεγαλύτερο τμήμα του καλωδίου στο γκαζόν, κοντά στο σημείο αρχής.



ΕΛΛΗΝΙΚΑ

Για της εφαρμογή της πιάστρας του καλωδίου, συνεχίστε ως ακολούθως:

- Φέρτε το βίσμα της μπαλαντέζας από την πίσω πλευρά της μηχανής και τοποθετείστε το μέσα στη πρίζα.

- D2**
- Σχηματίστε μία θηλιά της μπαλαντέζας κοντά στην πιάστρα του καλωδίου.
 - Ωθήστε τον κύκλο του καλωδίου μέσω της εσοχής από την αντίθετη πλευρά του αγγίστρου κράτησης, τοποθετήστε τον κύκλο επάνω από το αγγίστρο και τραβήξτε το καλώδιο πίσω μέσα στην εσοχή. Το καλώδιό σας τώρα θα κρατηθεί.
 - Το καλώδιο που σας παρέχεται θα πρέπει να φύγει από τη μηχανή και πίσω από τον χειριστή, και είναι έτοιμο για χρήση.



Προσοχή! Μη δοκιμάζετε να λειτουργείτε τη μηχανή σας με το ένα χέρι - πρέπει να οδηγείτε τη μηχανή σας και με τα δυο σας χέρια.

- D3**
- Γείρετε τη χειρολαβή προς τα κάτω για να σηκώσετε λίγο το μπροστινό μέρος του κουρευτικού και να μειώσετε τον κίνδυνο καταστροφής του γκαζόν κατά την έναρξη λειτουργίας. Πιέστε το ασφαλιστικό κουμπί απεμπλοκής στο κιβώτιο του διακόπτη και ενώ το πιέζετε, σύρετε το μοχλό προς το σώμα σας. Το κουρευτικό σας θα τεθεί σε λειτουργία και μπορείτε να ελευθερώσετε το κουμπί απεμπλοκής. Χαμηλώστε το κουρευτικό σας στη σωστή θέση κουρέματος και αρχίστε το κούρεμα χρησιμοποιώντας και τα δύο χέρια σας για να καθοδηγήσετε το μηχάνημα.



- Αρχίστε να κουρεύετε την περιοχή κουρέματος όπως φαίνεται στην Εικόνα Δ1(a), αρχίζοντας από τη θέση 1 προς τη θέση 2 και, αφού φτάσετε στη θέση 2, στραφείτε στα δεξιά και συνεχίστε προς τη θέση 3. Συνεχίστε μέχρι το τέλος της περιοχής κουρέματος, στραφείτε προς τα αριστερά και συνεχίστε προς τη θέση 4. Συνεχίστε με τον ίδιο τρόπο όπως φαίνεται στην Εικόνα Δ1(a) κουρεύοντας πάντα μακριά από το καλώδιο. Μην υιοθετείτε τη μέθοδο που φαίνεται στην εικόνα D1(b), δουλεύοντας προς το καλώδιο, γιατί αυτό μπορεί να είναι επικίνδυνο.

- Εξασφαλίστε ότι το καλώδιο βρίσκεται σε κάποια απόσταση από το κουρευτικό όταν κουρεύετε γύρω από εμπόδια ή όταν κουρεύετε σε άκρα.

Σημείωμα: Το κουρευτικό σας είναι εφοδιασμένο με τροχούς οι οποίοι στρέφονται κατά 360° για μέγιστη ευκολία στις μανούβρες. Οι πίσω τροχοί μπορούν να εμπλακούν σε σταθερή θέση για να μπορείτε να κουρέψετε με ακρίβεια σε ευθεία γραμμή, ως ακολούθως:

- D4**
- Ωθήστε το κουρευτικό προς τα εμπρός μέχρι να στραφούν όλοι οι τροχοί προς το πίσω μέρος του κουρευτικού.
- D5**
- Σύρετε το μοχλό εμπλοκής στην αριστερή πλευρά του κουρευτικού μέχρι να εμπλακεί η κασάνια.
- D6**
- Για την απεμπλοκή των τροχών πιέστε το χερούλι απεμπλοκής προς τα εμπρός.
- D7**
- Σε περίπτωση που εμπλακεί πλήρως ο μοχλός στην κασάνια αλλά οι πίσω τροχοί δεν εμπλακούν στη θέση τους, ελευθερώστε το μοχλό, ξεβιδώστε τη ρύθμιση του συρματόσχοινου μία ολόκληρη στροφή και επαναλάβετε την εμπλοκή του μοχλού στην κασάνια. Επαναλάβετε τη διαδικασία μέχρι να εμπλακούν πλήρως οι τροχοί.

Το κουρευτικό σας θα συνεχίσει να λειτουργεί καθ' όσον πιέζετε το μοχλό του διακόπτη. Για να σταματήσετε το κουρευτικό σας ελευθερώστε το μοχλό του διακόπτη.

Όταν τελειώσετε με τη χρήση του κουρευτικού σας, συνιστούμε να καθαρίσετε όλες τις ακαθαρσίες πριν το αποθηκεύσετε. Βλέπετε το τμήμα περί 'Φροντίδας και συντήρησης'.

Σημείωμα: Για να επιτύχετε τα καλύτερα αποτελέσματα, κουρέψτε το γκαζόν ταχτικά και μην κουρεύετε όταν το γρασίδι είναι υγρό.

Όταν παρατηρείτε κομμένο γρασίδι να σκορπίζεται κάτω από το κουρευτικό κατά το κούρεμα, πιθανό να έχει γεμίσει το χορτοκιβώτιο και χρειάζεται άδειασμα.



Προστασία κατά της υπερφόρτωσης (μόνο GF1838)

Το GF1838 είναι εφοδιασμένο με εσωτερική προστασία κατά της υπερφόρτωσης και ο κινητήρας θα σταματήσει αν το μηχανήμα χρησιμοποιείται σε υπερβολικά υψηλό χόρτο με ρύθμιση χαμηλής κοπής ή όταν πιέζεται υπερβολικά μέσα σε υψηλό χόρτο. Σε περίπτωση που σταματήσει ο κινητήρας κάτω από τέτοιες συνθήκες, δεν υπάρχει βλάβη στο κουρευτικό. Θα πρέπει να παραμείνει εκτός λειτουργίας για 10 λεπτά για να κρυώσει και ακολούθως θα πρέπει σηκωθεί στα πλάγια και να λειτουργήσει χωρίς να κινείται για 1-2 λεπτά. Η ρύθμιση ύψους κοπής πρέπει να τεθεί στο μέγιστο και αφού κουρέψετε σ' αυτό το ύψος, μειώστε το ύψος κοπής.

Ευελιξία (Εικ. Ε)

Το κουρευτικό σας είναι εφοδιασμένο με τροχούς οι οποίοι στρέφονται κατά 360° και έτσι σας προσφέρει ευελιξία γύρω από κορμούς δέντρων και άλλα εμπόδια. Αυτό σας επιτρέπει επίσης και να κουρεύετε με ακρίβεια τις καμπύλες λεπτομέρειες του κήπου σας όπως τα παρτέρια.

Για μέγιστη ευελιξία ελευθερώστε το μηχανισμό εμπλοκής των πίσω τροχών σπρώχνοντας το χερούλι απεμπλοκής προς τα εμπρός.



Όταν κινείτε το κουρευτικό σας χρησιμοποιήστε πάντα την πιάστρα του καλώδιου και εξασφαλίστε ότι το καλώδιο βρίσκεται εκτός της περιοχής κουρέματος.

Εξασφαλίστε ότι οποιαδήποτε αντικείμενα που μπορεί να βρίσκονται στα άκρα (όπως π.χ. οι πέτρες) αφαιρούνται πριν από το κούρεμα.

Ρύθμιση ύψους κοπής (Εικ. F)



Προσοχή! Αποσυνδέστε το κουρευτικό σας από το ρεύμα και επιτρέψτε τη λεπίδα να σταματήσει πριν κάνετε οποιαδήποτε ρύθμιση. Οι λεπίδες είναι αιχμηρές.

F1

- Γυρίστε το μοχλό προς τα επάνω και κρατήστε τον με δύναμη.
- Χρησιμοποιώντας το μοχλό, περιστρέψτε το διακόπτη για να ρυθμίσετε το επιθυμητό ύψος κοπής.

- Γυρίστε το μοχλό στην αρχική θέση και πάλι, για να ασφαλίσετε το διακόπτη.

F2

- Για να επιτύχετε ριγυτό φινίρισμα στο γκαζόν σας, πρώτα σύρετε το καπάκι ριγώματος στη θέση του και εφαρμόστε το με τις 2 παρεχόμενες βίδες και ακολούθως ρυθμίστε το ύψος κοπής στο χαμηλό (μόνο HB).

Σημείωμα: Για ψηλό ή ανώμαλο γκαζόν (ειδικά κατά το πρώτο κούρεμα της σαιζόν), χρησιμοποιήστε πρώτα μία υψηλή θέση κουρέματος και τελειώστε με ένα δεύτερο κούρεμα στο επιθυμητό ύψος.

Συντήρηση των λεπίδων

Η ατσάλινη λεπίδα είναι σχεδιασμένη για να δίνει καλή κοπή σε μεγάλο ή σκληρο γρασίδι. Η λεπίδα θα συνεχίσει να κοβει κι όταν ακομη αμβλυνθεί ή βουίζει. Δεν χρειάζεται να κοβει σαν το ξυράφι.

Αν, ωστόσο, λόγω βλάβης ή φθοράς η αποδοση κοπής χειροτερεύει, τότε η θεριστική μπορεί να χρειάζεται καινούργια λεπίδα, ή τουλάχιστον η υφιστάμενη λεπίδα να χρειάζεται ακονισμα.

Συστήνουμε όπως, η ατσάλινη λεπίδα ακονισθεί ή να τοποθετηθεί καινούργια λεπίδα κατά την αρχή κάθε καινούργιας περιόδου.

Καινούργιες λεπίδες διατίθενται από τους αντιπροσώπους και τους Σταθμούς Υπηρεσίας της Black & Decker.

Εφαρμοζοντας νέες λεπίδες (Εικονα G)



Να παρακολουθείτε όλες τις σχετικές προειδοποιήσεις όταν χρησιμοποιείτε τη μηχανή σας.

Προσοχή! Αποσυνδέστε τη μηχανή σας από την ηλεκτρική παροχή προτού εφαρμόσετε το σύστημα πλαστικής λεπίδας ή όταν αλλάζετε την ατσάλινη λεπίδα.

Προχωρήστε ως εξής για την αλλαγή του συστήματος λεπίδας:

G

- Αναποδογυρίστε τη μηχανή σας στην πλευρά της, ούτως ώστε η κάτω πλευρά της βάσεως κοπής (εικονα Α) να εκτίθεται.
- Χρησιμοποιώντας ένα ύφασμα τοποθετημένο πάνω στη λεπίδα, ή γάντια βαριάς αποδοσης για να προστατεύουν τα χέρια σας, πιάστε



ΕΛΛΗΝΙΚΑ

τη λεπίδα και, χρησιμοποιώντας το βιδωτήρι που σας παρέχεται, χαλαρώστε και αφαιρέστε το περικοχλίο από το αδράκτι του κινητήρα. Γυρίστε το περικοχλίο σε αντι-ωρολογιακή κατεύθυνση για να χαλαρώσει.

- Μπορείτε τώρα να αντικαταστήσετε τη λεπίδα και να επανεφαρμόσετε τη ροδέλα και το μπουλόνι.

Σημείωση: Μερικές συσκευές εφαρμόζονται με ροδέλα συμπλέκτη (35) μεταξύ του παξιμαδιού της λεπίδας και της λεπίδας. Αυτό πρέπει να επανα-συναρμολογείται κάθε φορά.

Σημείωση: Μην αφαιρείτε το στροφείο του αεριωθητή για οποιονδήποτε λόγο.

Συμβουλές και οδηγίες

- Για μεγάλο γρασιδί, πάνω από 10εκ. (4 ίντσες), χρησιμοποιήστε δύο κοπές για να έχετε κοψιό φινίρισμα. Συστήνουμε όπως το πρώτο κόψιμο να γίνεται με την λεπίδα ρυθμισμένη στο μέγιστο ύψος κοπής και το δεύτερο κόψιμο να γίνεται με ρύθμιση μέτρια ή σε πολύ χαμηλή ρύθμιση. Αυτό θα αποβεί ευκολότερο και θα προσφέρει καλύτερο συνολικό φινίρισμα στο γρασιδί σας.

Φροντίδα και συντήρηση

Οι συμβουλές που δίνονται σε αυτό το κεφάλαιο καλύπτουν τη γενική φροντίδα και συντήρηση του κυρίου αμαξώματος της μηχανής σας. Συμβουλές σχετικά με τις λεπίδες δίνονται στο κεφάλαιο "Συντήρηση των λεπίδων".



Προσοχή! Μη χρησιμοποιείτε καλώδιο επέκτασης που δεν δείχνει σημάδια βλάβης. Εφαρμόστε ένα εντελώς καινούργιο καλώδιο - μην κάνετε τυχόν μονιμες ή προσωρινές επιδιορθώσεις.

- Διατηρήστε πάντα το κουρευτικό σας καθαρό και ελεύθερο από κομμένα γρασιδιά, ειδικά στο κάτω μέρος του πλαισίου, στη σχάρα εξαερισμού και στους τροχούς.
- Ελέγξτε όλα τα ηλεκτρικά καλώδια ταχτικά, κοιτάζοντας για σημάδια φθοράς, αποξέσης ή άλλης βλάβης.
- Στο τέλος κάθε περιόδου κοπής, σας συστήνουμε όπως η συσσώρευση γρασιδιού στο κάτω μέρος του καλύμματος του κοπτήρα αφαιρείται, χρησιμοποιώντας ένα μη κοφτερό αντικείμενο.

- Να καθαρίζετε όλα τα πλαστικά συστατικά με μουσκεμένο ύφασμα.

Προσοχή: Μη χρησιμοποιείτε διαλύματα ή υγρά καθαρίσματος, γιατί μπορούν να προκαλέσουν βλάβη στα πλαστικά συστατικά της μηχανής σας.

Εξεύρεση λαθών

Αν η μηχανή σας δεν λειτουργεί κανονικά, χρησιμοποιήστε τον ακόλουθο πίνακα για την εντοπισή του προβλήματος.



Προσοχή! Πάντοτε να αποσυνδέετε τη μηχανή σας από την ηλεκτρική παροχή προτού εκτελέσετε οποιονδήποτε επιθεώρηση.

Συμπτώματα	Πιθανή αιτία	Επανορθωση
Ο κινητήρας βουίζει αλλά δεν κινείται η λεπίδα.	Έμφραγμα λεπίδας.	Αποσυνδέστε από την ηλεκτρική παροχή. Αφαιρέστε το εμπόδιο από την λεπίδα.
Κανείς θορυβος και η λεπίδα δεν κινείται.	Λανθασμένη ηλεκτρική σύνδεση.	Αποσυνδέστε από την ηλεκτρική παροχή. Τοποθετήστε τη μηχανή σας σε εναλλακτική προσβατή ηλεκτρική παροχή. Εφαρμόστε μια καινούργια.
Κανείς θορυβος και η λεπίδα δεν κινείται.	Λανθασμένη ηλεκτρική σύνδεση.	Ξανα-σφίξτε και ελέγξτε όλες τις ηλεκτρικές συνδέσεις στα καλώδια επέκτασης. Ξανα-ρυθμίστε το RCD σύμφωνα με τις οδηγίες.
Δεν υπάρχει θόρυβος και η λεπίδα δεν κινείται	Μόνο GF1838 Ενεργοποίηση της προστασίας υπερφόρτωσης	Βλέπετε το τμήμα σχετικά με την προστασία υπερφόρτωσης

Προστασία του περιβάλλοντος



Η Black & Decker δίνει τη δυνατότητα ανακύκλωσης των προϊόντων της που έχουν συμπληρώσει τη διάρκεια ζωής τους. Η υπηρεσία αυτή είναι δωρεάν. Αν θέλετε να χρησιμοποιήσετε την εν λόγω υπηρεσία, επιστρέψτε το προϊόν σας σε οποιοδήποτε εξουσιοδοτημένο κέντρο επισκευών, όπου θα το παραλάβουν εκ μέρους σας.



Ενημερωθείτε για το πλησιέστερο κέντρο επισκευών της περιοχής σας, επικοινωνώντας με τα γραφεία της Black & Decker στη διεύθυνση που αναγράφεται στο εγχειρίδιο. Επίσης, για να πληροφορηθείτε τα εξουσιοδοτημένα κέντρα επισκευών της Black & Decker και τις λεπτομέρειες και τους αρμόδιους των υπηρεσιών που παρέχονται μετά την πώληση, μπορείτε να ανατρέξετε στο Διαδίκτυο στη διεύθυνση: www.2helpU.com.

Εγγύηση

Η Black & Decker είναι σίγουρη για την ποιότητα των προϊόντων της και παρέχει σημαντική εγγύηση. Η παρούσα γραπτή εγγύηση αποτελεί πρόσθετο δικαίωμά σας και δεν ζημιώνει τα συνταγματικά σας δικαιώματα. Η εγγύηση ισχύει εντός της επικράτειας των Κρατών Μελών της Ευρωπαϊκής Ένωσης και της Ευρωπαϊκής Ζώνης Ελευθέρων Συναλλαγών.

Σε περίπτωση που κάποιο προϊόν της Black & Decker παρουσιάσει βλάβη εξαιτίας ελαττωματικών υλικών, ποιότητας εργασίας ή έλλειψης συμφωνίας με τις προδιαγραφές εντός 24 μηνών από την ημερομηνία αγοράς, η Black & Decker εγγυάται την αντικατάσταση των ελαττωματικών τμημάτων, την επισκευή προϊόντων που έχουν υποστεί εύλογη φθορά λόγω χρήσης ή την αντικατάσταση των προϊόντων προκειμένου να εξασφαλίσει την ελάχιστη ενόχληση στους πελάτες της, εκτός αν:

- Το προϊόν έχει χρησιμοποιηθεί σε εργασιακό, επαγγελματικό περιβάλλον ή αν έχει ενοικιαστεί
- Έχει γίνει εσφαλμένη χρήση του προϊόντος ή αν έχει παραμεληθεί
- Το προϊόν έχει υποστεί βλάβη από άλλα αντικείμενα, από ουσίες ή λόγω ατυχήματος
- Έχει γίνει προσπάθεια επισκευής από μη εξουσιοδοτημένα κέντρα επισκευών ή από προσωπικό που δεν ανήκει στο προσωπικό της Black & Decker

Για να ισχύσει η εγγύηση, πρέπει να υποβάλετε απόδειξη αγοράς στον πωλητή ή το εξουσιοδοτημένο κέντρο επισκευών. Ενημερωθείτε για το πλησιέστερο κέντρο επισκευών της περιοχής σας, επικοινωνώντας με τα γραφεία της Black & Decker στη διεύθυνση που αναγράφεται στο εγχειρίδιο. Επίσης, για να πληροφορηθείτε τα εξουσιοδοτημένα κέντρα επισκευών της Black & Decker και τις λεπτομέρειες και τους αρμόδιους των υπηρεσιών που παρέχονται μετά την πώληση, μπορείτε να ανατρέξετε στο Διαδίκτυο στη διεύθυνση: www.2helpU.com.

Άλλα εργαλεία κήπου

Η Black & Decker διαθέτει μία πλήρη σειρά εργαλείων κήπου, τα οποία διευκολύνουν την εργασία σας στον κήπο. Για περισσότερες πληροφορίες σχετικά με τα προϊόντα που αναφέρονται παρακάτω, επικοινωνήστε με το Κέντρο Εξυπηρέτησης και Πληροφόρησης (στη διεύθυνση που αναφέρεται προς το τέλος αυτών των οδηγιών χρήσης) ή με το πλησιέστερο εξουσιοδοτημένο κατάστημα της Black & Decker.

Μηχανές φινιρίσματος χόρτου

Αλυσοπρίονα

Φορτιζόμενα ψαλίδια

Χλοοκοπτικές μηχανές

Απορροφητήρας/Φυσητήρας φύλλων

Σπαστήρας φύλλων/κλαδιών

Δεν είναι όλα τα προϊόντα διαθέσιμα σε όλες τις χώρες.

Δηλώση συμμορφωσης ΕΚ

GF834/GF934/GF1034/GF1234/GF1438/GF1838

Black & Decker δηλώνει ότι αυτά τα ηλεκτρικά εργαλεία σχεδιάστηκαν σύμφωνα με:

98/37/CEE, 89/336/CEE, 73/23/CEE,
EN 55014, EN 60335, EN 61000,

2000/14/EC, Χλοοκοπτική μηχανή, L ≤ 50 cm,
Annex VIII, No. 0086

B.S.I., HP2 4SQ, Ηνωμένο Βασίλειο

Ανώτατο όριο ηχητικής πίεσης, μέτρηση κατά 2000/14/CEE:

L_{PA}	(ηχητική πίεση)	dB(A)	79
L_{WA}	(ακουστική δύναμη)	dB(A)	93
L_{WA}	(εγγυημένο προϊόν)	dB(A)	96

Ο σταθμισμένος τετραγωνικός μέσος όρος επιτάχυνσης κατά EN 50144: < 2,5 m/s²

Brian Cooke

Διευθυντής μηχανολογίας
Spennymoor, County Durham DL16 6JG,
United Kingdom
1-12-2001



Roterende plæneklipper

Brugsanvisning

Med Deres køb af en snoret plæneklipper fra Black & Decker.

Brugerhåndbogen indeholder vigtige instruktioner angående betjening og vedligeholdelse af alle maskiner i serien over 4 x 4 snorede plæneklippere fra Black & Decker.

Lær din maskine at kende



Læs hele brugsanvisningen nøje og observer alle sikkerhedsinformationer før og efter brug af maskinen. Hold altid maskinen i god stand.



Gør dig bekendt med maskinens funktioner inden anvendelse. Vær specielt omhyggelig med at du ved hvordan man standser maskinen inden den tages i anvendelse.

Opbevar brugsanvisningen til fremtidig brug.

Sikkerhedsinstruktioner

Lær maskinens funktioner at kende før den anvendes. Specielt vigtigt er det at du ved hvordan maskinen standses i en nødsituation.

Træning

- Børn eller personer, som ikke har kendskab til dens type maskiner, og som ikke har læst brugsanvisningen, bør ikke benytte maskinen.



Sørg for at der ikke er børn, dyr eller andre voksne i nærheden, når du arbejder med maskinen - de skal altid være mindst 6 meter fra arbejdsområdet.

- Husk på at operatøren/brugeren er ansvarlig for ulykker eller farer for andre mennesker eller deres ejendomme.
- Maskinen skal tilsluttes elforsyningen - aldrig en stikkontakt.
- Inden justering, rengøring, eller hvis ledningen er snoet eller skadet, skal strømmen slukkes og stikket tages ud af stikkontakten. Slåmaskinen må ikke bæres ved ledningen og der må ikke trækkes i ledningen for at skille stikforbindelserne ad. Hold kablet væk fra varmekilder, olier eller skarpe kanter. Kontrollér kablets tilstand inden brug; det må ikke bruges hvis det er defekt.



Forberedelse

- For at beskytte dine fødder, bør du altid bruge solide sko eller støvler - friskslået græs er vådt og glat.



- Maskinen må ikke betjenes, hvis du har bare fødder eller åbne sandaler på.
- Ledningen må aldrig komme i nærheden af rivevalsen. Sørg for hele tiden at holde øje med den. Kontrollér ledningen regelmæssigt. Brug aldrig en beskadiget ledning.



- Sørg altid for at maskinen befinder sig en god og sikker driftstilstand.
- Før maskinen tilsluttes strøm, kontrolleres at kniven og de roterende dele er uden skader. Defekte knive og slidte bolte kan anrette store skader. Kontrollér også at kniven er spændt godt fast. Check alle skruer og bolte med jævne mellemrum.
- Sørg for at det område, som skal luftes, er renset for grene, sten, ståltråd og andet, der kan beskadige maskinen. Kontakt med sådanne efterladenskaber kan være farlig eller kan skade din maskine, samt kan blive kastet af rivevalsen.

Betjening

- Ved start løft maskinen lidt bagud.
- Sørg altid for at have begge hænder i betjeningsstilling, samt at fødderne er i god afstand fra rivevalsen, inden maskinen igen sættes på jorden.



Maskinen fortsætter med at rotere et kort stykke tid efter du har slukket for den. Lad altid maskinen standse selv.

- For at slukke maskinen, slippes afbryderstangen og stikket tages ud af kontakten:
 - Når du efterlader maskinen uden opsyn.
 - Inden den checkes, renses eller justeres rivevalsen.
 - Inden der fjernes en blokering.
 - Hvis maskinen begynder at vibrere unormalt (check øjeblikkeligt).
 - Efter at have stødt på en fremmed genstand. Maskinen checkes for skade, og udfør nødvendige reparationer.
- Maskinen må ikke startes hvis den ligger på siden - der må heller ikke gøres forsøg på at stoppe rivevalsen - den skal have lov at standse selv.
- Hænder eller fødder må ikke komme i nærheden eller under de roterende dele.



- Maskinen må ikke bruges i regnvejr, og den må ikke blive våd. Undgå så vidt muligt at bruge den, hvis græsset er vådt.
- Maskinen bør kun bruges ved dagslys eller ved tilstrækkelig kunstig belysning.
- De må ikke trække maskinen mod Dem eller gå baglæns mens den bevæger sig.
- Der må ikke køres over grusbelagte stier mens klingerne roterer.
- Gå ikke over grusgange eller veje medens roterende knive.
- Du skal altid have et godt fodfæste, specielt når der arbejdes på skråninger.
- Der skal altid slås tværs over skrånningens overflade, aldrig op- eller nedad. Der skal udvises ekstrem forsigtighed når der ændres retning på skrånningen.
- Der må ikke slås på meget stejle skråninger, og der skal bæres skridsikkert fodtøj.
- Der må ikke slås med løbende gang, brug gågang. Maskinen må ikke tvinges.
- Maskinen må ikke samles op eller bæres medens maskinen kører. Sørg for at knivene er stoppet, når maskinen skal løftes ved transport.
- Når maskinen transporteres, skal der udvises forsigtighed ved løftning.
- Maskinen må aldrig betjenes med defekte sikkerhedsskærme eller afskærmninger.

Vedligeholdelse og opbevaring

- Når maskinen ikke bruges, skal den opbevares på et tørt sted og udenfor børns rækkevidde.
- Maskinen må ikke betjenes, hvis nogle af delene er defekte; alle defekte dele skal kasseres og der skal monteres nye, inden den tages i brug.
- Der må ikke bruges opløsnings- eller rensningsmidler til rengøring af din maskine - brug en sløv skraber til at fjerne græs og snavs. Inden rengøring skal maskinen frakobles elforsyningen.
- For at sikre at din maskine befinder sig i en sikker driftstilstand, skal alle motorkræfter, bolte og skruer holdes stramme.
- Brug kun de af Black & Decker anbefalede reservedele og tilbehør.

Dobbeltisolering



Din maskine er dobbeltisoleret. Dette betyder at de eksterne metaldele er elektrisk isoleret fra elforsyningen. Dette er opnået ved at placere en ekstra isoleringsbarriere mellem de elektriske og mekaniske dele. Dobbeltisolering betyder større sikkerhed,

samt udelukker nødvendigheden for at have jord-forbindelse til maskinen.

Funktioner (Fig. A.)

A

Ved at købe en plæneklipper fra Black & Decker får De et produkt der kombinerer kvalitet med moderne design. Følgende funktioner sørger for sikker, effektiv og let klipning af plænen.

- Låsbar sikkerhedsafbryder for at hindre plæneklipperen i at starte tilfældigt.
- En klingebræmme for yderligere sikkerhed. Stopper klingens rotation indenfor 3 sekunder efter afbryderkassens stang slippes.
- Store fløjmotorkræfter på håndtaget for lettere montering og opbevaring.
- 14 højdeskærepositioner, der giver fleksibilitet til at klare de fleste plæneforhold.
- Klippehøjden justeres let ved at dreje håndtaget til den ønskede indstilling. Alle fire hjul justeres på én gang ved at dreje håndtaget.
- Plæneklipperen har roterende hjul på 360° for maksimal bevægelighed af hjulene, hvorved der både kan klippes helt op til plænenes kant og udenom forhindringer.
- For at opnå en helt lige skærelinie kan baghjulene låses.
- Stærk og solid overdækning af plastik, der ikke rustner samt giver lav støj og vibration.
- Kraftig og effektiv induktionsmotor, der giver effektiv skæring og sækkedyldning under alle rimelige forhold, samt både lavt støvniveau og lav vedligeholdelse.
- Håndtaget er et ergonomisk opadgående design og dette letter betjeningen og fremdriften.
- Græsboxen er let at fjerne.
- Kabelholderen holder kablet af vejen og hindrer kabelstikket i at blive trukket ud og afbrudt ved et uheld.

Kassens indhold

Kassen indeholder følgende:

- 1 Plæneklipperens karosseri
- 1 Greb (3 dele)
- 1 Græsbox (2 dele)
- 1 Kabelfastspænding
- 1 Værktøj til fastspænding / rengøring
- 1 Skruetrækker
- 2 Fløjmotorkræfter



DANMARK

- 2 Spændeskiver
- 2 Formede spændeskiver
- 2 Bolte til øvre greb
- 2 Bolte til nedre greb
- 5 Skruer til græsboxs
- 2 Kabelklemmer
- 1 Brugsvejledning

- Pak forsigtigt alle dele ud.

Montering af grebet

- Anbring plæneklipperen med hjulene på en fast og vandret overflade.
- B1**
- Indsæt grebets stænger i åbningerne som vist i fig. B1, således at kurven gør dem bredere i toppen.
 - Fastgør hver stang med en bolt og en formet spændeskive som vist. Fastspænd boltene sikkert med vedlagte skruer og nøgle.
- B2**
- Skub kabelfastspændingen på det U-formede greb under den sorte afbryderdåse.
- B3**
- Anbring det U-formede øvre håndgrebskæft på skafterne som vist.
- B4**
- Fastgør det øvre håndgrebskæft ved hjælp af boltene, spændeskiverne og fløjmotrikkerne som vist.
 - Fastgør kablerne til håndtaget ved hjælp af vedlagte kabelklemmer.



Brug ikke værktøjer til at fastspænde fløjmotrikkerne med.

Montering af græsboksen (Fig. C)

Græsboksen leveres i to halvdele. For at montere den, fortsættes der som følger:

- C1**
- Justér græsboxens to halvdele som vist.
 - Sæt de to halvdele sammen med de 5 skruer ved hjælp af medfølgende skruetrækker.
 - Skub dem sammen for at bringe klemmerne i indgreb.

Montering af græsboksen på plæneklipperen:

- C2**
- Den fjederbelastede bagklap løftes og toppen af græsboksen anbringes over monteringen.
 - Nu kan bagklappen slippes for at fastlåse græsboksen i position.

Sådan fjernes græsboksen fra plæneklipperen:

Den fulde græsboxs kan fjernes ved at hæve græsklappen, samt ved at frigøre græsboksen fra monteringen og ved at lægge den på plænen. Græsklappen kan sænkes forsigtigt for at holde begge hænder fri til at løfte den fulde græsopsamlingskasse.

Anvendelse af maskinen (Fig. D)



Observer alle relevante advarselsinstruktioner når maskinen anvendes.

Den enkleste måde at klippe uden at ledningen kommer i vejen er, at klippe frem og tilbage henover plænen væk fra ledningen, se anvisning længere fremme.

D1

- Placer størstedelen af det strømførende kabel på plænen i nærheden af begyndelsesstedet.

For at sætte kablet fast på holderen, fortsættes der som følger:

- Tilslut forlængerledningen til plæneklipperens stik.
- Lav en løkke på forlængerkablet tæt på kabeholderen.
- Før løkken gennem åbningen i strømafbryderen fra modsat side af kroge. Læg løkken rundt om kroge og stram til. Ledningen er nu fastgjort.

D2

- Forlængerledningen skal nu falde væk fra plæneklipperen og bagved brugeren. Det er nu klart til klipning.



Advarsel! Forsøg aldrig at køre plæneklipperen med én hånd - brug altid to hænder.

D3

- Håndtaget vippe lidt nedad for at hæve slåmaskinens forside, samt for at reducere risikoen for at plænen beskadiges under start. Tryk på afbryderkassens sikkerhedslåseknop, og mens den holdes nede trækkes løftestangen mod Dem. Slåmaskinen starter, hvorefter De kan slippe sikkerhedsknappen. Sænk slåmaskinen til dens korrekte slåstilling og slå græsset. De skal bruge begge hænder til at føre maskinen.



- Fortsæt langs med slåområdet som vist i Fig. D1(a); dette gøres ved at arbejde fra 1. position mod 2. position og når 2. position er nået drejes der til højre, hvorefter der fortsættes mod 3. position.



Fortsæt til slutningen af slåområdet, drej til venstre og fortsæt mod 4. position. Fortsæt på samme måde som vist i Fig. D1(a); De bør altid arbejde væk fra kablet. Brug ikke metoden som vist i Fig. D1(b), dvs. klip ikke mod ledningen.

- Når der klippes kanter eller der manøvreres rundt om forhindringer, skal det sikres at kablet ikke befinder sig i nærheden af plæneklipperen.

Bemærk: Plæneklipperen har roterende hjul på 360° for maksimal bevægelighed. Baghjulene kan låses i position for lige og præcis klipning som følger:

- D4 • Skub plæneklipperen fremad indtil alle hjulene roterer mod plæneklipperens bagside.
- D5 • Træk i låsestangen på venstre side af plæneklipperen, indtil klinken går i indgreb.
- D6 • For at låse hjulene op, skubbes udløserhåndtaget fremad.
- D7 • Hvis stangen går helt i indgreb på klinken, uden at baghjulene låses i position, skal stangen slippes og kablet skrues af ved at justere med én omdrejning, samt ved at bringe stangen og klinken i indgreb igen. Dette gentages indtil hjulene låses helt i position.

Plæneklipperen virker fortsat mens der trækkes i afbryderstangen. Slip afbryderstangen for at stoppe plæneklipperen.

Når du er færdig med at bruge græsklipperen, anbefales det at al snavs og efterladenskaber fjernes inden den sættes væk. Der henvises til afsnittet om 'Pleje og vedligeholdelse'.

Bemærk: For at opnå de bedste resultater, bør græsset slås med jævne mellemrum; græsset bør ikke slås hvis det er vådt.

Hvis De under slåningen bemærker at græsset falder ud under maskinen er græsopsamlingsboksen sikkert fuld og bør tømmes.

Beskyttelsesanordning mod overbelastning (kun for GF1838)

Model GF1838 er udstyret med en intern beskyttelsesanordning mod overbelastning; denne anordning slukker motoren hvis maskinen anvendes til slåning af meget langt græs ved en lav skærehøjde, eller hvis den bliver tvunget ned i langt græs. Hvis motoren stopper på grund af førnævnte forhold er der ikke noget galt med slåmaskinen. Den skal have lov til at køle af i 10 minutter, hvorefter den sættes lidt på skrå og køres uden at slå i mellem 1 og 2 minutter. Skærehøjden bør sættes på maksimal og efter slåning ved denne højde, skal den reduceres til det ønskede niveau.

Manøvreringsdygtighed (Fig. E)

Plæneklipperen har fuldstændigt roterende hjul og er som sådan istand til at bevæge sig rundt om træer og andre genstande. Plæneklipperen kan også bevæges rundt om kurvede steder i haven, som for eksempel blomsterbed.

For maksimal manøvreedygtighed slippes baghjulenes låsemekanisme ved at skubbe udløserhåndtaget fremad.



Når plæneklipperen manøvreres, skal kabelholderen altid benyttes. Sørg altid for at kablet ikke sidder i vejen hvor der slås græs.

Justering af skærehøjden (Fig. F)



Advarsel! Inden der udføres nogen form for justering, skal plæneklipperen afbrydes fra elforsyningen, og klingerne skal have tid til at stoppe roteringen: skæreklingerne er skarpe.

F1

- Smæk vippearmen udefter og hold den fast.
- Drej knappen ved hjælp af vippearmen for at indstille den ønskede klippehøjde.
- Smæk vippearmen tilbage for at låse knappen.

F2

- For at få stribeeffekter på plænen, skubbes stribeklappen først i position, hvorefter den fastgøres med de 2 medfølgende skruer. Derefter justeres skærehøjden til en lav position (kun for UK).

Bemærk: Hvis græsset er langt eller ujævnt i højde (specielt den første årlige klipning), bør der først klippes med en høj indstilling, hvorefter der klippes endnu engang i ønskede højde.

Vedligeholdelse af metalkniven

Metalkniven er designet til at give en fin finish i langt og sejt græs. Den vil fortsætte med at skære også når den er stump eller har fået enkelte grater af stenslag. Den behøver ikke nødvendigvis at være knivskarp. Den kan imidlertid blive så sløv og fyldt med grater at det er nødvendigt at udskifte den eller slibe den op.

Vi anbefaler at kniven slibes eller udskiftes ved begyndelsen af hver sæson. Se ovenfor under "Udskiftning af kniven".

Nye knive fås hos din Black & Decker forhandler eller serviceværksted.



Advarsel! Kniven må kun udskiftes med en Black & Decker original kniv, som passer til maskinen. Forsøg ikke at passe andre knive til, da dette kan indebære en alvorlig sikkerhedsrisiko.



Udskiftning af kniven (Fig. G)



Træk stikket ud af kontakten før kniven udskiftes.



- Vend maskinen om på siden, så undersiden af knivdækslet bliver synligt.
- Placer en klud over kniven eller brug kraftige handsker til at beskytte hænderne. Grib om kniven med den ene hånd og løs bolten med den medfølgende ringnøgle. Drej bolten i retning mod uret for at løsne den.

Bemærk! Nogle modeller er forsynet med en spændeskivemellem bolten og kniven. Denne spændeskive skal altid sidde på maskinen og være med til at sikre at bolten og kniven sidder sikkert fast.

- Klinge kan derefter udskiftes og pakskiven og bolten kan samles igen.

Obs! Tag aldrig flangen af.

Obs! Nogle modeller har en skive mellem bolten og kniven. Skiven skal altid være monteret på maskinen for at sikre at bolten og kniven sidder ordentligt fast.

Brugertips

- Når græsset er over 10cm højt, klippes græsset to gange. Første gang med max. klippehøjde og næste gang med mellem eller lav højde. Det giver en stærkere og finere græsplæne.

Vedligeholdelse

- Plæneklipperen skal altid holdes ren og fri for græsstumper; dette gælder specielt undersiden af skæreområdet overdækning, luftafløbet og hjulene.
- Kontroller regelmæssigt de elektriske ledninger. Undersøg om der er slitage, afskrabninger eller andre skader.



Advarsel! Brug ikke forlængerledninger, som er skadede eller ser ud til at være skadede. Skift den ud med en som er i orden.

- Ved hver sæsons slutning anbefaler vi at alt indtørret græs under knivdækslet fjernes med en blød skraber (plast).

Obs: Brug ikke stærke rengøringsmidler eller kemikalier, da dette kan skade plænen.

- Rens alle plastdele med en klud opvredet i mildt sæbevand.
- Maskinen må ikke oversprøjtes med eller dypes i vand.
- Maskinen er udstyret med selvsmørende lejer og skal ikke smøres.
- Erstatningskniv A6177 findes som tilbehør.

DANMARK

Fejlfinding

Hvis maskinen ikke fungerer tilfredsstillende, forsøg da at finde og afhjælpe fejlen ved at gennemgå nedenstående tabel.



Advarsel! Træk stikket ud af kontakten før undersøgelse af maskinen påbegyndes.

Symptom	Mulig fejl	Reparation
Motoren går men kniven står stille.	Kniven er i klemme.	Sluk for strømmen og fjern evt. genstande fra kniven.
Ingen lyd, og kniven roterer ikke.	Fejl i det elektriske system.	Afbryd strømmen. Prøv en anden stik-kontakt. Skift sikringer. Kontroller alle tilslutninger på forlængerledningen.
Ingen støj og klinger bevæger sig ikke.	Kun for GF1838 Beskyttelsesansordningen mod overbelastning er aktiveret.	Se afsnittet om beskyttelsesansordning mod overbelastning.

Miljø



Når dit værktøj er udtjent, beskyt da naturen ved ikke at smide det ud sammen med det almindelige affald. Aflever det til de opsamlingssteder, der findes i din kommune eller der hvor du købte værktøjet.

Garanti

Black & Decker garanterer, at produktet er fri for materielle skader og/eller fabrikations- fejl ved levering til kunden. Garantien er et tillæg til konsumentens lovlige rettigheder og påvirker ikke disse. Garantien gælder indenfor medlemsstaterne af den Europæiske Union og i det Europæiske Frihandelsområde.

Hvis et Black & Decker produkt går i stykker på grund af materiel skade og/eller fabrikationsfejl eller på anden måde ikke fungerer i overensstemmelse med specifikationen, inden for 24 måneder fra købsdatoen, påtager Black & Decker sig at reparere eller ombytte produktet med mindst muligt besvær for kunden.



Garantien gælder ikke for fejl og mangler, der er sket i forbindelse med:

- normal slitage
- uheldige følger efter unormal anvendelse af værktøjet
- overbelastning, hærværk eller overdrevent intensivt brug af værktøjet
- ulykkeshændelse

Garantien gælder ikke hvis reparationer er udført af nogen anden end et autoriseret Black & Decker værksted.

For at udnytte garantien skal produktet og købskvitteringen indleveres til forhandleren eller til et autoriseret værksted, senest 2 måneder efter at fejlen opdages. For information om nærmeste autoriserede værksted: kontakt det lokale Black & Decker kontor på den adresse som er opgivet i brugsanvisningen. Liste over alle autoriserede Black & Decker serviceværksteder samt servicevilkår er tilgængelig på internettet, på adressen www.2helpU.com.

Reserve dele / reparationer

Reserve dele kan købes hos autoriserede Black & Decker serviceværksteder, som giver forslag til omkostninger og reparerer vore produkter. Oversigt over vore autoriserede værksteder findes på internettet på vor hjemmeside www.blackdecker.dk samt www.2helpU.com.

Andet haveværktøj

Black & Decker har et stort sortiment af haveværktøj, som gør havearbejdet let. Hvis De ønsker yderligere information omkring vore produkter, bedes De sætte Dem i kontakt med vore Service- og informationscentre, eller sæt Dem i forbindelse med Deres lokale Black & Decker forhandler.

Græstrimmere
Kædesave
Hækkeklippere
Beskærersakse
Plæneklippere
Løvsugere
Kompostkværne

En del af produkterne findes ikke i alle lande.

EU-overensstemmelseserklæring

GF834/GF934/GF1034/GF1234/GF1438/GF1838

Black & Decker erklærer at disse værktøjer er konstrueret i henhold til:

98/37/EØF, 89/336/EØF, 73/23/EØF,
EN 55014, EN 60335, EN 61000,

2000/14/EØF, plæneklipper, L ≤ 50 cm,
Annex VIII, No. 0086

B.S.I., HP2 4SQ, United Kingdom

Lydniveauet målt i henhold til 2000/14/EØF:

L_{PA}	(lydniveau)	dB(A)	79
L_{WA}	(akustisk styrke)	dB(A)	93
L_{WA}	(garanteret)	dB(A)	96

Den vægtede geometriske middelværdi af accelerationsfrekvensen i henhold til EN 50144:
< 2,5 m/s²

Brian Cooke

Director of Engineering
Spennymoor, County Durham DL16 6JG,
United Kingdom
1-12-2001



Ruohonleikkuri

Käyttöohje

Viktigt!

Ostamasi Black & Deckerin sähköruohonleikkurin ansiosta. Tässä käyttöoppaassa on tärkeitä kaikkia Black & Deckerin 4x4-sähköruohonleikkureiden käyttöä ja kunnossapitoa koskevia ohjeita.

Opettele käyttämään ruohonleikkuriasi



Lue käyttöohjeet huolellisesti ja noudata kaikkia turvallisuusohjeita ennen leikkuuta, sen aikana ja sen jälkeen. Huolehdi, että ruohonleikkurisi on aina hyvässä käyttökunnossa.

Tutustu kaikkiin säätimiin ennen leikkurin käyttöönottoa. Varmista, että osaat sammuttaa leikkurin ennen kuin käynnistät sen.

Säilytä käyttöohje.

Tärkeitä turvallisuusohjeita

Koulutus

- Älä koskaan anna lasten tai sellaisten henkilöiden, jotka eivät ole tottuneet käyttämään tällaista konetta tai eivät ole lukeneet tätä käyttöohjetta käyttää konetta.



Varmista ettei lapsia, kotieläimiä tai aikuisia ole lähetyvillä koneella työskennellessäsi. Turvaetäisyys 6m.

- Muista, että konetta käyttävä henkilö on vastuussa muihin ihmisiin tai heidän omaisuuteensa kohdistuvista vahingoista.
- Tämä kone on suunniteltu liitettäväksi ainoastaan vaihtovirtalähteeseen - älä käytä mitään muuta virtalähettä.
- Sammuta kone ja irrota pistoke virtalähteestä, ennen kuin ryhdyt säätämään tai puhdistamaan konetta tai jos johto on sotkussa tai vahingoittunut. Älä koskaan kannu ruohonleikkuria johdosta, äläkä irrota pitoketta pistorasiasta johdosta vetämällä. Pidä johto poissa lämmönlähteiden, öljyn ja terävien särmien läheisyydestä. Tarkista johdon kunto ennen käyttöä äläkä käytä konetta, jos se on vahingoittunut.



Valmistelut

- Suojaa jalkojasi käyttämällä tukevia kenkiä tai saappaita - vastaleikattu ruoho on kosteaa ja liukasta.
- Älä käytä konetta paljain jaloin tai

sandaalit jalassa.

- Käytä pitkiä housuja jalkoja suojataksesi. Koneesta voi singota nurmikolla olevia esineitä.
- Huolehdi siitä, ettei johto milloinkaan joutu terän läheisyyteen. Huolehdi johdosta koko työskentelyn ajan. Tarkista johto säännöllisesti. Älä koskaan käytä viallista johtoa.
- Varmista aina, että koneesi on turvallisessa käyttökunnossa.
- Ennen kuin laitat pistokkeen virtalähteeseen tarkista, että terä ja muut pyörivät osat ovat hyvässä kunnossa. Viallinen terä ja kuluneet pultit voivat aiheuttaa vahinkoja. Tarkista, että terä on kunnolla kiinni.
- Huolehdi siitä, ettei työskentelyalueella ole risuja, kiviä, rautalankaa yms. Nämä voivat vaurioittaa konetta ja saattavat singota terästä.
- Käytä ainoastaan ulkokäyttöön hyväksyttyä jatkojohtoa.



Käyttö

- Käynnistäessäsi koneen kallista sitä hiukan taaksepäin.
- Pidä molemmin käsin kiinni työntökahvasta ja varmista, että jalkasi ovat kaukana terästä, ennen kuin käynnistät koneen.
- Terä jatkaa pyörimistä jonkin aikaa sen jälkeen kun kone on pysäytetty. Anna sen pysähtyä itsestään.
- Sammuta kone vapauttamalla kytkinvipu ja irrota pistoke virtalähteestä:
 - Aina kun jätät koneen yksin.
 - Ennen kuin tarkistat, puhdistat tai säädät konetta.
 - Ennen kuin puhdistat terää.
 - Jos kone alkaa täristä epänormaalisti (tarkista välittömästi).
 - Jos kone on osunut vieraaseen esineeseen. Tarkista kone välittömästi ja korjaa tarvittaessa.
- Älä laita käsiä tai jalkoja liikkuvien osien lähelle tai niiden alle.
- Älä käytä konetta sateisella säällä äläkä anna sen kastua. Vältä koneen käyttöä kostealla nurmikolla, jos vain mahdollista.





- Käytä konetta ainoastaan päivänvalossa.
- Älä vedä ruohonleikkuria itseäsi kohti äläkä kävele takaperin nurmikkoa leikatessasi.
- Älä kulje hiekkakäytävien tai teiden ylitse terän pyöriessä. itseesi päin tai kulje takaperin.
- Älä työnnä käynnissä olevaa konetta sorakäytävien tai teiden yli.
- Seiso aina tukevasti etenkin rinteissä.
- Leikatessasi rinnettä leikkaa aina poikittain, älä koskaan leikkaa ylös ja alas.
- Älä leikkaa erittäin jyrkkiä rinteitä. Käytä aina jalkineita, jotka eivät luista.
- Kävele, älä koskaan juokse. Älä koskaan pakota konetta.
- Älä koskaan kannan konetta moottorin ollessa käynnissä. Varmista, että terä on pysähtynyt, ennen kuin nostat konetta.
- Älä koskaan käytä konetta, jos suojat ovat vahingoittuneet.
- Ennen koneen käyttöä tarkista aina, että kokooja on ehjä ja kunnolla paikallaan.
- Kuljetettaessa leikkuria leikkuukorkeuden tulee olla keskikorkeudella.

Kunnossapito ja säilytys

- Kun et käytä konetta, säilytä sitä kuivassa paikassa ja poissa lasten ulottuvilta.
- Älä käytä konetta, jos se on vaurioitunut. Kaikki vaurioituneet osat on vaihdettava ennen koneen käyttöä.
- Älä käytä liuottimia tai puhdistusaineita koneen puhdistamiseen. Poista ruoho ja lika terästä käyttäen tylppää kaavinta. Muista irrottaa pistoke virtalähteestä ennen puhdistusta.
- Varmista, että kaikki mutterit, pultit ja ruuvit ovat kireällä, jotta koneesi on turvallinen.
- Käytä ainoastaan Black & Deckerin suosittelemia varaosia ja tarvikkeita.

Kaksoiseristys



Tässä koneessa on kaksoiseristys ts. kaikki uloimmat metalliosat ovat sähköisesti eristetty virtalähteestä. Tämä saadaan aikaan laittamalla ylimääräinen eristyskerros sähköisten ja mekaanisten osien välille. Kaksoiseristyksen ansiosta sähköturvallisuus on parempi ja tällöin koneen maadoitus on tarpeetonta.

Osat (Kuva A)

A

Ostamasi Black & Decker –ruohonleikkuri on laadukas, muodoltaan moderni ja siinä on seuraavat osat turvallista, tehokasta ja helppoa ruohonleikkuuta varten.

- Turvalukitsin estää ruohonleikkurin tahattoman käynnistyksen.
- Turvallisuutta lisäävä teränjarru. Pysäyttää terän 3 sekunnissa siitä, kun käynnistysvipu on vapautettu.
- Kahvassa olevat suuret siipimutterit helpottavat kokoamista ja varastoon laittamista.
- 14 leikkuukorkeutta antavat joustavuutta kaikenlaisiin nurmikko-olosuhteisiin.
- Leikkuukorkeus on helppo säätää kääntämällä korkeuden säätöruuvia haluttuun asentoon. Säätöruuvien kääntäminen säätää kaikki neljä pyörää samanaikaisesti.
- Ruohonleikkurin pyörät kääntyvät 360° , minkä ansiosta voit leikata nurmikkoa aivan reunaan asti ja myös esteiden ympäri.
- Takapyörät voidaan lukita, jolloin nurmikkoa voidaan leikata aivan suoraan.
- Vankka, kestävä ja ruostumaton muovikansi, joka pitää melun ja tärinän minimissä.
- Tehokas induktiomoottori, tehostaa leikkaamista ja ruohonkeräämistä kohtuullisissa olosuhteissa, pitää melutason alhaalla ja vähentää kunnossapitotarvetta.
- Ergonomisesti muotoiltu ylöspäin kohoava kahva tekee käytöstä mukavan ja helpottaa työntämistä.
- Helposti irrotettava ruohonkokooja.
- Johdonpidike pitää johdon poissa tieltä ja estää pistoketta irtoamasta vahingossa.

Pakkauksen sisältö

Pakkaus sisältää:

- 1 Ruohonleikkurin runko
- 1 Työntöaisa (3-osainen)
- 1 Kokooja (2-osainen)
- 1 Johtopidätin
- 1 Työkalu terän kiristämiseen/puhdistukseen
- 1 Ruuvitaltta
- 2 Siipimutterit
- 2 Aluslaatat
- 2 Muotoillut aluslaatat



SUOMI

- 2 Ylemmän työntöaisan pultit
- 2 Alemman työntöaisan pultit
- 5 Kokoojan ruuvit
- 2 Johdonpuristimet
- 1 Käyttöohje

- Pura kaikki osat pakkauksesta varovaisesti.

Työntöaisan asennus

- Aseta ruohonleikkurin pyörät lujalle ja tasaiselle alustalle.
- B1**
- Työnnä työntöaisan tangot aukkoihin kuvan B1 osoittamalla tavalla siten, että kaari saa ne laajenemaan yläosasta.
 - Lukitse tangot pulteilla ja muotoillulla aluslaatatalla kuvan mukaisesti. Kiristä pultti tiukasti mukana toimitetun ruuviavaimen avulla.
- B2**
- Liu'uta johtopidike mustan kytkinkotelon alle U-muotoiseen työntöaisaan.
- B3**
- Aseta ylempi U-muotoinen työntöaisan tanko tankoihin kuvan mukaisesti.
- B4**
- Lukitse ylempi työntöaisan tanko pultteja, aluslaattoja ja siipimuttereita käyttämällä.
 - Kiinnitä johdot työntöaisaan mukana toimitettujen puristimien avulla.



Älä käytä siipimuttereiden kiristämiseen työkaluja.

Ruohonkokooja (Kuva C)

Ruohonkokooja toimitetaan kahdessa osassa. Kokoa se seuraavasti:

- C1**
- Kohdista kokoojan kaksi puoliskoa toisiinsa kuvan osoittamalla tavalla.
 - Kiinnitä puoliskot toisiinsa viidellä ruuvilla mukana toimitetun ruuvitaltan avulla.
 - Paina yhteen, jotta kiinnittimet lukkiutuvat.

Ruohonkokoojan asennus ruohonleikkuriin:

- C2**
- Nosta jousitettu takaläppä ja aseta kokooja paikoilleen telineeseensä.
 - Voit nyt vapauttaa takaläppän, jotta se lukitsee kokoojan paikoilleen.

Ruohonkokoojan irrotus ruohonleikkurista:

Poista täysinäinen kokooja nostamalla ruoholäppää, jotta kokooja irtaata telineestään, ja aseta se nurmikolle. Laske ruoholäppä varovasti alas, jotta voit nostaa täysinäisen kokoojan kummallakin kädellä.

Koneen käyttö (Kuva D)



Tärkeää! Huomioi kaikki varoitukset konetta käytettäessä.

Helpoin tapa leikata nurmikko ilman, että johto on tiellä, on leikata edestakaisin johdosta pois päin (katso ohjetta myöhemmin tässä käyttöohjeessa).

D1

- Laita suurin osa sähköjohtoa nurmikolle lähelle aloituskohtaa.

Kiinnitä johto pitimeen seuraavasti:

- Kiinnitä jatkojohto takaapäin leikkurin pistokkeeseen.

D2

- Muodosta lenkki jatkojohtoon, lähelle johdon pidintä.

- Vie silmukka virrankatkaisijan laatikossa olevan aukon läpi koukun vastakkaiselle puolelle. Laita silmukka koukkuun ja kiristä. Johto on nyt hyvin.

- Jatkojohto on nyt pois päin leikkurista käyttäjän takana. Voit aloittaa leikkuun.



Varoitus! Älä koskaan työnnä leikkuria vain yhdellä kädellä, vaan pidä aina molemmat kädet työntökahvalla.

D3

- Kallista kahvaa alaspäin, jotta ruohonleikkurin etuosa nousee hieman ilmaan, ettei nurmikko vahingoitu käynnistyksen yhteydessä. Paina kytkinkotelossa olevaa turvanappia ja vedä samalla kytkinkahvaa itseäsi kohti. Ruohonleikkuri käynnistyy ja voit nyt vapauttaa otteesi turvanapista. Laske ruohonleikkuri oikeaan leikkuuasentoonsa ohjaten sitä kummallakin kädellä.



- Etene leikkuualueella kuten kuvassa D1(a) on esitetty. Aloita kohdasta 1 ja jatka kohti kohtaa 2, ja kun pääset kohtaan 2, käänny oikealle ja jatka kohtaan 3. Jatka leikkuualueen loppuun, käänny vasemmalle ja jatka kohtaan 4. Jatka kuten kuvassa D1(a) on esitetty. Työskentele aina pois päin johdosta. Älä leikkaa kuvan D (b) mukaisesti, eli kohti johtoa.

- Varmista, että johto on kaukana ruohonleikkurista liikuttaessasi leikkuria esteiden ympäri tai kun leikkaat reunoja.

Huom: Ruohonleikkurin pyörät kääntyvät 360°, mikä helpottaa ruohonleikkurin liikuttamista. Takapyörät voidaan lukita, jolloin nurmikkoa voidaan leikata aivan suoraan ja tarkasti. Toimi seuraavasti:



- D4** • Työnnä ruohonleikkuria eteenpäin, kunnes kaikki pyörät pyörivät kohti leikkurin takaosaa.
- D5** • Vedä ruohonleikkurin vasemmalla puolella olevaa lukitusvipua, kunnes haka lukkiutuu.
- D6** • Avaa pyörät lukituksesta painamalla vapautuspainiketta eteenpäin.
- D7** • Jos vipu lukkiutuu kokonaan hakaan, mutta takapyörät eivät lukkiudu paikoilleen, vapauta vipu, kierrä johdon säädintä auki yhden kierroksen verran ja lukitse vipu ja haka uudestaan. Toista, kunnes pyörät lukkiutuvat kunnolla paikoilleen.

Ruohonleikkuri jatkaa toimintaa, kun vedät käynnistysvipua. Sammuuta ruohonleikkuri vapauttamalla käynnistysvipu.

Kun lopetat ruohonleikkurilla leikkaamisen, on suositeltavaa, että puhdistat kaikki liat pois ennen kuin laitat se varastoon. Katso Huolto ja kunnossapito –kappale.

Huom: Saat parhaan tuloksen leikkaamalla nurmikon säännöllisesti, mutta älä leikkaa märkää nurmikkoa.

Jos huomaat leikatessasi, että ruohonleikkurin alta lentelee irtoruohoa, kokooja on ilmeisesti täynnä ja se tulisi tyhjentää.

Ylikuormitusuoja (ainoastaan GF1838)

GF1838-mallissa on sisäinen ylikuormitusuoja, mikä sammuttaa moottorin, jos ruohonleikkurilla leikataan erittäin pitkää nurmikkoa matalalla leikkuukorkeudella, tai jos sillä ajetaan väkisin pitkää ruohoa. Jos moottori sammuu näissä olosuhteissa, se ei ole merkki koneessa olevasta viasta. Koneen tulisi antaa jäähtyä 10 minuuttia, minkä jälkeen sitä tulee kallistaa hieman ja antaa käydä tyhjäkäyntiä 1-2 minuuttia. Leikkuukorkeus tulisi säätää korkeimpaan asentoon ja kun leikkaaminen on suoritettu loppuun se tulisi säätää takaisin halutulle korkeudelle.

Liikuteltavuus (Kuva E)

Tämän ruohonleikkurin pyörät pyörivät kokonaan ympäri, minkä ansiosta sitä on helppo liikutella puiden, pylväiden sekä muiden esineiden ympäri. Sen avulla myös epätasaiset pinnat, kuten kukkapenkit voidaan leikata tarkasti.

Täysi liikkuvuus saavutetaan vapauttamalla takapyörän lukitusmekanismi työntämällä avauspainiketta eteenpäin.



Kun liikutat ruohonleikkuria varmista aina, että käytät johdon pidintä ja että johto on pois leikkuualueelta.

Leikkuukorkeuden säätö (Kuva F)

Varoitus! Kytke ruohonleikkuri irti verkosta, ennen kuin ryhdyt tekemään mitään säätöjä ja odota, että terä lakkaa pyörimästä: terät ovat erittäin teräviä.

- F1**
- Käännä vipu ulospäin ja pidä siitä lujasti kiinni.
 - Kierrä säätöruuvia vivun avulla, kunnes haluttu leikkuukorkeus on saavutettu.
 - Päästä vipu takaisin, niin että säätöruuvi lukittuu paikalleen.
- F2**
- Jos haluat nurmikkoosi raitoja, kiinnitä raidoitusliuska paikoilleen kahdella ruuvilla (kuuluu toimitukseen) ja säädä sen jälkeen leikkuukorkeus alas (vain iso-Britannia)

Huom: Pidemmän tai epätasaisen nurmikon kohdalla (etenkin leikattaessa ensimmäistä kertaa kauden alussa): käytä ensin korkeampaa korkeusasetusta ja päättää leikkaamalla toisen kerran halutulla korkeusasetuksella.

Metalliterän hoito

Metalliterä, jota käytetään pitkän ja voimakkaan ruohon leikkuuseen, leikkaa, vaikka se olisi hieman tylsä. Terän ei tarvitse olla partaveitsen terävä. Jos terä osuu kiviin tai muihin vieraisiin esineisiin, se voi tylsyä ja vioittua niin, että se pitää terottaa tai vaihtaa. Suosittelemme terien terotusta tai vaihtoa ennen jokaisen leikkuukauden alkua.

Terän vaihto (Kuva G)



Irrota ruohonleikkuri verkkovirrasta ennen terän vaihtoa.



- Käännä kone kyljelleen siten, että leikkuuterän suojuskansi on näkyvissä.
- Käytä riepua tai käsiineitä irrottaessasi terää. Ota kiinni terästä ja käytä mukana toimitettavaa avainta irrottaaksesi mutterin moottorin karasta. Kierrä mutteria vastapäivään irrottaaksesi sen.
- Terä voidaan nyt vaihtaa ja aluslaatta ja pultti voidaan laittaa takaisin paikoilleen.

Huom! Joissakin malleissa on käytetty aluslevyä pultin ja terän välillä. Aluslevy tulee aina laittaa takaisin paikalleen teränvaihdon jälkeen.

Huom! Älä koskaan poista tuuletinta.

Vinkkejä

- Jos ruoho on pitkää, yli 10cm, leikkaa se kahdesti parhaimman tuloksen saamiseksi. Suosittelemme, että leikkaat ensin terä korkeimmalla leikkuukorkeudella ja sen jälkeen halutussa korkeudessa. Näin on helpompi leikata, ja lopputulos on parempi.



SUOMI

Hoito

- Pidä ruohonleikkuri aina puhtaana ruohonleikkeistä ja muusta liasta. Kiinnitä erityistä huomiota leikkutasoon, ilmanottoaukkoihin ja pyöriin.
- Tarkista jatkojohdon kunto säännöllisesti. Viallinen johto tulee välittömästi vaihtaa uuteen.
- Jokaisen leikkuukauden jälkeen kone tulee puhdistaa huolellisesti. Poista terän suojakannen alle kerääntynyt ruoho muovilastalla. Älä käytä koneen muovipintaa vaurioittavia puhdistusaineita.
- Pyyhi kaikki muovipinnat kostealla rievulla.
- Konetta ei saa suihkuttaa vedellä eikä upottaa veteen.
- Terää myydään tarvikkeena (nro A6177).

Vianetsintä

Mikäli ruohonleikkurisi ei toimi toivotulla tavalla, katso allaolevaa taulukkoa.



Huom! Irrota aina pistoke verkkovirrasta ennenkuin ryhdyt minkäänlaisiin toimenpiteisiin.

Vika	Mahdollinen syy	Toimenpide
Moottori käy, mutta terä ei pyöri.	Terä on jumiutunut.	Katkaise virta. Poista este terän tieltä.
Ei ääntä ja terä ei pyöri.	Sähkövika.	Katkaise virta. Kokeile toista virtalähdettä. Vaihda sulake. Tarkista kaikki jatkojohdon kiinnitykset.
Ei ääntä ja terä ei liiku.	Ainoastaan GF1838 Ylikuormitussuoja on lauennut.	Katso kohta Ylikuormitussuoja.

Ympäristö



Kun koneesi on käytetty loppuun, älä heitä sitä tavallisten roskien mukana pois, vaan vie se paikkakuntasi kierrätyskeskukseen tai jätä valtuutettuun Black & Deckerin huoltoliikkeeseen.

Takuu

Black & Decker Oy takaa, ettei koneessa ollut materiaali- ja/tai valmistusvikaa silloin, kun se toimitettiin ostajalle. Takuu on lisäys kuluttajan laillisiin oikeuksiin eikä vaikuta niihin. Takuu on voimassa Euroopan Unionin jäsenmaissa ja Euroopan vapaakauppa-alueella (EFTA).

Mikäli Black & Decker -kone hajoaa materiaali- ja/ tai valmistusvirheen tai teknisten tietojen epätarkkuuden vuoksi 24 kk:n kuluessa ostopäivästä, Black & Decker korjaa koneen ilman kustannuksia ostajalle tai vaihtaa sen uuteen Black & Decker Oy:n valinnan mukaan.

Takuu ei kata vikoja, jotka johtuvat koneen

- normaalista kulumisesta
- ylikuormituksesta, virheellisestä käytöstä tai hoidosta
- vahingoittamisesta vieraalla esineellä tai aineella tai onnettomuustapauksessa.

Takuu ei ole voimassa, mikäli konetta on korjannut joku muu kuin Black & Deckerin valtuuttama huoltoliike.

Edellytyksenä takuun saamiselle on, että ostaja jättää koneen ja ostokuitin jälleenmyyjälle tai valtuutetulle huoltoliikkeelle viimeistään 2 kuukauden kuluessa vian ilmenemisestä. Tiedot valtuutetuista huoltoliikkeistä saa ottamalla yhteyttä Black & Decker Oy:hyn sekä internetistä osoitteesta www.2helpU.com, jossa on myös takuuehdot.

Korjaukset / varaosat

Mikäli koneeseen tulee vikaa, jätä se aina Black & Deckerin valtuuttamaan huoltoliikkeeseen korjattavaksi (tiedot löytyvät uusimmasta tuoteluettelostamme tai ottamalla yhteyttä Black & Decker Oy:hyn). Varaosia myyvät valtuutetut Black & Deckerin huoltoliikkeet, ja heiltä voi myös pyytää kustannusarvion koneen korjauksesta.

Tiedot valtuutetuista huoltoliikkeistä löytyvät myös internetistä osoitteesta www.2helpU.com sekä kotisivuiltamme www.blackdecker.fi.

Muita puutarhatyökaluja

Black & Deckerillä on laaja valikoima puutarhakoneita, jotka tekevät puutarhan hoidon helpoksi. Lisätietoja alla olevista tuotteista saat Black & Deckerin jälleenmyyjältä tai

kotisivuiltamme www.blackdecker.fi.

Sammaleenpoistajat
Pensasleikkurit
Ketjusahat
Puutarhanpuhdistaja
Nurmikonviimeistelijät
Ruohonleikkurit
Oksasilppurit



CE-vaatimustenmukaisuusvakuutus

**GF834/GF934/GF1034/GF1234/GF1438/
GF1838**

Black & Decker vakuuttaa, että nämä työkalut
ovat:

98/37/EC, 89/336/EEC, 73/23/EEC,
EN 55014, EN 60335, EN 61000,

2000/14/EC, ruohonleikkuri, L ≤ 50 cm,
Annex VIII, No. 0086, mukaiset.

B.S.I., HP2 4SQ, Iso-Britannia

Melutaso, mitattu 2000/14/EC:n mukaisesti:

L_{pA}	(äänenpaine)	dB(A)	79
L_{WA}	(ääniteho)	dB(A)	93
L_{WA}	(taattu)	dB(A)	96

Tärinätaajuuden painotettu geometrinen
keskiarvo EN 50144 mukaisesti: < 2,5 m/s²

Brian Cooke

Director of Engineering
Spennymoor, County Durham DL16 6JG,
United Kingdom
1-12-2001



Roterende gressklipper

Bruksanvisning

Viktig!

Vi gratulerer med at du valgte denne elektriske gressklipperen fra Black & Decker.

Denne bruksanvisningen gir viktige drifts- og vedlikeholdsinstruksjoner for hele Black & Deckers elektriske 4x4 utvalg.

Lær og kjenne din maskin



Les hele bruksanvisningen nøye og merk deg alle sikkerhetsinformasjon før, under og etter bruk av maskinen. Hold alltid maskinen i god stand.

Gjør deg kjent med alle brytere før du bruker maskinen. Vær særskilt nøye med at du vet hvordan du stanser maskinen før du starter den.

Oppbevar bruksanvisningen for senere bruk.

Sikkerhetsforskrifter

Trening

- La aldri barn eller andre personer som ikke er kjent med denne maskintypen bruke den, eller andre som ikke har lest denne sikkerhetsinstruksen.



La aldri barn, dyr eller andre personer være i nærheten av maskinen når den er i bruk. Hold dem minst 6m unna arbeidsområdet.

- Husk at operatøren/brukeren er ansvarlig for skader eller farer som oppstår overfor andre personer eller deres eiendeler.
- Maskinen er utformet til bruk på elektrisk strømforsyning med vekselstrøm. Bruk ikke annen strømforsyning.



- Slå av og ta ut kontakten før du justerer og rengjør eller hvis ledningen har viklet seg eller er ødelagt. Bær aldri gressklipperen i kabelen og trekk ikke i kabelen for å ta konnektorene fra hverandre. Hold kabelen unna varmekilder, olje og skarpe kanter. Sjekk tilstanden til kabelen før bruk og bruk ikke hvis den er ødelagt.

Forberedelse

- Bruk kraftige sko eller støvler slik at deres føtter er beskyttet.
- Bruk ikke maskinen barbeint eller i sandaler.



- Pass på at ledningen ikke kommer inntil knivene.
- Vær alltid sikker på at maskinen er i godt stand.



- Før maskinen tilsluttes strømuttaket, kontroller at kniven og de roterende delene ikke er skadet. Defekte kniver og slitte bolter kan gjøre store skader. Kontroller også at kniven er skikkelig festet. Sjekk alle skruer og bolter med jevne mellomrom.
- Pass på at det området som skal renses er fritt for grener, sten, ståltråd og annet som kan skade maskinen. Kontakt med slike gjenstander kan være farlig eller kan skade maskinen, og kan slynges ut av knivene.

Drift

- Ved start; vipp maskinen litt bakover.
- Sørg for at begge hendene er på håndtaket og at føttene ikke er i nærheten av knivene før maskinen starter.



Maskinen vil fortsette å kjøre en kort stund etter at strømbryteren har blitt utløst. La alltid maskinen stoppe av seg selv.

- Slipp strømbryteren for å slå maskinen av og ta støpselet ut av stikkkontakten:
 - Når du går ifra maskinen.
 - Før kontroll, rengjøring, justering av valsen.
 - Før klargjøring av blokkeringer.
 - Dersom maskinen begynner å vibrere unormalt (sjekk øyeblikkelig).
 - Etter å ha kommet i kontakt med en fremmed gjenstand. Se over maskinen for skade og reparer dersom nødvendig.
- Kjør aldri maskinen når den ligger på siden og prøv aldri å stoppe knivene. La de alltid stoppe av seg selv.
- Plasser aldri hender eller føtter i nærheten av eller under roterende deler.
- Bruk ikke maskinen i regnvær og la den ikke bli våt. Dersom mulig unngå å bruke maskinen på vått gress.
- Bruk kun maskinen i dagslys eller i god kunstig belysning.





- Trekk ikke maskinen mot deg og gå ikke baklengs når du klipper.
- Kryss ikke grusstier eller –vei mens knivene roterer.
- Kryss ikke grusganger eller veier med roterende kniver.
- Vær sikker på å ha godt fotfeste, spesielt i hellinger.
- Klipp alltid på tvers av hellinger; aldri opp og ned.
- Klipp ikke i ekstreme hellinger og bruk alltid sklisikkert fotøy.
- Gå, løp ikke. Tving ikke maskinen.
- Løft ikke maskinen mens motoren er på. Sørg for at knivene har sluttet å rotere når maskinen løftes for transport.
- Bruk aldri maskinen med defekte deler.

Vedlikehold og oppbevaring

- Når maskinen ikke er i bruk må den oppbevares på et tørt sted utilgjengelig for barn.
- Bruk ikke maskinen dersom den er skadet. Alle skadede deler må byttes ut før bruk.
- Bruk ikke oppløsningsmiddel eller rengjøringsmiddel ved rengjøring av maskinen - bruk en butt skrape til å fjerne gress og smuss fra knivene. Husk å dra ut stikkkontakten før rengjøring.
- Hold mutre, bolter og skruer godt tiltrukket for å være sikker på at maskinen er i god bruksstand.
- Bruk kun reservedeler og tilbehør som anbefales av Black & Decker.

Dobbeltisolering



Maskinen er dobbeltisolert. Dette betyr at alle eksterne metaldeler er elektrisk isolert fra strømforsyningen. Dette er gjort ved å plassere en ekstra isoleringssperring mellom de elektriske og mekaniske delene. Dobbeltisolering betyr større elektrisk sikkerhet og maskinen behøver ikke å være jordet.

Egenskaper (Fig. A)

A

Med denne Black & Decker gressklipperen får du et produkt som kombinerer kvalitet med moderne design. Gressklipperen har følgende egenskaper:

- Sikkerhetsbryter som hindrer utilsiktet oppstart av gressklipperen.
- En knivbrems for ekstra sikkerhet. Stopper knivene innen 3 sekunder så snart spaken utløses.

- Store håndtaksvingemuttere for enkel montering og oppbevaring.
- 14 høyder med klippeposisjoner som gir fleksibilitet for å kunne hanskles med de fleste gresstilstander.
- Du justerer klippehøyden enkelt ved å dreie høydejusteringsbryteren til ønsket innstilling. Når du dreier på bryteren, justeres alle de fire hjulene samtidig.
- Gressklipperen har hjul som kan roteres 360°. Dette gir maksimal manøvrering slik at man kan klippe helt opp til gresskanter og rundt hindringer.
- Bakhjulene kan låses for presis og rett klipping.
- Kraftig, varig plastdeksel som ikke ruster og som bidrar til lavt lydnivå og liten vibrasjon.
- Kraftig og effektiv induksjonsmotor som gir effektiv klipping og oppsamling under alle rimelige forhold, samt et lavt lydnivå og lite vedlikehold.
- Ergonomisk håndtak for behagelig bruk og enkel dytting.
- Enkelt å fjerne gressoppsamlingsboks.
- Kabelholder hjelper til med å holde kablen unna og hindrer at kabelkontakt trekkes eller frakoples utilsiktet.

Innhold i kartongen

Kartongen inneholder:

- 1 Hovedenhet
- 1 Håndtak (3 deler)
- 1 Gressoppsamler (2 deler)
- 1 Kabelholder
- 1 Skrunøkkel/skraper
- 1 Skrutrekker
- 2 Vingemuttre
- 2 Flate skiver
- 2 Formede skiver
- 2 Skruer til øvre håndtak
- 2 Skruer til nedre håndtak
- 5 Skruer til gressoppsamler
- 2 Kabelklemmer
- 1 Bruksanvisning

- Pakk forsiktig ut alle delene.

Montere håndtaket

- Sett hjulene til gressklipperen på et fast og jevnt underlag.



NORGE

- B1**
- Stikk håndtakskaftene inn i åpningene som vist i fig. B1, slik at kurven får dem til å åpne seg mot toppen.
 - Fest hvert av skaftene med en skrue og en formet skive som vist. Fest skruen godt ved hjelp av medfølgende skrunøkkel.

- B2**
- Skyv kabelholderen inn på det U-formede håndtaket, nedenfor den svarte bryterboksen.

- B3**
- Sett det U-formede øvre håndtaket inn på skaftene som vist.

- B4**
- Fest øvre håndtakskraft ved hjelp av skruene, skivene og vingemutrene, som vist.
 - Fest kablene til håndtaket ved hjelp av de medfølgende kabelklemmene.



Ikke stram vingemutrene ved hjelp av verktøy.

Montering av gressoppsamlingsboksen (Fig. C)

Gressoppsamlingsboksen kommer i to deler. Gjør slik for å montere sammen gressoppsamlingsboksen:

- C1**
- Hold de to halvdelene til gressboksen sammen, som vist.
 - Sett sammen halvdelene med de 5 skruene, ved bruk av medfølgende skrutrekker.
 - Dytt sammen for å tilkople klemmene.

Montere gressoppsamlingsboksen til gressklipperen:

- C2**
- Den fjærete bakklaffen løftes og toppen av gressoppsamlingsboksen plasseres over monteringen.
 - Bakklaffen kan nå slippes opp for å låse gressoppsamlingsboksen på plass.

Ta gressoppsamlingsboksen av gressklipperen:

En full gressoppsamlingsboks kan tas av ved å løfte bakklaffen, løsne gressoppsamlingsboksen fra monteringen og lene den mot gresset. Bakklaffen kan senkes forsiktig slik at begge hender kan brukes til å tømme den fulle gressoppsamlingsboksen.

Bruk av maskinen (Fig. D)



Les alle aktuelle instruksjoner for bruk av gressklipperen.

Enkleste måte å klippe plenen på uten at ledningen kommer i veien, er å klippe fram og tilbake vekk fra ledningen, se instruksjon lengre fram.

- D1**
- Plasser mesteparten av kabelen på plenen i nærheten av startpunktet.

Gjør slik for å feste kabelen til holderen:

- Før løkken igjennom skjæret fra hakens motsatte side.

- D2**
- Lag en løkke på forlengelseskabelen i nærheten av kabelholderen.

- Før løkken gjennom åpningen i strømbryteren fra motsatt side av kroken. Legg løkken rundt kroken og trekk til. Ledningen er nå festet.
- Skjøteledningen skal nå falle vekk fra gressklipperen og bak brukeren. Det er nå klart for klipping.



Advarsel! Kjør ikke gressklipperen med en hånd - bruk alltid to.



- D3**
- Vipp håndtaket bakover for å løfte fronten av gressklipperen litt og for å redusere faren for at plenen skades under oppstart. Trykk ned låseknappen på bryterboksen og trekk bryterspaken mot deg, mens du fortsatt trykker låseknappen. Gressklipperen vil starte og du kan nå slippe opp låseknappen. Senk gressklipperen til korrekt klippeposisjon og begynn å klippe plenen. Bruk begge hender til å lede gressklipperen.



- Fortsett langs klippeområdet slik det er vist i Fig. D1(a). Arbeid fra posisjon 1 mot posisjon 2 og, når du har nådd posisjon 2, dreier du mot høyre og fortsett til posisjon 3. Fortsett til enden av klippeområdet, dreier du til venstre og fortsett til posisjon 4. Fortsett på samme måte som vist i Fig. D1(a), og arbeid alltid fra kabelen. Bruk ikke metoden som er vist i Fig. D (b), dvs. klipp ikke mot ledningen.
- Sørg for at kabelen ikke er i nærheten av gressklipperen når den manøvreres rundt hindringer og ved kanter.

Merk: Gressklipperen har hjul som kan roteres 360°. Gjør slik for å låse bakhjulene på plass for rett og presis klipping:

- D4**
- Dytt gressklipperen fremover til alle hjul roterer mot bakre del av gressklipperen.
- D5**
- Trekk låsespaken på venstre side av gressklipperen til sperren tilkoples.
- D6**
- For å låse opp hjulene, dytt utløserknappen fremover.
- D7**
- Dersom spaken er fullstendig tilkopledd, men bakhjulene ikke er låst på plass, løs opp spaken, skru opp kabeljustering og dreining og kople tilbake spaken og sperren. Gjenta til hjulene er helt låst på plass.



Gressklipperen vil fortsette å fungere mens du trekker bryterspaken. For å stoppe gressklipperen, slipp opp bryterspaken.

Når du er ferdig med å bruke gressklipperen anbefaler vi at du fjerner alt rusk før du setter den bort. Hensvis til avsnittet 'Ettersyn og vedlikehold'.

Merk: For best resultat klipp plen eller gress regelmessig og klipp ikke når gresset er vått.

Hvis løst gress flyr ut fra undersiden av gressklipperen mens du klipper, er gressboksen antakeligvis full og må tømmes.

Overlastvern (kun GF1838)

GF1838 er utstyrt med et internt overlastvern som vil slå av motoren hvis enheten brukes i altfor langt gress med en lav klippehøyde, eller hvis den tvinges inn i langt gress. Hvis motoren stopper under disse forholdene har det ikke oppstått en feil med gressklipperen. La den kjøle ned i 10 minutter og vipp den deretter litt og kjør uten å klippe i 1-2 minutter. Klippehøyden må stilles til maksimum og etter å ha klippet til denne høyden, kan du deretter redusere til ønsket nivå.

Manøvrering (Fig. E)

Gressklipperen har roterende hjul og kan derfor manøvreres rundt trestammer og andre objekter. Dette gir nøyaktig klipping rundt f.eks. blomsterbed.

For maksimal manøvrering, slipp opp bakhjulslåsen ved å dytte utløserknappen fremover.



Når du manøvrerer gressklipperen, bruk alltid kabelholderen og sørg for at kabelen er utenfor området du klipper.

Justere klippehøyden (Fig. F)

Advarsel! Kople alltid gressklipperen fra strømforsyningen før du justerer og gi knivene tilstrekkelig tid til å stoppe. Knivene er skarpe.

F1

- Vipp hendelen utover, og hold den fast.
- Drei bryteren ved hjelp av hendelen til ønsket klippehøyde.

F2

- Vipp hendelen tilbake for å låse bryteren.
- For å lage en stripeeffekt på plenen, sett først stripeklaffen på plass og fest med de 2 skruene som følger med. Juster deretter klippehøyden til en lav posisjon (kun Storbritannia).

Merk: For lange og ujevne plener (spesielt i begynnelsen av sesongen), bruk først en høy høydeinnstilling og avslutt med den høydeinnstillingen du ønsker.

Vedlikehold av stålknaven

Stålknaven vil klippe selv om den er sløv. Den behøver ikke være skarp som et barberblad. Dersom kniven støter mot en stein eller en annen hard gjenstand, kan den bli så sløv at den må slipes eller byttes ut. Vi anbefaler at kniven byttes ut eller slipes før hver sesong.

Bytte av kniv (Fig. G)



Stålknaven er konstruert slik at den gir et fint snitt i langt og kraftig gress.

Obs! Trekk alltid støpselet ut av strømuttaket når du bytter kniv!

G

- Snu maskinen slik at undersiden med kniven blir synlig.
- Bruk noe på hendene når du tar i kniven. Ta tak i kniven og bruk den medfølgende nøkkelen for å løsne bolten fra motorspindelen. For å løsne den, trekk mutteren moturs.

Obs! Noen modeller har en skive mellom bolten og kniven. Skiven skal alltid være montert for å sikre at bolten og kniven er skikkelig festet.

- Kniven kan nå byttes ut og skiver og bolt tilbakesetteres.

Obs! Fjern aldri impellern .

Obs! Noen modeller har en brikke mellom bolten og kniven. Brikken skal alltid være montert på maskinen for å sikre at bolten og kniven sitter skikkelig fast.

Tips

- Når gresset er langt, over 10cm, klipp i to omganger for å få et bedre sluttresultat. Vi anbefaler at du først klipper med kniven innstilt på maksimal klippehøyde og siden med kniven innstilt på ønsket nivå. Det er lettere å klippe på denne måten og det gir et bedre resultat.

Vedlikehold

- Hold alltid gressklipperen ren og fri for gress, spesielt på undersiden, ved luftventilene og rundt hjulene.
- Kontroller regelmessig skjøteledningen. Bruk ikke en skadet ledning, men bytt den ut.
- Når gressklipperen skal settes vekk for vinteren bør alt gress som har samlet seg under dekselet fjernes. Bruk ikke rengjøringsmidler da disse skader platen. Bruk en skraper.
- Tørk av alle plastdeler med en fuktig klut.
- Maskinen må ikke dyppes i eller sprøytes med vann.
- Erstatningskniv A6177 finnes som tilbehør.



Feilsøking

Dersom ikke gressklipperen fungerer tilfredsstillende, se i nedenforstående tabell.



Obs! Støpselet må trekkes ut av kontakten før du begynner å undersøke maskinen!

Symptom	Mulig feil	Utbedring
Motoren går, men ikke kniven.	Kniven er blokkert.	Slå av strømmen. Fjern det som blokkerer kniven.
Ingen lyd og kniven roterer ikke.	Elektrisk feil.	Slå av strømmen. Prøv en annen stikkontakt. Bytt sikringer. Kontroller alle koblinger på skjøteledningen.
Ingen støy og kniv beveger seg ikke.	Kun GF1838 Overlastvern aktivert.	Se avsnittet 'Overlastvern'.

Miljø



Når verktøyet ditt er utslitt, beskytt naturen ved ikke å kaste det sammen med vanlig avfall. Lever det til en oppsamlingsplass som finnes i din kommune eller der hvor du kjøpte verktøyet.

Garanti

Black & Decker garanterer at produktet ikke har material- og/eller fabrikkasjonsfeil ved levering til kunde. Garantien er i tillegg til kundens lovlige rettigheter og påvirker ikke disse. Garantien gjelder innen medlemsstatene i den Europeiske Unionen og i det Europeiske Frihandelsområdet.

Hvis et Black & Decker produkt går i stykker på grunn av material- og/eller fabrikkasjonsfeil eller har mangler i forhold til spesifikasjonene, innen 24 måneder fra kjøpet, påtar Black & Decker seg å reparere eller bytte ut produktet med minst mulig vanskelighet for kunden.

Garantien gjelder ikke for feil som kommer av:

- normal slittasje
- feilaktig bruk eller vedlikehold (mislighold)
- at produktet har blitt skadet av fremmede gjenstander, emner eller ved et uhell

Det gjøres oppmerksom på at produktet ikke er beregnet på industriell/profesjonell/yrkesmessig bruk, men til hus- og hjemmebruk.

Garantien gjelder ikke om reparasjoner har blitt utført av noen andre enn et autorisert Black & Decker serviceverksted.

For å ta garantien i bruk skal produktet og kjøpekvitteing leveres til forhandleren eller til et autorisert serviceverksted senest 2 måneder etter at feilen har blitt oppdaget. For informasjon om nærmeste autoriserte serviceverksted; kontakt det lokale Black & Decker kontoret på den adressen som er angitt i bruksanvisningen.

NORGE

En oversikt over alle autoriserte serviceverksteder samt servicevilkår finnes også tilgjengelig på Internet, adresse: www.2helpU.com.

Reservdeler / reparasjoner

Reservdeler kan kjøpes hos autoriserte Black & Decker serviceverksteder, som også gir kostnadsoverslag og reparerer våre produkter.

Oversikt over våre autoriserte serviceverksteder finnes på Internet, vår hjemmeside

www.blackdecker.no samt www.2helpU.com.

Andre hageverktøy

Black & Decker har et bredt sortiment av verktøy for utendørsbruk som gjør arbeidet i hagen enklere. Kontakt nærmeste Black & Decker forhandler for ytterligere informasjon eller besøk vår hjemmeside: www.blackdecker.no.

Mosefjerner

Gressklippere

Hekksakser

Kjedesager

Gresstrimmere

Løvfjerner

Kompostkverner

Ikke alle produkter er tilgjengelige i alle land.

CE-sikkerhetserklæring

**GF834/GF934/GF1034/
GF1234/GF1438/GF1838**

Black & Decker erklærer at disse verktøyer er konstruert i henhold til:

98/37/EØF, 89/336/EØF, 73/23/EØF,
EN 55014, EN 60335, EN 61000,

2000/14/EØF, Gressklipper, L ≤ 50 cm,
Annex VIII, No. 0086

B.S.I., HP2 4SQ, England

Lydnivået, målt i henhold til 2000/14/EØF:

L_{pA}	(lydnivå)	dB(A)	79
L_{WA}	(lydeffekt)	dB(A)	93
L_{WA}	(garantert)	dB(A)	96

Den veide geometriske middelverdien av vibrasjonsfrekvensen i følge EN 50144: < 2,5 m/s²

Brian Cooke

Director of Engineering
Spennymoor, County Durham DL16 6JG,
United Kingdom
1-12-2001

Rotorgräsklippare

Bruksanvisning

Grattis!

Till ditt köp av en Black & Decker elgräsklippare.

Denna bruksanvisning innehåller viktig drifts- och skötselinformation för Black & Deckers 4 x 4 elgräsklippare.

Lär känna Din maskin



Läs hela bruksanvisningen noggrant och observera all säkerhetsinformation före under och efter användning av maskinen. Håll alltid maskinen i gott skick.

Bekanta Dig med alla reglage innan Du använder maskinen. Var särskilt noga med att Du vet hur man stannar maskinen innan Du startar den.

Förvara bruksanvisningen för framtida bruk.

Säkerhetsföreskrifter

Utbildning

- Låt inte andra personer eller barn som inte känner till denna typ av maskin eller inte har läst bruksanvisningen använda maskinen.



Låt aldrig barn, djur eller vuxna komma för nära maskinen när den används. De skall alltid vara minst 6m borta från arbetsområdet.

- Kom ihåg att användaren ansvarar för skador eller risker som orsakas andra människor eller deras egendom.
- Maskinen har utformats för bruk med växelström enbart - försök ej använda annan strömförsörjning.
- Stäng av gräsklipparen innan den justeras eller rengörs eller om sladden har trasslat till sig eller är skadad. Lyft aldrig gräsklipparen i sladden och försök aldrig att rycka isär sladdens kontakter. Se till att sladden inte kommer i närheten av värmekällor, olja eller vassa kanter. Kontrollera sladden före användning och använd inte gräsklipparen om sladden är skadad.



Förberedning

- Använd stadiga skor eller stövlar så att Dina fötter är skyddade. Nyklippt gräs är fuktigt och halt.
- Gå ej barfota eller i öppna sandaler när maskinen används.



- Använd långbyxor för att skydda benen. Föremål som finns i gräset kan slungas ut från maskinen.

- Se till att sladden aldrig kommer nära knivarna. Du måste hela tiden ha den under uppsikt. Kontrollera sladden regelbundet. Använd aldrig en skadad sladd.

- Se alltid till att maskinen är i säkert, arbetsdugligt skick.



- Innan Du ansluter gräsklipparen till elnätet inför klippningen bör Du kontrollera att kniven och andra roterande delar är i gott skick. En defekt kniv och slitna bultar kan förorsaka stora skador. Kontrollera också att kniven sitter fast ordentligt.

- Se till att arbetsområdet är fritt från grenar, sten, ståltråd och annat som kan skada maskinen eller slungas ut av knivarna.

- Förlängningssladden som används måste vara godkänd för utomhusbruk.

Drift

- Vid start; luta maskinen något bakåt.
- Fatta båda händerna om handtaget och se till att fötterna är borta från knivarna innan du startar maskinen.



Knivarna fortsätter rotera en kort tid efter att Du har stängt av maskinen. Låt alltid knivarna stanna av sig själv.

- Släpp strömbrytarmen för att stänga av maskinen och drag ut kontakten ur vägguttaget:

- När maskinen lämnas övertvakad.
- Innan inspektion, rengöring eller justering.
- Innan knivarna rensas.
- Om maskinen börjar vibrera onormalt (inspektera omedelbart).
- Om maskinen stöter emot ett främmande föremål skall maskinen omedelbart inspekteras för skador och repareras om nödvändigt.

- Placera aldrig händer eller fötter i närheten av eller under roterande delar.



- Använd inte maskinen när det regnar och låt den ej bli fuktig. Undvik om möjligt att använda den på fuktigt gräs.

- Använd endast maskinen i dagsljus.



SVERIGE

- Dra inte maskinen mot dig eller gå baklänges när du klipper.
- Gå inte över grusgångar eller vägar när bladen roterar.
- Korska inte grusgångar eller vägar med roterande knivar.
- Stå alltid stadigt, speciellt på sluttningar.
- Klipp alltid längs med sluttningar, aldrig uppåt och nedåt.
- Använd aldrig maskinen på branta sluttningar. Använd alltid halkfria skor.
- Gå alltid, spring inte. Tvinga aldrig maskinen.
- Bär aldrig maskinen när motorn är i gång. Kontrollera att knivarna slutat rotera innan Du lyfter maskinen.
- Använd aldrig maskinen med defekta skydd.
- Innan Du startar maskinen, kontrollera alltid att uppsamlaren sitter ordentligt på sin plats och är i gott skick.
- Vid transport skall gräslipparen vara inställd på klipp höjd i mittenläge.

Underhåll och förvaring

- Förvara maskinen på ett torrt ställe när den inte används, utom räckhåll för barn.
- Använd inte maskinen om den är skadad. Skadade delar skall bytas ut innan användning.
- Använd inte lösningsmedel eller rengöringsmedel när Du gör ren maskinen. Använd en trubbig skarpa för att ta bort gräs och smuts från knivarna. Kom ihåg att dra ur stickkontakten innan rengöring.
- Kontrollera att alla muttrar, bultar och skruvar är åtdragna för att vara säkra på att maskinen är i säkert skick.
- Använd endast reservdelar och tillbehör som rekommenderas av Black & Decker.

- En säkerhetsbrytare som förhindrar att gräsklipparen startas av misstag.
- En knivbroms för extra säkerhet. Stoppar knivarna inom 3 sekunder från att kopplingsspaken frigörs.
- Stora vingmuttrar på handtaget för lätt montering och förvaring.
- 14 klipphöjder som klarar de flesta gräsförhållanden.
- Klipphöjden är lättjusterad med enbart en vridning på inställningsknappen till önskad höjd. En vridning på knappen ger inställning av alla fyra hjulen samtidigt.
- Gräsklipparens hjul roterar 360° för maximal styrförmåga vilket underlättar vid klippning längs gräsmattans kanter och runt föremål.
- Bakhjulen kan låsas för klippning i rak linje.
- En robust och slitstark plastkåpa som inte rostar och som bidrar till en låg ljudnivå samt dämpar vibrationer.
- Kraftfull och effektiv induktionsmotor för en effektiv klippning och gräsuppsamling under alla tänkbara förhållanden, en låg ljudnivå och minsta möjliga underhåll.
- Ergonomiskt uppsvängt handtag för bekväm och lätt manövrering.
- Lätt borttagbar gräsuppsamlare
- Kabelhållare så att inte sladden är i vägen och som förhindrar att väggkontakten av misstag dras ut och fränkopplas.

Dubbelisolering



Maskinen har dubbelisolering. Detta innebär att alla yttre metalldelar är elektriskt isolerade från nätströmstillförseln. Detta uppnås genom att ett extra lager isolering placeras mellan elektriska och mekaniska delar. Dubbelisolering ger större elektriskt skydd och gör att maskinen inte behöver jordas.

Funktioner (Bild A)



Din Black & Decker gräsklippare kombinerar kvalitet med modern design och nedanstående funktioner för att garantera en säker, effektiv och lättmanövrerad gräsklippning.

Kartongens innehåll

Kartongen innehåller:

- 1 Gräsklipparens huvuddel
- 1 Handtag (3 delar)
- 1 Gräsuppsamlare (2 delar)
- 1 Sladdlås
- 1 Verktyg för fastspänning/rengöring
- 1 Skruvmejsel
- 2 Vingmuttrar
- 2 Brickor
- 2 Anpassade brickor
- 2 Skruvar för övre handtag
- 2 Skruvar för undre handtag



- 5 Skruvar för gräsuppsamlare
- 2 Sladdklips
- 1 Bruksanvisning

- Packa försiktigt upp alla delar.

Att montera handtaget

- Sätt gräsklipparen med hjulen på en jämn och stadig yta.
- B1** • Sätt skaften till handtagen i öppningarna enligt fig. B1 så att böjningen formar en öppning överst.
- Fäst vart och ett av handtagen med en skruv och en anpassad bricka som bilden visar. Fäst skruven ordentligt med det medföljande verktyget.
- B2** • För in sladdlåset på det u-formade handtaget under den svarta kopplingsdosan.
- B3** • Placera det U-formade övre handtaget på stängerna enligt figuren.
- B4** • Fäst det övre handtaget med skruvarna, brickorna och vingmuttrarna enligt figuren.
- Fäst sladdarna vid handtaget med de medföljande sladdklipsen.



Använd inga verktyg för att dra åt vingmuttrarna.

Montering av gräsuppsamlare (Bild C)

Gräsuppsamlaren levereras i två delar. Dessa monteras ihop på följande sätt:

- C1** • Rätta till de två hälfterna av gräsuppsamlaren som bilden visar.
- Använd den medföljande skruvmejseln och sätt samman de två hälfterna med de 5 skruvarna som bilden visar.
 - Tryck ihop delarna tills klämmorna griper.

Montering av gräsuppsamlaren på gräsklipparen:

- C2** • Lyft den fjäderinspända klaffen baktill på gräsklipparen och placera gräsuppsamlaren på hängmekanismen.
- Släpp klaffen för att hålla gräsuppsamlaren på plats.

Ta bort gräsuppsamlaren från gräsklipparen:

För att ta bort en full gräsuppsamlare, lyft på klaffen, lyft av gräsuppsamlaren och ställ den på gräsmattan. Sänk försiktigt klaffen så att du får båda händerna fria till att lyfta den fulla gräsuppsamlaren.

Användning av maskinen (Bild D)



Observera alla relevanta varningsinstruktioner när maskinen används.

Enklaste sättet att klippa utan att sladden kommer i vägen är att klippa fram och tillbaka över gräsmattan bort från sladden, se anvisning längre fram.

D1

- Placera merparten av matningskabeln på gräsmattan där du tänker börja klippa.

Gör på följande sätt för att sätta fast kabeln i kabelhållaren:

- Sätt fast förlängningssladden bakifrån och anslut den till gräsklipparens kontakt.

D2

- Gör en ögla på förlängningskabeln nära kabelhållaren.
- För öglan genom öppningen i strömbrytarlådan från motsatt sida av kroken. Lägg öglan runt kroken och drag åt. Sladden är nu fixerad.
- Förlängningssladden skall nu falla bort från gräsklipparen och bakom användaren. Det är nu klart att klippa.



Varning! Försök aldrig att köra gräsklipparen med en hand utan använd alltid två händer.

D3

- Tryck handtaget nedåt för att höja gräsklipparens framdel och förhindra att gräsmattan tar skada när gräsklipparen startar. Tryck in spärrknappen på kopplingsdosan samtidigt som du drar startspaken mot dig. Släpp spärrknappen när gräsklipparen startar. Sänk gräsklipparen till önskad klippnivå och börja klippa. Styr gräsklipparen med båda händerna.



- Fortsätt att klippa såsom Bild D1 (a) visar, från punkt 1 till punkt 2 och, när du når punkt 2, vänd åt höger och fortsätt att klippa till punkt 3. Fortsätt till slutet av klippområdet, vänd åt vänster och fortsätt fram till punkt 4. Fortsätt på samma sätt som i Bild D1 (a) och arbeta alltid bort från sladden. Använd inte metoden som visas i Fig. D (b), dvs klipp inte mot sladden.

- Se till att kabeln ligger fri från gräsklipparen när du klipper runt föremål eller längs gräsmattans kanter.

OBS! Gräsklipparens hjul roterar 360° för maximal styrförmåga. Bakhjulen kan låsas för en rak och exakt klippning på följande sätt:

D4

- Flytta gräsklipparen framåt tills alla hjulen står i rak linje.

D5

- Dra ut låsspaken på gräsklipparens vänstersida tills spärrhaken trycker in.

D6

- Hjulen frigörs genom att trycka utlösningssknappen framåt.



- D7** • Om spärrhaken kuggar in utan att bakhjulen låses, frigör låsspaken, skruva loss kabeljusteringen ett varv och återinkoppla låsspaken och spärrhaken. Upprepa tills hjulen låses på plats.

Gräsklipparen fortsätter att gå när ställspaken dras ut. Stoppa gräsklipparen genom att släppa ställspaken. När du är färdig med gräsklippningen bör gräsklipparen rengöras från gräs och annat skräp innan den ställs undan. Hänvisa till avsnittet "Skötselråd".

OBS! För bästa resultat, klipp din gräsmatta regelbundet och låt bli att klippa när gräset är vått. Om du när du klipper märker att gräsklipparen lämnar efter sig en rand av gräsklipp, är gräsupsamlaren troligen full och behöver tömmas.

Överbelastningsskydd (endast GF1838)

GF1838-modellen är utrustad med ett internt överbelastningsskydd som stänger av motorn om gräsklipparen används i gräs som är för långt för vald klippnivå eller om den tvingas in i långt gräs. Stannar motorn under sådana förhållanden, innebär det inte att det är fel på gräsklipparen. Låt gräsklipparen svalna i 10 minuter, luta den något och kör den utan att klippa i 1-2 minuter. Ställ gräsklipparen på maximal klippnivå och klipp en gång på denna nivå. Sänk därefter klippnivån till önskad nivå.

Styrförmåga (Bild E)

Gräsklipparen har fullt roterande hjul och kan manövreras runt träd och andra föremål. Den kan också klippa runt konturerade blomrabatter.

För maximal styrförmåga, frigör bakhjulens låsmekanism genom att tryck utlösningssknappen framåt.



Använd alltid kabelhållaren och se till att kabeln inte ligger i vägen när du klipper gräset.

Justering av klipphöjden (Bild F)



Varning! Gräsklipparen måste frångöras och knivbladen ha stannat innan någon höjdjustering kan ske: knivarna är mycket vassa.

- F1**
- Dra armen utåt och håll stadigt fast i den.
 - Vrid på knappen med hjälp av armen och ställ in önskad klipphöjd.
 - Fäll tillbaka armen och lås fast knappen.
- F2**
- För en randig effekt, skjut randklaffen på plats och skruva fast med de 2 skruvarna som medföljer. Sätt därefter klippnivån på låg nivå (endast UK).

SVERIGE

OBS! För längre eller ojämna gräsmattor (speciellt årets första gräsklippning), börja med en hög klipphöjd och avsluta med en andra lägre klipphöjd.

Underhåll av stålkniv

Stålkniven som används i långt och kraftigt gräs fortsätter att klippa även om den skulle bli lite slö. Den behöver inte vara rakbladsvass. Om kniven stöter mot sten eller något annat föremål i gräsmattan kan den bli så slö att den måste slipas eller bytas ut. Vi föreslår att kniven slipas eller byts ut inför varje säsong.

Byte av kniv (Bild G)



Tag alltid ur kontakten innan Du byter kniv.



- Vänd maskinen på sidan så att undersidan med kniven (2, Fig. A) blir synlig.
 - Använd en trasa eller grova handskar när Du tar i kniven. Ta tag i kniven och använd den medföljande nyckeln för att lossa bulten från motorspindeln. Drag muttern moturs för att lossa den.
- Obs!** Några modeller har en bricka mellan bulten och kniven. Brickan skall alltid vara monterad på maskinen för att säkra att bulten och kniven sitter ordentligt fast.
- Knivarna kan nu bytas ut och packning och skruv säkras.

Obs! Tag aldrig av impellern.

Obs! Några modeller har en bricka mellan bulten och kniven. Brickan skall alltid vara monterad på maskinen för att säkra att bulten och kniven sitter ordentligt fast.

Tips

- När gräset är långt, över 10 cm, klipp i två omgångar för att få ett bra slutresultat. Vi rekommenderar att Du först klipper med kniven inställd på maximal klipphöjd och sedan med kniven inställd på önskad nivå. Det är lättare att klippa på detta sätt och ger ett bättre resultat.

Underhåll

- Se till att gräsklipparen inte täpps igen av gräs, speciellt runt knivar, lufthål och hjul.
- Kontrollera sladden regelbundet. Använd inte en skadad förlängningssladd utan byt ut den.



- I slutet av varje säsong bör allt gräs som samlats under kåpan tas bort. Använd en skrapa. Använd inte rengöringsmedel då dessa kan skada plasten.
- Torka av alla plastdelar med en fuktig trasa.
- Maskinen får inte doppas i eller sköljas med vatten.
- Ersättningskniv A6177 finns som tillbehör.

Felsökning

Skulle inte gräsklipparen fungera tillfredsställande se i nedanstående tabell.



Obs! Kontakten måste alltid dras ur innan Du börjar undersöka gräsklipparen.

Symtom	Möjligt fel	Åtgärd
Motorn går men inte kniven.	Kniven är blockerad.	Slå av strömmen. Tag bort det som blockerar kniven.
Inget ljud och kniven roterar inte.	Elektriskt fel.	Slå av strömmen. Prova en annan stickkontakt. Byt säkringar. Kontrollera alla anslutningar på förlängningsladdan.
Gräsklipparen tyst och knivarna stillastående.	Endast GF1838 Överbelastningskyddet aktiverat.	Se avsnittet om Överbelastningskydd.

Miljö



När ditt verktyg är utslitet, skydda naturen genom att inte slänga det tillsammans med vanligt avfall. Lämna det till de uppsamlingsställen som finns i din kommun eller där du köpt verktyget.

Garanti

Black & Decker garanterar att produkten är fri från material- och/eller fabriktionsfel vid leverans till kund. Garantin är i tillägg till konsumentens lagliga rättigheter och påverkar inte dessa. Garantin gäller inom medlemsstaterna i Europeiska Unionen och i det Europeiska Frihandelsområdet.

Om en Black & Decker produkt går sönder på grund av material- och/eller fabriktionsfel eller brister i överensstämmelse med specifikationen, inom 24 månader från köpet, åtar sig Black & Decker att reparera eller byta ut produkten med minsta besvär för kunden.

Garantin gäller inte för fel som beror på:

- normalt slitage
- felaktig användning eller skötsel
- att produkten skadats av främmande föremål, ämnen eller genom olyckshändelse

Garantin gäller inte om reparation har utförts av någon annan än en auktoriserad Black & Decker verkstad.

För att utnyttja garantin skall produkten och inköpskvittot lämnas till återförsäljaren eller till en auktoriserad verkstad senast 2 månader efter det att felet har upptäckts. För information om närmaste auktoriserade verkstad; kontakta det lokala Black & Decker kontoret på den adress som är angiven i bruksanvisningen. En lista på alla auktoriserade verkstäder samt servicevillkor finns även tillgängligt på Internet, adress: www.2helpU.com.

Reservdelar / reparationer

Reservdelar finns att köpa hos auktoriserade Black & Decker verkstäder, som även ger kostnadsförslag och reparerar våra produkter.

Förteckning över våra auktoriserade verkstäder finns på Internet, vår hemsida

www.blackdecker.se samt www.2helpU.com.

Andra trädgårdsredskap

Black & Decker AB har ett brett sortiment av verktyg för utomhusbruk som gör arbetet i trädgården enklare. Kontakta närmaste Black & Decker återförsäljare för ytterligare information eller besök vår hemsida www.blackdecker.se.

Mossrivare
Häcksaxar
Kedjesågar
Gräsklippare

Grästrimmare
Trädgårdsstädare
Kompostkvarnar

En del produkter är inte tillgängliga i alla länder.

CE-försäkran om överensstämmelse

**GF834/GF934/GF1034/
GF1234/GF1438/GF1838**

Black & Decker förklarar att dessa verktyg är konstruerade i överensstämmelse med:

98/37/EEG, 89/336/EEG, 73/23/EEG,
EN 55014, EN 60335, EN 61000,

2000/14/EEG, Gräsklippare, L ≤ 50 cm,
Annex VIII, No. 0086

B.S.I., HP2 4SQ, England

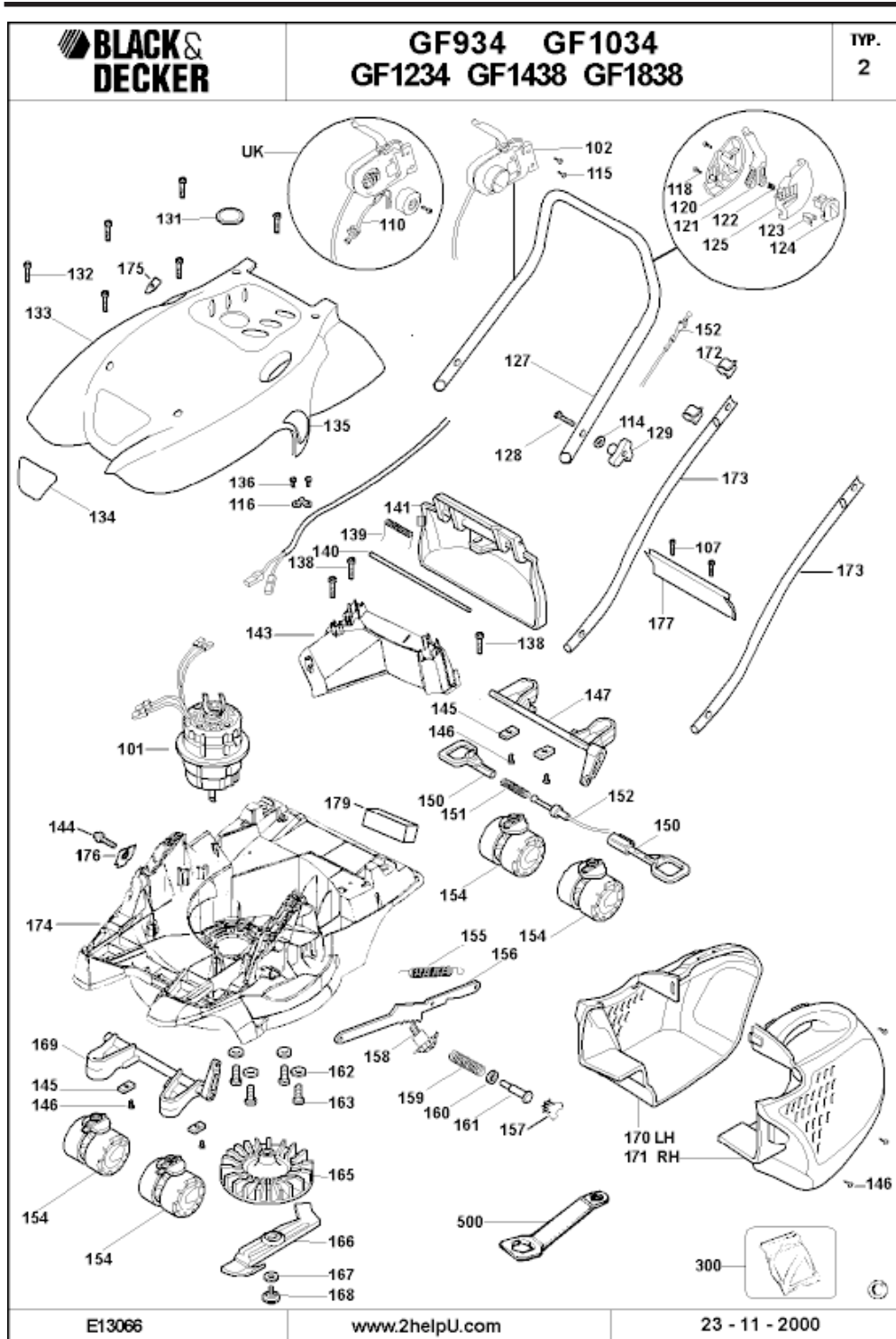
Ljudnivå, uppmätt enligt 2000/14/EEG:

L_{pA}	(ljudtryck)	dB(A)	79
L_{WA}	(ljudeffekt)	dB(A)	93
L_{WA}	(garanterad)	dB(A)	96

Det vägda geometriska medelvärdet av vibrationsfrekvensen enligt EN 50144: < 2,5 m/s²

Brian Cooke

Director of Engineering
Spennymoor, County Durham DL16 6JG,
United Kingdom
1-12-2001





Australia	DEWALT Industrial Power Tool Company 7 Clarice Road, Box Hill, Victoria 3128	Tel. 03 9895 9200 Fax 03 9899 7465
Belgique/België	Black & Decker (Belgium) N.V. Weihoek 1, 1930 Zaventem	Tel. 02/719.07.11 Fax 02/719.08.10
Danmark	Black & Decker Hejrevang 26B, 3450 Allerød Internet: www.blackdecker.dk	Tel. 70 20 15 10 Fax 48 14 13 99
Deutschland	Black & Decker GmbH Black & Decker Str. 40, D - 65510 Idstein	Tel. 06126/21 24 83 Fax 06126/21 26 01
Ελλάς	Black & Decker (Ελλάς) A.E. Στράβωνος 7 & Βουλιαγμένης 159 Γλυφάδα 16674, Ελλάδα	Τηλ. (01) 8981-616 Φαξ (01) 8983-570 Service (01) 8982-630
España	Black & Decker Spain Parque de Negocios "Mas Blau" Edificio Muntadas, c/Bergadá, 1, Of. A6 08820 El Prat de Llobregat (Barcelona)	Tel. 934 797 400 Fax 934 797 419
France	Black & Decker (France) S.A.S. B.P. 21, 69571 Dardilly Cédex	Tel. 04 72 20 39 20 Fax 04 72 20 39 00
Helvetia	Eduard Luggen Black & Decker-Service Schweiz Industriestrasse 1 / Postfach 323 8157 Dielsdorf	Tel. 01/854 01 01 Fax 01/854 02 02
Italia	Black & Decker Italia SpA Viale Elvezia 2 20052 Monza (MI)	Tel. 039-23871 Fax 039-2387592/2387594 Numero verde 800-213935
Nederland	Black & Decker (Nederland) BV Florijnstraat 10, 4879 AH Etten-Leur	Tel. 076-5082000 Fax 076-5038184
New Zealand	Black & Decker 81 Hugo Johnson Drive Penrose, Auckland, New Zealand	Tel. 09 579 7600 Fax 09 579 8200
Norge	Black & Decker (Norge) A/S Postboks 248, Leirdal, 1011 Oslo Internet: www.blackdecker.no	Tlf. 22 90 99 00 Fax 22 90 99 01
Österreich	Black & Decker Vertriebsges.m.b.H Erlaaerstraße 165, 1231 Wien	Tel. 01 66116-0 Fax 01 66116-14
Portugal	Black & Decker Rua Egas Moniz 173, 2766-651 S. João do Estoril	Tel. 214667500 Fax 214667575
South Africa	Black & Decker South Africa (Pty) Ltd Physical address: 39 Commerce Crescent Eastgate, ext. 12, Sandton, Kramerville 2148 Postal address: Postnet Suite 107, Private Bag X65 Halfway House 1685	Tel. (011) 653-1400 Fax (011) 653-1499
Suomi	Black & Decker Oy Palotie 3, 01610 Vantaa	Puh: (09) 825 4540 Fax: (09) 825 45 444
	Black & Decker Oy, Brandvägen 3, 01610 Vanda	Tel: (09) 825 4540 Fax: (09) 825 45 444
Sverige	Black & Decker AB Box 603, 421 26 Västra Frölunda, Besöksadr. Ekonomivägen 11	Tel: 031-68 60 00 Fax: 031-68 60 08
Türkiye	Black & Decker Merkez Servis Dudullu Cad. Kerembey Sok. No. 1 Küçükbakkalköy/İstanbul	Tel. 0216 455 89 73 Faks 0216 455 20 52
United Kingdom	Black & Decker 210 Bath Road Slough, Berkshire SL1 3YD	Tel. 01753 511234 Fax 01753 551155 Helpline 01753 574277



Part no. 577625-08



Forhandler adresse
Händleradresse
Διεύθυνση αντιπροσώπου
Address of dealer
Dirección del detallista
Cachet du revendeur
Indirizzo del rivenditore
Adres van de dealer
Forhandlerens adresse
Morada do revendedor
Jälle emmyjän osoite
Återförsäljarens adress

Inköpsdato
Kaufdatum
Ημερομηνία αγοράς
Date of purchase
Fecha de compra
Date d'achat
Data d'acquisto
Aankoopdatum
Inköpsdato
Data de compra
Ostopäivä
Inköpsdatum

Navn/Name/Όνομα/Nombre/Nom/
Nome/Naam/Navn/Nome/Nimi/Namn:

Adresse/Adresse/Διεύθυνση Address/
Dirección/Adresse/Indirizzo/Adres/Adresse/
Morada/Osoite/Address:

By/Wohnort/Πόλη/Town/Ciudad/Ville/Città/
Plaats/By/Localidade/Paikkakunta/By:

Postnr./Postleitzahl/Κωδικός/Postcode/
Code postal/Código/Codice postale/Postcode/
Postnr./Código postal/Postnummero/Postnr.:

Er maskinen en gave?/Ist diese Maschine ein
Geschenk?/Η μηχανή είναι δωρό?/Is this
product a gift?/Ha recibido usted esta
herramienta como regalo?/S'agit-il d'un
cadeau?/Si tratta di un regalo?/Kreeg u deze

machine cadeau?/Er maskinen en gave?/
Recebeu esta ferramenta como presente?/
Onko kone lahja?/Ár maskinen en gáva?

Ja/Ja/Ναι/Yes/Si/Oui/Sì/Ja/Ja/Sim/
Kyllä/Ja
 Nej/Nein/Όχι/No/Non/No/Nee/Nei/
Nao/Ei/Nej

Hvor meget kostede maskinen?/Was war der
Preis dieses Werkzeuges?/Ποιά είναι η τιμή
του εργαλείου αυτού?/What was the price of
this tool?/¿Cuál fue el precio de esta
herramienta?/Prix payé?/Quanto ha pagato
questo prodotto?/Wat was de prijs van dit
product?/Hvor meget kostet maskinen?/Que
preço pagou por esta ferramenta?/Paljonko
kone maksoi?/Hur mycket kostade maskinen?

Er dette din første B&D maskine?/Ist dieses
Werkzeug-/Eivai to epivalio autó-/Is this tool-
/¿Es esta herramienta que comprado-/Est-ce-/
Questo prodotto è-/Is deze machine-/Er dette
din første B&D maskin?/Esta ferramenta é-/
Onko tämä ensimmäinen B&D-koneesi?/
Är detta Din första B&D-velu?

Ja/ein Erstkauf?/η πρώτη σας αγορά?/
your first purchase?/la primera de
este tipo?/un ler achat?/il suo primo
acquisto?/uw eerste aankoop?/Ja/a
sua primeira compra?/Kyllä/Ja

Nej/Ersatzkauf?/για αντικατάσταση?/a
replacemant?/un reemplazo?/un
achat de remplacement?/una
sostituzione?/een vervanging?/Nei/
uma substituição?/Ei/Nej

Forhandler adresse/Händleradresse/Διεύθυνση
αγτιπροσώπου/Address of dealer/Dirección del
detallista/Cachet du revendeur/Indirizzo del
rivenditore/Dealeradres/Forhandlerens
adresse/Morada do revendedor/Jälle emmyjän
osoite/Återförsäljarens adress:

• Venligst sæt kryds i ruden såfremt De
ikke måtte ønske at modtage information
fra anden virksomhed end Black & Decker.

• Bitte ankreuzen, falls Sie weiteres
Informationsmaterial von Black & Decker
erhalten möchten. • Παράκαλεσθε να
σημειώσετε εάν δεν θέλετε να λάβετε
πληροφορίες άλλης εταιρείας εκτός της
Black & Decker. • Señale en la casilla sino quiere
box if you prefer not to receive information from
us or others. • Señale en la casilla sino quiere
recibir información de otras empresas. • S'ivous
ne souhaitez pas recevoir d'informations de la
part d'autres sociétés que Black & Decker,
cochez cette case. • Barrate la casella se non
desiderate ricevere informazioni da altre
aziende. • A.u.b. dit vakje aankruisen indien u
geen informatie wenst te ontvangen van andere
bedrijven dan Black & Decker. • Venligst kryss
avdersom De ikke ønsker informasjon fra andre
bedrifter enn Black & Decker. • Por favor,
assinale com uma cruz se desejar receber
informação de outras empresas, além da
Black & Decker. • Merkitkää rasti ruutuun, mikäli
ette halua vastaanottaa informaatiota muulta
taholta kuin Black & Deckeriltä. • Vänligen,
kryssa för i rutan om Ni inte vill ha information
från andra företag än Black & Decker.

Cat. no. GF834/GF934/GF1034
GF1234/GF1438/GF1838



**• GARANTI KORT • GARANTIEKARTE • ΚΑΡΤΑ ΕΓΓΥΗΣΗΣ • GUARANTEE CARD • TARJETA DE GARANTÍA • CARTE DE GARANTIE
• TAGLIANDO DI GARANZIA • GARANTIE-KAART • GARANTI KORT • CARTÃO DE GARANTIA • TAKUKORTTI • GARANTIBEVIS**



Australia Call 1900 937766 (max. call charge \$2.00 ex. tax)
Belgique/België Weirhoeek 1, 1930 Zaventem
Danmark Hejrevang 26B, 3450 Allerød
Deutschland Black & Decker Str: 40, D-65110 Idstein
Ελλάς Black & Decker Ελλάδα, Συγγρού 154, 17671 Καλλιθέα
España 43883 Roda de Barà (Tarragona)
France BP21, 69571 Dardilly Cedex
Helveita Rütistrasse 14, 8952 Schlieren, Schweiz/Suisse
Italia Viale Elvezia 2, 20052 Monza (MI)

Nederland Florijnstraat 10, 4879 AH Etten-Leur
New Zealand Call 0900 97766 (max. call charge \$2.00 ex. tax)
Norge Strømsveien 344, 1081 Oslo
Österreich Erlaerer Straße 165, 1231 Wien
Portugal Rua Egas, Moniz 173, S. João do Estoril, 2768 Estoril Codex
South Africa Black & Decker, Suite 107, PN X65, Halfway Hse, 1685
Suomi Black & Decker Oy, Rälssitie 7C, 01510 Vantaa
Sverige Box 603, 421 26 Västra Frölunda
UK & Ireland PO Box 821, Slough, Berkshire, SL1 3AR



Danmark Venligst klip denne del ud og send frankeret til Black & Decker i dit land.
Deutsch Bitte schneiden Sie diesen Abschnitt ab, stecken ihn in einen frankierten Umschlag und schicken ihn direkt an die Black & Decker Adresse Ihres Landes.
Ελληνικά Παρακαλώ κόψτε αυτό το κομμάτι και τοχυθροήστε το αμέσως μετά την αγορά του προϊόντος σας στην διεύθυνση της Black & Decker στην Ελλάδα (βλέπε πάνω).
English Please complete this section immediately after the purchase of your product and post it to the Black & Decker address in your country (above).
Español Después de haber comprado su herramienta envíe usted, por favor, esta tarjeta a la central de Black & Decker en su país.
Français Découpez cette partie et envoyez-la sous enveloppe timbrée à l'adresse de Black & Decker dans votre pays (voir ci-dessus), ceci immédiatement après votre achat.



Italiano Per favore ritagliate questa parte, inseritela in una busta con francobollo e spedite la subito dopo l'acquisto del prodotto all'indirizzo della Black & Decker nella vostra nazione (vedi sopra).
Nederlands Knip dit gedeelte uit, zend het in een gefrankeerde, geaddresseerde enveloppe direct na uw aankoop naar het Black & Decker-adres in uw land (zie boven).
Norge Vennligst klipp ut denne delen umiddelbart etter du har pakket ut ditt produkt og legg det i en adressert konvolutt til Black & Decker (Norge) A/S (se adresse over).
Português Por favor, recorte esta parte, coloque -a num envelope selado e endereçado e envie-o logo após a compra do seu produto para o endereço da Black & Decker do seu país.
Suomi Leikkaa irti tämä osa, laita se ohitseeseen kuoreen ja postita kuori yllä olevaan paikalliseen Black & Decker osoitteeseen.
Sverige Var vänlig klipp ur denna del. Skriv Ditt namn och adress på ett frankerat kuvert, och sänd det genast till Black & Deckers adress i Ditt land (se ovan).

